



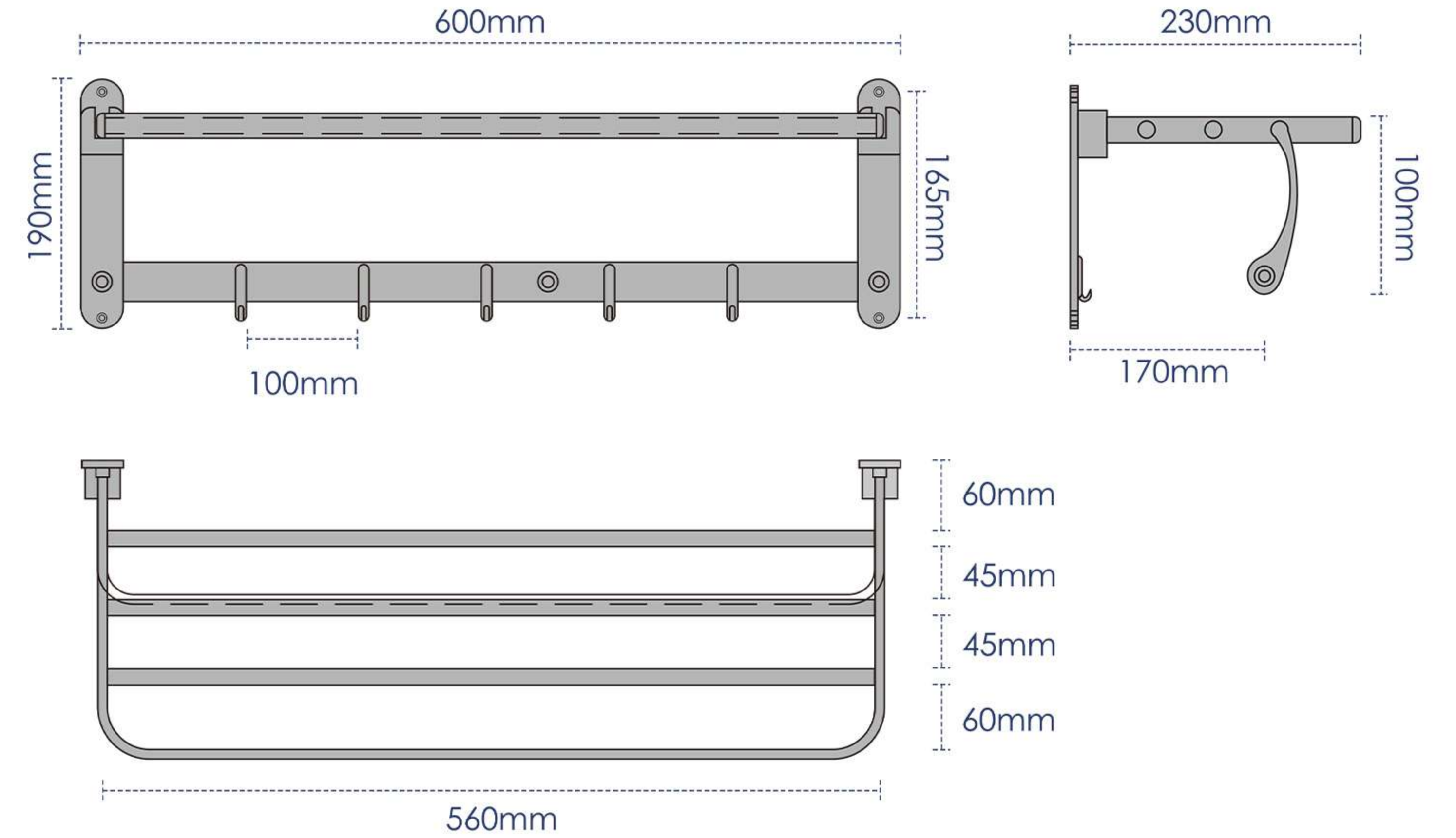
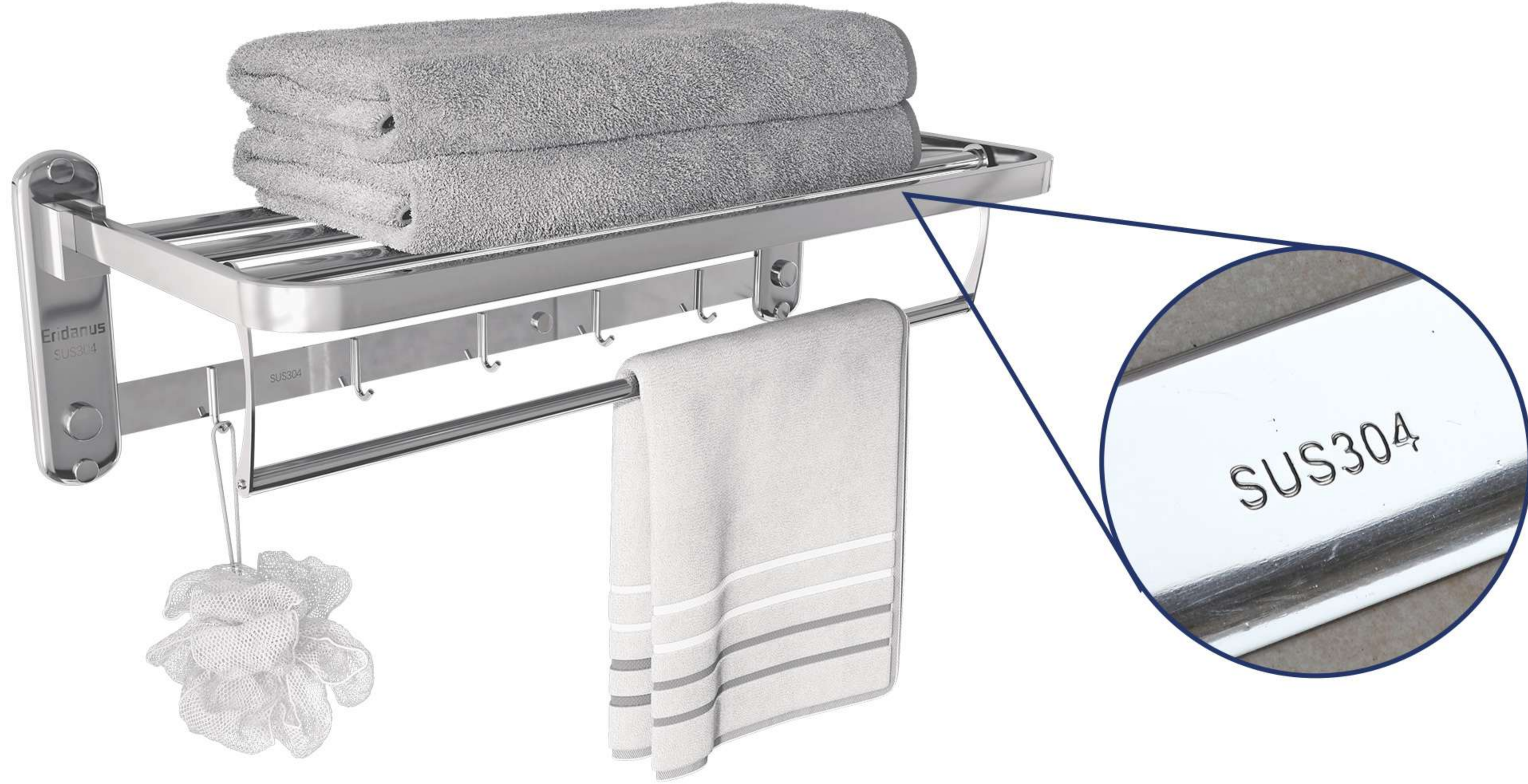
ERIDANUS®

Kitchen & Bath Connoisseur

Bathroom Towel Rack

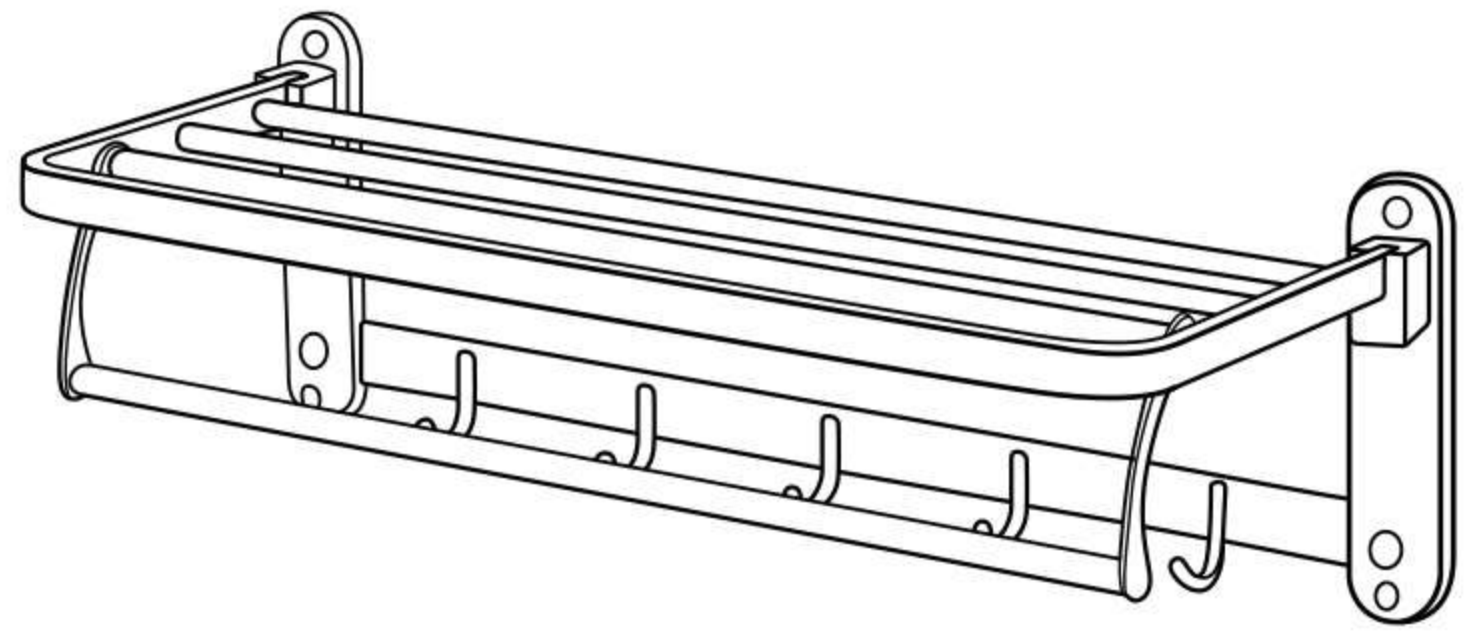
ERI-ACC-001





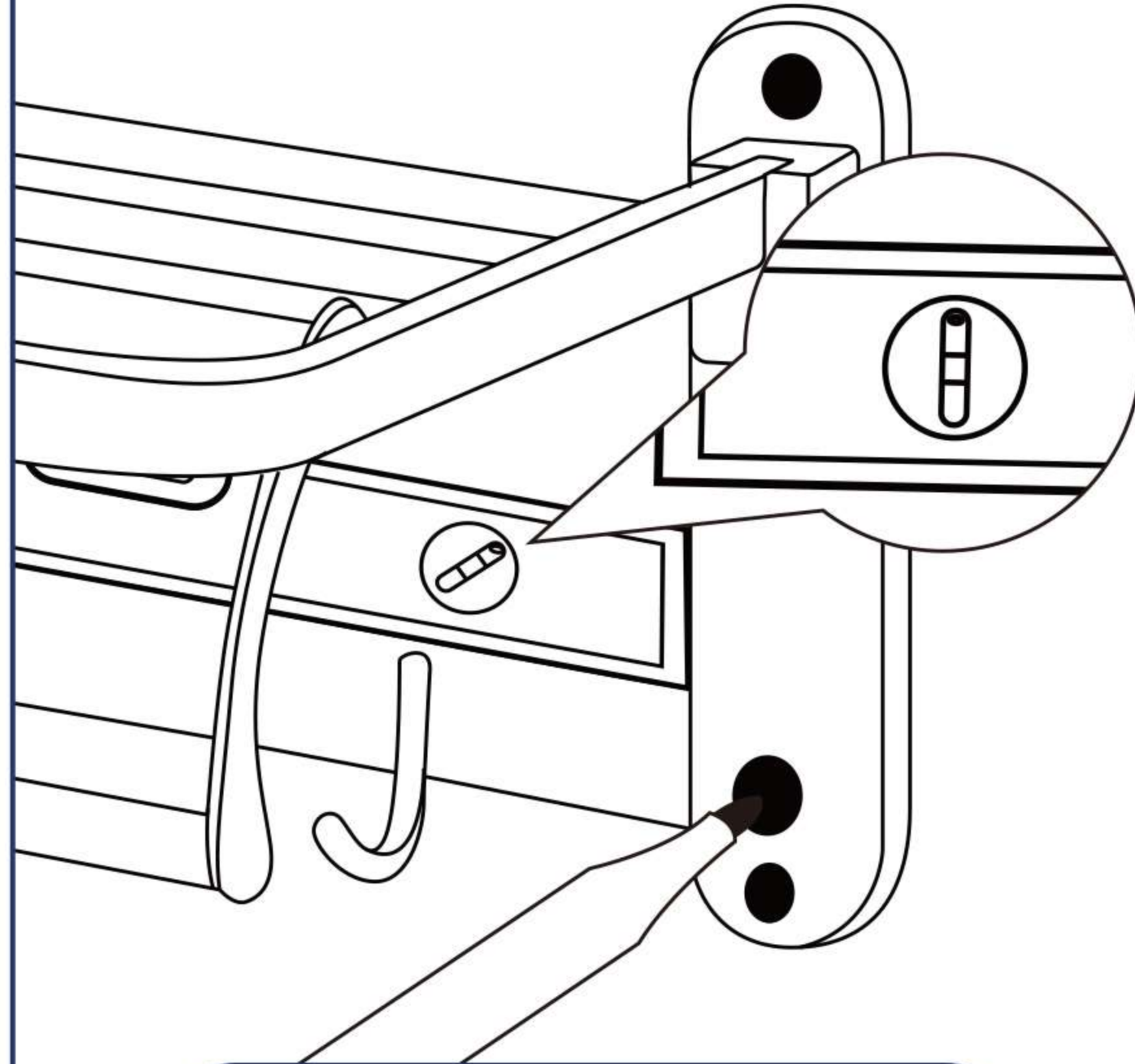
Product Specifications

Installation Notes



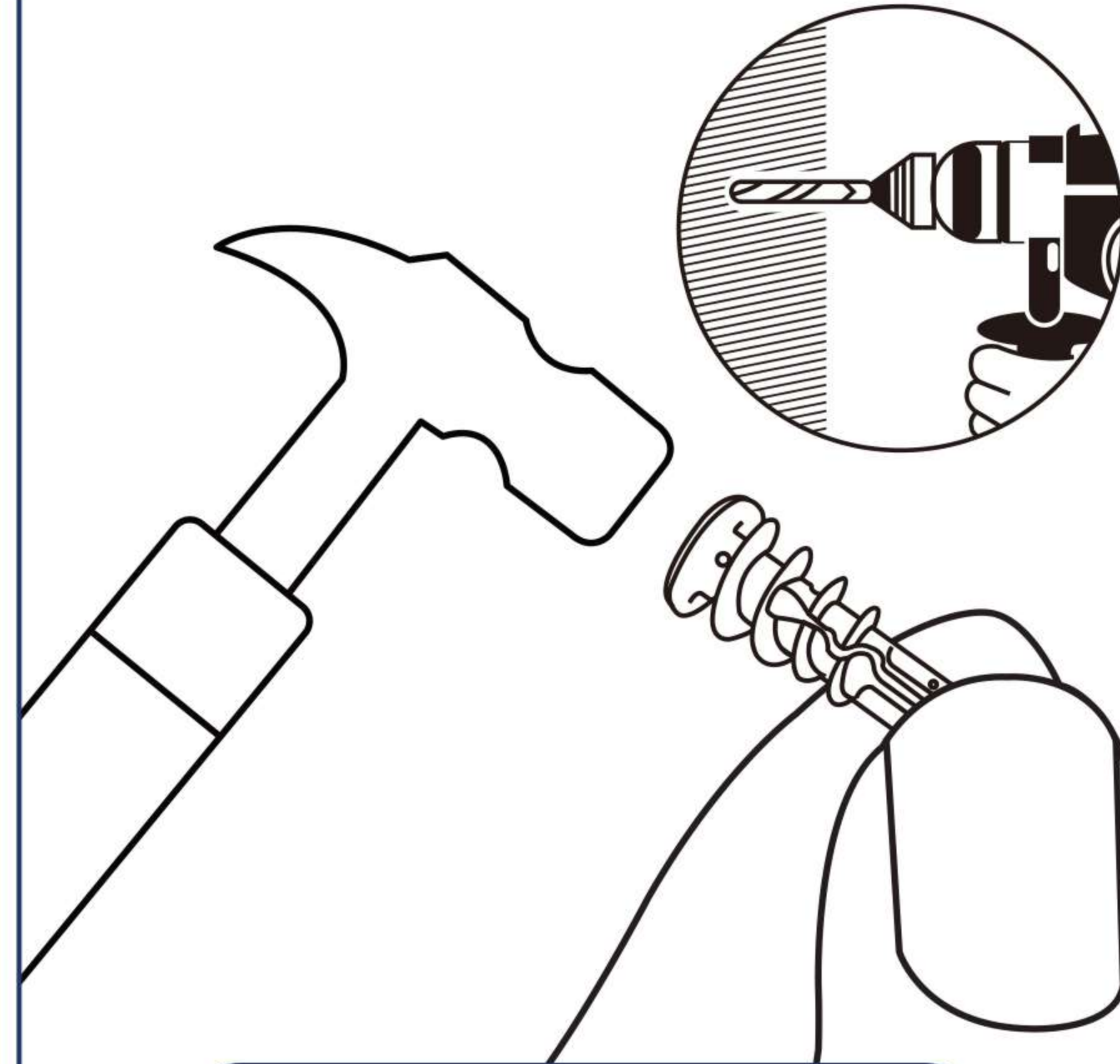
Step 1: Gather Tools

Collect towel rack components, screws, screwdriver, and a spirit level.



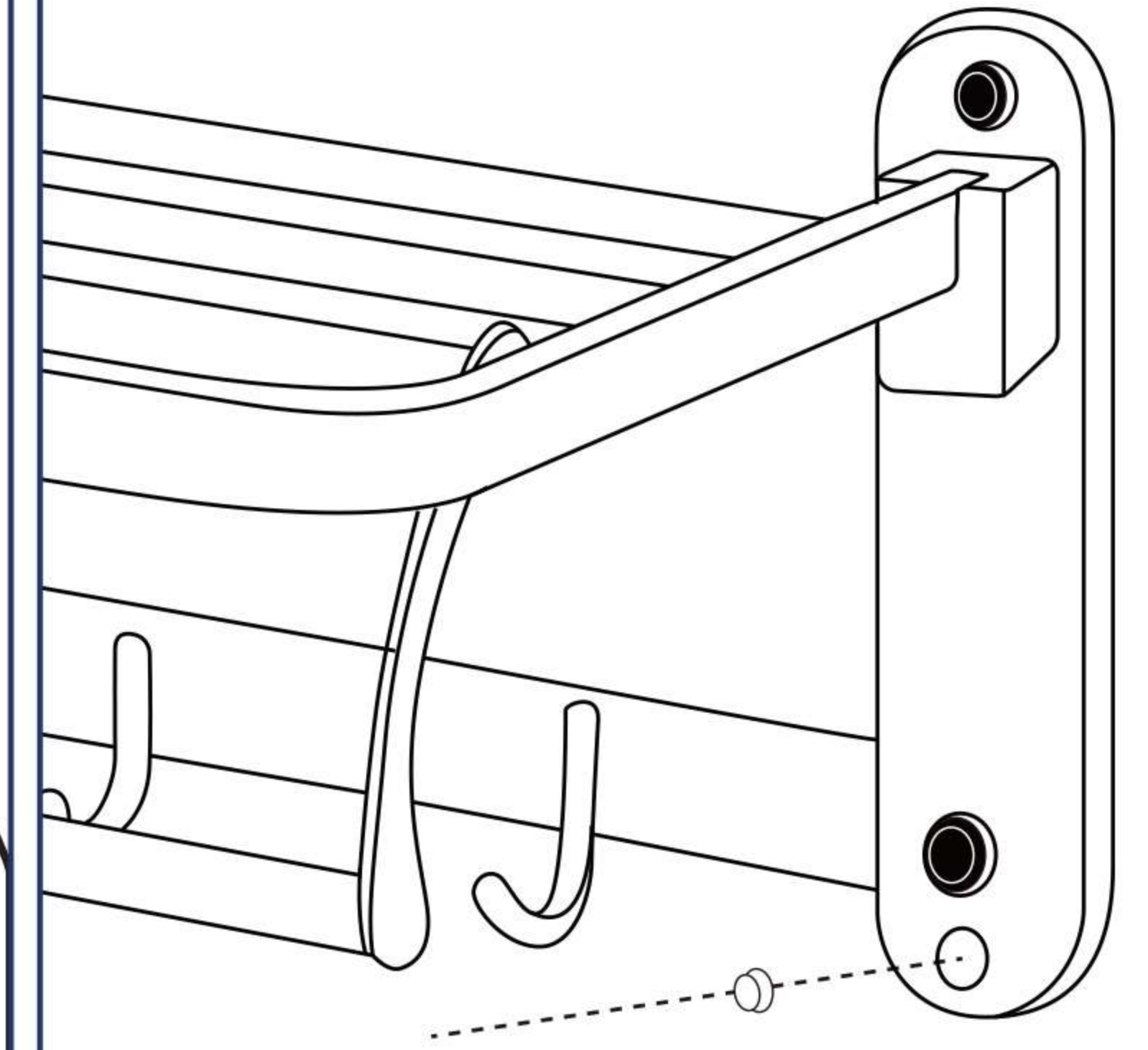
Step 2: Choose Location

Select a suitable location, use the level to mark a straight and desired height.



Step 3: Attach Wall Anchors

Drill holes and secure wall anchors to marked spots, ensuring they are level and tightly fastened.



Step 4: Install Towel Rack

Using the provided screws, secure the rack by aligning the slots or holes. Confirm stability and levelness before finalizing the installation.