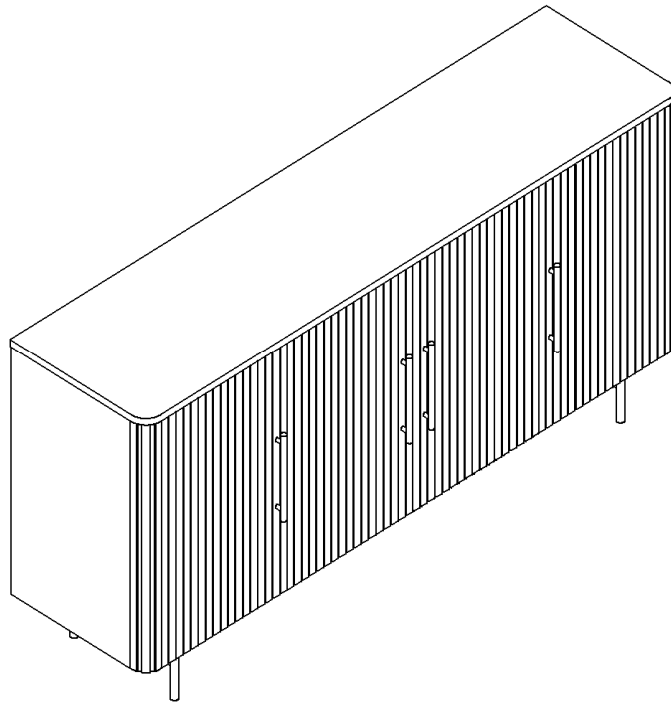


## 71" Media Console

### ASSEMBLY INSTRUCTIONS



**Assembly Time: 15 minutes**



**Number of People: 02**

**IMPORTANT SAFETY INSTRUCTIONS:**

- Read all instructions carefully before unpacking assembly parts. Sharp, exposed staple tips can cause injury. For your protection, please remove any exposed staples used in packing.
- For your safety, assembly by two or more adults is recommended.
- Use only vendor supplied hardware to assemble. Using unauthorized hardware could jeopardize the structural integrity of the item.
- Keep instructions for future use.
- Intended for residential use only.
- Keep small parts and hardware out of the reach of children.

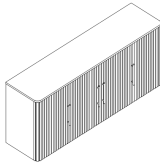
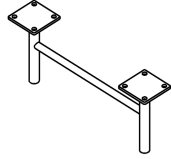
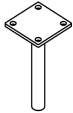
**PRE-ASSEMBLY INSTRUCTIONS:**

- Remove all parts and hardware from the box and place them on a carpeted or scratch-free work surface.
- complete.
- Prior to starting assembly, use the parts and hardware lists to identify and separate each of the pieces included.
- Do not over-tighten screws or bolts.

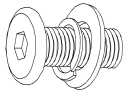

**TABLE OF CONTENTS**

<b>Parts List &amp; Hardware List</b>	<b>Page 3</b>
<b>Assembly Instructions</b>	<b>Page 4-6</b>
<b>Care &amp; Maintenance</b>	<b>Page 7</b>
<b>Warnings</b>	<b>Page 7</b>
<b>Caution</b>	<b>Page 7</b>


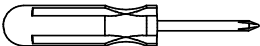
## PARTS LIST

PART #	PICTURE	PART DESCRIPTION	INTERNAL #	LOCATION	QTY
A		Console	N/A	Directly in the carton	1
B		Side Leg	N/A	Packed in a box and place in the carton	2
C		Center Leg	N/A	Packed in a box and place in the carton	1

## HARDWARE LIST

PART #	PICTURE	PART DESCRIPTION	LOCATION	QTY
1		$\phi 1/4"$ x10x 2mm Spring washer $\phi 1/4"$ x 16 x 1.5mm Flat washer $\phi 1/4"$ x 3/4"L Bolt	The hardware pack can be found in corner of carton	20 sets + 1
2		Furniture Metal Anti-Tip Hardware	Behind the Console	1 set

## TOOL LIST

PART #	PICTURE	PART DESCRIPTION	LOCATION	QTY
3		Ball End Hex Wrench #4 x 1-3/16" x 4-1/4"	The hardware pack can be found in corner of carton	1pc + 1
4		Phillips Screwdriver (NOT included)		

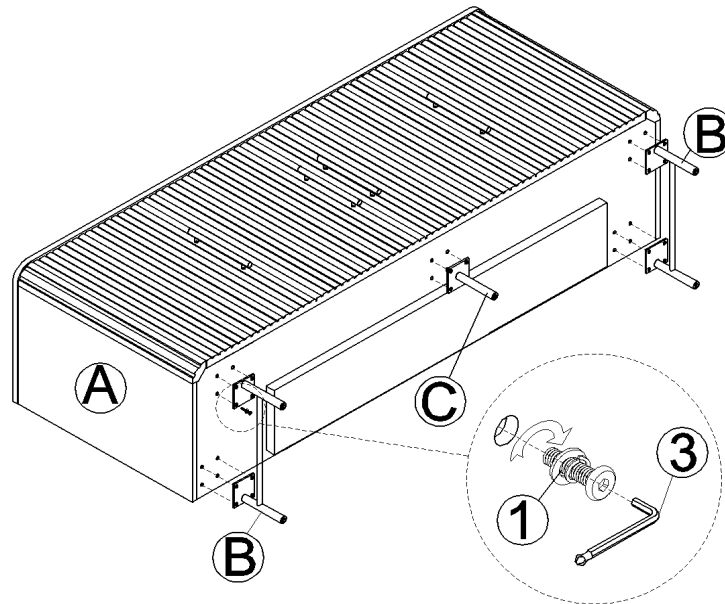
Phillips screwdriver also needed for assembly (not included).

*Thank you for your purchase. Be sure to check all packing material carefully for small parts which may have come loose inside the carton during shipment. Identify and count all parts and compare with the parts and hardware lists.*

## STEP 1

### Attach Leg frames , Center leg.

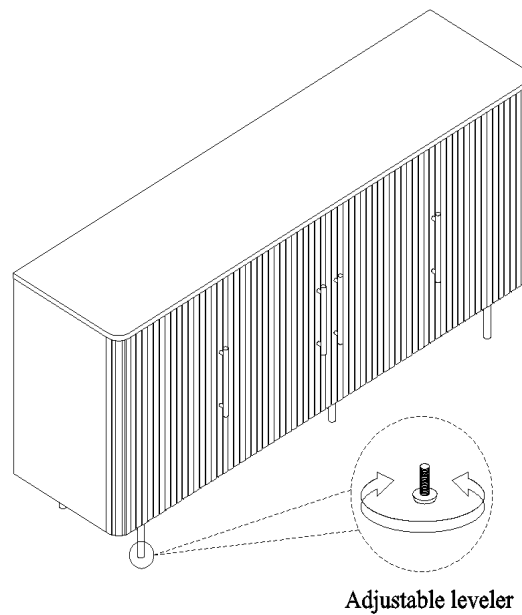
1. Flip the product face up onto the floor to assemble the legs  
Place Side Leg (B) & Center Leg (C) into the product, use Bolts, Flat Washers, Spring Washers (1) to connect, tighten with Ball End Hex Wrench (3).



## STEP 2

### Adjust leveler.

1. Turn the Console (A) on its side and adjust the levelers to make it balance on floor.  
If the floor is too unstable. Move the Console (A) to a flat position to ensure safety for the person using.



## STEP 3

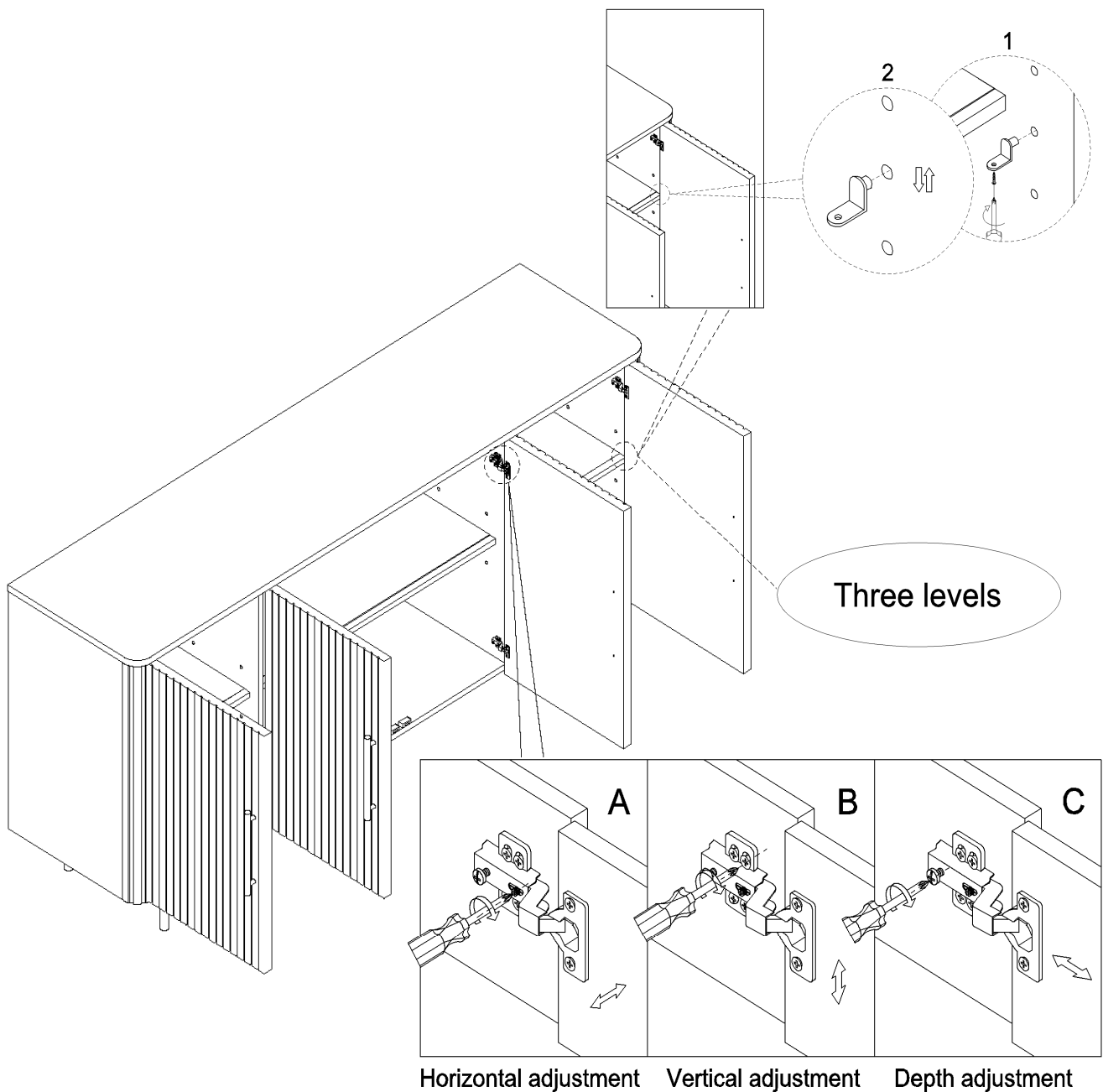
### Shelf adjustable:

The console adjustable shelf can be adjusted up and down with three levels:

1. To adjust the shelf, use a screwdriver to remove the screw on the shelf pin and lift it slightly and pull out the shelf pin. Repeat this for all the shelf pins until the shelves are aligned.
2. Choose the desired level by inserting all the shelf pins into the corresponding holes and adjust the shelf for balance.
3. Use a screwdriver to tighten all the screws into the shelf pin.

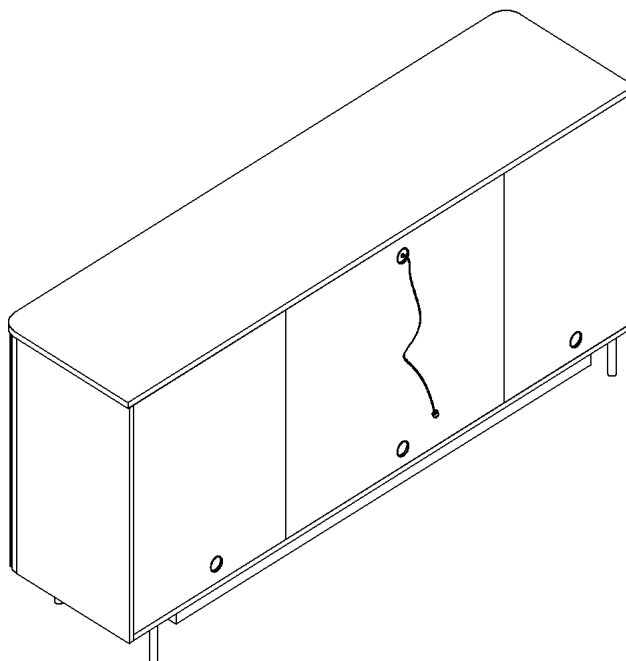
### Hinge adjustable

1. Loosen or tighten the indicated screw to adjust the door vertically or gaps forward and backward between doors and product.
2. Rotate the screw clockwise or counterclockwise to adjust the door horizontally as shown.



## STEP 4

### Install Metal Anti-tip hardware

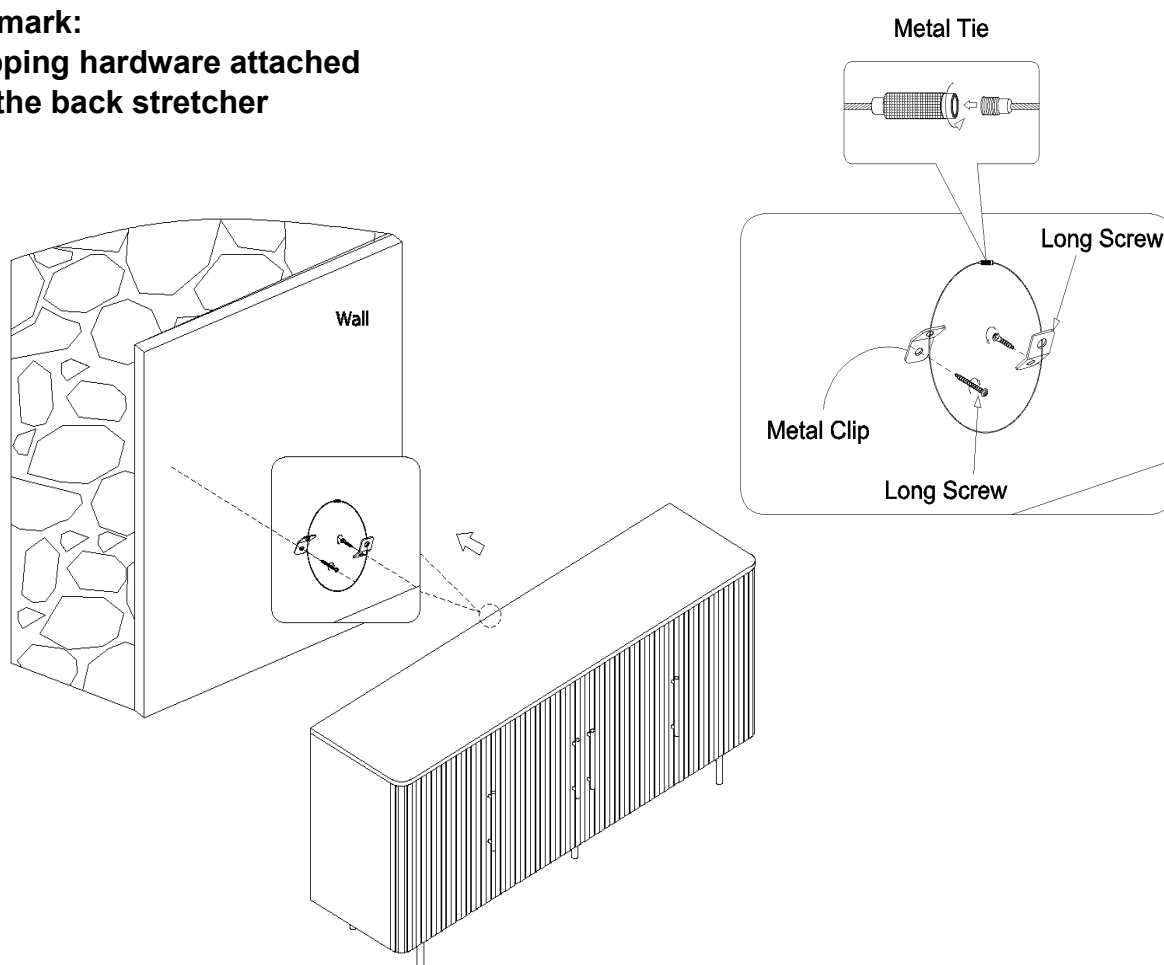


#### Attach Furniture Anti-Tip Device:

1. Use Long Screw to secure one Metal Clip to the wall.
2. Use Short Screw and Screwdriver (4) to secure secondary Metal Clip to the back of Console.
3. Put the male end of the Metal Tie through each Metal Clip. Securely connect both ends of the Metal Tie together by turning the female connector clockwise.

#### Remark:

#### Tipping hardware attached to the back stretcher





## CARE & MAINTENANCE



### Wood Care Tips

- Wood color can fade and/ or sun bleaching can occur when exposed to direct sunlight over a long period of time.
- Avoid placing your furniture in direct sunlight.
- Rearrange accessories over time to prevent spot bleaching.
- For daily maintenance, use clean and soft rags or cloths to wipe off dust on the surface along the grains.
- Never use damp rags or anything with a hard surface to rub onto the furniture.
- Always keep surfaces clear of any acid or chemical substances.
- To avoid damage refrain from stacking large and/or heavy objects on top of the furniture.
- Avoid cleaners which use chemical products. Many of these are harsh and not safe for use on upholstery.



## WARNING



- Do not use this product unless all screws and bolts are securely tightened.
- Check that all screws and bolts are secure every three months or as needed
- Dispose of packing material properly. Do not use plastic cover as head covering as it may cause suffocation.
- Do not use this product as a stepladder.
- Use this product for intended purpose only.
- Intended for residential use only.



## CAUTION



Changes or modifications not expressly approved by the party responsible for compliance could void the user's authority to operate the equipment.

Note: This equipment has been tested and found to comply with the limits for a Class B digital device, pursuant to part 15 of the FCC Rules. These limits are designed to provide reasonable protection against harmful interference in a residential installation. This equipment generates, uses and can radiate radio frequency energy and, if not installed and used in accordance with the instructions, may cause harmful interference to radio communications. However, there is no guarantee that interference will not occur in a particular installation. If this equipment does cause harmful interference to radio or television reception, which can be determined by turning the equipment off and on, the user is encouraged to try to correct the interference by one or more of the following measures:

- *Reorient or relocate the receiving antenna.*
- *Increase the separation between the equipment and receiver.*
- *Connect the equipment into an outlet on a circuit different from that to which the receiver is*
- *Consult the dealer or an experienced radio/TV technician for help.*

EYUE TECHNOLOGY CO., LTD

CUSTOMER SERVICE

1-800 990 9591

MADE IN CHINA

FABRIQUE EN CHINA

Email: [info@eyuetech.com](mailto:info@eyuetech.com)

Address:

5550 Painted Mirage Road,  
Las Vegas, NV 89149-4584