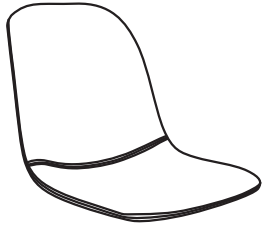
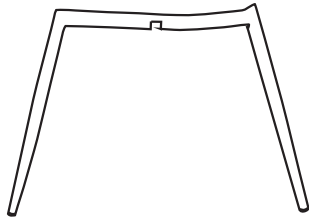


ASSEMBLY INSTRUCTION

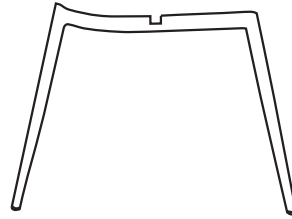
① x1



② x1



③ x1



④ x1



M6*30MM

⑤ x4

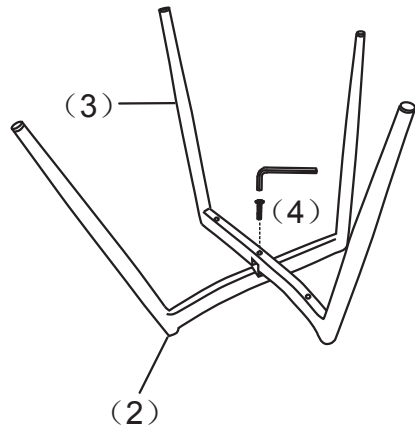


M6*45MM

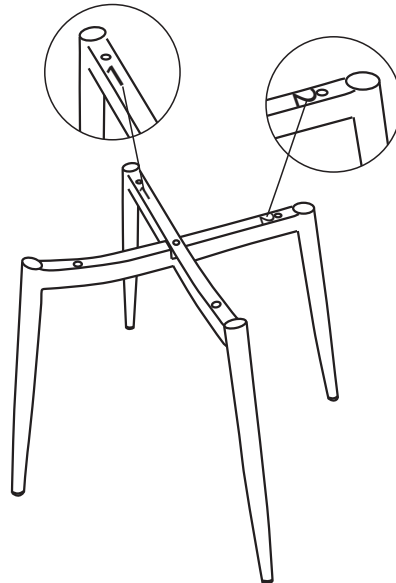
⑥ x1



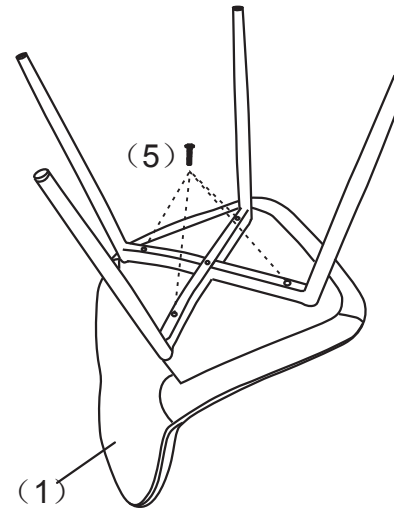
1



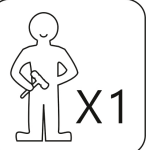
2



3



4



X1