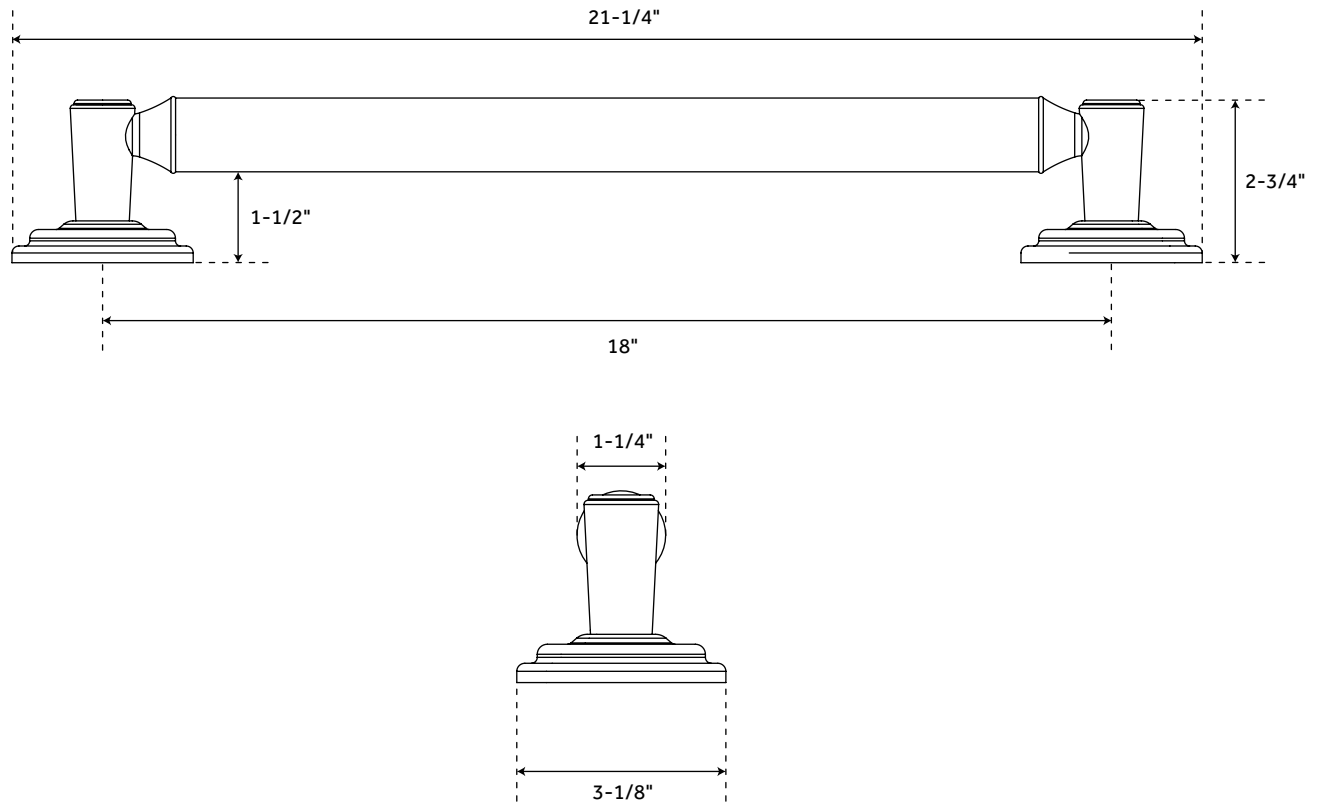


18" INGLEWOOD

GRAB BAR

SKU: 946575



FEATURES

Installation Type: Wall Mount
Design: Traditional
Material: Stainless Steel
Length: 21-1/4"
Height: 3-1/8"
Depth: 2-3/4"
Base Plate Diameter: 3-1/8"
Mounting Hardware Included: Yes
Mounting Hardware Concealed: Yes
Assembly Required: No
Weight Limit (lbs): 250
Grab bars must be anchored to solid wood blocking installed between studs. Not to be mounted on drywall, plaster, fiberglass, acrylic or other hollow-wall surface without appropriate backing support.

CODES/STANDARDS

ADA compliant (when installed according to ADA standards)

SIGNATURE HARDWARE LIFETIME WARRANTY

See website for warranty information



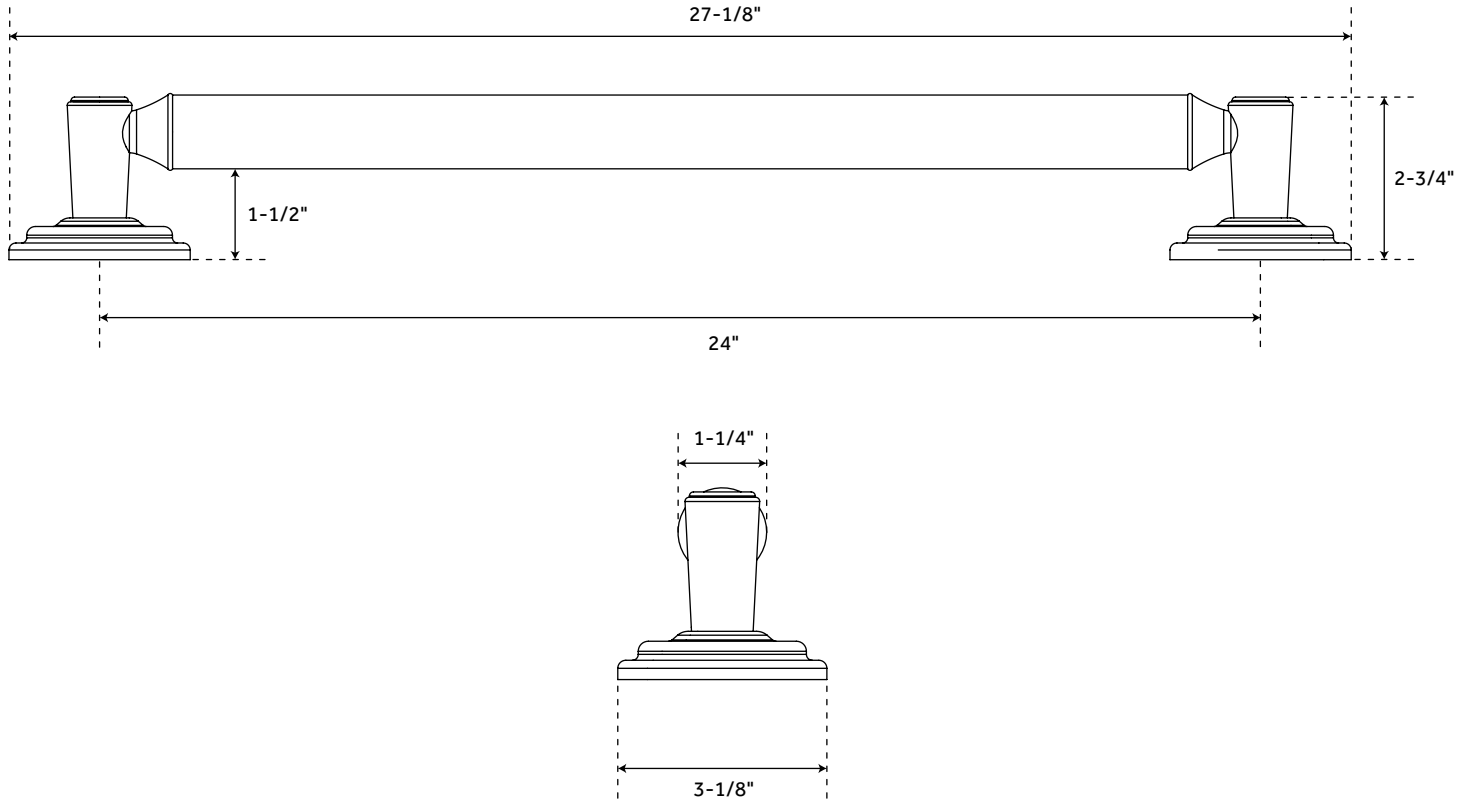
All dimensions and specifications are nominal and may vary. Use actual products for accuracy in critical situations.

REVISED 1/13/2020
Code: SHGB18TCP/BN/PN/ORB,
SHGB24TCP/BN/PN/ORB

24" INGLEWOOD

GRAB BAR

SKU: 946575



FEATURES

Installation Type: Wall Mount
Design: Traditional
Material: Stainless Steel
Length: 27-1/8"
Height: 3-1/8"
Depth: 2-3/4"
Base Plate Diameter: 3-1/8"
Mounting Hardware Included: Yes
Mounting Hardware Concealed: Yes
Assembly Required: No
Weight Limit (lbs): 250
Grab bars must be anchored to solid wood blocking installed between studs.
Not to be mounted on drywall, plaster, fiberglass, acrylic or other hollow-wall surface without appropriate backing support.

CODES/STANDARDS

ADA compliant (when installed according to ADA standards)

SIGNATURE HARDWARE LIFETIME WARRANTY

See website for warranty information



All dimensions and specifications are nominal and may vary. Use actual products for accuracy in critical situations.

REVISED 1/13/2020
Code: SHGB18TCP/BN/PN/ORB,
SHGB24TCP/BN/PN/ORB