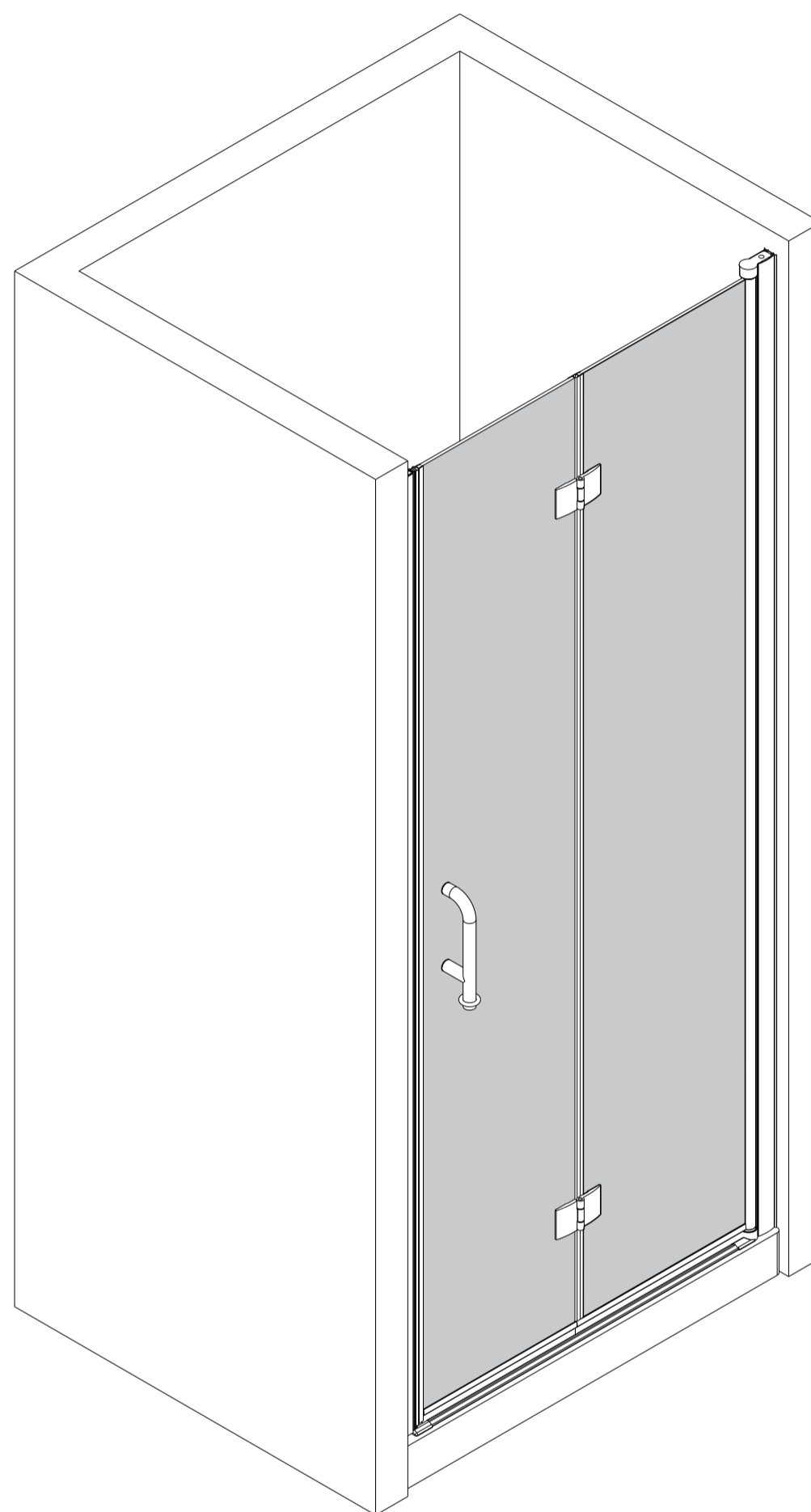
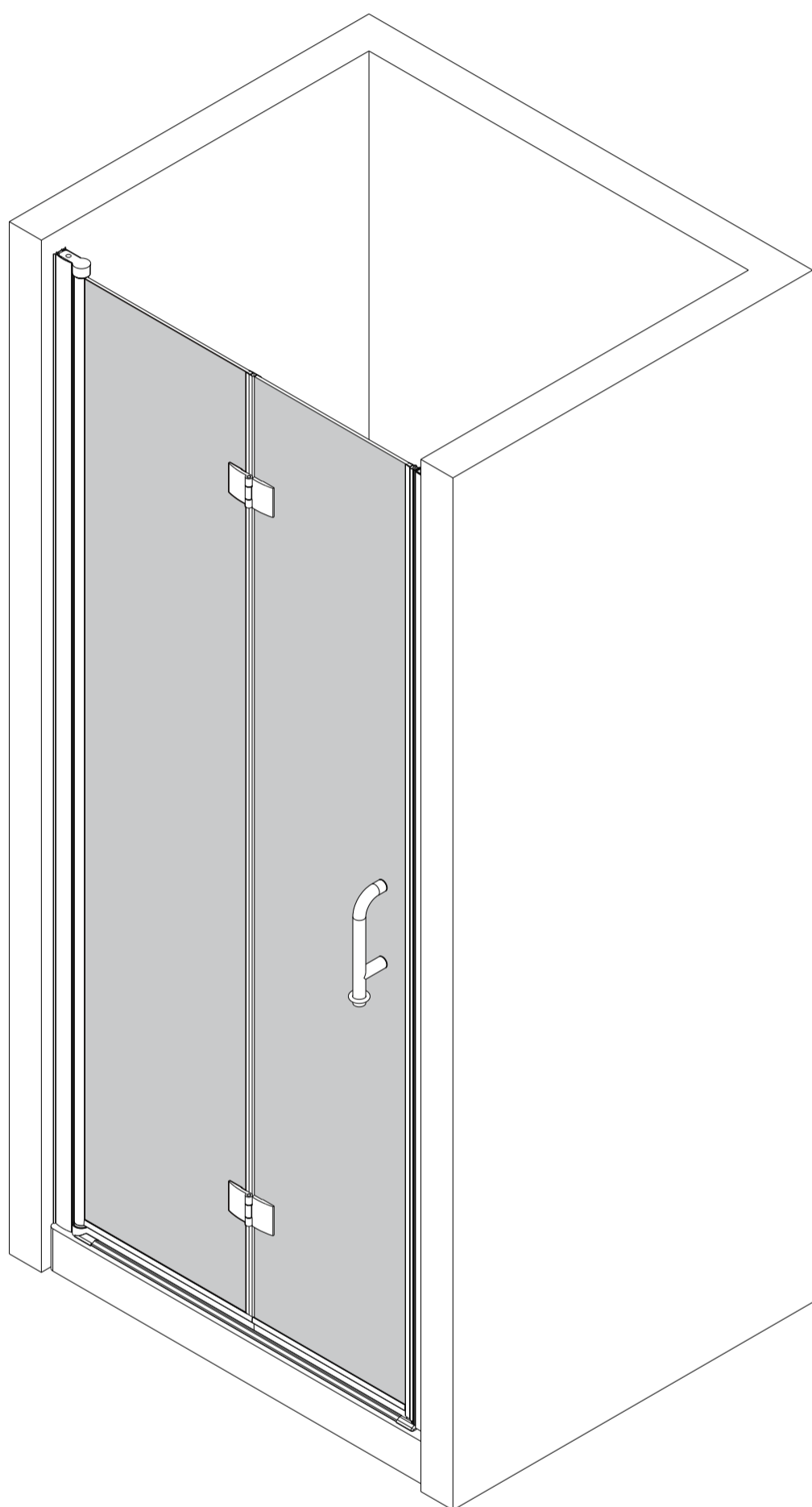


Serial Number: SDP02-22

## Shower Door Installation Instructions



**Reversible For a Left or Right Door**

**Please Do Not Return the Product to the Store.  
Contact us with any questions.**

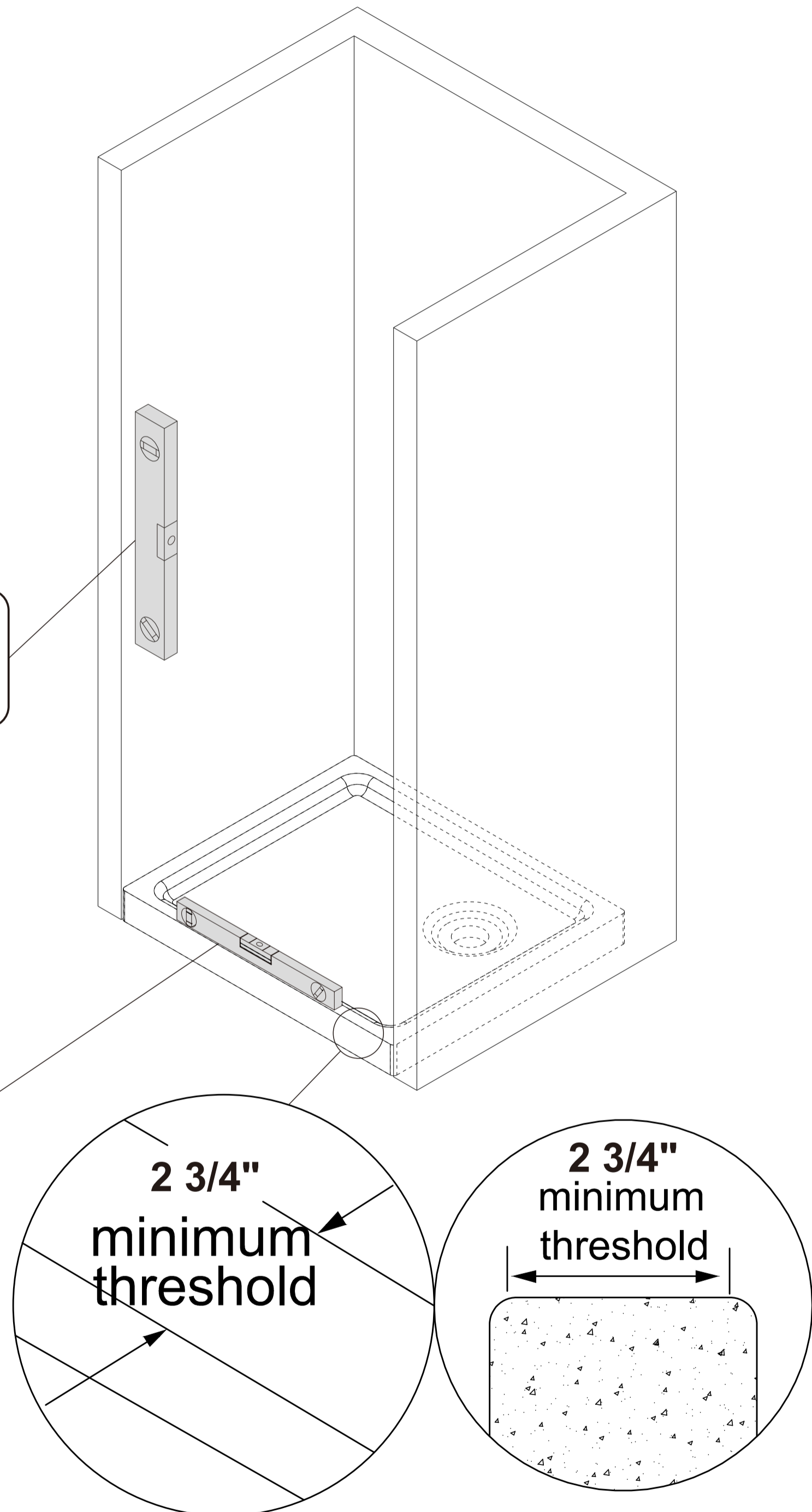
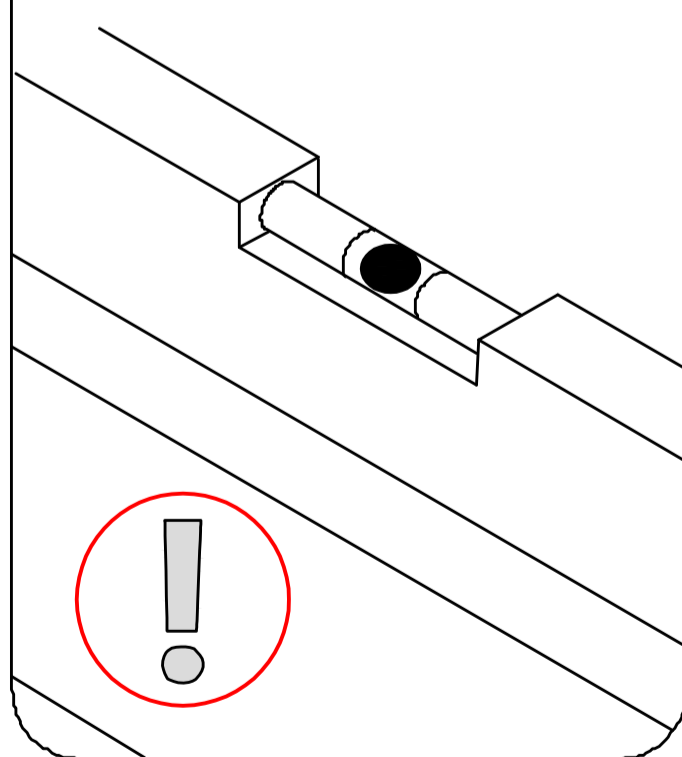
## Model Specific Preparation

 **REQUIRED:**

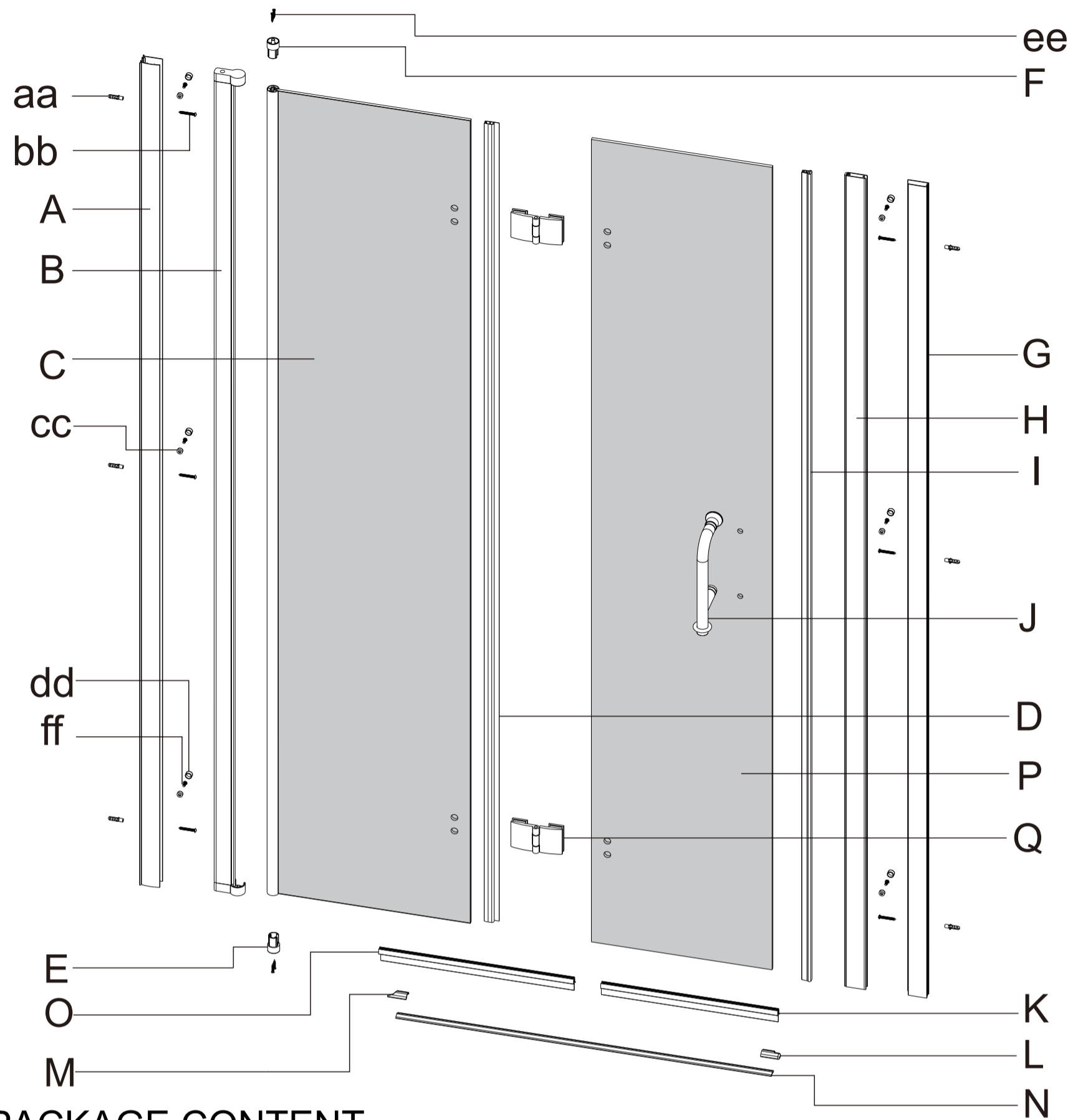
Verify threshold and wall with a level.

1/4"(6mm) Maximum out of plumb adjustment from top to bottom

Threshold must be level.



PACKAGE CONTENT



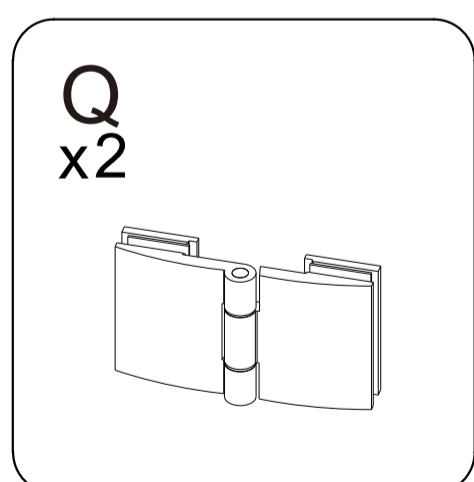
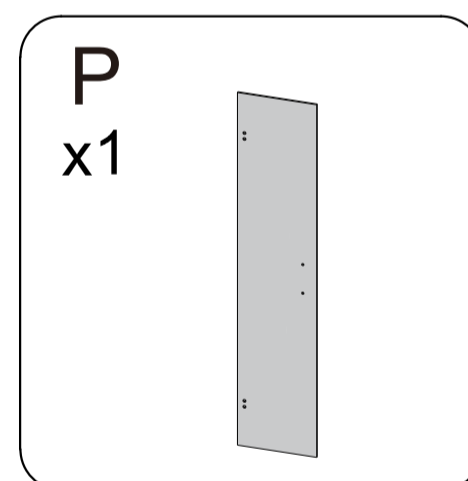
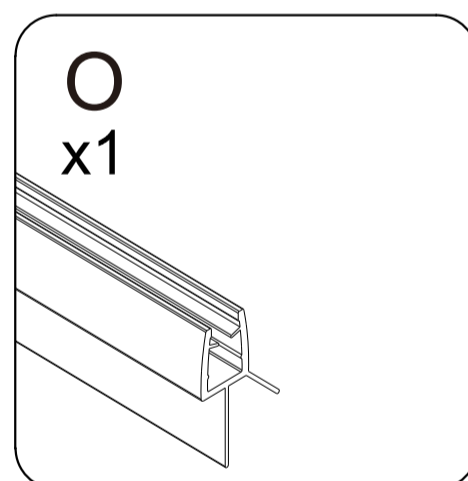
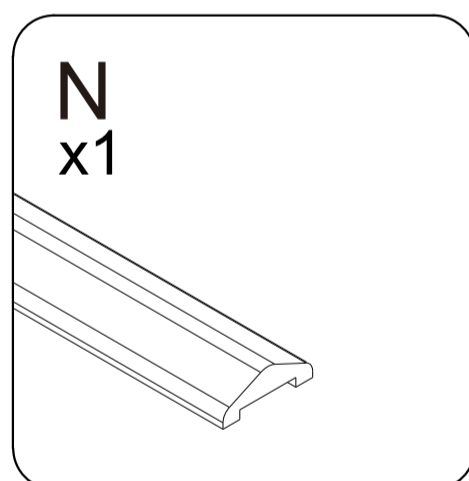
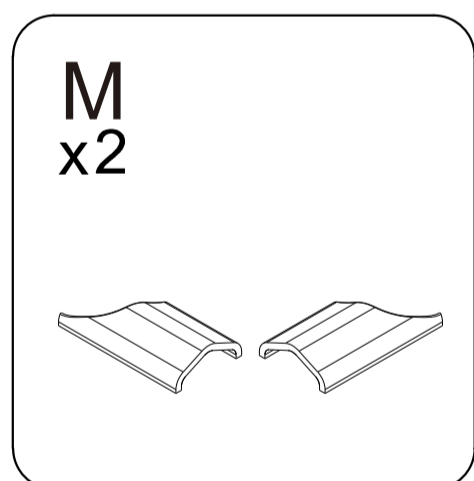
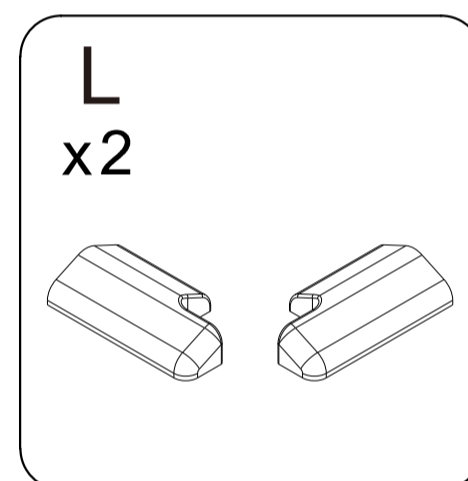
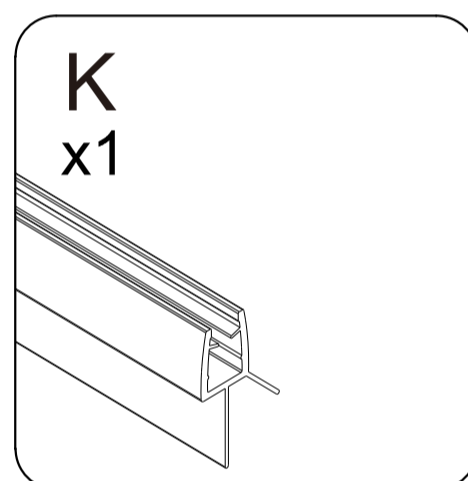
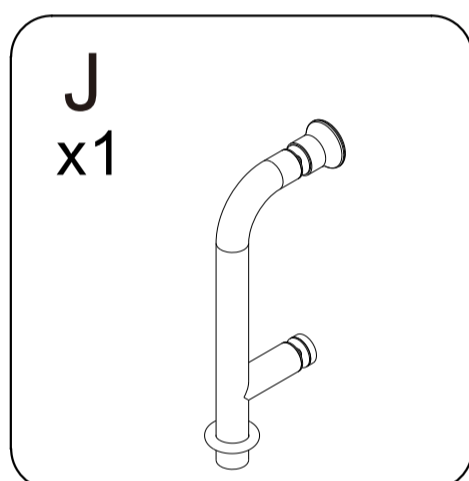
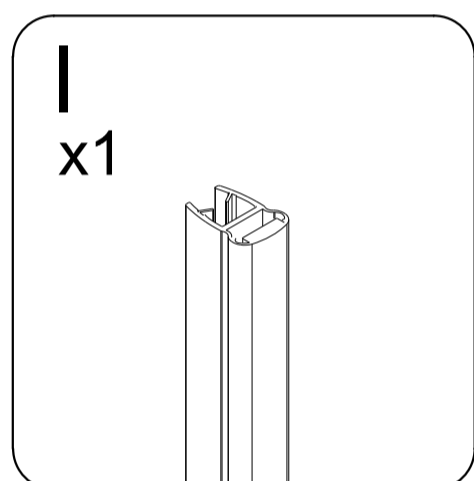
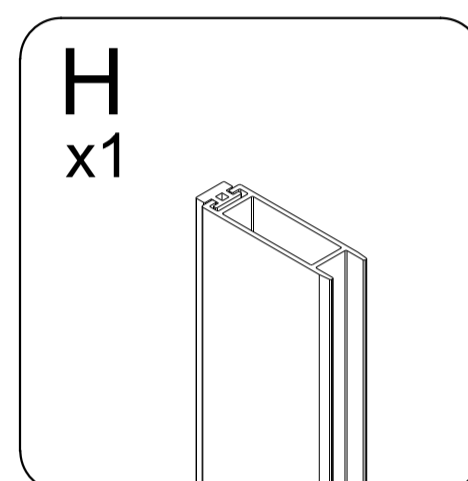
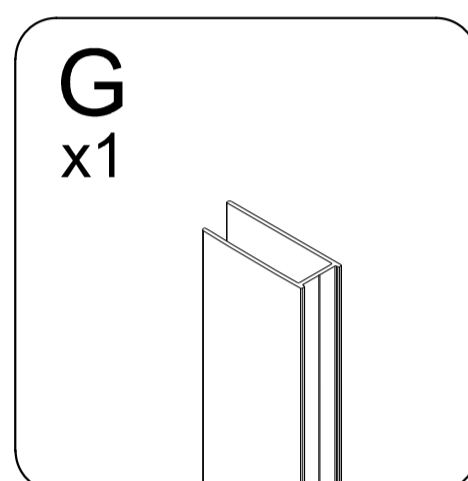
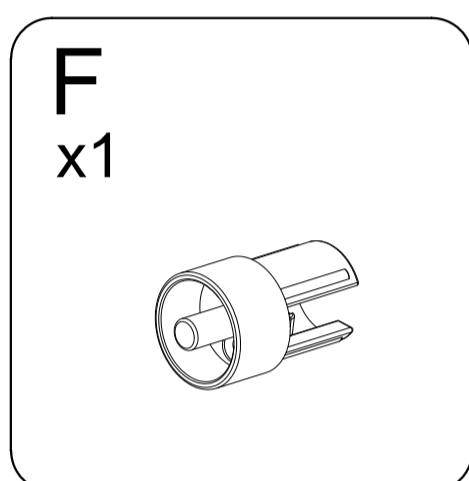
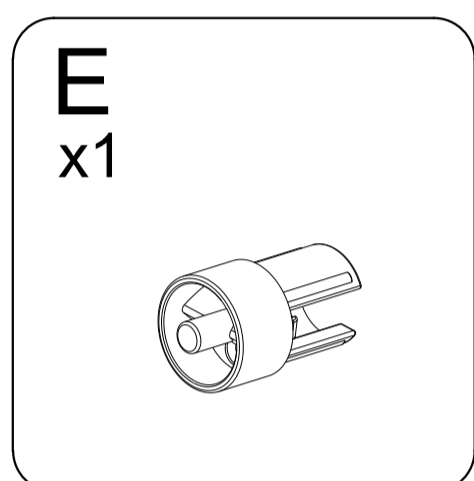
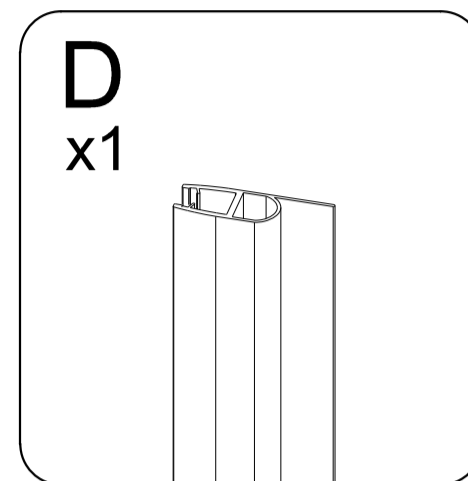
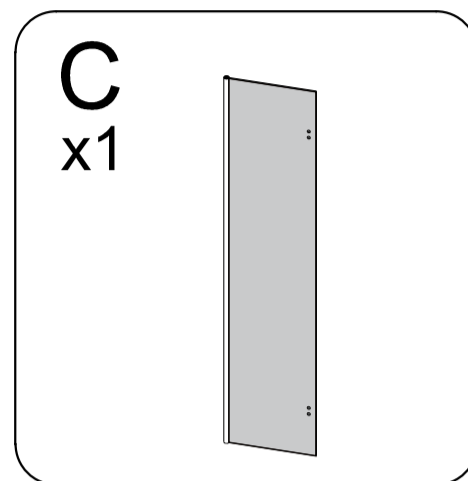
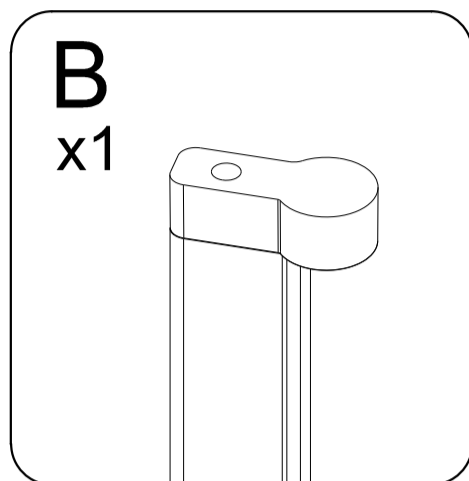
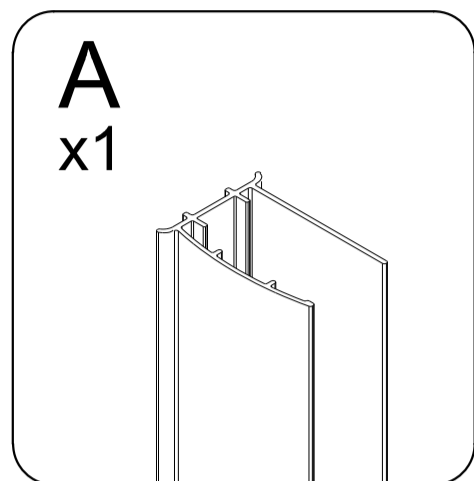
PACKAGE CONTENT

PART#	DESCRIPTION	QTY	PART#	DESCRIPTION	QTY
A	Wall Jamb	1	J	Handle	1
B	Upright Profile	1	K	Bottom Anti-Water Strip	1
C	Stationary Glass	1	L	Connector	2
D	Anti-Water Strip	1	M	Connector	2
E	Bottom pivot sleeve	1	N	Alu. Threshold	1
F	Top pivot sleeve	1	O	Bottom Anti-Water Strip	1
G	Wall Jamb	1	P	Glass Door	1
H	Alu.Extrusionw/ magnet strip	1	Q	Hinge	2
I	Magnetic Strip	1			



Inspect all parts for missing prior to installation!  
Contact us for any part missing.

PACKAGE CONTENT

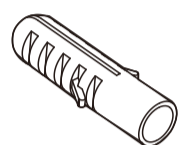


## HARDWARE CONTENT



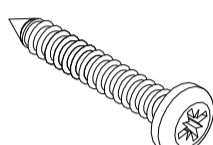
Additional spare parts are included.

aa



Wall anchor  
Ø6x28mm  
7 pcs

bb



Screw  
ST4X35mm  
7 pcs

cc



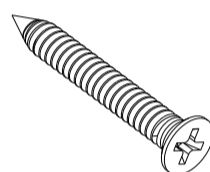
Washer  
Φ10XΦ5X1.0  
6 pcs

dd



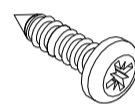
Screw cap  
6 pcs

ee



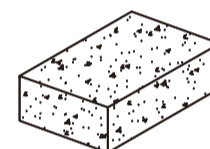
Screw  
ST3X20mm  
5 pcs

ff



Metric Screw  
ST4X12mm  
6 pcs

gg



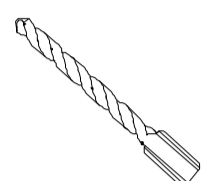
Plastic spacer  
20mm(3/4")  
1 pcs

NOTE

Inspect all parts for missing prior to installation!  
Contact us for any part missing.

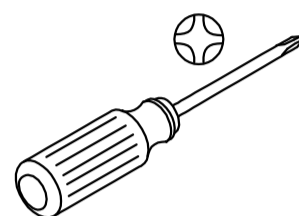
TOOLS REQUIRED

Drill Bits

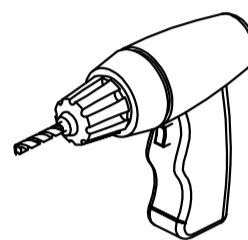


3.2/6mm dia.  
HSS

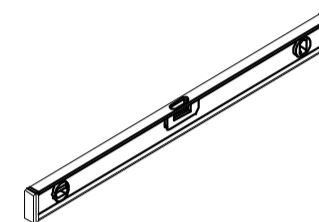
Screw Driver



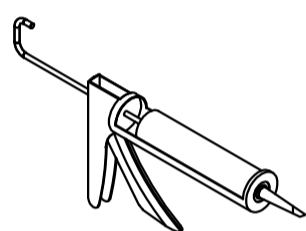
Drill



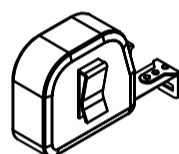
Level



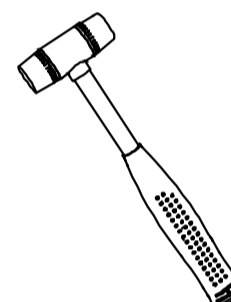
Silicone



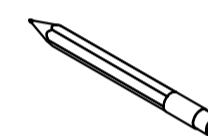
Measuring Tape



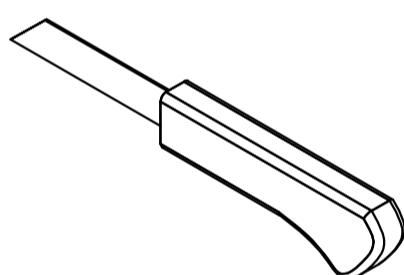
Soft Head  
Hammer



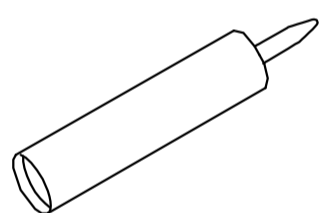
Pencil



Knife



Sealant



MASONRY DRILL  
BIT FOR TILE  
Ø6mm



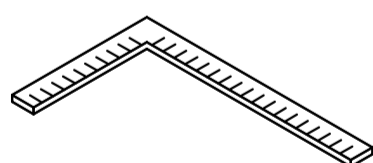
Safety Glasses



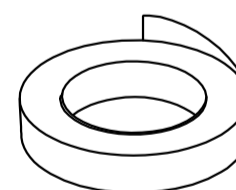
Glove



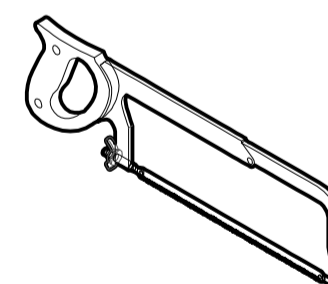
Carpenter's Squarer



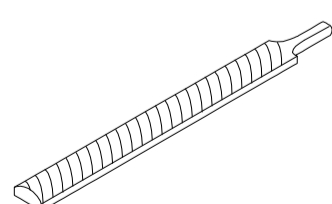
Masking or painter's  
tape



Hack Saw



Metal File



## SAFETY INFORMATION

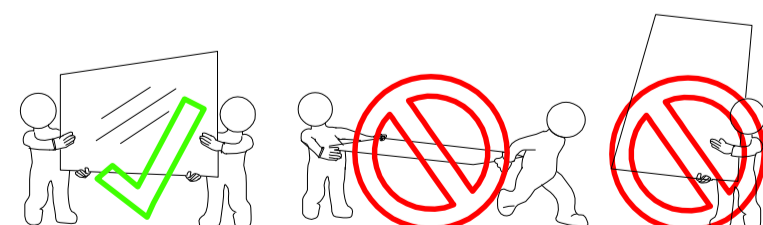
### CAUTION

Please carefully read the following important safety information before handling or installing this shower. There is a risk of serious injury while handling this product.

To minimize these risks, please note:

- Always wear safety glasses and gloves while handling.
- Always follow the installation instructions.
- Inspect glass for damage before installation.
- Extreme caution should be taken while handling the glass during installation as the tempered glass may shatter if in contact with a hard surface.
- Do not cut or modify the tempered glass as it will shatter if cut.
- Carefully remove product from packaging and keep packaging until installation is complete.
- Inspect all parts for damage or missing; if there is damage or part missing to the unit prior to installation, please contact customer service at the number provided in this guide.
- Cover the drain with tape to prevent the loss of small parts.
- The shower base and finished walls should be installed before beginning the shower door installation.
- During the installation, protect the shower floor with a drop cloth to avoid damage.
- This product should be installed by two people who are familiar with construction requirements. Professional installation is recommended!
- Keep this installation manual for future reference.

**NOTE:** Two people should perform this installation.



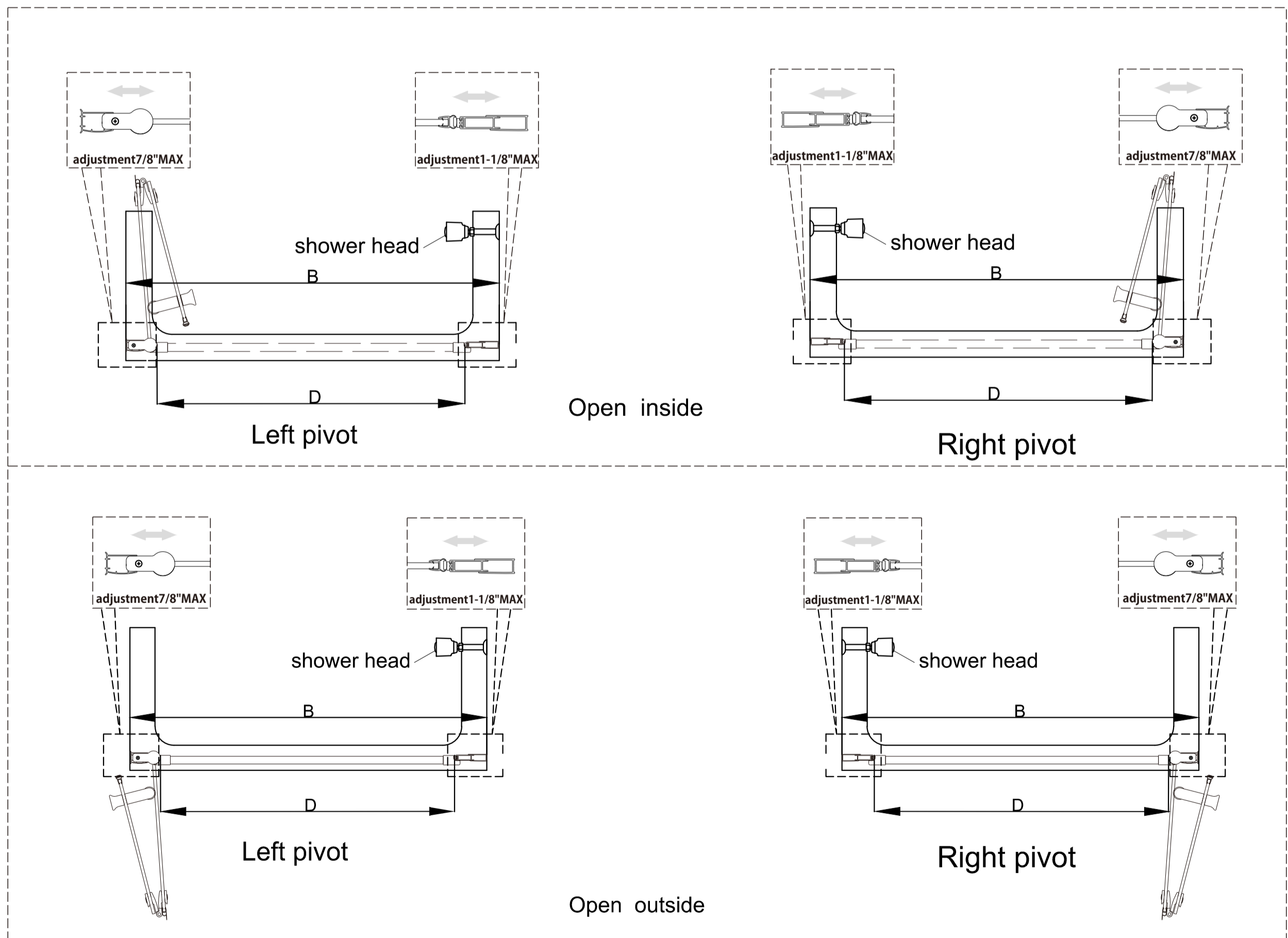
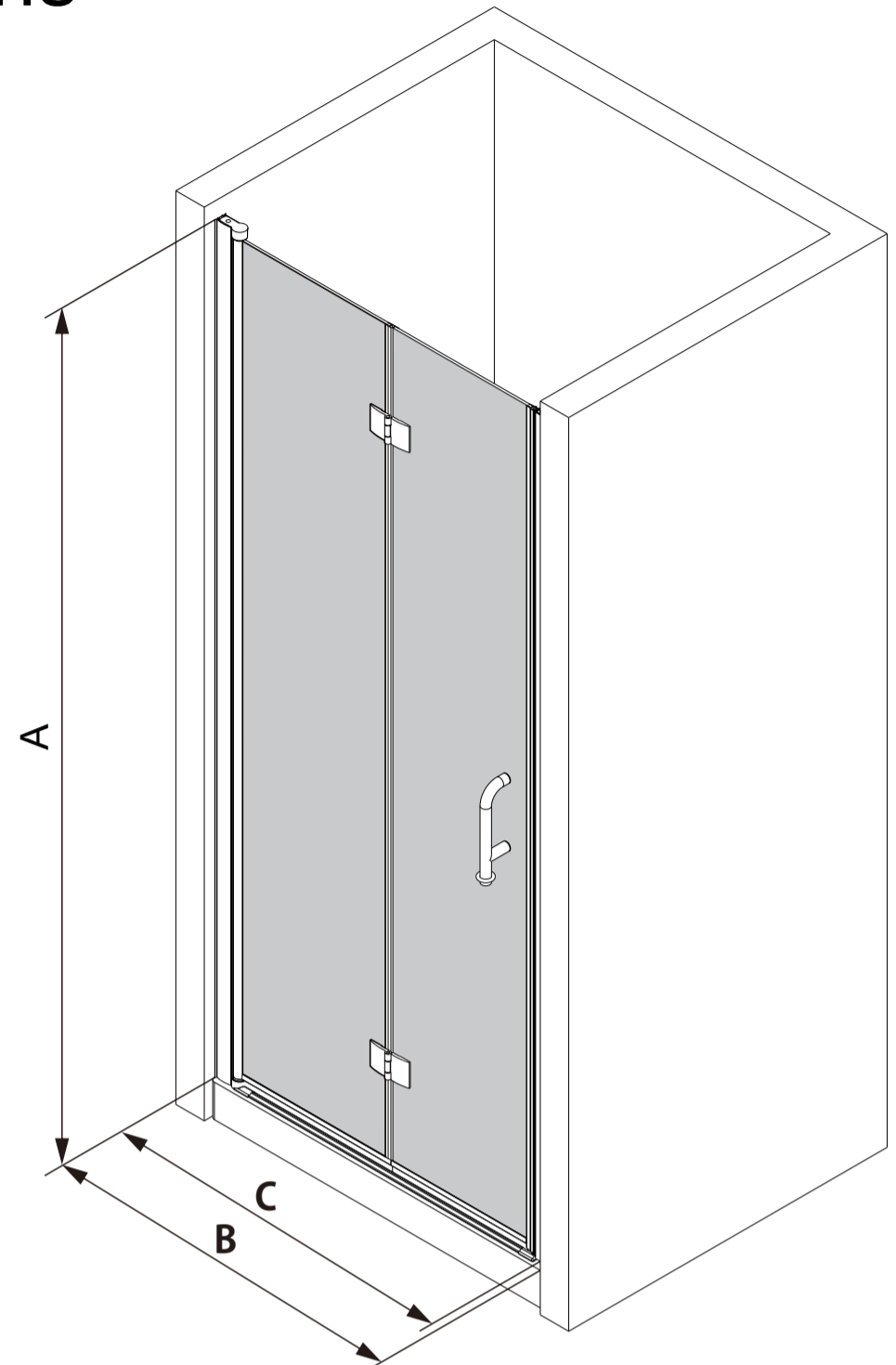
## Model Dimensions

configuration dimensions:

A Product Height	B Model width	C Installation width	D(Opening)
72"	30"	30"~32"	25-7/8"
	32"	32"~34"	27-7/8"
	34"	34"~36"	29-7/8"
	36"	36"~38"	31-7/8"

**NOTE**

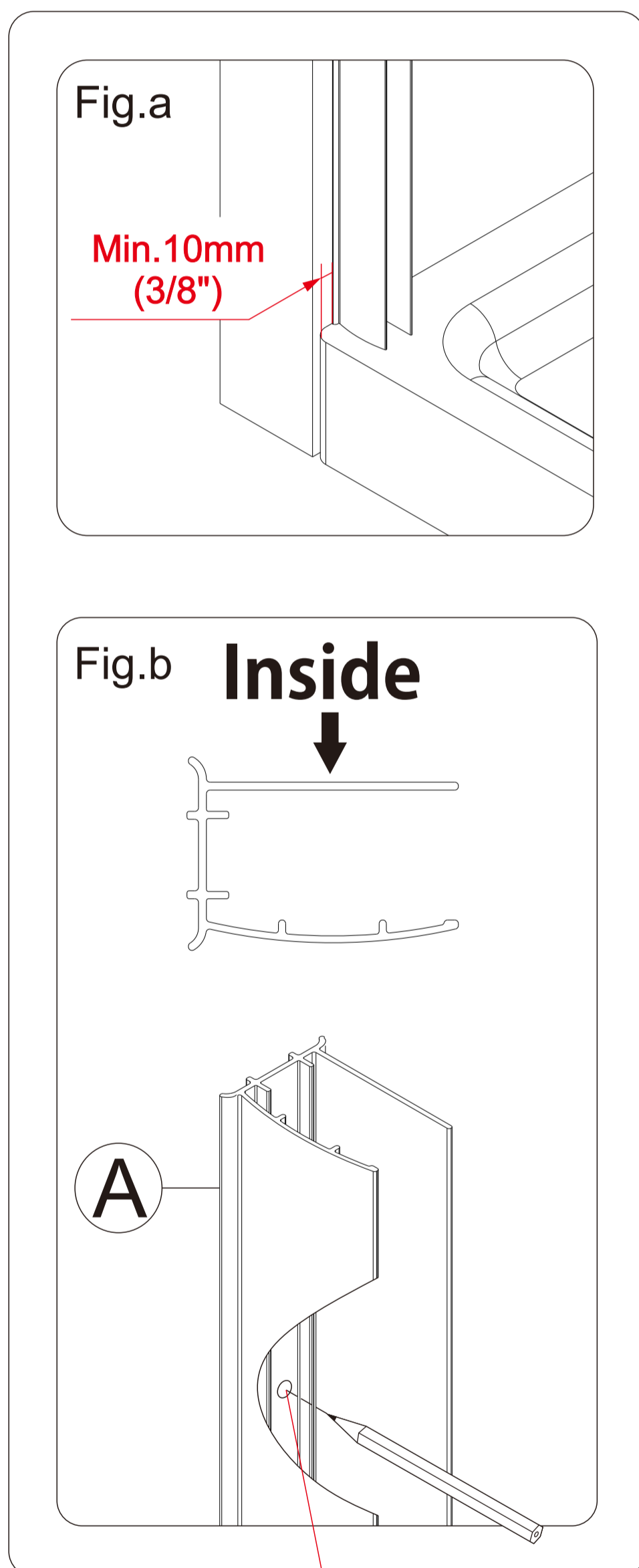
This model is reversible for right or left-hand door installation. The left-hand door installation is shown throughout this manual. For the right-hand door installation, simply begin on the opposite wall and reverse the orientation of the installation steps shown.



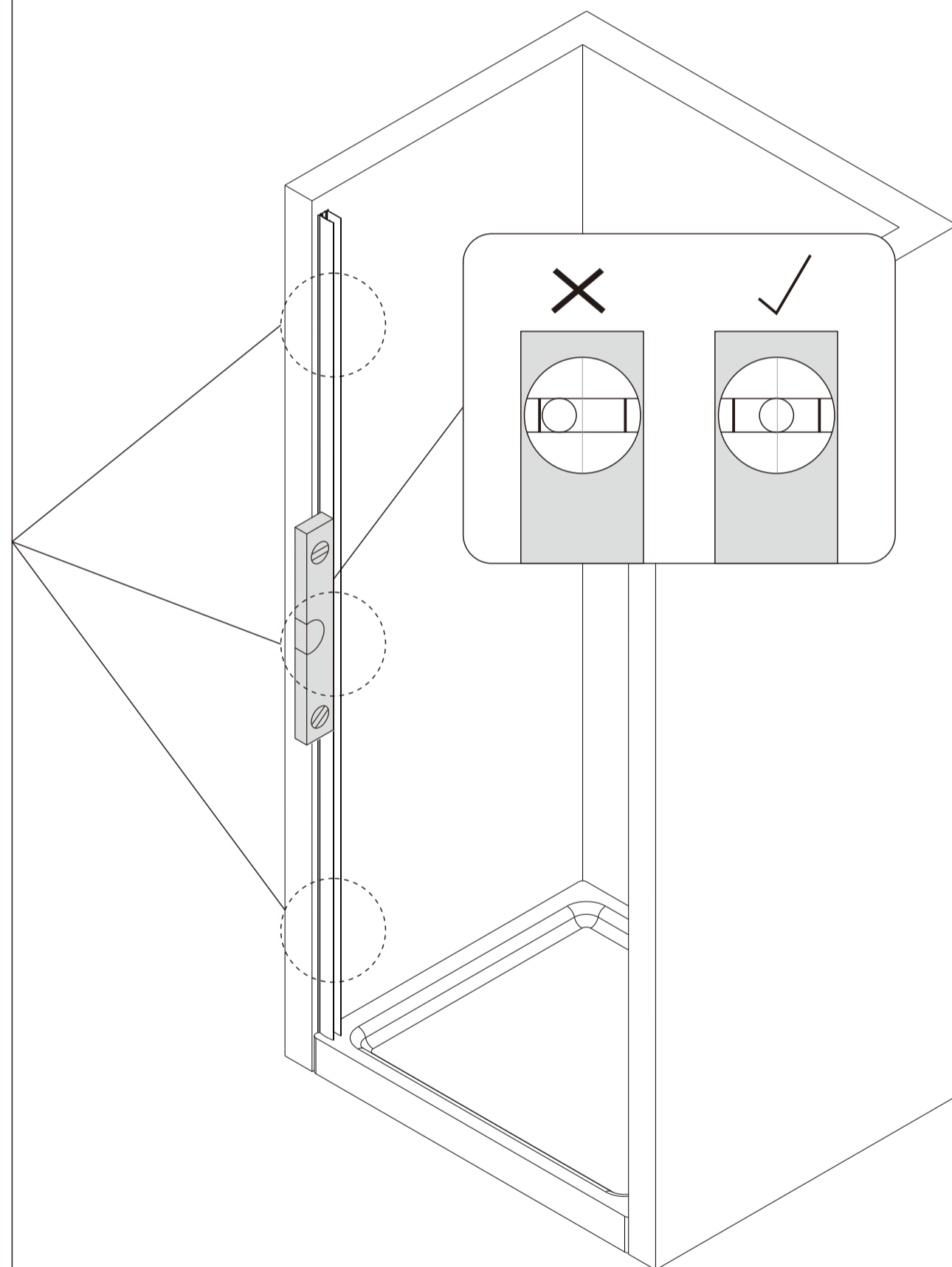
**1** Determine your step in from the edge of tray and plumb your **Wall Jamb(A)**.

NOTE

1. Determine your starting point from the edge of tray ( 3/8" (10mm) is recommended) and mark the position as Fig.a .
2. Plumb your **Wall Jamb(A)** on each side and then mark screw holes position as Fig.b .



Note: mark as the outline of profile hole

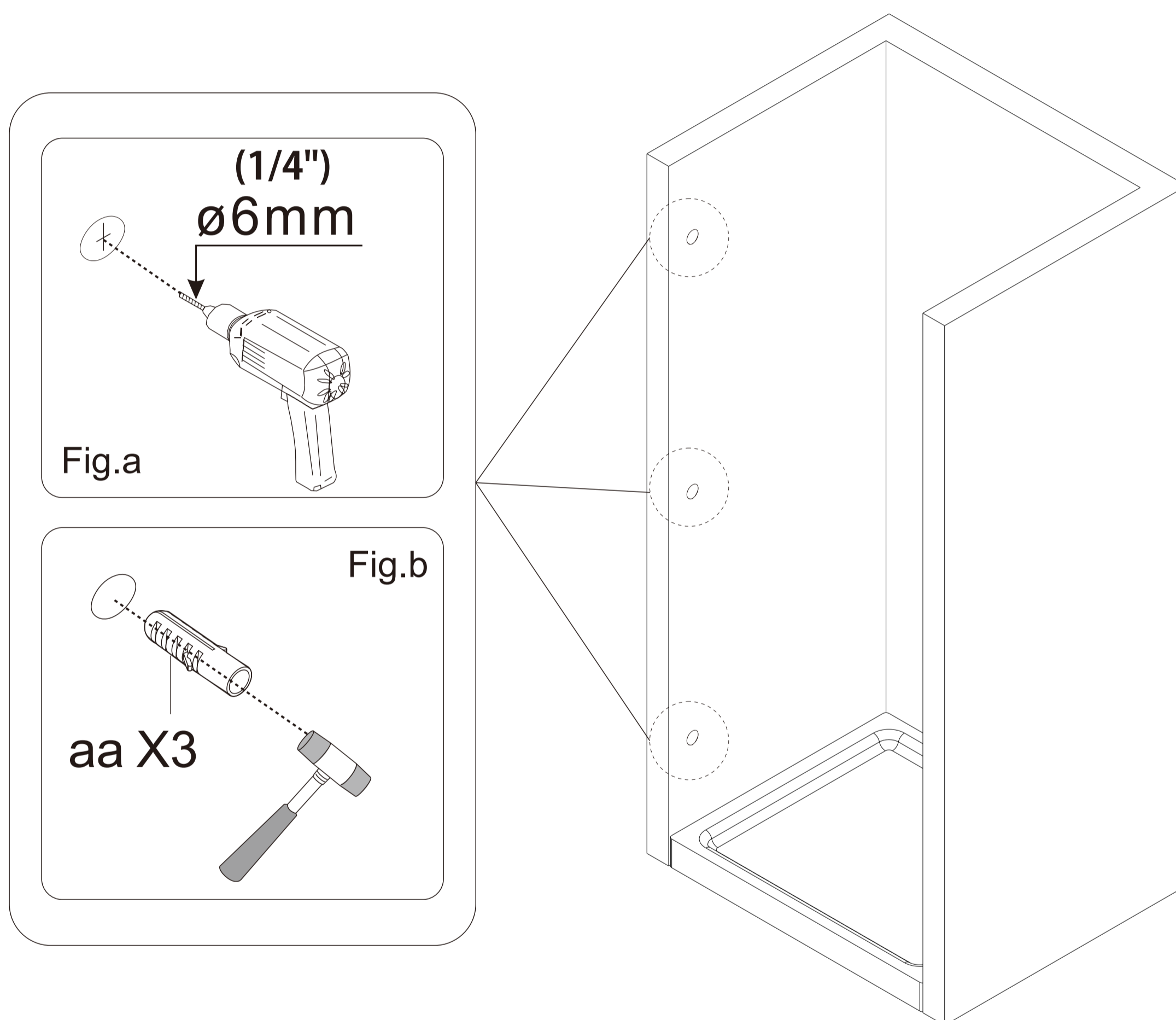


Note: The shower door can be installed left or right, according to the need to determine the installation direction.

## 2 Install **Wall Anchor(aa)**

NOTE

1. Drill holes with  $\phi$  6mm(1/4") drill bit as Fig.a .
2. Insert **Wall Anchors(aa)** as Fig.b .



NOTE

- If a Stud is present behind the wall:  
drill  $\phi$  1/8" (3mm) pilot holes into the stud and use the ST4.0x35mm **Screws(bb)**  
OR
- If NO Stud is present behind the wall:  
drill  $\phi$  1/4" (6mm) holes and insert the **Wall Anchors(aa)** and use the ST4.0x35mm **Screws(bb)**.

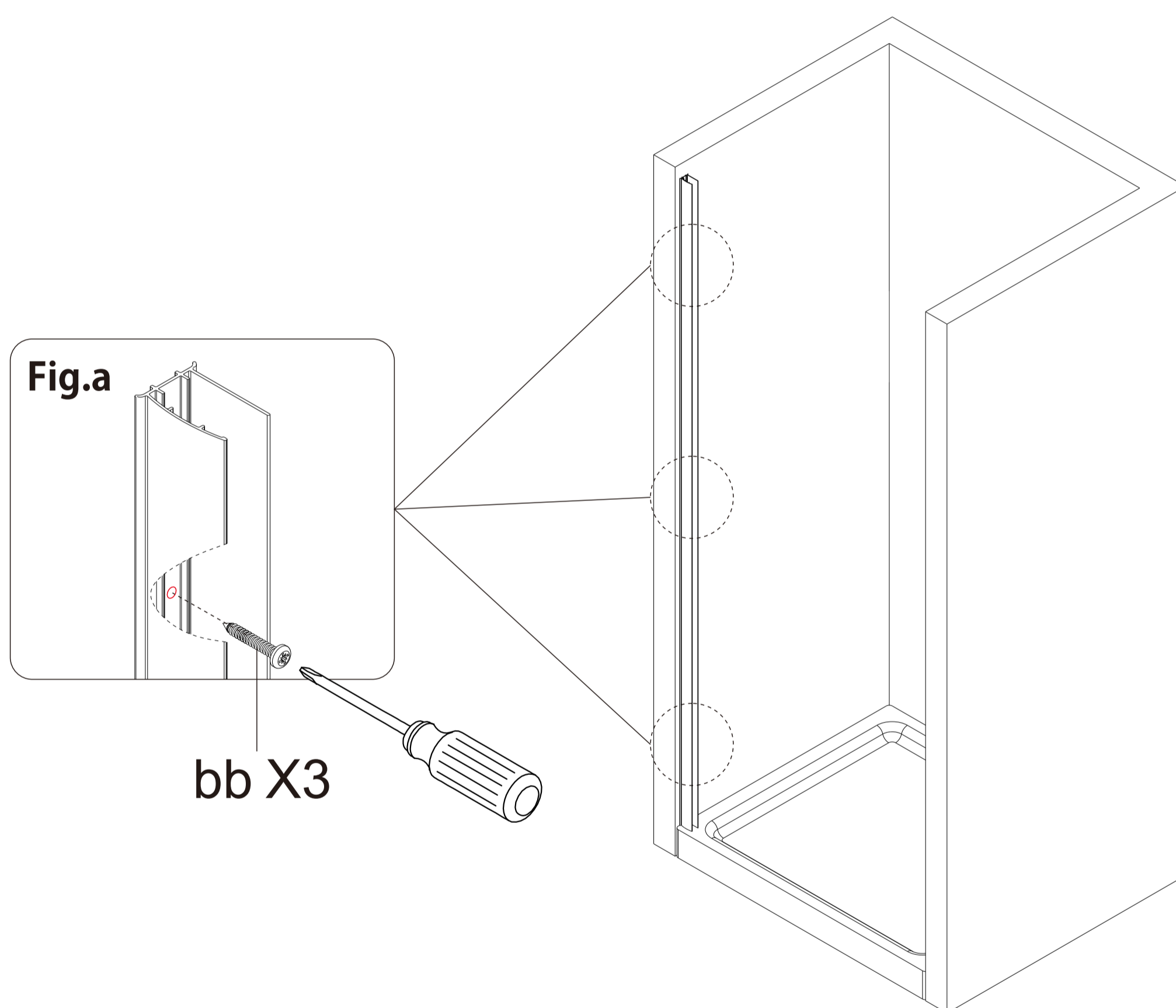


**Note: The shower door can be installed left or right, according to the need to determine the installation direction.**

**3** Install **Wall Jamb(A)**

NOTE

1. Fix **Wall Jambs(A)** with **Screw(bb)** as Fig.a .



Note: The shower door can be installed left or right, according to the need to determine the installation direction.

## 4 Install the Hinges(Q)

NOTE

1. Pay attention to the **Hinge(Q)** mounting direction as Fig.a and Fig.d.
2. Loosen the **Hinges(Q)** as Fig.b and Fig.e.
3. Attach the hinges to the **Stationary Glass(C)** and **Glass Door (P)** as Fig.c and Fig.f.
4. Make sure the **Hinges(Q)** are mounted flat on the Glass

Always mounted on Stationary Glass(C)

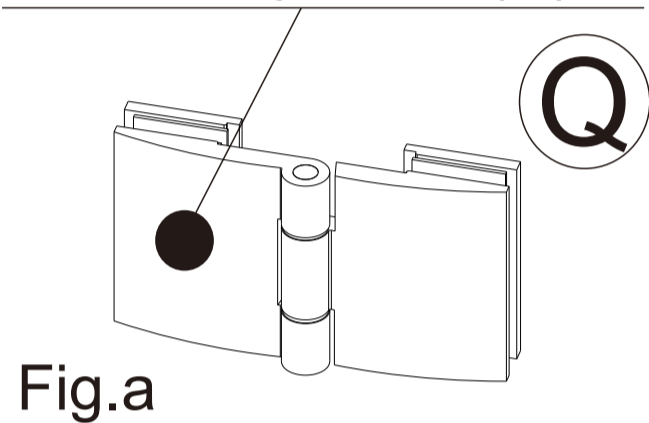


Fig.b

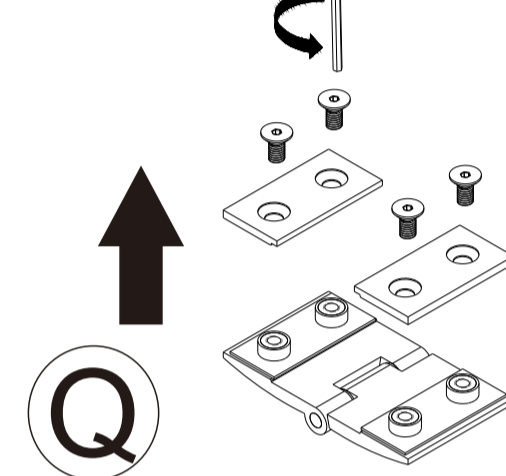
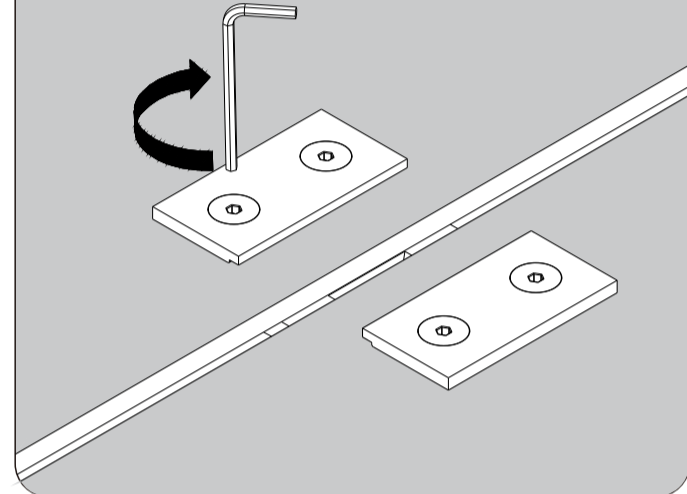
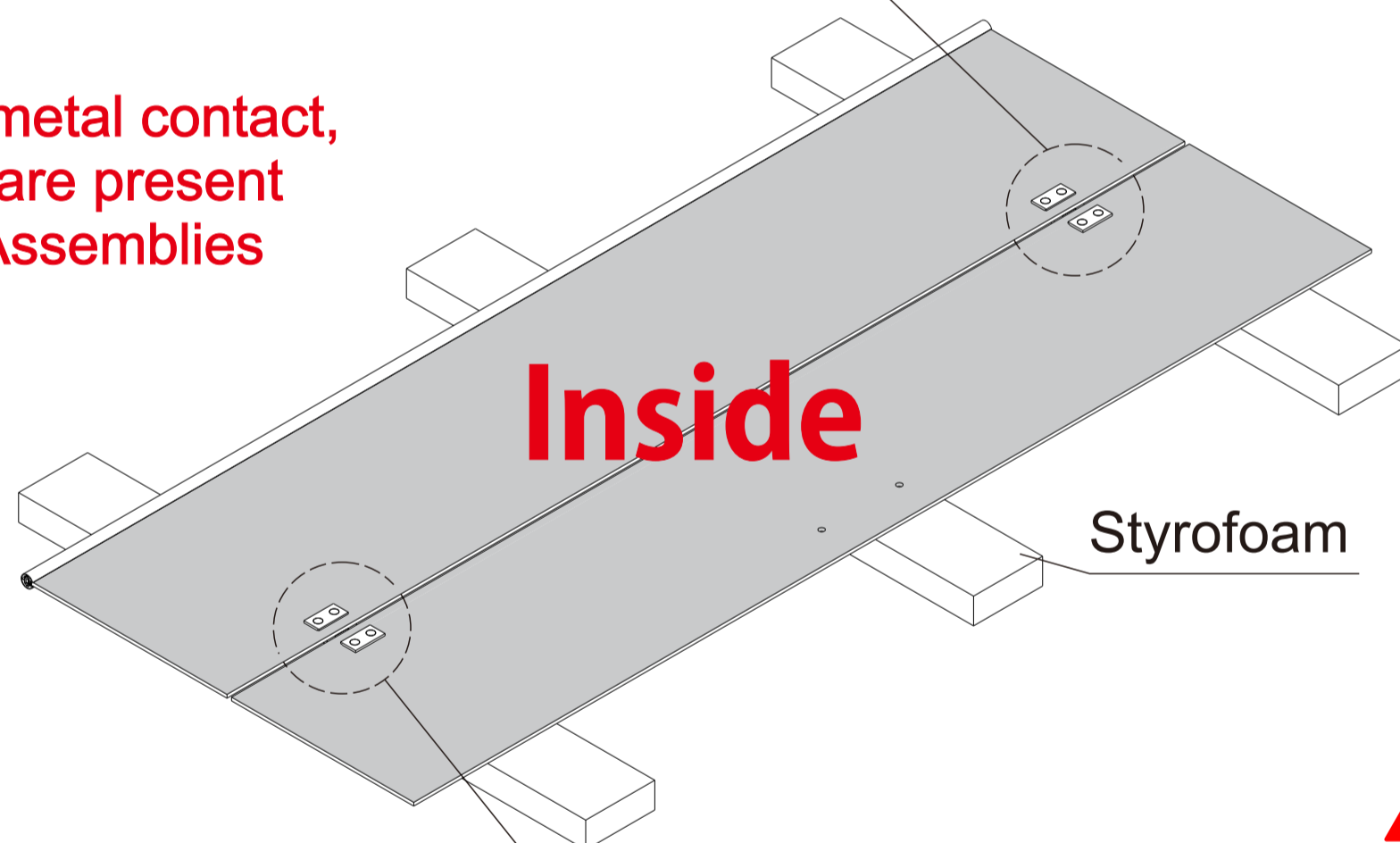


Fig.c



To prevent glass-to-metal contact, confirm the gaskets are present between the Hinge Assemblies and the Door Glass.



CAUTION: Do not put glass directly on the ground

Always mounted on Stationary Glass(C)

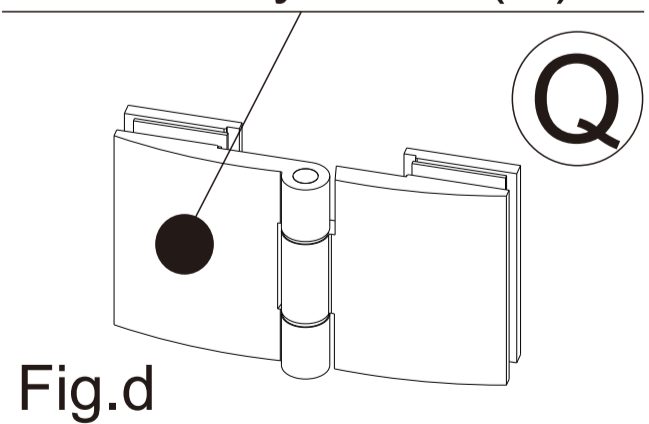


Fig.e

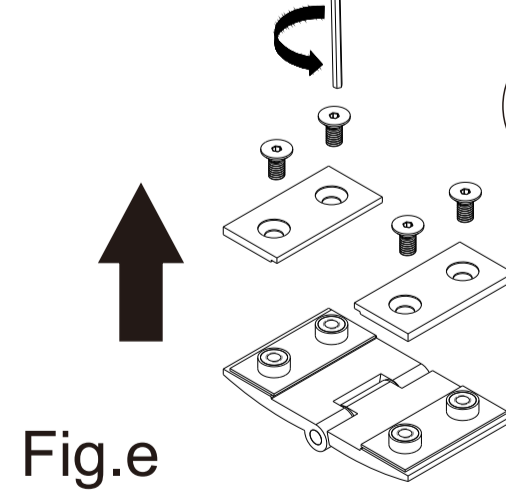
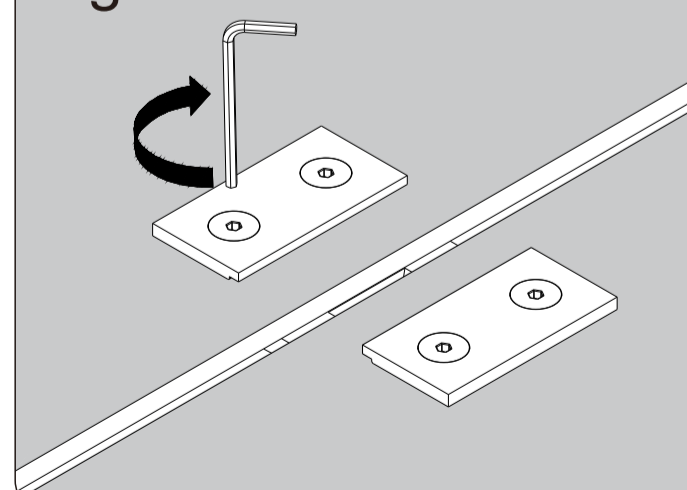


Fig.f

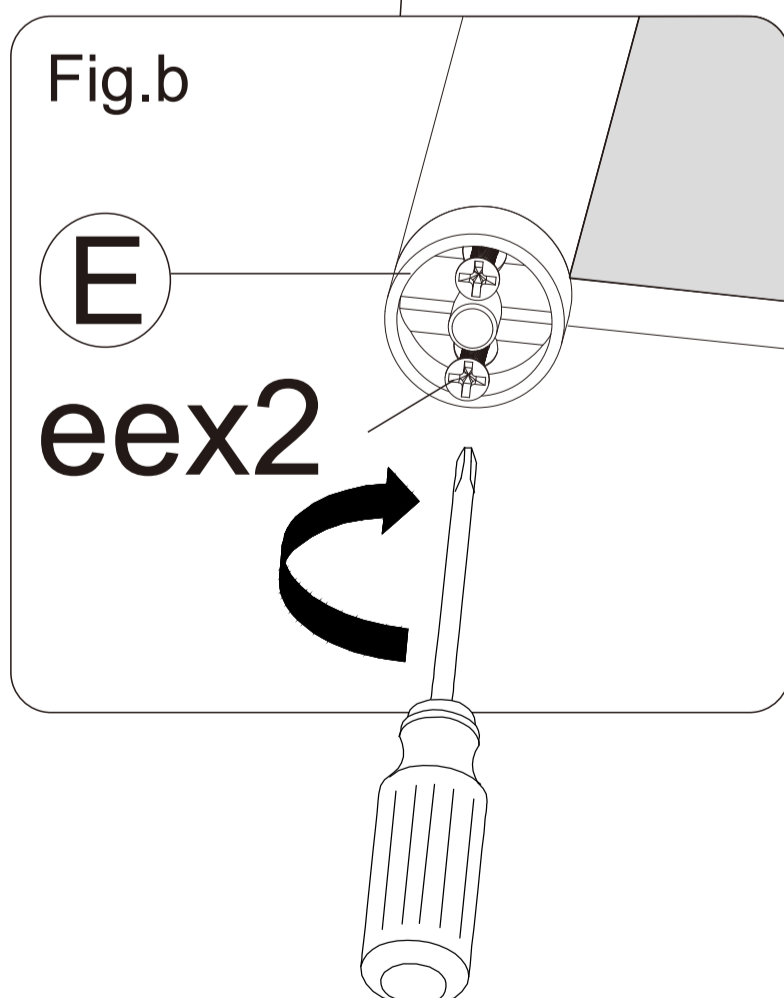
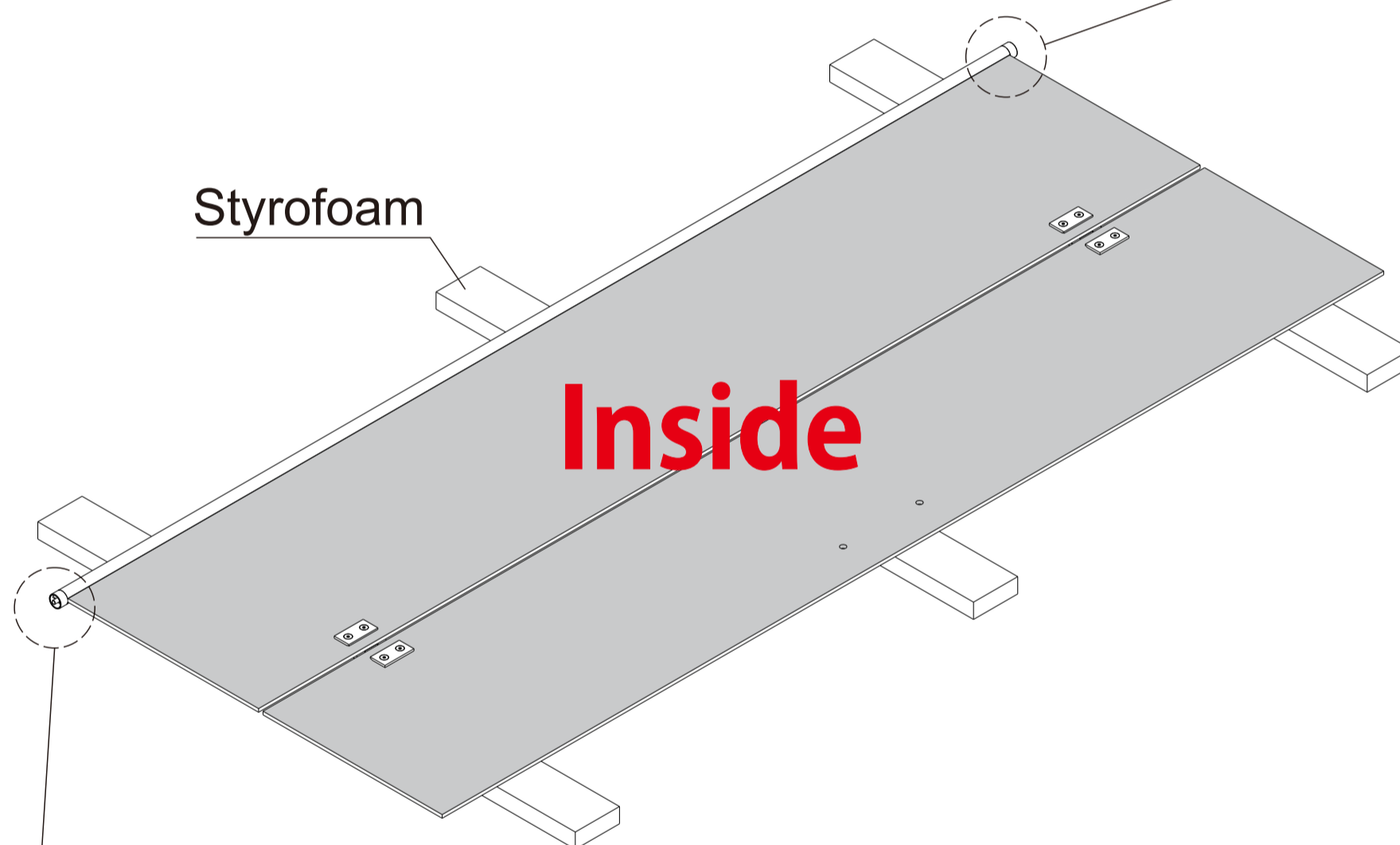
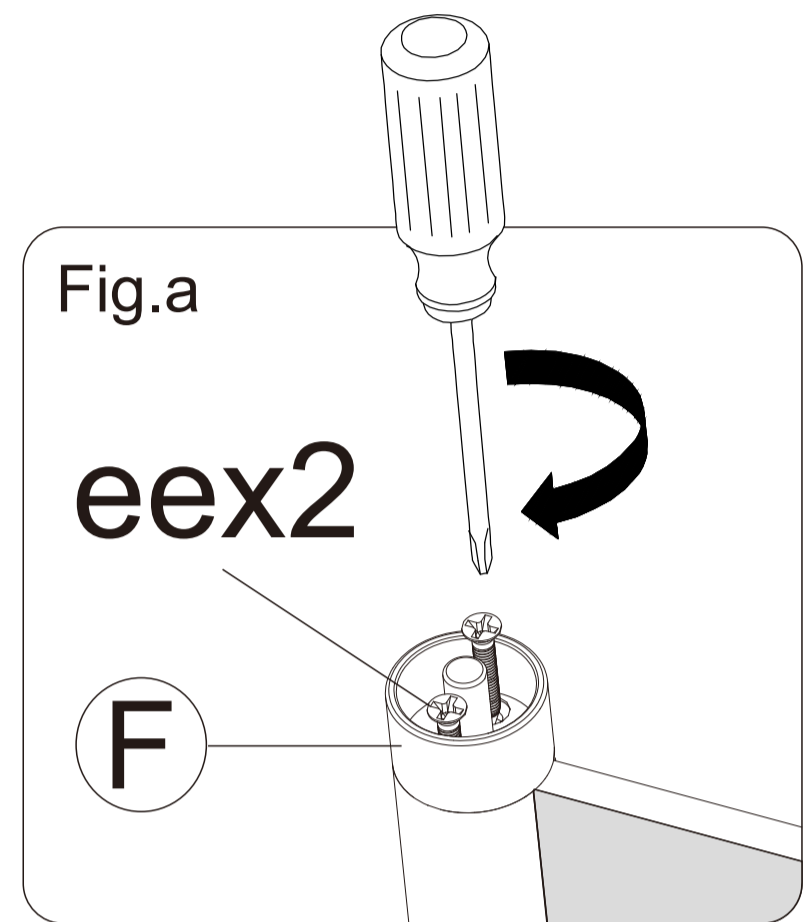


**5** Install **Top Pivot Sleeve(F)** and **Bottom Pivot Sleeve(E)**.

NOTE

1. Install the **Top Pivot Sleeve(F)** into the **Stationary Glass(C)** and secure it with **screws(ee)** as Fig.a .
2. Install the **Bottom Pivot Sleeve(E)** into the **Stationary Glass(C)** and secure it with **screws(ee)** as Fig.b .

Note: ensure bracket without 'V' is always on the top



Note: ensure bracket with the 'V' is always on the bottom

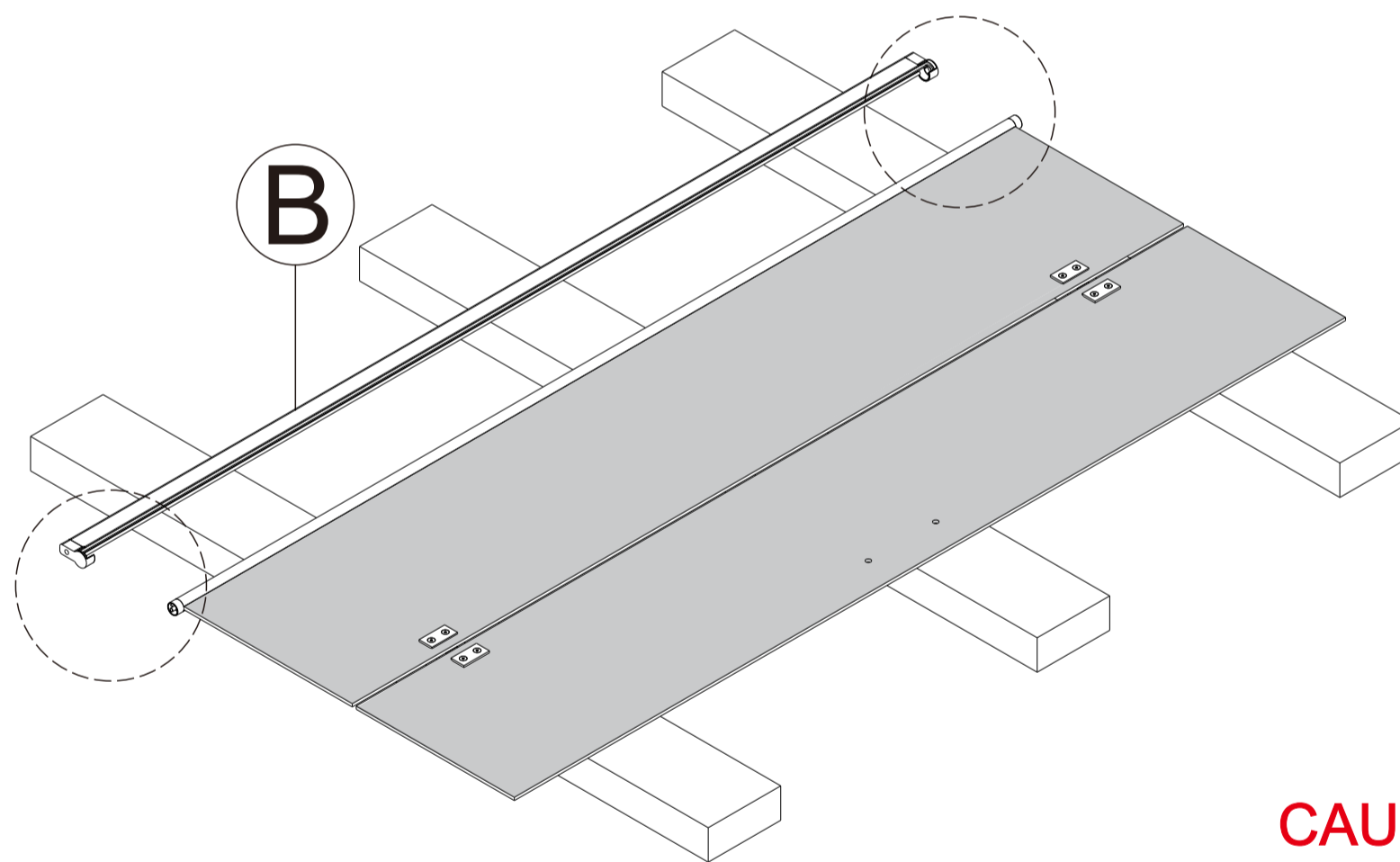
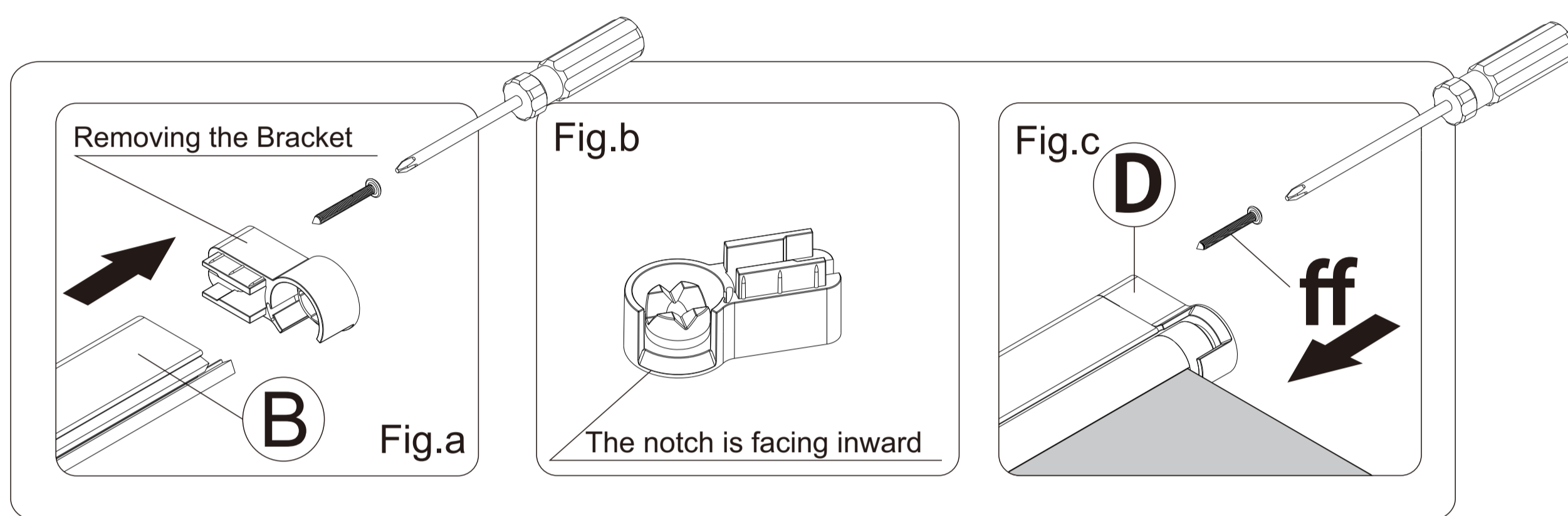


**CAUTION:** Do not put glass directly on the ground

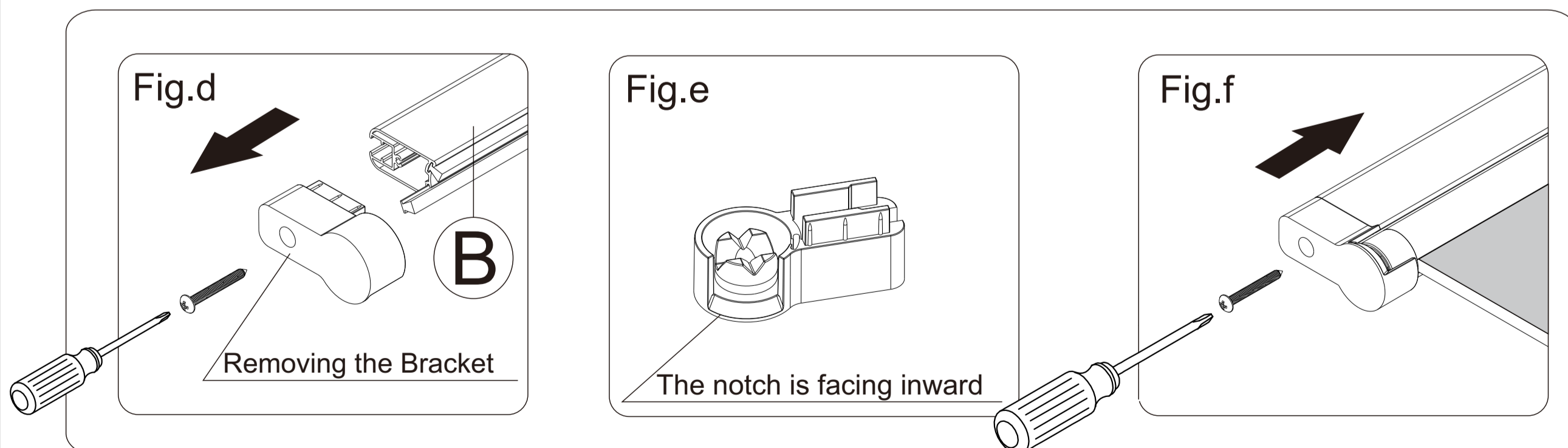
## 6 Install Upright Profile(B)

NOTE

- 1.Remove the upper and lower brackets as Fig.a and Fig.d
- 2.The Bracket notch is always facing inward as Fig.b and Fig.e .
- 3.Fix the **Upright Profile(B)** and the **Stationary Glass(C)** with a Bracket as Fig.c and Fig.f



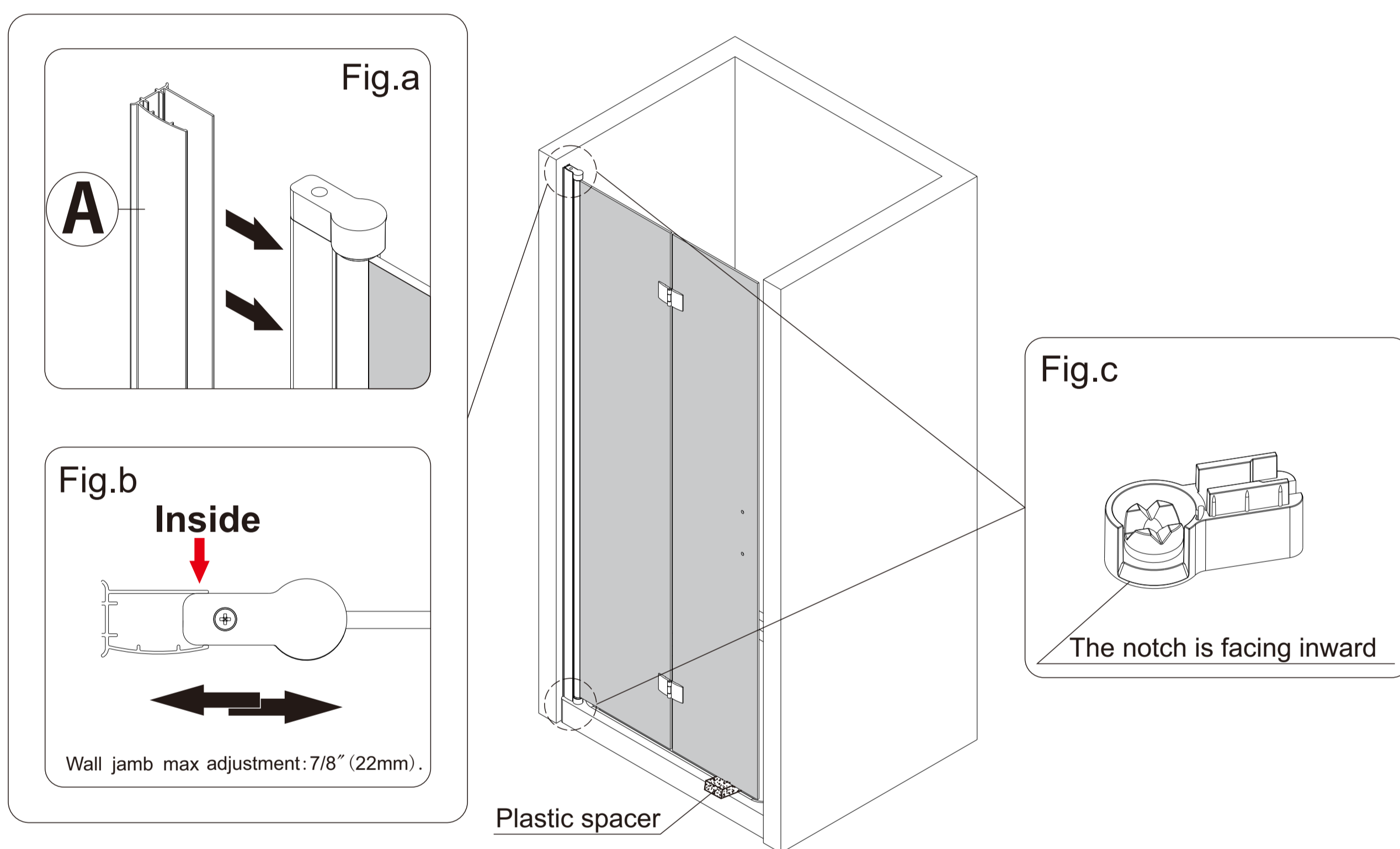
**CAUTION:** Do not put glass directly on the ground



# 7 Install Glass Door(C)

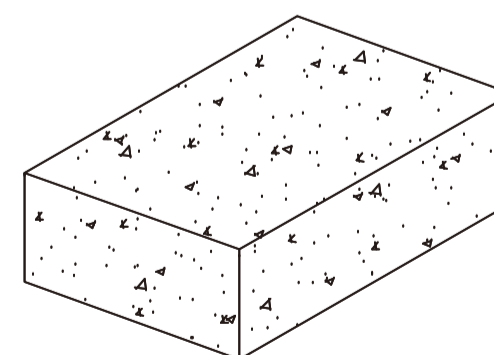
NOTE

1. Insert the **Stationary Glass(C)** to the **Wall Jamb(A)**, the max adjustment is 7/8"(22mm) as Fig.a and Fig.b
2. Note the Bracket orientation as Fig.c



NOTE

The Plastic spacer is an aid tool to prevent the glass from touching the ground



8

Determine your step in from the edge of tray and plumb your **Wall Jamb(G)**.

NOTE

1. Rotate the **Stationary Glass(C)** inward to facilitate the installation of **Wall Jamb(G)**
2. Determine your starting point from the edge of tray (5/8" (16mm) is recommended) and mark the position as Fig.a.
3. Plumb your **Wall Jambs(G)** on each side and then mark screw holes position as Fig.b.

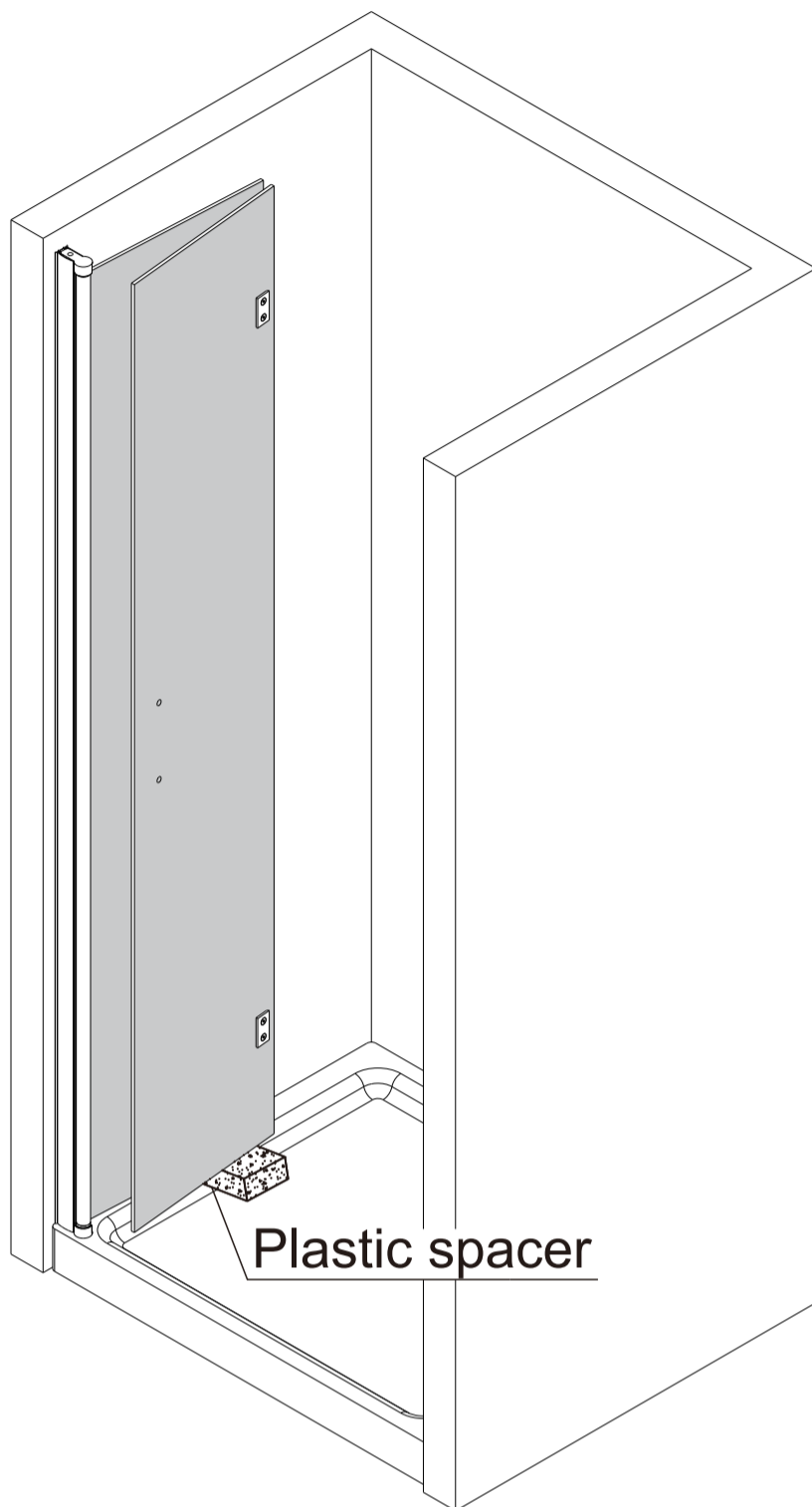


Fig.a

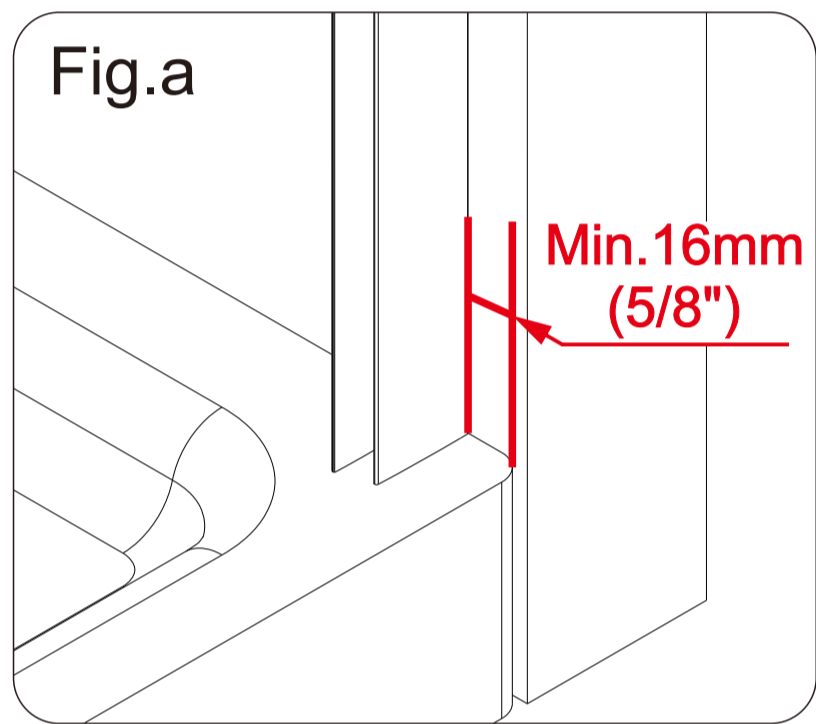
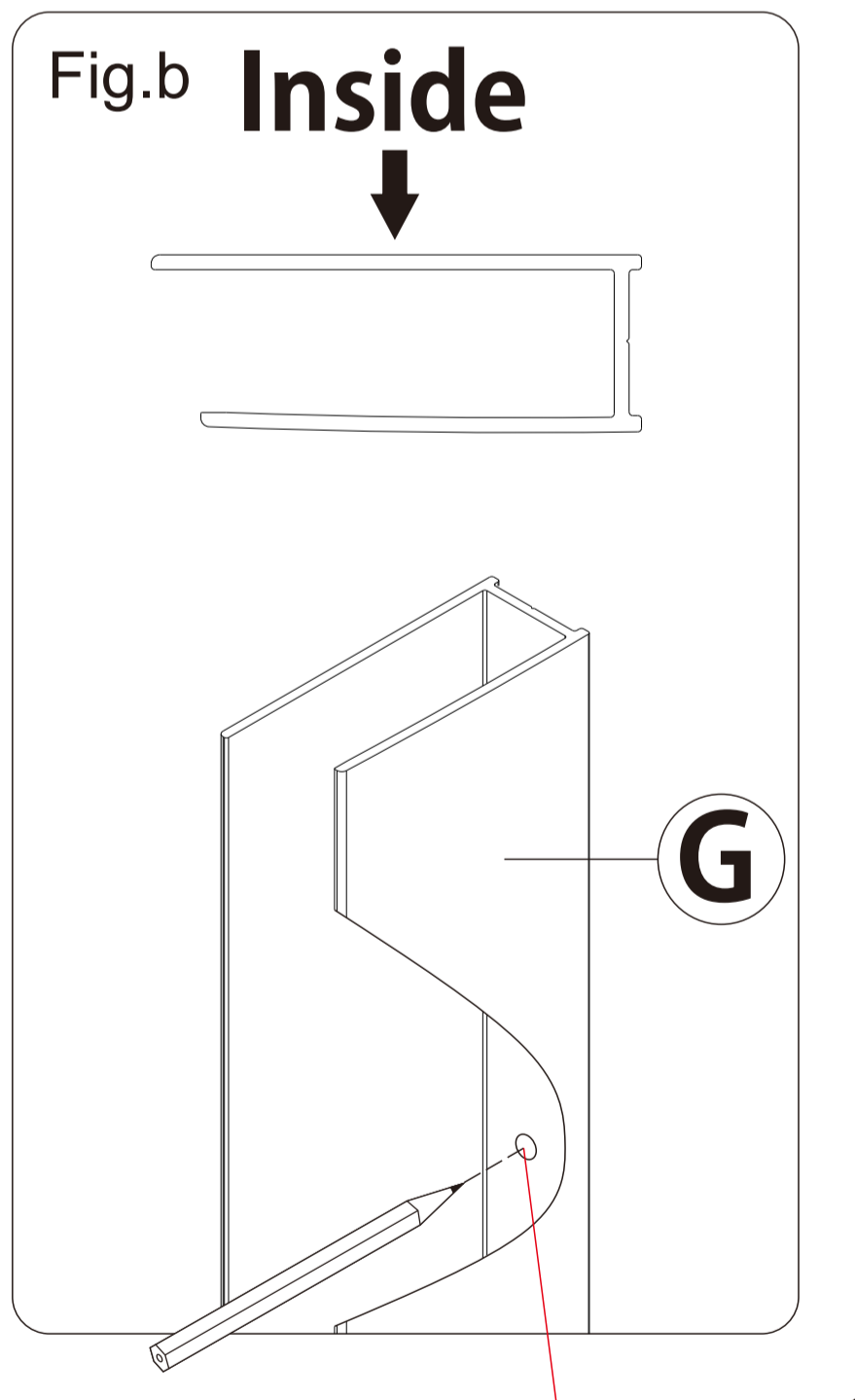
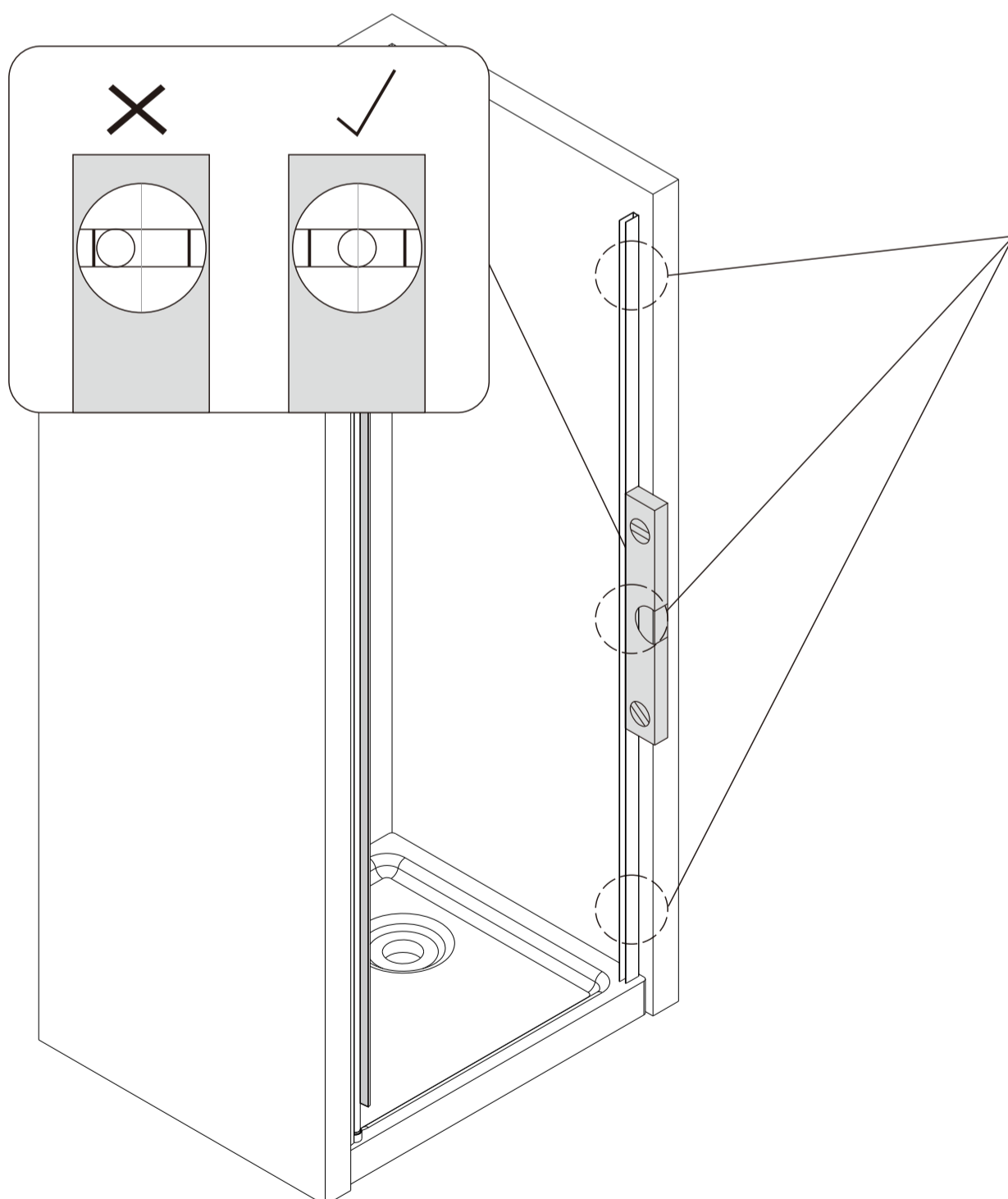


Fig.b **Inside**



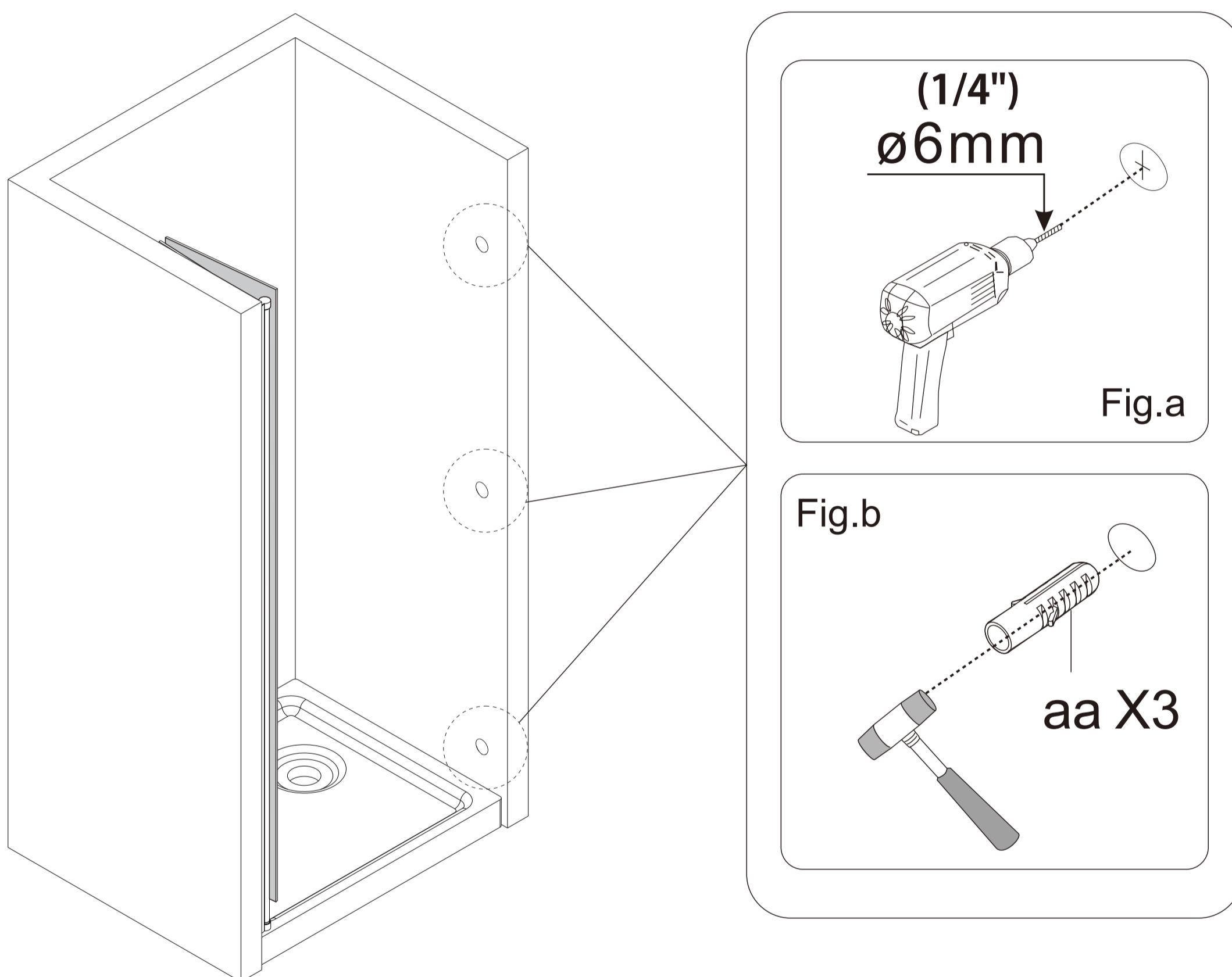
Note: mark as the outline of profile hole



## 9 Install **Wall Anchor(aa)**

NOTE

1. Drill holes with  $\phi$  6mm(1/4") drill bit as Fig.a .
2. Insert **Wall Anchors(aa)** as Fig.b .



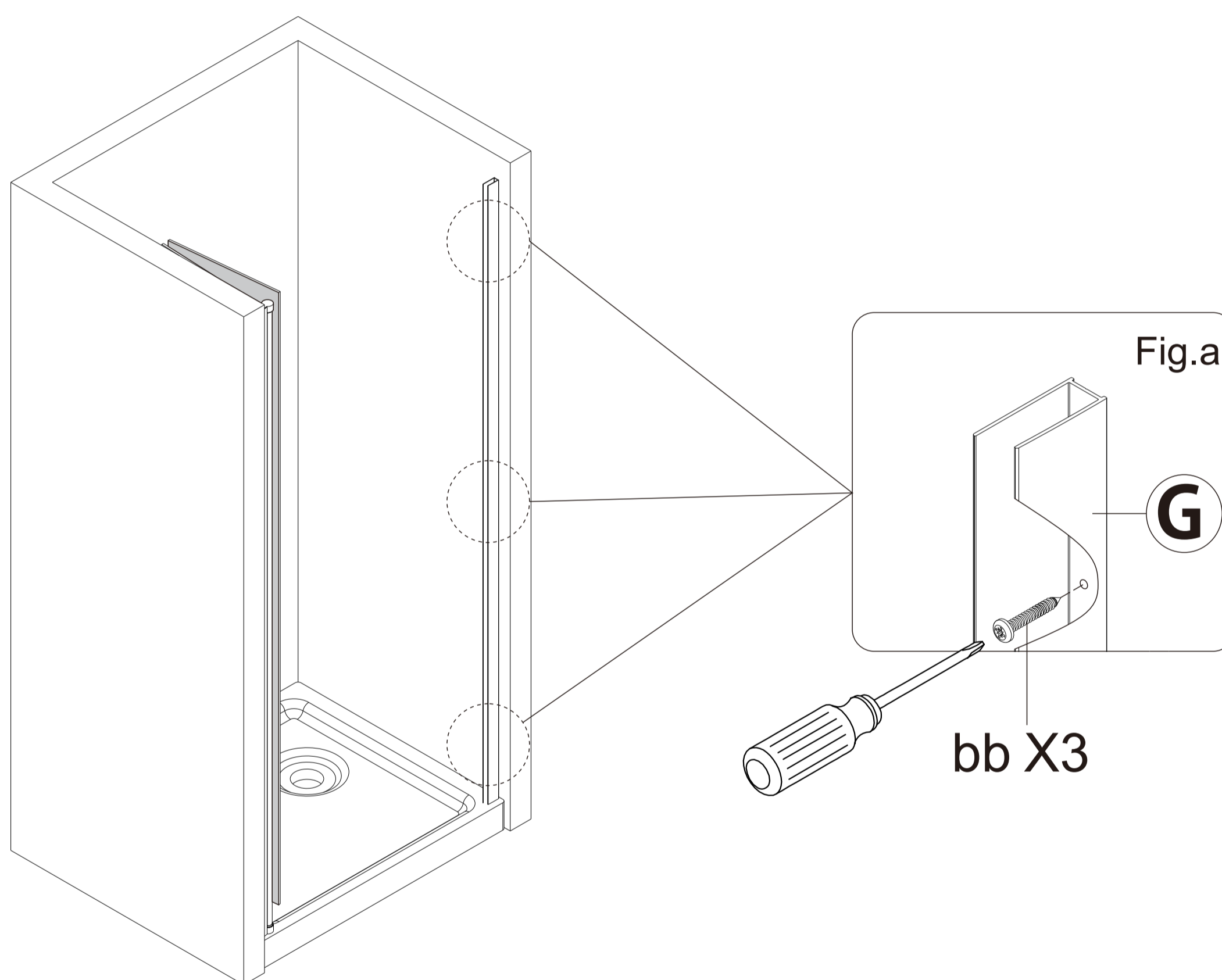
NOTE

- If a Stud is present behind the wall:  
drill  $\phi$  1/8" (3mm) pilot holes into the stud and use the ST4.0x35mm **Screws(bb)**  
OR
- If NO Stud is present behind the wall:  
drill  $\phi$  1/4" (6mm) holes and insert the **Wall Anchors(aa)**  
and use the ST4.0x35mm **Screws(bb)**.

# 10 Install Wall Jamb(G)

NOTE

1. Fix Wall Jambs(G) with Screw(bb) as Fig.a .

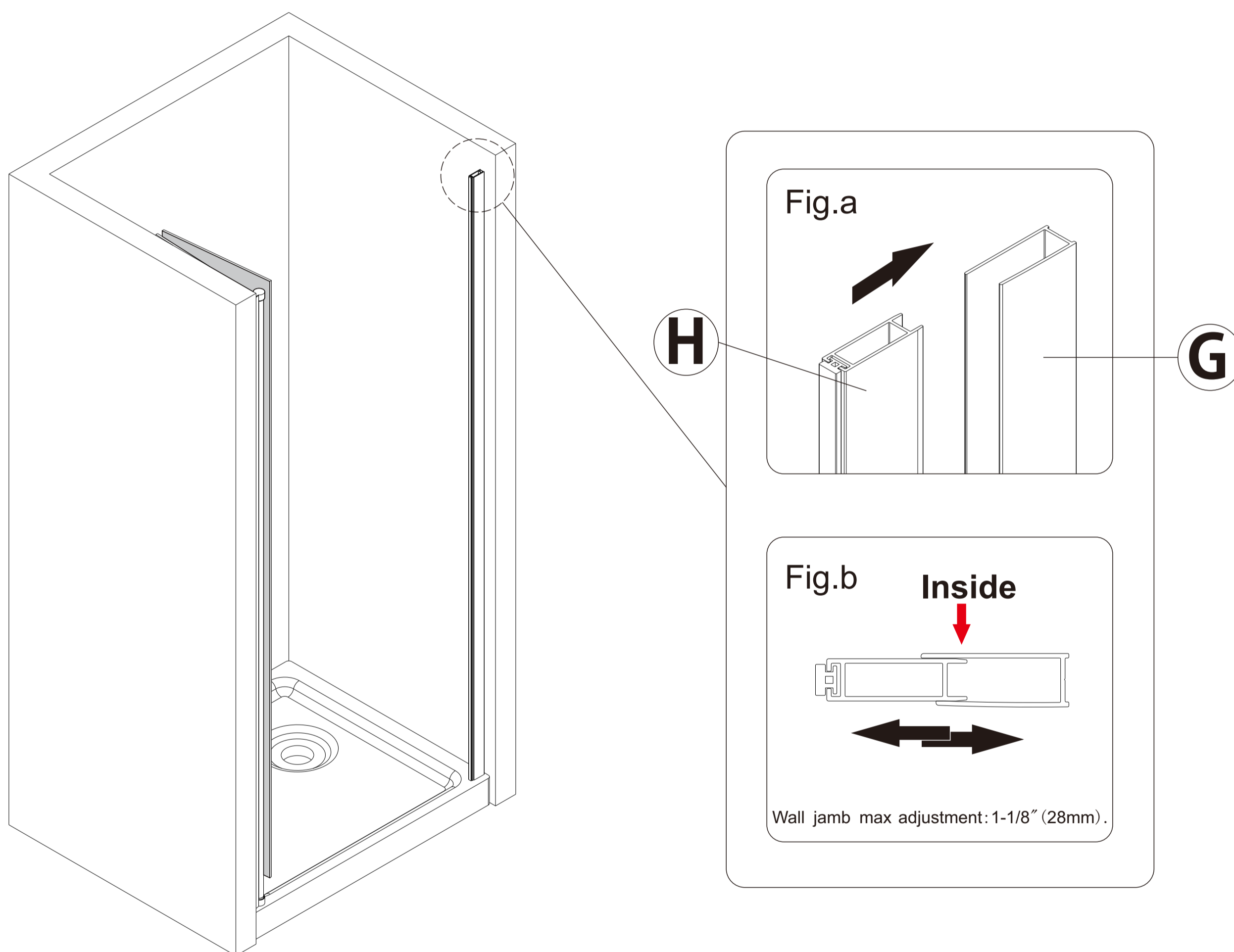


Note: The shower door can be installed left or right, according to the need to determine the installation direction.

**11** Install **Alu.Extrusionw/Magnet Strip(H)**

NOTE

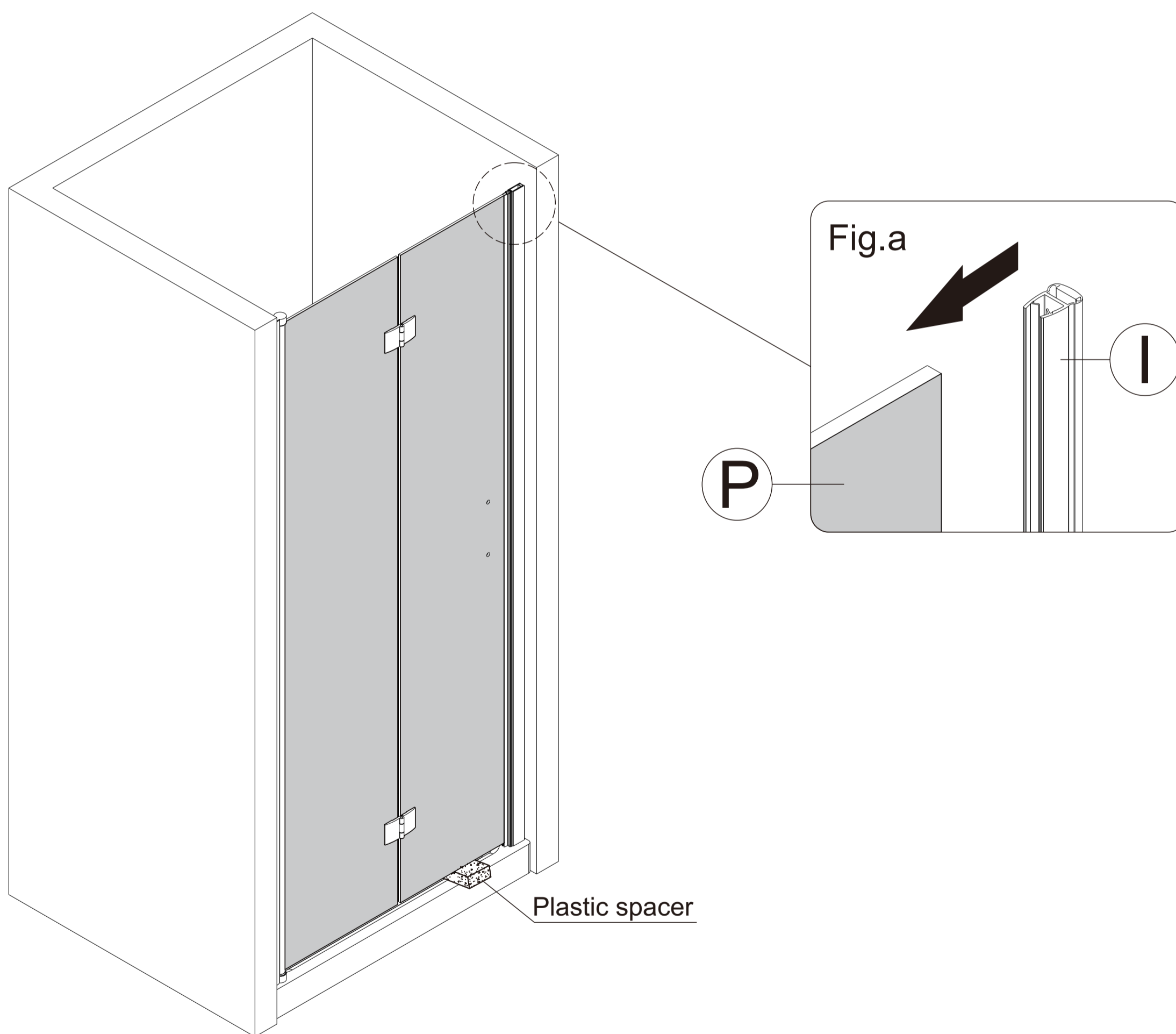
1.Insert the **Alu. Extrusionw/Magnet Strip(H)** to the **Wall Jamb(G)**, the max adjustment is 1-1/8"(28mm) as Fig.a and Fig.b



# 12 Install Magnetic Strip(I)

NOTE

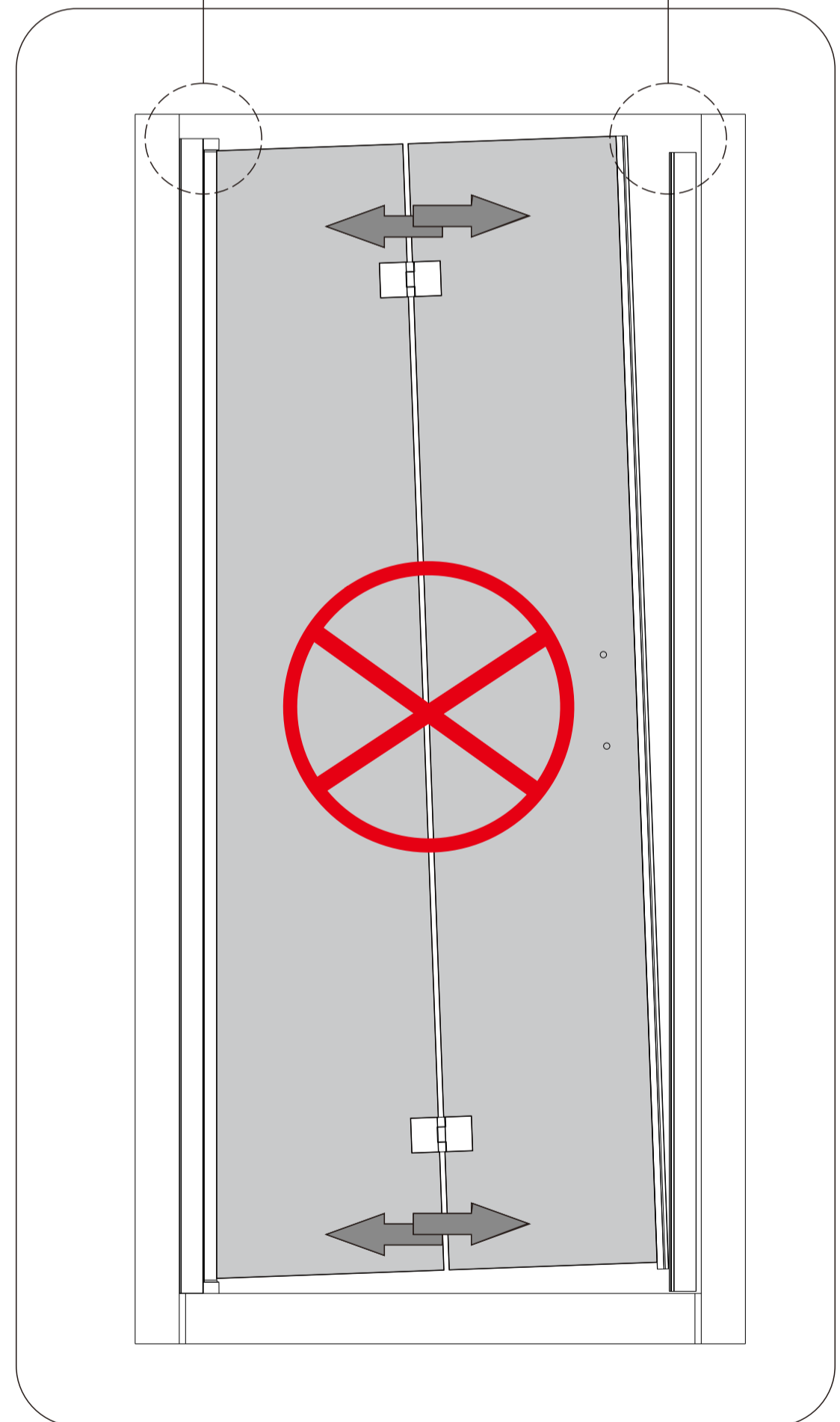
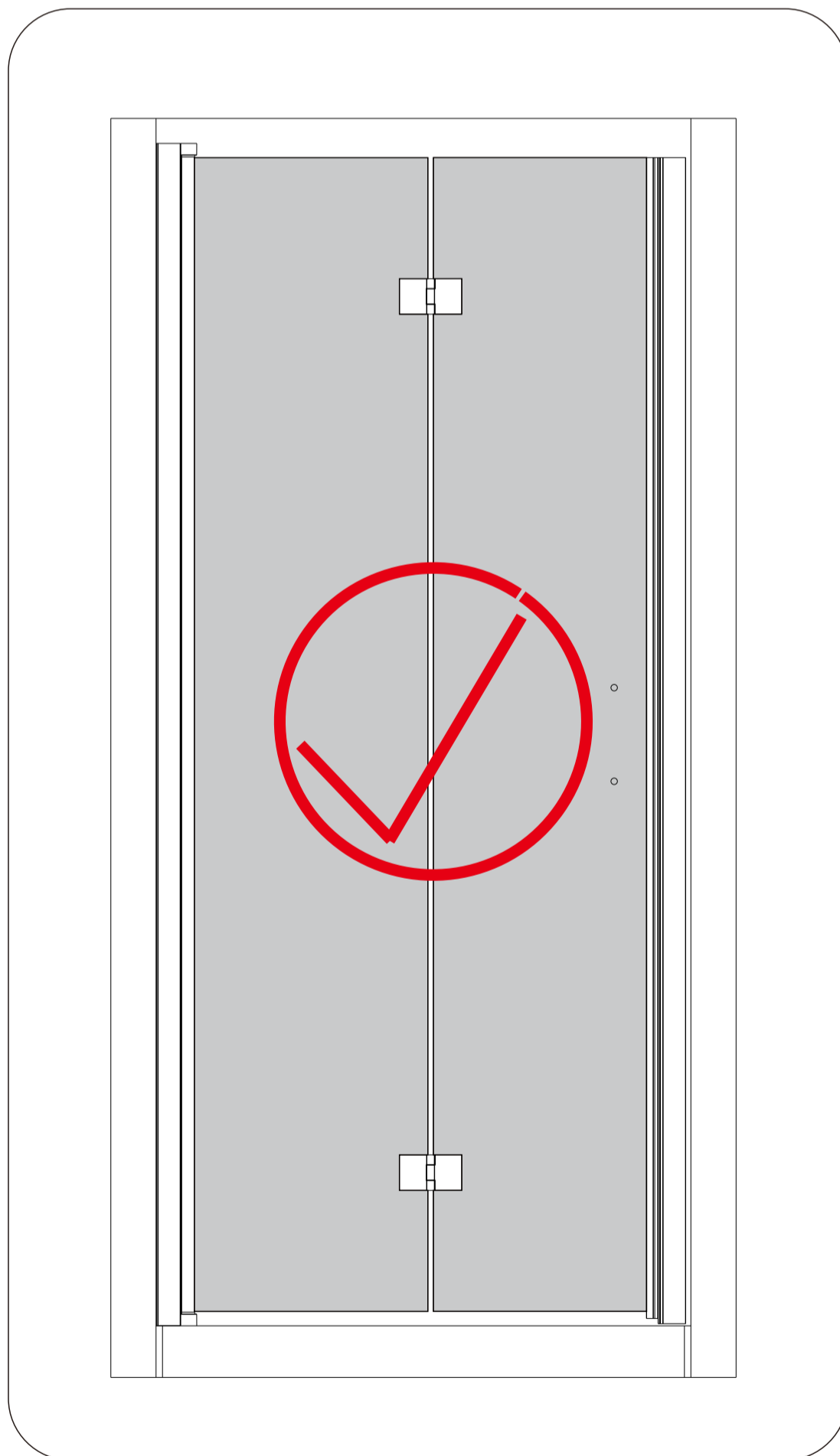
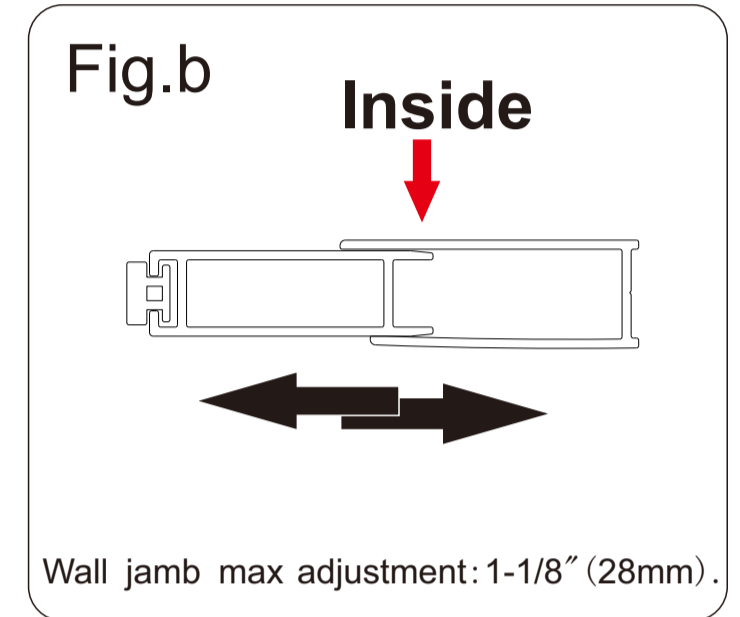
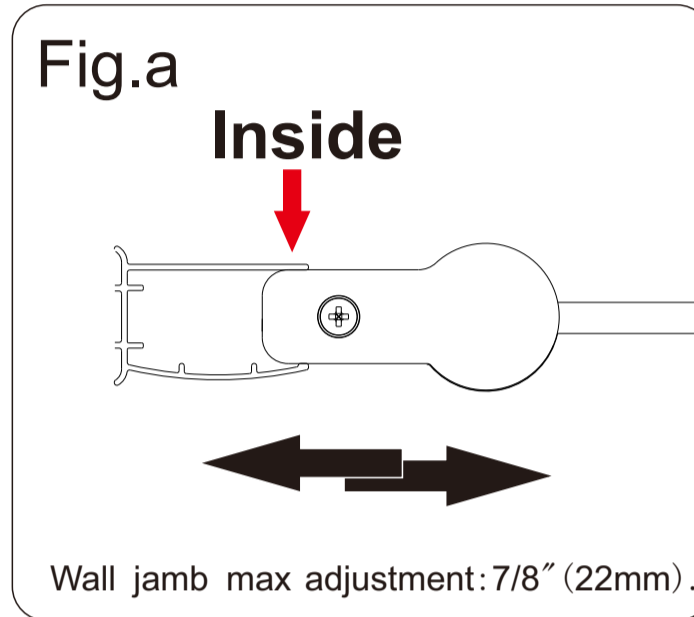
1. Install the **Magnetic Stripe(I)** into the **Glass Door(P)** as Fig.a.



# 13 Adjustment

NOTE

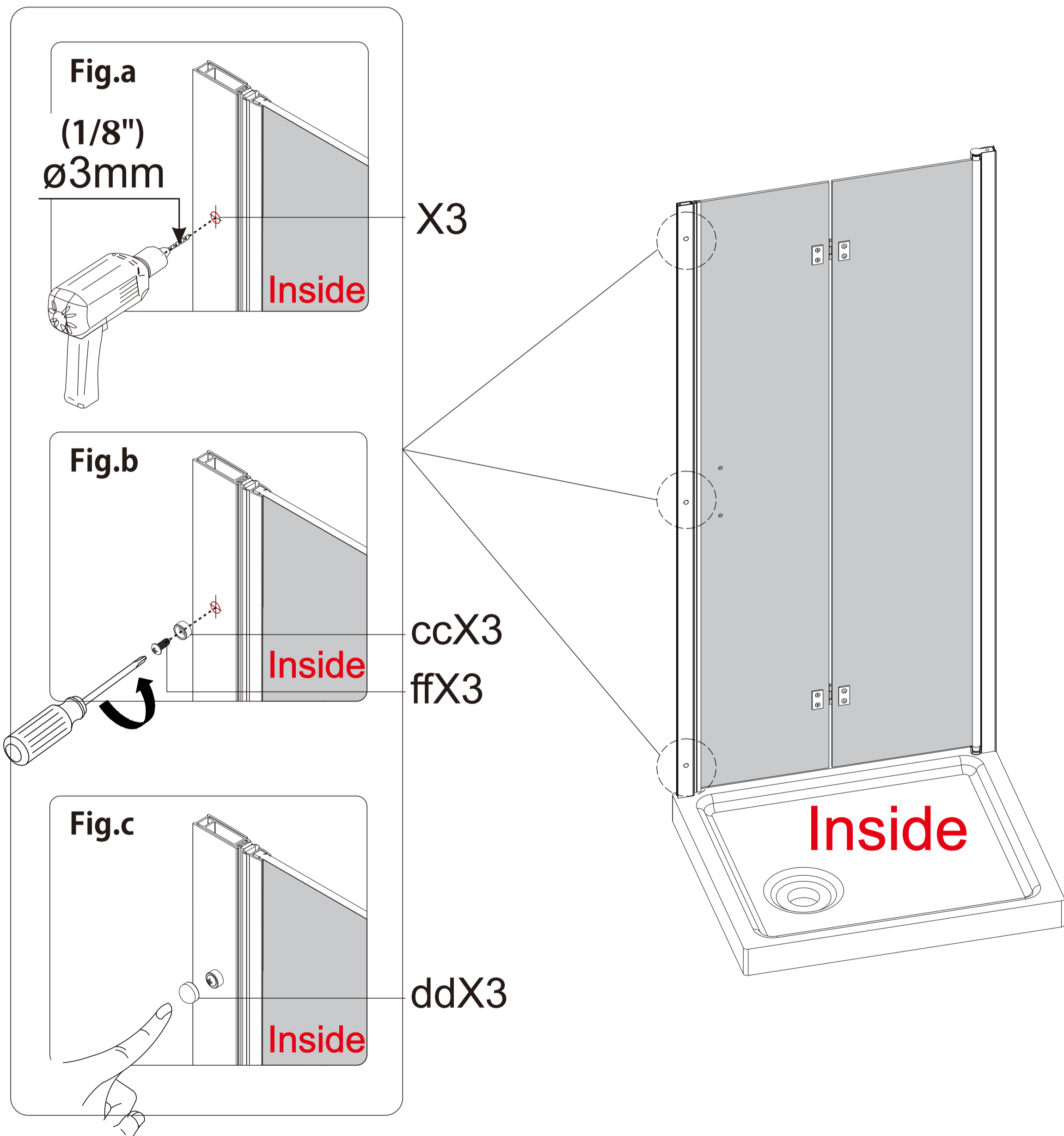
1. Adjust the **Stationary Glass(C)** and the **Alu.Extrusionw/Magnet Strip(H)** left and right to ensure that the **Magnetic Stripe(I)** and the **Alu.Extrusionw/Magnet Strip(H)** are seamless as Fig.a and Fig.b.



# 14 Lock Alu.Extrusionw/Magnet Strip(H)

NOTE

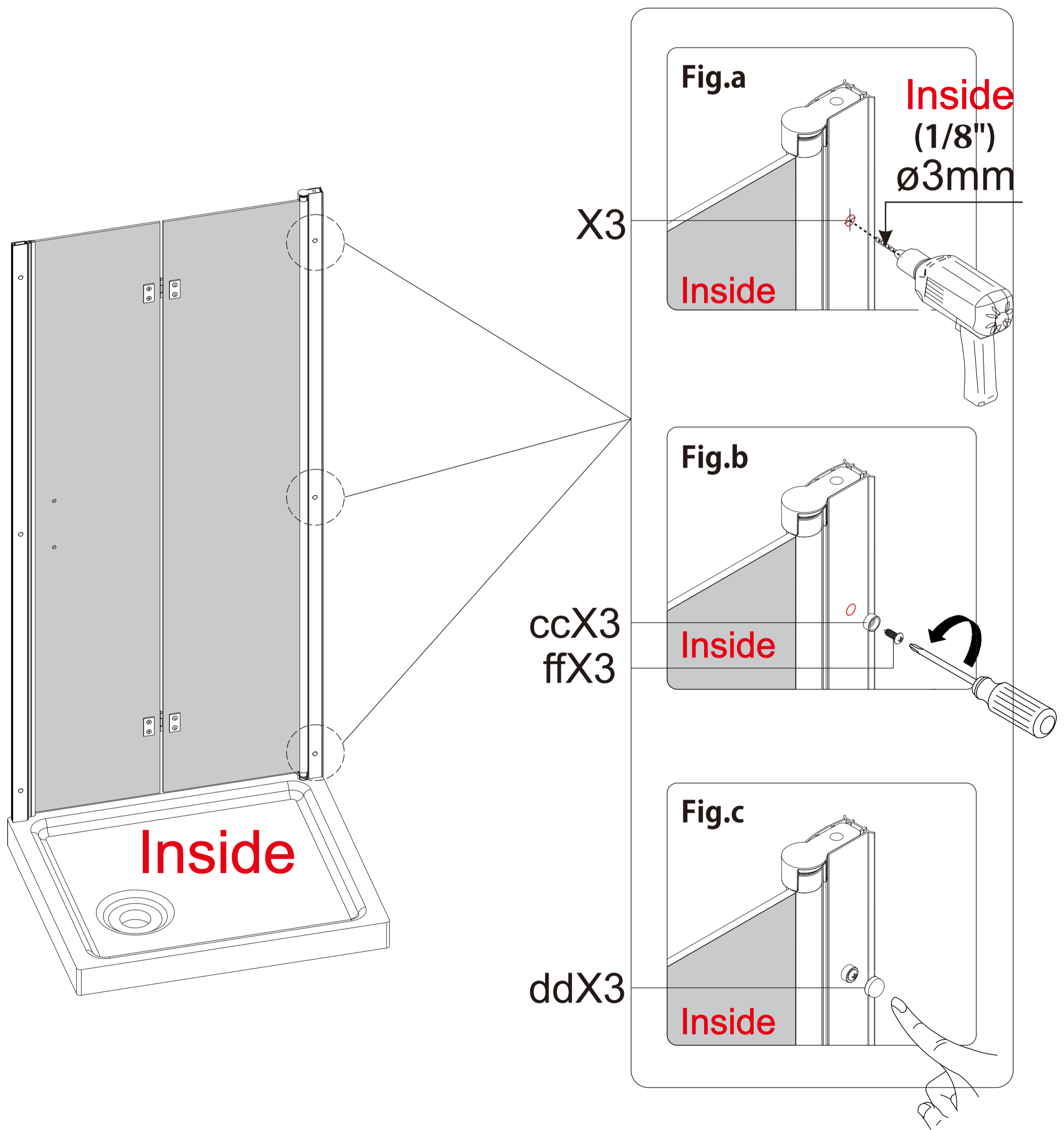
1. Drill 3 holes on the inside of the **Wall Jamb(G)** with 1/8"(3mm) drill bit as Fig.a .
2. Install **Screws(ff)** and screw cover cap **Washers(cc)** as Fig.b.
3. Install **Screw caps(dd)** as Fig.c.



# 15 Lock Upright Profile(B)

NOTE

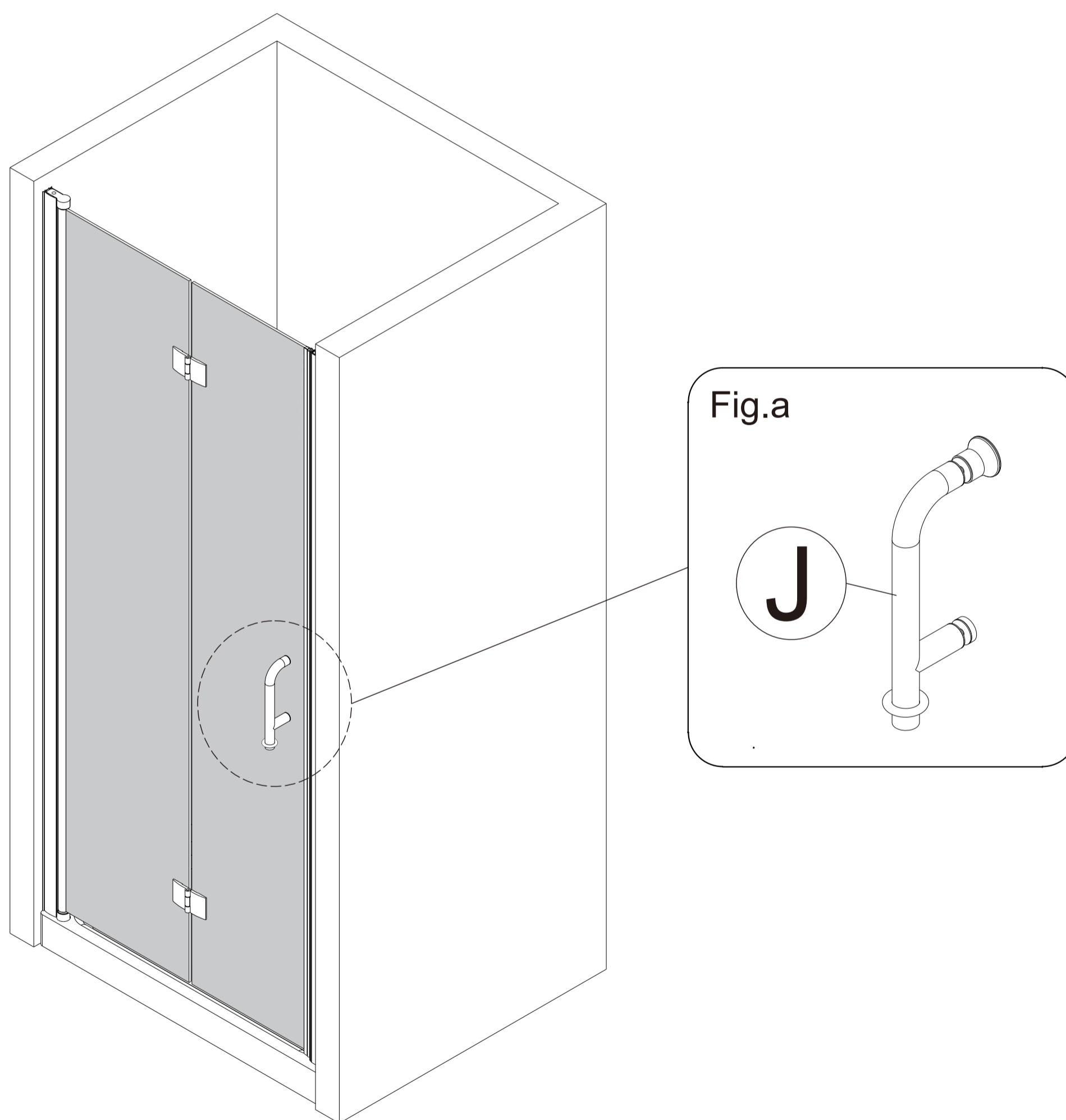
1. Drill 3 holes on the inside of the **Wall Jamb(A)** with 1/8"(3mm) drill bit as Fig.a .
2. Install **Screws(ff)** and screw cover cap **Washers(cc)** as Fig.b.
3. Install **Screw caps(dd)** as Fig.c.



**16** Install the **Handle(J)**

NOTE

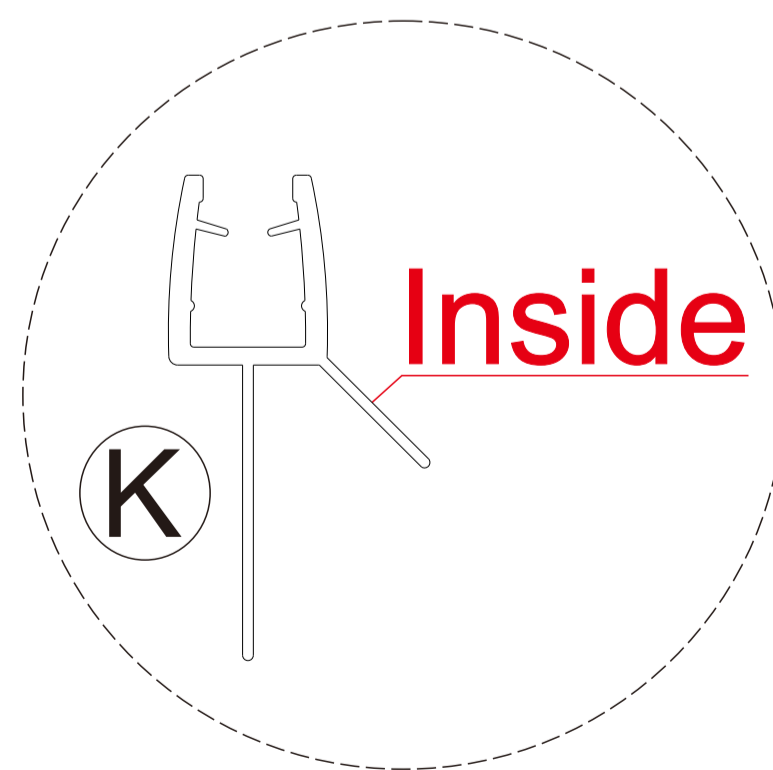
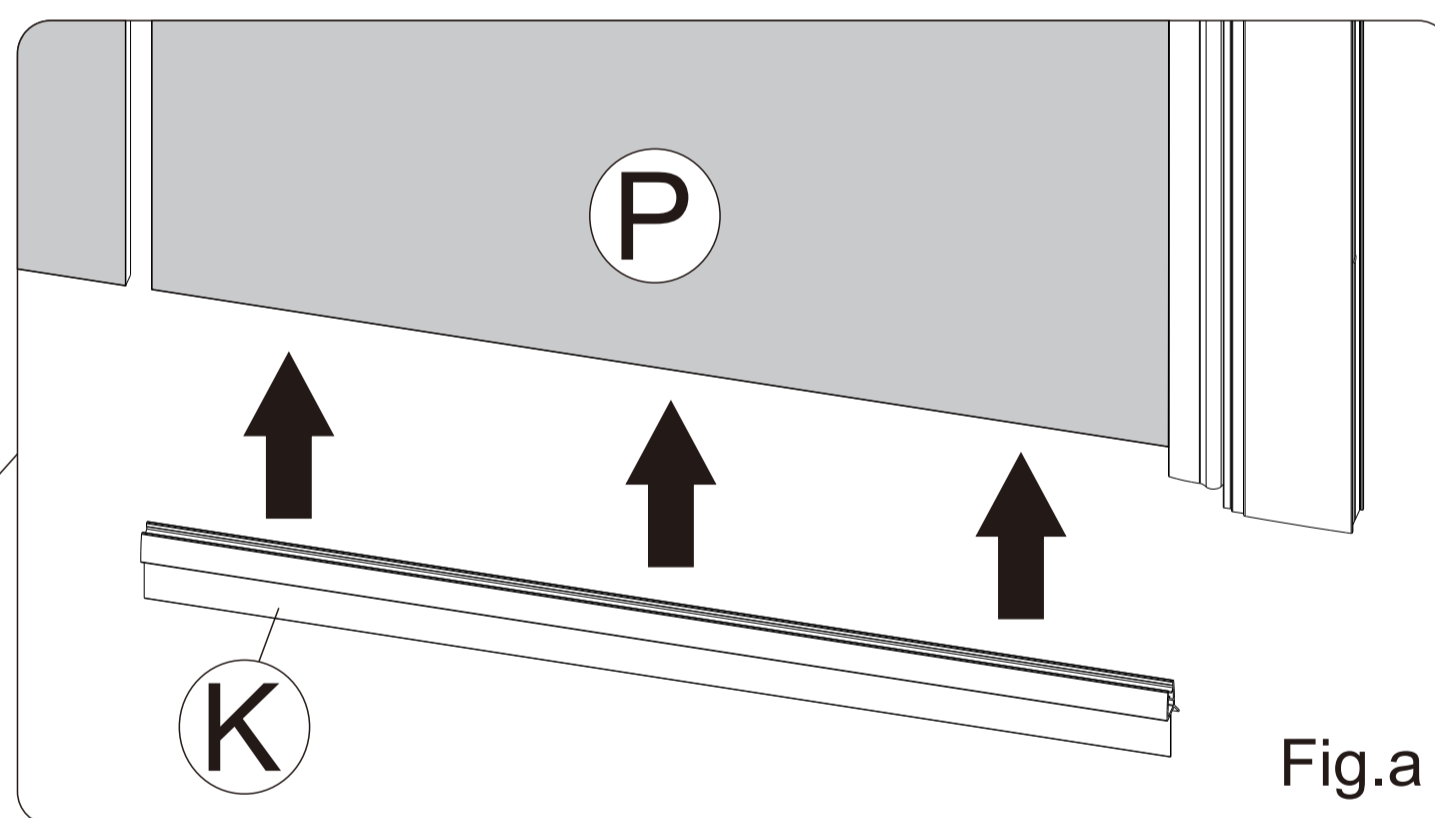
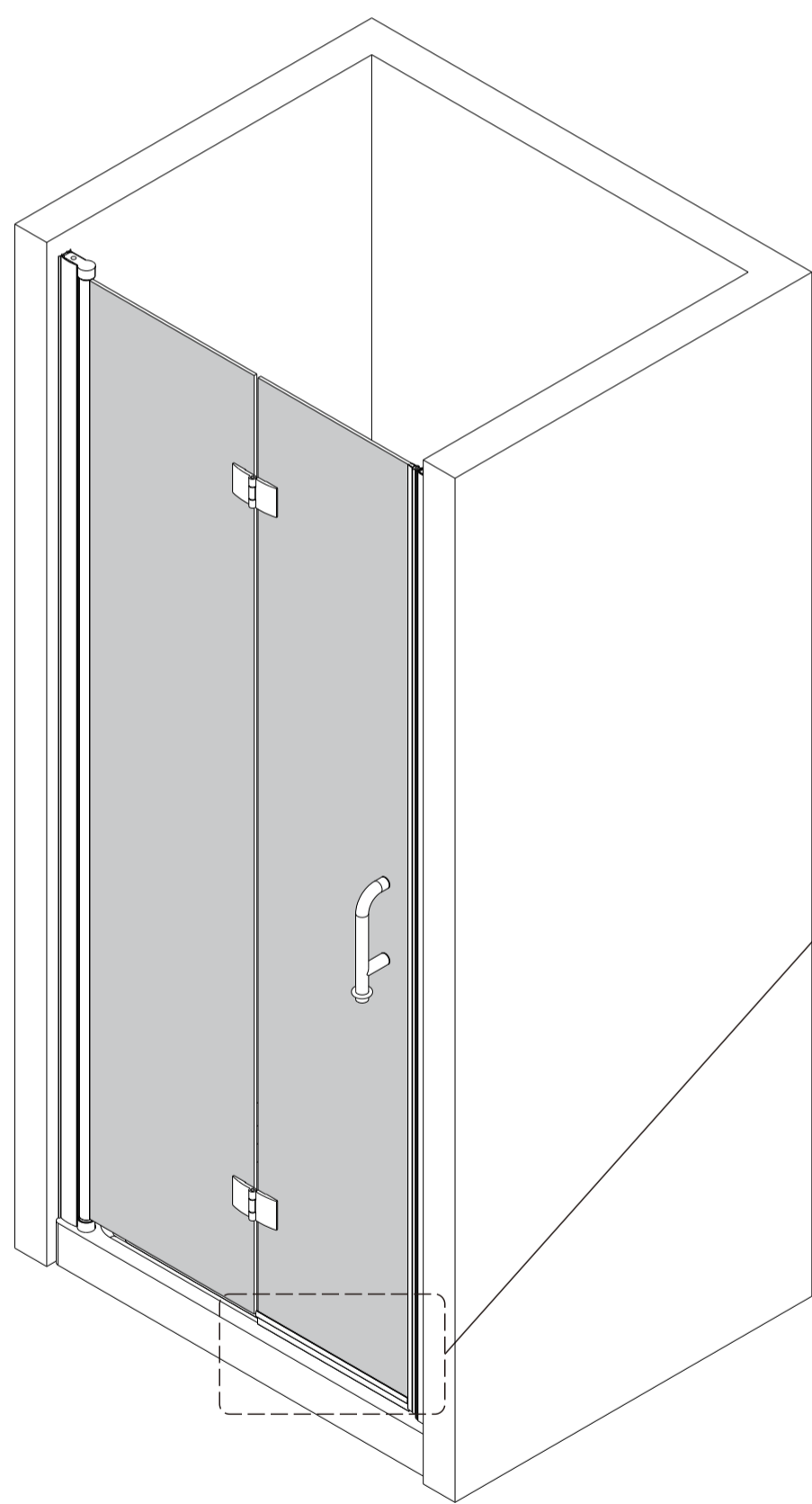
1. Install the **Handle (J)** on the **Glass Door (P)** as Fig.a.



**17** Install the **Bottom Anti-Water Strip(K)**

NOTE

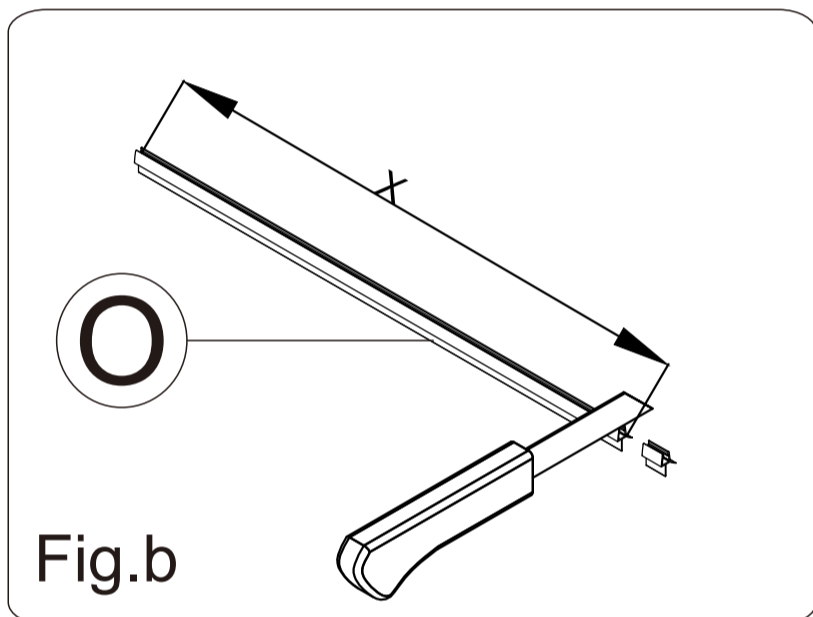
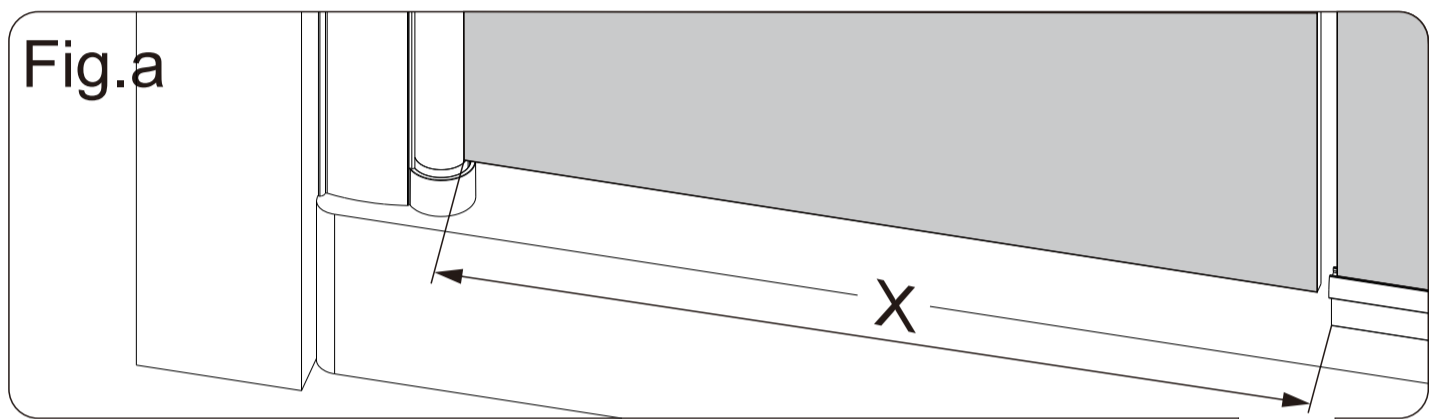
1. Install the **Bottom Anti-Water Strip(K)** on the **Glass door (P)** as Fig.a.



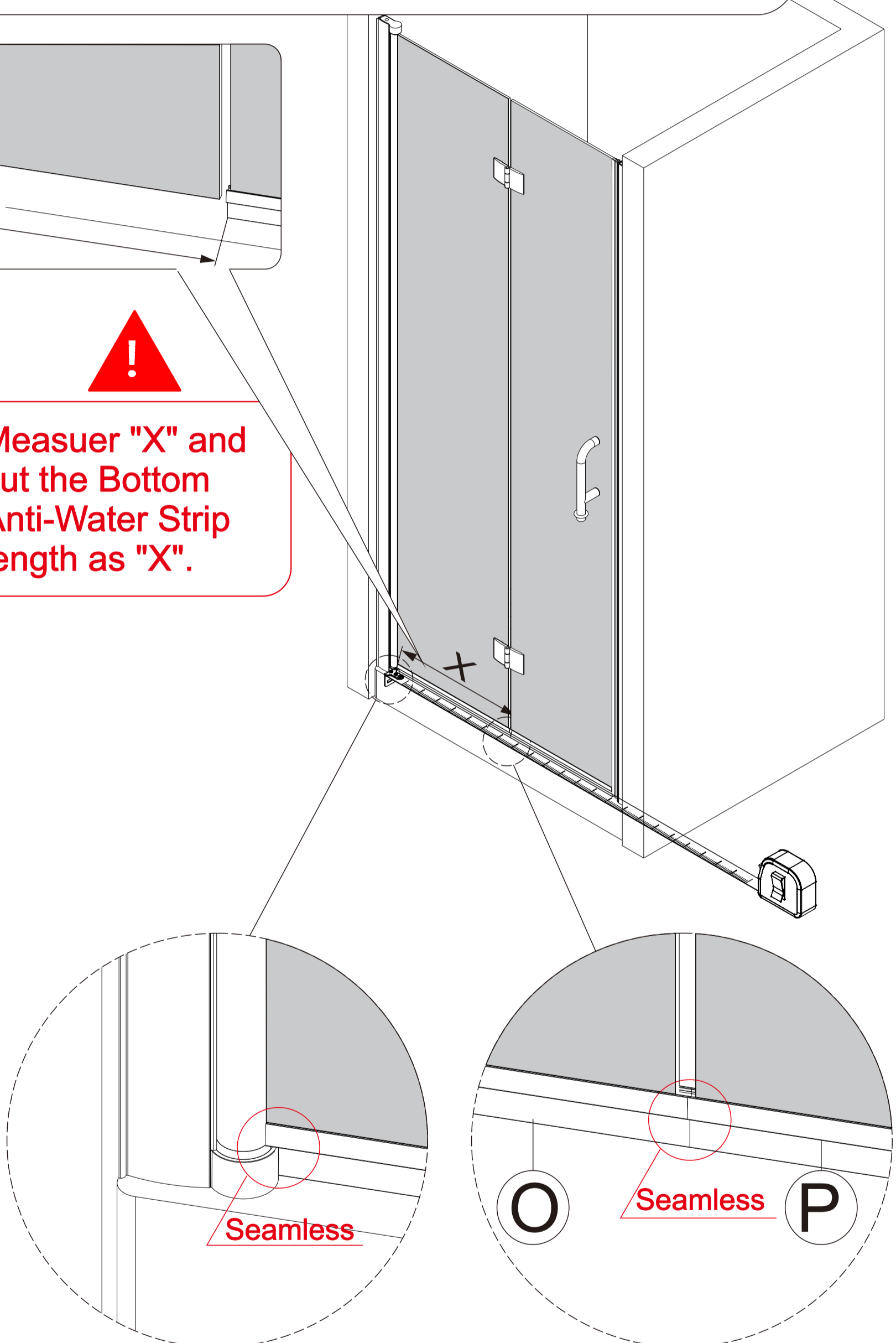
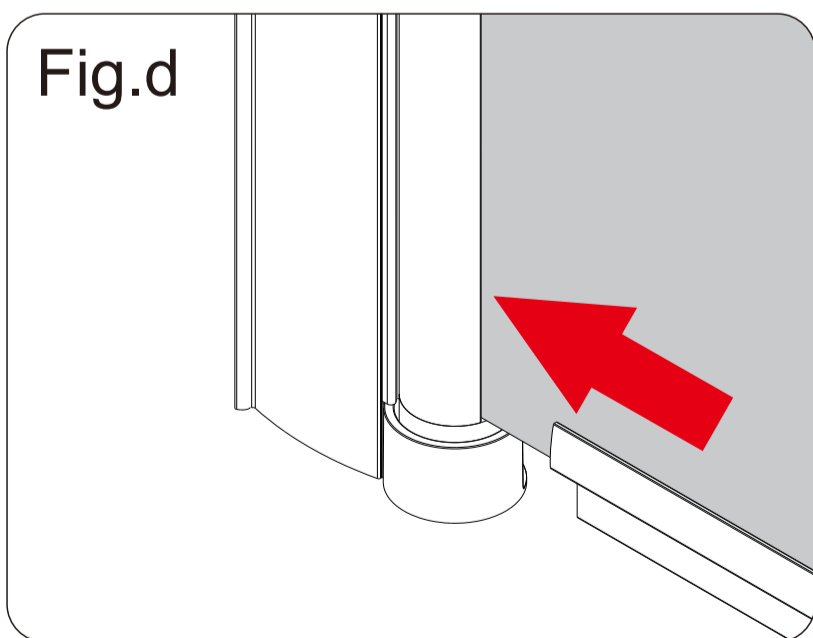
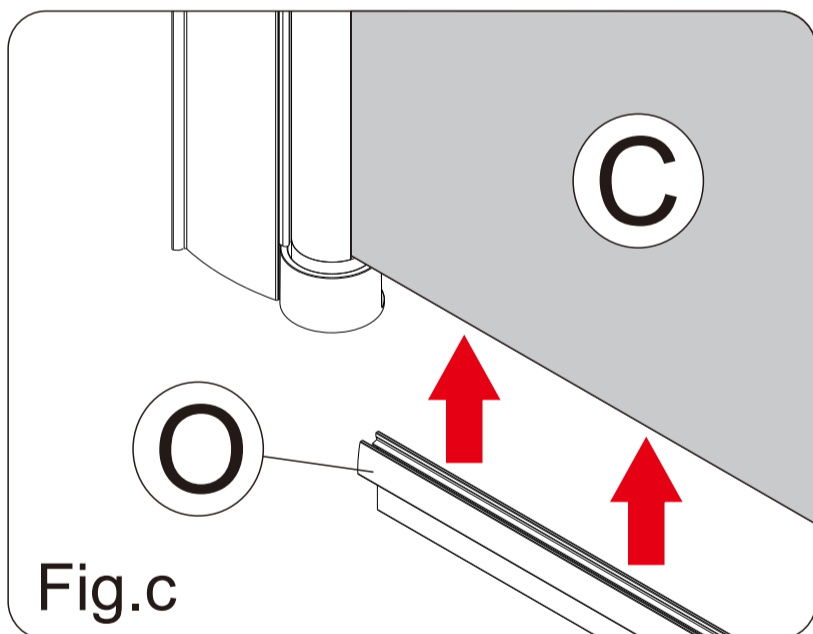
# 18 Install the Bottom Anti-Water Strip(O)

NOTE

1. Measure the distance X between the round pipe and the Bottom Anti-Water Strip(K) as Fig.a .
2. Cut the Bottom Anti-Water Strip(O) according to size X as Fig.b .
3. Install the Bottom Anti-Water Strip(O) to the Stationary Glass(C) as Fig.c and Fig.d .



! Measuer "X" and cut the Bottom Anti-Water Strip length as "X".

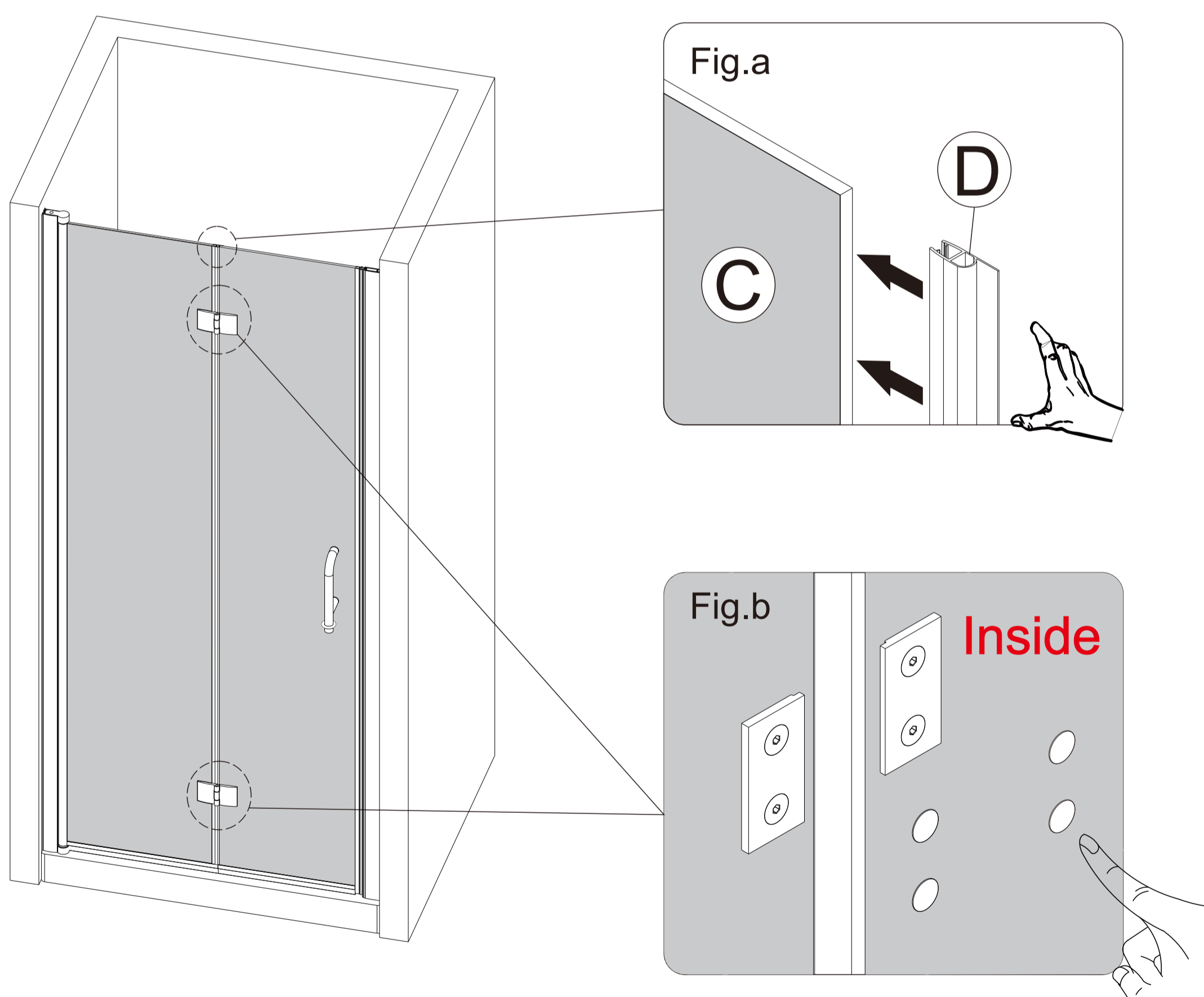
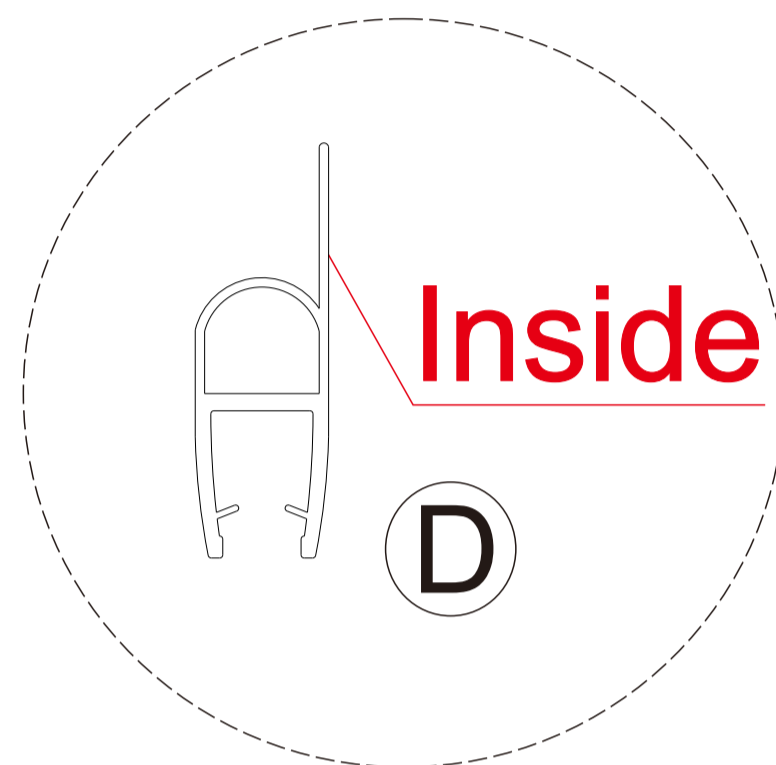


! The Bottom Anti-Water Strip (O) needs to be inserted to the end

# 19 Install the **Anti-Water Strip(D)**

NOTE

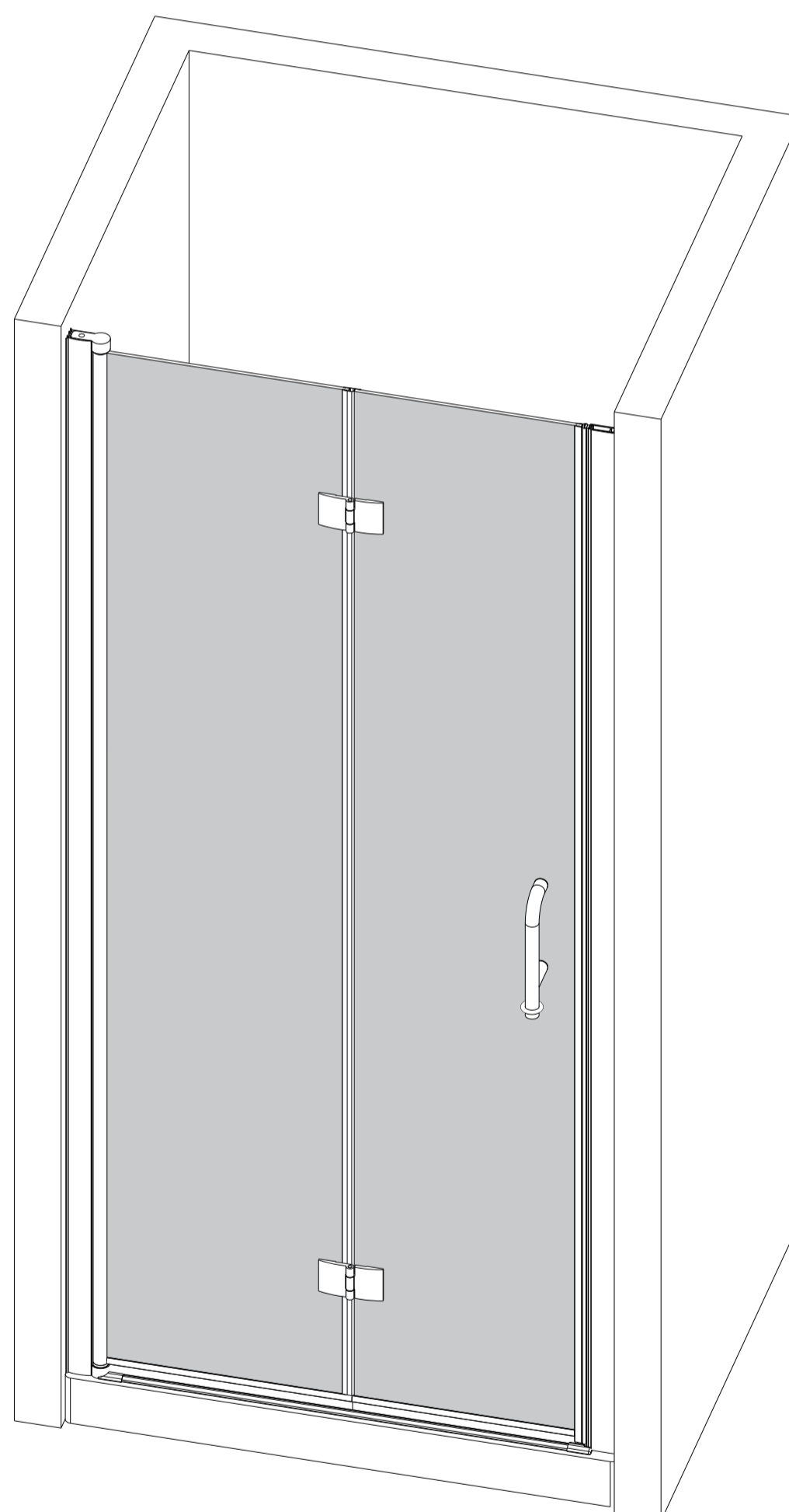
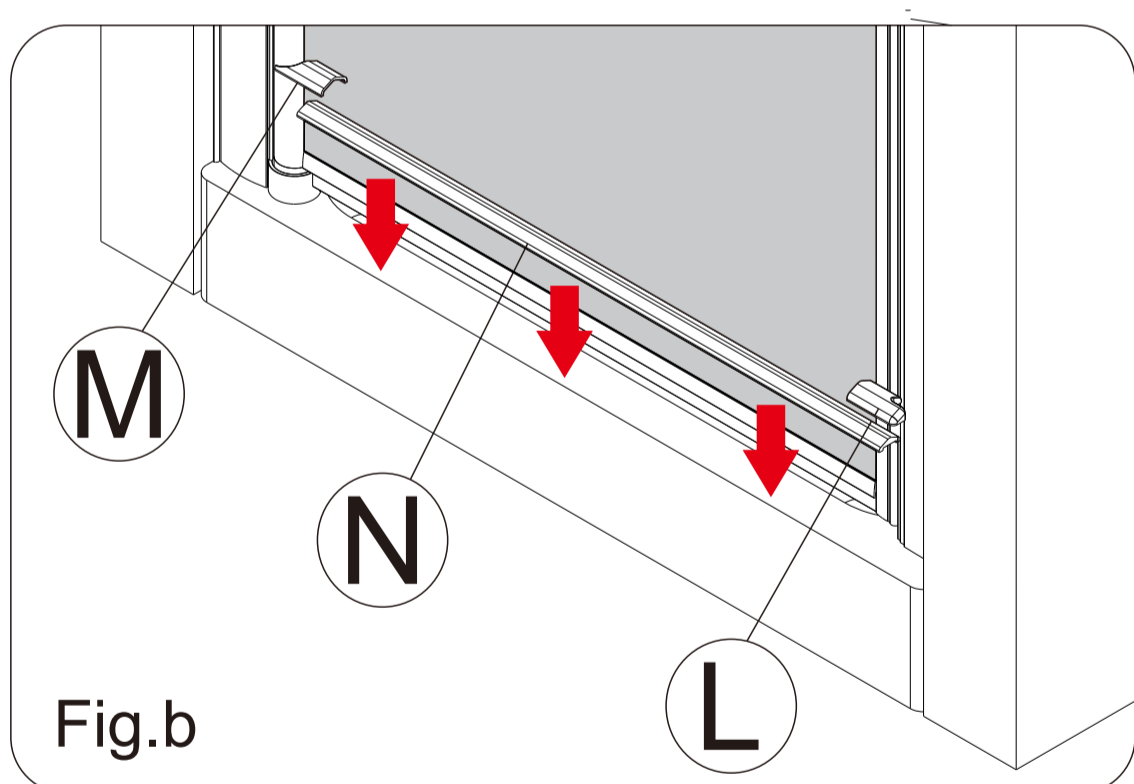
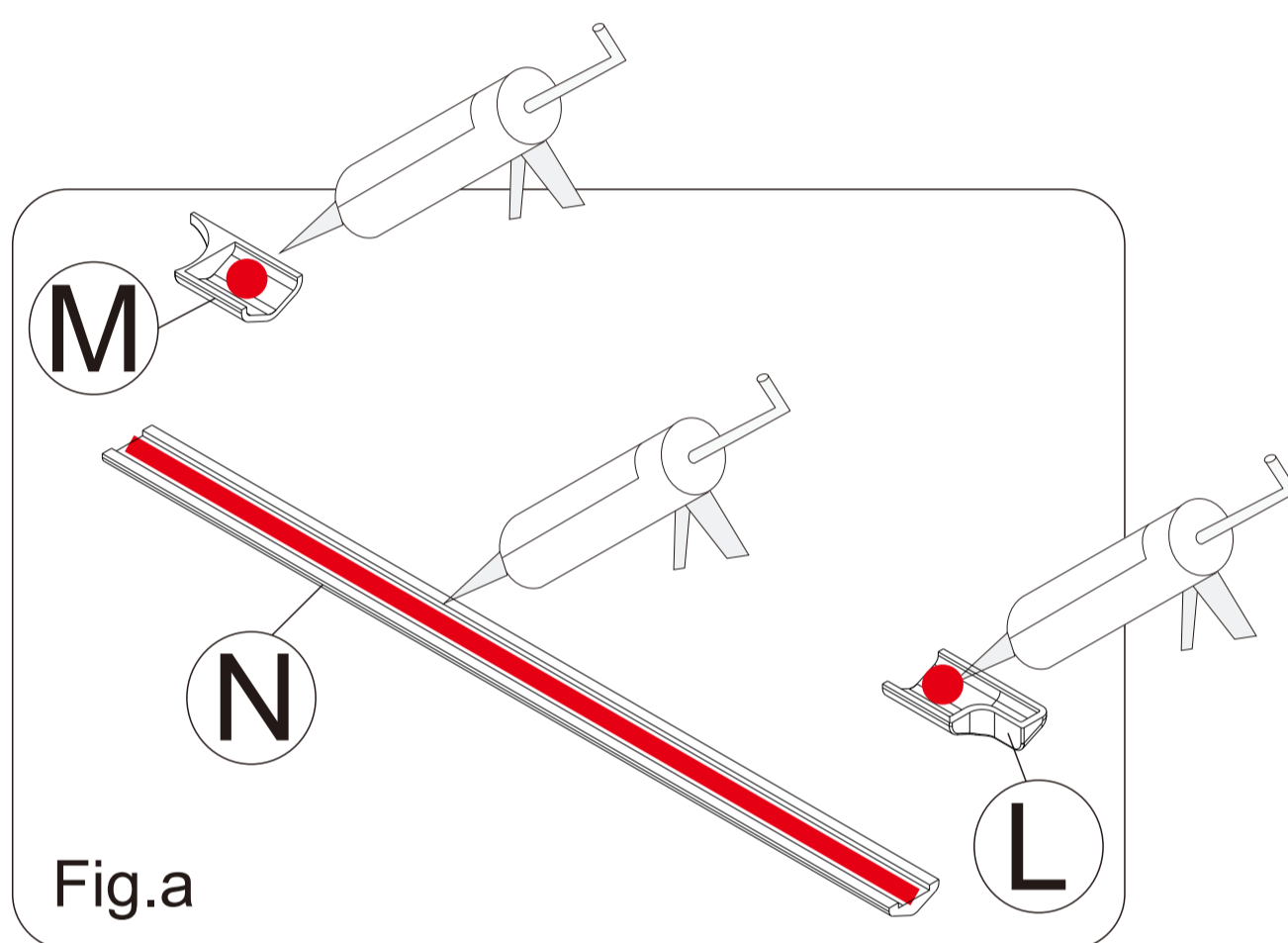
1. Install the **Anti-Water Strip(D)** on the **Stationary Glass(C)** as Fig.a .
2. Install the **Hinged(Q)** trim cover as Fig.b



**20** Install the **Alu. Threshold(N)** and **Connector(L&M)**

NOTE

1. Apply glass glue to the bottom of the **Alu. Threshold(N)** to prevent water seepage as Fig.a
2. Install the **Alu. Threshold(N)** and **Connector(L&M)** as Fig.b



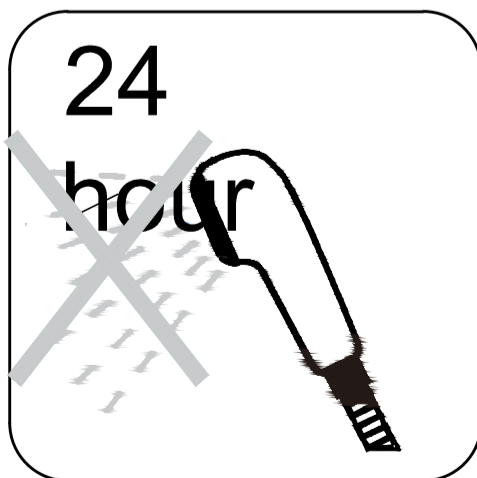
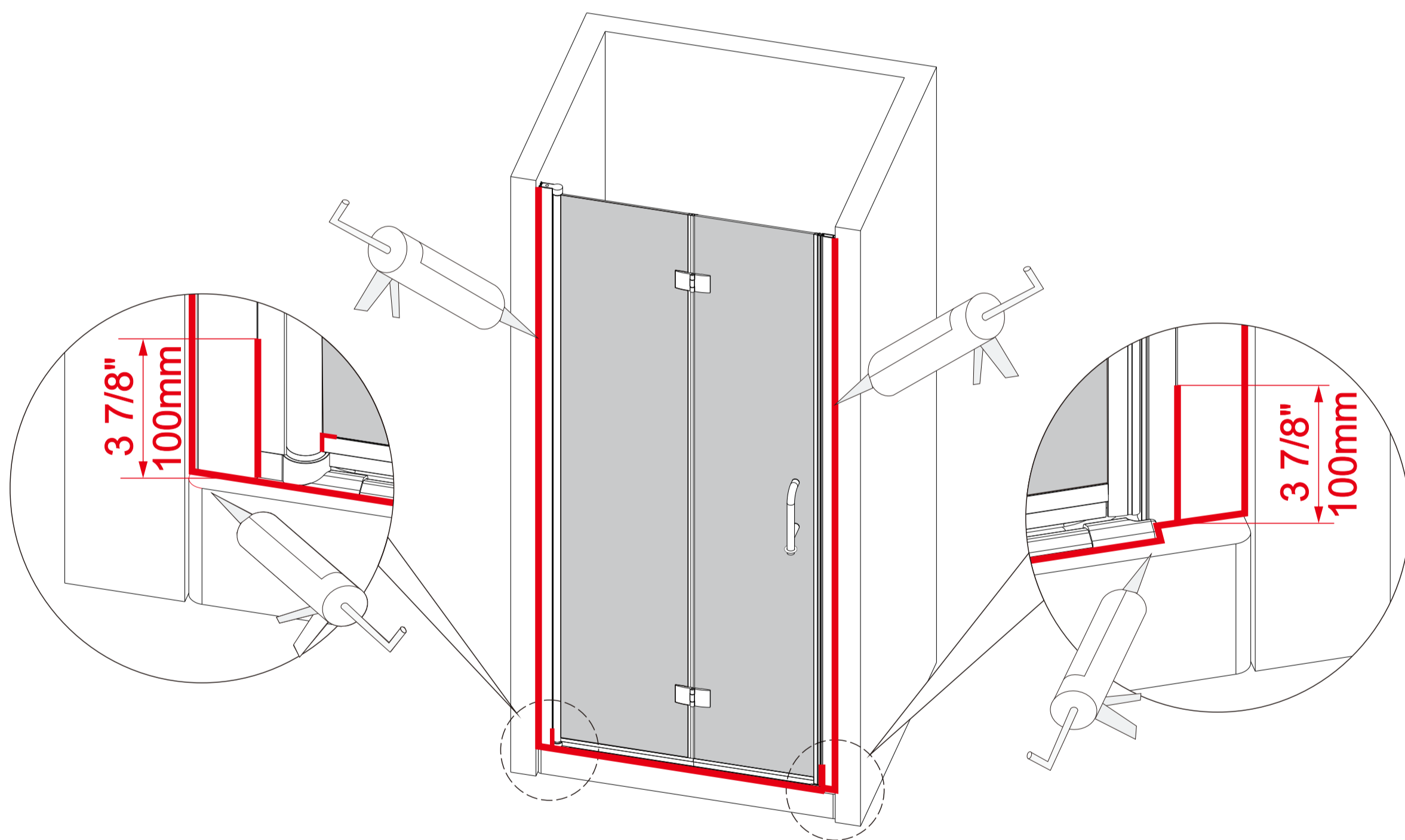
## 21 SEALING

**NOTE** The surfaces need to be clean and free of debris before applying silicone.

**NOTE** Make sure that the Shower door closes tightly and opens smoothly. Apply a good quality silicone sealant along the **Wall Jamb(A&G)** and **Alu. Threshold(N)**.



Allow 24 hours for the silicone to cure before using the shower.



**!** Apply Silicone Sealant, (not supplied).



The shower room needs to be sealed inside and out

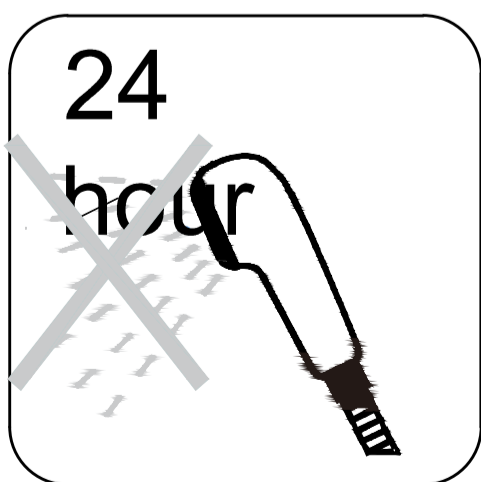
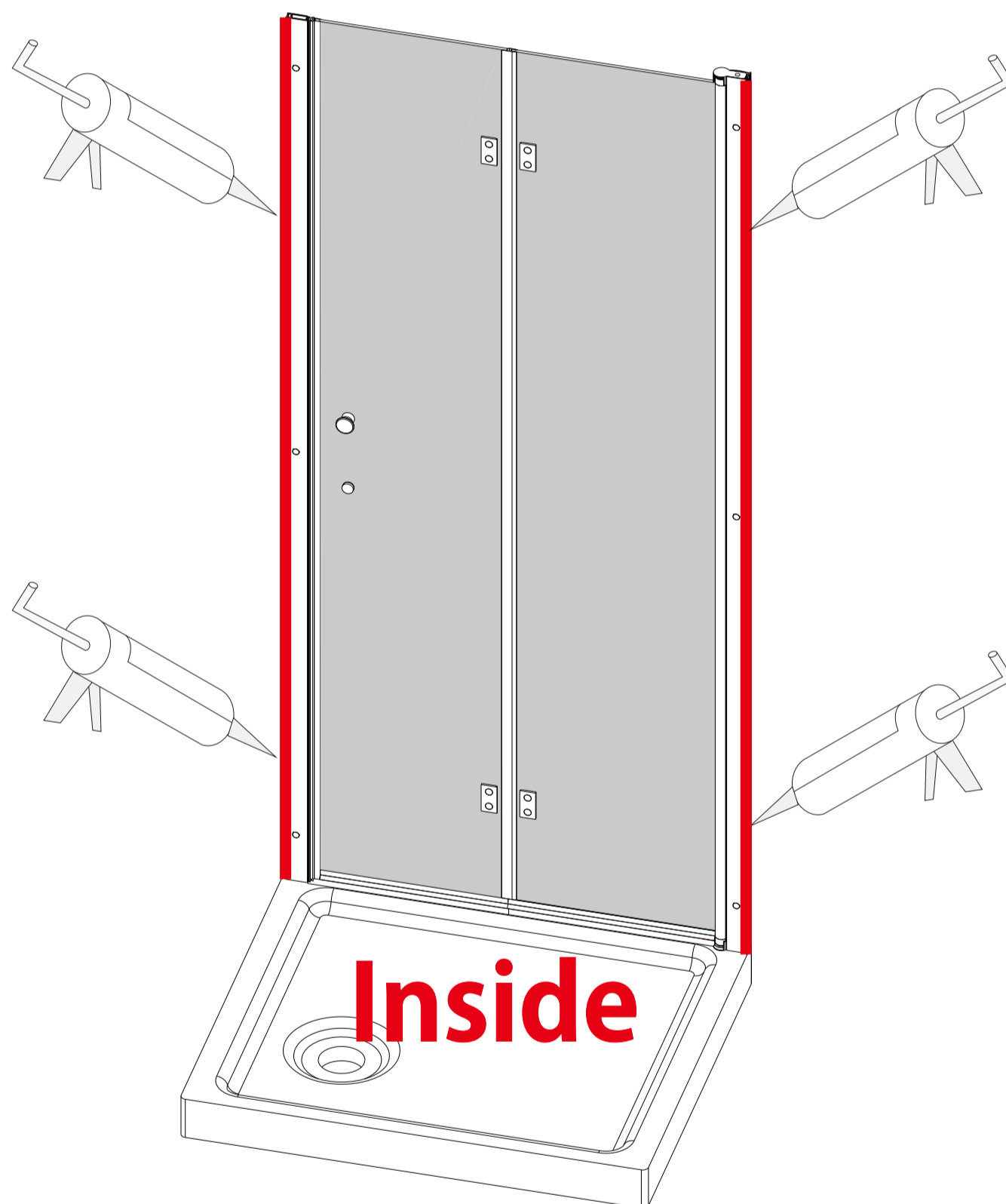
## 22 SEALING

**NOTE** The surfaces need to be clean and free of debris before applying silicone.

**NOTE** Make sure that the Shower door closes tightly and opens smoothly. Apply a good quality silicone sealant along the **Wall Jamb(A&G)**



Allow 24 hours for the silicone to cure before using the shower.



**!** Apply Silicone Sealant,(not supplied).



The shower room needs to be sealed inside and out