

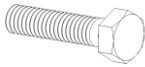





KEEP INSTRUCTIONS
FOR FUTURE USE

SKU# 51030906 Assembly Instructions

ASSEMBLY REQUIRES
TWO PEOPLE

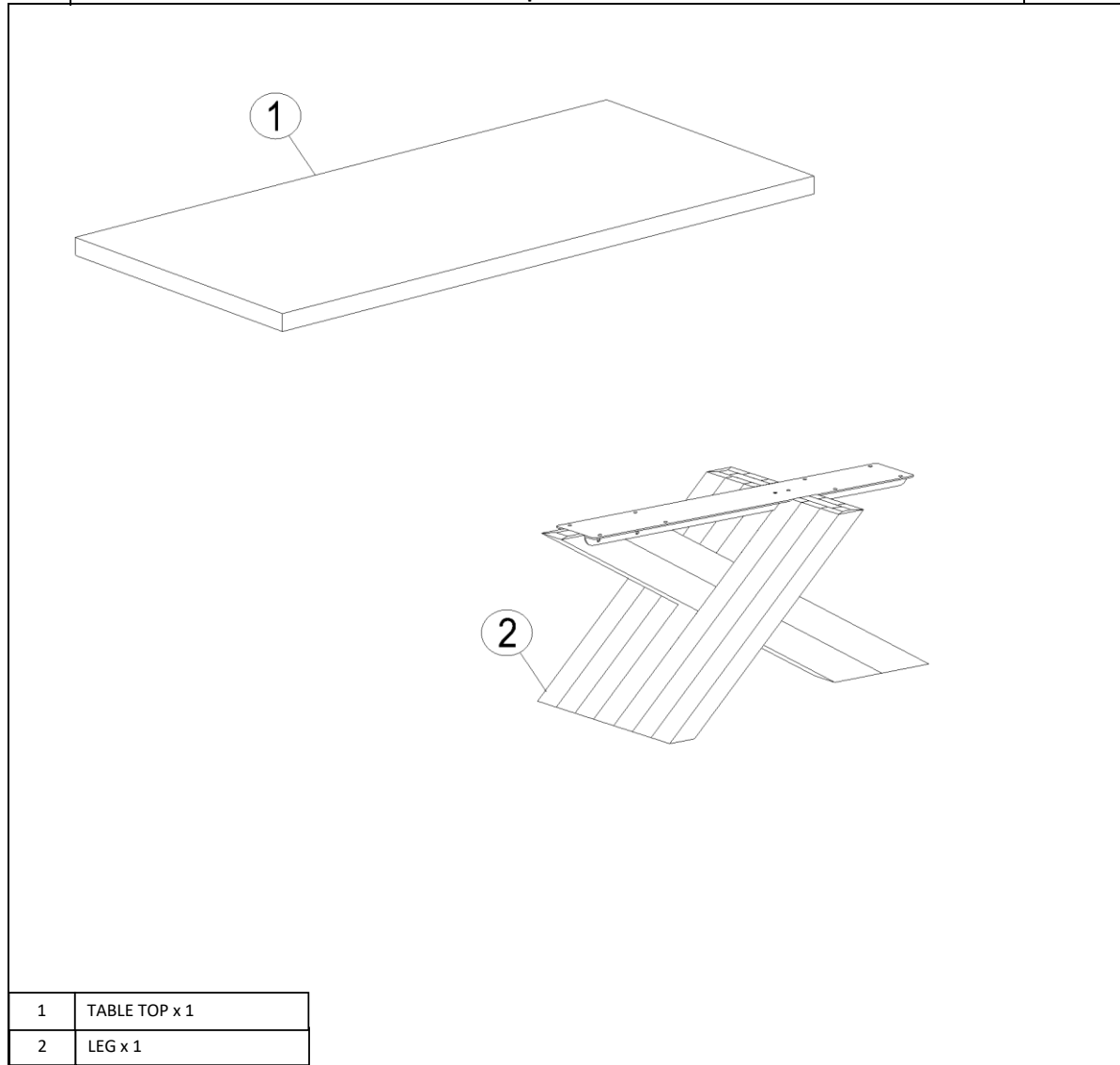


Hardware and Tools		
A	BOLT 0.31" x 1.18" Ø 8mm x 30mm	
	Qty: 08	
B	WASHER 0.31" x 0.74" x 0.07" Ø 8mm x 19mm x 2mm	
	Qty: 08	
C	OPEN WRENCH K13	
	Qty: 01	
D	RUBBER WASHER 0.31" x 0.78" x 0.15" Ø 8mm x 20mm x 4mm	
	Qty: 08	

Before Starting:

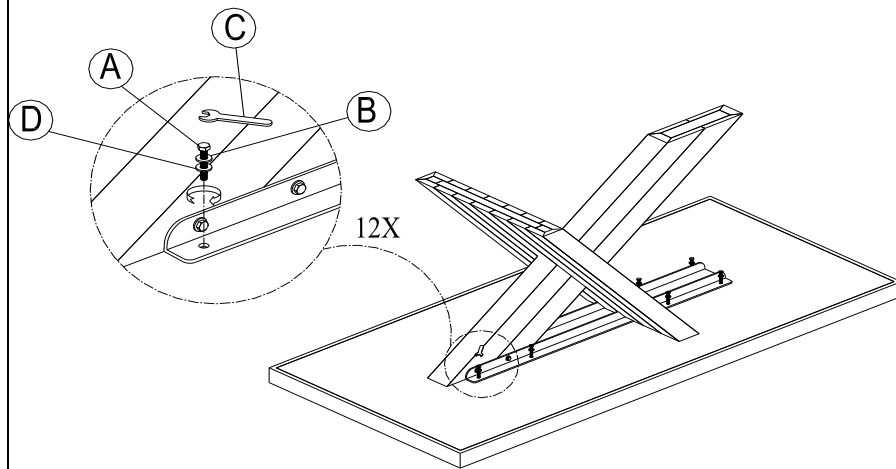
1. Choose a clean, level, spacious assembly area. Avoid hard surfaces that may damage the product.
2. Always read the instructions carefully before beginning assembly to ensure that you have all required contents.
3. To prevent choking hazards, keep the packaging material out of reach of small children
4. Do not over tighten the bolts as this may damage the thread.
5. Use only vendor supplied hardware to assemble. Using unauthorized hardware could jeopardize the structural integrity of the item.
6. The use of power tools to aid in assembly is not recommended. Power tools can damage hardware and split wood.

Components:



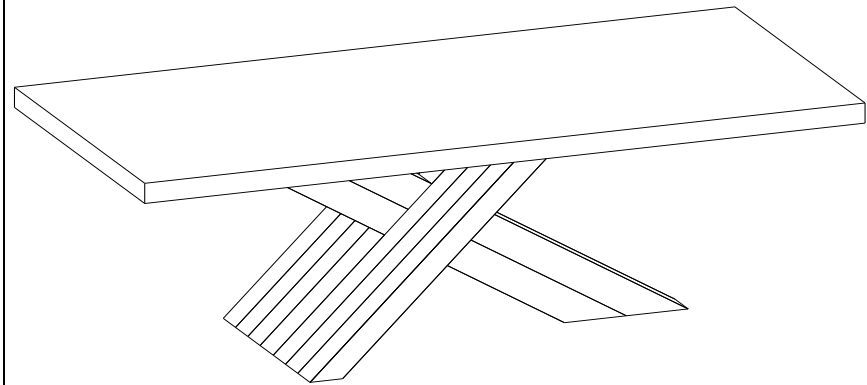
Assembly Instructions Continued

Step 2:



- Install the whole leg into the Table Top (1) by using Open Wrench (C) to tighten Bolts (A), Washers (B) and Rubber Washers (D).

Step 3:



- With two people carefully turn the table over and stand on its legs.
- Completed item.