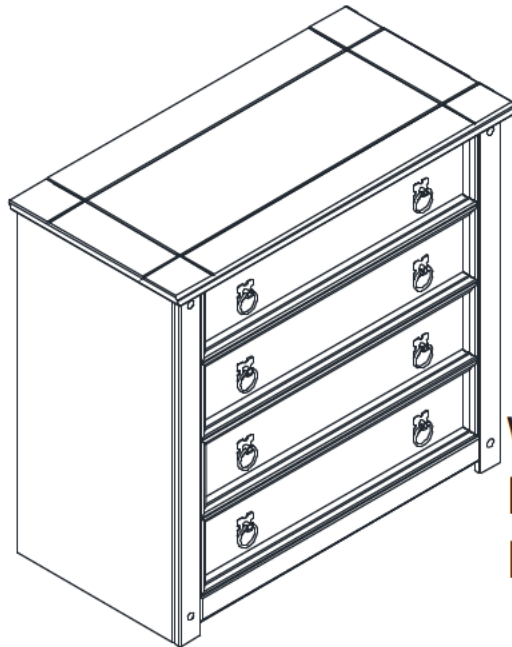
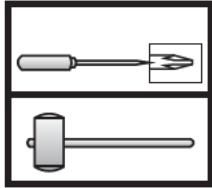
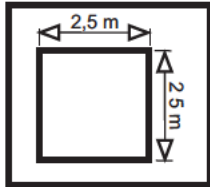
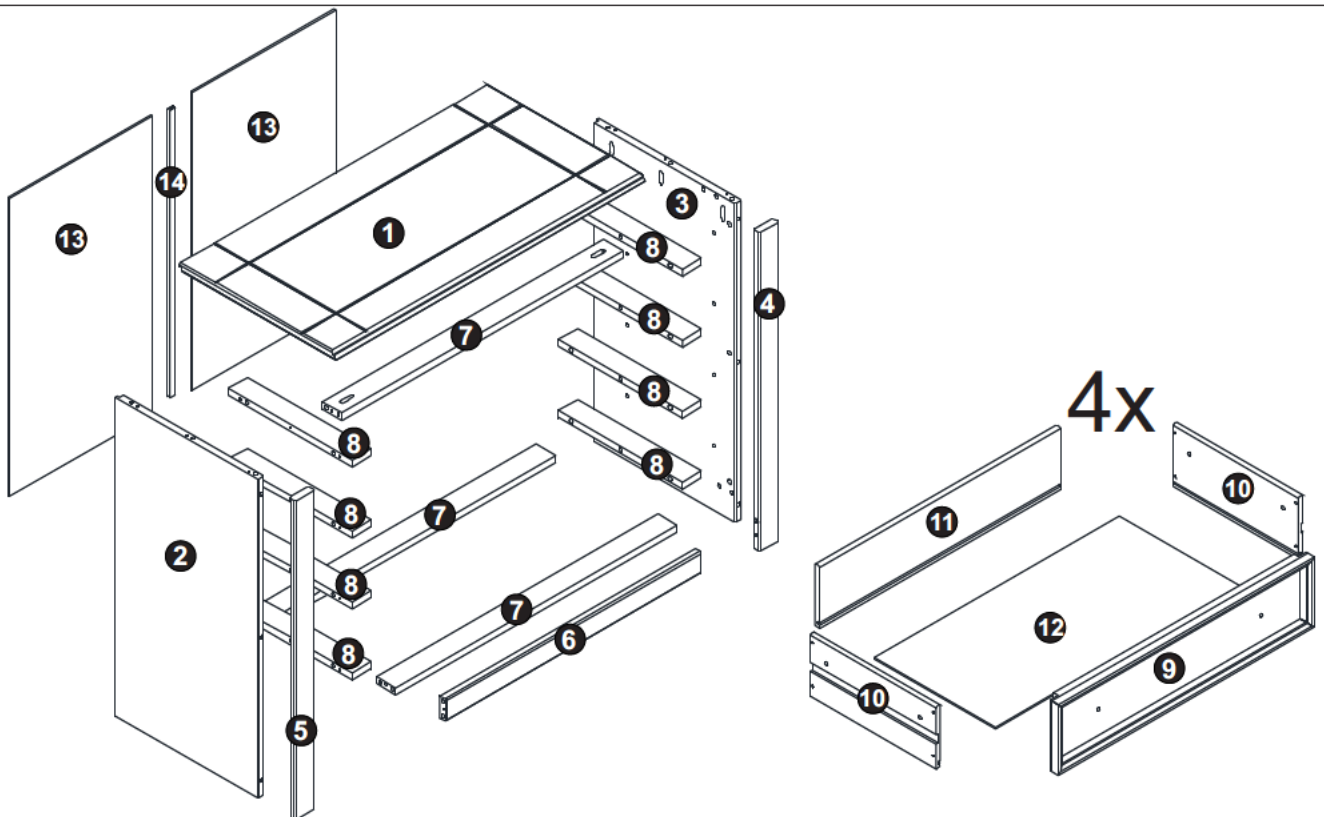


SMALL 4 DRAWER CHEST











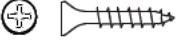
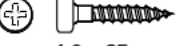



Width = 80cm
Depth = 40,5cm
Height = 73,2cm

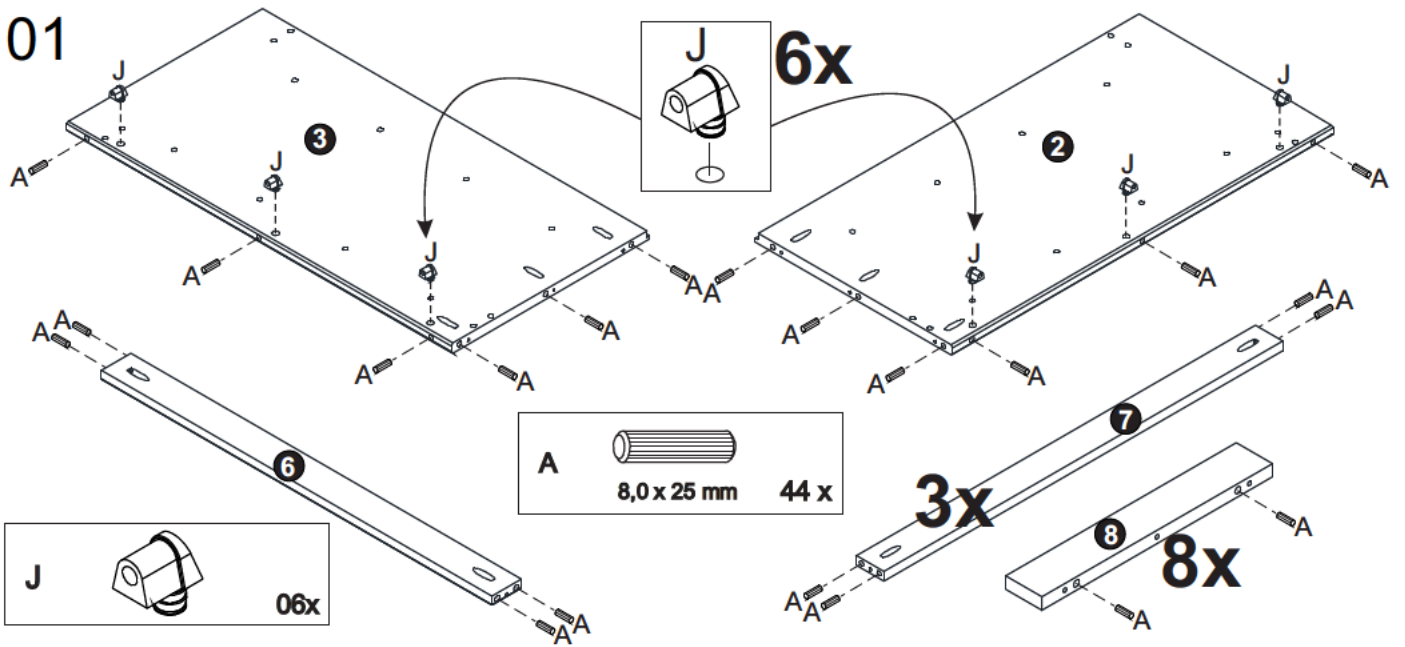
- Please check that all fittings are correct before assembling the item.
- Replacement parts can be supplied for any damages to the item.
- Please keep all packaging until the item is assembled as we will require information from this if replacement parts are required.



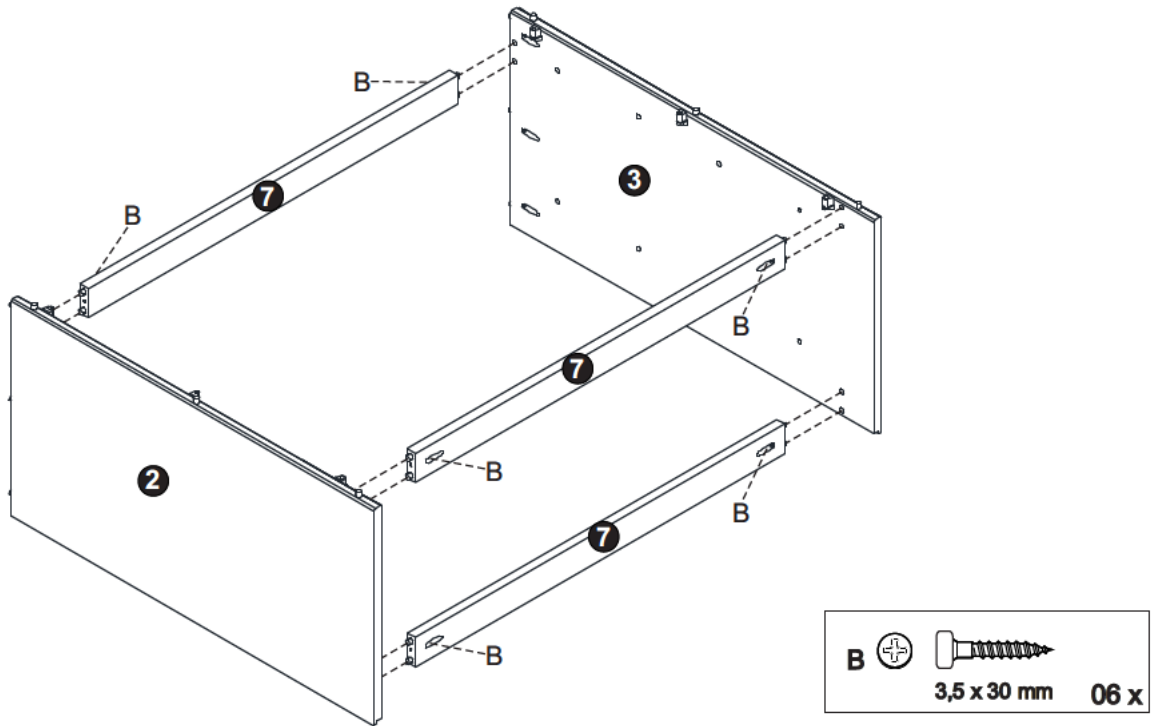
4x

A  8,0 x 25 mm 44 x	D  8 x 8 24 x	G  04 x	J  06x
B  3,5 x 30 mm 38 x	E  08 x	H  3,0 x 14 mm 02 x	K  01x
C  8,0 x 40 mm 08 x	F  08 x	I  3,0 x 30 mm 32 x	L  4,0 x 25 mm 06 x
			Y  01x

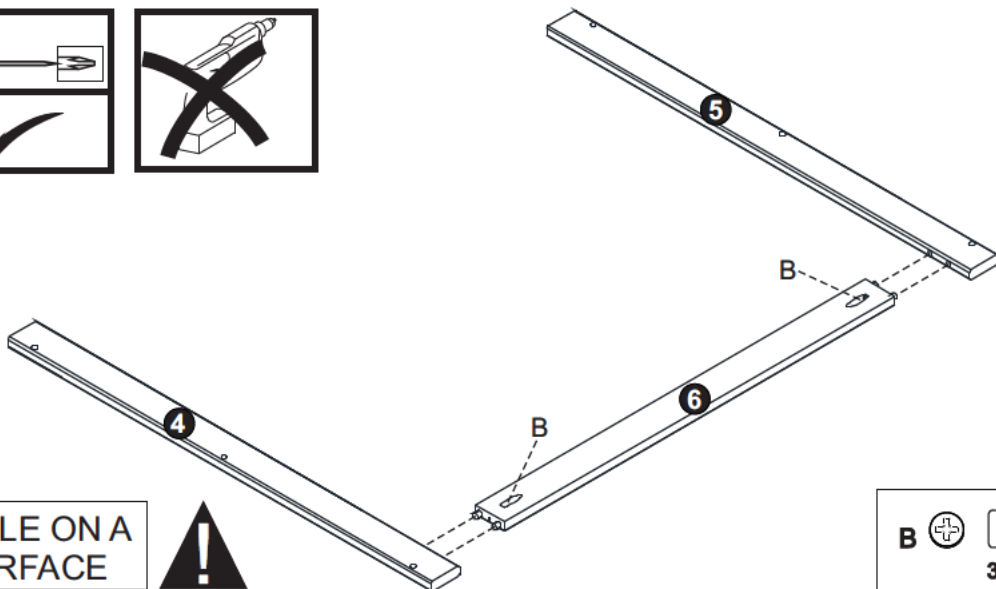
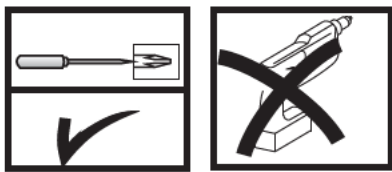
01



02



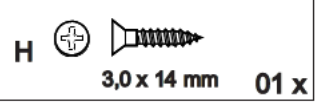
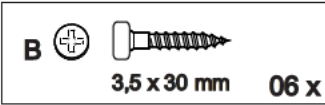
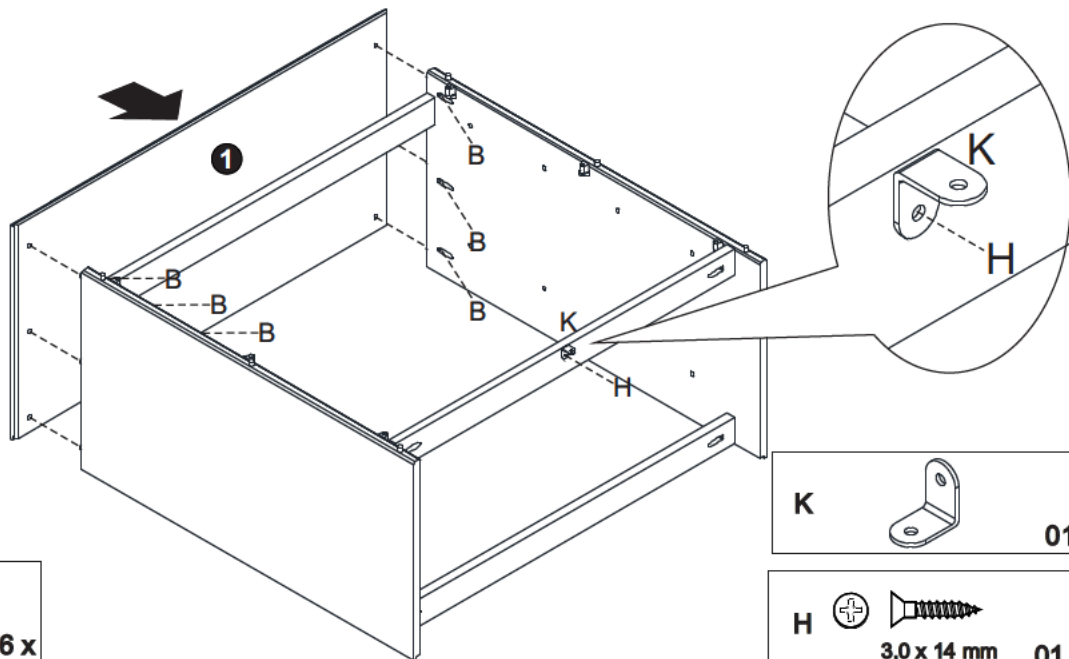
03



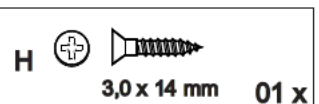
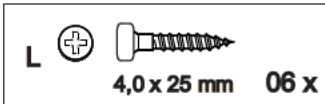
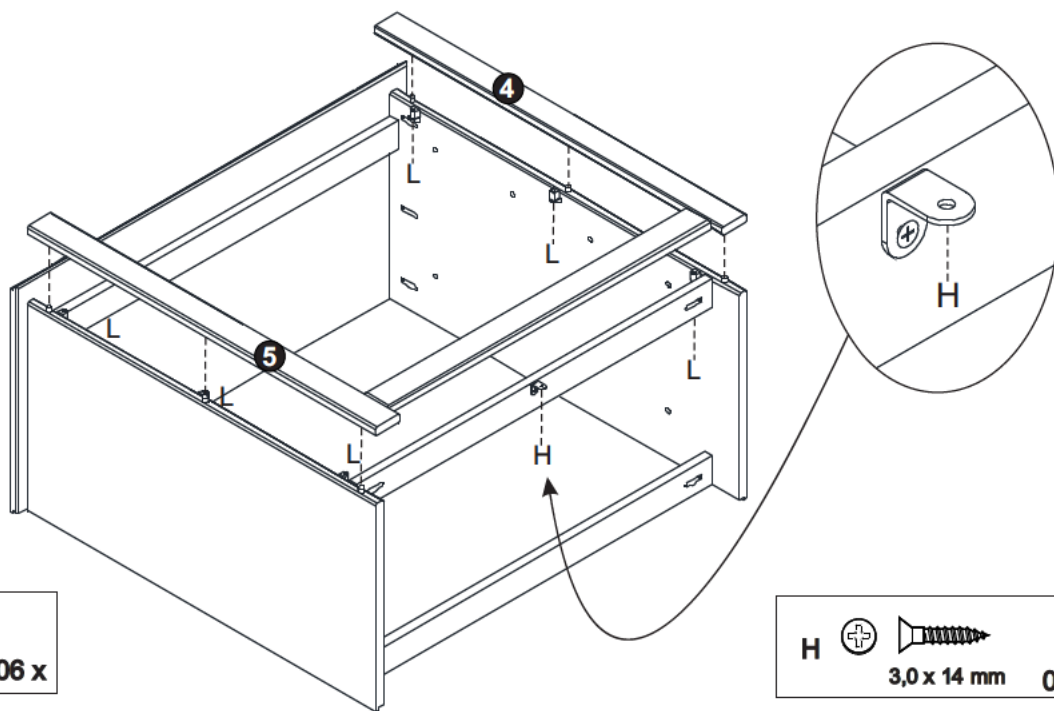
ASSEMBLE ON A FLAT SURFACE



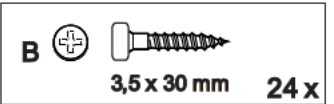
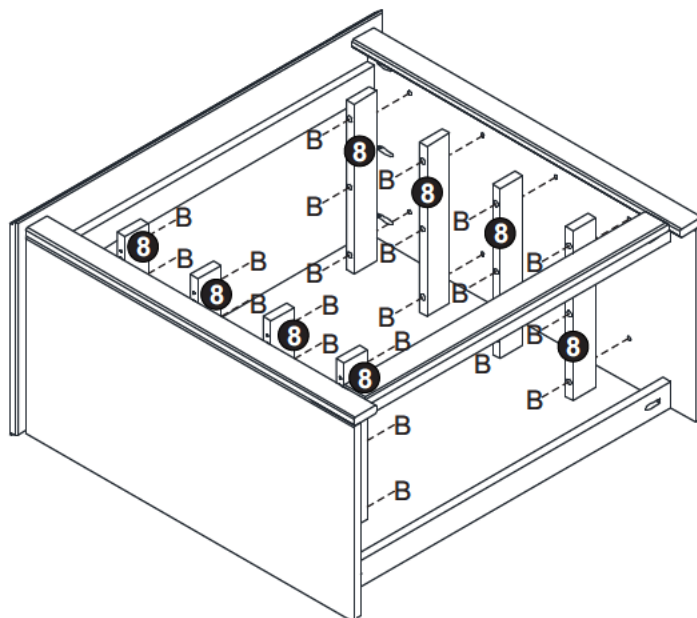
04



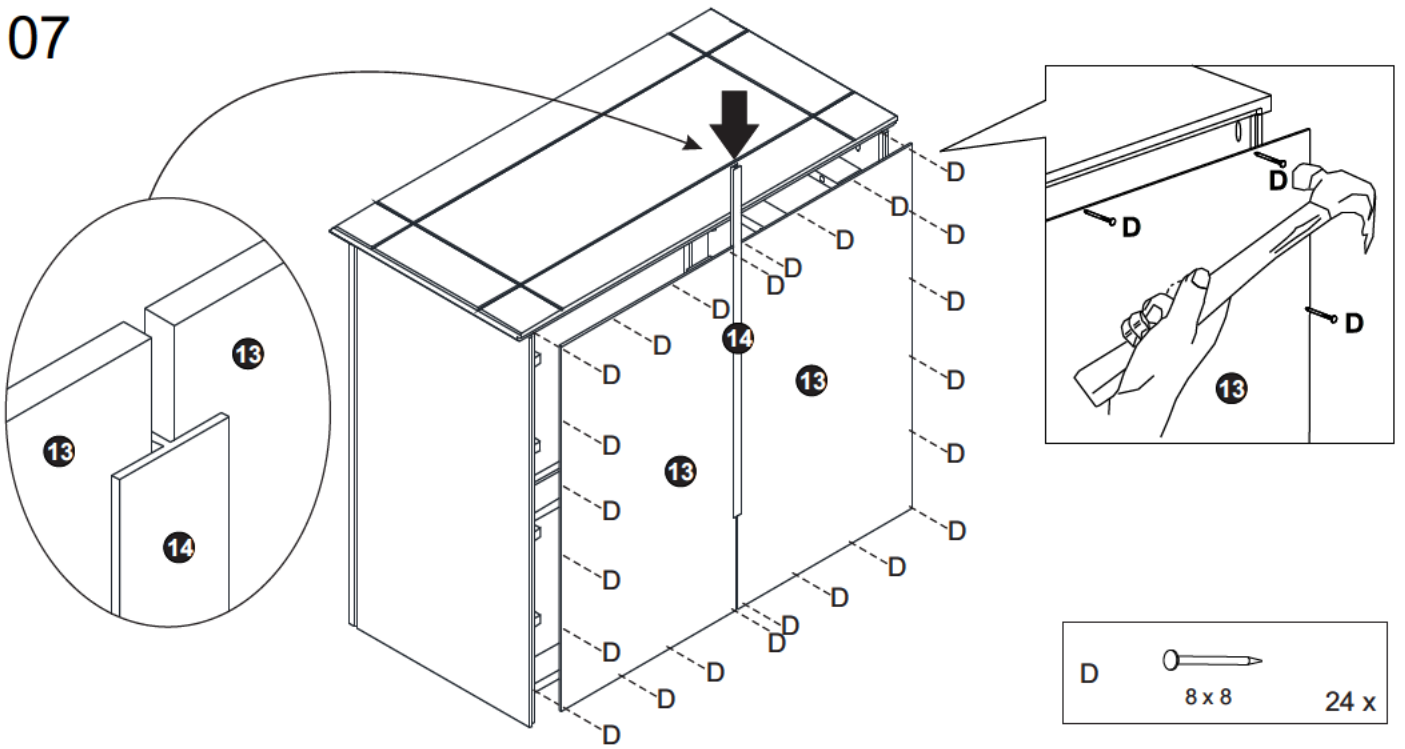
05



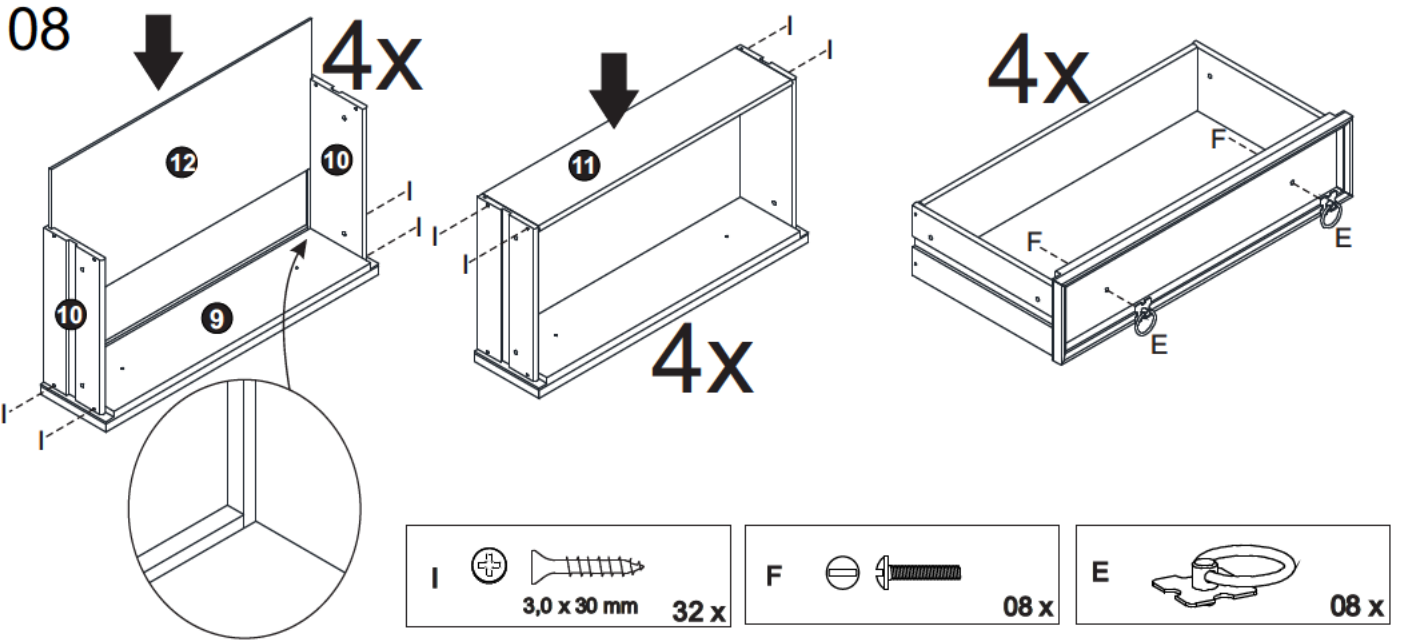
06



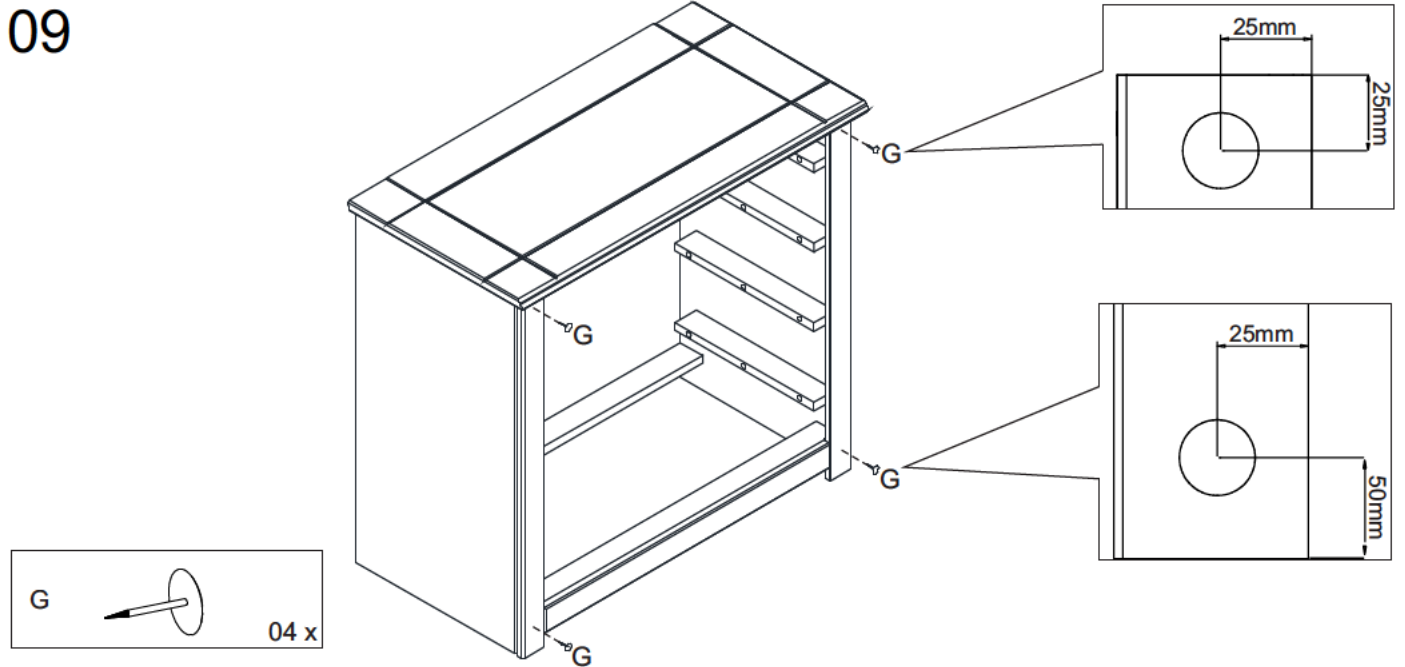
07



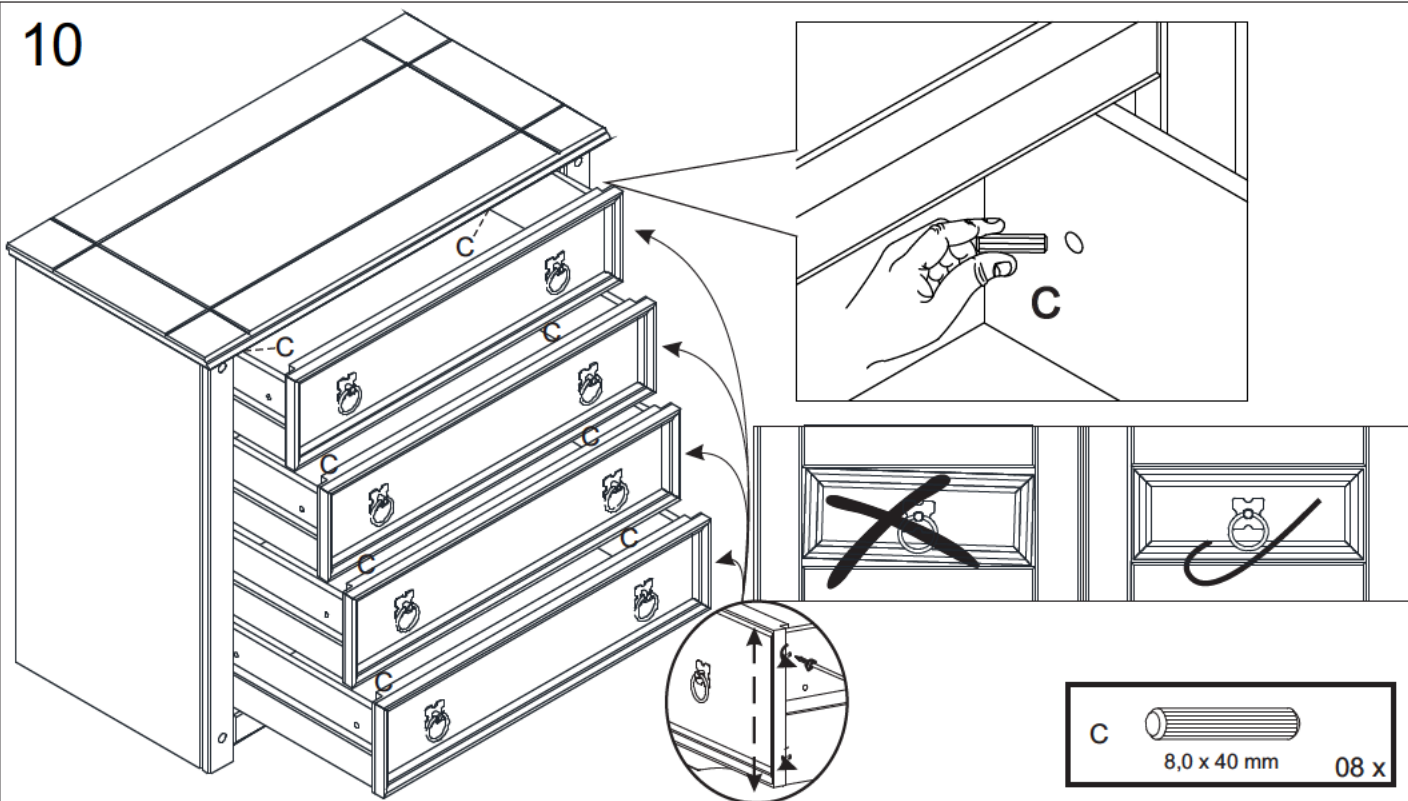
08



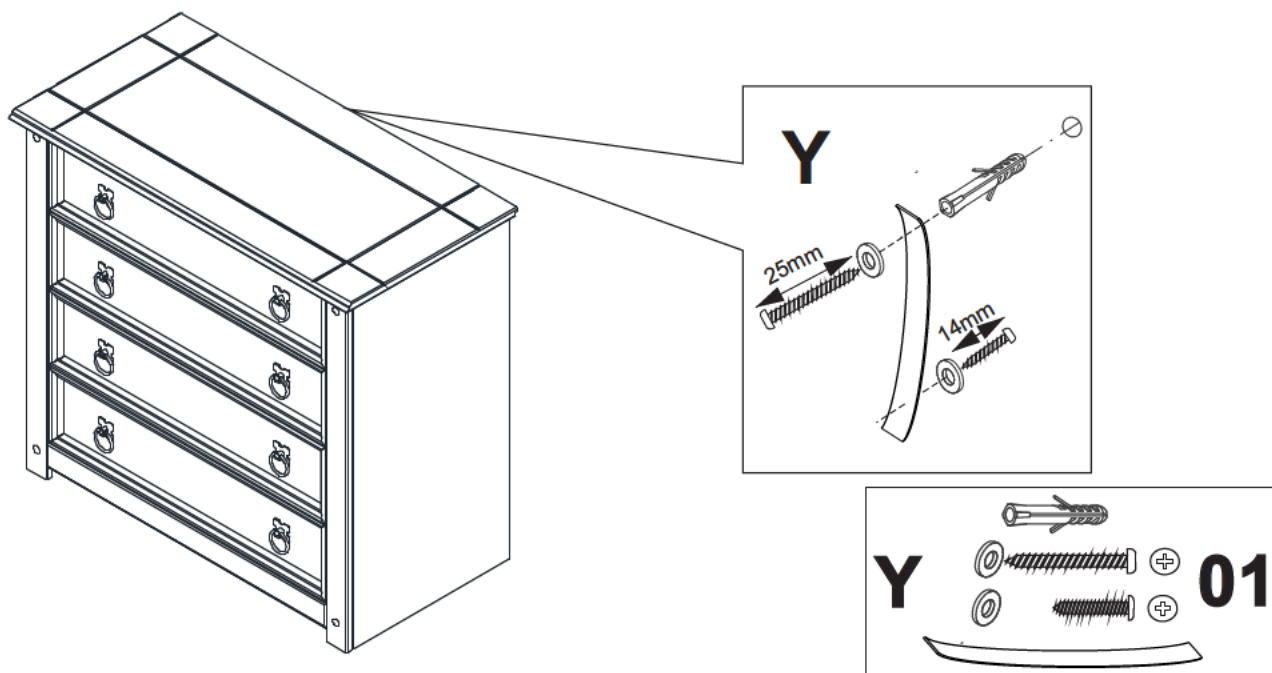
09



10



11



WARNING: CHECK FOR HIDDEN PIPES AND CABLES BEFORE DRILLING.

IMPORTANT: IF YOUR WALLS ARE NOT SOLID LIKE BRICK OR STONE, IT WILL REQUIRE SPECIAL FITTINGS (NOT SUPPLIED).

- Place the fixing strip against the wall and mark the position for drilling hole.
- Drill a hole in the wall to a depth of 30mm by using a 6mm drill bit. If the surface of your wall is soft and crumbly, we would advise you to use a 5mm drill bit for a tighter fit.
- Insert the wall plug into the hole with end flush to the wall surface.
- Attach fixing strip to the wall using the 25mm screw + washer and securely tighten.
- Pre-drill small pilot hole on the back edge of the furniture top using a 2mm drill bit. Attach the other end fixing strip to the back edge of the furniture top using the 14mm screw + washer and securely tighten.