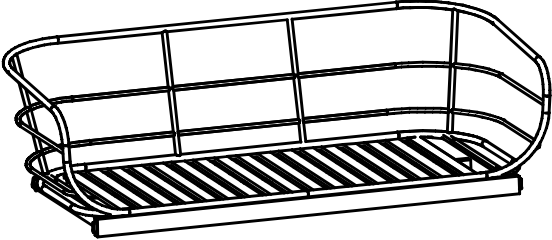
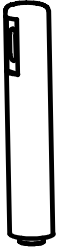
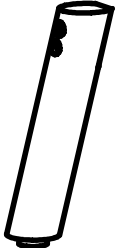
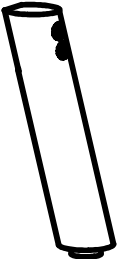



Hello! Please read these important attentions...

Please put a thick carpet on the ground to protect the furniture finish and corners. During the installation process, **DON' T** fasten screws tight 100% at a time.

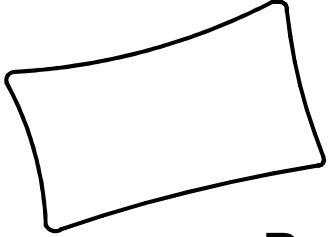

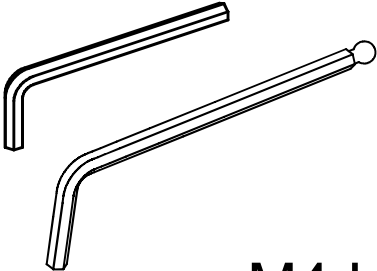
Assembly Instructions

Please read this before you proceed

NUMBER	COMPONENT	QUANTITY
B	 <p>Bench Chair frame</p>	1pc
C	 <p>Front chair leg</p>	2pcs
D	 <p>Right rear chair legs</p>	1pc
E	 <p>Left rear chair legs</p>	1pc
L	 <p>Bench cushion seat</p>	1pc

Assembly Instructions

Please read this before you proceed

NUMBER	COMPONENT	QUANTITY
M	 <p>Bench pillow back</p>	2pcs
P	 <p>Screw M6x70mm</p>	8pcs
X	 <p>M4 Hex wrench</p>	2pcs

Assembly Instructions

Please read this before you proceed

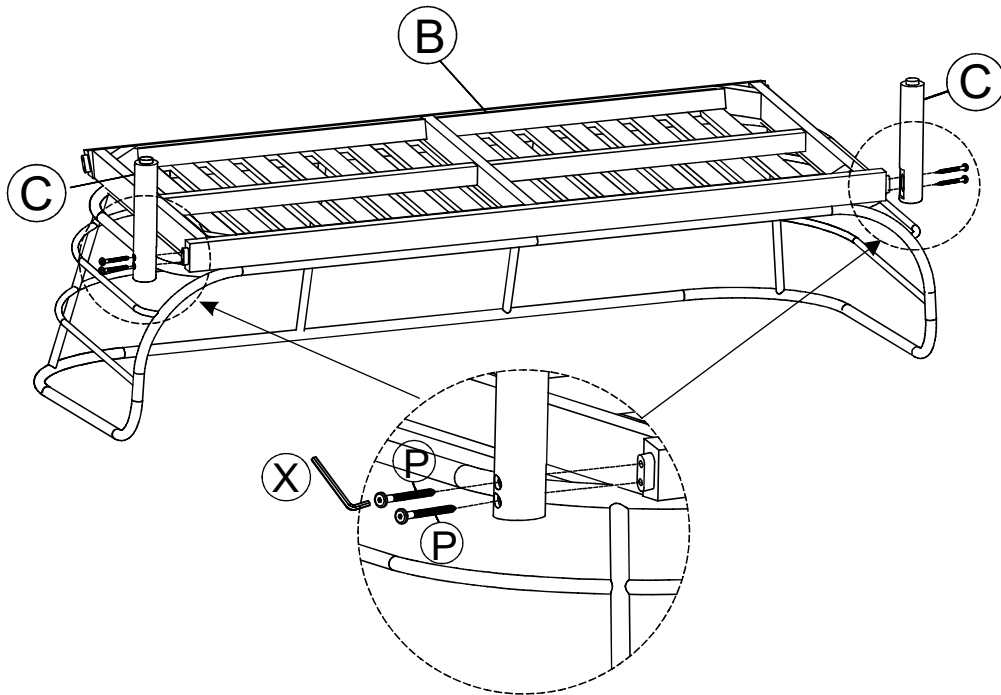
①

B x 1

C x 2

P x 4

X x 1



Use the Allen key (X), screw (P)
to connect the part (C), and part (B).
This process requires two operations.
Note: only tighten 80%

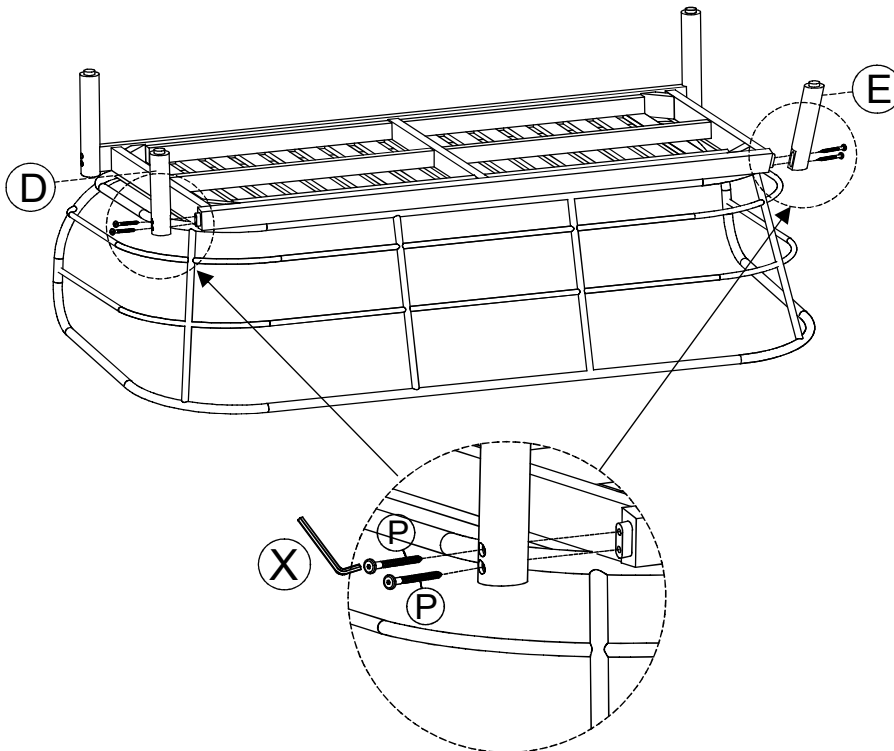
②

D x 1

E x 1

P x 4

X x 1

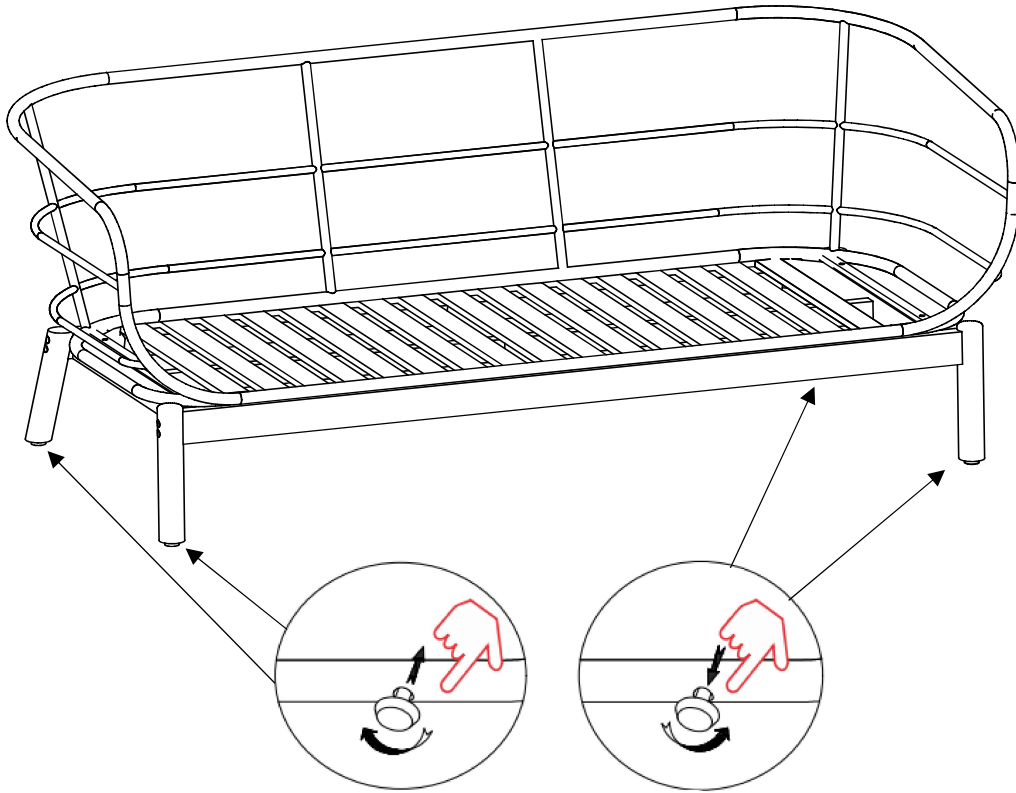


Use the Allen key (X), screw (P)
to connect the part (D), and part (E).
This process requires two operations.
Note: only tighten 80%

Assembly Instructions

Please read this before you proceed

③

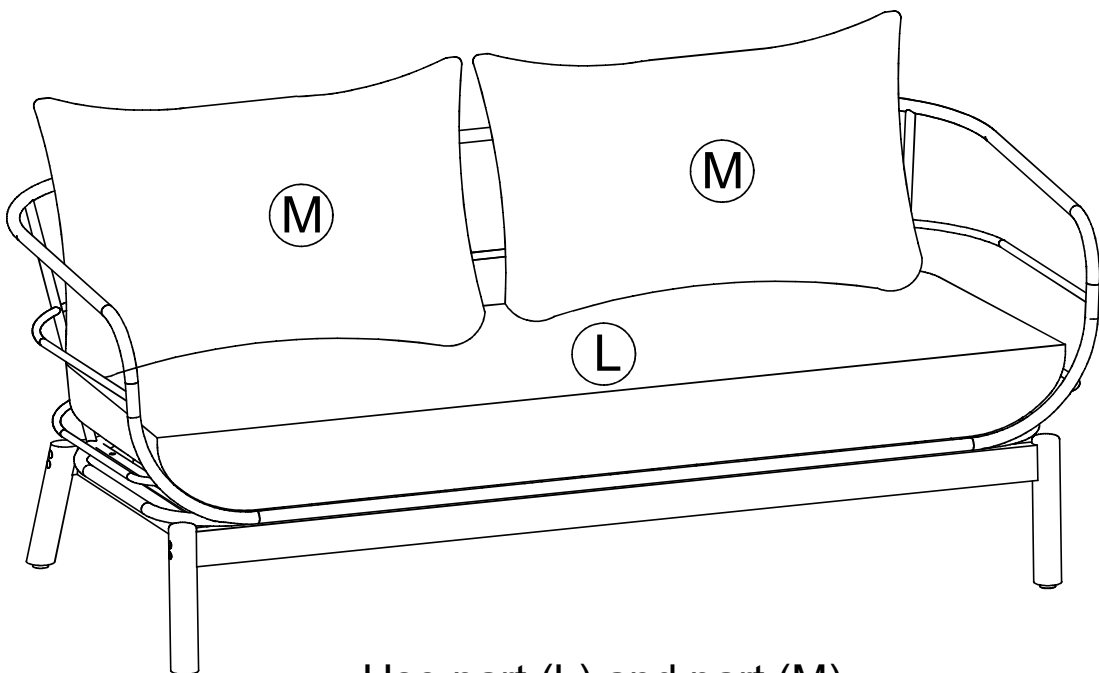


Adjust this position up or down

④

L x 1

M x 2

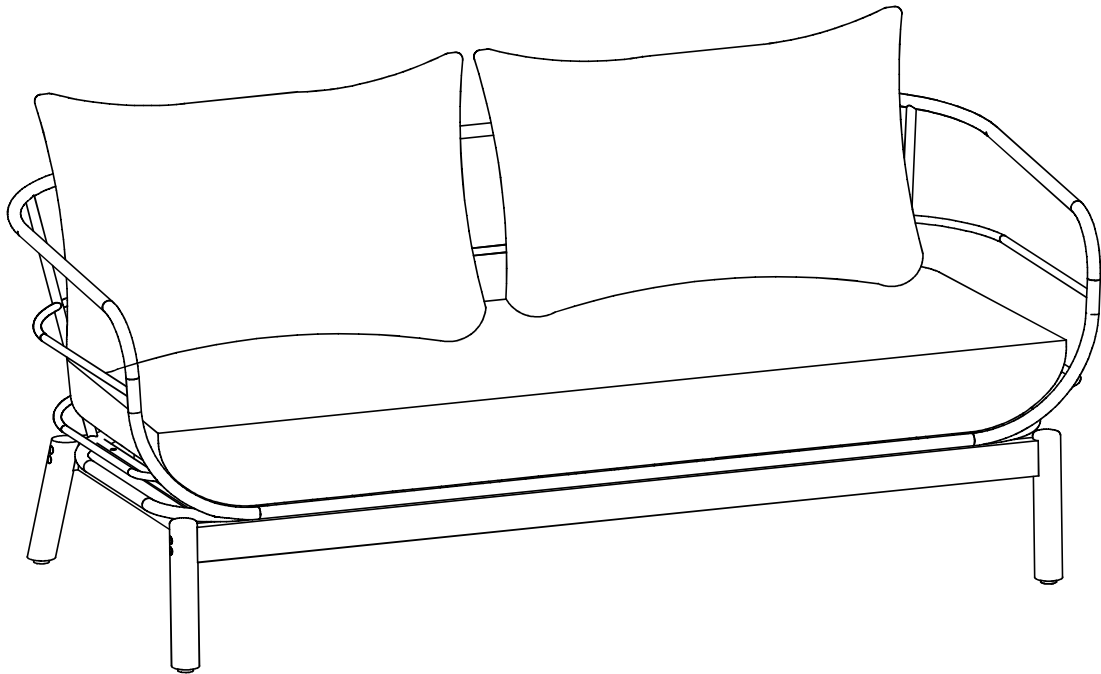


Use part (L) and part (M).

Assembly Instructions

Please read this before you proceed

④



Finish