

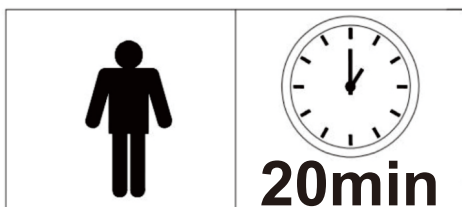
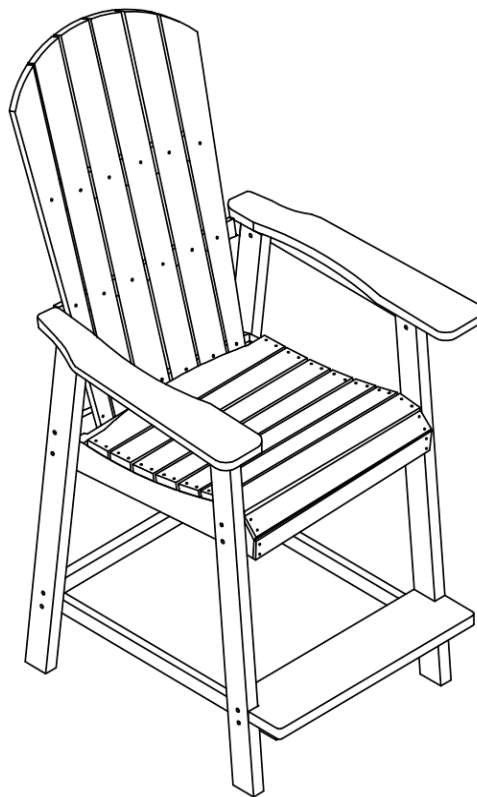
# Assembly Instruction

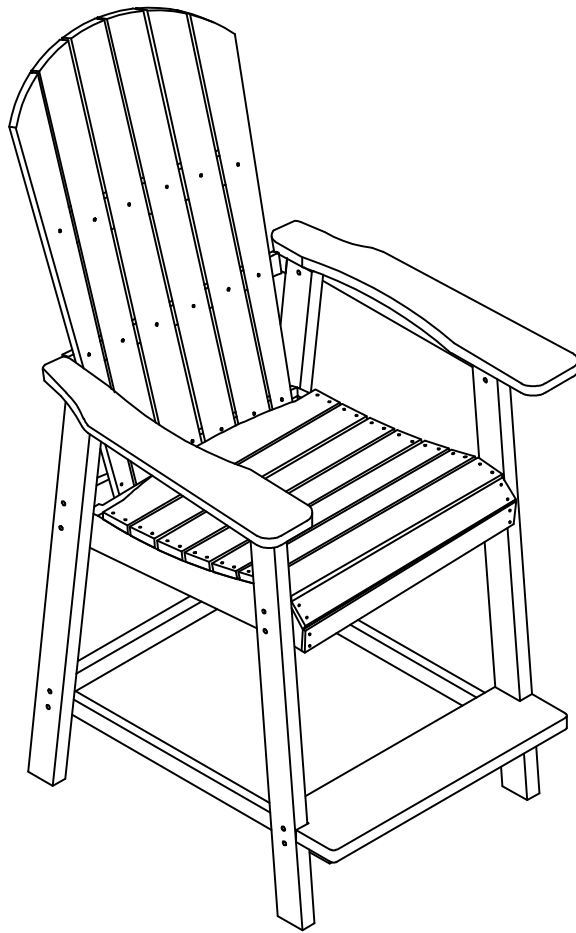
Dear Customer

Thank you for choosing our product. This HIPS Bar Chair is designed and packed in compact way. You are required to assemble according to our instruction. All component or accessories are included within the package. Simple a few steps & around 20 Minutes needed by single person.

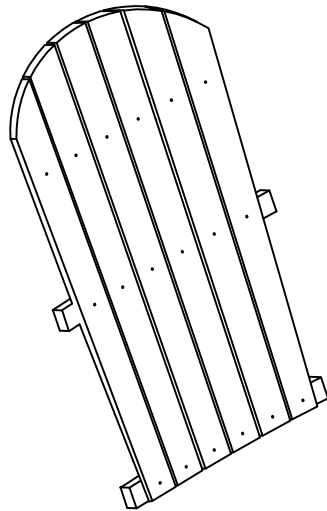
Wherever you purchased from, if you are happy with our products, your rating, review or feedback would be highly appreciated. In case the product came with any damages or defectives, please feel free to contact us for free replacement or money refunding.

Thanks again



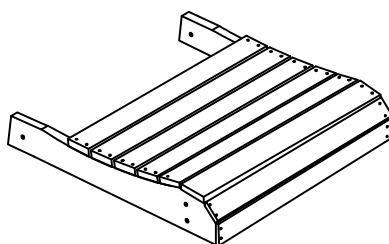


A



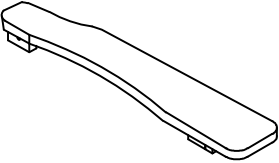
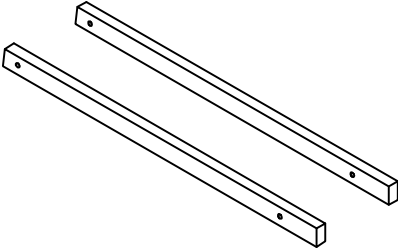
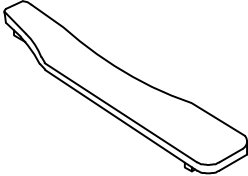
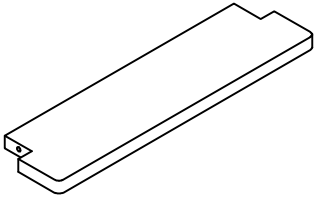




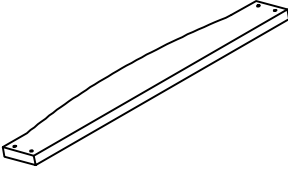

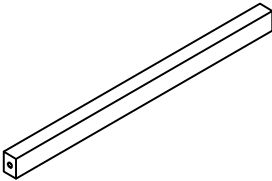


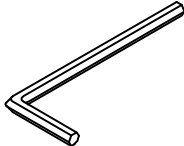
1PC

B

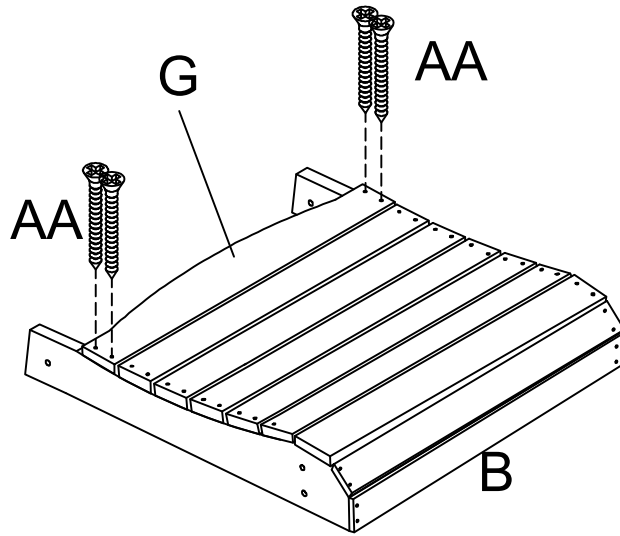


1PC

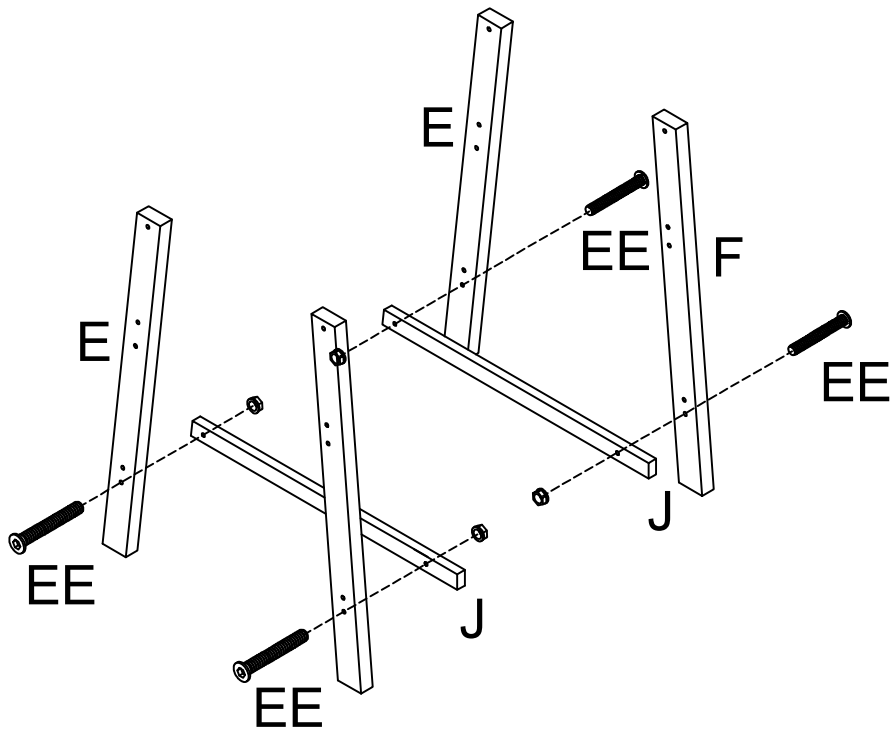
NO:6-1

C		1PC	J		1PC
D		1PC	K		2PCS
E		2PCS	AA	 4*35 Screw	8PCS
F		2PCS	BB	 M6*80 Bolt	4PCS
G		1PC	CC	 M6*60 Bolt	12PCS
H		1PC	DD	 M6*60 Bolt	2PCS
			EE	 M6*70 Bolt	2PCS
					

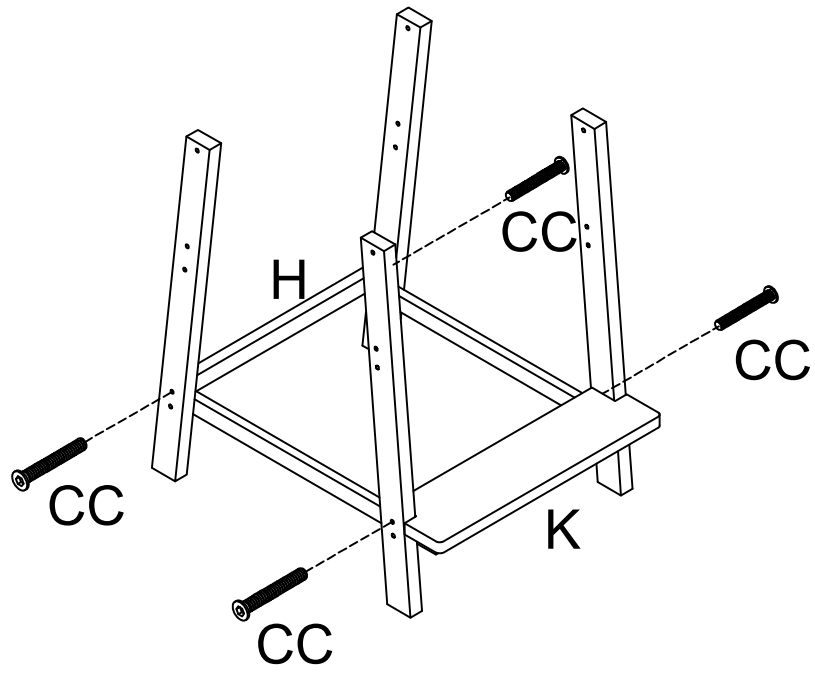
1



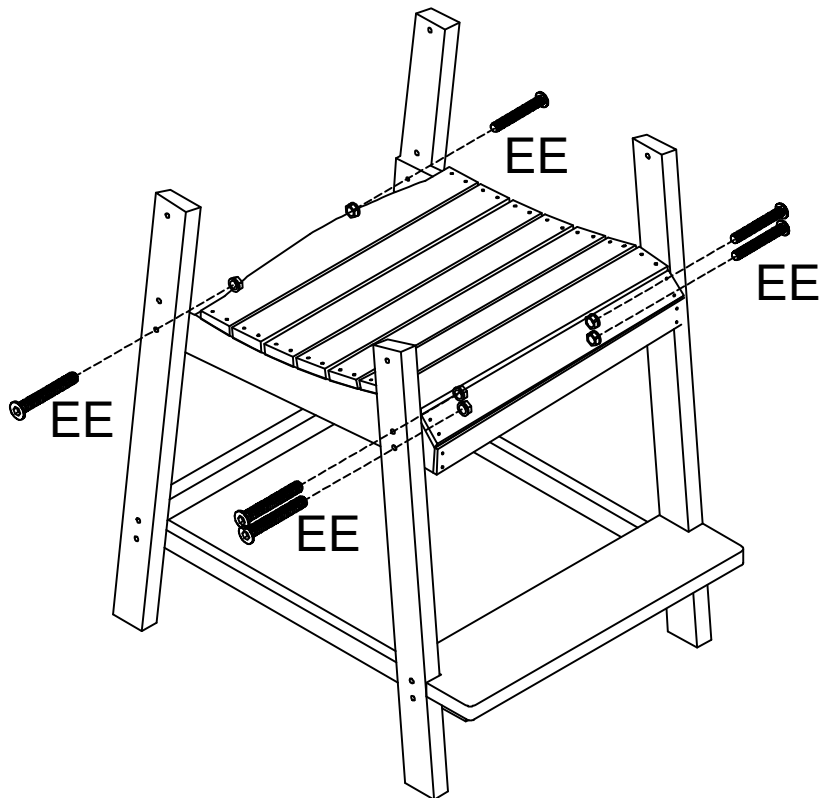
2



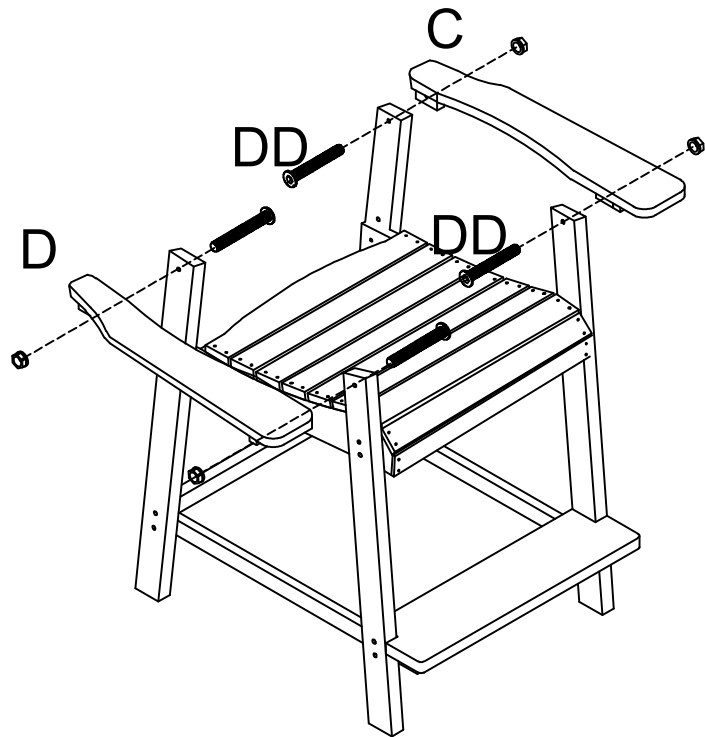
3



4



5



6

