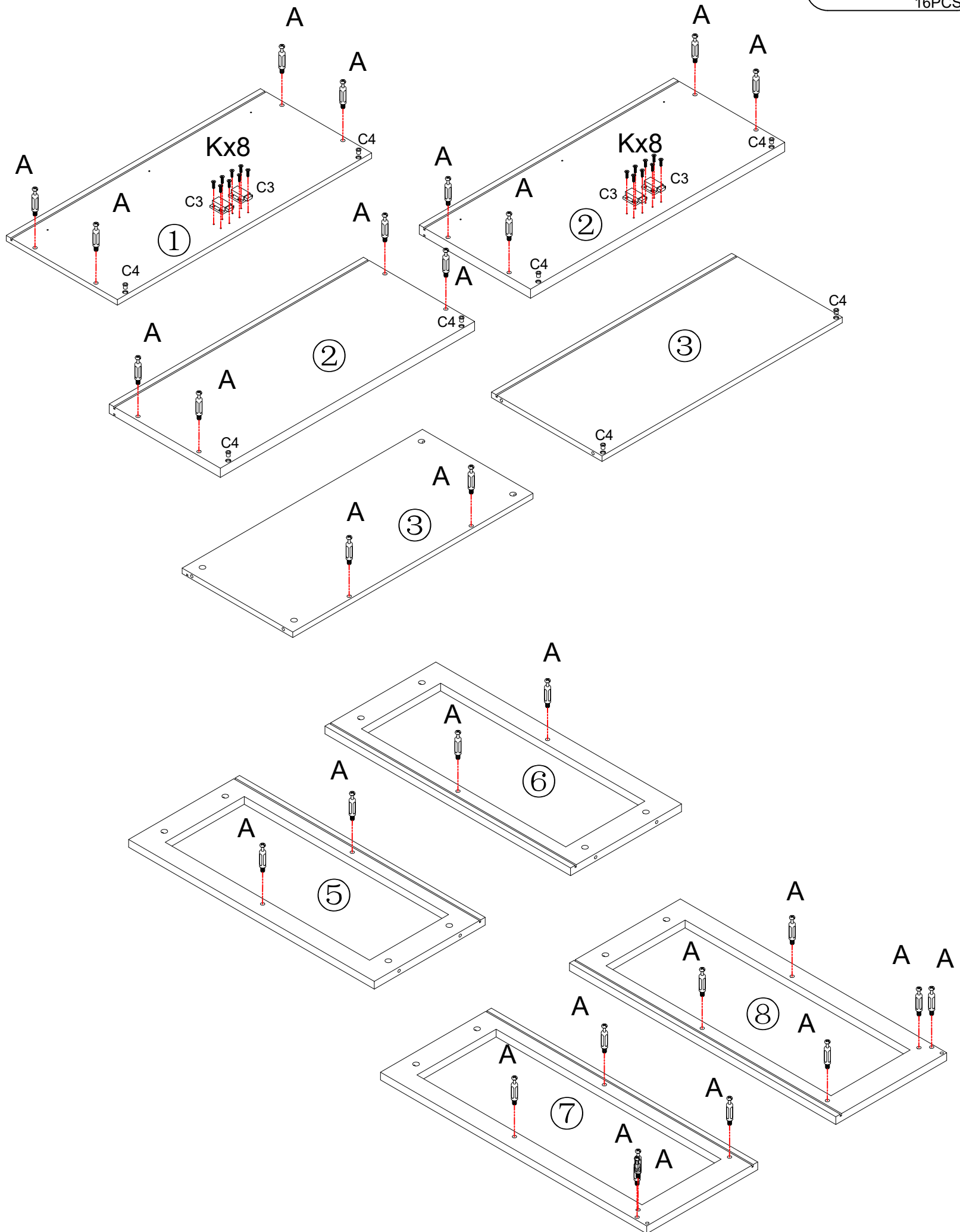
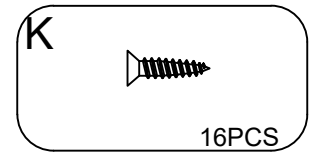
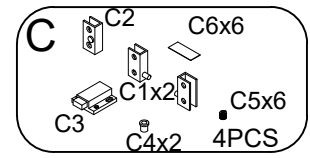
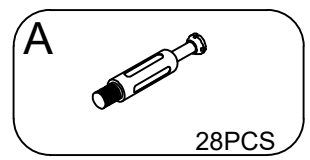
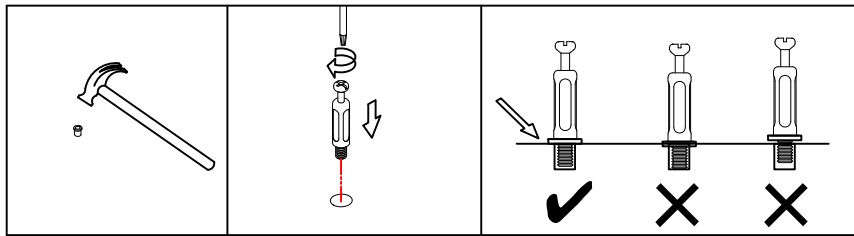
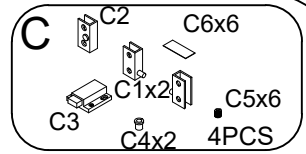


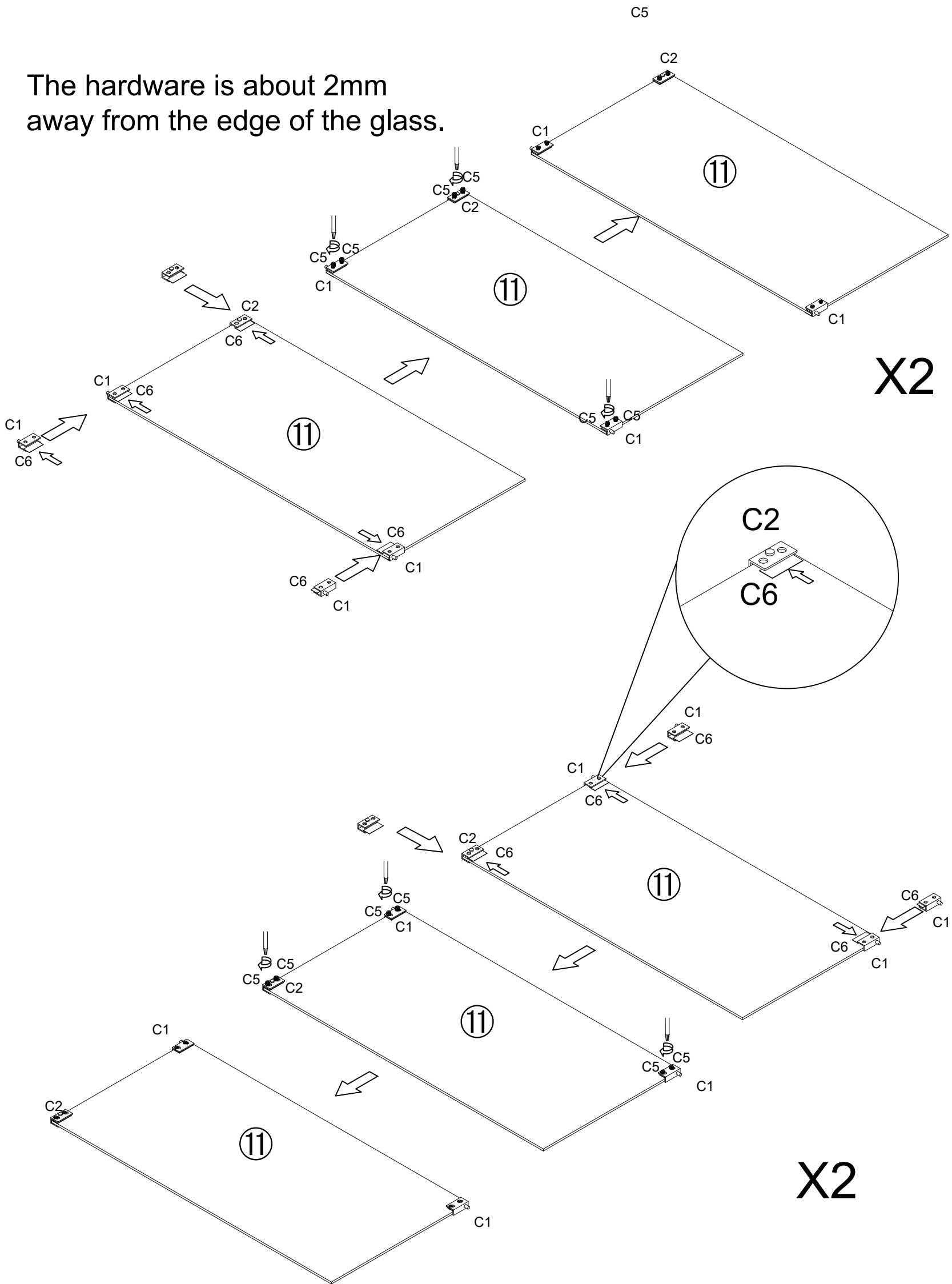
STEP 1



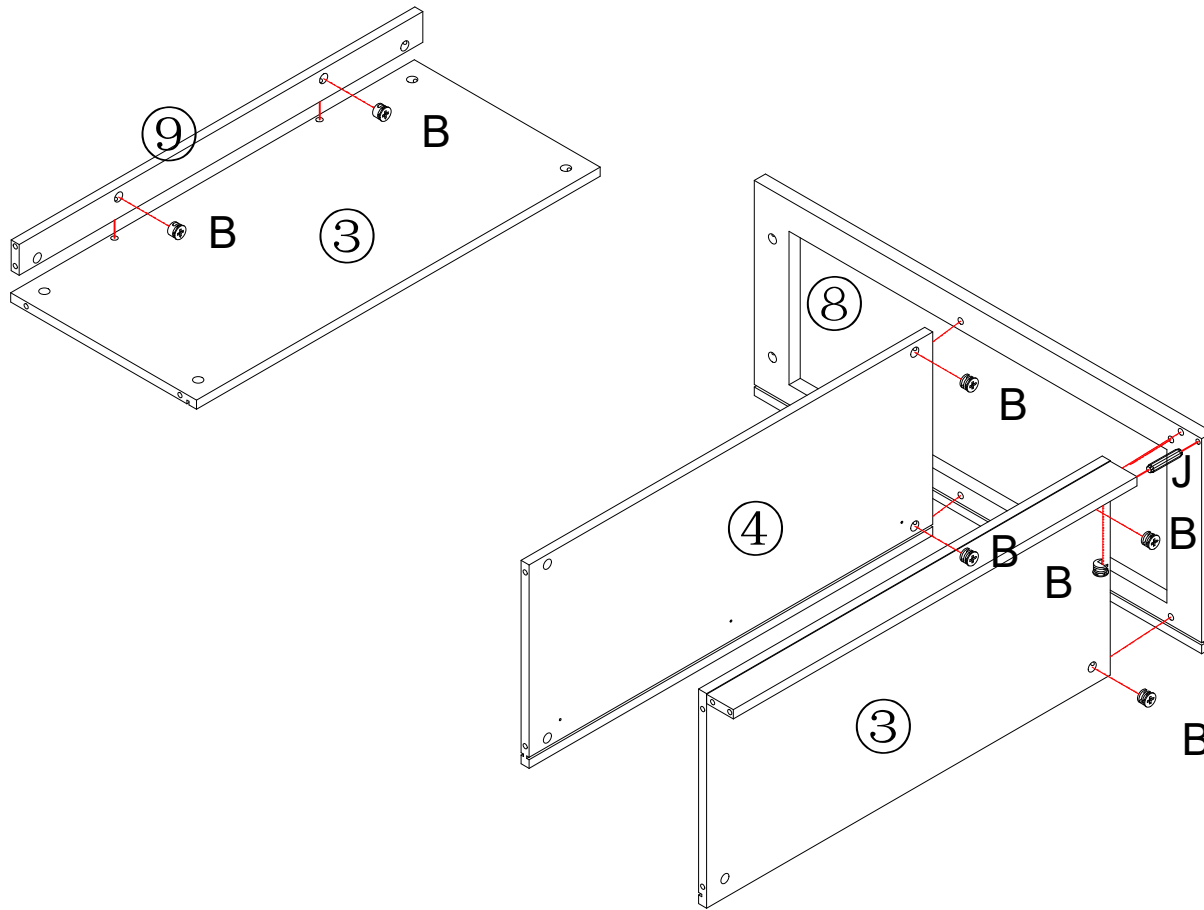
STEP 2




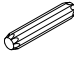
The hardware is about 2mm away from the edge of the glass.



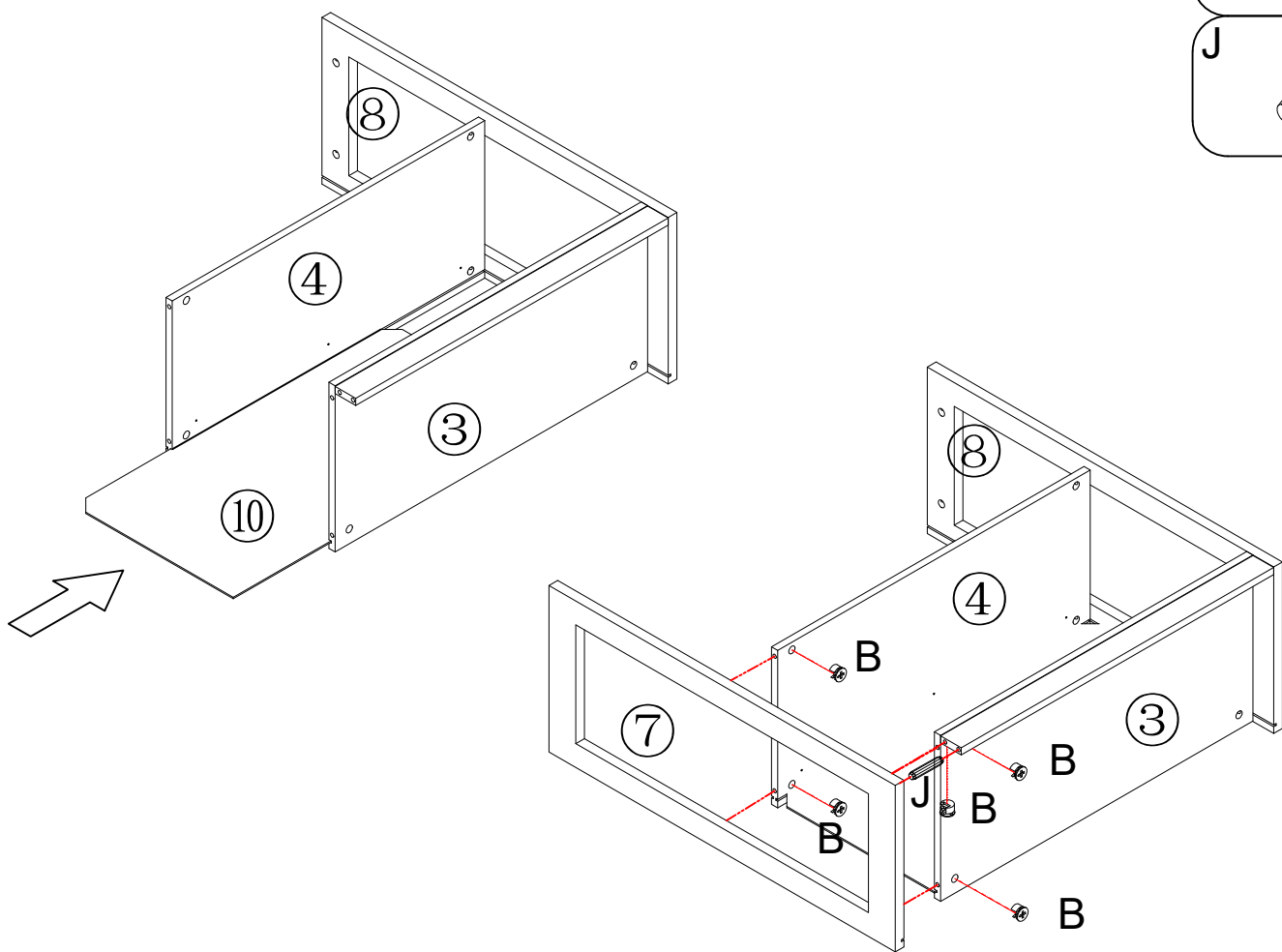
STEP 3




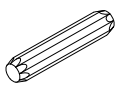
B  7PCS

J  1PCS

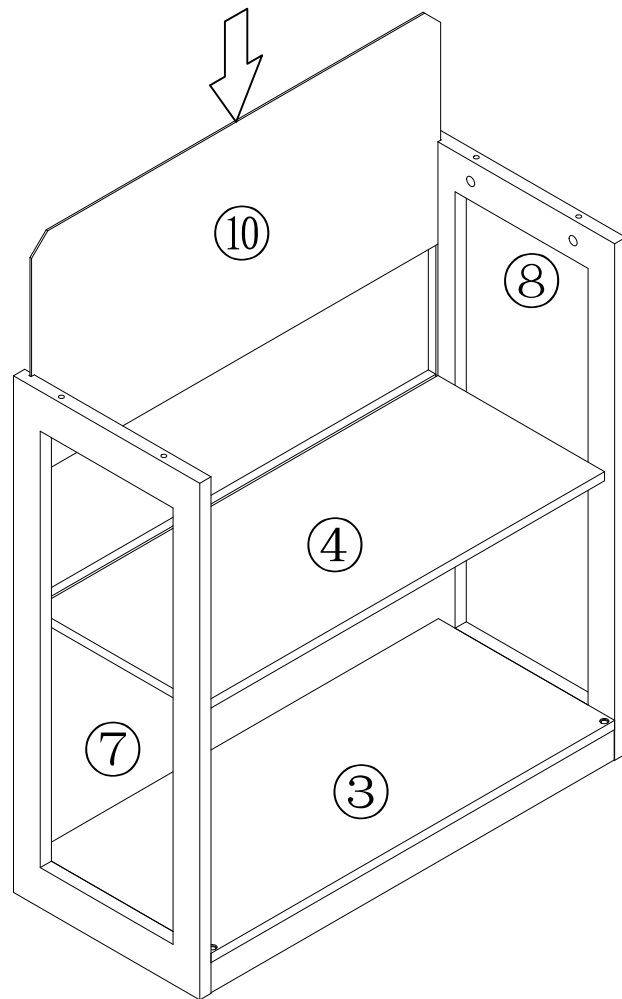
STEP 4



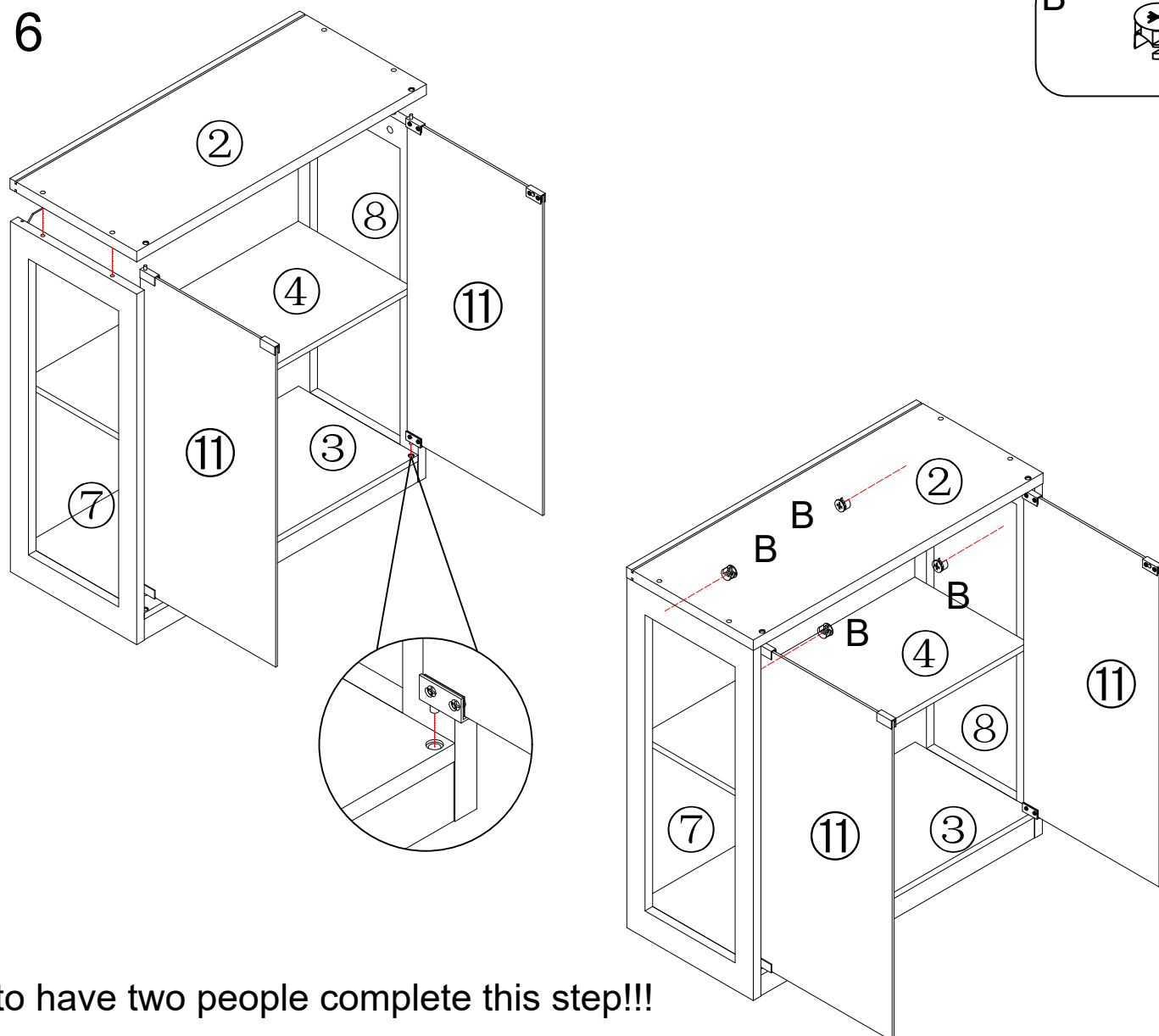
B  5PCS

J  8*40
1PCS

STEP 5

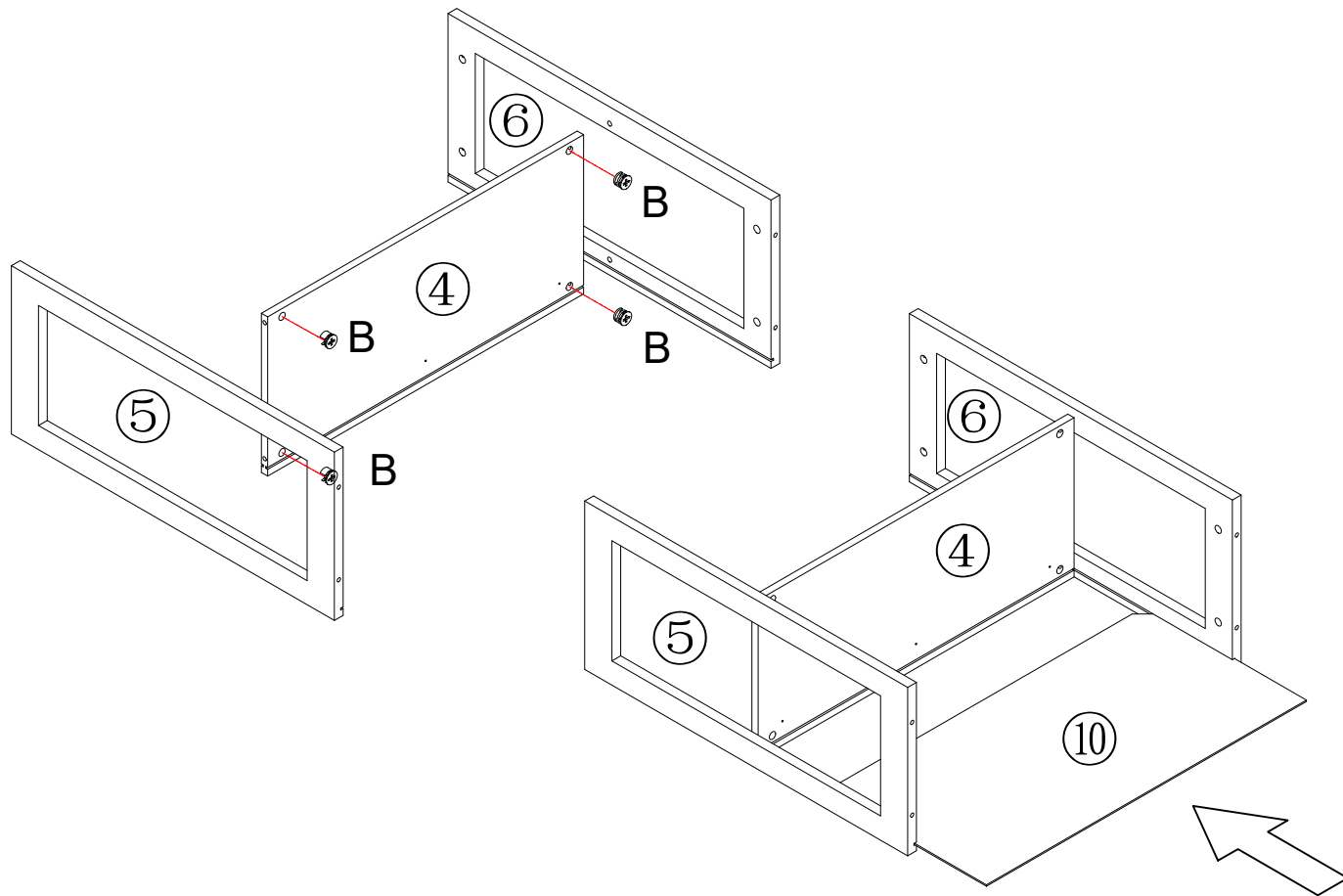
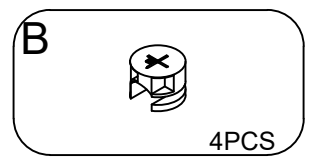


STEP 6

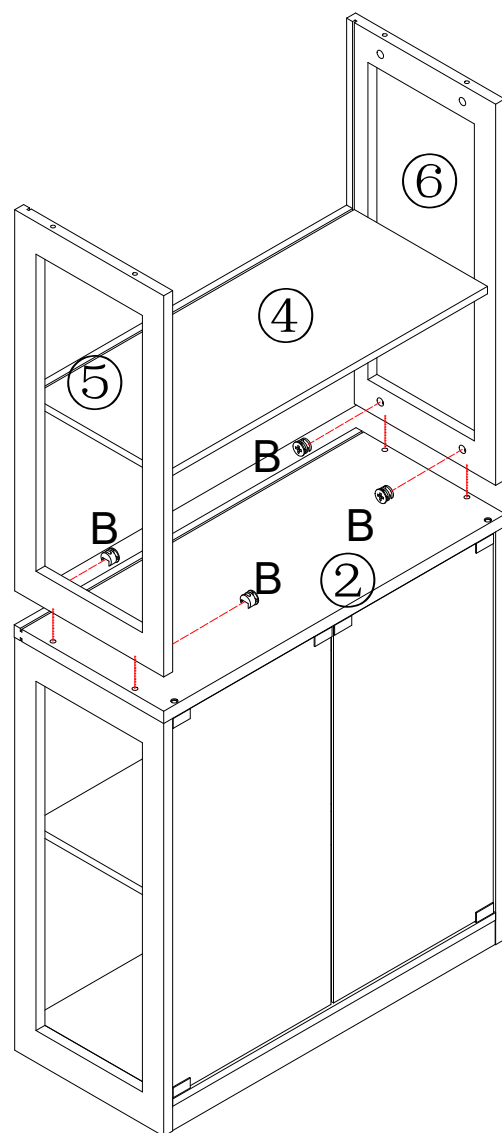
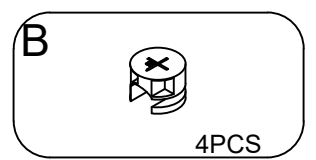


It is best to have two people complete this step!!!

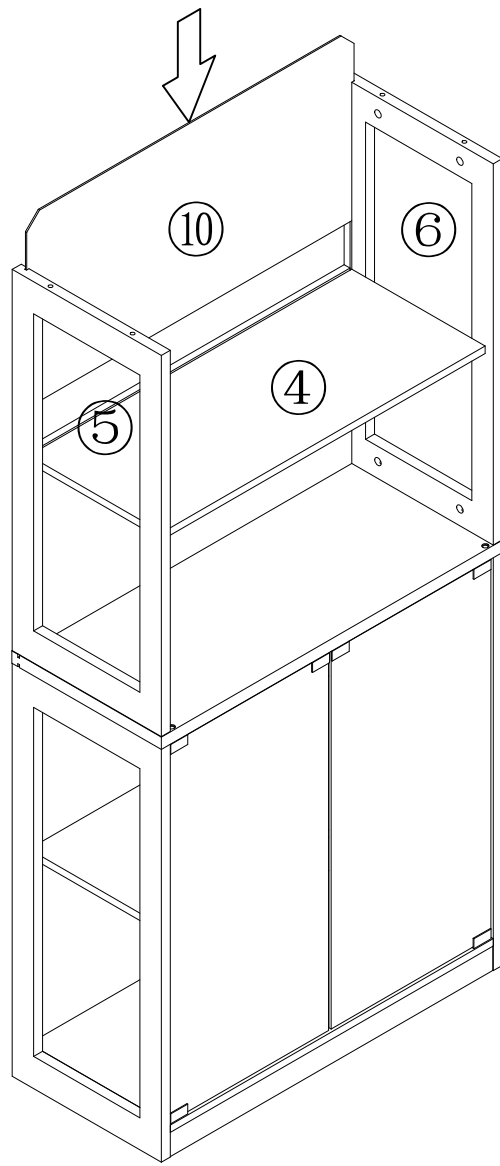
STEP 7



STEP 8

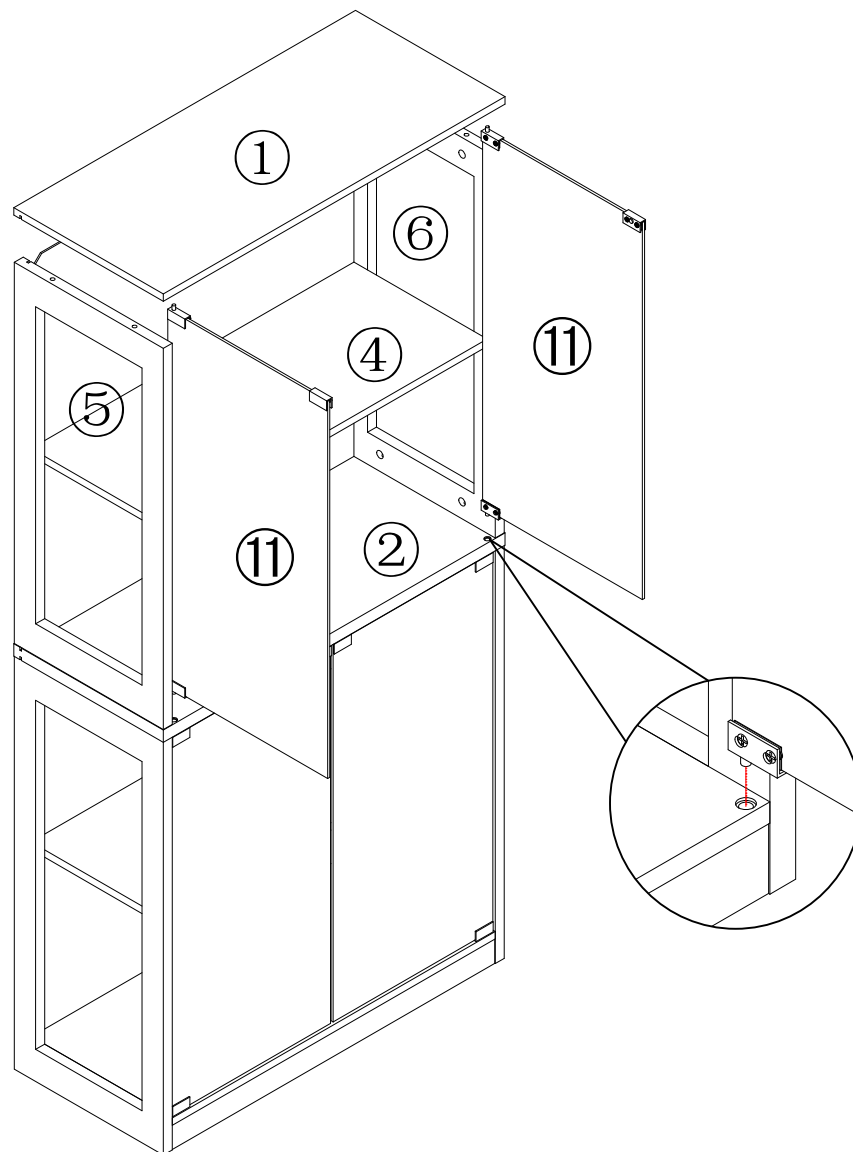


STEP 9

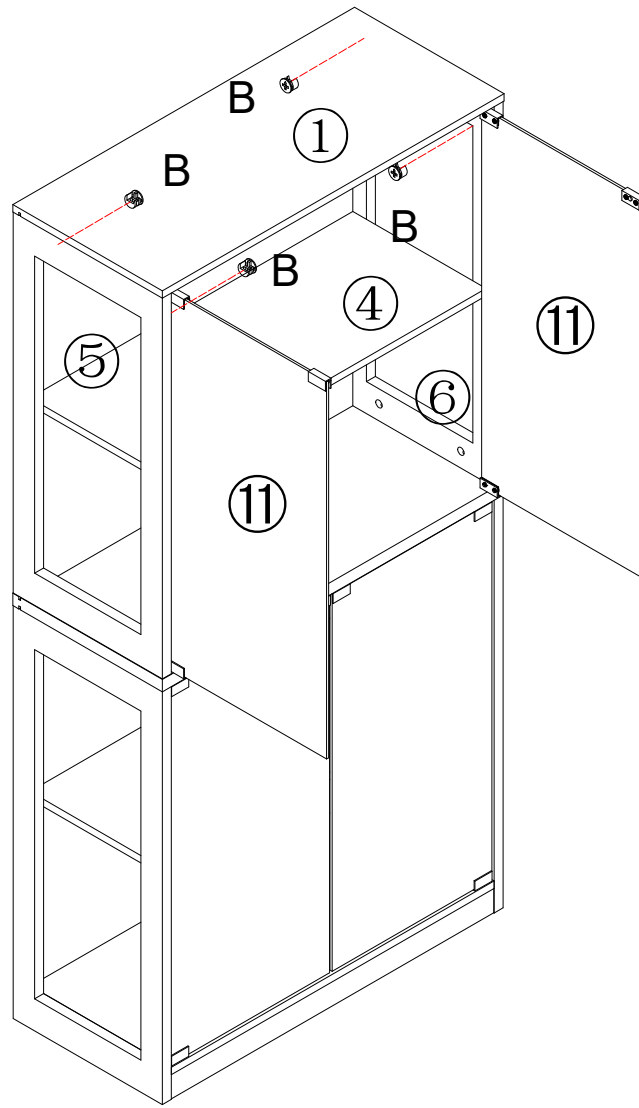
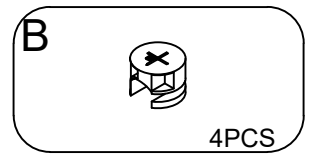


STEP 10

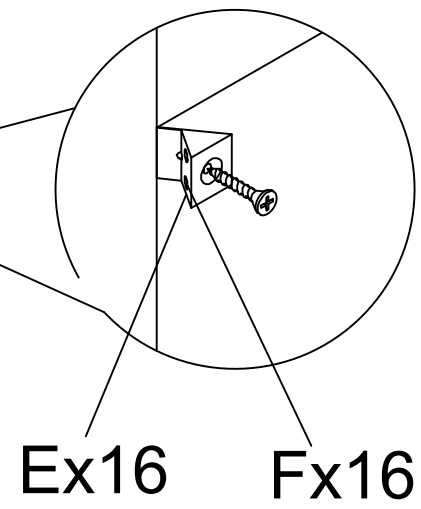
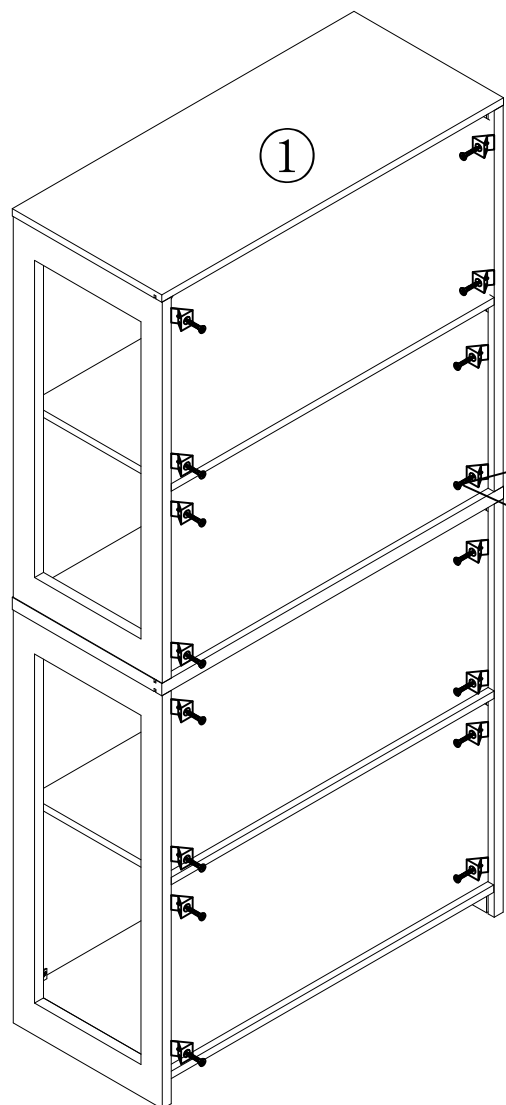
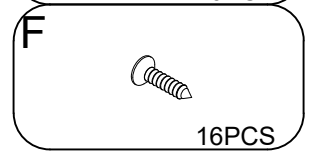
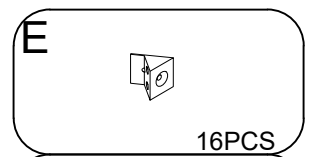
It is best to have two people complete this step!!!



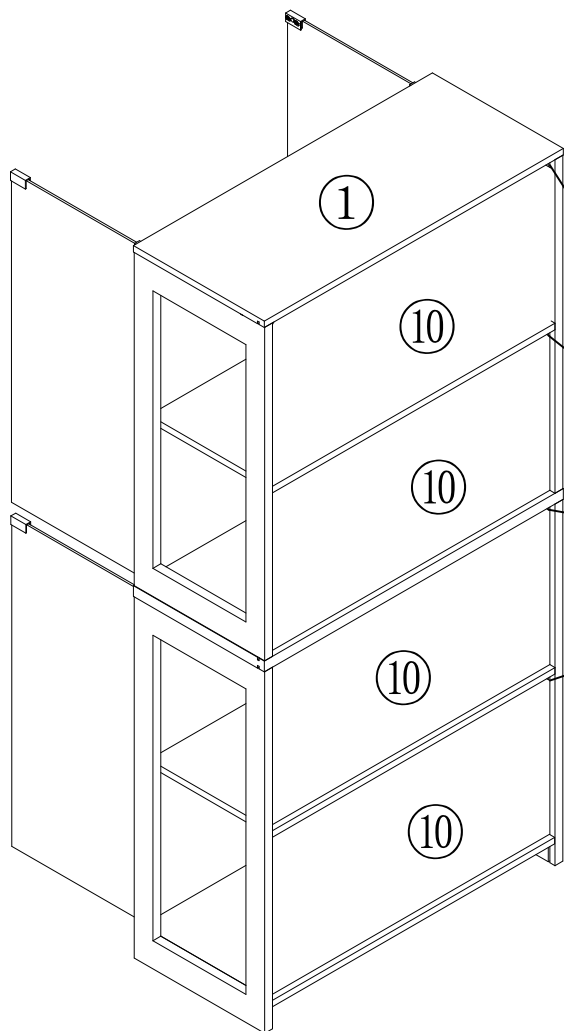
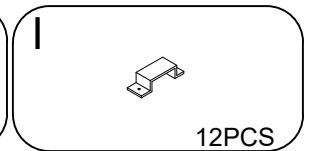
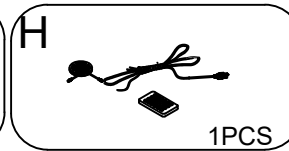
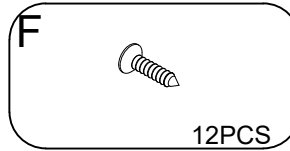
STEP 11



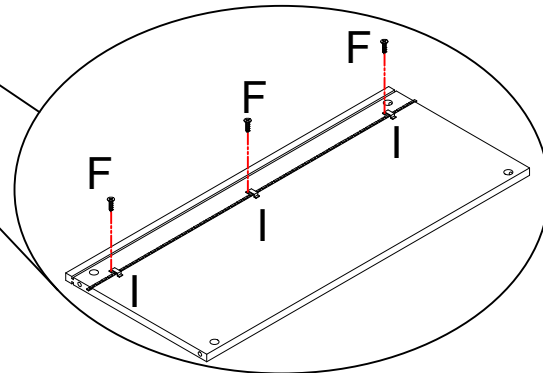
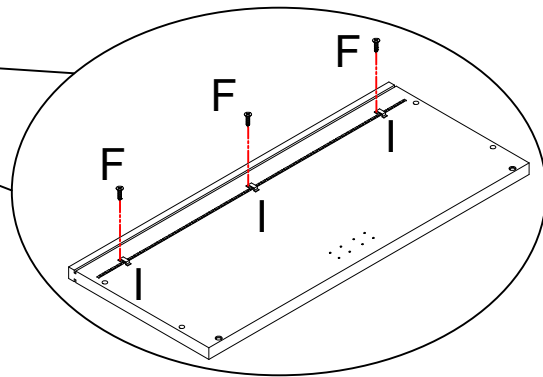
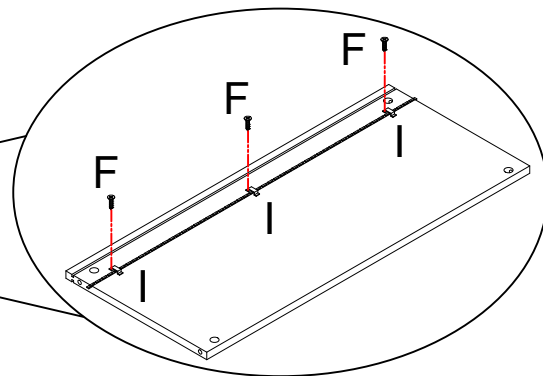
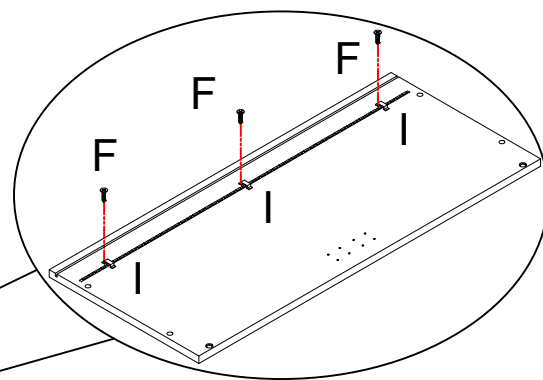
STEP 12



STEP 13



Put the four light strips into the four backplanes respectively.



Tear off the adhesive tape, stick the light strip onto the wooden board, and after sticking it properly, fix it with I and F.

