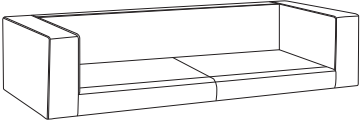

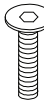
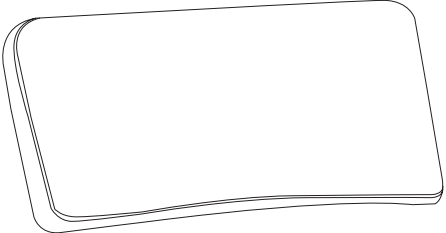

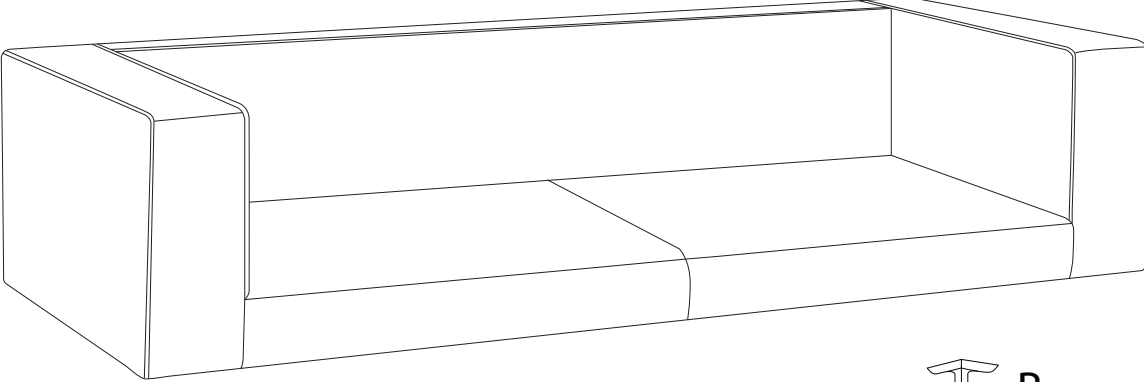





		20'
		1


<p>A</p>  <p>x 1</p>	<p>B</p>  <p>x 4</p>	<p>C</p>  <p>M8 x 25</p> <p>x 8</p>
---	---	--





G  **G**

F  **F**

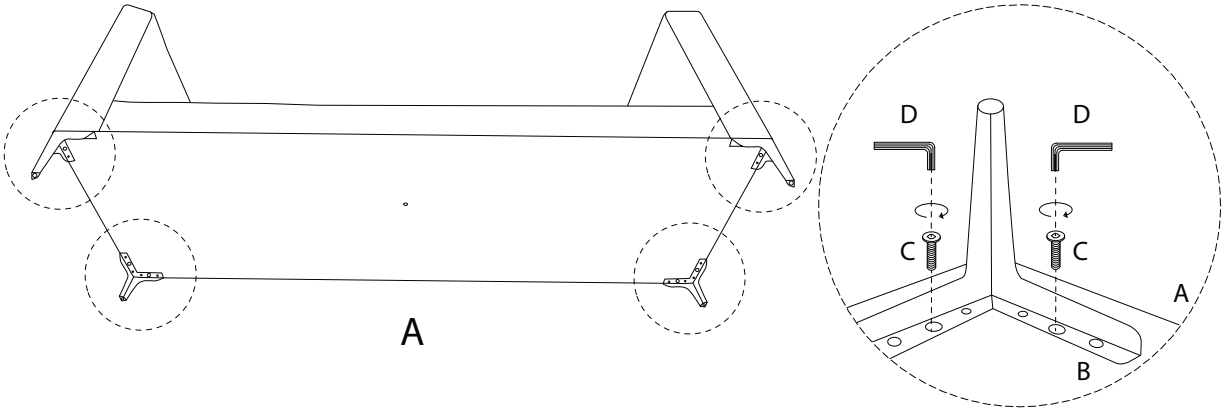
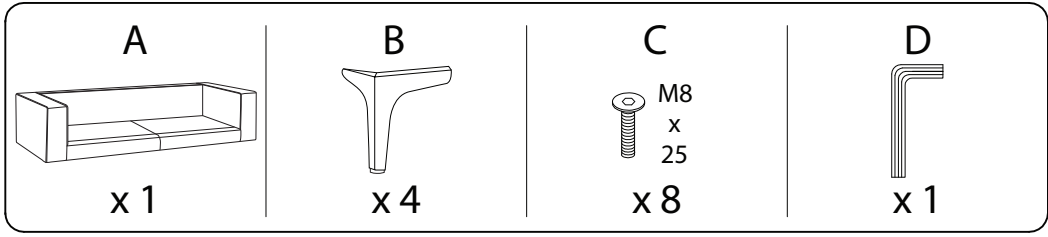
A 

B  **B** **E**  **B**  **B**

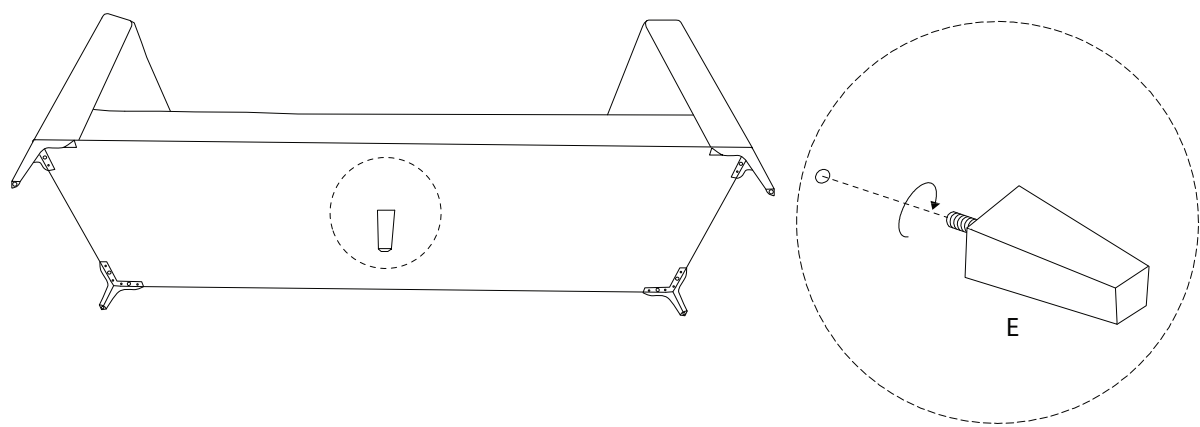
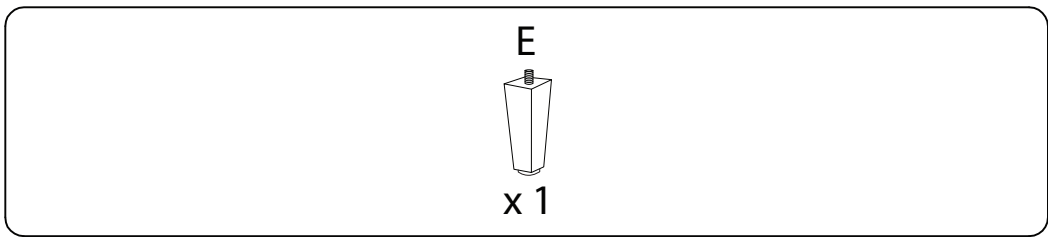
B 

<p>D</p>  <p>x 1</p>	<p>E</p>  <p>x 1</p>	<p>F</p>  <p>x 2</p>	<p>G</p>  <p>x 2</p>
---	---	--	---

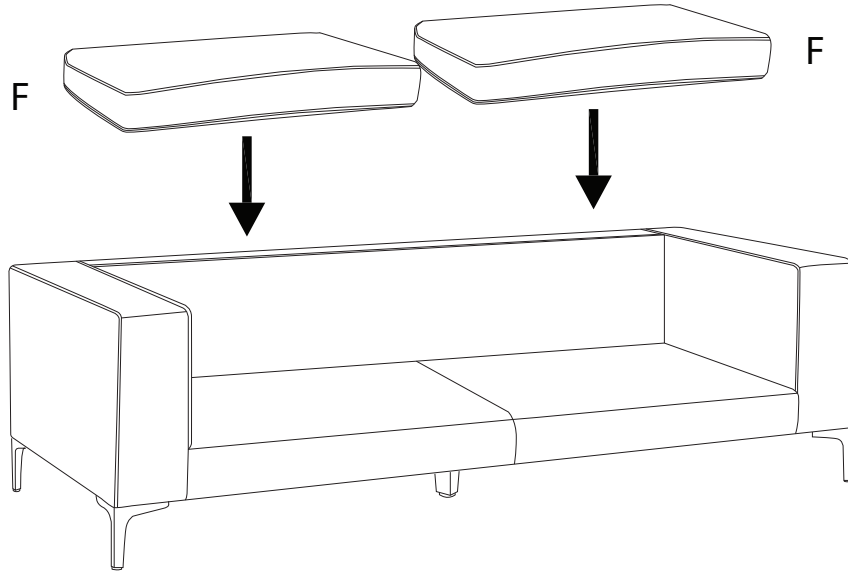
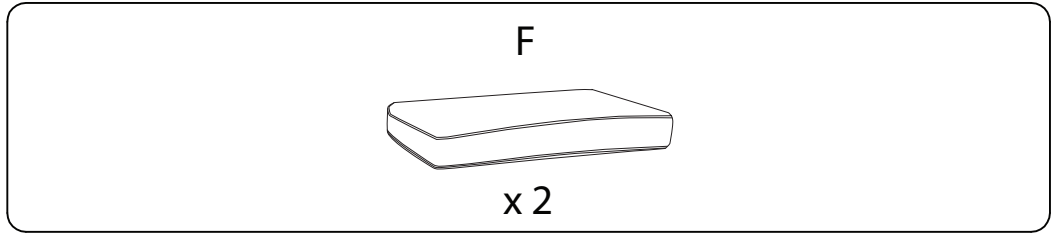
1



2



3



4

