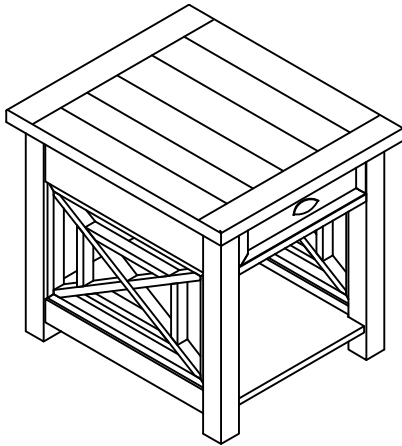


ASSEMBLY INSTRUCTION

DESCRIPTION: DRAWER END TABLE

Thank you for purchasing this quality product. Be sure to check all packing material carefully for small parts, which may have come loose inside the carton during shipment. Identify and count all parts and compare with the parts list below.

COMPLETED:



PARTS LIST

NO	DRAWING	DESCRIPTION	Q'TY
1		Table Top	1
2		Bottom Panel	1
3		Side Frame	2

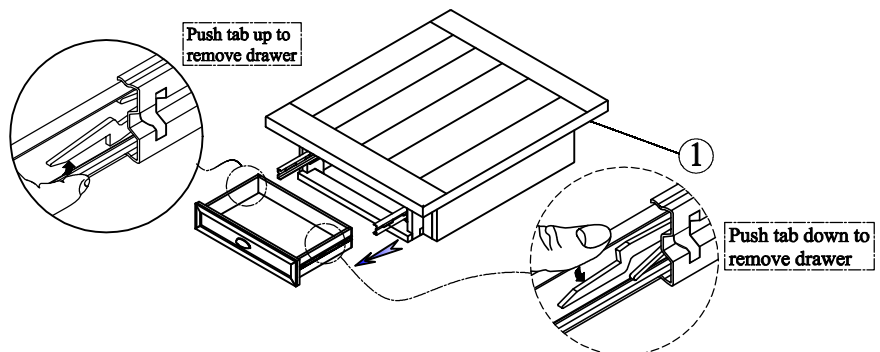
HARDWARE LIST

NO	DRAWING	DESCRIPTION	Q'TY
A		Bolt Ø1/4-20*38(L)	14
B		Flat Washer Ø1/4"*Ø16*2mm	14
C		Spring Washer Ø1/4"*Ø13mm	14
D		Allen key M4	1

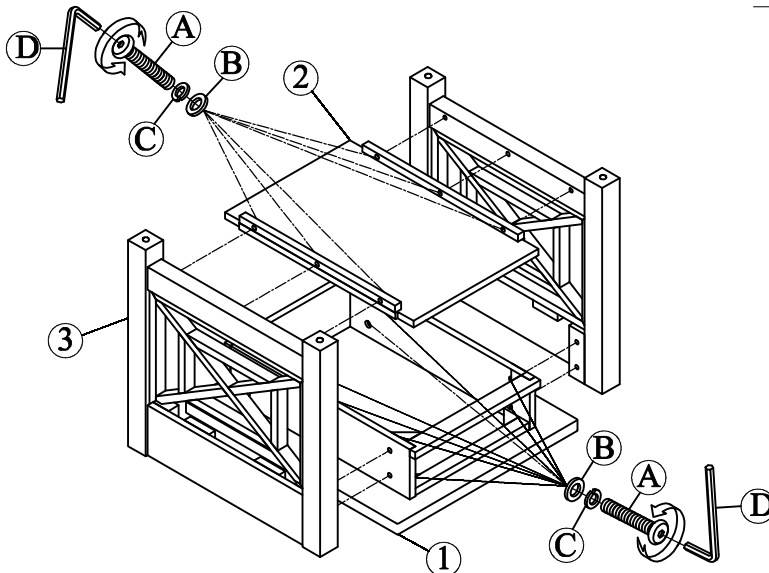
STEP 1

HOW TO REMOVE DRAWER

To remove drawer, simultaneously pull tab up on one side and push down on the other and remove drawer.



STEP 2



STEP 3

