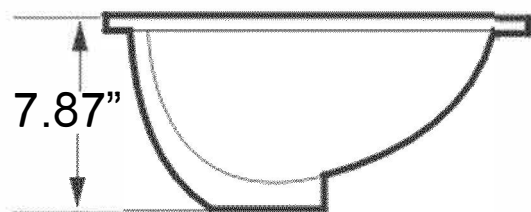
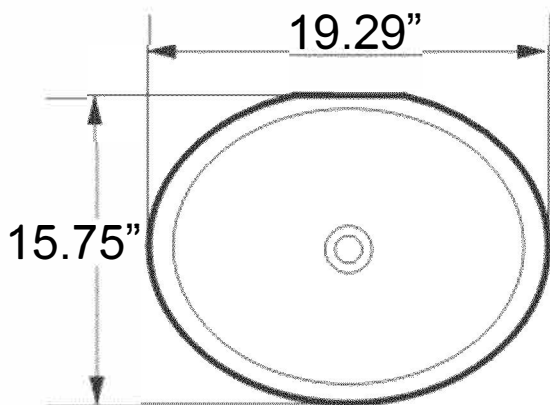


Round Porcelain Basin

- Clean regularly with hot soapy water and a soft cloth this is much easier and more preferable to the sink finish than infrequent 'heavy' cleaning.
- Use soft or micro fibre cloths (eg. E-cloth).
- A 50% mix of water and white vinegar can be used to remove limescale deposits, ensure to rinse thoroughly after use, do not leave the vinegar in contact with the surface. A nylon scratch pad or toothbrush can be used on difficult areas. Dry the sink after use to delay future build up.
- Always rinse the sink with water after cleaning or preparing food
- Do NOT use spray cleaners (irrespective of the label claims), scouring pads, scouring powders, or scouring liquids, bleach - diluted or neat, especially do not soak items in the bowl for any period; highly concentrated drain cleaners containing hydrochloric or sulphuric acid or similar.
- Cycling very hot and cold substances into the sink, the rapid expansion or contraction may cause cracking. When pouring boiling water into the sink, turn on the cold tap first.



*Product vanities are hand-crafted and may vary with a minor manufacturing tolerance.
Natural stone characteristics are very subjective and
may vary with natural veining, crystallization and lining.*