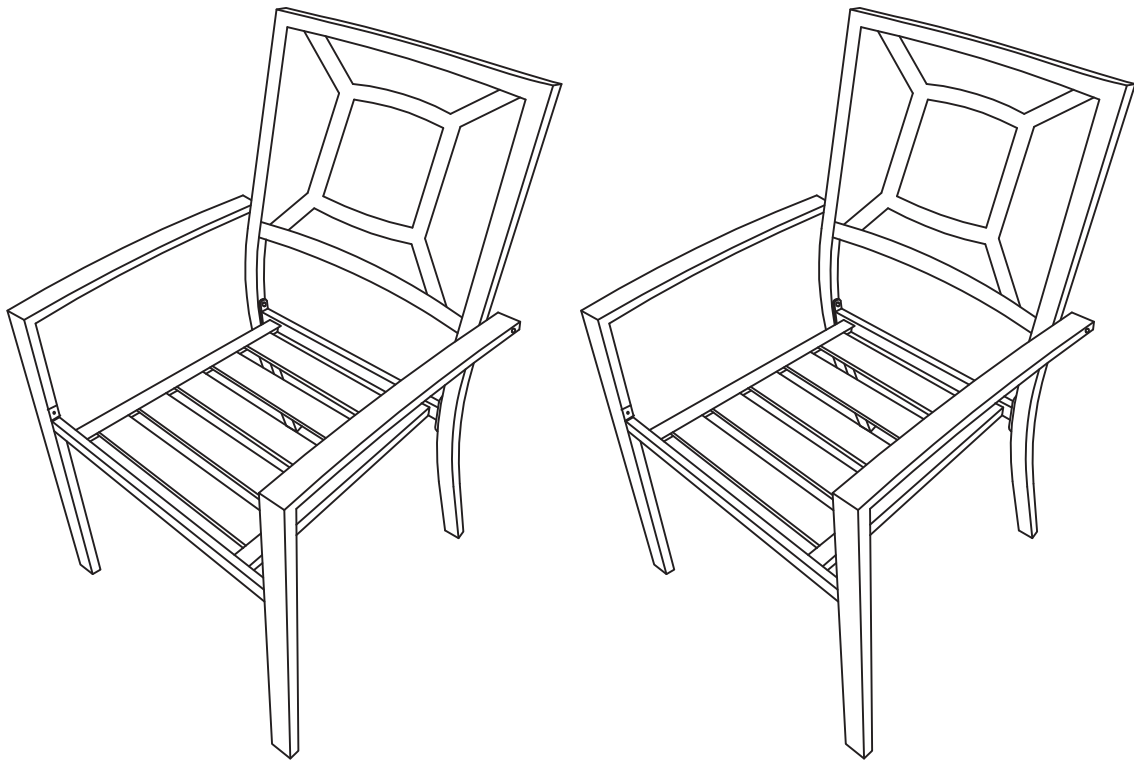
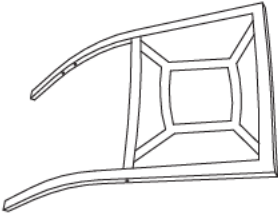

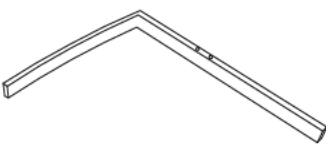
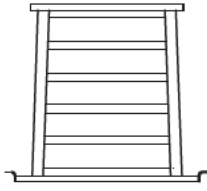
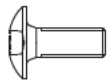




Dining Chair Assembly Instructions



Attention

1. Prior to assembly, make sure you lay out and identify all the parts as listed below are received.
2. Tighten all nuts and bolts securely. All bolts should be hand tightened before use.
3. Should you experience any difficulty during assembly or if any parts missing or damaged, please feel free to contact us.

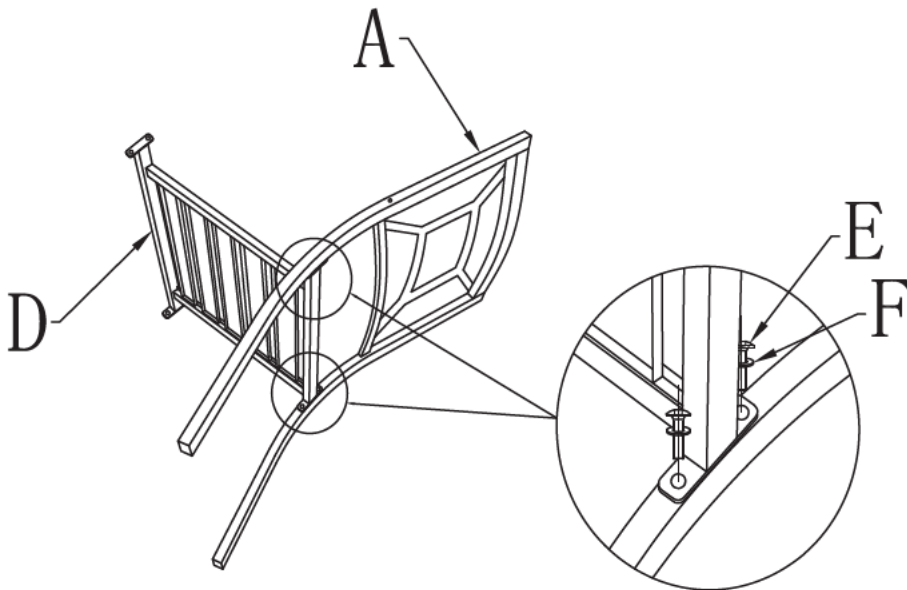
Parts List		
<p>A</p>  <p>Chair Back 2PCS</p>	<p>B</p>  <p>Right Leg 2PCS</p>	
<p>C</p>  <p>Left Leg 2PCS</p>	<p>D</p>  <p>Chair Seat 2PCS</p>	
<p>E</p>  <p>M6*18 20PCS</p>	<p>F</p>  <p>Washer 20PCS</p>	<p>J</p>  <p>Hex Key 1PC</p>

Assembly Guide

 Note: Please do not fix screws tightly before all the screws are aligned. Tighten all screws at last.

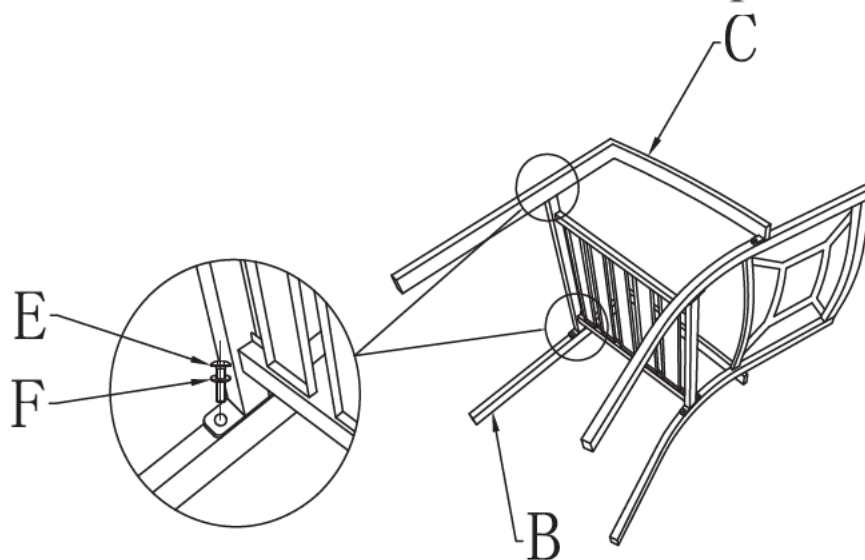
STEP 1

E_4PC
F_4PC



STEP 2

E_4PC
F_4PC



STEP 3

E_2PCS
F_2PCS

