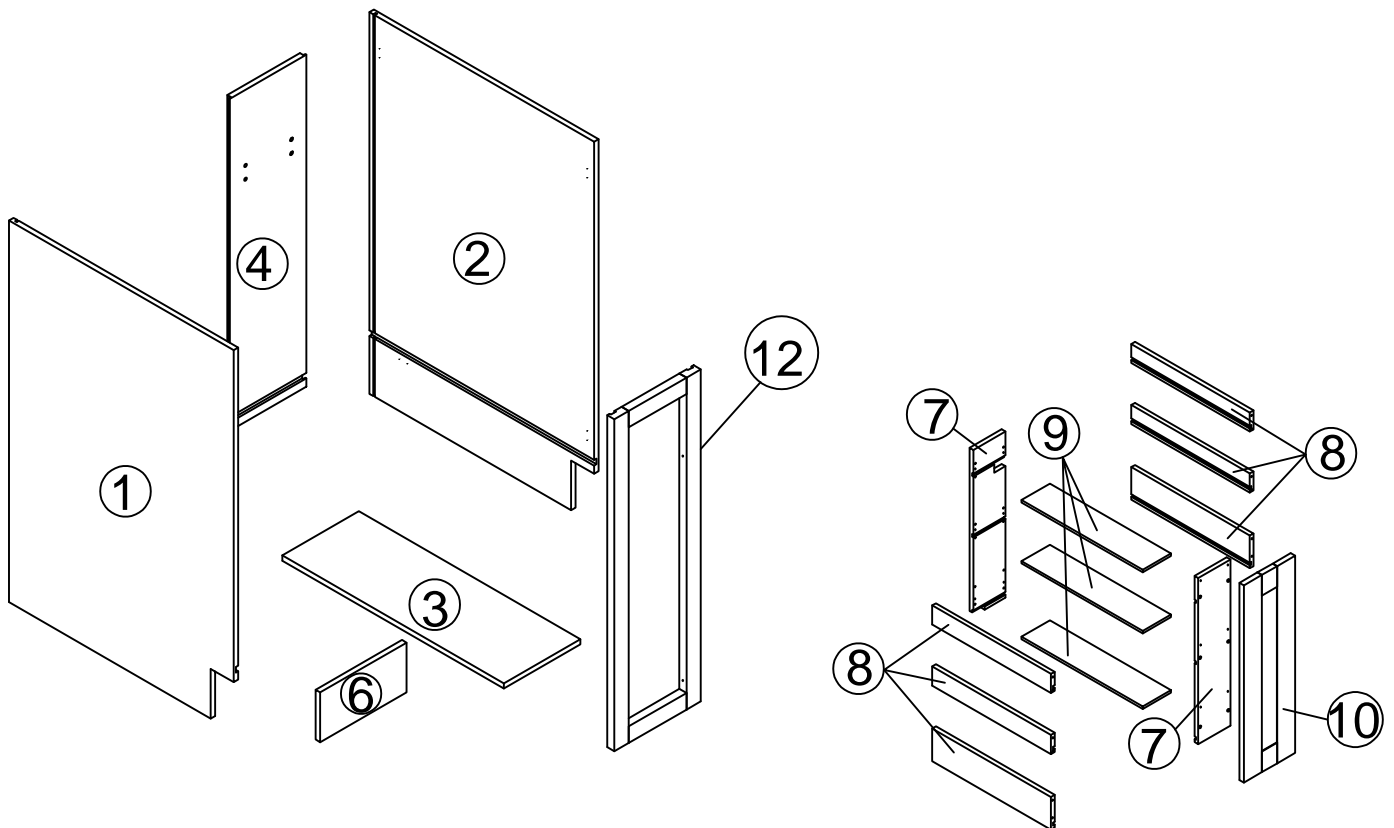
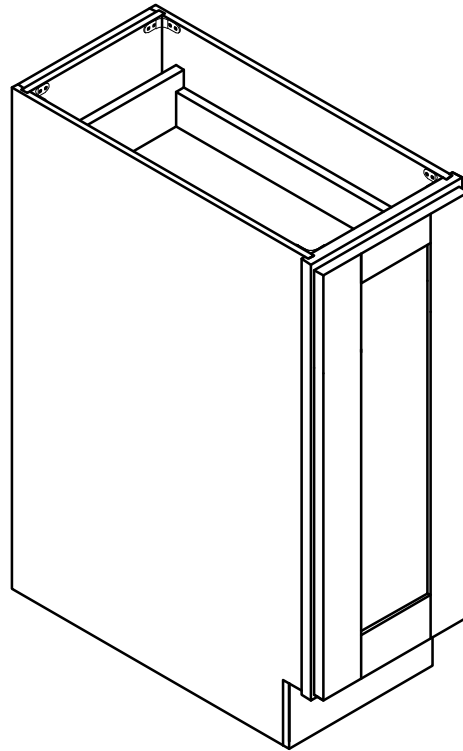


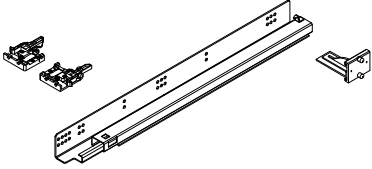
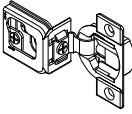
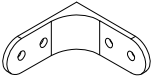

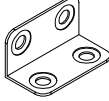

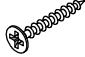



PROJECT NAME:
 ITEM NAME: BASE CABINET_1DRAWER
 ITEM CODE: BSR09, BSR12

PARST LIST

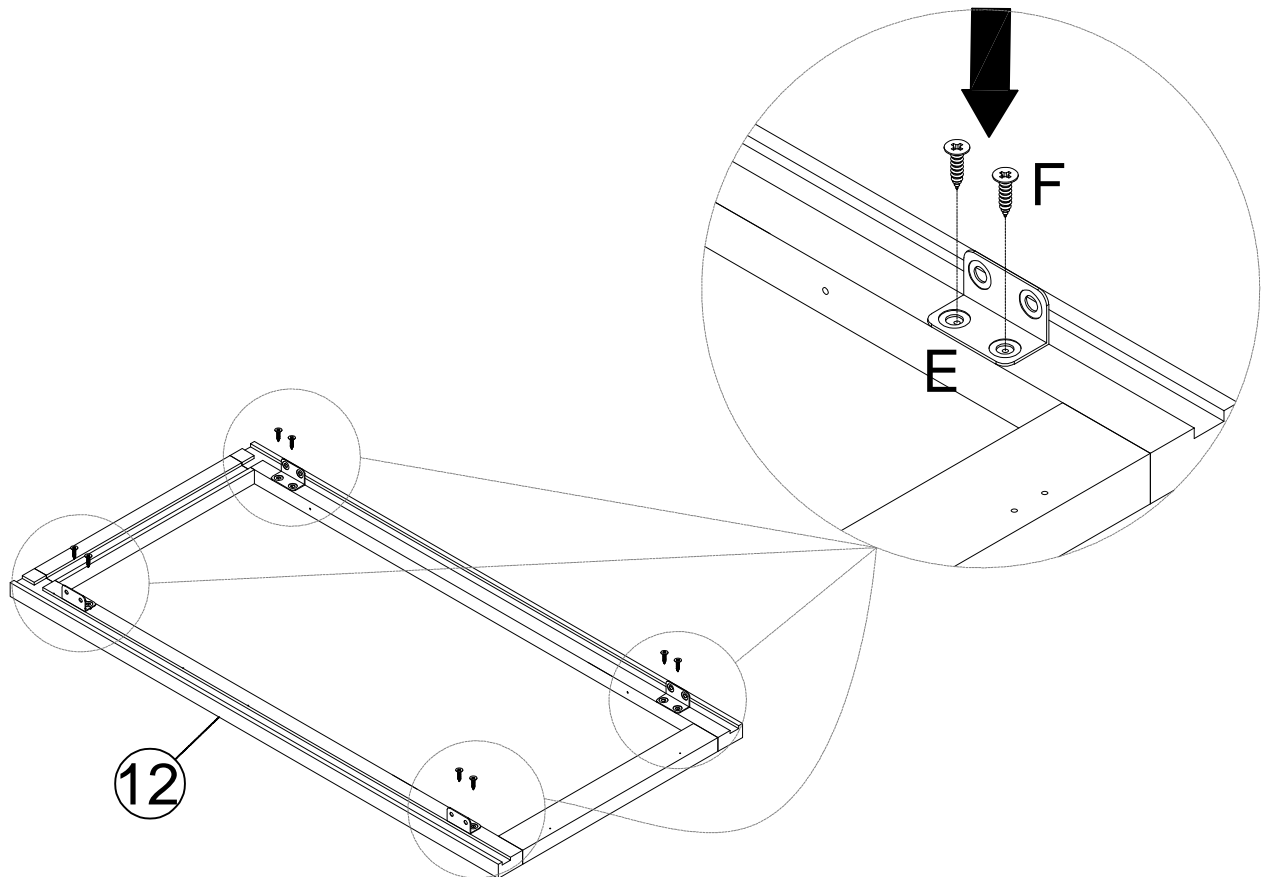
NO	NAME	QTY
1	LEFT SIDE PANEL	01pcs
2	RIGHT SIDE PANEL	01pcs
3	BOTTOM PANEL	01pcs
4	BACK PANEL	01pcs
5	SHELF	01pcs
6	TOE KICK	01pcs
7	DRAWER BACK PANEL DRAWER FRONT PANEL	01pcs
8	DRAWER SIDE PANEL	02pcs
9	DRAWER BOTTOM PANEL	01pcs
10	DRAWER FACE	01pcs
11	DOOR	01pcs
12	FACE FRAME	01pcs



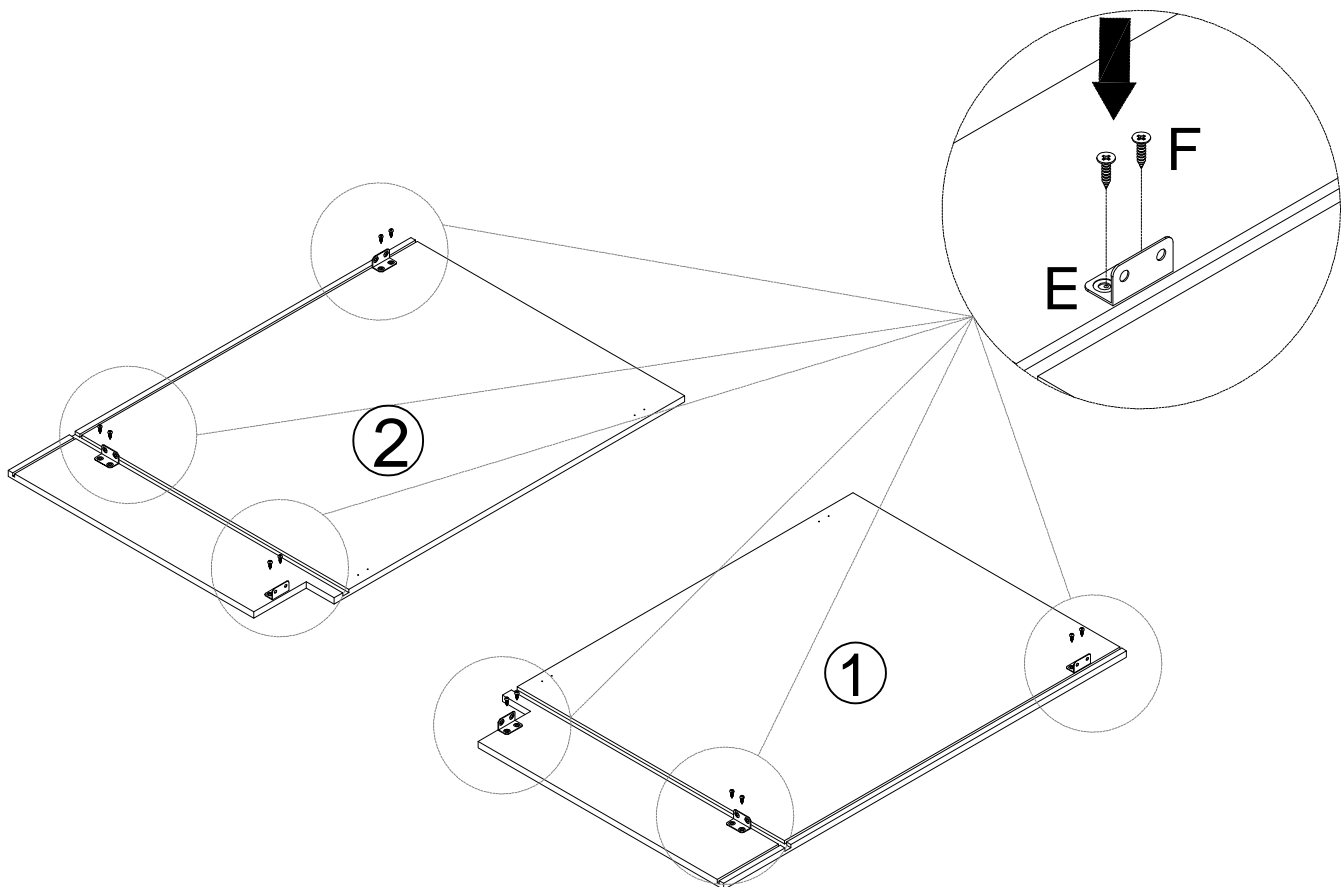
HARDWARE LIST

NO	NAME	picture	QTY
A	GLIDES		01pcs
B	HINGE 1-1/4		0pcs
C	90°METAL BRACKET		04pcs
D	SHELF PINS		0pcs
E	CORNER BRACKET		10pcs
F	Φ3.5×12mm SCREWS		57pcs
G	Φ4×25mm BACKBOARD SCREWS		20pcs
H	Φ4×19mm HINGE SCREWS		6pcs
k	Φ3.5×14mm HINGE SCREWS		8pcs
I	BUMPER		8pcs

STEP1 E x 4 F x 8

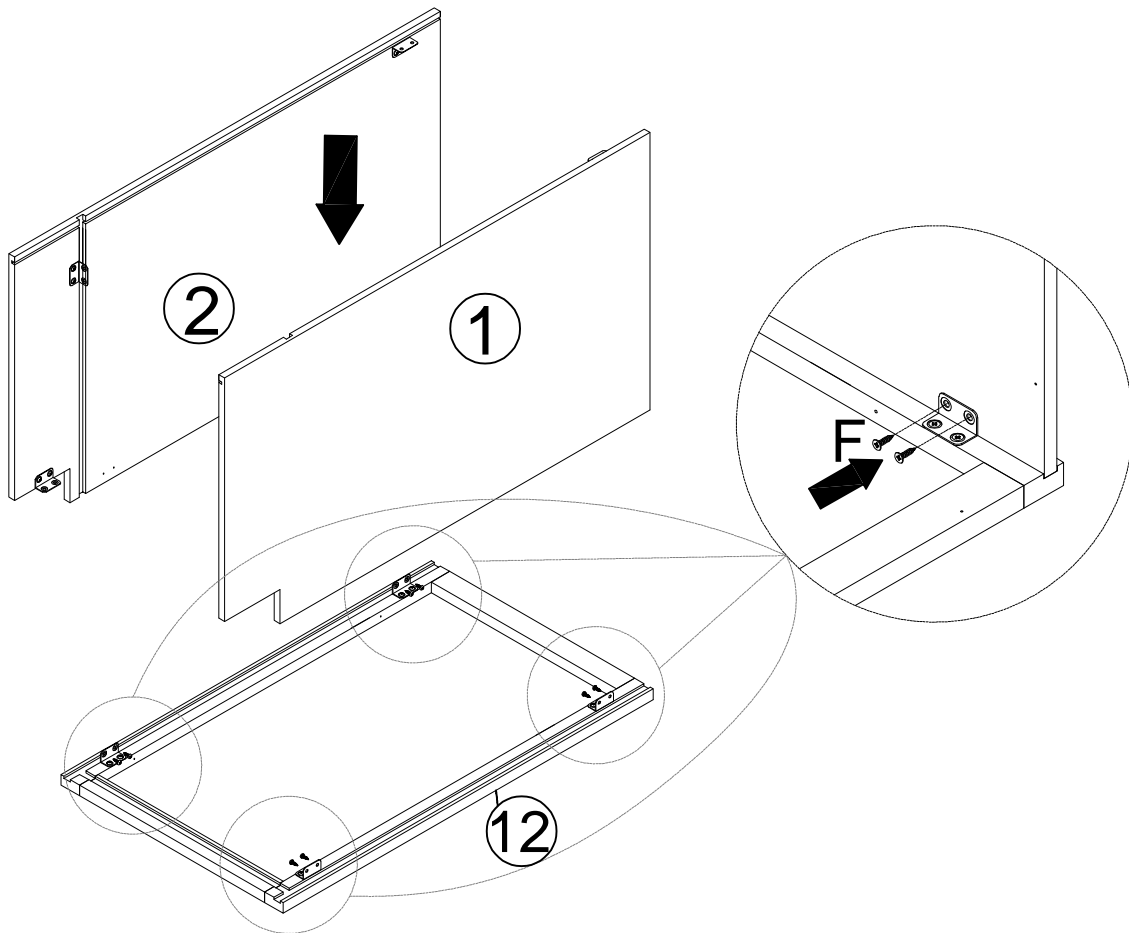


STEP2 E x 6 F x 12

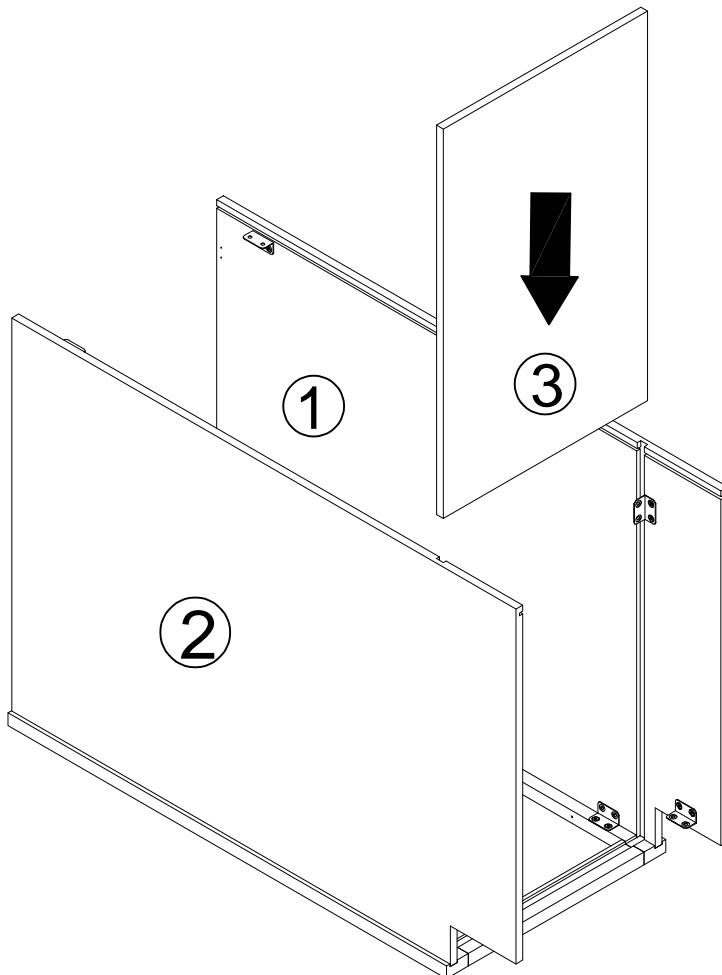


STEP3

F x 8

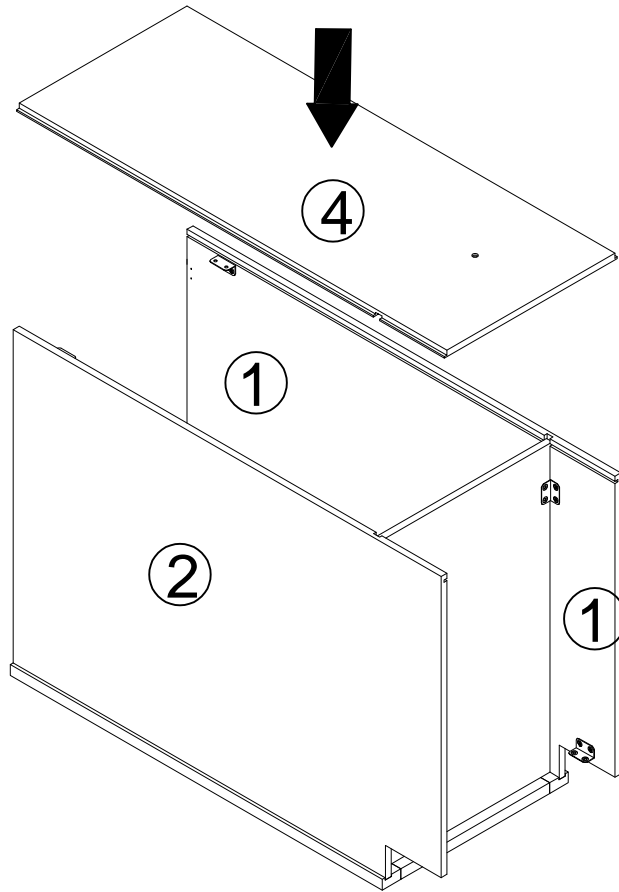


STEP4



STEP5

(4) BACK PANEL X1

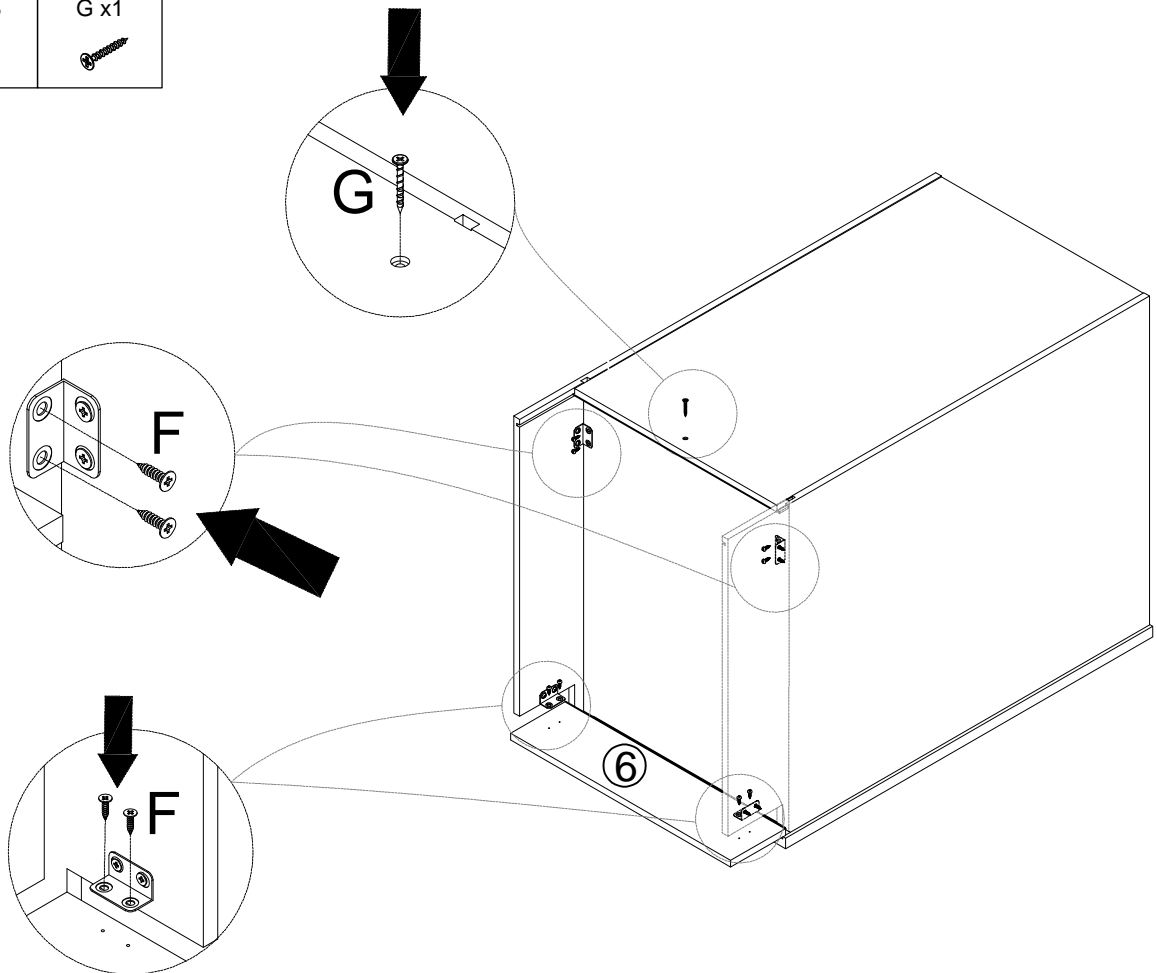


STEP6

F x 8

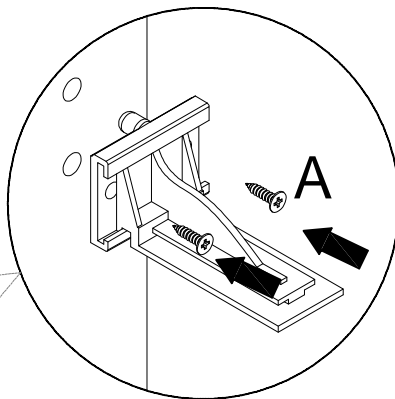
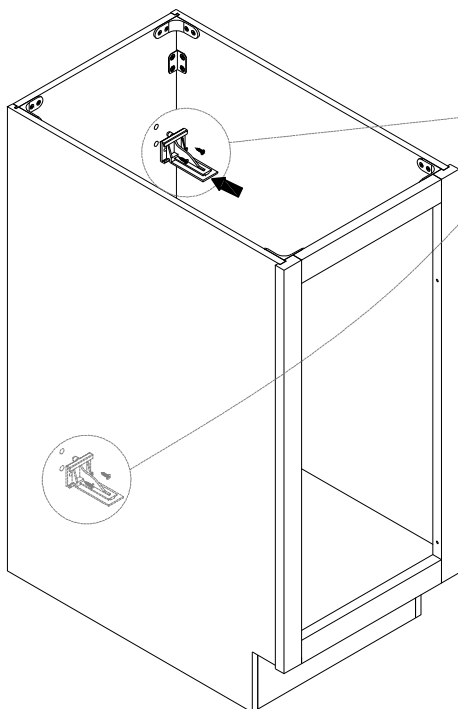


G x 1



STEP7

A x 2

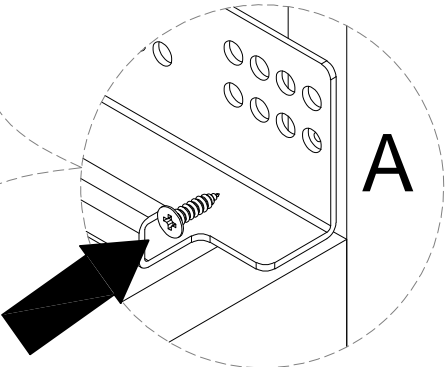
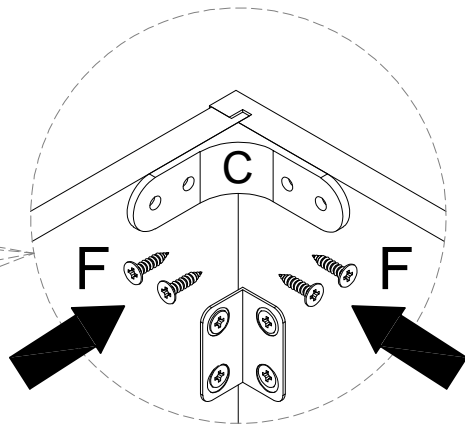
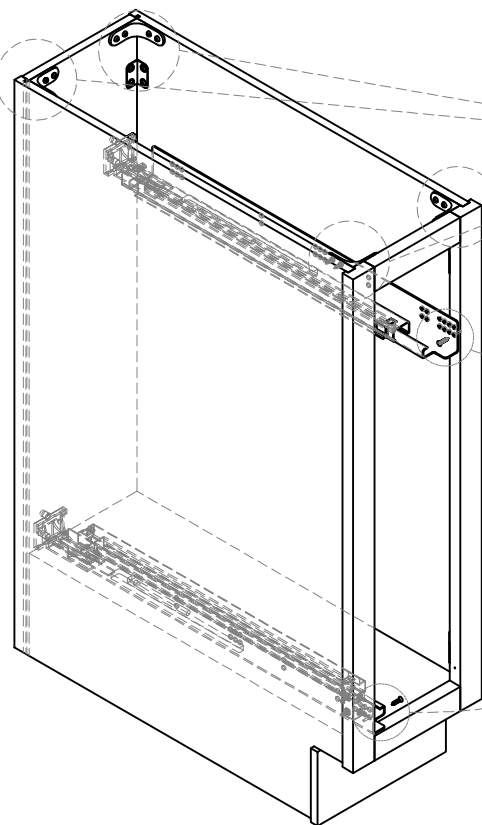
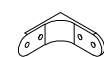


STEP8

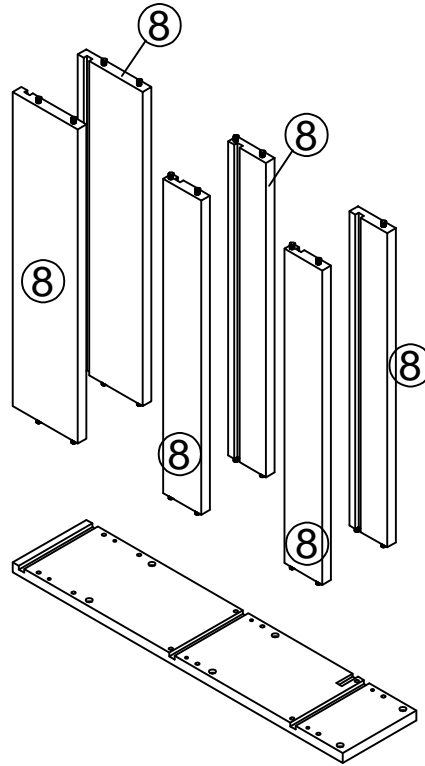
C x 4

F x 16

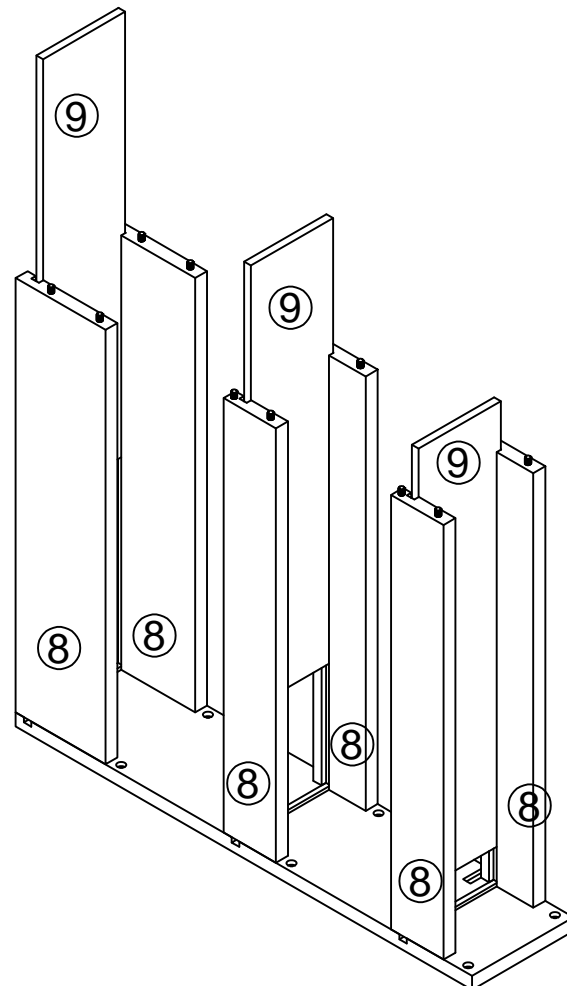
A x 6



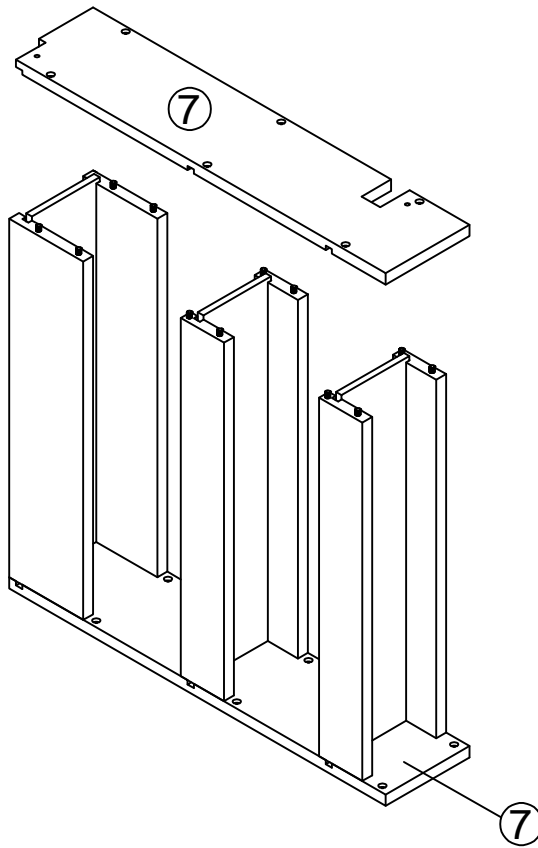
STEP9



STEP10

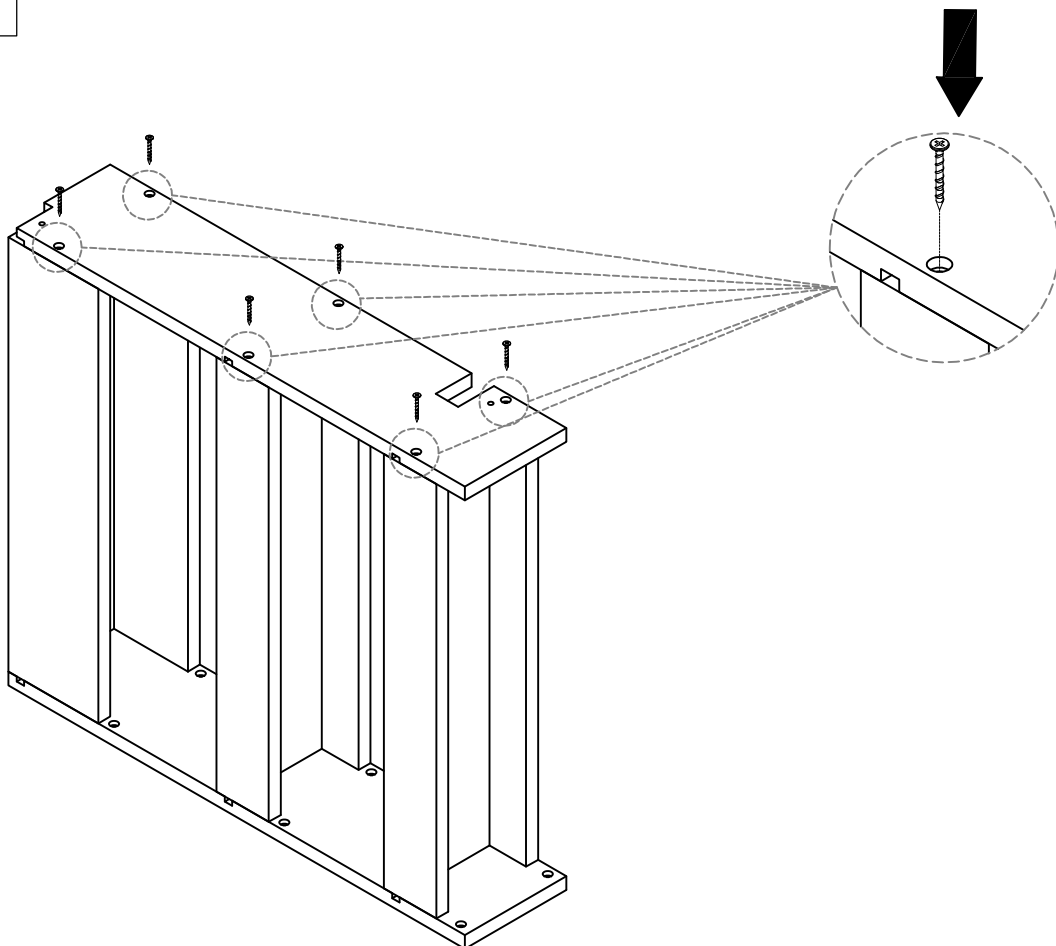


STEP11



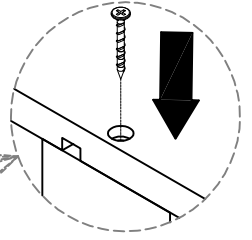
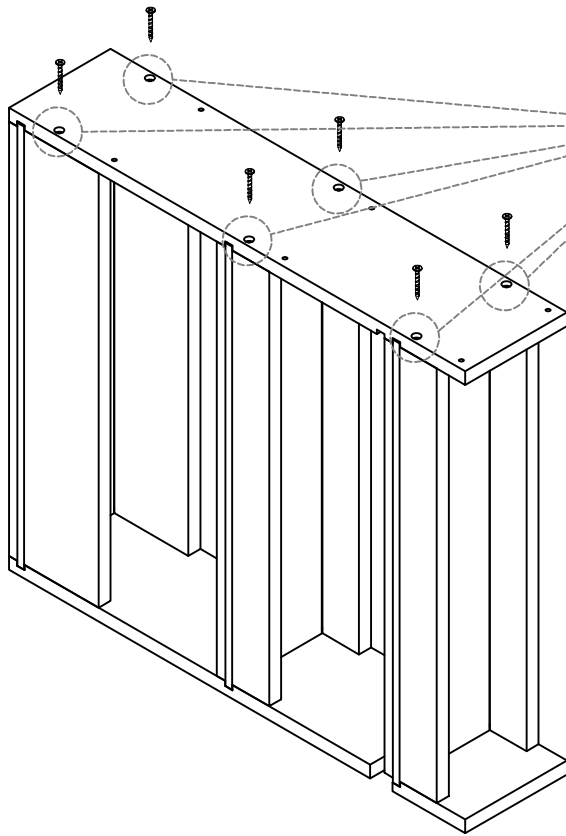
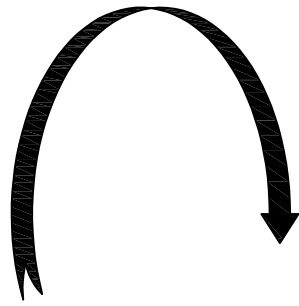
STEP12

G x 6



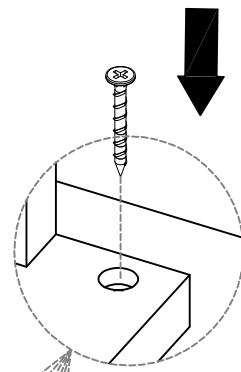
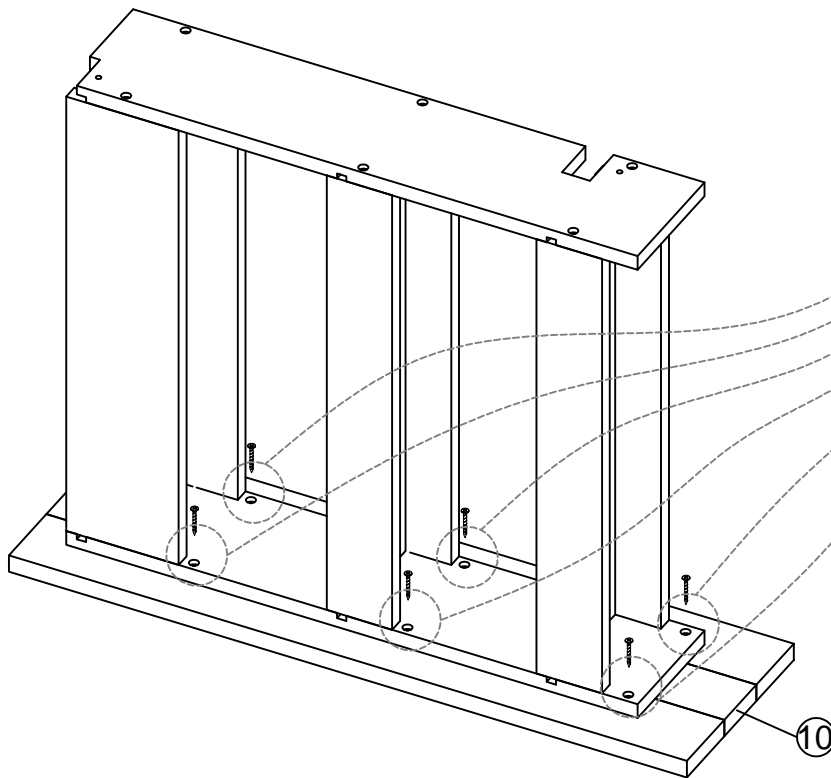
STEP13

G x 6

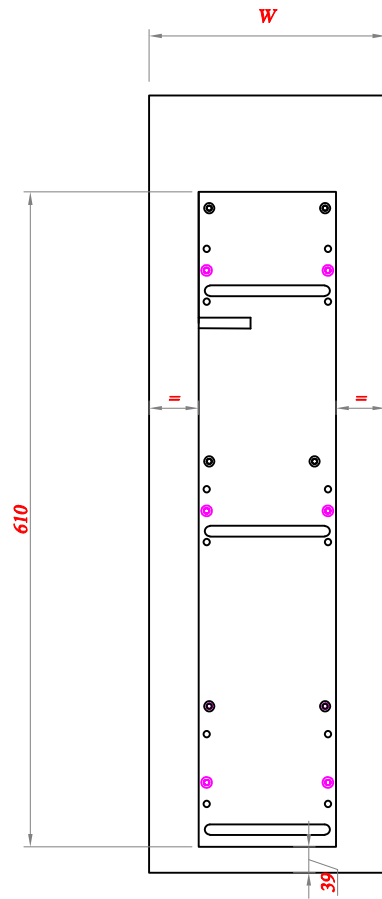


STEP14

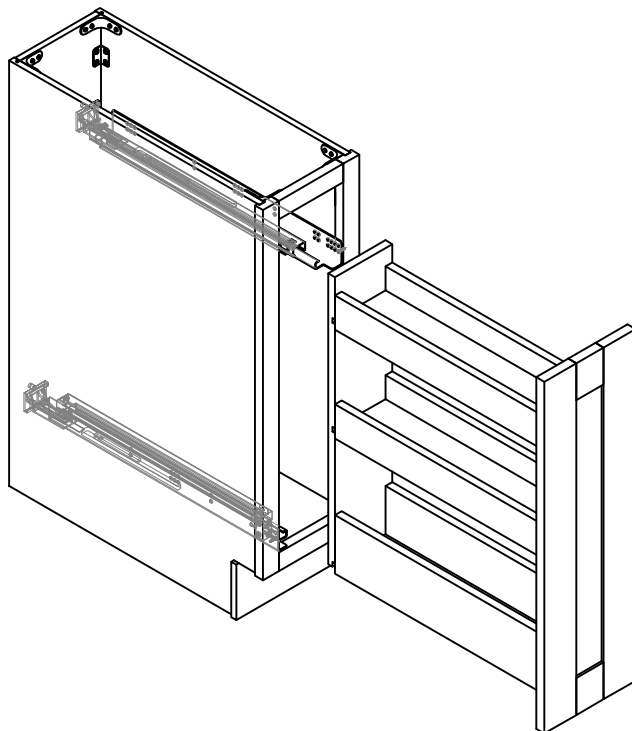
G x 6



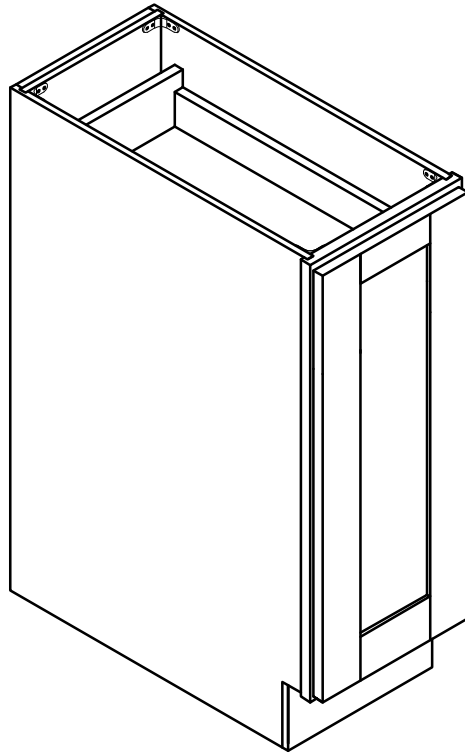
STEP15



STEP16



STEP17



STEP18