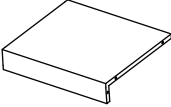
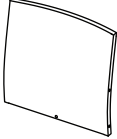
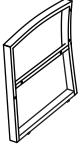
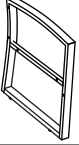

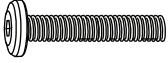




COMPONENT LIST -ARMCHAIR X 2

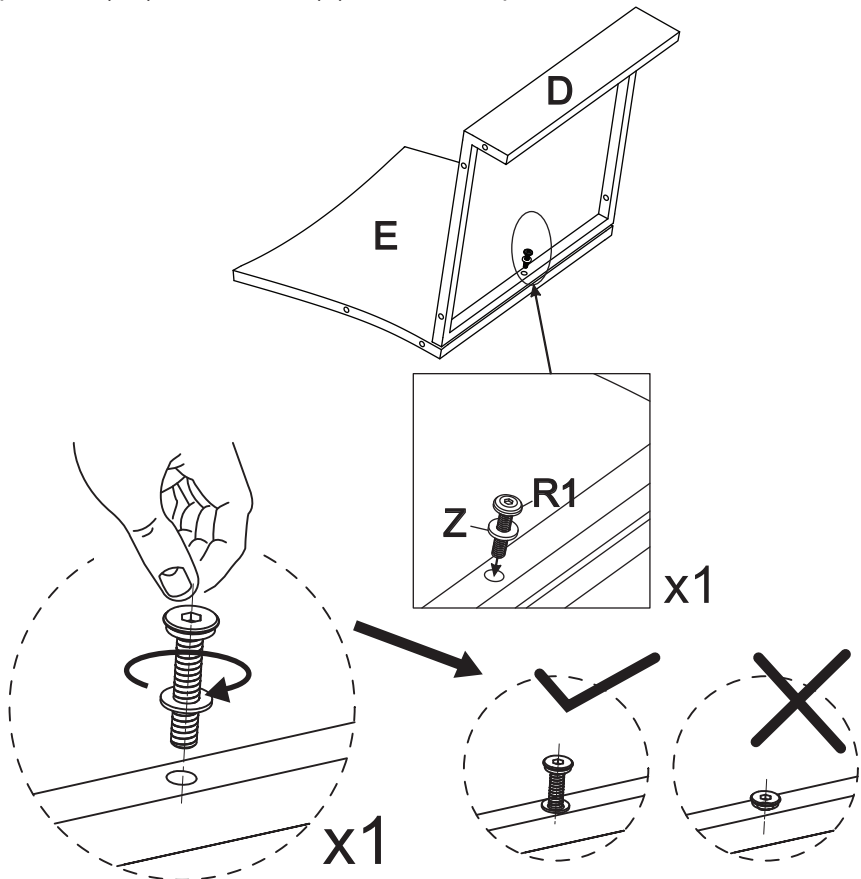
Item no.	Reference Image	Description	Qty.
D		Seat Base	1
E		Seat Back	1
F		Right Armrest	1
G		Left Armrest	1
I		Seat Cushion	1
R1		M6X40 Head Cap Screws	11
Z		Washer	11
T		Allen Key	1

NOTE:

When tightening the screws, tighten sequentially.
DO NOT tighten any screws fully and then move on to the next one.
This may cause the frame to warp.
If there is still wobbles or screw holes cannot be aligned, loosen the screws and execute this same process.
If the Chair is not stable it could lead to damage to the product.

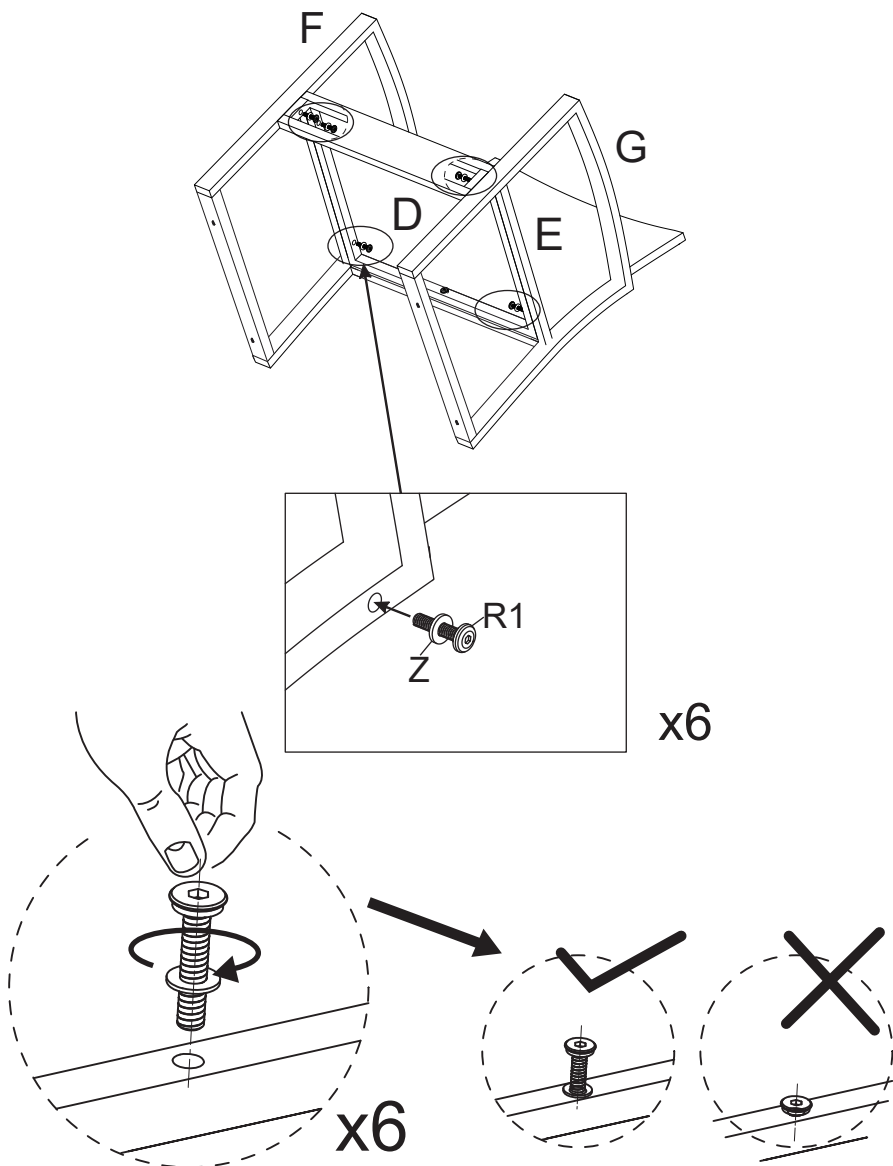
1

Attach the Seat Base (D) to the Seat Back (E) by securing with M6*40 Head Cap Screw (R1) and Washer (Z). Do this in 1 place.



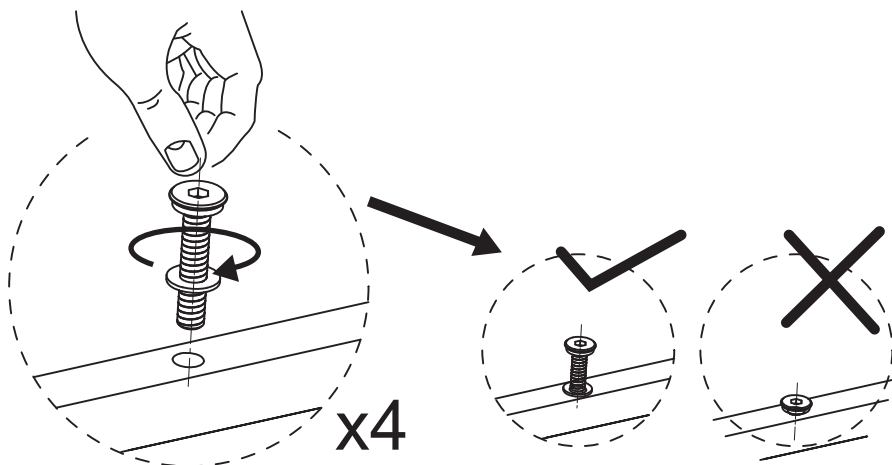
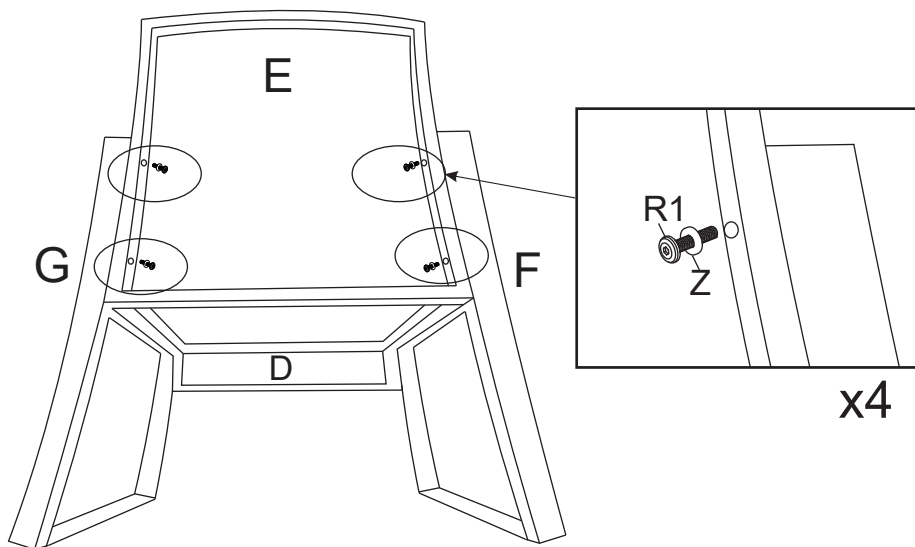
NOTE:DO NOT TIGHTEN THE SCREWS COMPLETELY.

- 2 Attach the Seat Base (D) to the Armrests (F) & (G) by securing with M6*40 Head Cap Screws (R1) and Washers (Z). Do this in 6 places.



NOTE:DO NOT TIGHTEN THE SCREWS COMPLETELY.

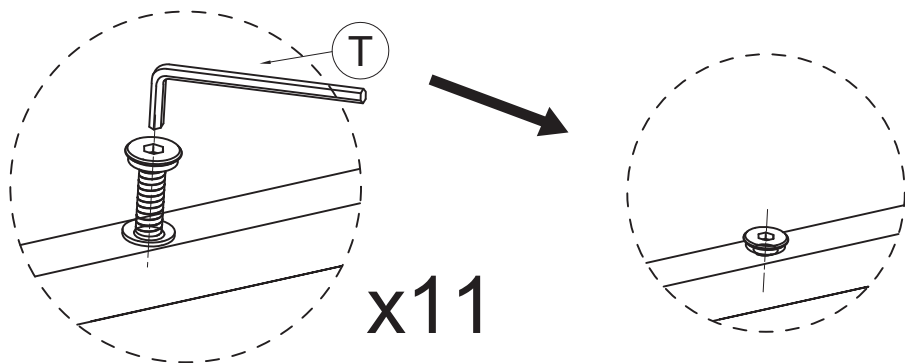
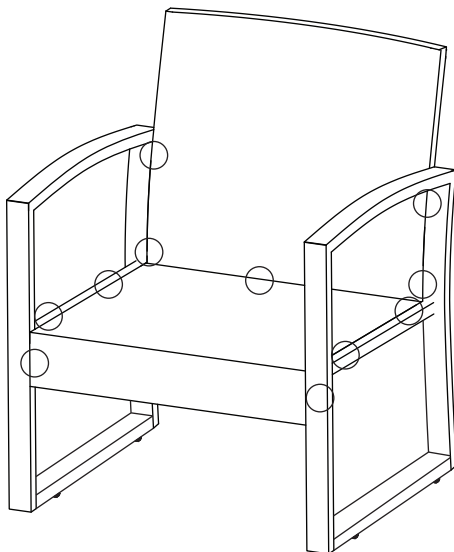
- 3** Attach the Seat Back (E) to the Armrests (F) & (G) by securing with M6*40 Head Cap Screws (R1) and Washers (Z). Do this in 4 places.



NOTE: DO NOT TIGHTEN THE SCREWS COMPLETELY.

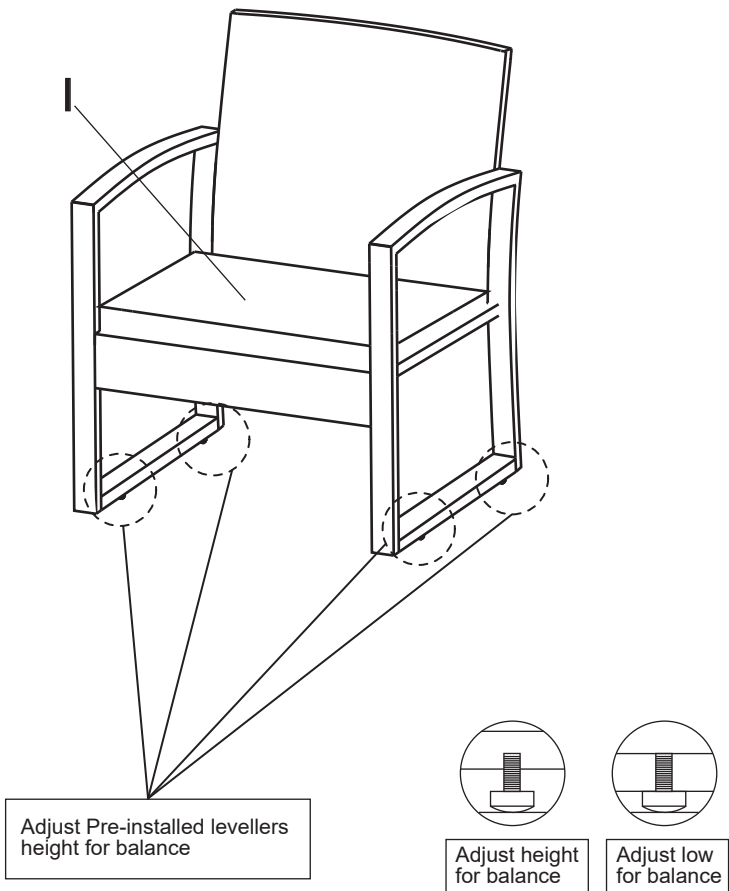
4

Tighten all 11 Screws into place with Allen Key (T).

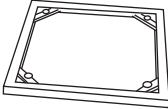
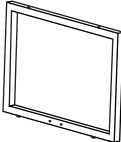

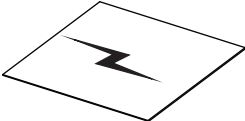






NOTE:IF ANY SCREW HOLES CANNOT BE ALIGNED,
LOOSEN ALL THE SCREWS AND GO BACK STEP
1 AND RESTART ASSEMBLY.

- 5** Place the chair on a level surface, then place Seat Cushion (I) on the chair. Your chair is ready for use.



COMPONENT LIST -TABLE

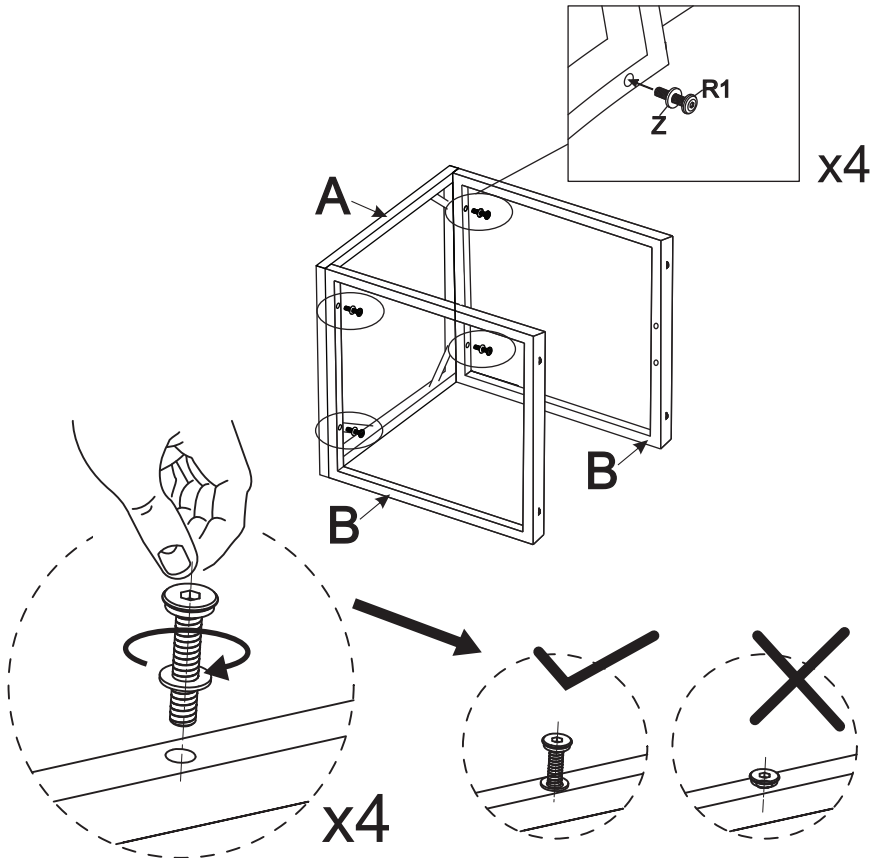
Item no.	Reference Image	Description	Qty.
A		Table Top	1
B		Table Leg	2
C		Connector	1
H		Glass	1
R1		M6X40 Head Cap Screws	4
R2		M6X20 Head Cap Screws	4
Z		Washer	8
T		Allen Key	1

NOTE:

When tightening the screws, tighten sequentially.
DO NOT tighten any screws fully and then move on to the next one.
This may cause the frame to warp.
If there is still wobbles or screw holes cannot be aligned, loosen the screws and execute this same process.
If the Table is not stable it could lead to damage to the product.

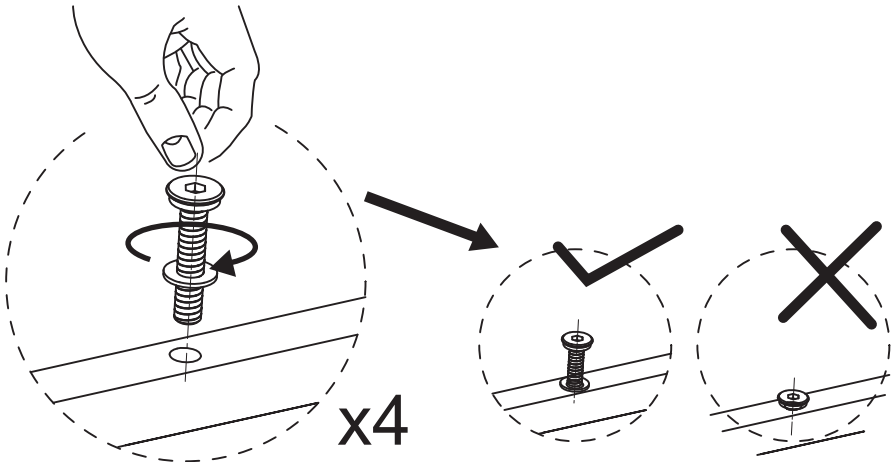
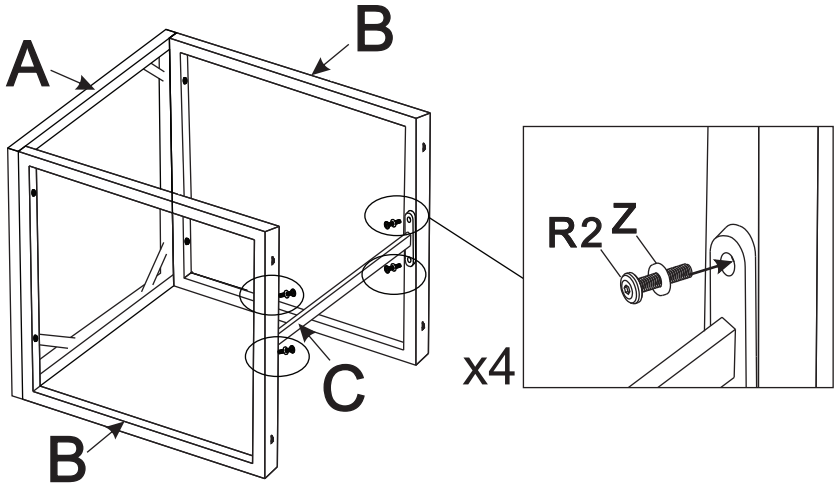
1

Attach the Table Legs (B) to the Table Top (A) by securing with M6*40 Head Cap Screws (R1) and Washers (Z). Do this in 4 places.



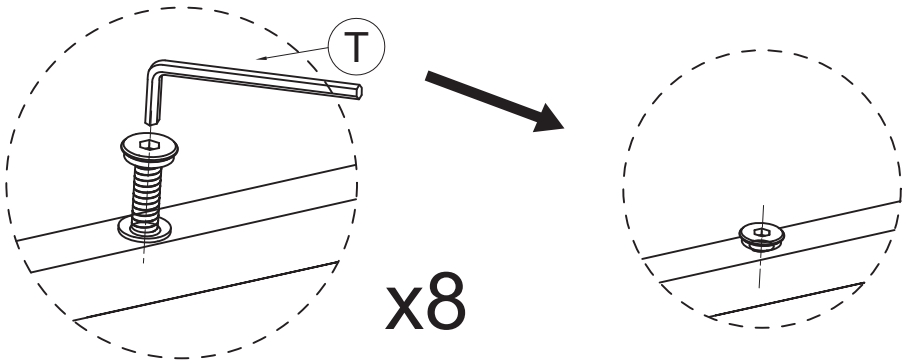
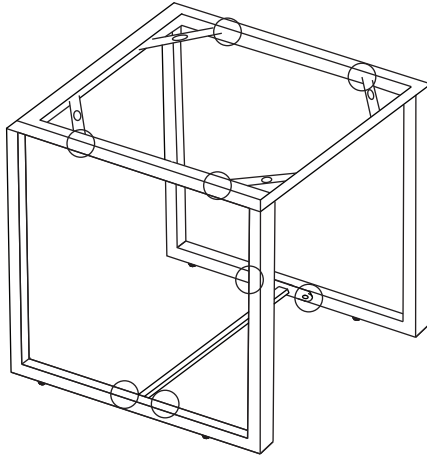
NOTE:DO NOT TIGHTEN THE SCREWS COMPLETELY.

- 2** Attach the Connector (C) to the Table Legs (B) by securing with M6*20 Head Cap Screws (R2) and Washers (Z). Do this in 4 places.



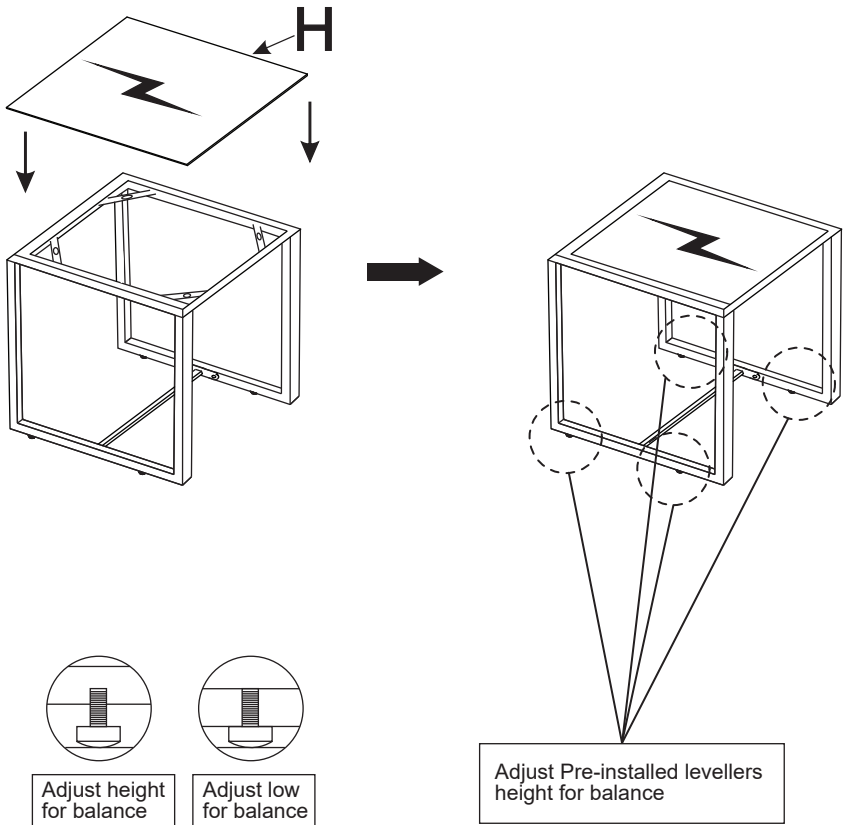
NOTE:DO NOT TIGHTEN THE SCREWS COMPLETELY.

3 Tighten all 8 Screws into place with Allen Key (T).

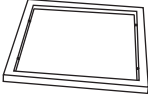




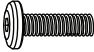




NOTE:IF ANY SCREW HOLES CANNOT BE ALIGNED,
LOOSEN ALL THE SCREWS AND GO BACK STEP
1 AND RESTART ASSEMBLY.

- 4** Place the table on a level surface, then place Glass (H) on the table. Your table is ready for use.



COMPONENT LIST -OTTOMAN X 2

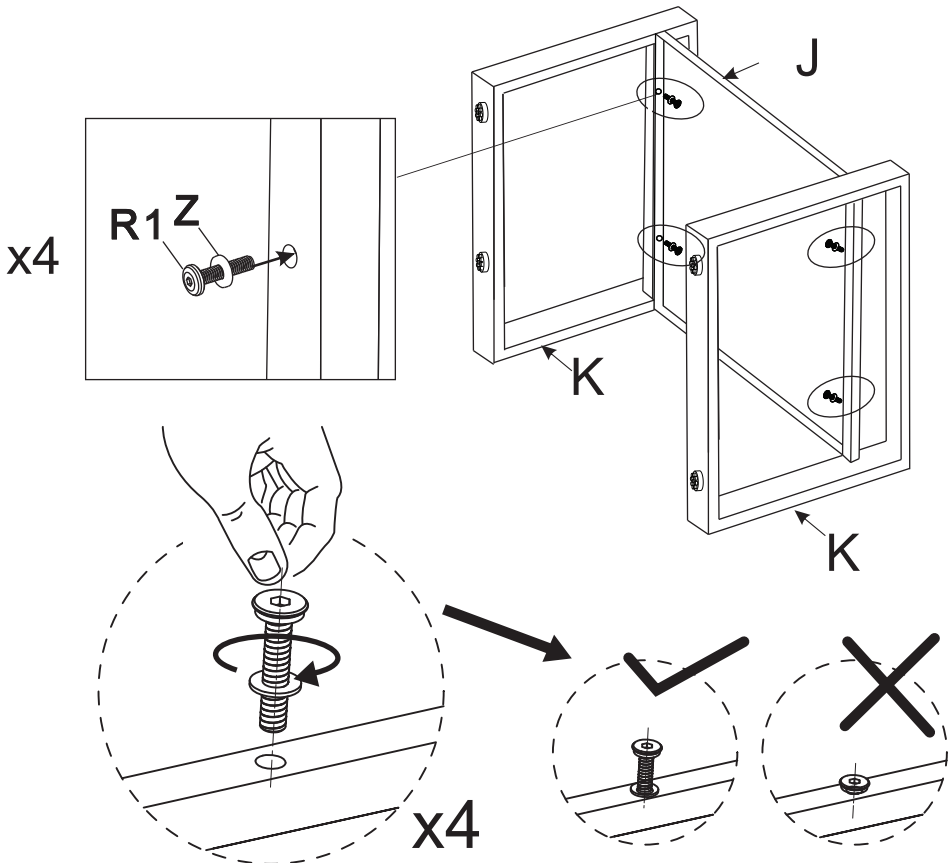
Item no.	Reference Image	Description	Qty.
J		Ottoman Top	1
K		Ottoman Leg	2
L		Connecting Rod	1
M		Ottoman Cushion	1
R1		M6X40 Head Cap Screws	4
R2		M6X20 Head Cap Screws	4
Z		Washer	8
T		Allen Key	1

NOTE:

When tightening the screws, tighten sequentially.
DO NOT tighten any screws fully and then move on to the next one.
This may cause the frame to warp.
If there is still wobbles or screw holes cannot be aligned, loosen the screws and execute this same process.
If the Ottoman is not stable it could lead to damage to the product.

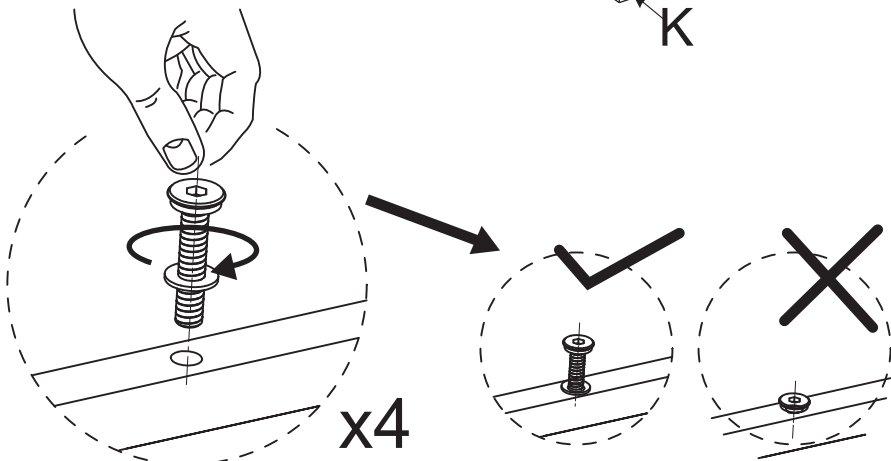
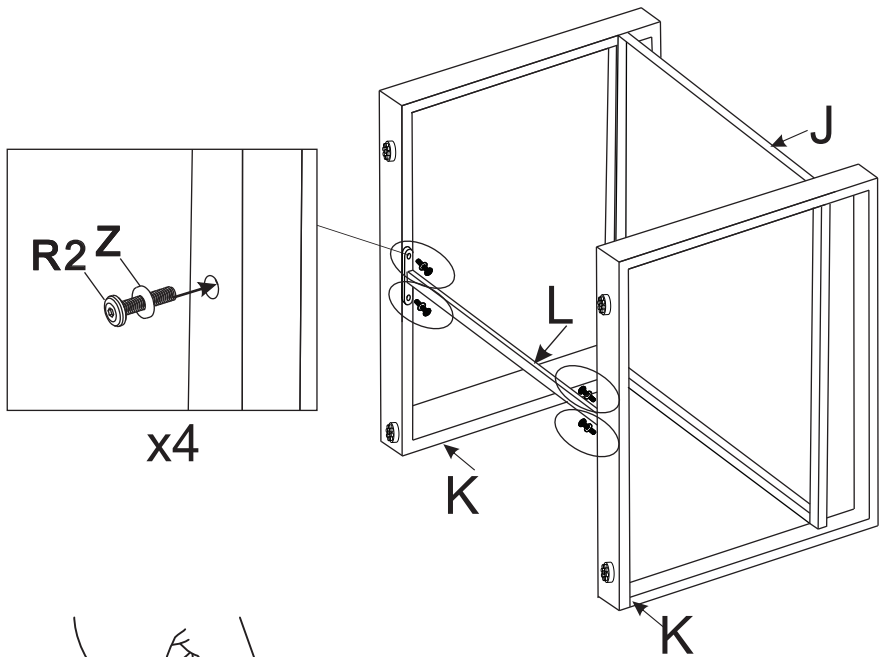
1

Attach the Ottoman Legs (K) to the Ottoman Top (J) with M6*40 Head Cap Screws (R1) and Washers (Z). Do this in 4 places.



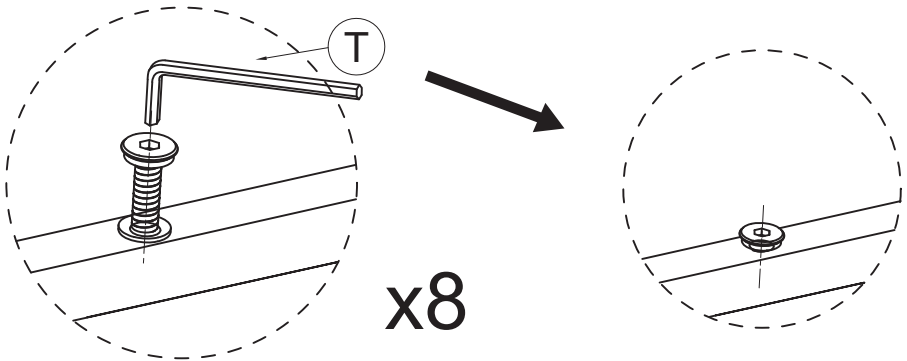
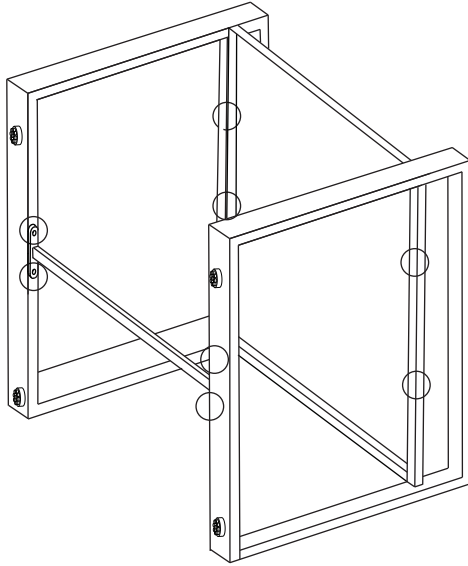
NOTE:DO NOT TIGHTEN THE SCREWS COMPLETELY.

- 2** Attach the Connecting Rod (L) to the Ottoman Legs (K) with M6*20 Head Cap Screws (R2) and Washers (Z). Do this in 4 places.



NOTE:DO NOT TIGHTEN THE SCREWS COMPLETELY.

3 Tighten all 8 Screws into place with Allen Key (T).



NOTE:IF ANY SCREW HOLES CANNOT BE ALIGNED,
LOOSEN ALL THE SCREWS AND GO BACK STEP
1 AND RESTART ASSEMBLY.

4 Place the Ottoman on a level surface. Place the Ottoman Cushion (M) on the ottoman. Your Ottoman is ready for use.

