

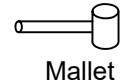
ASSEMBLY INSTRUCTIONS

ASSEMBLY
REQUIREMENTS

2-Person
Assembly

30 Minutes
Assembly Time
Per Chair

Tools Required
(Not Provided)



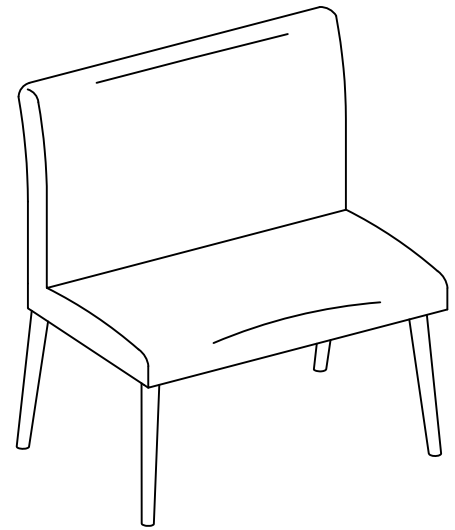
Thank you for purchasing our product!

Please refer and use this assembly instruction to assemble the product. Contact our customer service department in case there are any missing or damage parts or hardware. Replacement parts are normally shipped within 2 or 3 days.

PRODUCT PURCHASED THROUGH OUR AUTHORIZED VENDORS ONLY ARE ELIGIBLE FOR REPLACEMENT PARTS

We appreciate your business!

THIS PRODUCT IS FOR INDOOR AND HOUSEHOLD USE ONLY- NOT FOR COMMERCIAL USE.



ASSEMBLY PREPARATION

1. Remove all packaging materials, staples and packing straps from the carton.
2. Refer to Parts List and Hardware List, and ensure parts and hardware are correct before assembly. Contact customer service for missing parts.
3. Place all wooden parts on a clean, flat and soft surface (e.g. carpet or rug) to prevent scratch and damage to parts.

SAFETY PERCAUTION

1. KEEP ALL HARDWARE PARTS OUT OF REACH OF CHILDREN.
2. DISPOSE PLASTIC PACKAGING MATERIAL IMMEDIATELY TO AVOID ANY RISK OF SUFFOCATION TO CHILDREN AND ANIMALS.

TIPS FOR ASSEMBLY

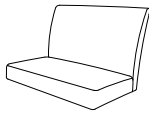

1. Allow ample room for assembly and in close proximity to where product will be placed.
2. Assemble the product on a surface that does not scratch or damage the exterior gloss and finish of the furniture.
3. Identify all of the parts, hardware and quantities required for each step.
4. During assembly, do not over-tighten any fittings as this may cause damage.
5. DO NOT USE POWER TOOLS TO ASSEMBLE THIS PRODUCT.
6. Always place the product on a flat, level surface.
7. Do not sit or stand on the partially assembled product; only use the product for which it is intended.

CARE AND MAINTENANCE





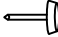
- Wipe clean with a soft , dry cloth; avoid the use of harsh chemicals or household cleaners as they may damage the exterior finish of the furniture.
- Hardware may loosen over time. Periodically , check that all connections are tight ; re-tighten as necessary.
- Solid wood is impacted by heat and humidity fluctuations which may cause in small joint separations or hairline cracks; place the furniture away from direct sunlight and air conditioning vents, heating vents or units to protect the furniture.

ASSEMBLY INSTRUCTIONS

PARTS LIST (FOR 1 COMPLETE CHAIR)

Item	Description	Part	Qty
1	Chair Body		1
2	Leg		4

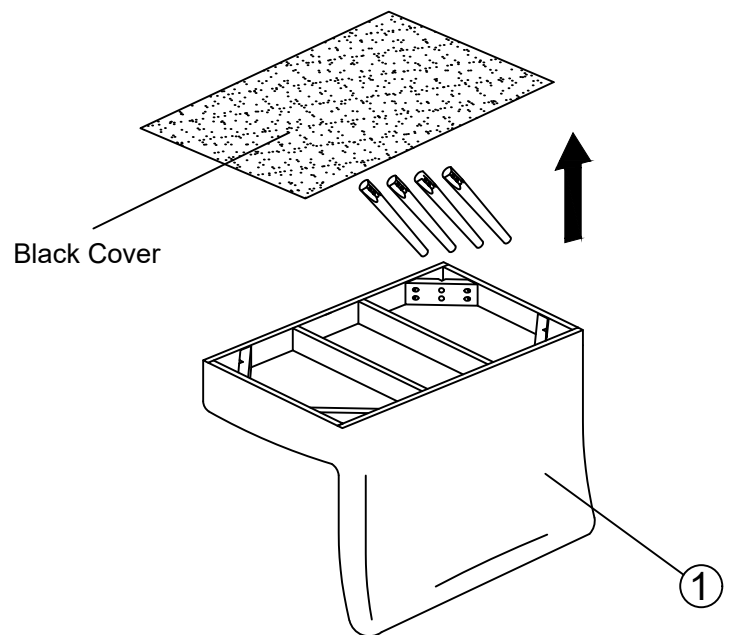
HARDWARE LIST (FOR 1 COMPLETE CHAIR)

NO.	DESCRIPTION	QTY	EXTRA
A	Allen Key 	1	
B	JCBC M6 x 40mm 	8	2
C	Flat Washer M6 	8	2
D	Spring Washer 	8	2
E	Leg Stud 	4	2

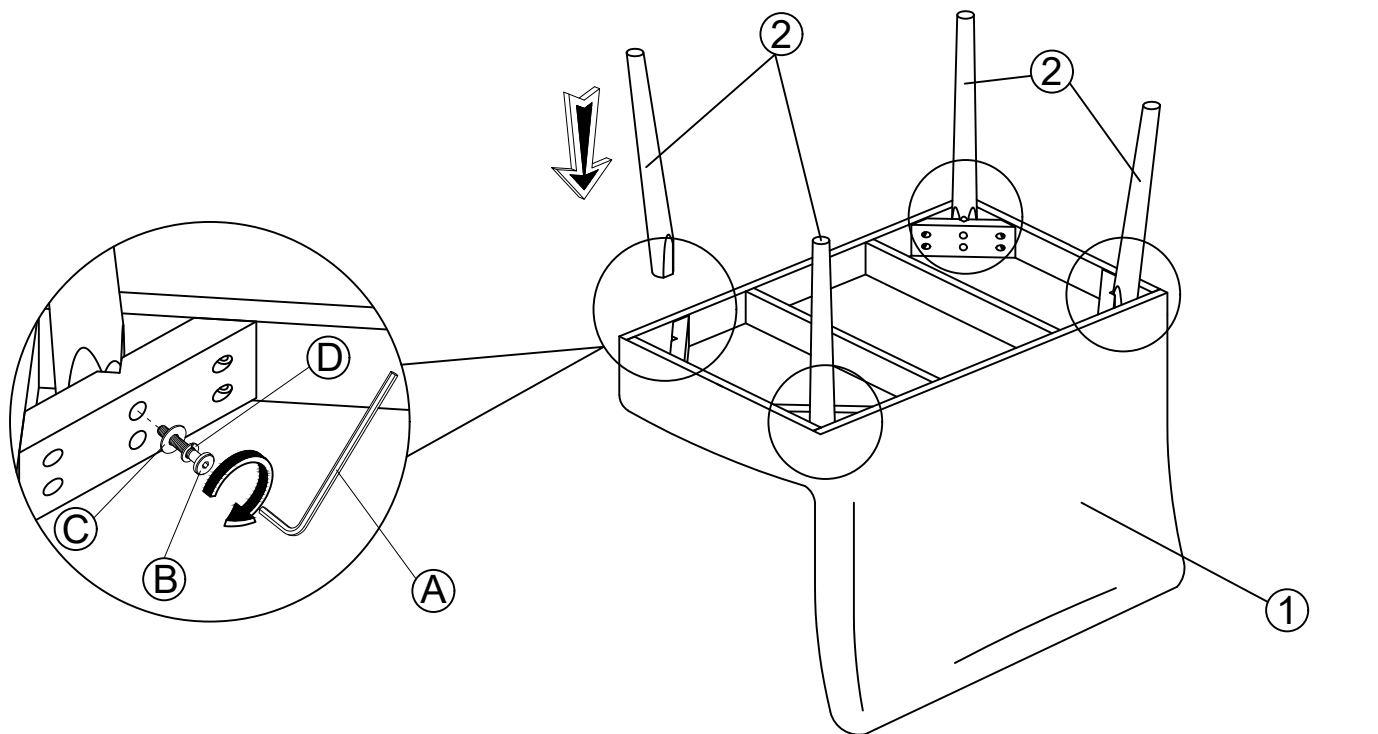
EXTRA HARDWARE FOR SPARE USE

STEP 1

a) Set the Chair Body (1) bottom-side up and open the black cover to access Leg (2) stored therein.



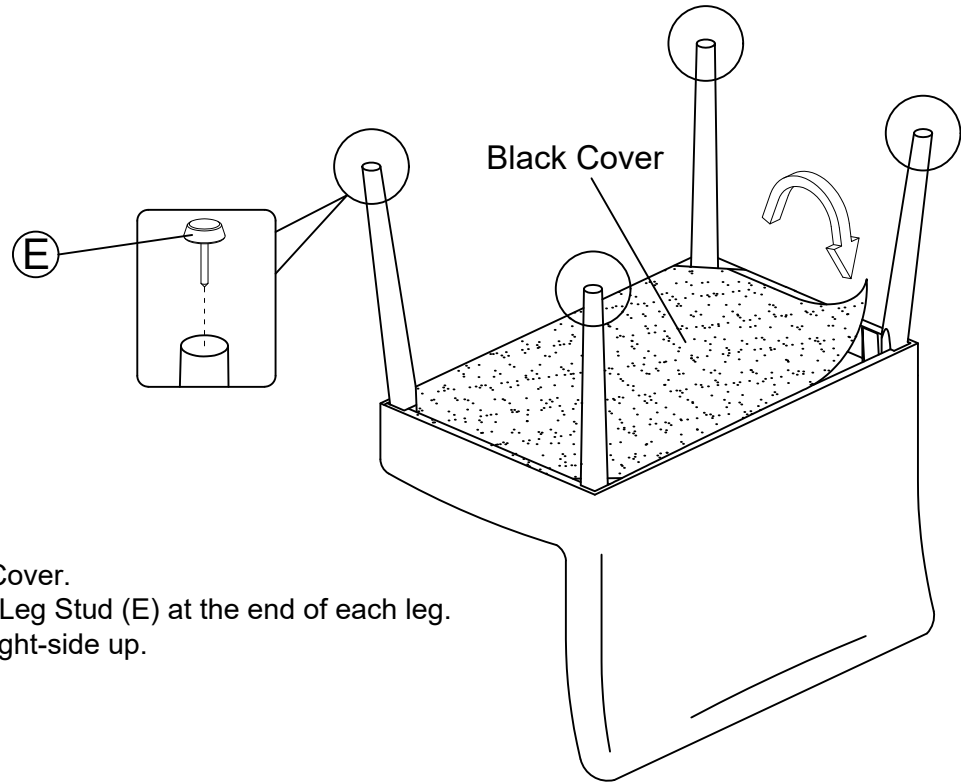
STEP 2



- a) Position Leg (2) with bolt holes facing and align to the holes on the Corner Block.
- b) Next, insert Bolt (B) fitted with Spring Washer (D) and Flat Washer (C) into the bolt holes and use Allen Key (A) to tighten (B).
- c) Do not tighten completely until both bolts are in place on each leg.

ASSEMBLY INSTRUCTIONS

STEP 3



- Replace the Black Cover.
- Use a mallet to nail Leg Stud (E) at the end of each leg.
- Set the Love Seat right-side up.

The assembly of the Love Seat is complete.