

## ASSEMBLING & INSTALLATION INSTRUCTIONS

The drawing shown may not exactly match the product enclosed. However, the installation instructions do apply to this product.

- ◆ **WARNING! SHUT POWER OFF AT FUSE OR CIRCUIT BREAKER.**
- ◆ **ATTENTION! COUPER LE COURANT AU FUSIBLE OU UN DISJONCTEUR.**

### ASSEMBLING THE FIXTURE (Fig.1)

1. Shut off the power at the circuit breaker box. Remove old fixture and all hardware from Junction Box. Carefully unpack your new fixture and lay out all the parts on a clear area. Take care not to lose any small parts necessary for installation.
2. Thread the two mounting screws about 1/4" into the pre-drilled holes in the mounting plate, spaced about the same distance apart as the holes in the fixture back plate. Attach the mounting plate to the junction box using two junction box screws as shown. **The side of the mounting plate marked "GND" must face out.** The junction box is not included.
3. Guide fixture wires through hole in center of mounting plate. Follow wiring instructions carefully (see fig.2).
4. Attach the fixture body(A) by aligning mounting holes in fixture back plate with mounting screws, threading ball nuts (B) onto mounting screws.
5. Install the light bulbs(Not included) in accordance with the fixture's specifications. **DO NOT EXCEED THE MAXIMUM WATTAGE RATING!**
6. Attach the shade(C) onto the fixture body, aligning mounting hole with screw hole of the fixture body, lock it securely with the ball nuts(D).

### CONNECTING THE WIRES (Fig.2)

1. Connect the electrical wires as follows. Connect the Black wire from the fixture to the black house (hot) Wire. Connect the white wire from the fixture to the white (neutral) house wire. Make sure all wire nuts are secured. You may wrap the connections with electrical tape. If your outlet box has a ground wires (green or bare copper) connect fixture's ground wire to it. Otherwise attach the bare copper fixture wire to the green ground screw on the mounting plate.
2. Tuck the wire connections neatly into the wall junction box.

**Your installation is now complete. Return power to the junction box and test the fixture.**

FIG.1

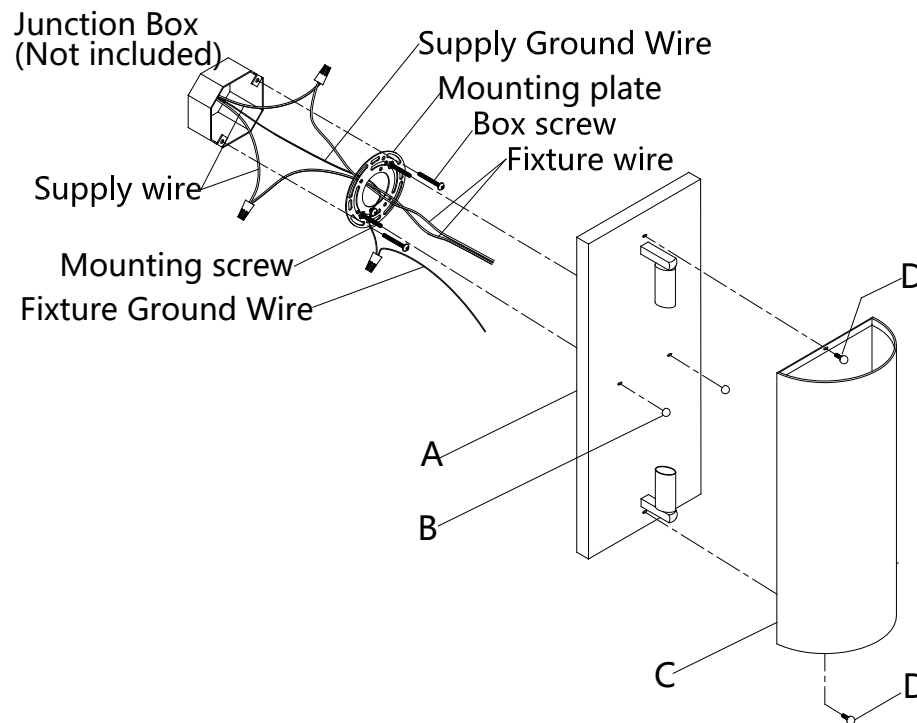


FIG.2

