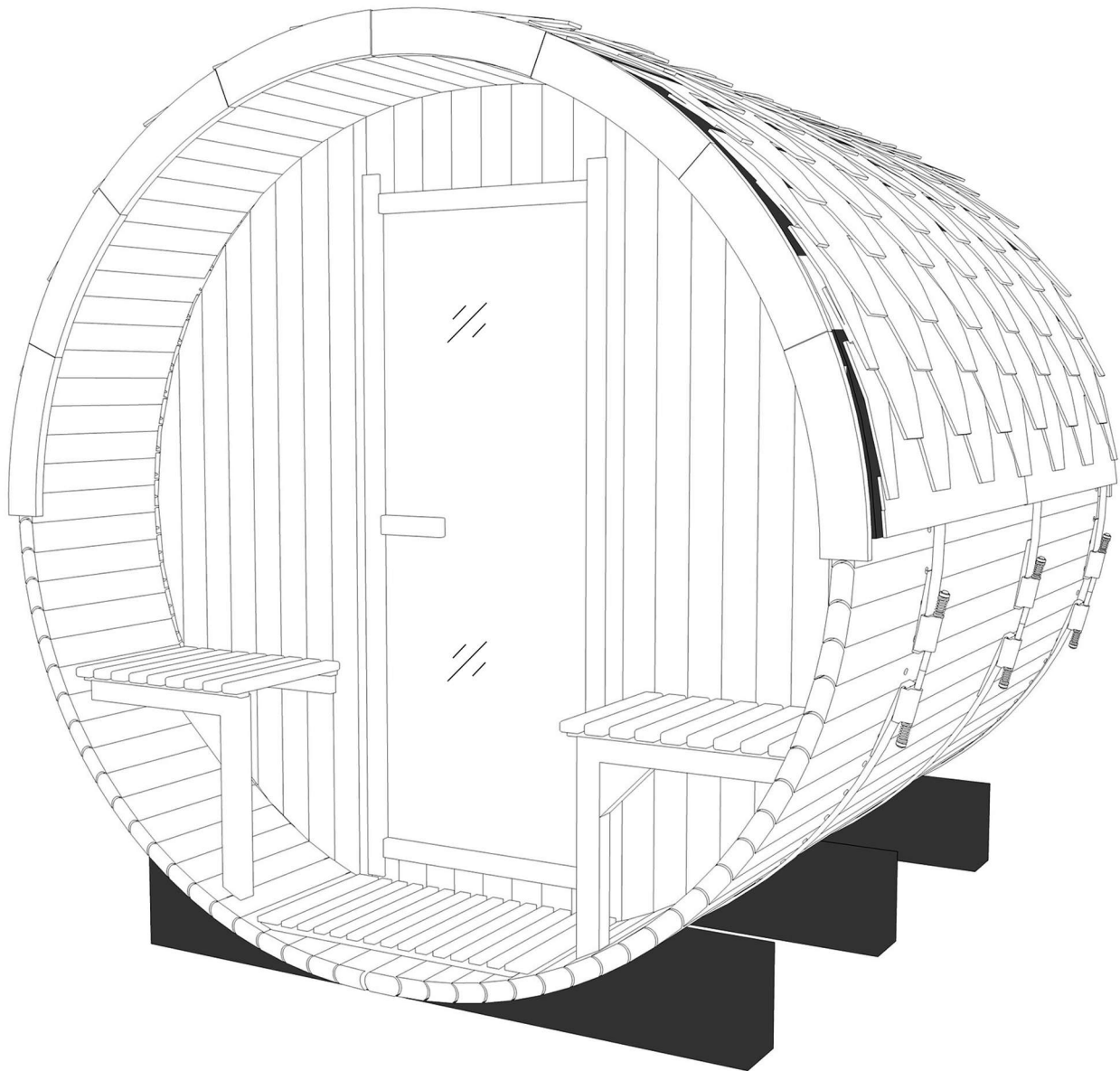


# User's Manual



# Contents

Sequences and contents of sauna assembly	Page
Instructions before use .....	- 3 -
Sauna barrel room	
1.Base assembly steps .....	- 7 -
2.Front and back wall assembly steps.....	- 8 -
3.Stave assembly steps .....	- 10 -
4.Steel strip assembly steps .....	- 13-
5.Bench assembly steps .....	- 16 -
6.Sauna stove and lamp assembly steps .....	- 17 -
7.Porch bench assembly steps .....	- 18 -
8.Floor assembly steps .....	- 19 -
9.Waterproof tiles assembly steps .....	- 20 -
10.Shingle assembly steps .....	- 20 -
11.Lintel assembly steps .....	- 22 -

## Warnings & Instructions before Use

1. Consult your doctor with any health related limitations related to sauna use. It may cause serious injury or death if you ignoring advice from your medical provider.
2. Do not smoke, use alcohol in the sauna. It may cause users to loss consciousness.
3. No more than 30 minutes per sauna session, do not use the sauna as an endurance test.
4. For those with pre-existing health conditions, please do not use sauna by yourself.
5. Do not put any conbustible material close to the sauna heater! It may cause fire.
6. Stop using sauna if you have below hyperthermia symptoms:
  - High body temperature (103° F or higher)
  - Hot, red, dry, or damp skin.
  - Fast, strong pulse.
  - Headache.
  - Dizziness.
  - Nausea.
  - Confusion.
7. Parents should consult children' s pediatrician before allowing children to use the sauna.
8. Please read sauna heater' s manual before using the heater.
9. Do not sleep in sauna while the heater is turning on. Sleeping in sauna may lead to injury or death.
10. The sauna is not intended for use by persons with reduced mental, physical, sensory capabilities, or lack of expenience and knowledge, unless they have been given instructions or supervision concerning use of the sauna by a person responsible for their safety.

# Introduction:

## Instructions before assembly

1. At least two people are required to assemble the sauna.
2. Assembly location: check whether the ground or platform is horizontal. and slight slope will not affect the assembly and use of sauna. but if the slope is evident, a pad is needed to keep the sauna level.
3. All screw heads to assemble sauna must be completely inserted into wood to avoid scratching skin during use. If you want to assemble accessories provided by other companies to the sauna, try to avoid metal accessories, or insulate them.
4. Please find qualified electricians to install the electrical elements in sauna.

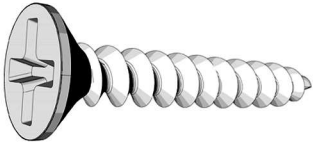
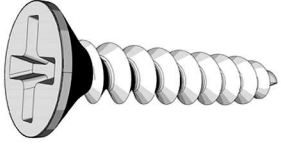
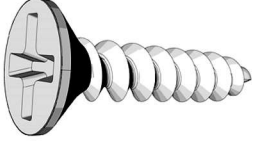
## 1. Tools you need to prepare



## 2. Tools you need to prepare

Power Drill × 1	Adjustable Wrench × 2	Tape × 1	Bar Level × 1	Pencil × 1
				

## ACCESSORIES LIST:

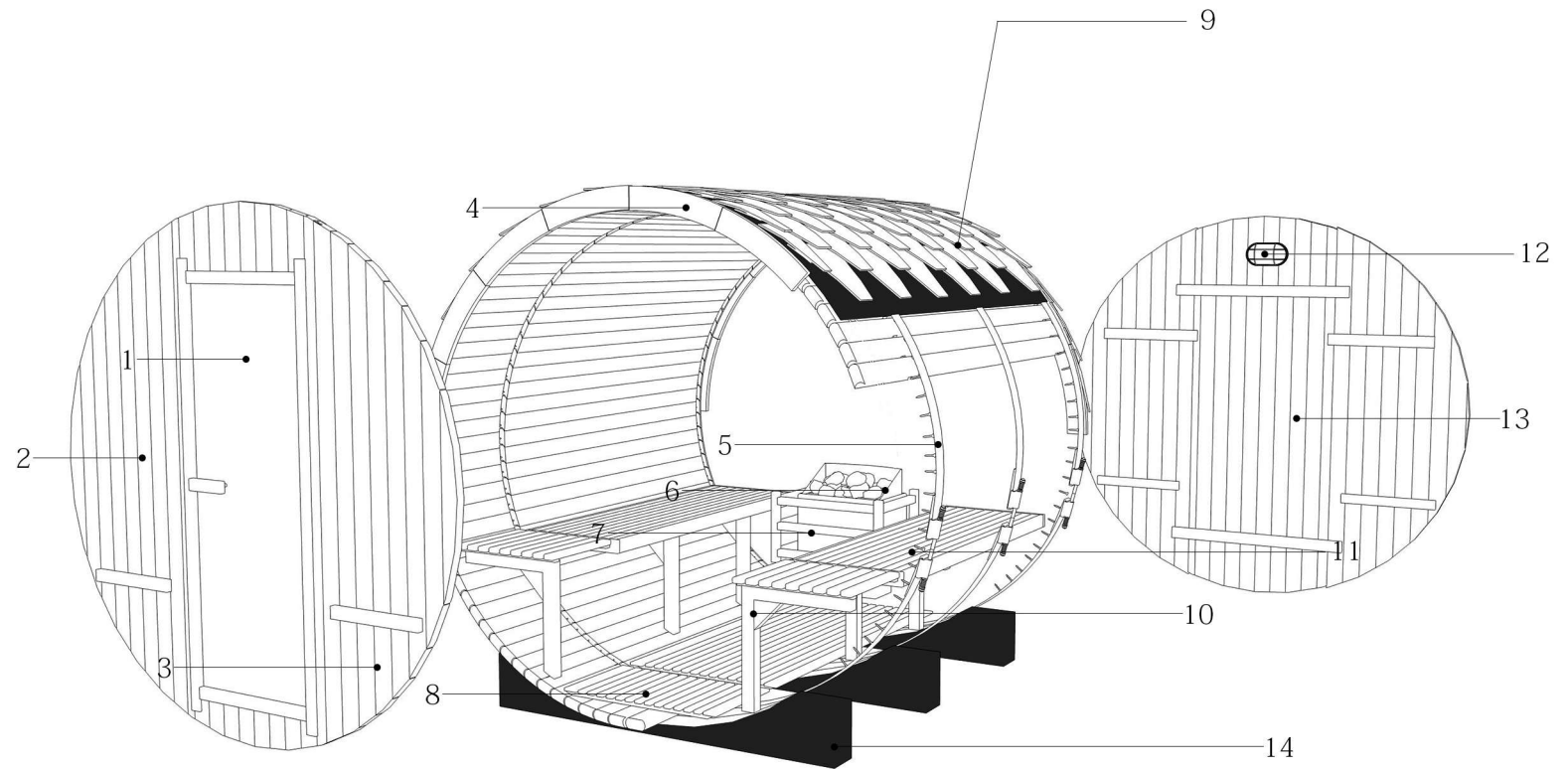
A		Screws 4 × 50mm / #8 × 2"
B		Screws 4 × 40mm / #8 × 1½"
C		Screws 4 × 30mm / #8 × 1¼"

## BARREL BOARD LIST:

① x 1	② x 1	③ x 2	④	⑤ x 2	⑥
-------	-------	-------	---	-------	---

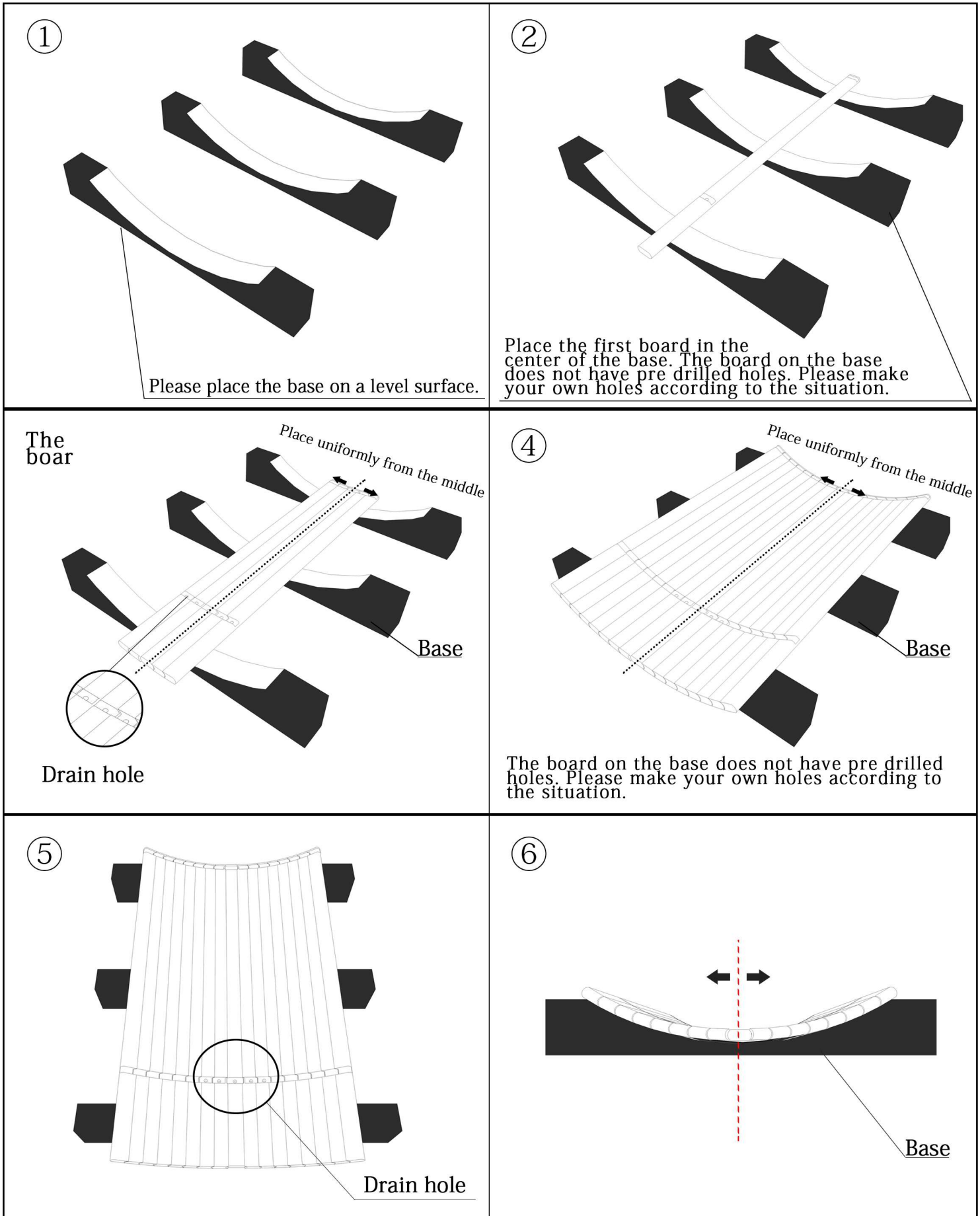
(both side are convex) (both side are concave) (with drainage/Right) (Right half of the barrel) (with drainage/left) (left half of the barrel)

## Wooden components of sauna



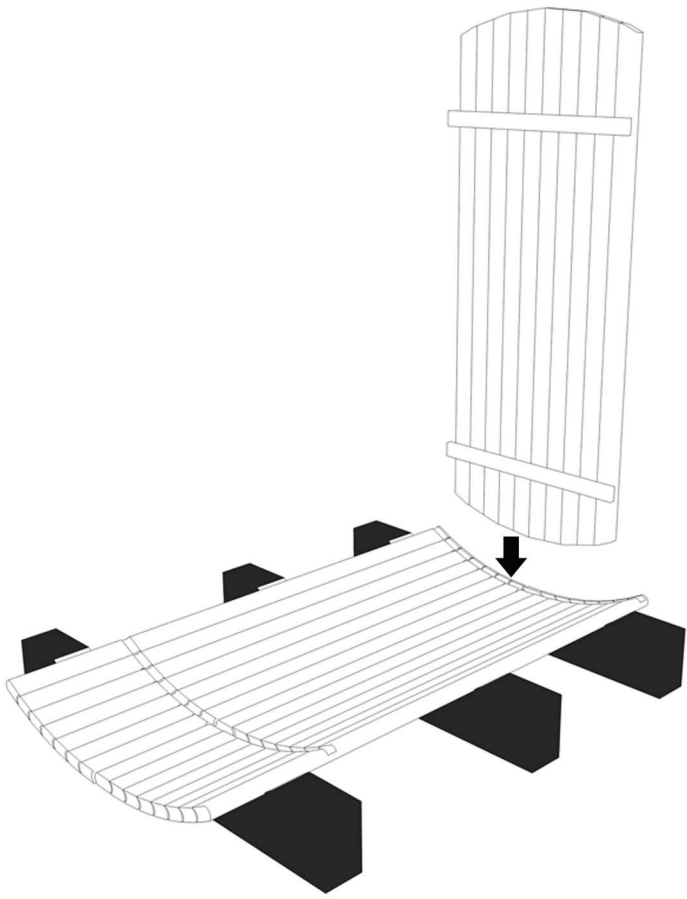
NO.	NAME	QUANTITY	NO.	NAME	QUANTITY
1	Front wall glass door	1	8	Floor	1
2	Left panel of front wall	1	9	Waterproof layer	1
3	Right panel of front wall	1	10	Support plate	6
4	Lintel	24	11	Bench	4
5	Steel strip	3	12	Lamp (optional)	1
6	Sauna stove (optional)	1	13	Back wall	3
7	Stove fence (optional)	1	14	Base	3

# 1. Base assembly step



# 2. Front and back wall assembly

①

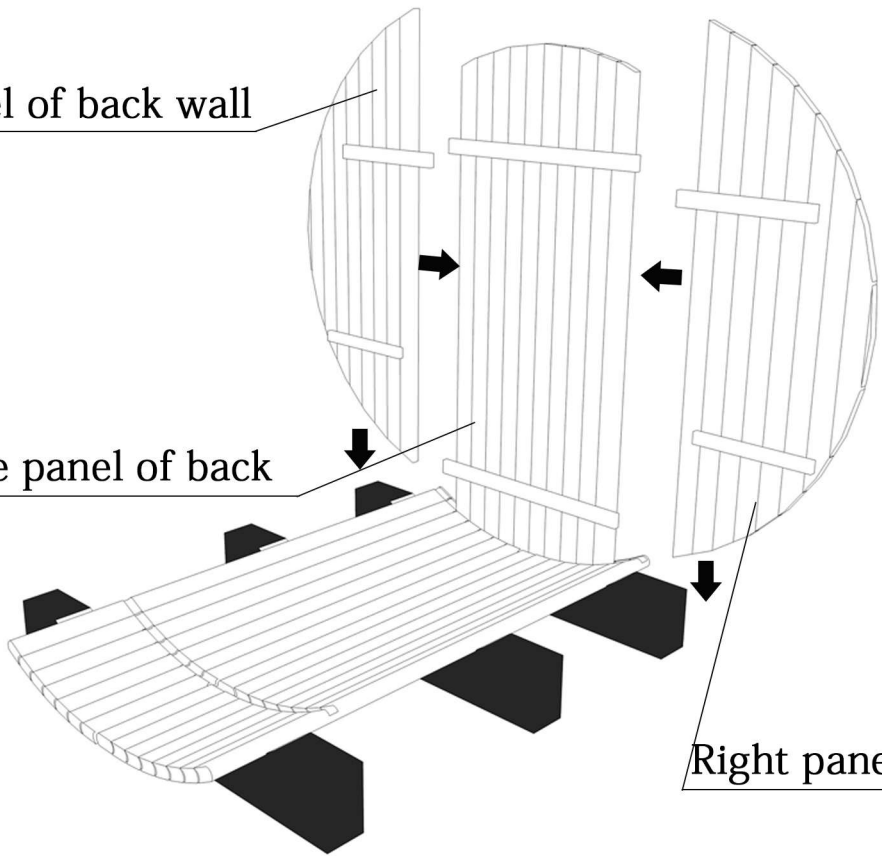


②

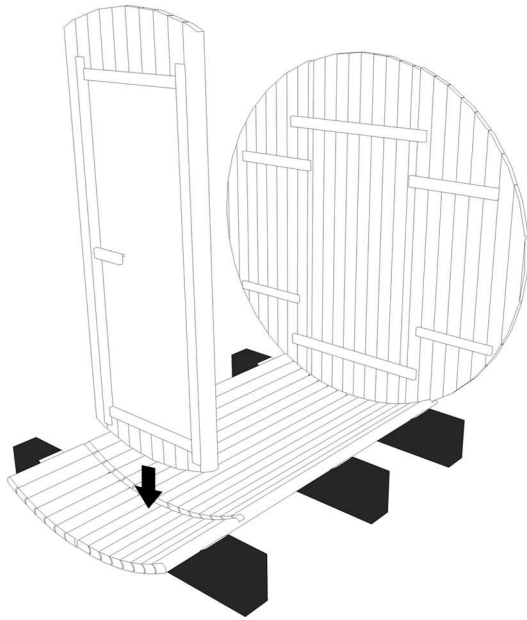
Left panel of back wall

Middle panel of back

Right panel of back wall



③

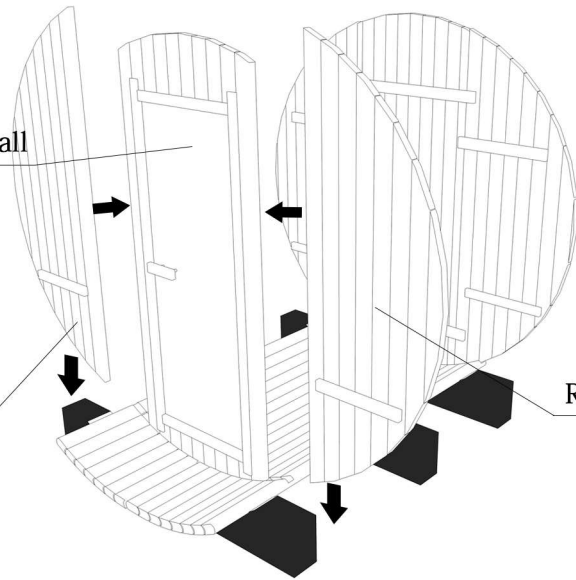


④

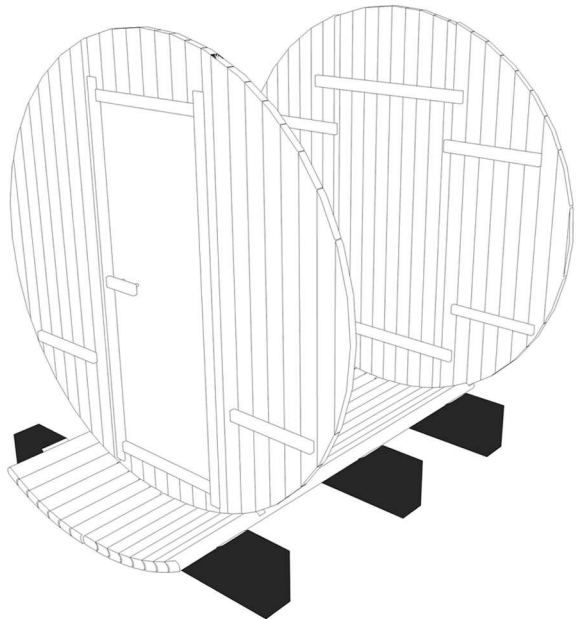
Middle panel of back wall

Left panel of back wall

Right panel of back wall

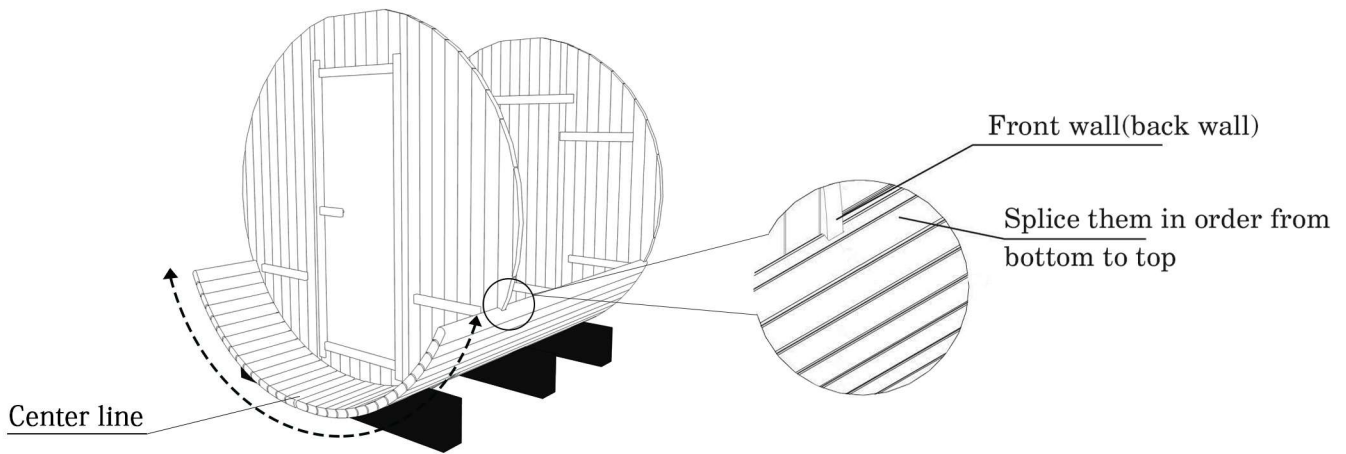


⑤

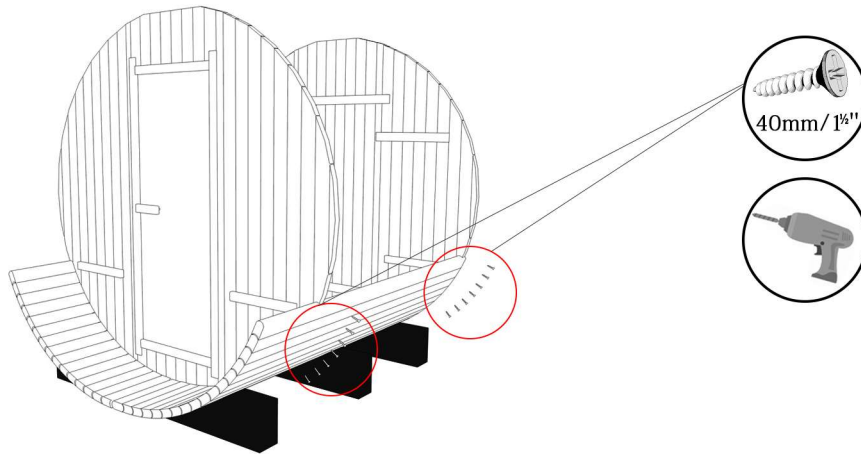


### 3. Stave assembly

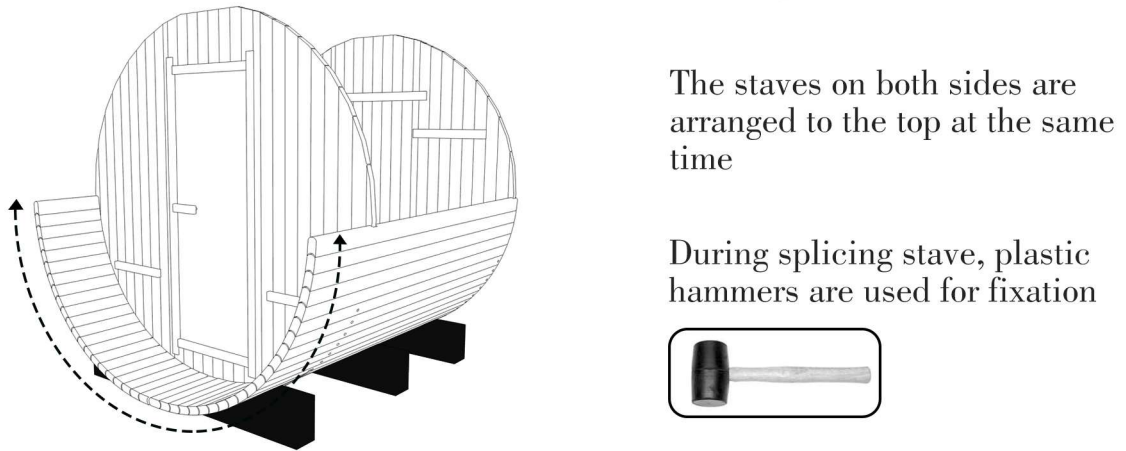
①



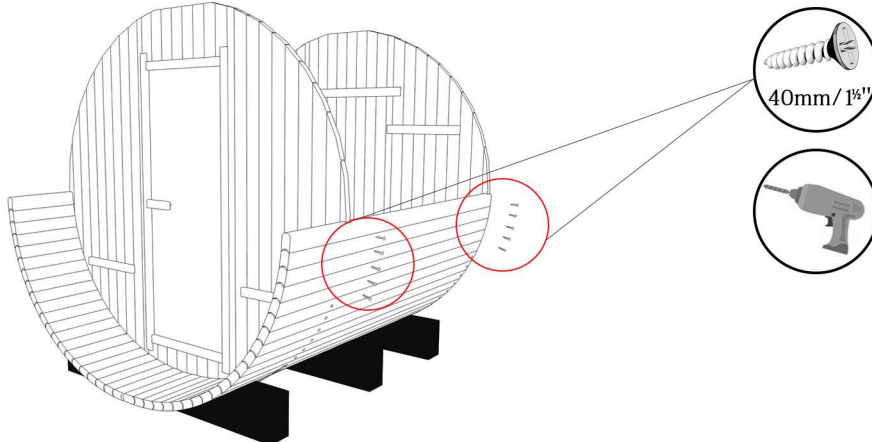
②



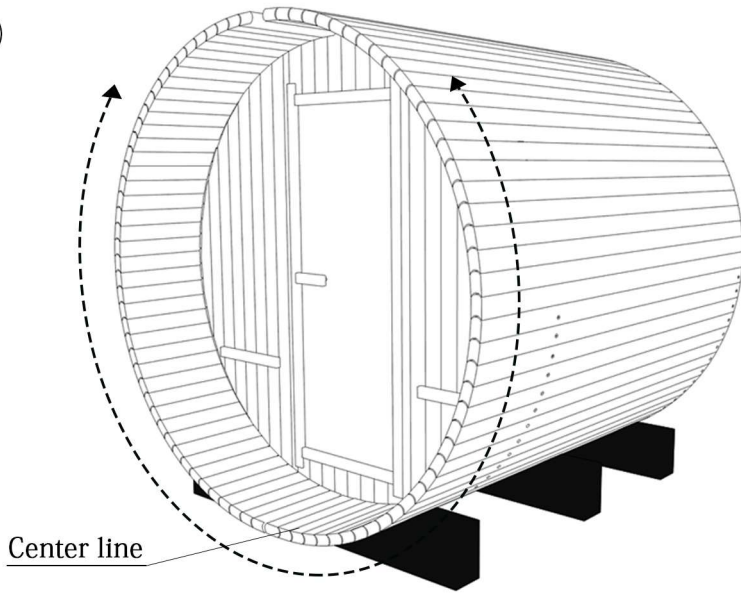
③



④

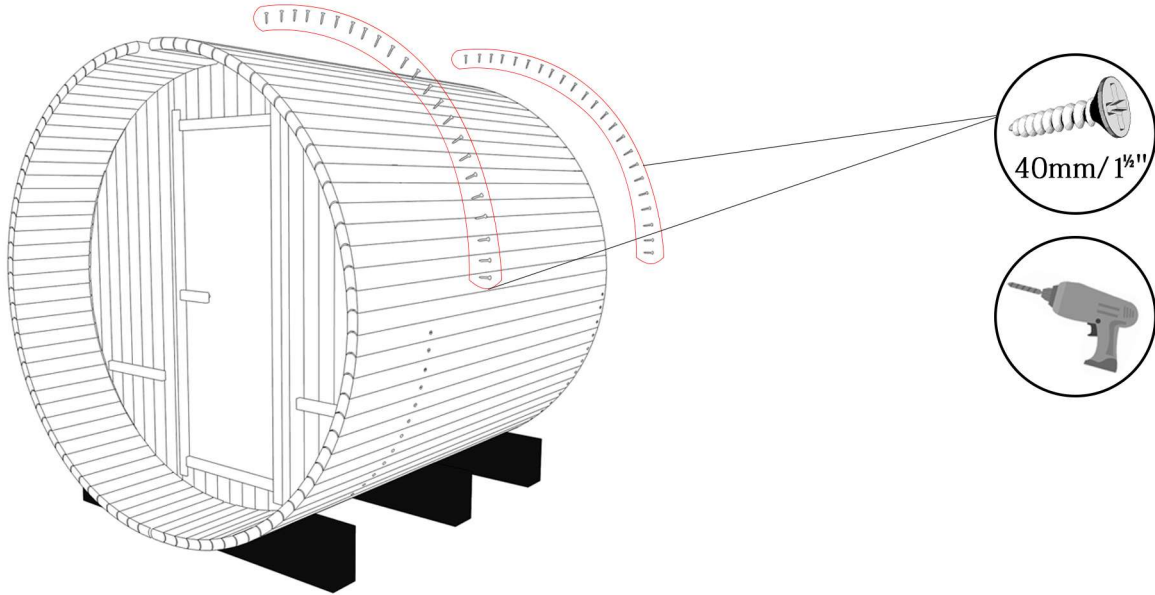


5



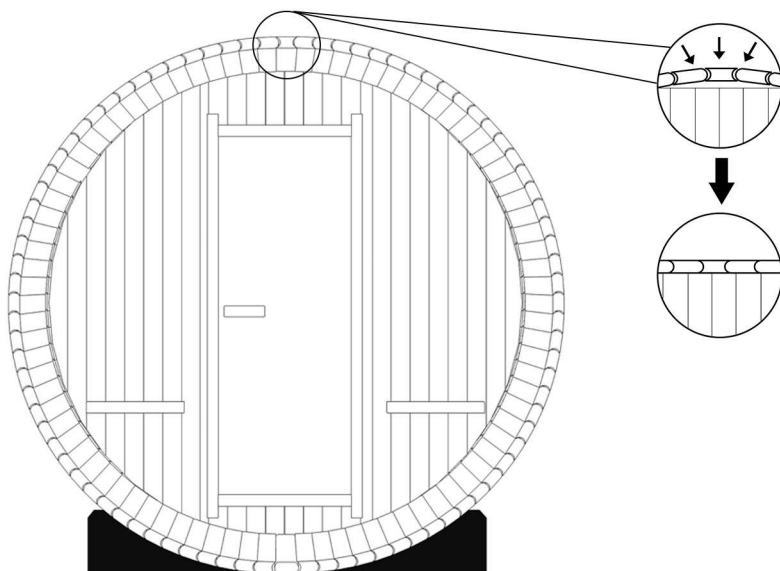
Center line

6



40mm / 1 1/2"

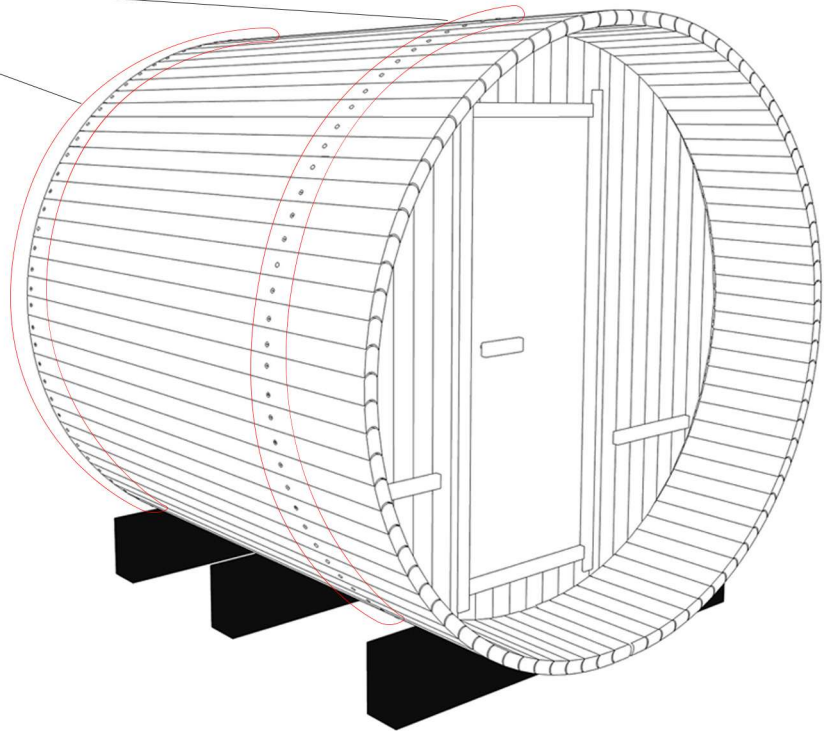
7



**!** Please pay attention to the final board.

The last three staves are fixed in position as shown in the picture, and lightly tapped with a plastic hammer until they are completely anastomos.

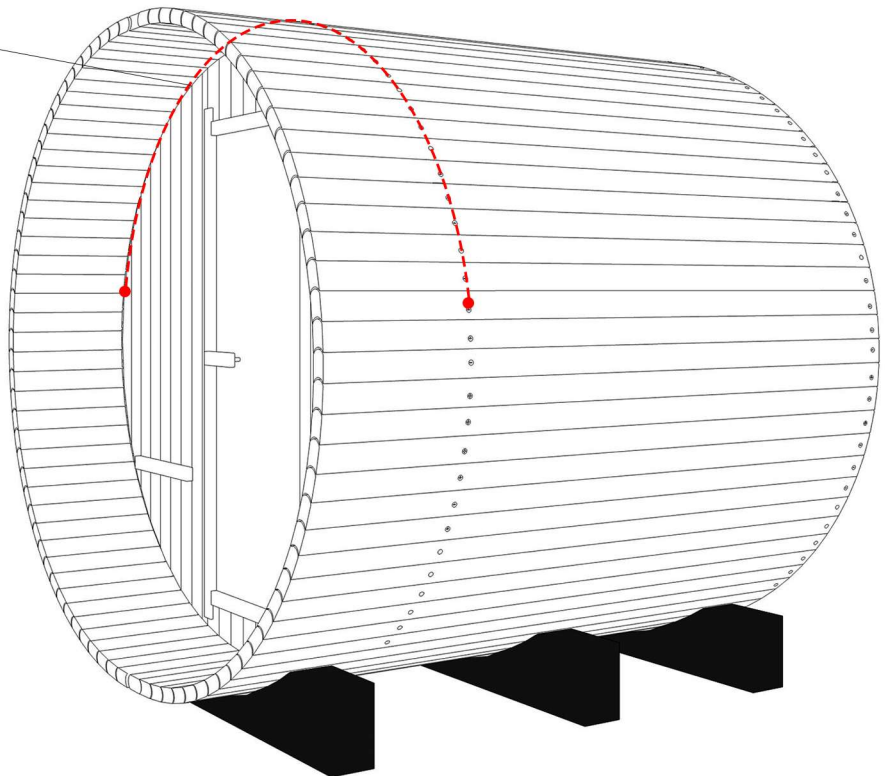
8



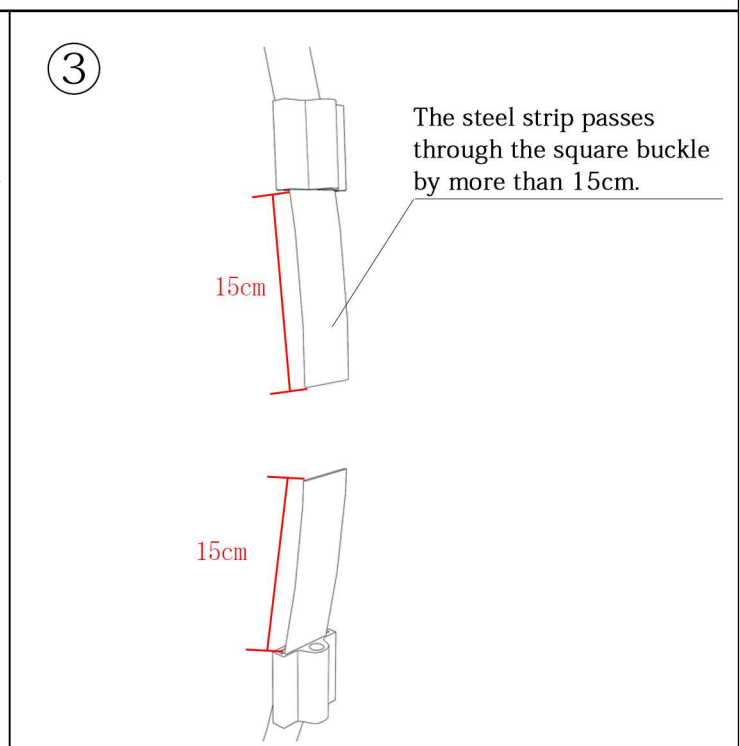
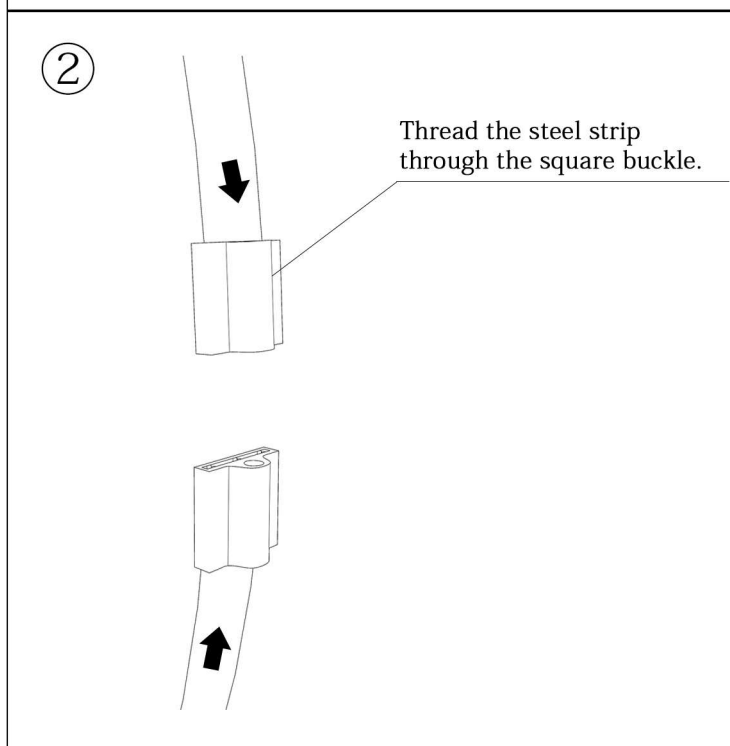
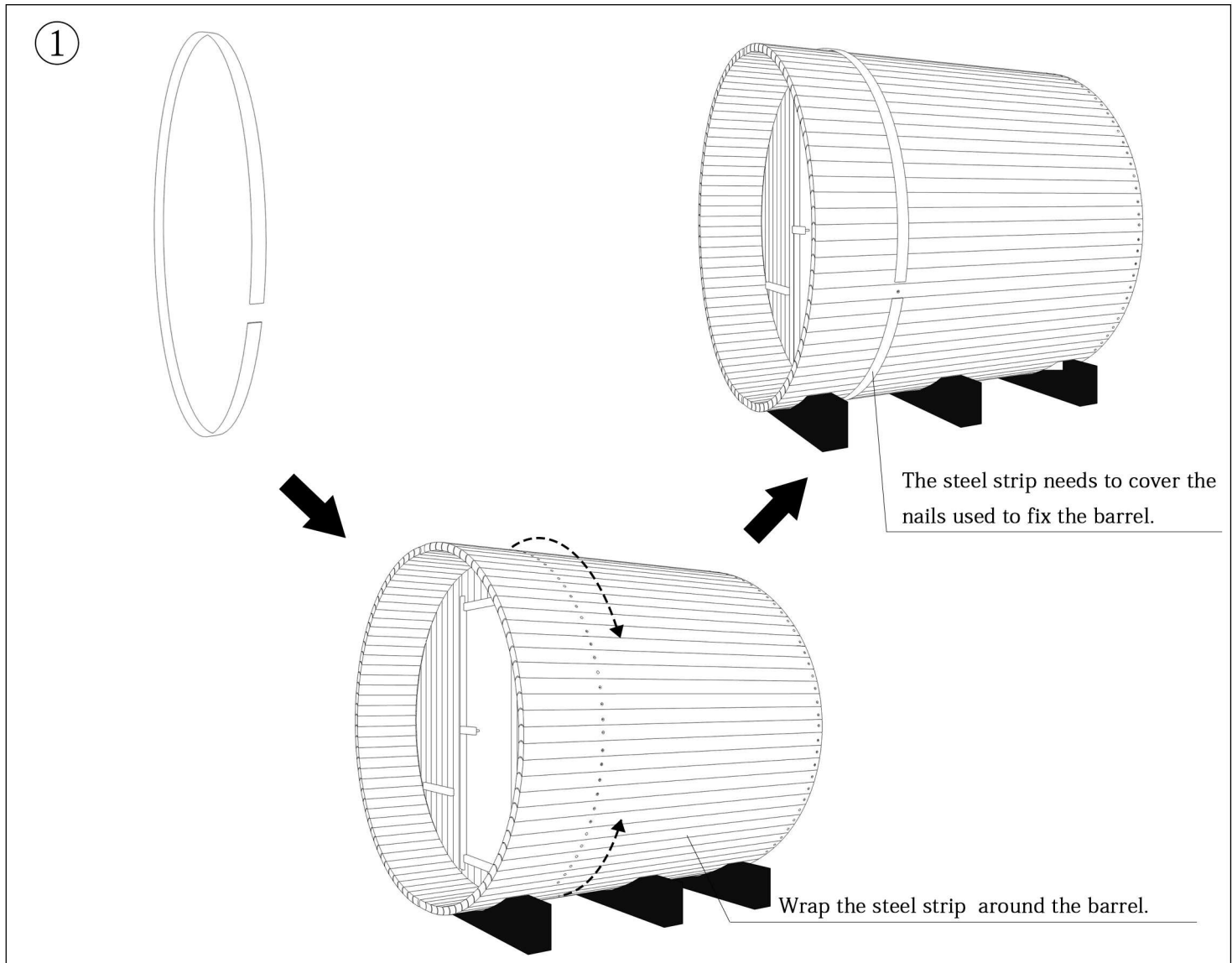
9



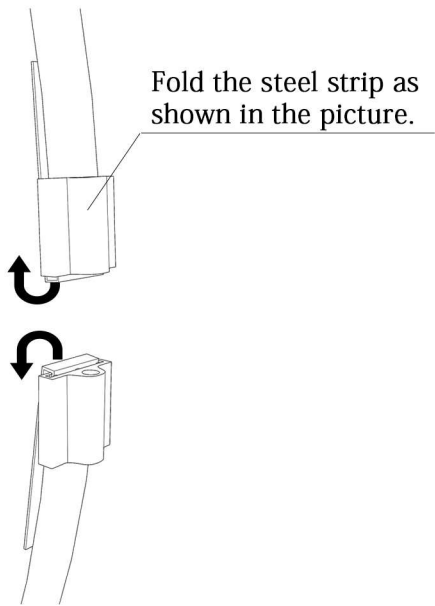
As shown by the dashed line in the figure, Apply glue at the connection between the front panel and the barrel to prevent rainwater.



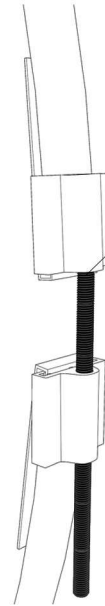
## 4. Steel strip assembly step



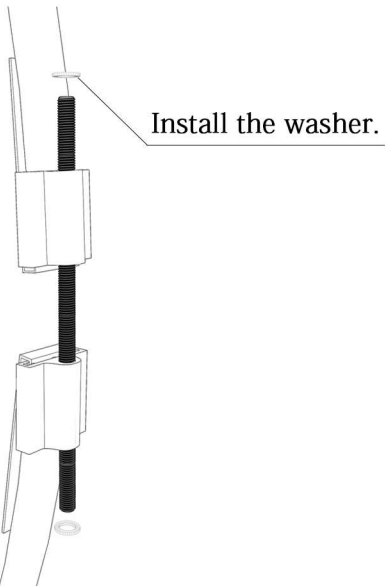
④



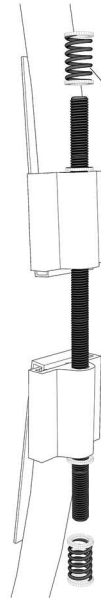
Install the bolts through the circular hole.



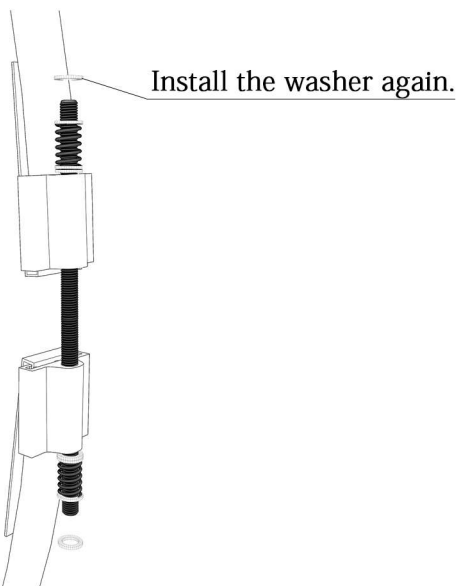
⑤



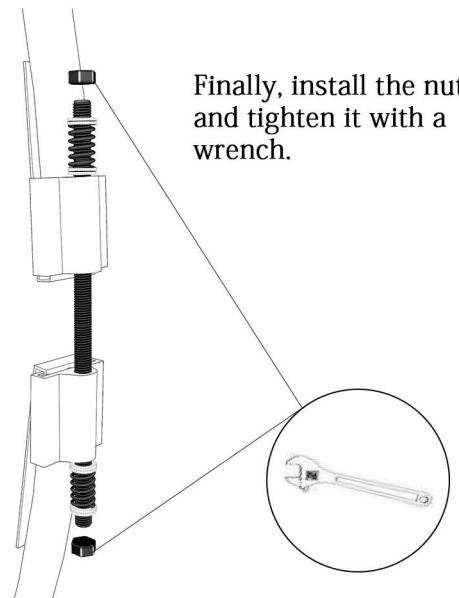
Install the spring.



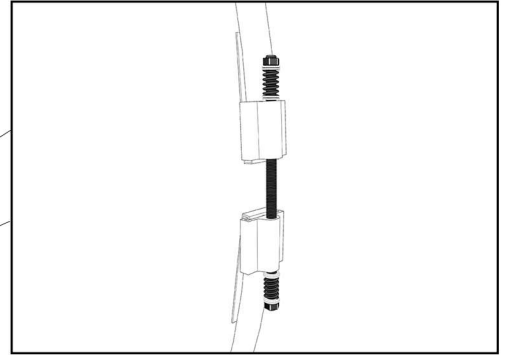
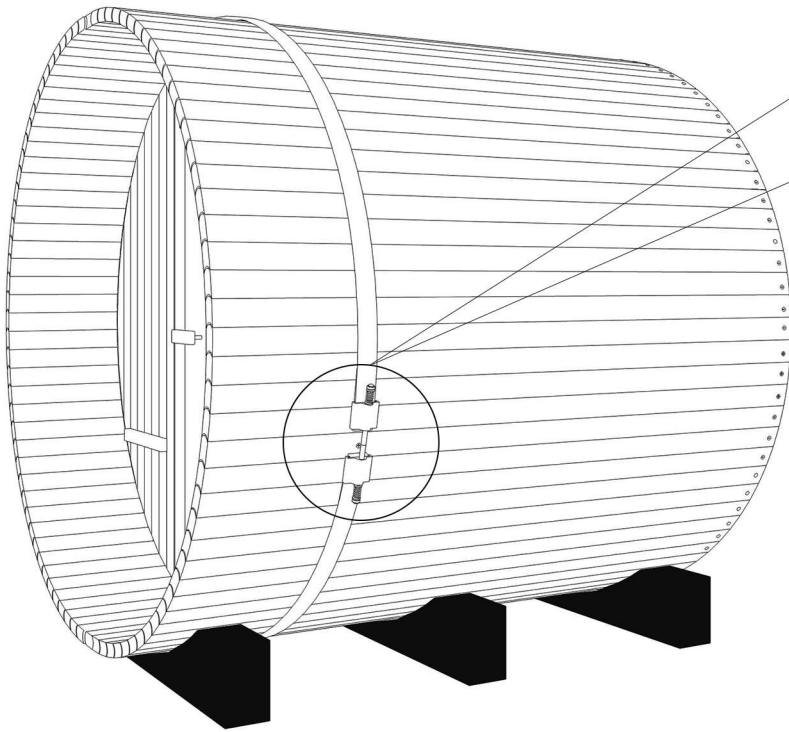
⑥



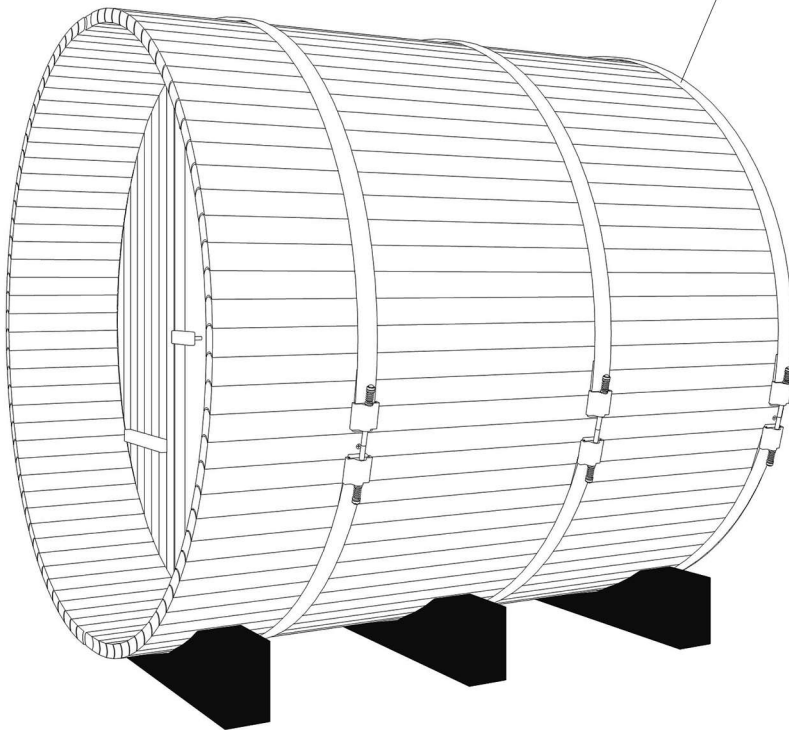
Finally, install the nut and tighten it with a wrench.



7

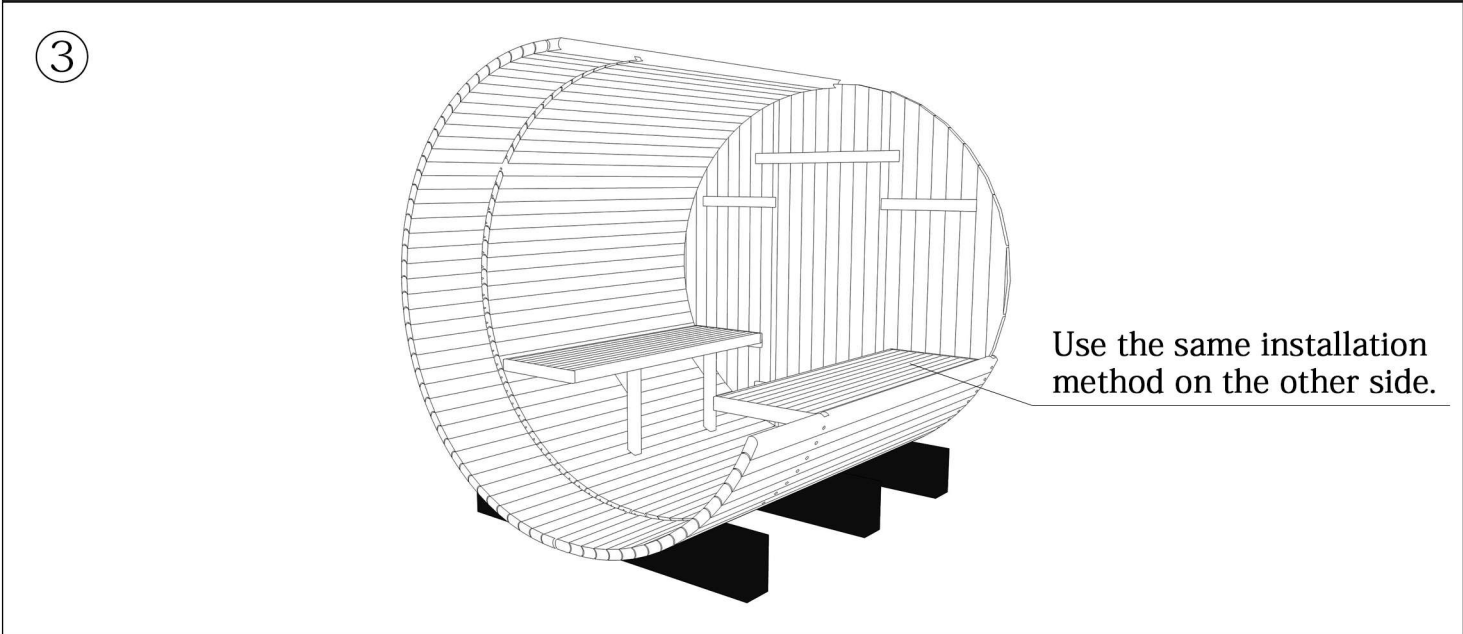
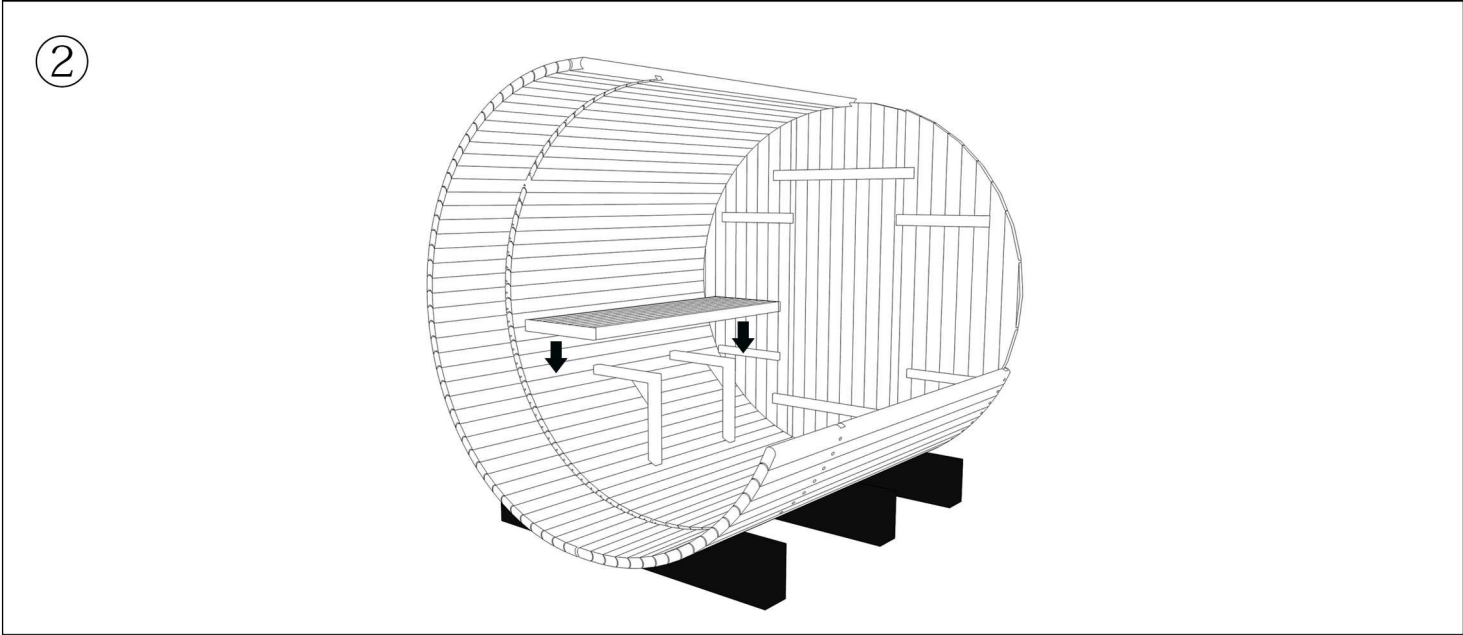
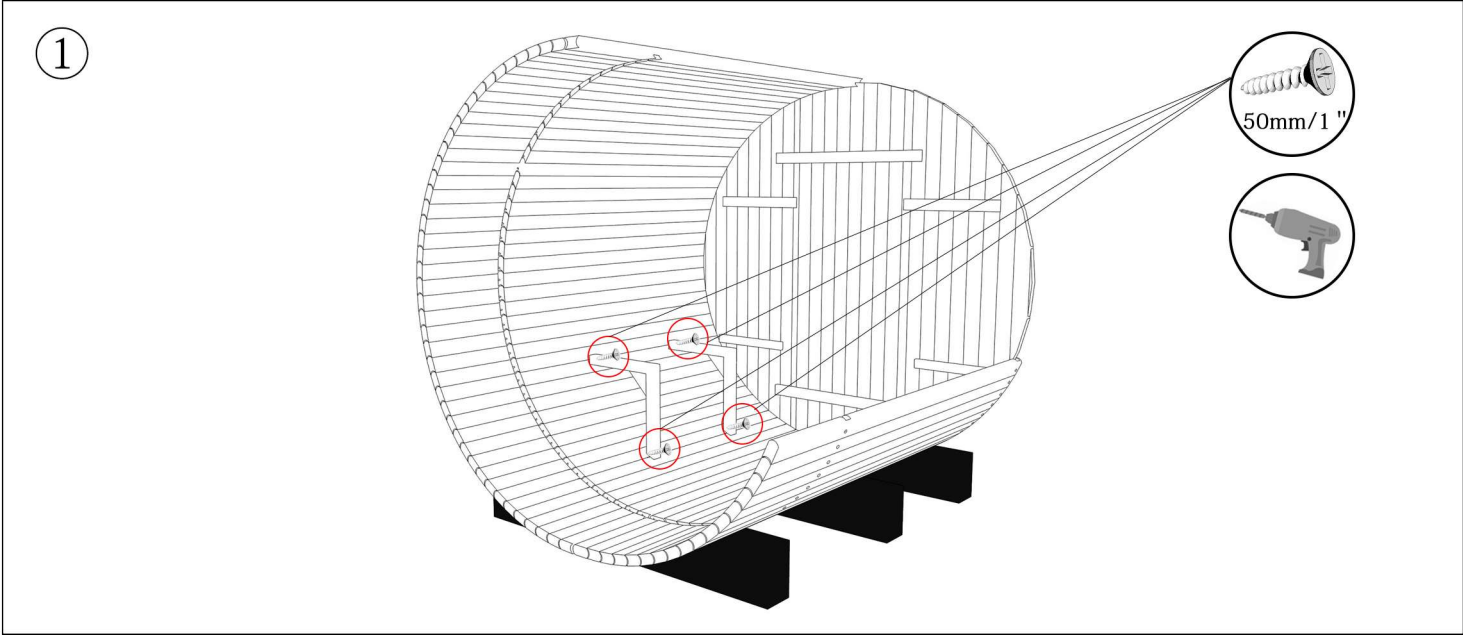


8



Install the other one using the same method.

# 5. Bench assembly

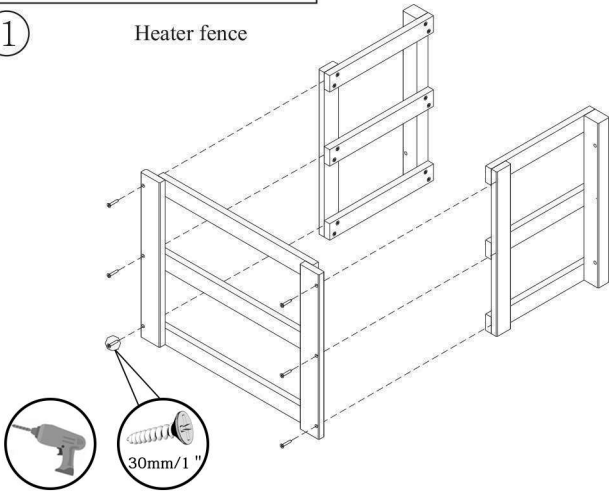


## 6.Sauna stove and lamp assembly(Lamp is optional)

### Sauna heater fence

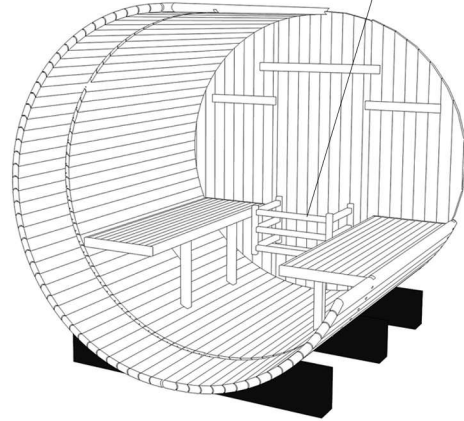
①

Heater fence



②

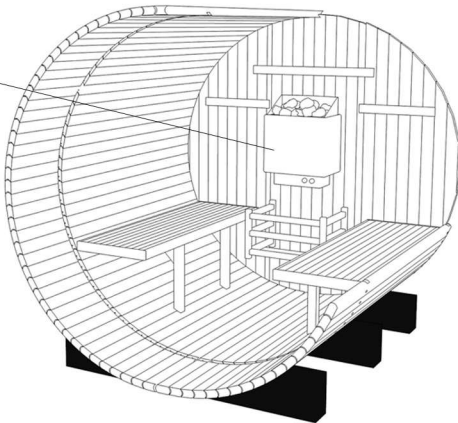
Sauna heater fence



! Please refer to heater instructions for installation the heater.

③

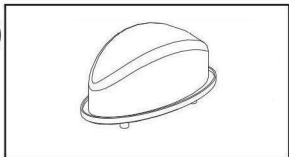
Sauna heater



! Please refer to heater instructions for installation the heater fence.

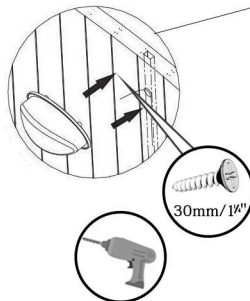
### Sauna lamp assembly(Lamp is optional)

④

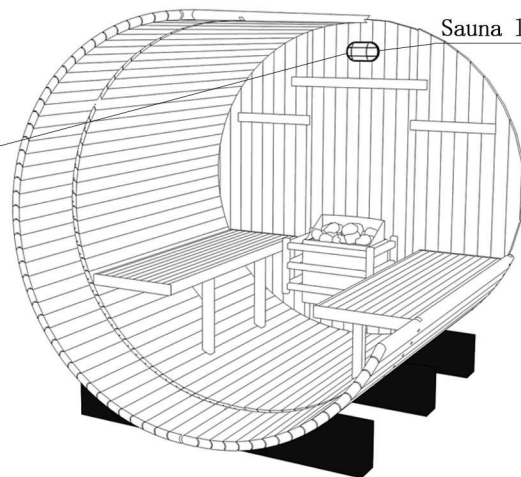


4-1:Accessories of lamp

4-2:Lamp assembly



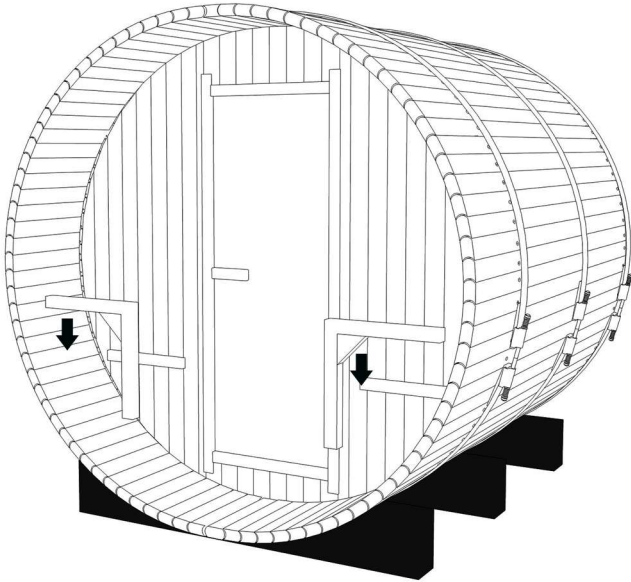
Sauna light



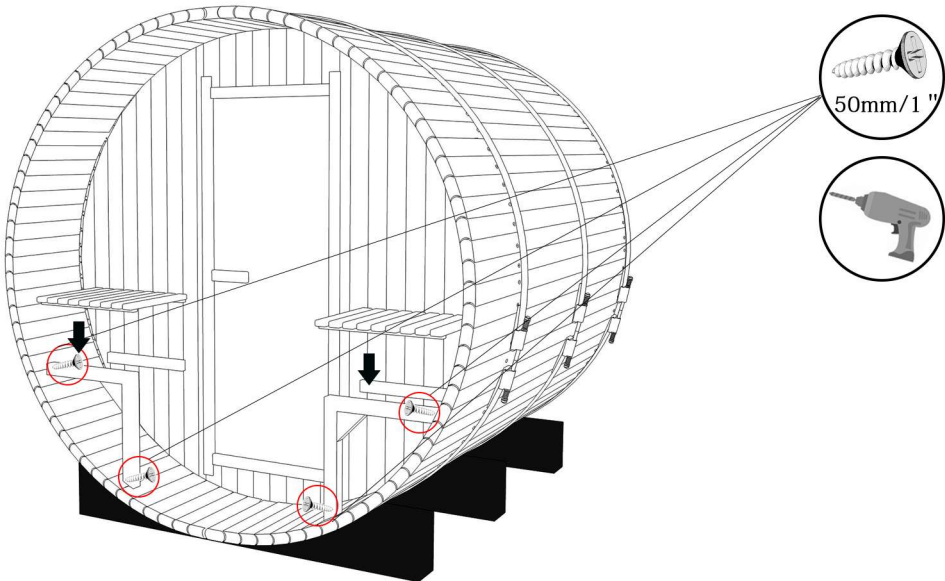
Note: Make hole in the wall by yourself,then wire out from the hole

# 7.Porch bench assembly

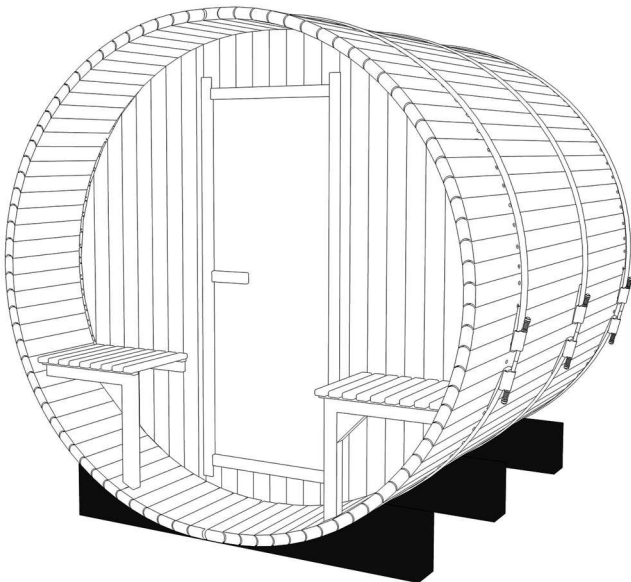
①



②

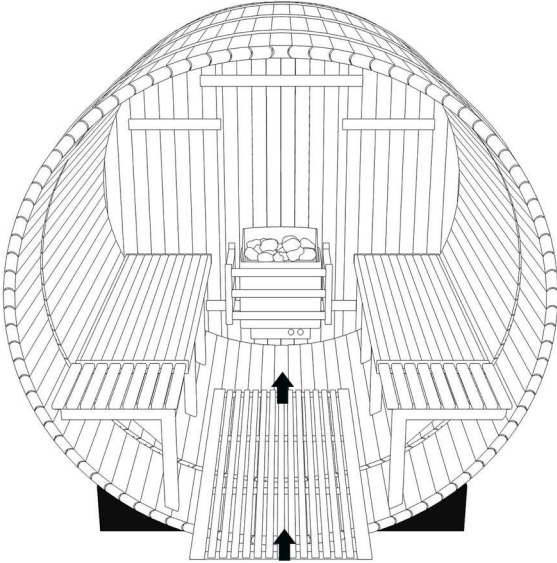


③

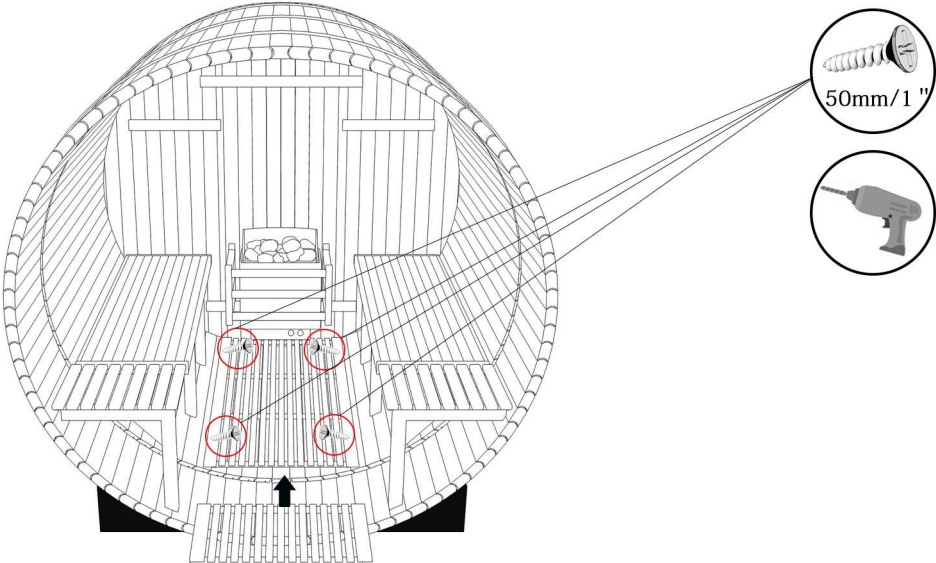


# 8. Floor assembly

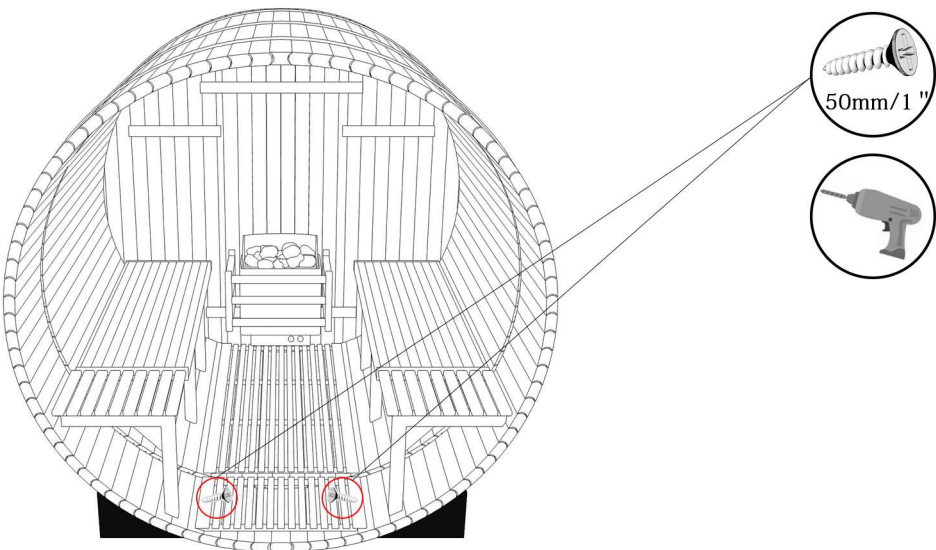
①



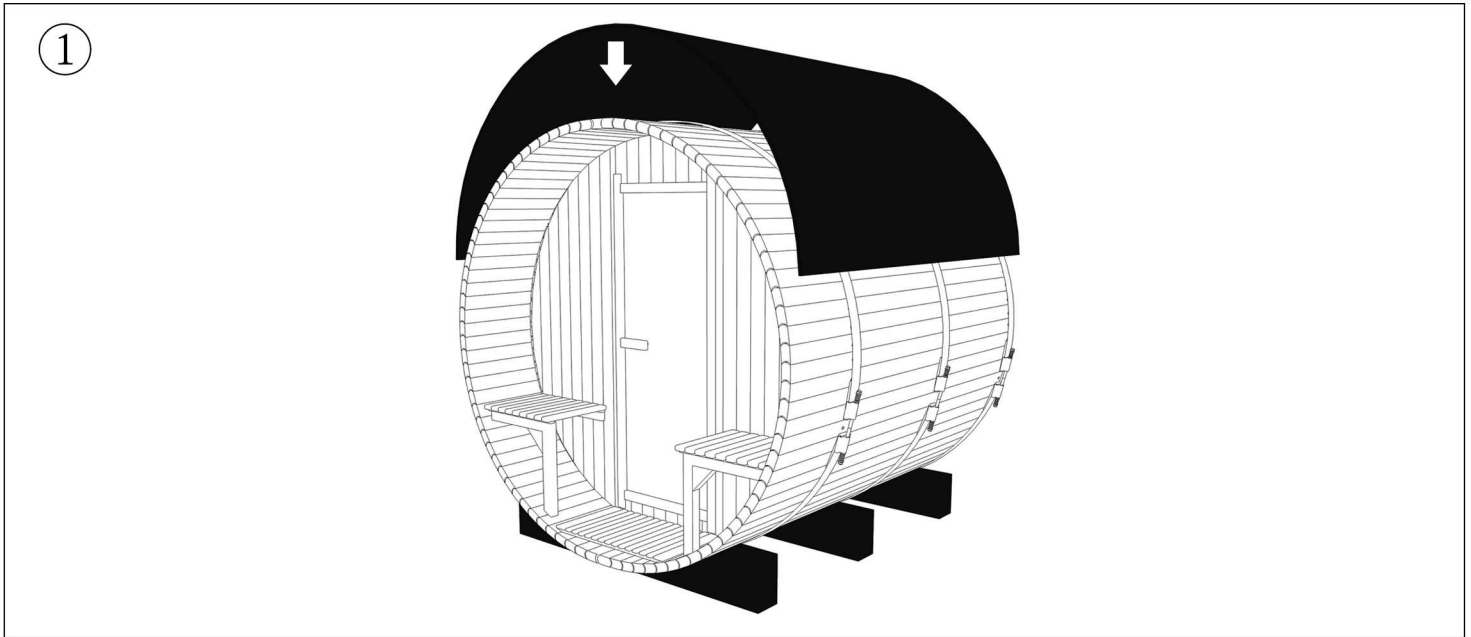
②



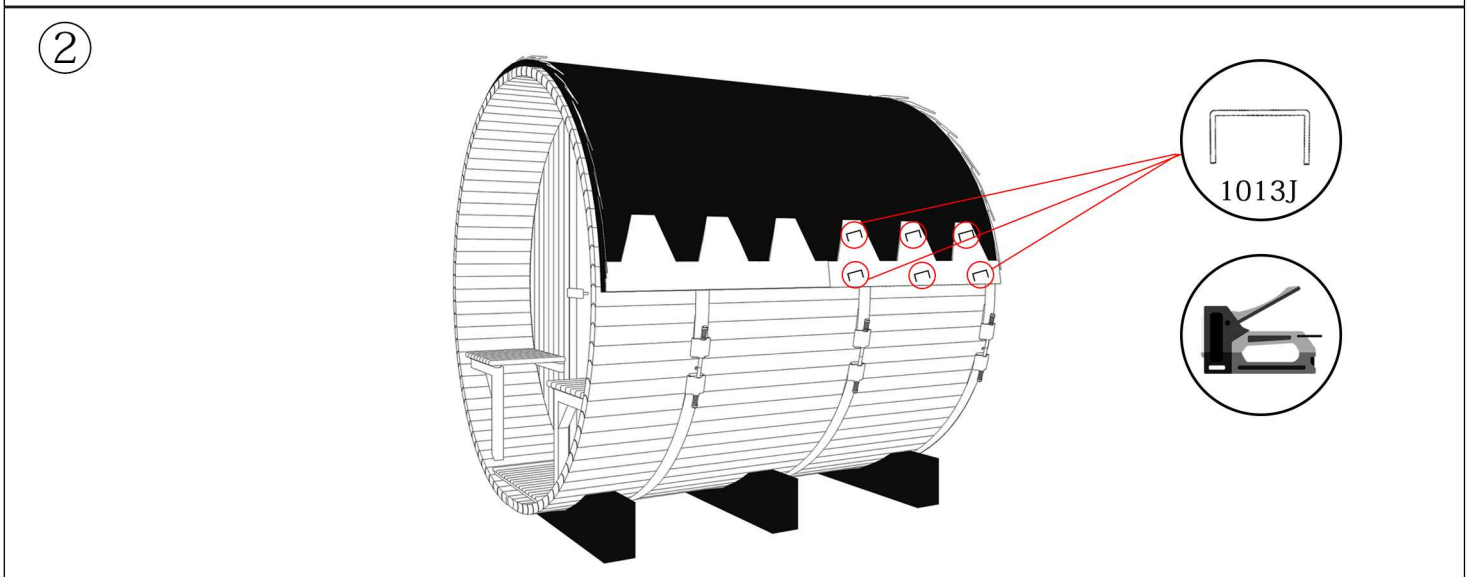
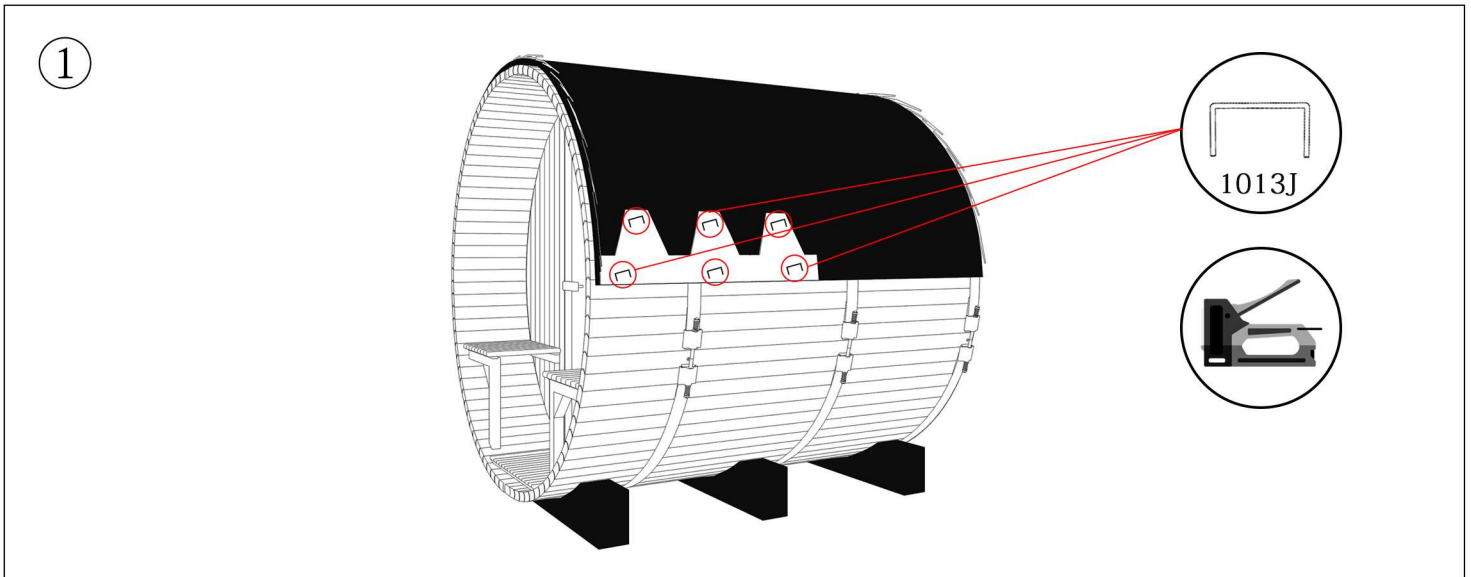
③



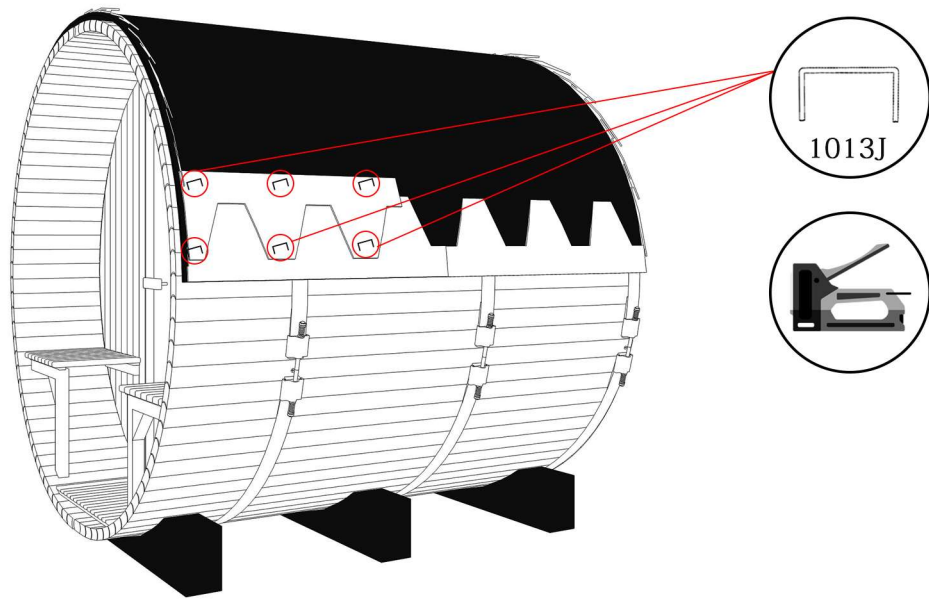
## 9. Waterproof membrane assembly



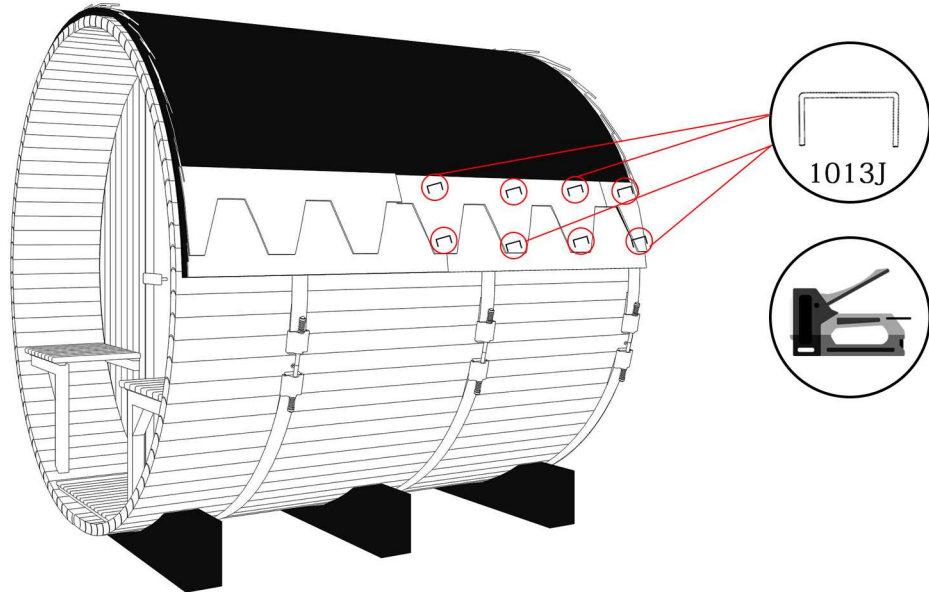
## 10. Shingle assembly



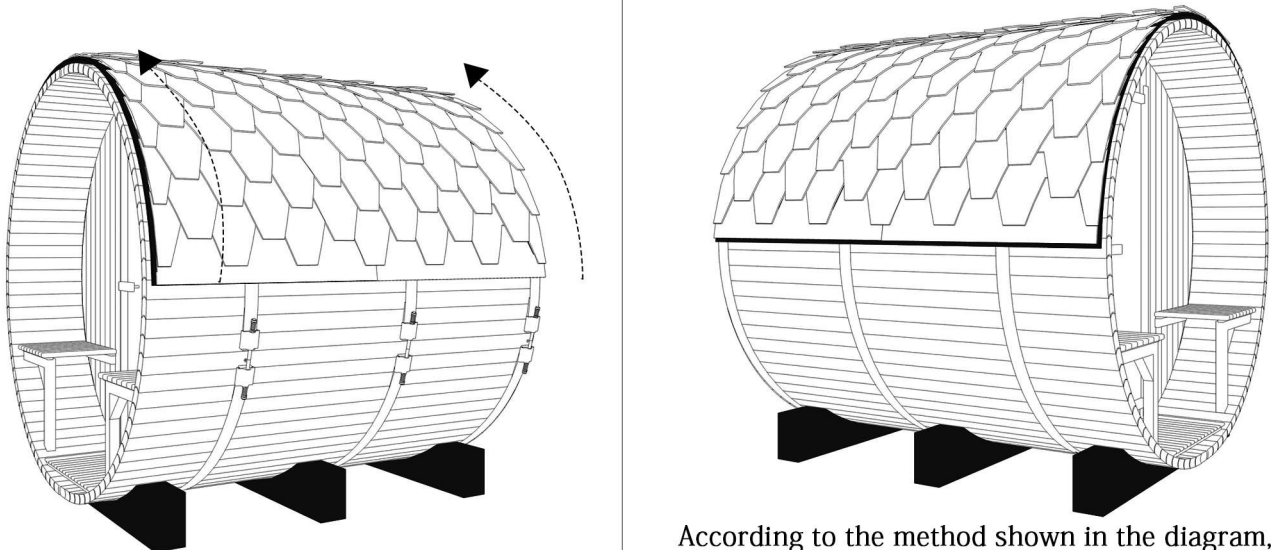
③



④



⑤



According to the method shown in the diagram, lay it upwards in sequence.

# 11. Lintel assembly

