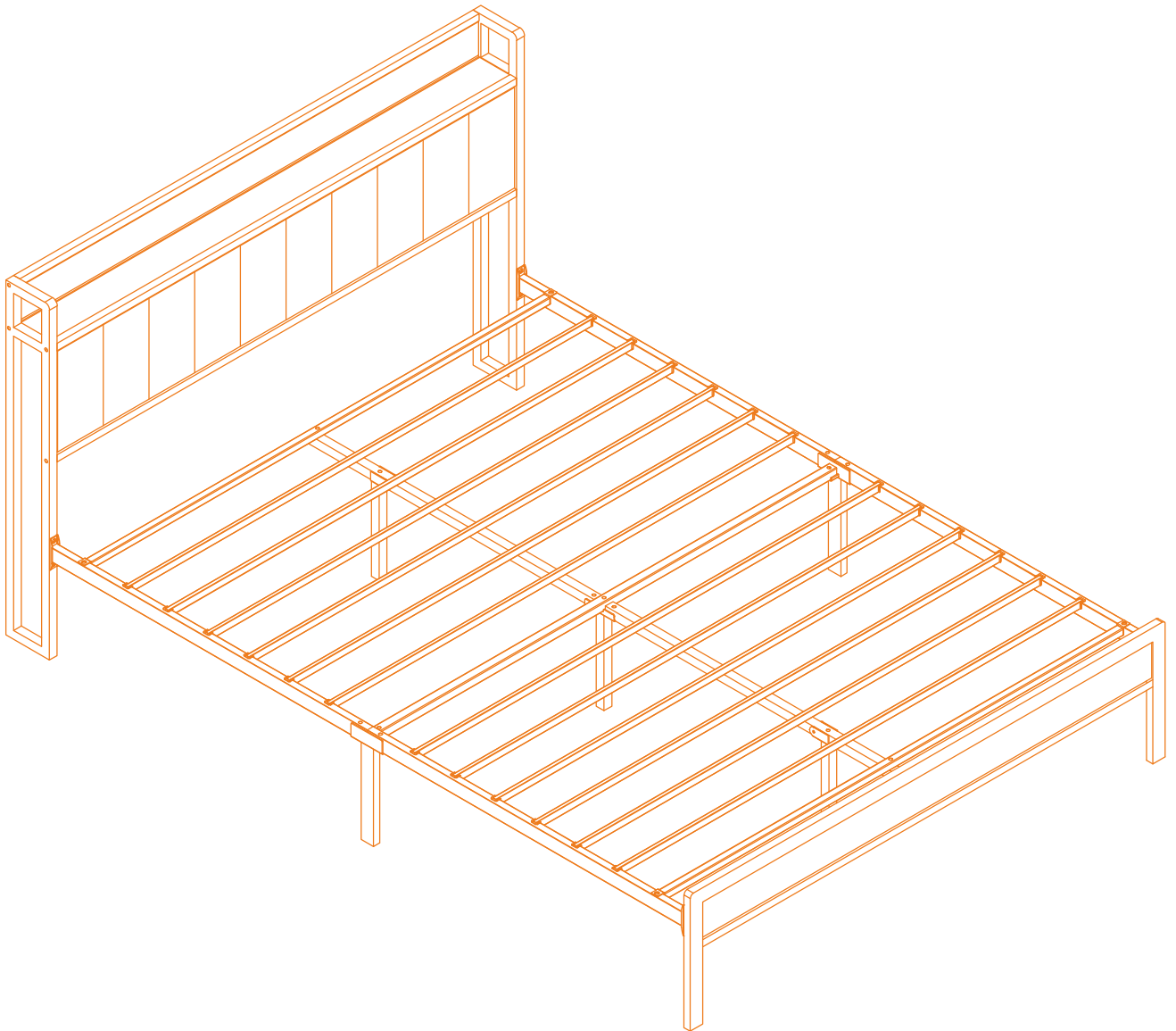
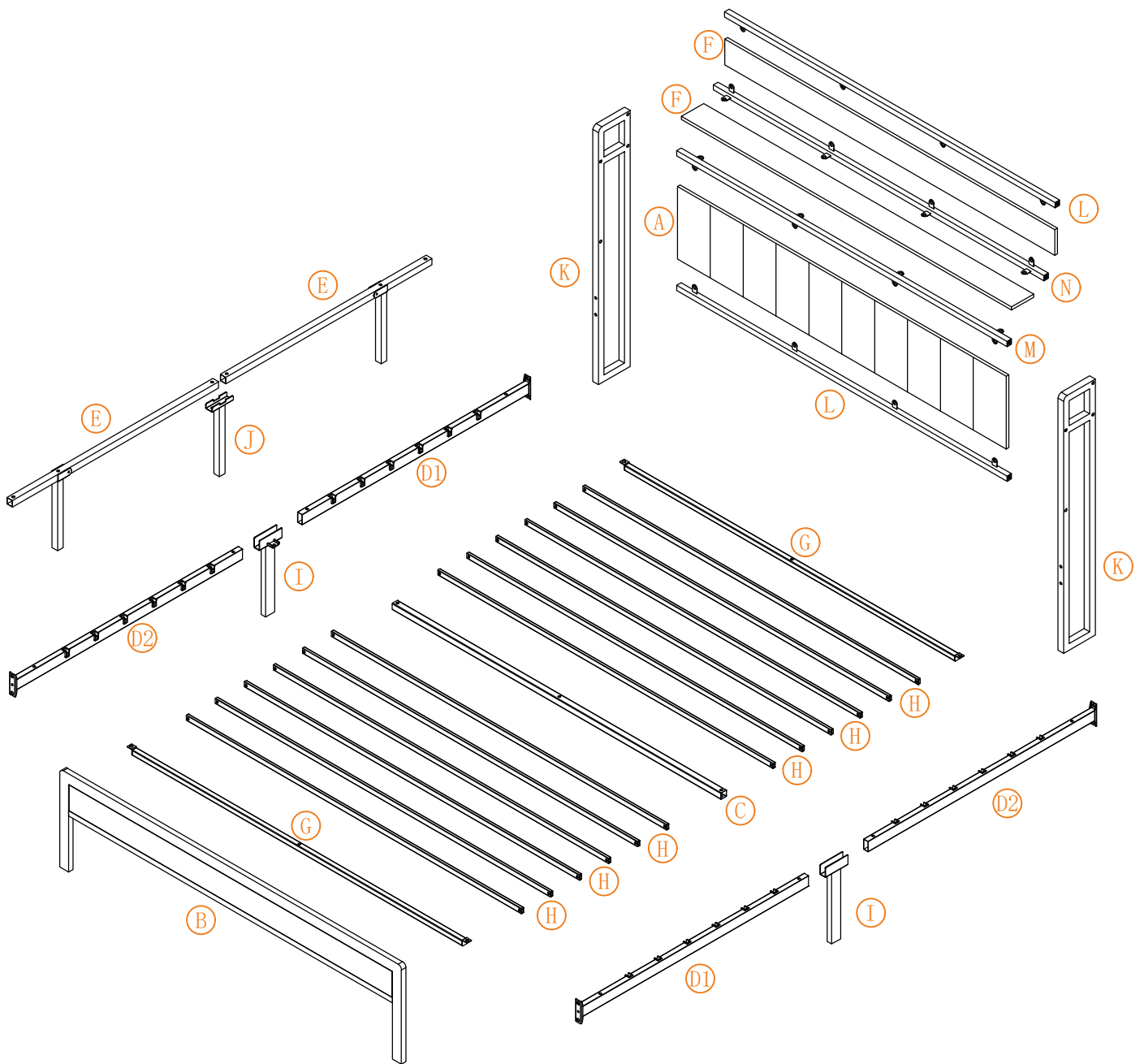




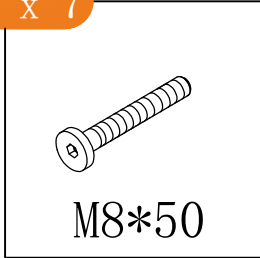
X 2

## Queen Metal Bed Frame

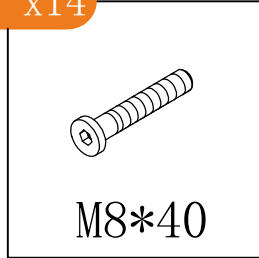




O x 7



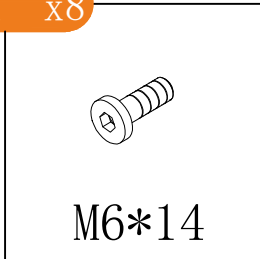
P x14



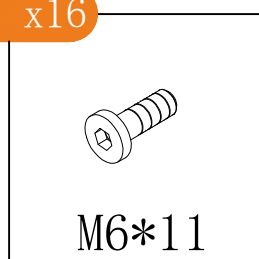
Q x12



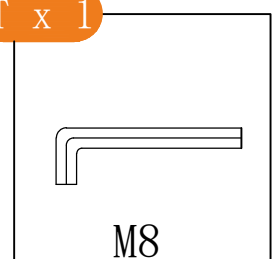
R x8



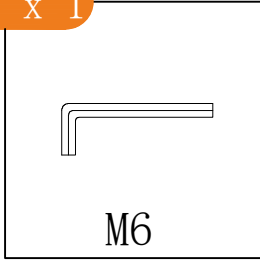
S x16



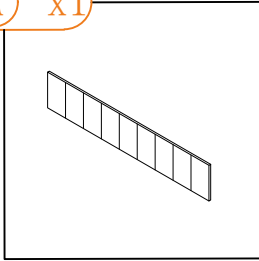
T x 1



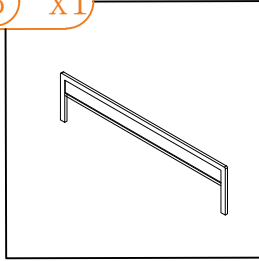
U x 1



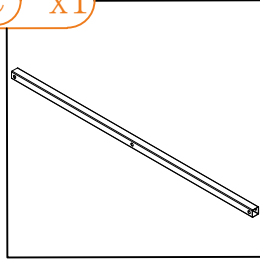
A x1



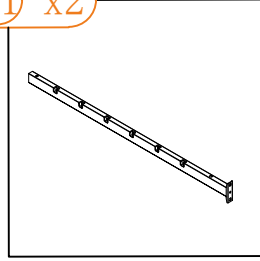
B x1



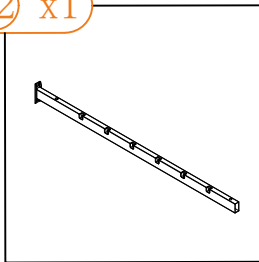
C x1



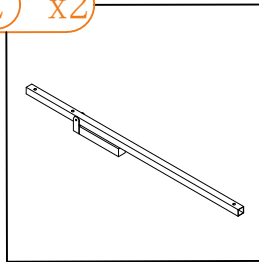
D1 x2



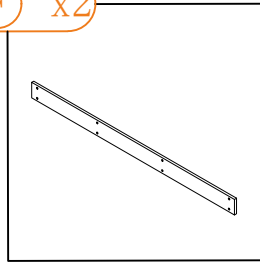
D2 x1



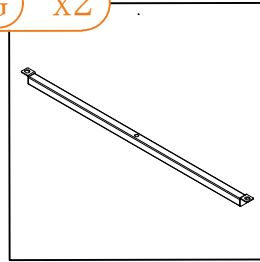
E x2



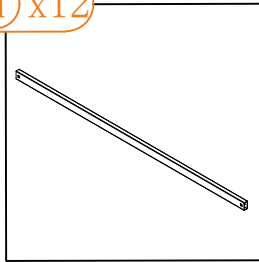
F x2



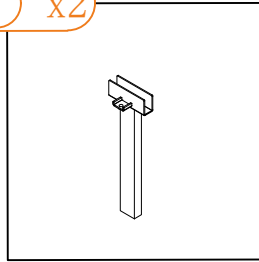
G x2



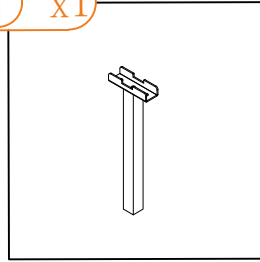
H x12



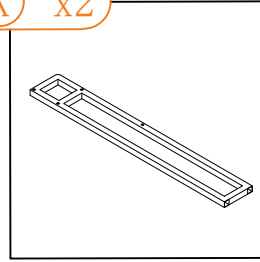
I x2



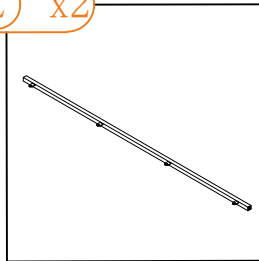
J x1



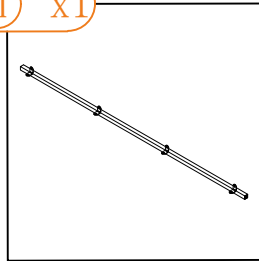
K x2



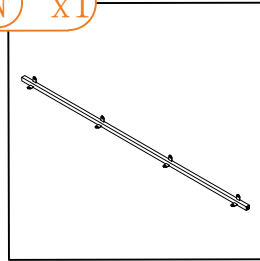
L x2



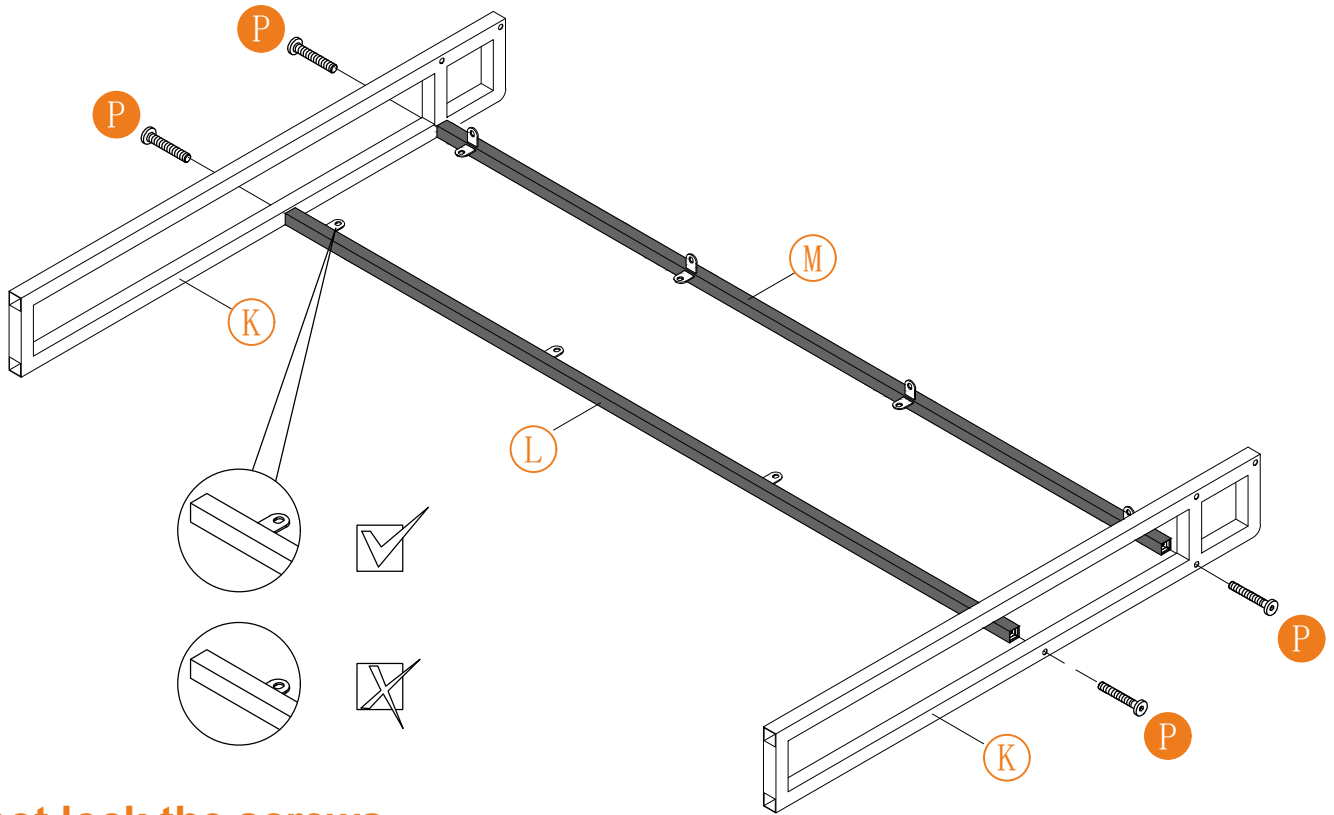
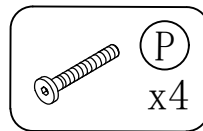
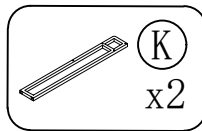
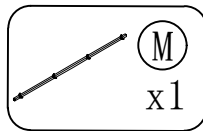
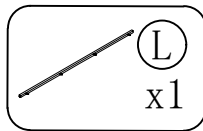
M x1



N x1

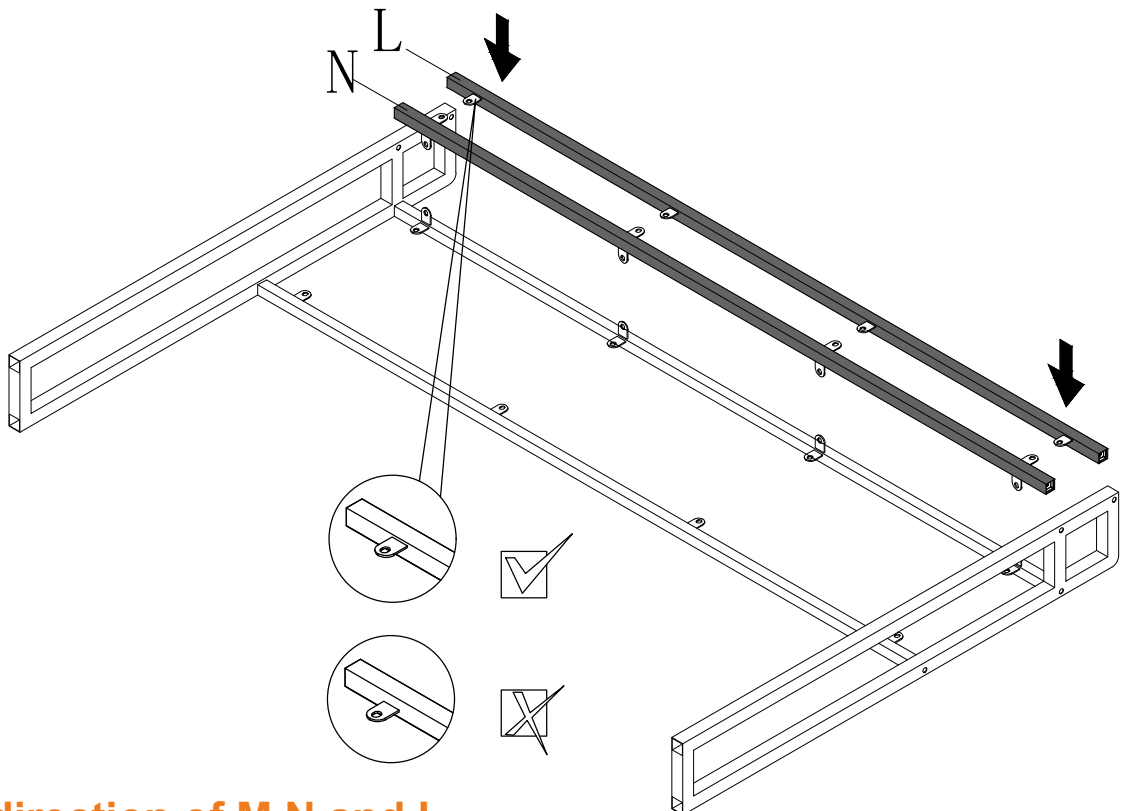
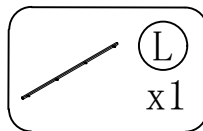
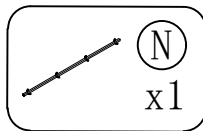


1



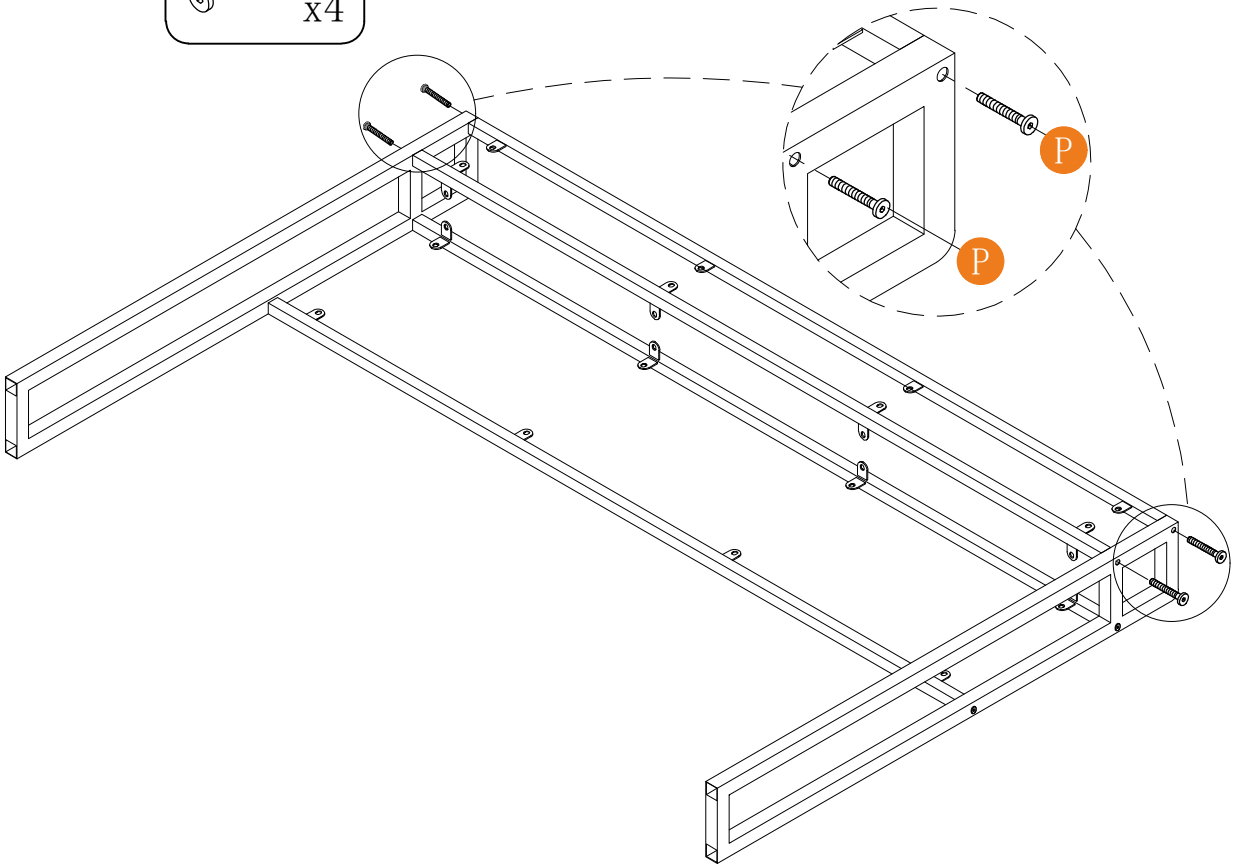
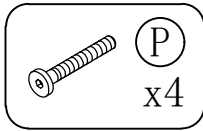
Do not lock the screws

2



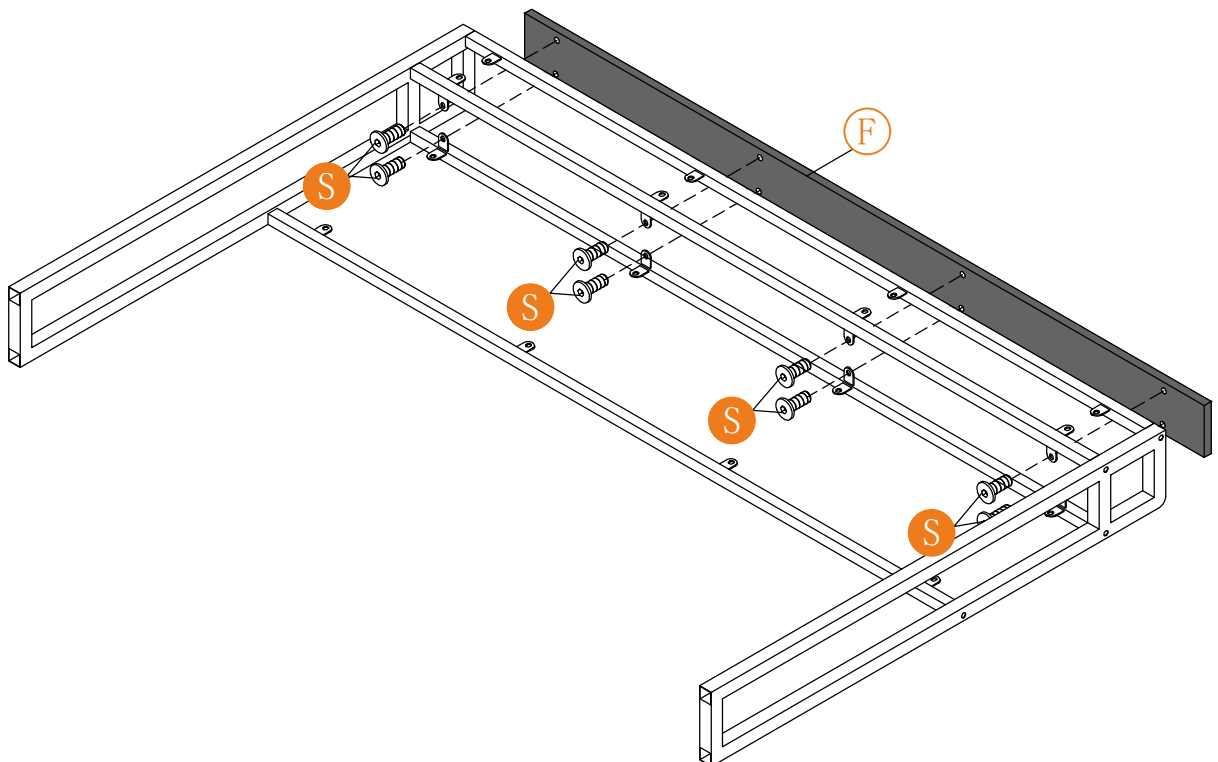
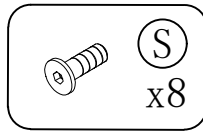
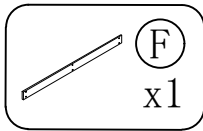
Notice the direction of M,N and L.

3



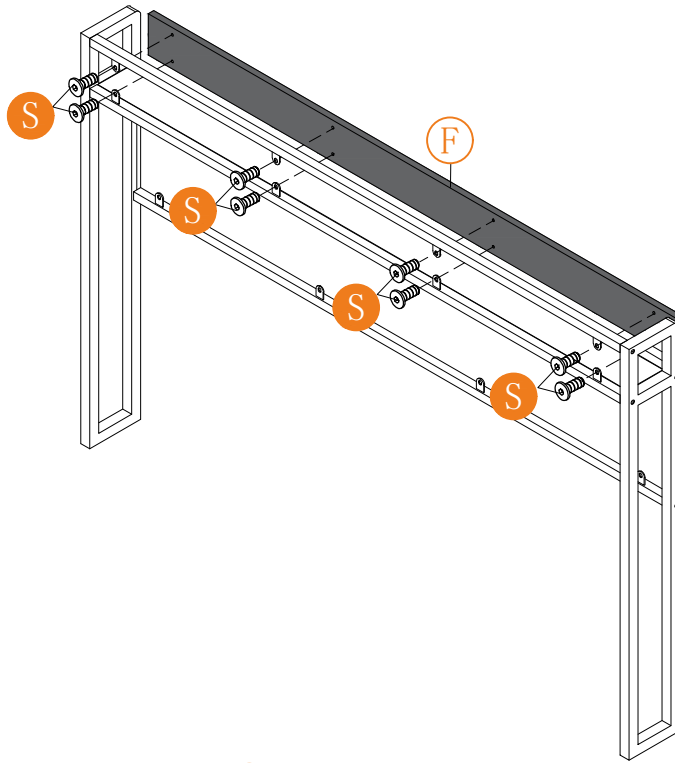
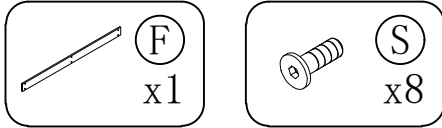
Lock all screws

4



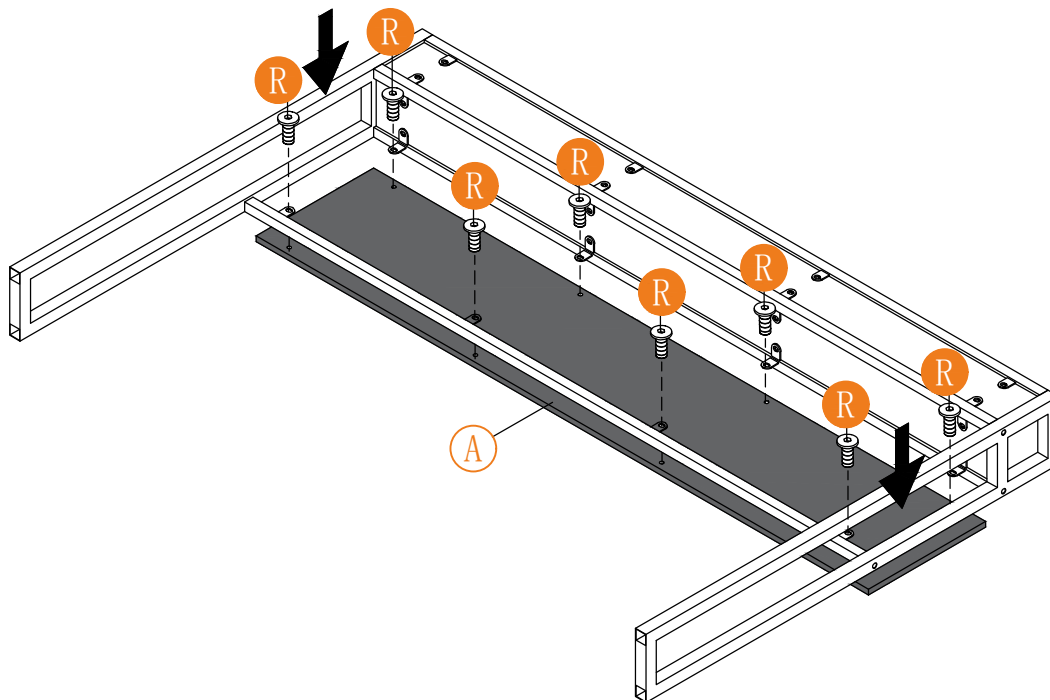
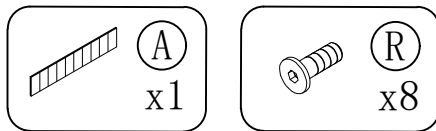
Note: Please make sure you use "S" screws (M6\*11)

5



Note: Please make sure you use "S" screws (M6\*11)

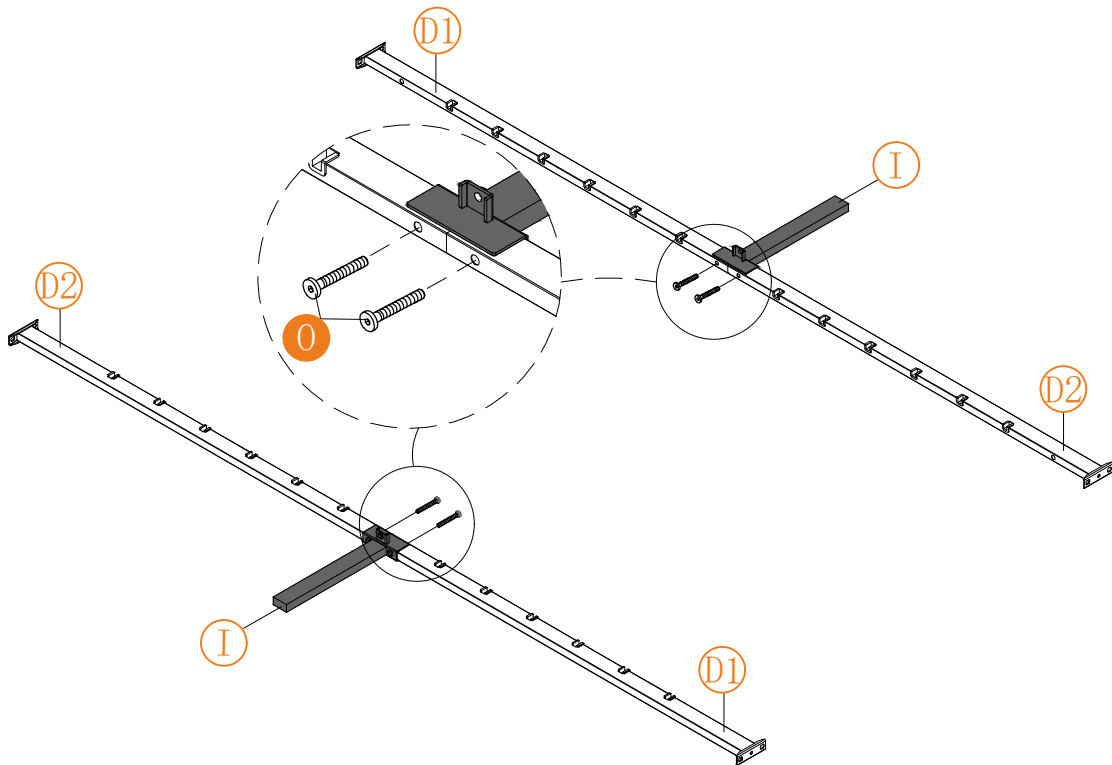
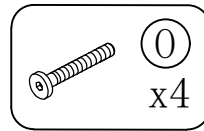
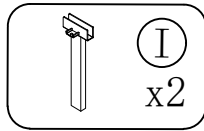
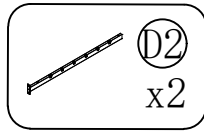
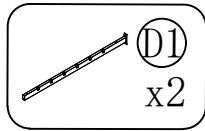
6



Note: Please make sure you use "R" screws (M6\*14)

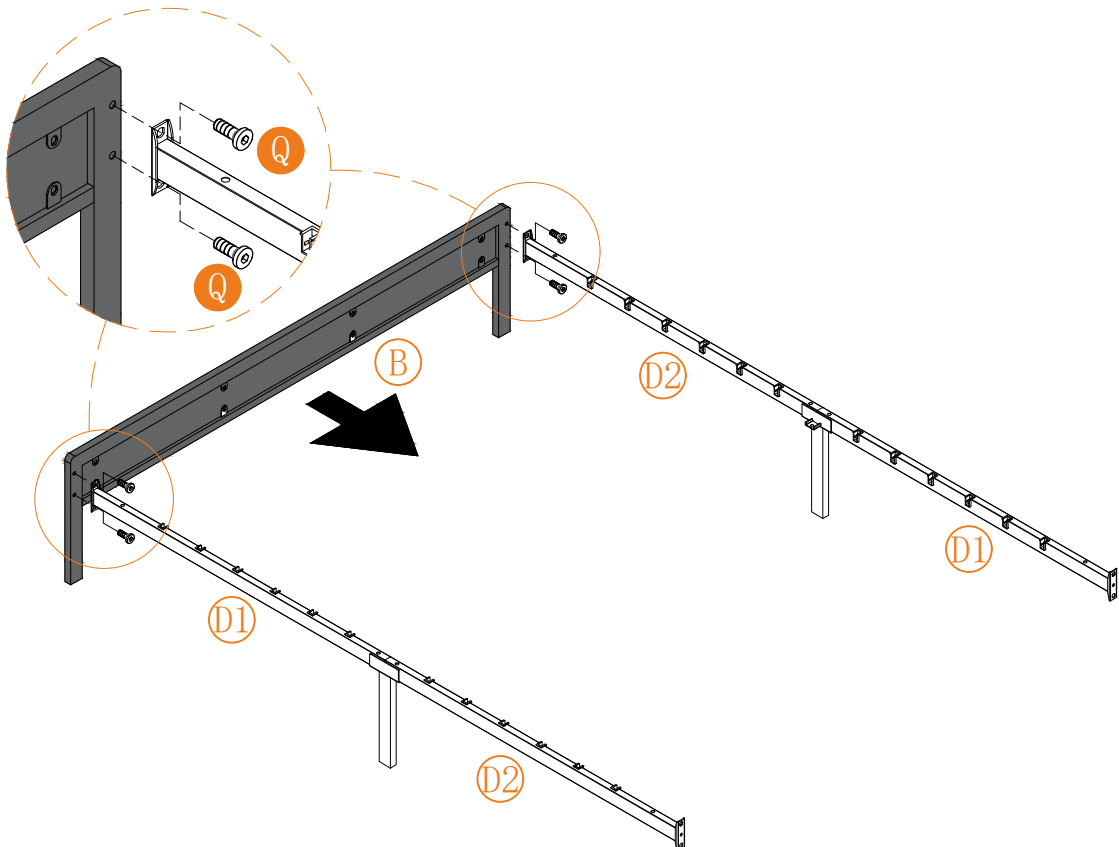
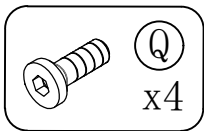
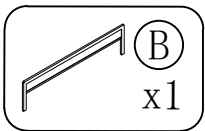
Congratulations, finished the headboard assembly!

7

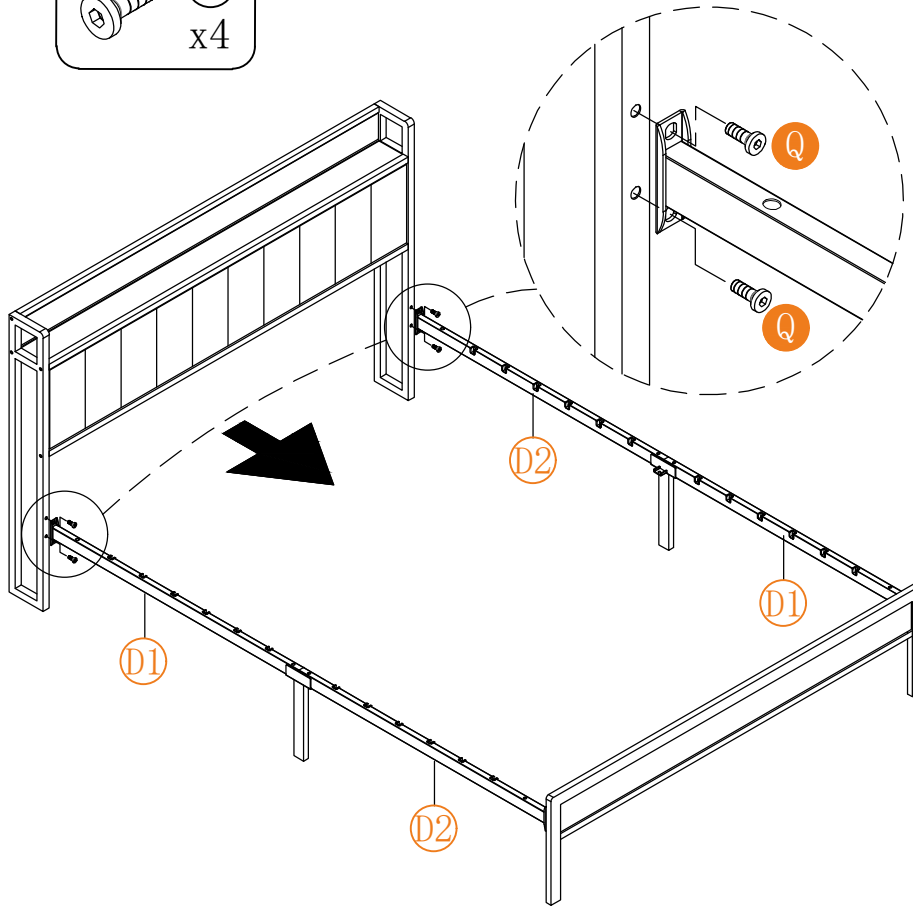
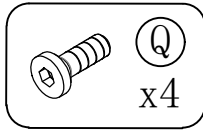


Note: Please make sure the side with the hole is facing inward.

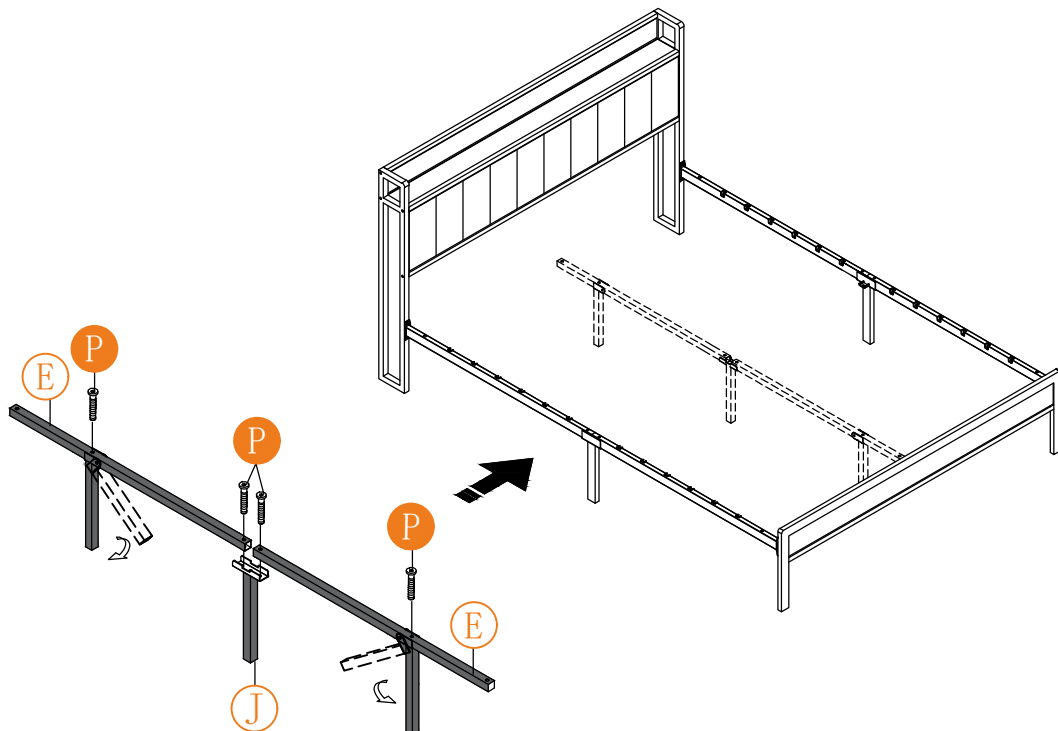
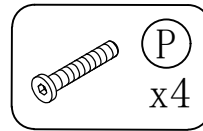
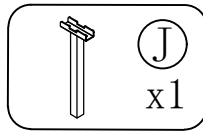
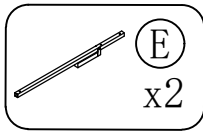
8



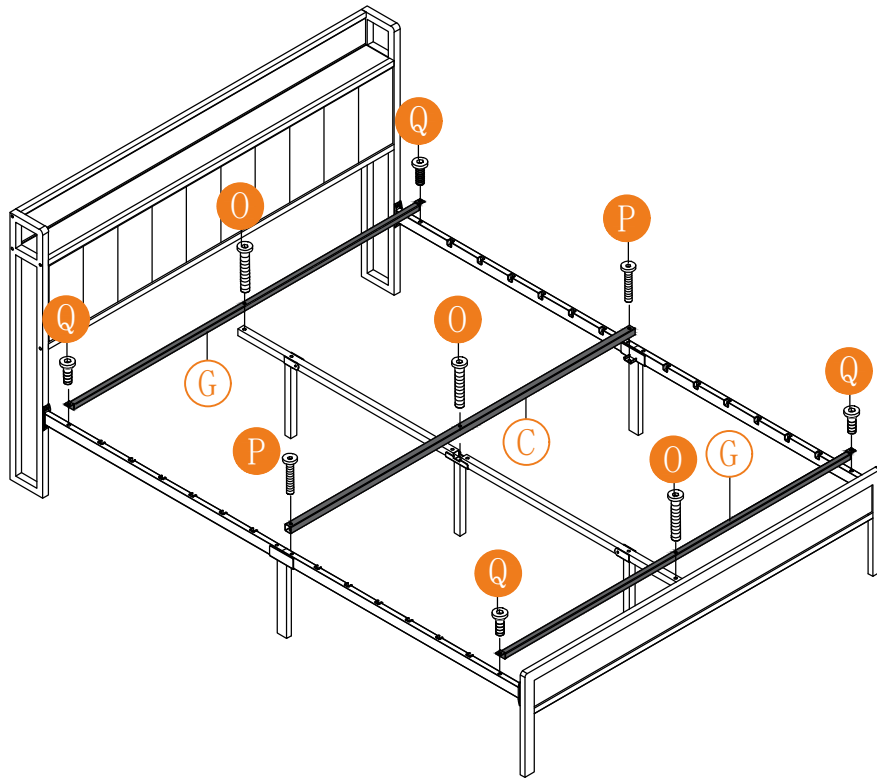
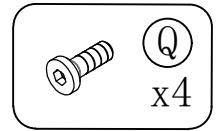
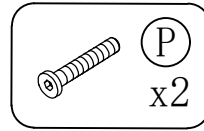
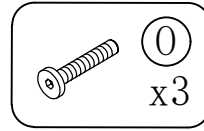
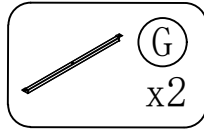
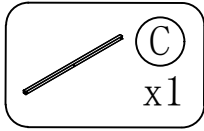
9



10



11



12

