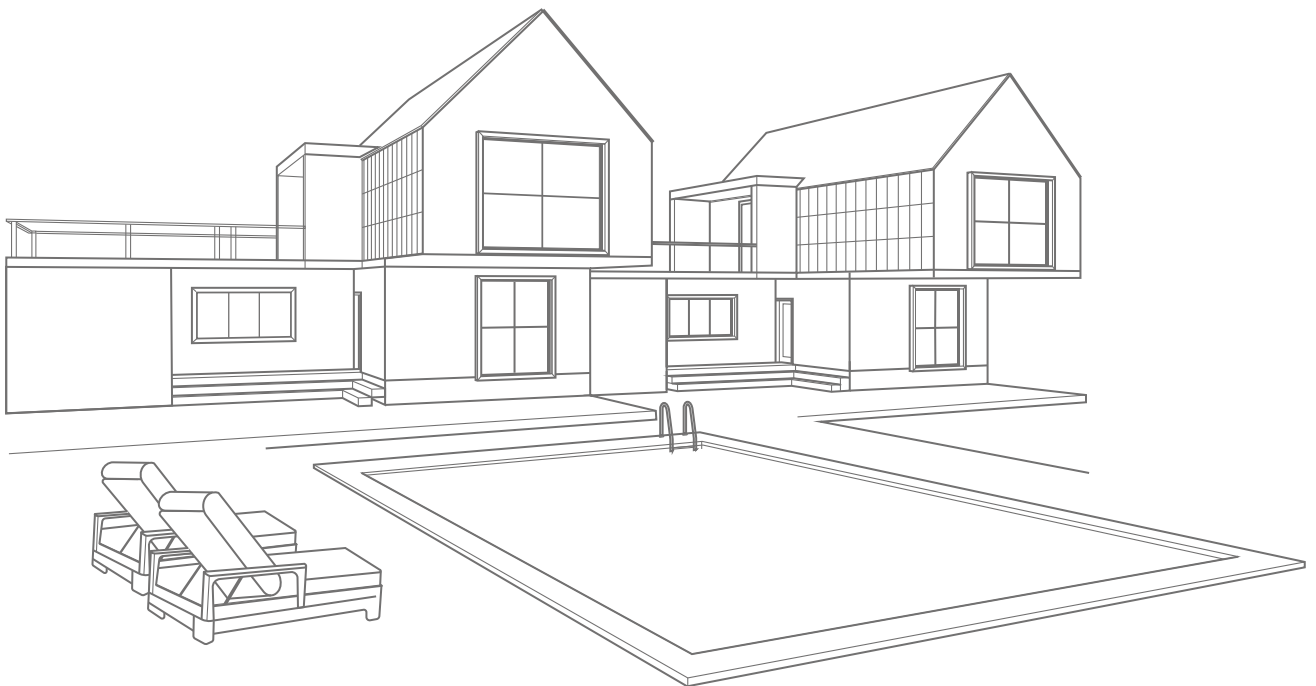


carport

Product ID. 7A3ZF



Scan for Support
support@garvee.com

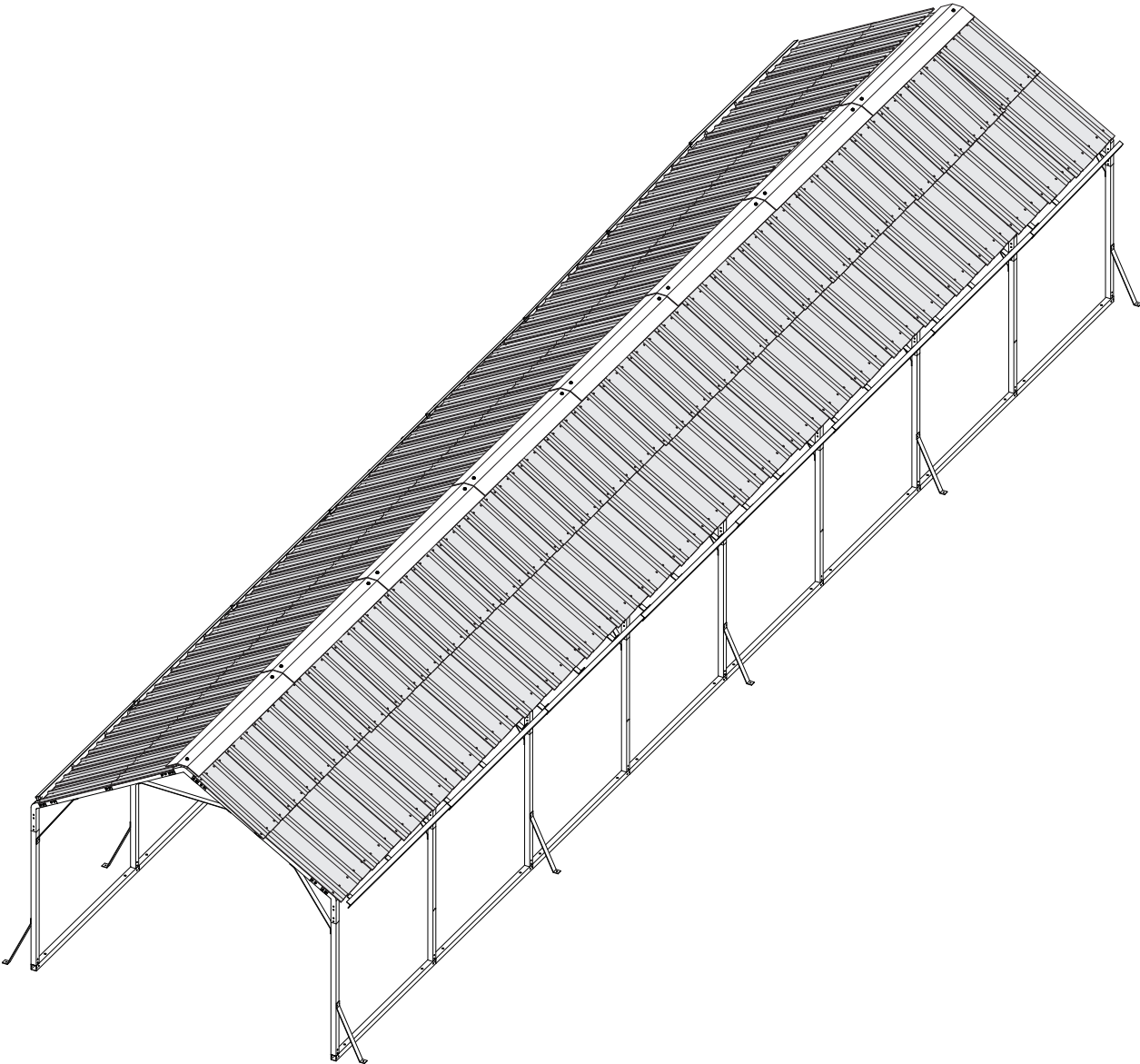


Distributed by
GARVEE.com

V251013I70T

CARPORT

Scan for Support



Distributed by
GARVEE.com

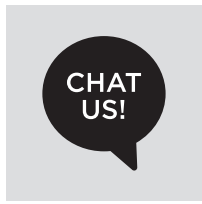
support@garvee.com

CONTENTS

01	HELP CENTER	1
02	WARNING	2
03	MATERIAL LIST	3-5
04	INSTALLATION STEPS	6-28

HELP CENTER

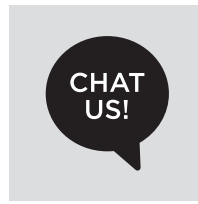
Question about your product? We're here to help. Visit us at:



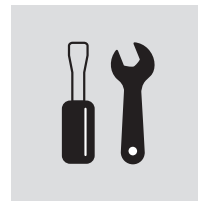
Chat Support



Product Inquiry



Orders FAQ



Product Assembly



Returns & Refunds

We Stand Behind the Quality of Their Furniture

If you have any issues with your item please let us know! We will always do our best to come up with a solution that you will be happy with. Please get in touch with our customer service team before returning the product. And Please do not throw away the original box(es) if you have not finished assembling or confirmed that there are no quality issues. Length of return period:

Items can be returned within 30 days of purchase.

In the meanwhile, everything you purchased from us comes with a one-year warranty.

Who is responsible for the return shipping fee:

We will cover the return shipping fees if:

1. Your item has a manufacturing defect in its materials or workmanship. For example, torn wicker or misaligned screw holes. We will send you a prepaid shipping label after photos are sent.
2. Your item was damaged in transit. For example, glass is broken or wicker is damaged. We will send you a prepaid shipping label after photos are sent.
3. You receive the wrong box(es) due to a warehouse error. We will send you a prepaid shipping label after photos are sent of the wrong SKU numbers on the outer box(es).
4. One or more boxes are lost in transit. We will send you a prepaid shipping label if you no longer want the item.

* However, we still hope to work with you for a better solution instead of a return.

Please don't hesitate to contact our customer service team.

Customer will cover the return shipping fees if:

1. You don't like the product(s) after receiving the box(es).
2. You no longer need the product(s) but you have received the box(es),
3. You buy the product(s) by mistake but you have received the box(es).
4. Order/shipment cancellation failed and you have received the box(es).

Return Request

In order to get a full refund as described in this return policy, all items must be:

(1) In a brandnew/unused condition, please provide photos before and after packaging.

(2) When returning, all accessories and parts are firmly packed in all original packaging. If your return does not meet the requirements, you may not get a full refund.

When will I be refunded?

The refund is released once the goods have been returned to our warehouse.

What if the product is damaged/defective outside of the valid return period?

We want you to be a happy customer. Please reach out to us by email and we will come up with a solution to make sure you are satisfied.

WARNING





1. Two or more people are required for assembly.
2. A ladder and electric drill may be necessary.
3. Do not erect the structure in heavy wind or inclement weather.
4. Do not leave up this unit for extended periods of time, as it is not a permanent structure or designed to withstand sustained wind or rain. It is a temporary, portable shelter that shields you from sunlight and rain. The screens also block flying insects.
5. Do not use candles, matches, or any open flame near the tent.
6. To better align the screws for practical situations, do not fully tighten screws initially.
7. Professional installation is highly recommended



- In case of windy weather, please do not stand in the gazebo.
- Please do not stand under the gazebo in case of heavy snowfall.
- For safety, please use expansion screw to reinforce the posts to the ground.
- In windy weather, please tighten the fence and netting to avoid tearing in high winds.
- In extreme weather condition, you can use a rope to pull the four corners of the gazebo to keep it stable.
- Please clear the snow off the roof in time for the heavy snowfall.
- Make sure all screws are tightened before use.
- Check all screws, buckles and straps every 90 days.
- Please keep all screws loose during the assembly process and tighten them after completing the installation.
- Do not use or store next to a pole with open flame or flammable chemical.
- Please note that some parts have sharp edges and should be handled with gloves.
- If any parts are missing, broken, damaged or worn, stop using the product until repairs are made or factory replacement parts are installed.
- Installation of the product in a manner that does not conform to the manufacturer's may result in the loss of the warranty policy for this product.
- Consult your local authorities to check if permits are required to erect the shed.

MATERIAL LIST

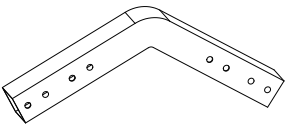


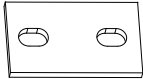
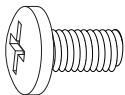
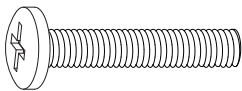
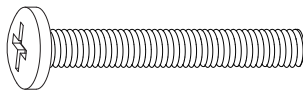
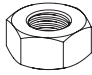
Box A

	
② *9 pcs	⑮ *2 pcs



Box B

	
② *9 pcs	⑥ *18 pcs



Box D

			
① *3 pcs	③ *6 pcs	④ *12 pcs	⑯ *12 pcs
			
M6*16	M6*55	M6*70	M6
⑰ *128 pcs	⑱ *172 pcs	⑲ *108 pcs	⑳ *280 pcs

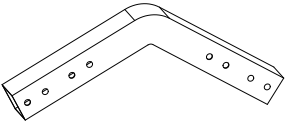

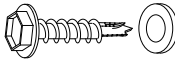
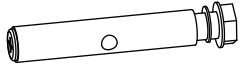
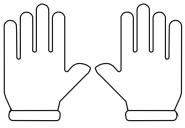


Box E

	
④ *20 pcs	⑨ *7 pcs






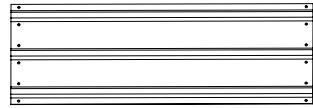
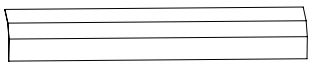
Box F

	
③ *21 pcs	④ *16 pcs

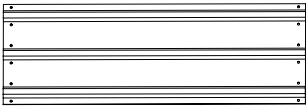
Box G

			
① *24 pcs	⑫ *48 pcs	⑳ *768 pcs	㉒ *42 pcs
	Box H		
㉓ *2 pcs		⑤ *6 pcs	⑧ *12 pcs

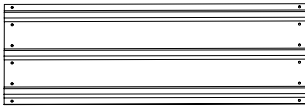
Box I

			
⑤ *2 pcs	⑦ *2 pcs	⑧ *2 pcs	⑨ *3 pcs
	Box J	Short 	
⑬ *16 pcs		⑩ *18 pcs	⑭ *4 pcs

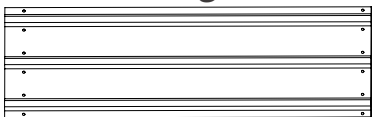
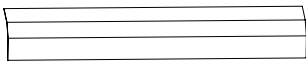
Box K

Short 
⑩ *19 pcs

Box L

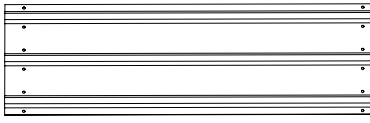
Short 
⑩ *19 pcs

Box M

Long 	
⑪ *18 pcs	⑭ *4 pcs

Box N

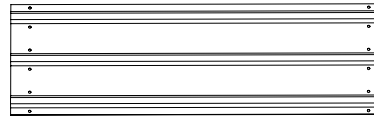
Long



⑪ *19 pcs

Box O

Long




⑪ *19 pcs

Tools Required

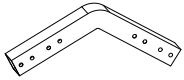

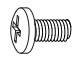
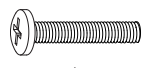
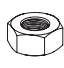

			
LEVEL	RUBBER Mallet	PHILLIPS SCREW	DRILL
			
ALLEN KEY	SAFETY HAT	GLOVES	STEPLADDER _(6.5FtOrMore)
			
SAFETY GOGGLES			

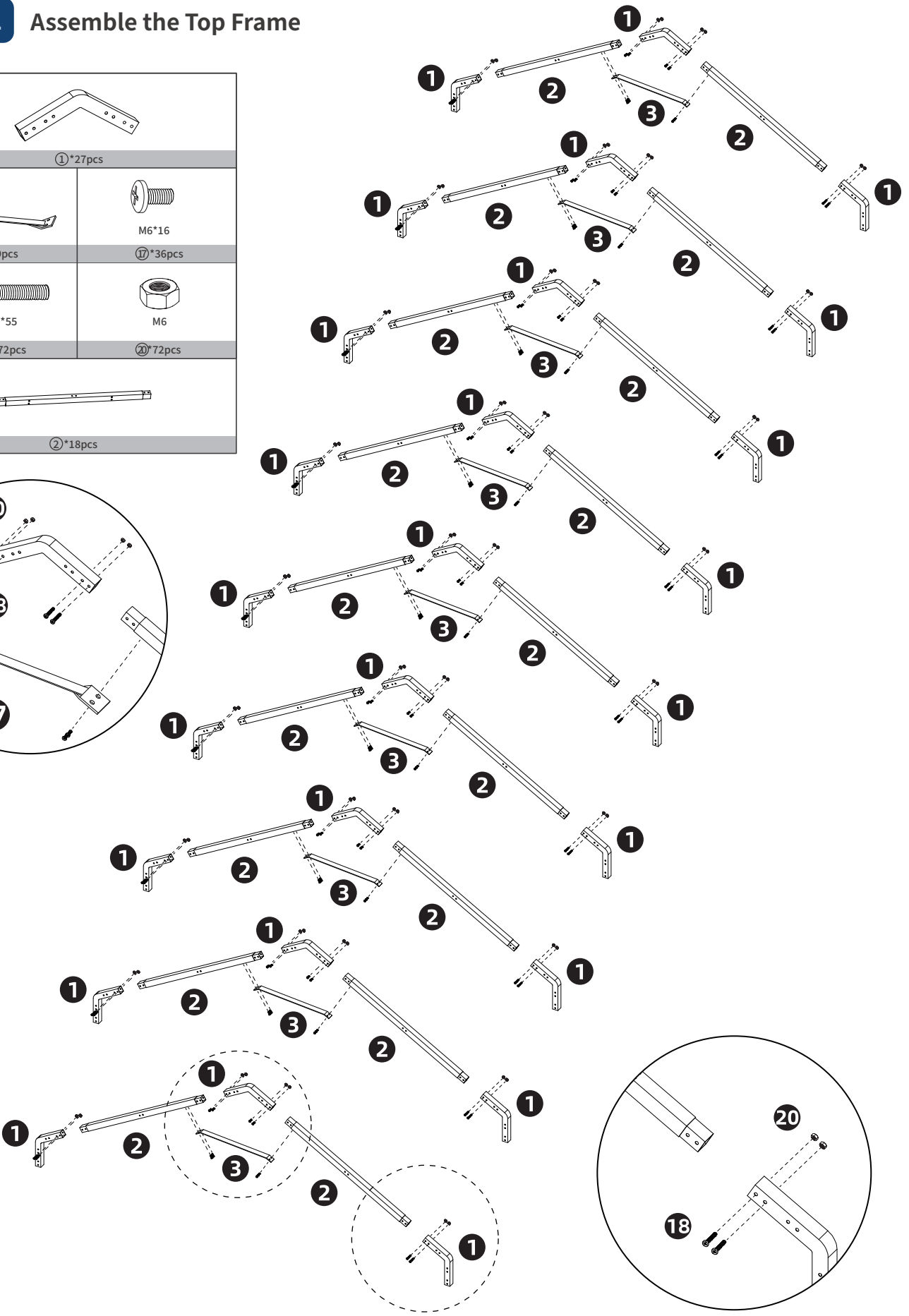
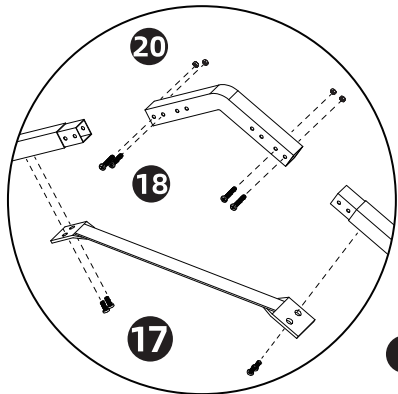
Matters needing attention

	Three or more people are required for assembly		Do not fully tighten screws prior to complete assembly
-------------------------------------------------------------------------------------	------------------------------------------------	--------------------------------------------------------------------------------------	--------------------------------------------------------


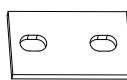


INSTALLATION

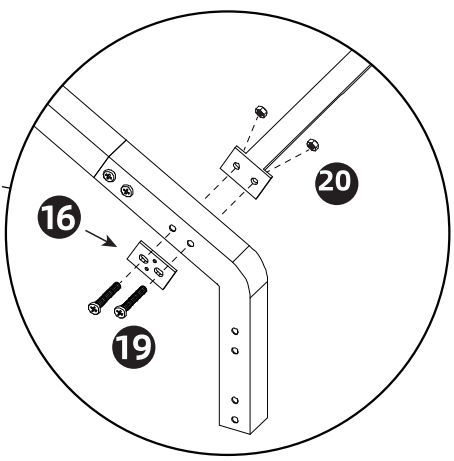
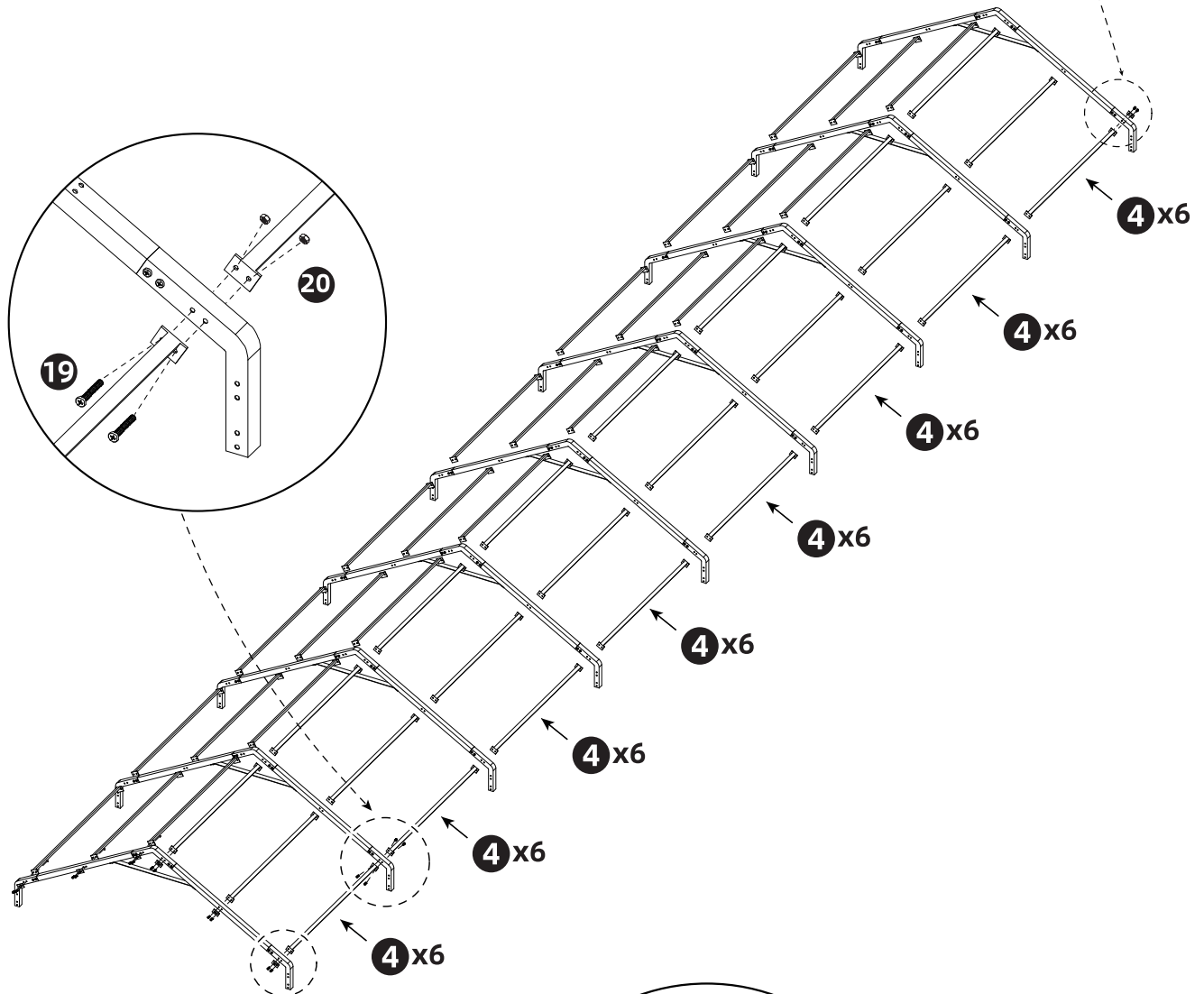
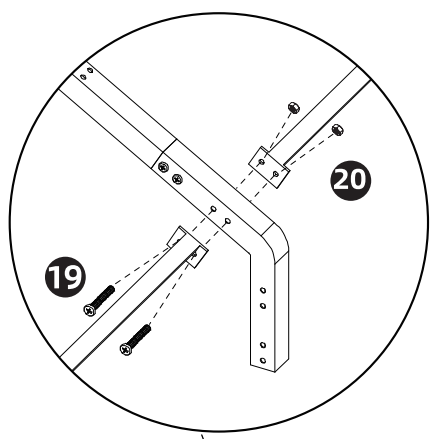
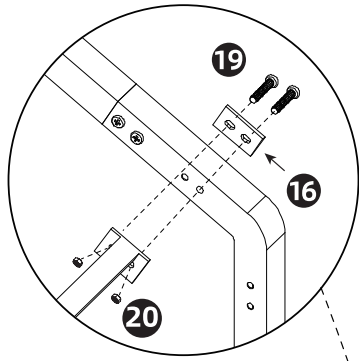
Step 1 Assemble the Top Frame

	
① *27pcs	
	
③ *9pcs	⑬ *36pcs
	
⑮ *72pcs	⑯ *72pcs
	
② *18pcs	

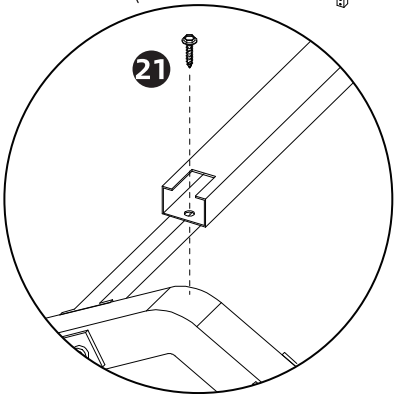
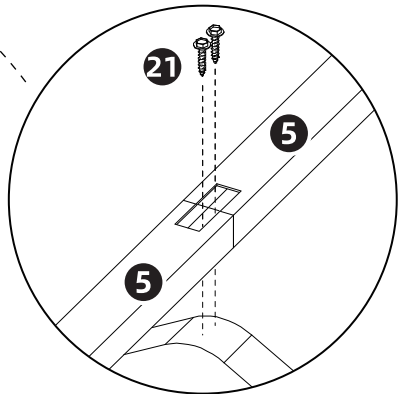
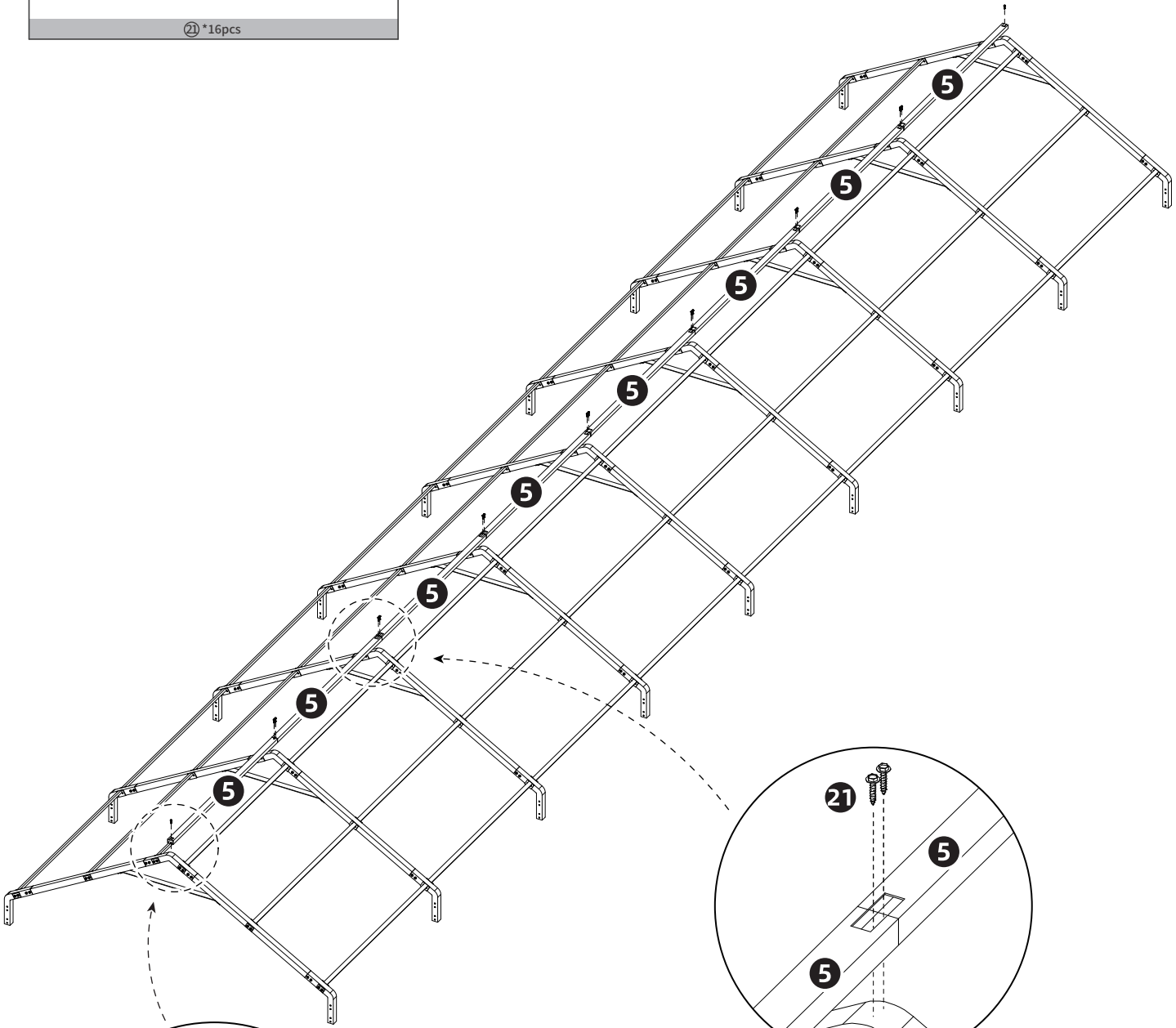
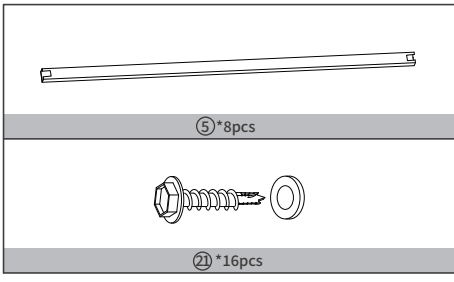


Step 2

	
④ *48pcs	⑬ *12pcs
	
M6*70	
⑱ *108pcs	⑳ *108pcs


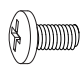





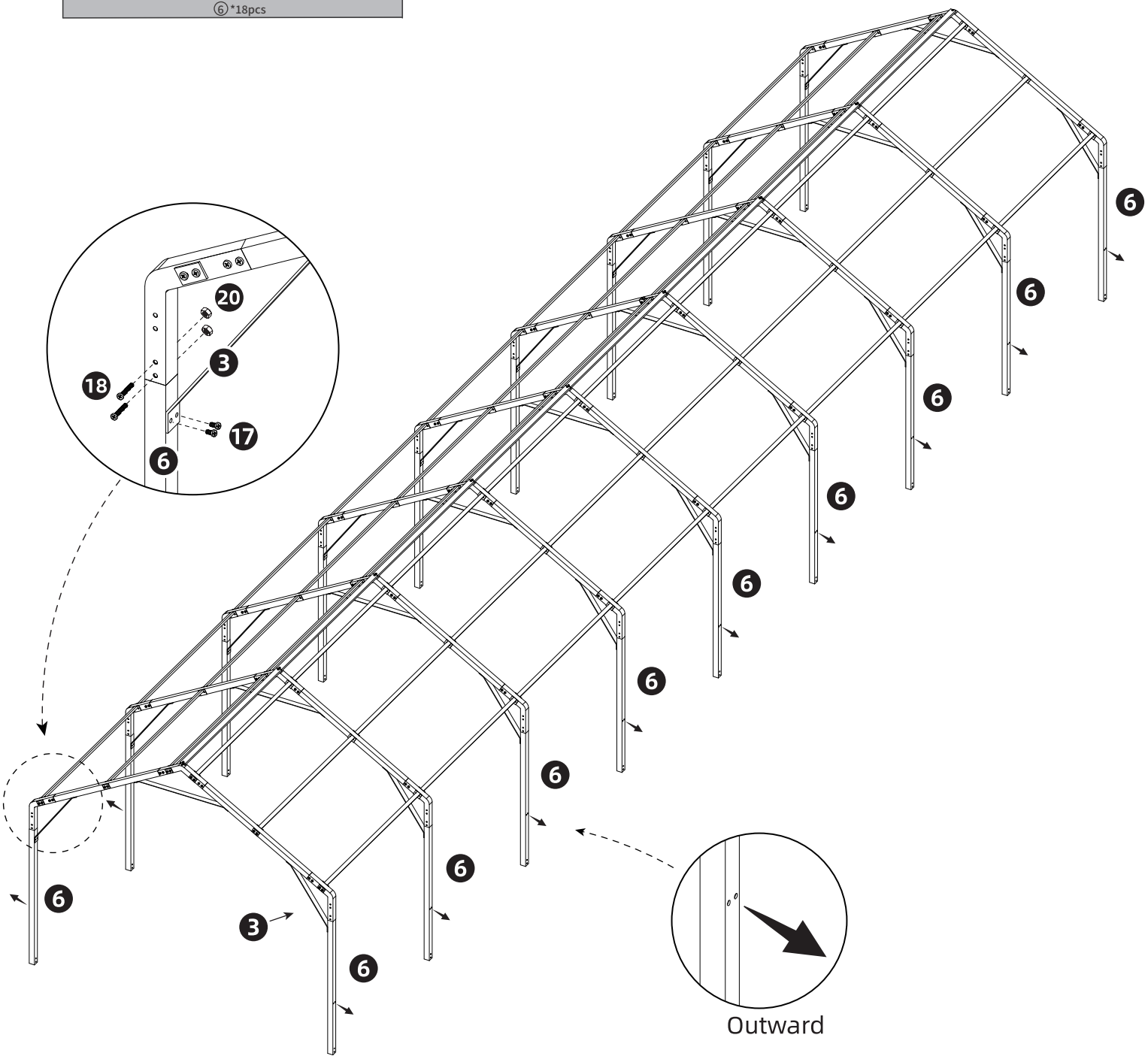
Step 3



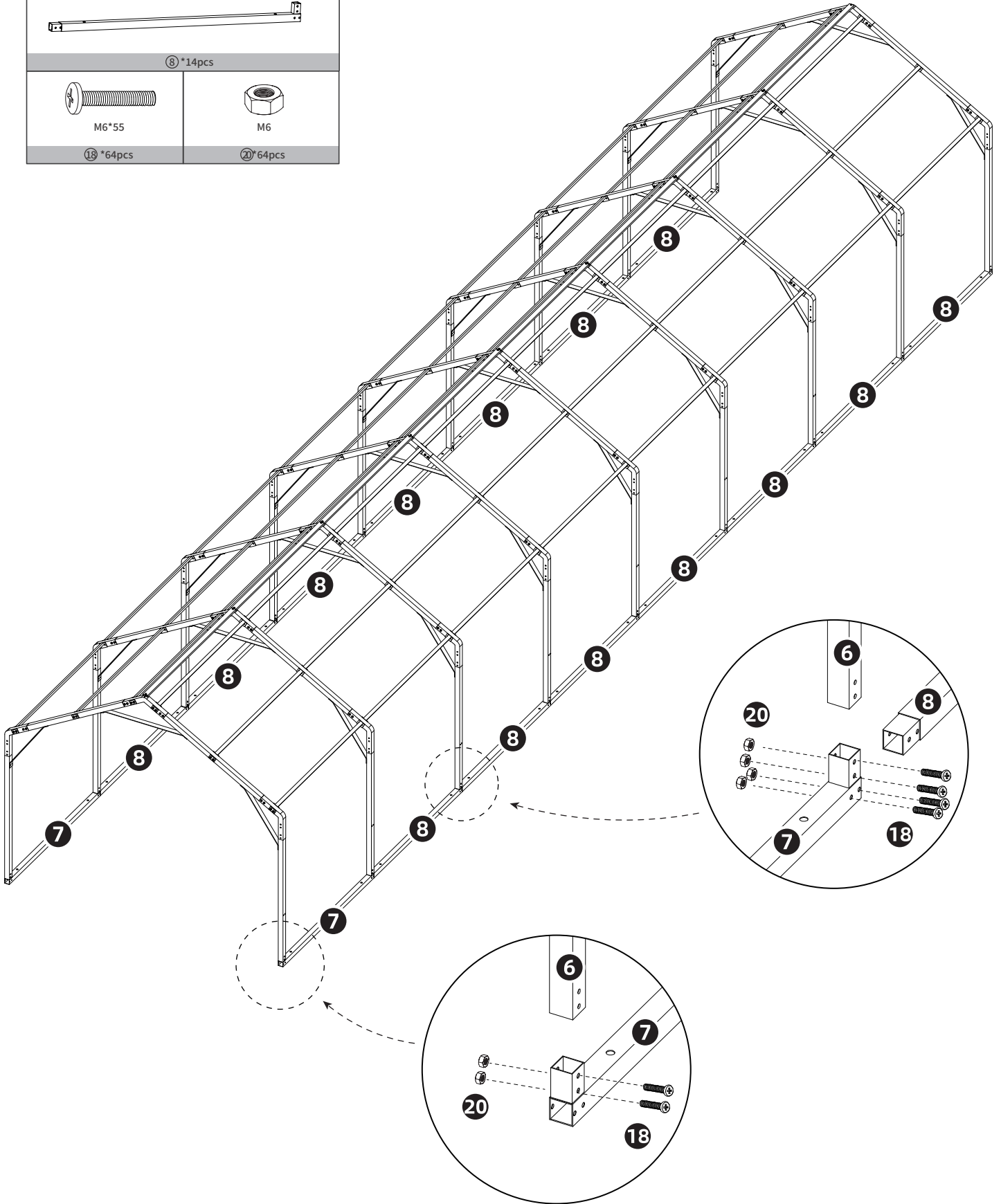
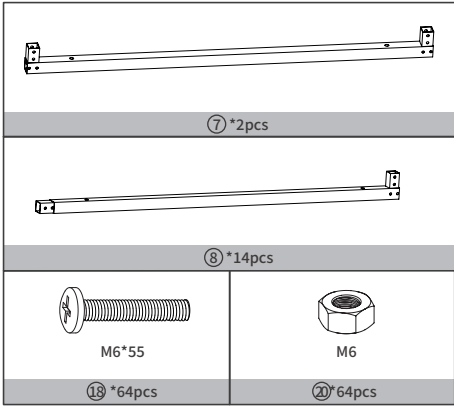
Note: First, connect the eight 5# pipes properly, and then fix them with screws.

Step 4 Connect Legs

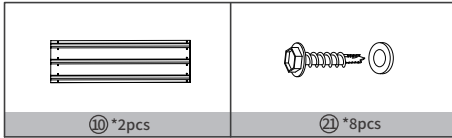
	
③ *18pcs	⑰ *72pcs
	
M6*55 ⑱ *36pcs	M6 ⑳ *36pcs
	
⑥ *18pcs	



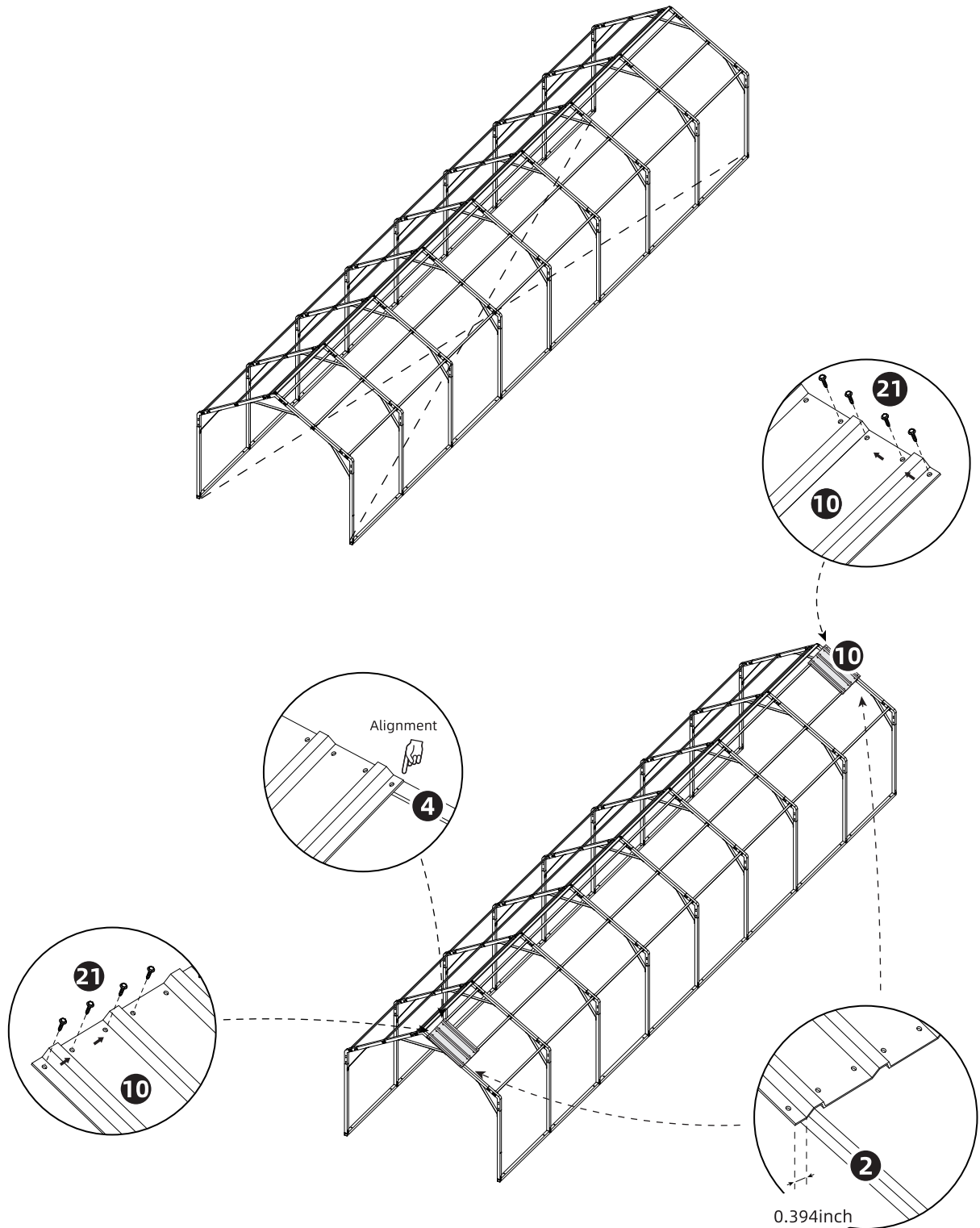
Step 5 Reinforce the Frame



Step 6 Install the Top Roof

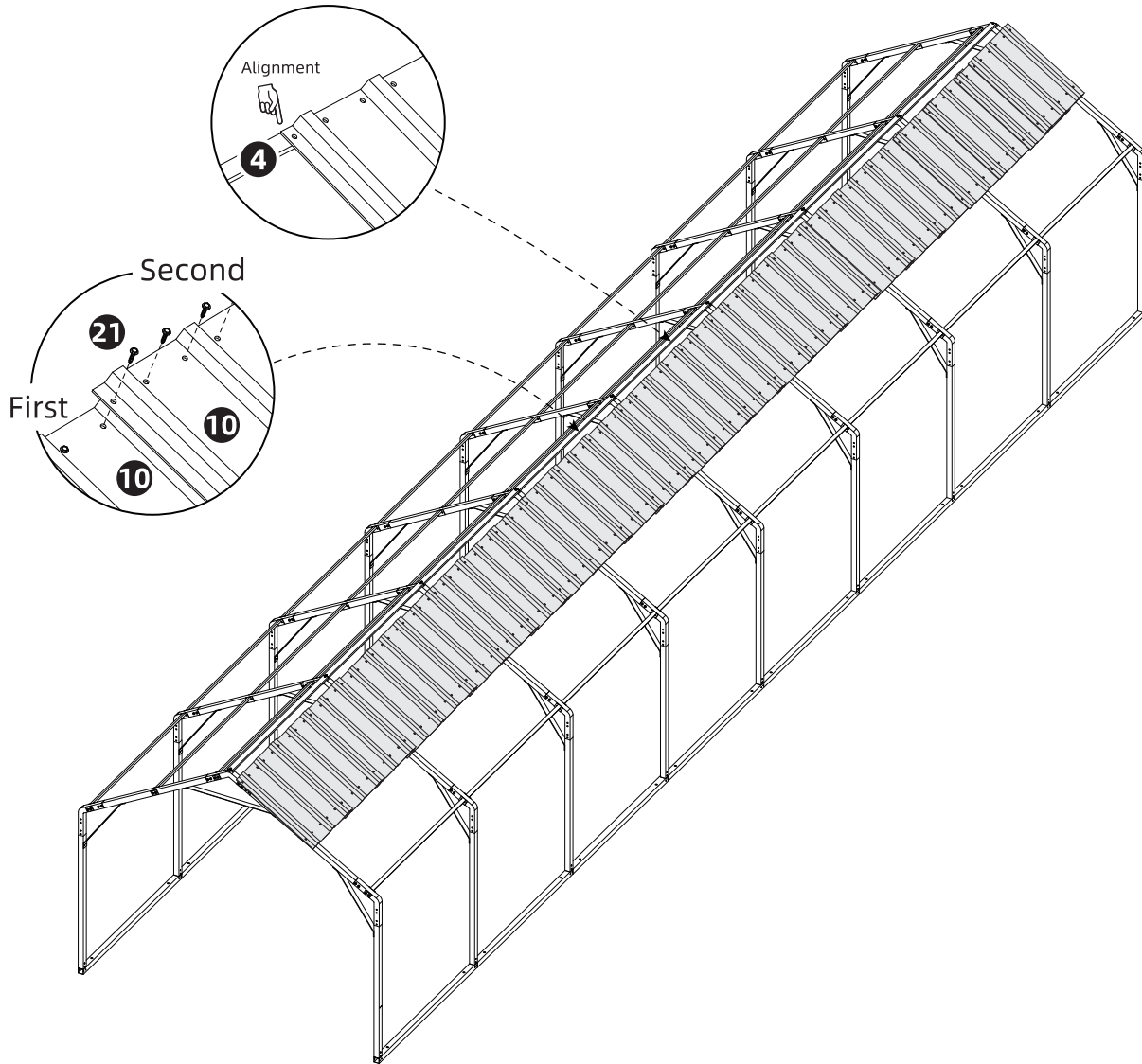
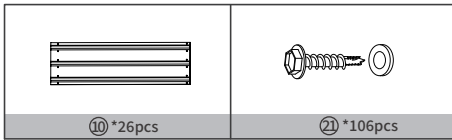


Draw diagonal lines across the four corners before installing the roof, ensuring that the lengths of the diagonal lines are the same.



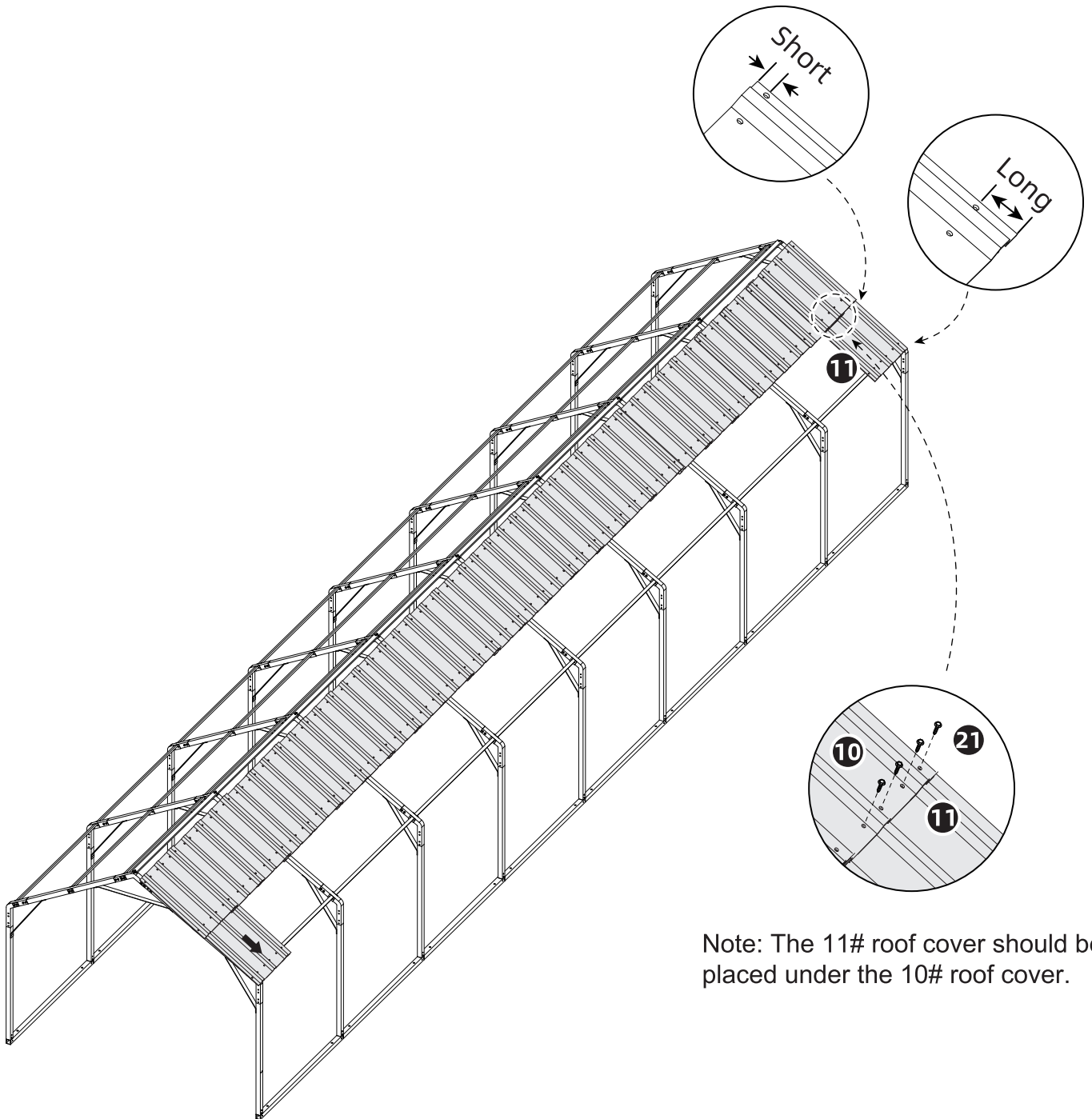
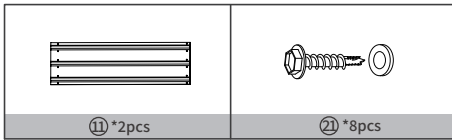
First, install two 10# roof covers on the outermost sides, each with four 21# screws fixing the top hole from the outside to the inside, and leave the bottom hole unassembled (when installing the 10# roof cover, the top hole position should be aligned with the 4# pipe, extending 0.394 inch beyond the 2# pipe).

Step 7



Next, place the second 10# roof cover on the first 10# roof cover and then secure the roof cover with four 21# screws from the outside to the inside (When two roof covers overlap, use the holes of the upper cover as a positioning, the top and bottom overlapping parts should be kept consistent, and the back one be as close to the front one as possible, otherwise, it will be difficult to install the subsequent roof covers). Continue to install the remaining roof covers following the previous steps, leaving the bottom screws of the roof covers for the next step.

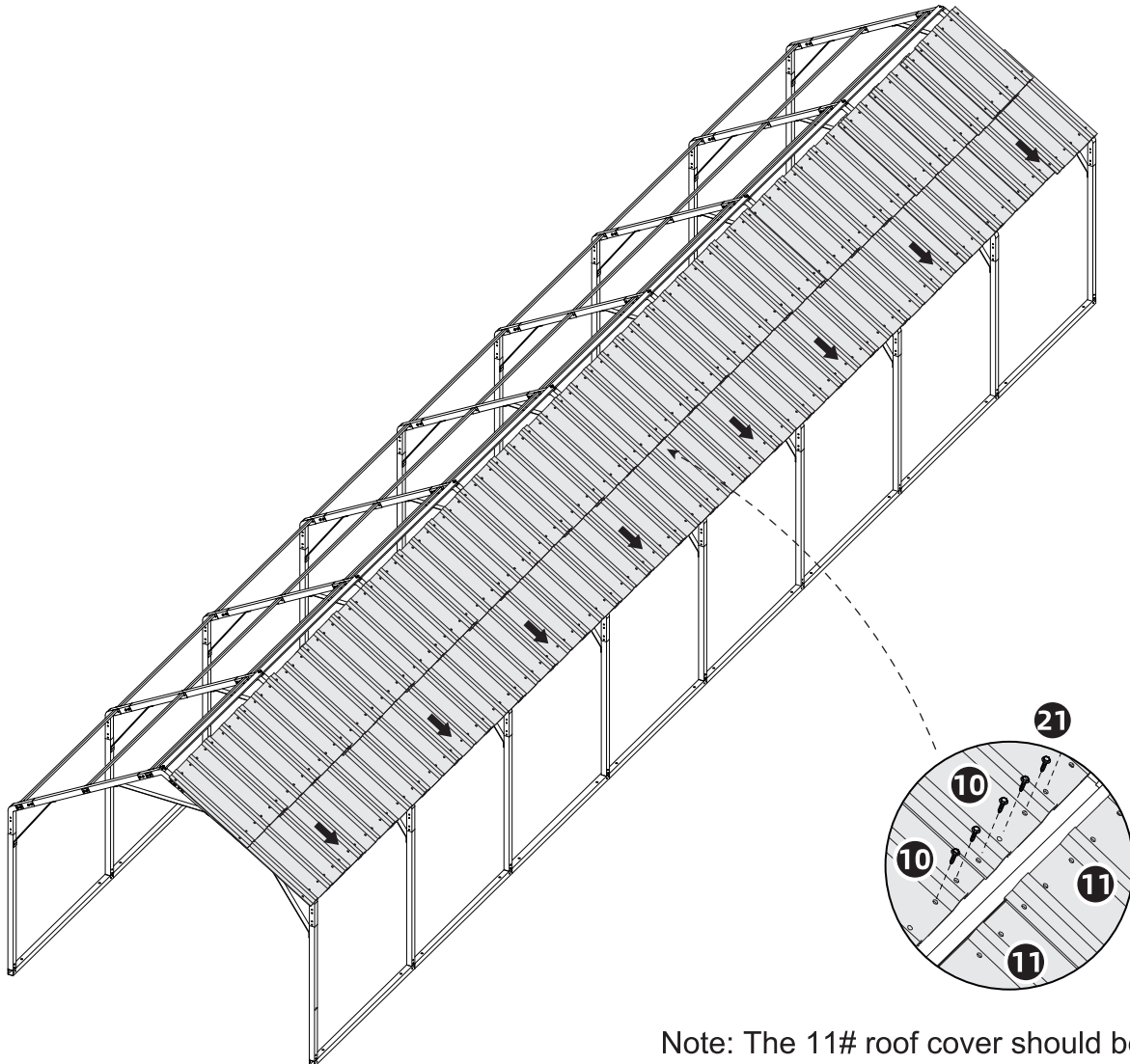
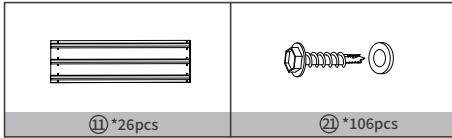
Step 8



Note: The 11# roof cover should be placed under the 10# roof cover.

After installing the 10# roof covers, install the 11# roof covers on the outermost two sides according to the previous steps (when installing 11# roof covers, the long hole spacing should be downward, and then placed under the 10# roof covers, while leaving the bottom holes unassembled)

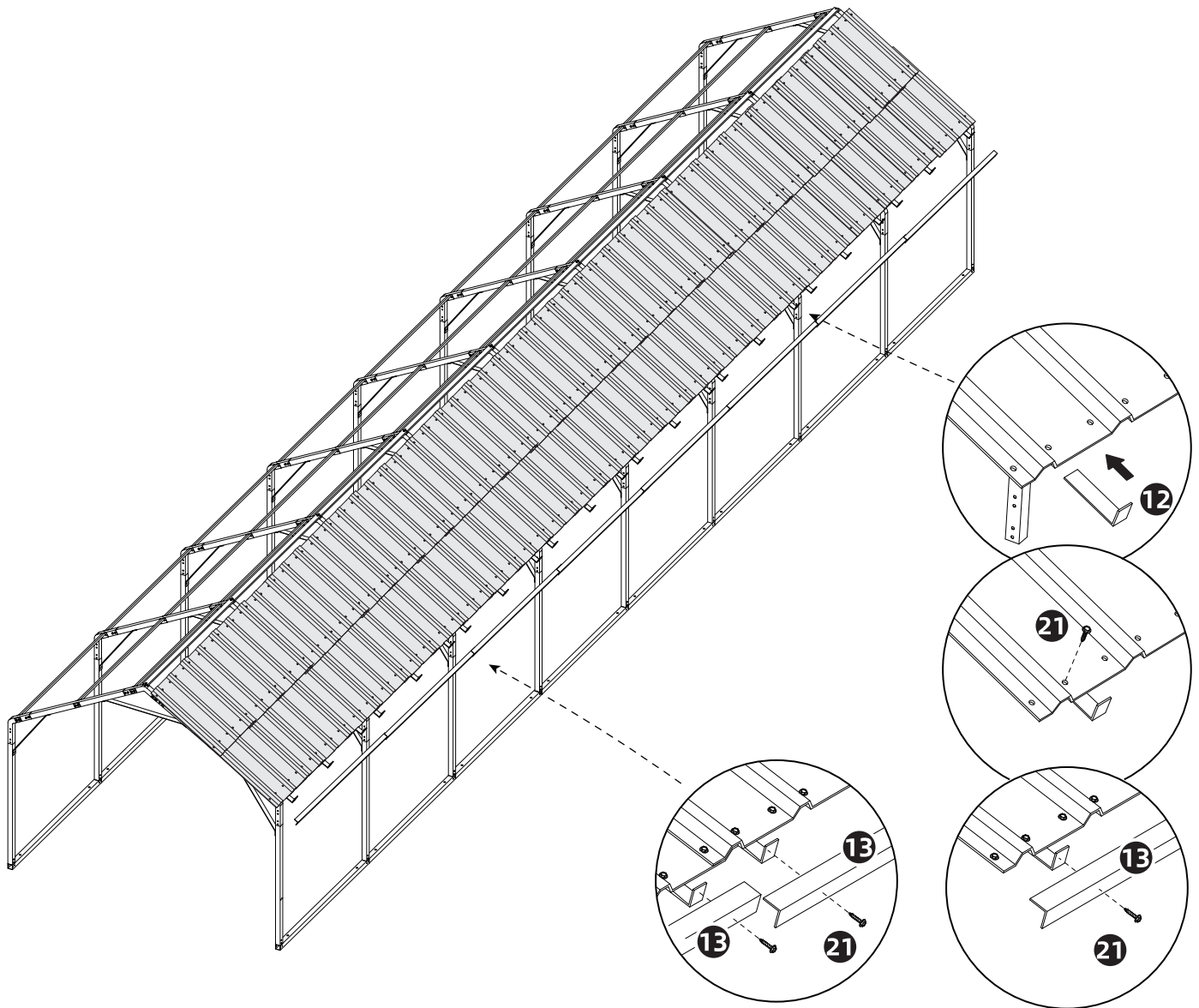
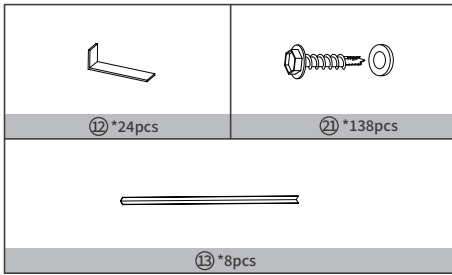
Step 9



Note: The 11# roof cover should be placed under the 10# roof cover.

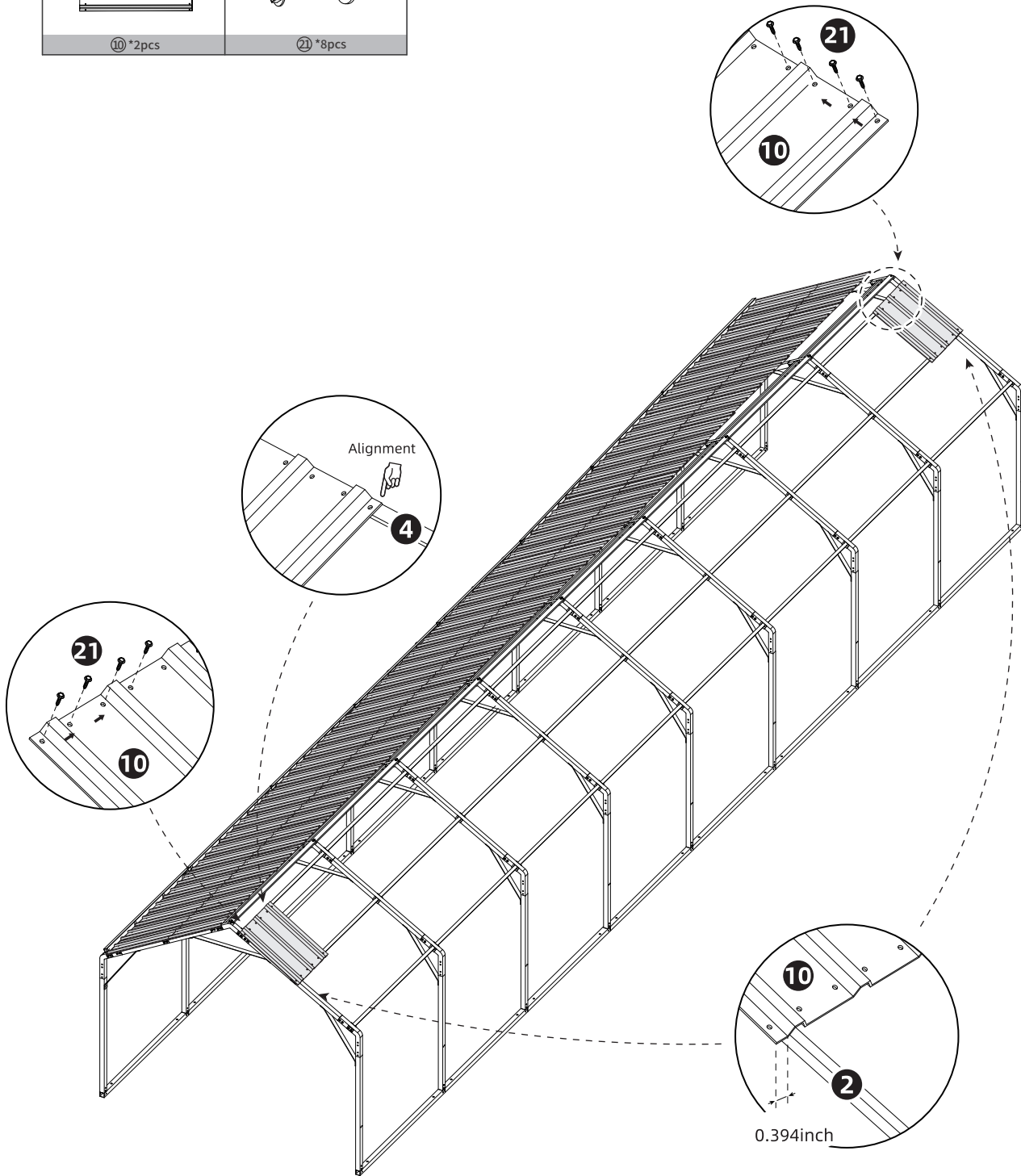
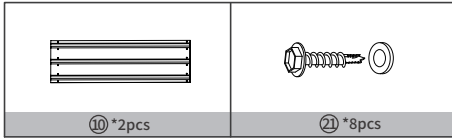
Next, place the second 11# roof cover on the first 11# roof cover and then secure the roof cover with four 21# screws from the outside to the inside (When four roof covers overlap, use the holes of the upper cover as a positioning, the top and bottom overlapping parts should be kept consistent, and the back one be as close to the front one as possible, otherwise, it will be difficult to install the subsequent roof covers). Continue to install the remaining roof covers following the previous steps, leaving the bottom screws of the roof covers for the next step.

Step 10



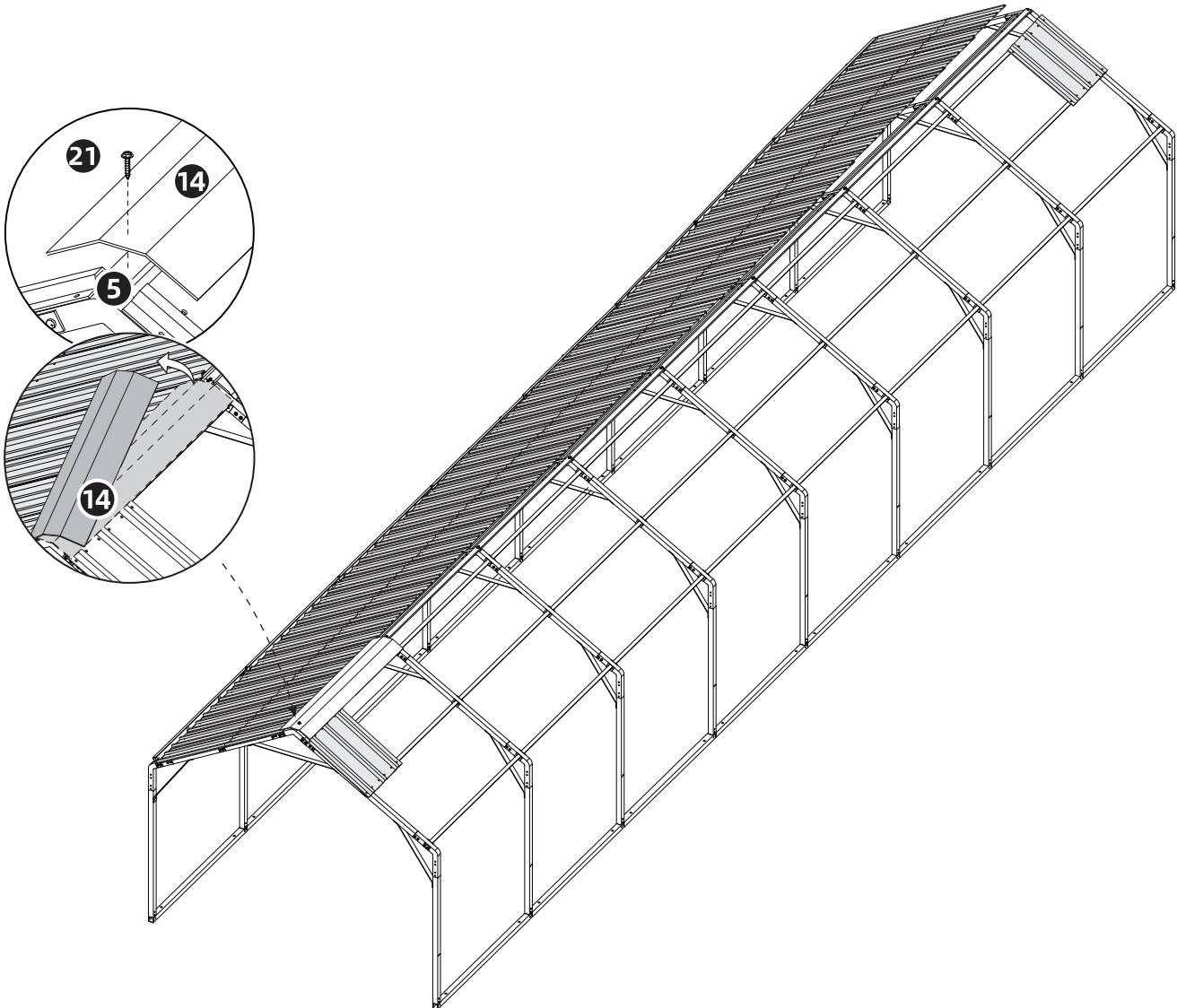
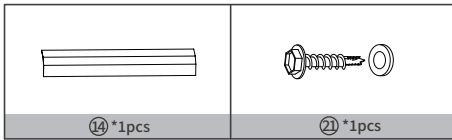
After all the roof covers are installed, place eighteen 12# parts between the 11# roof cover and the 4# pipe (place the 12# parts at the two ends and middle position of the 4# pipe), and then secure the screws at the bottom of the roof cover. Finally fix a 13# part to the 12# part then place the second 13# part on the first 13# part and secure to the 12# part. Continue to install the remaining 13# parts following the previous steps.

Step 11



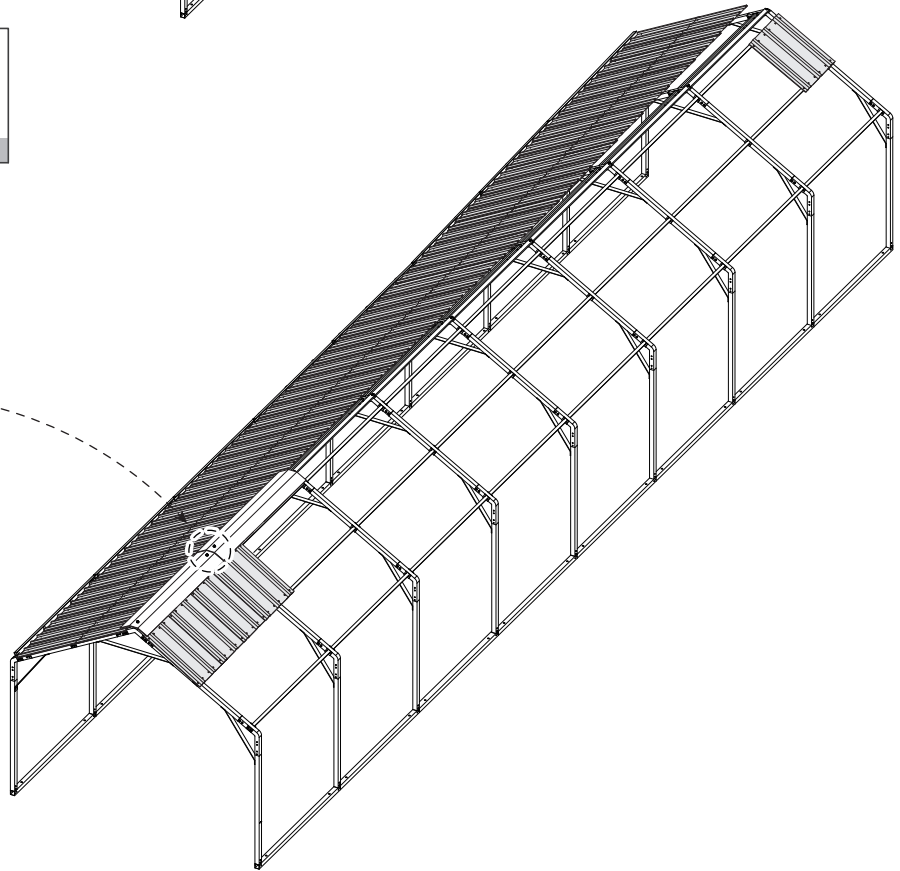
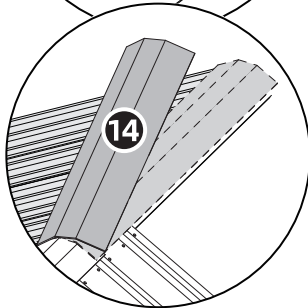
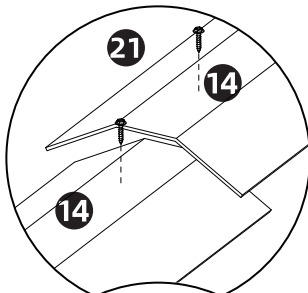
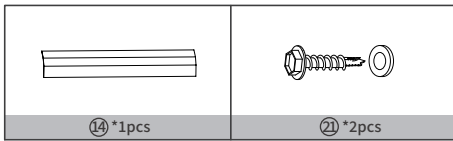
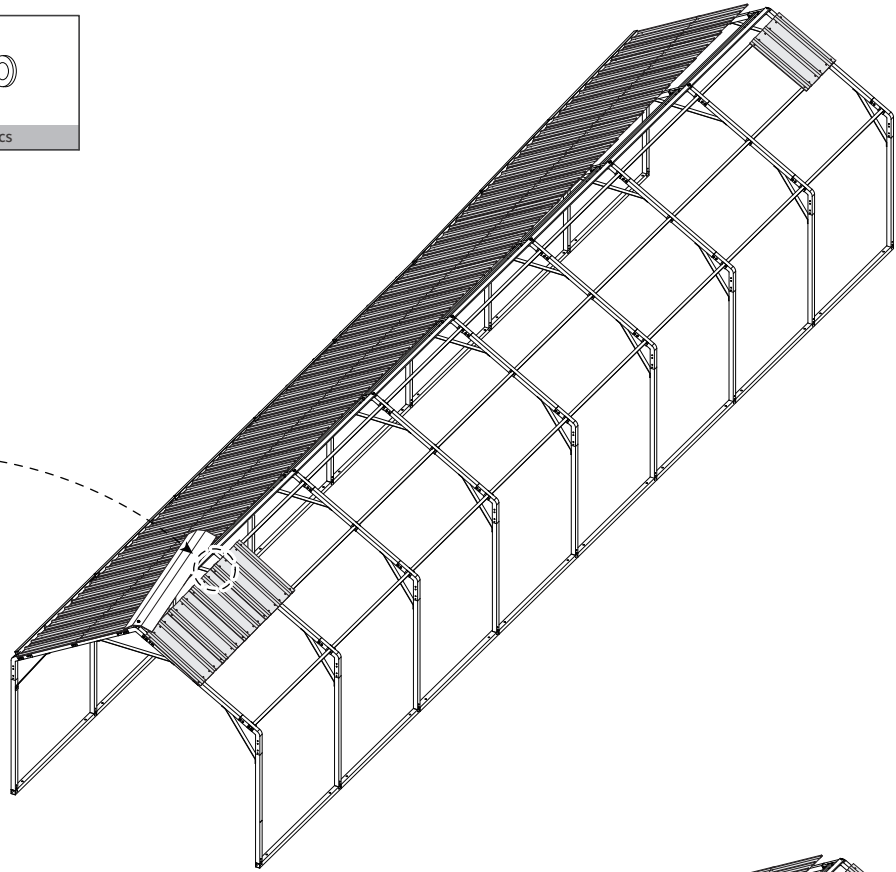
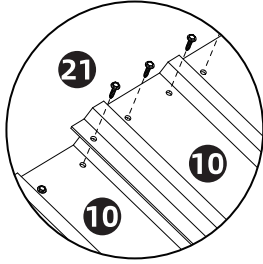
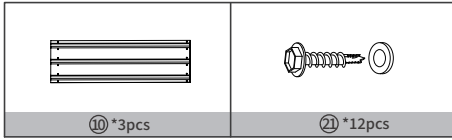
After installing one side of the roof cover, install the 10# roof cover on the two outermost roofs according to step 6.

Step 12



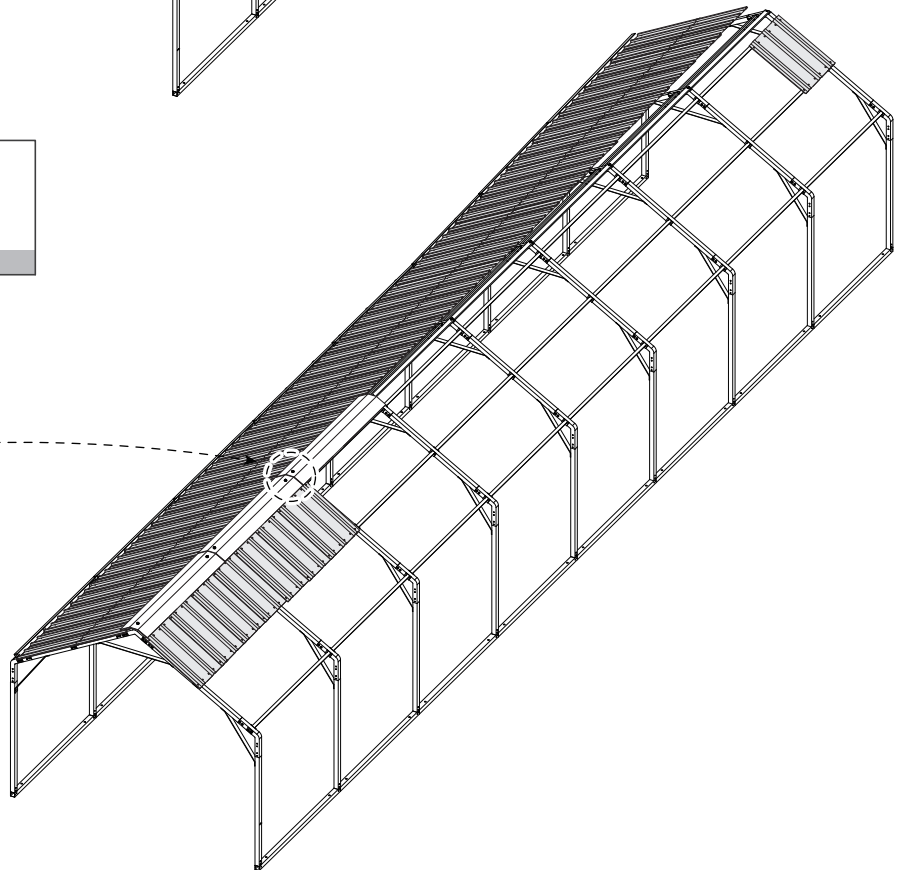
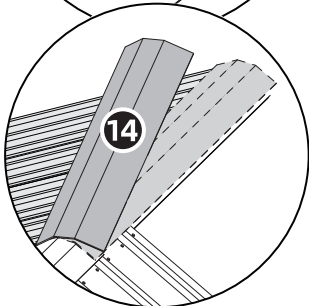
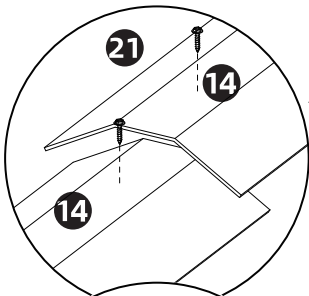
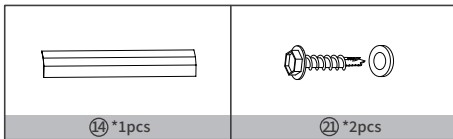
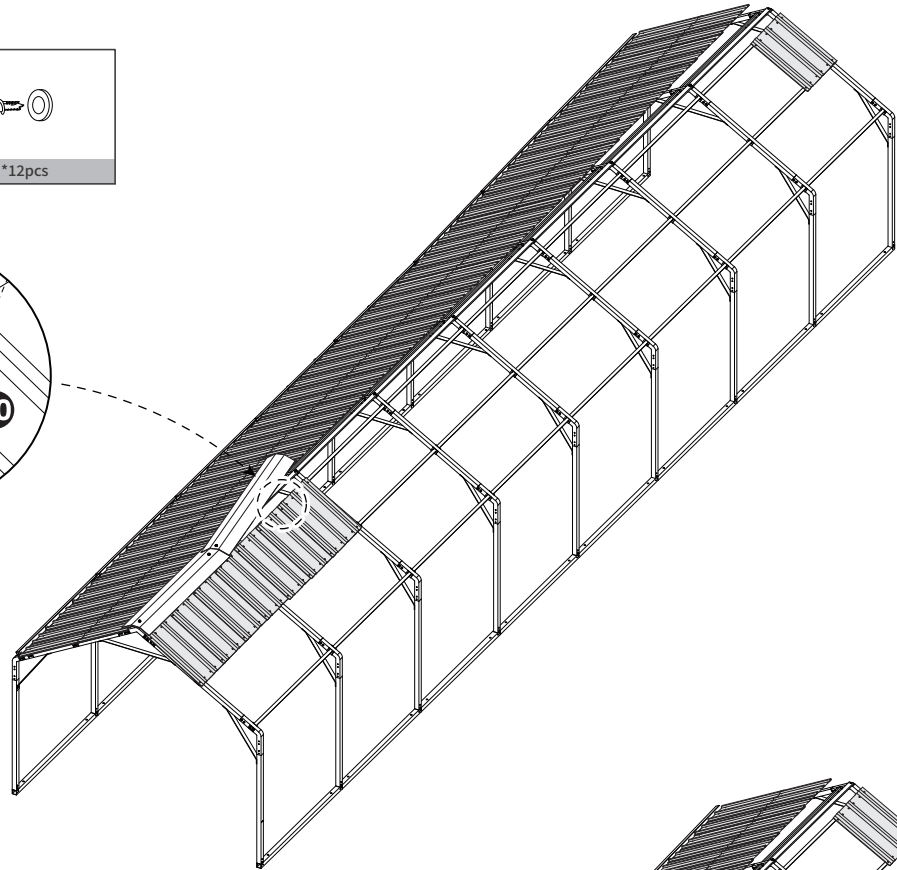
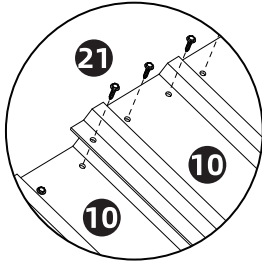
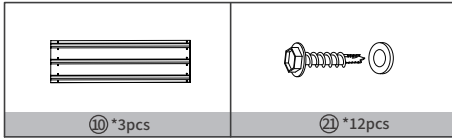
Next, secure a 14# roof cover to the topmost 5# pipe using a 21# screw (install the screw while avoiding the notch on the 5# pipe), and then move the 14# roof cover to the side where the roof cover has already been installed, so as to continue installing the covers.

Step 13



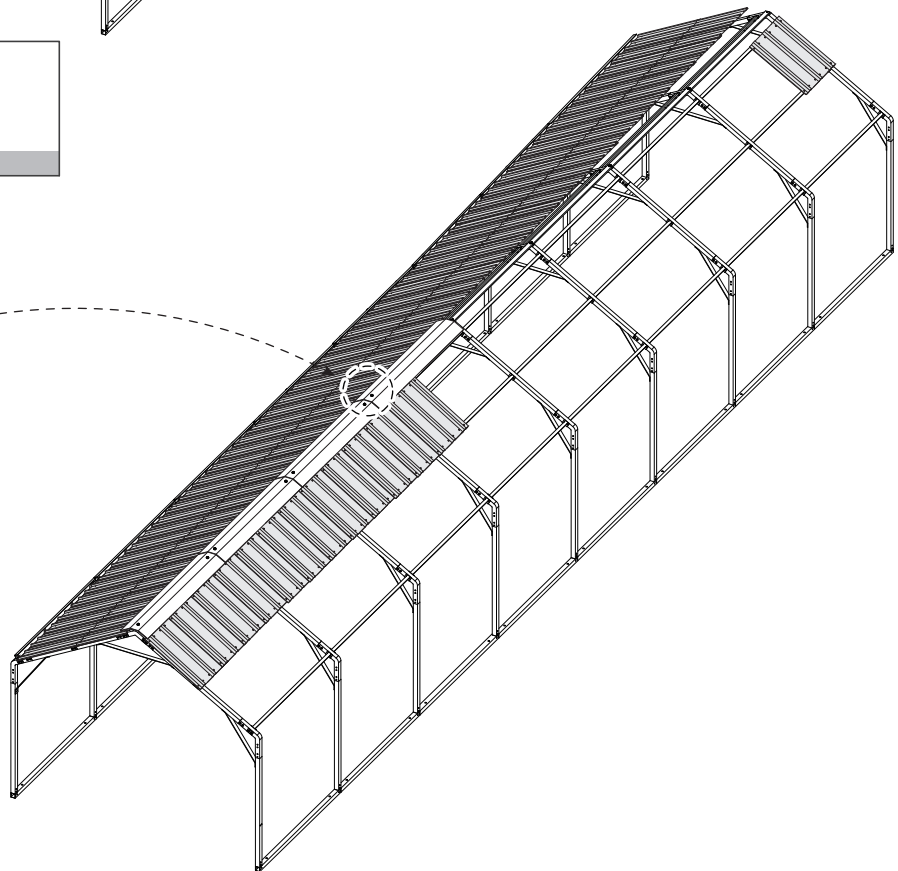
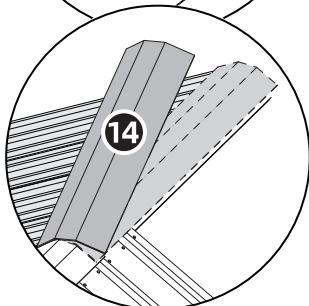
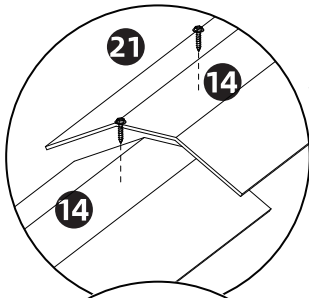
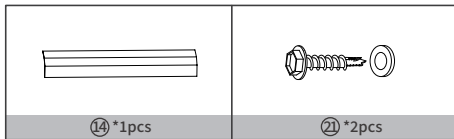
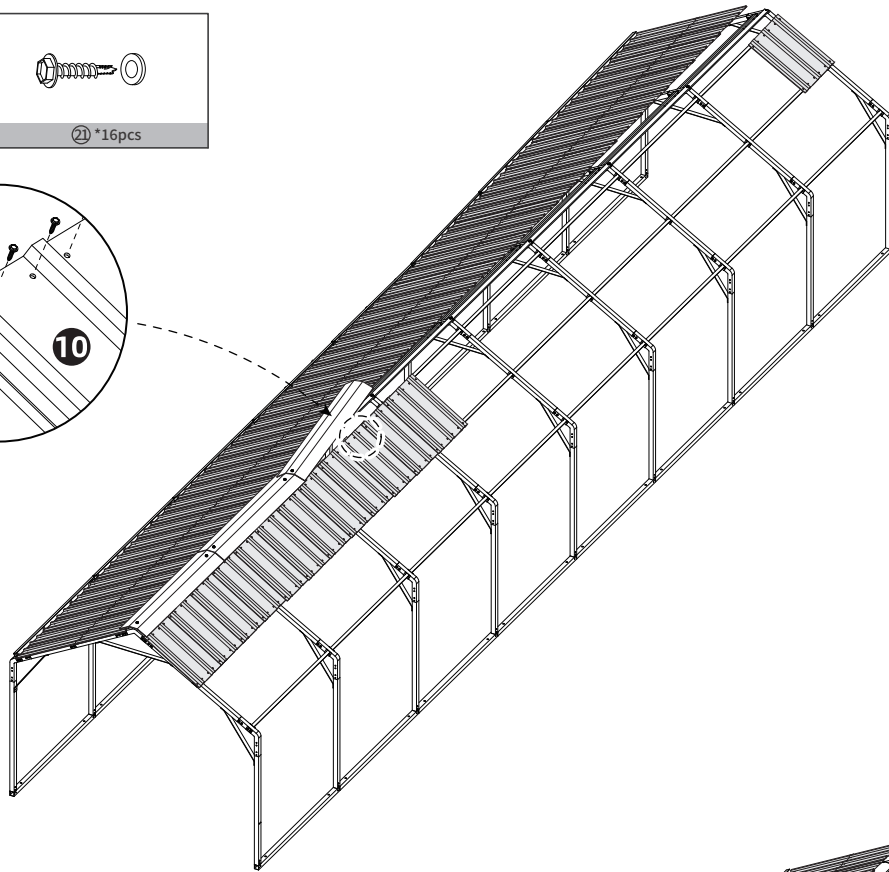
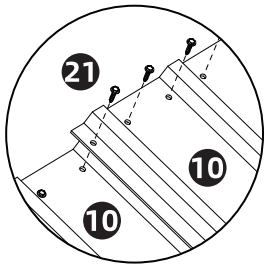
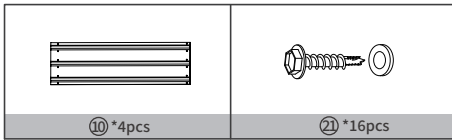
After the fourth 10# roof cover is installed, place the second 14# roof cover on the first 14# roof cover and then secure the two sides with two 21# screws (install the screw while avoiding the notch on the 5# pipe), and then move the second 14# roof cover to the side where the roof cover has already been installed, so as to continue installing the covers.

Step 14



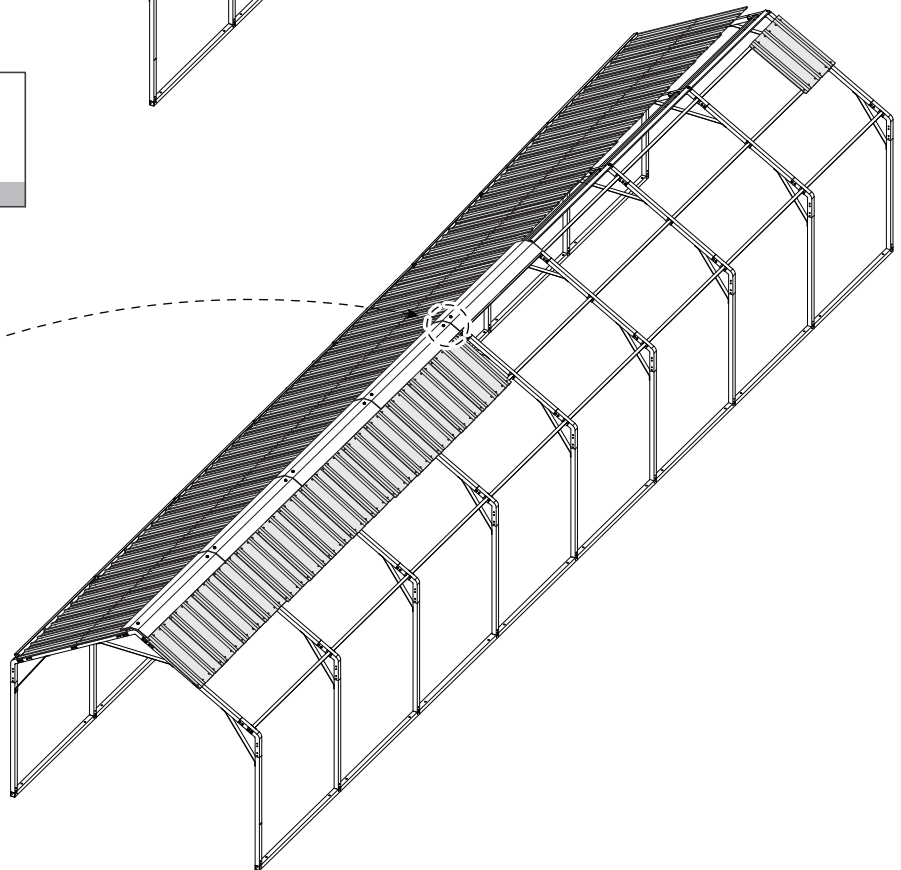
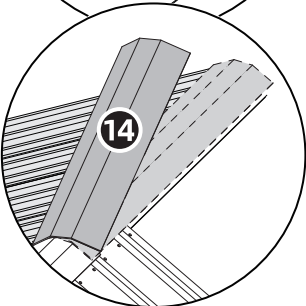
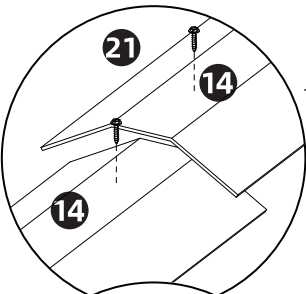
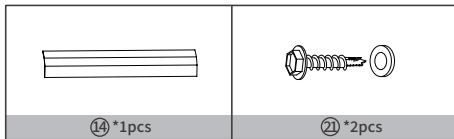
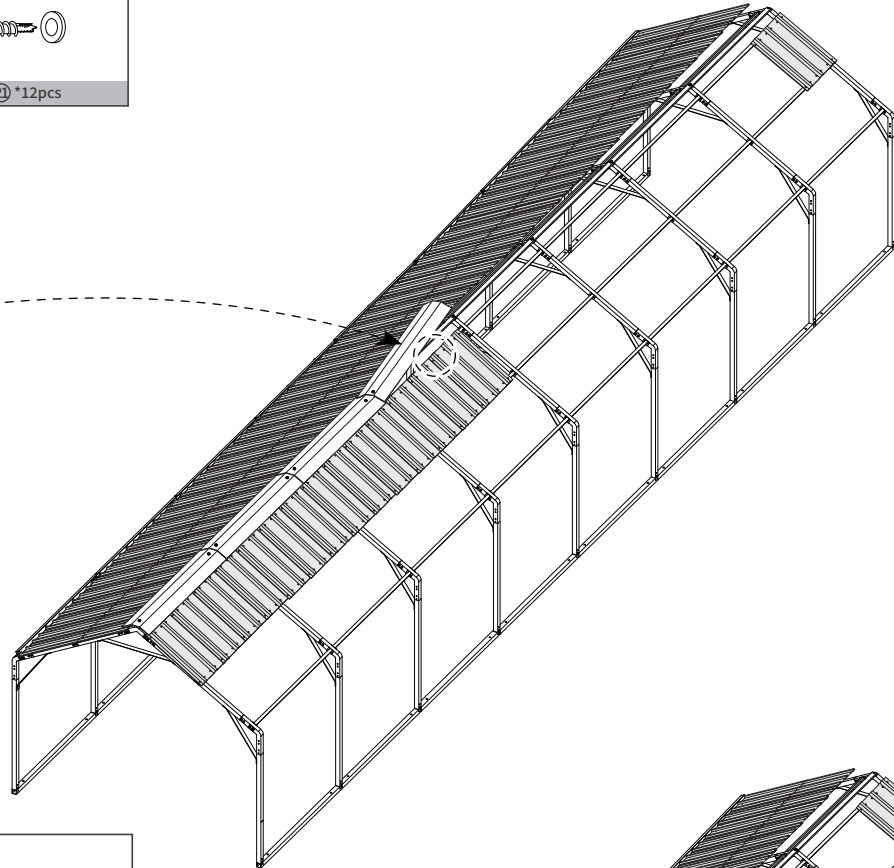
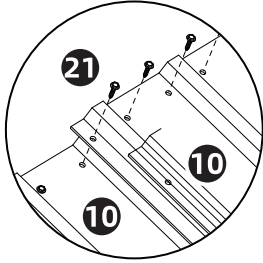
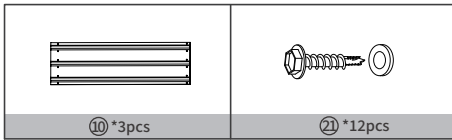
After the seventh 10# roof cover is installed, place the third 14# roof cover on the second 14# roof cover and then secure the two sides with two 21# screws (install the screw while avoiding the notch on the 5# pipe), and then move the third 14# roof cover to the side where the roof cover has already been installed, so as to continue installing the covers.

Step 15



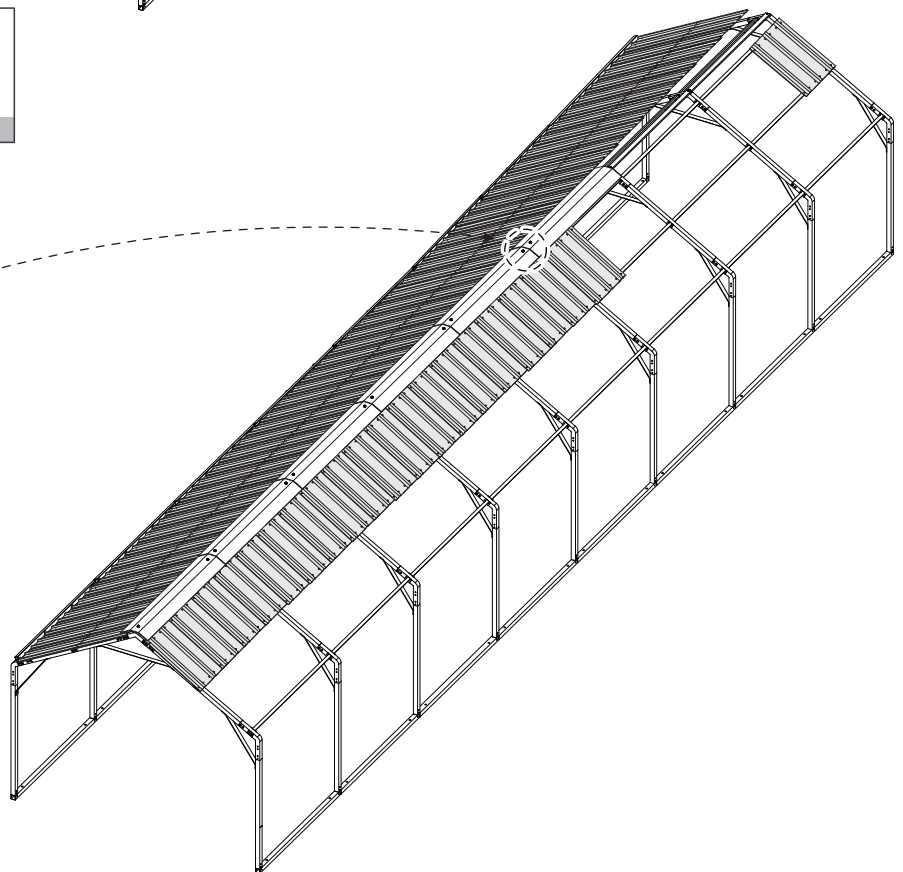
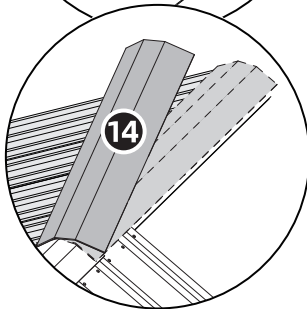
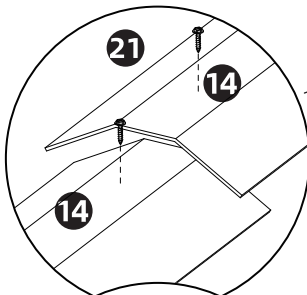
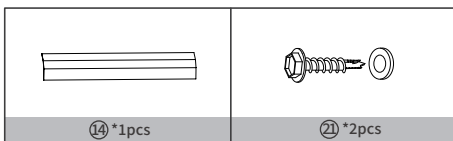
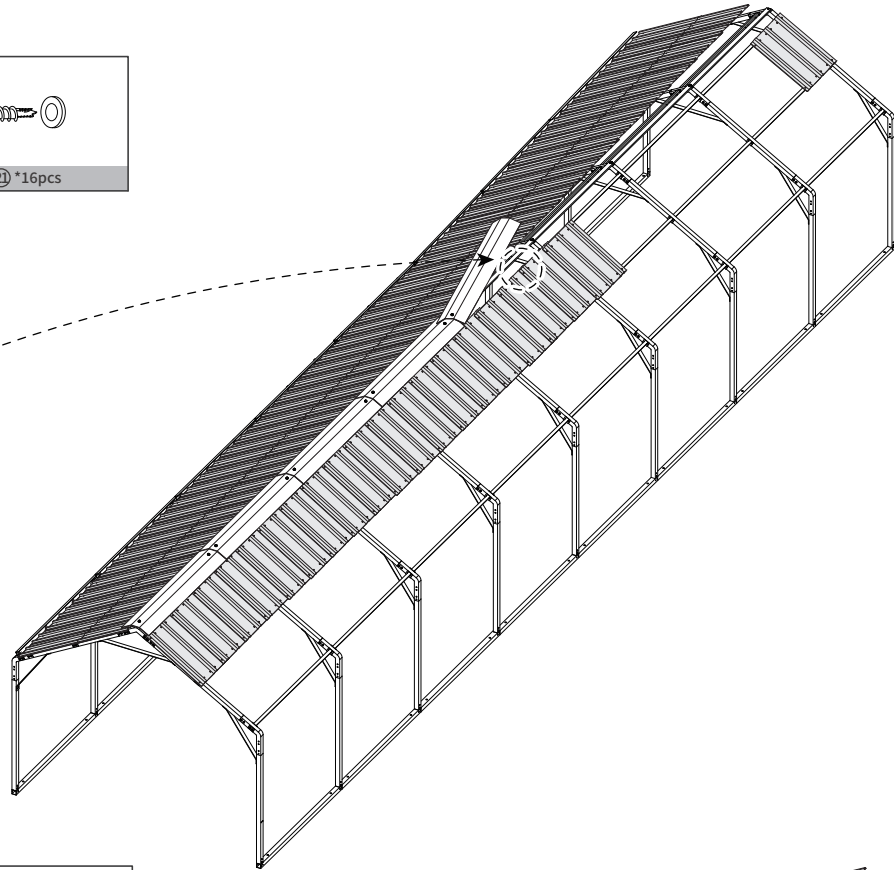
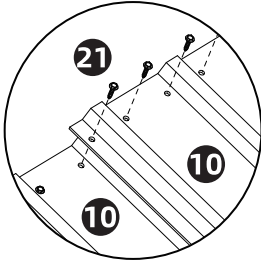
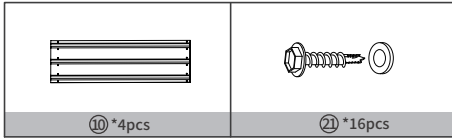
After the eleventh 10# roof cover is installed, place the fourth 14# roof cover on the third 14# roof cover and then secure the two sides with two 21# screws (install the screw while avoiding the notch on the 5# pipe), and then move the fourth 14# roof cover to the side where the roof cover has already been installed, so as to continue installing the covers.

Step 16



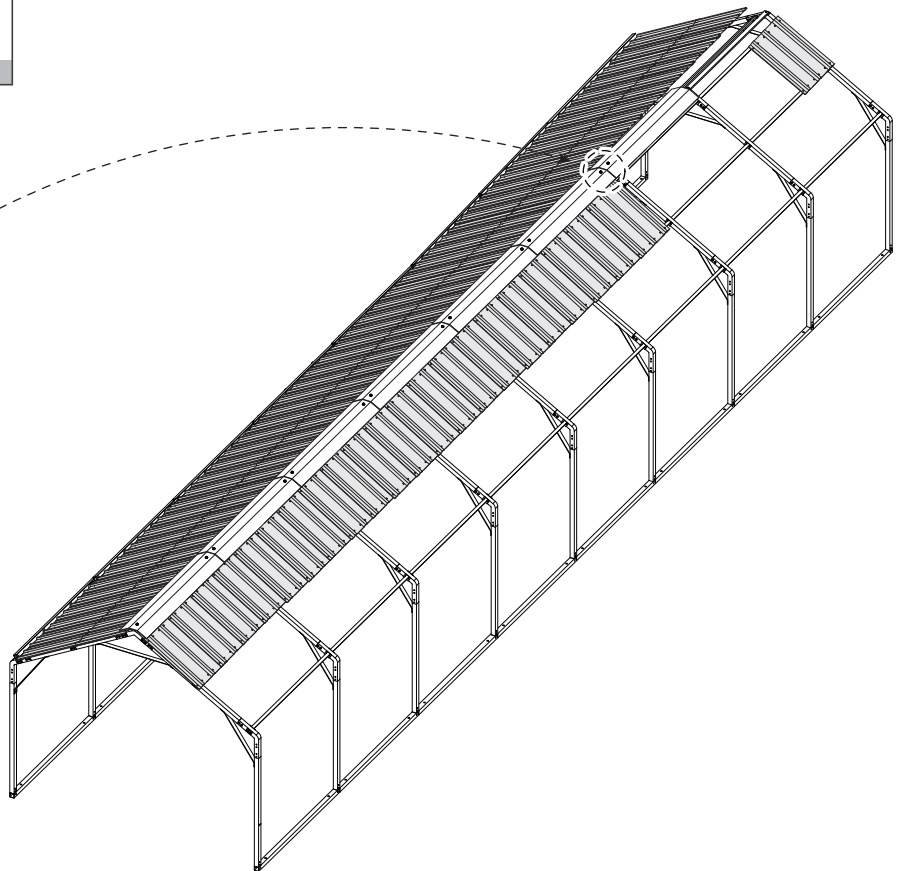
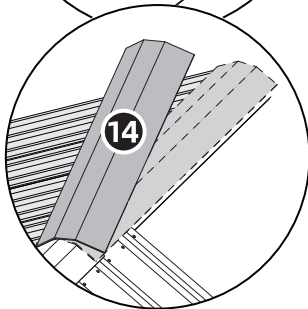
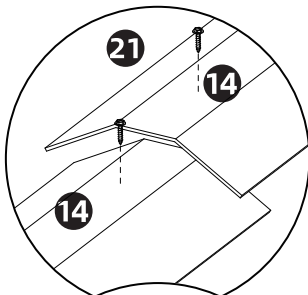
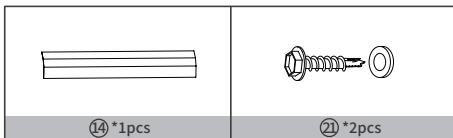
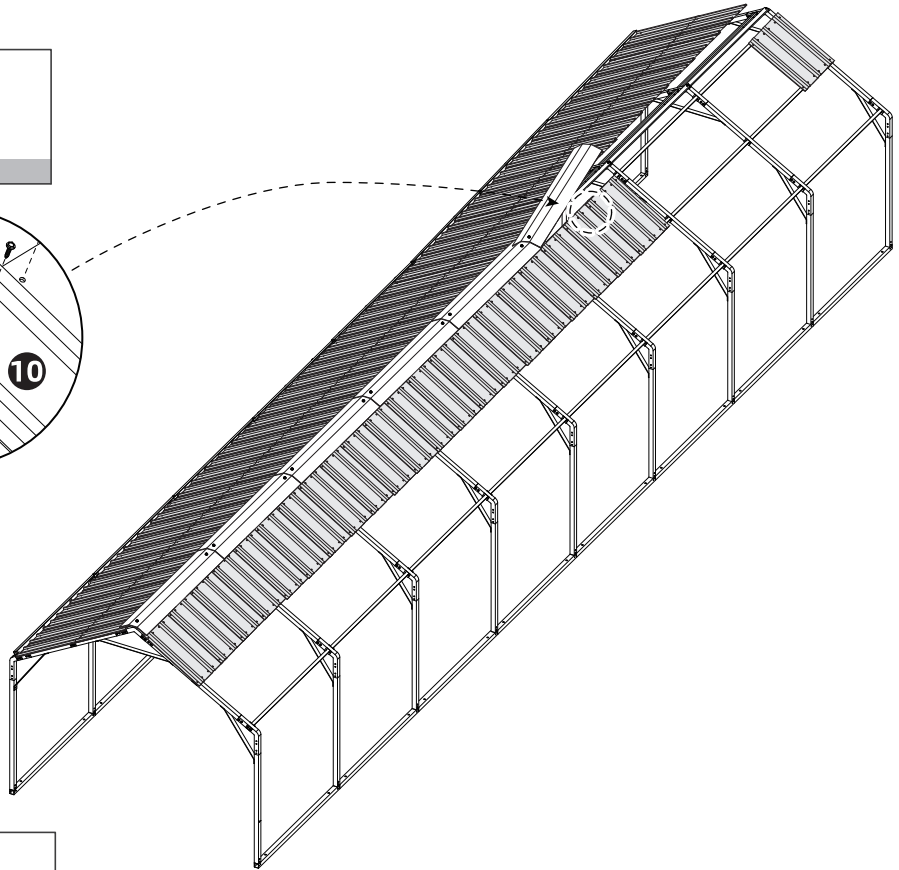
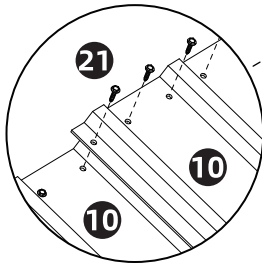
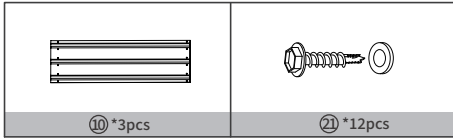
After the fourteenth 10# roof cover is installed, place the fifth 14# roof cover on the fourth 14# roof cover and then secure the two sides with two 21# screws (install the screw while avoiding the notch on the 5# pipe), and then move the fifth 14# roof cover to the side where the roof cover has already been installed, so as to continue installing the covers.

Step 17



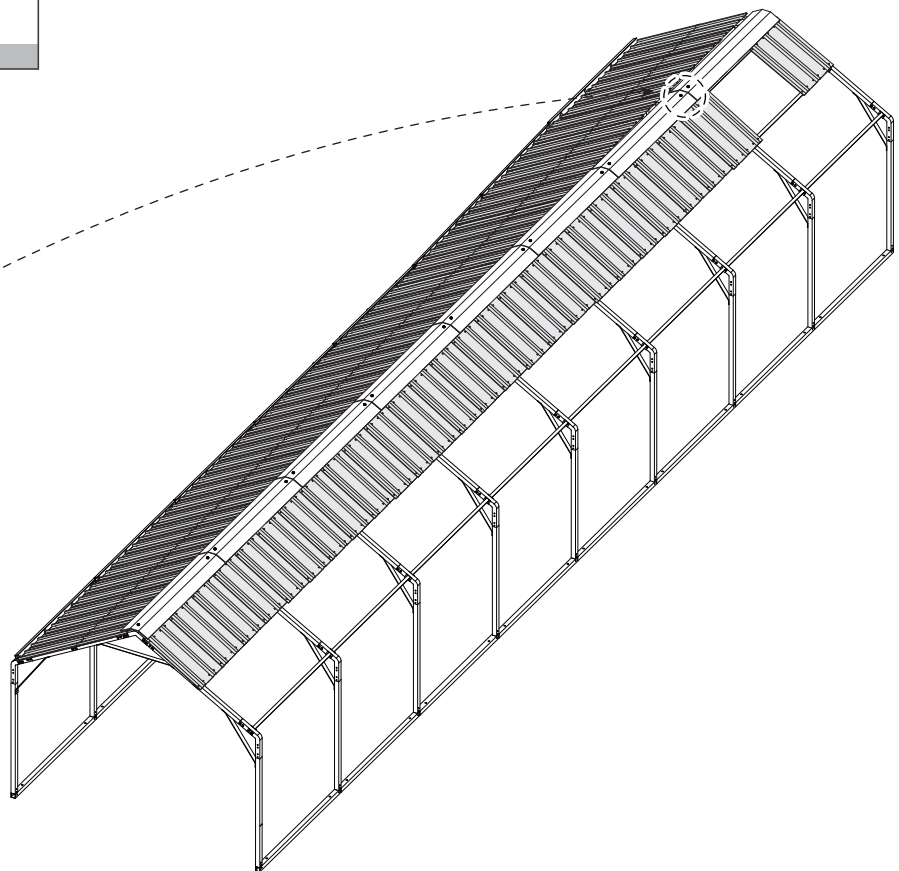
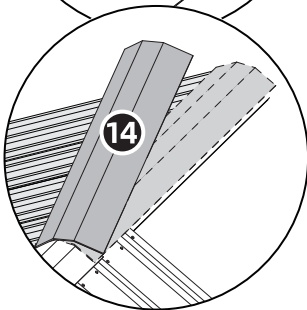
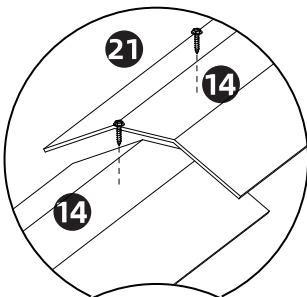
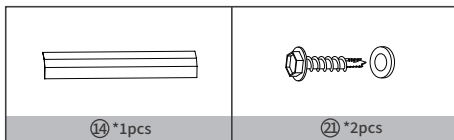
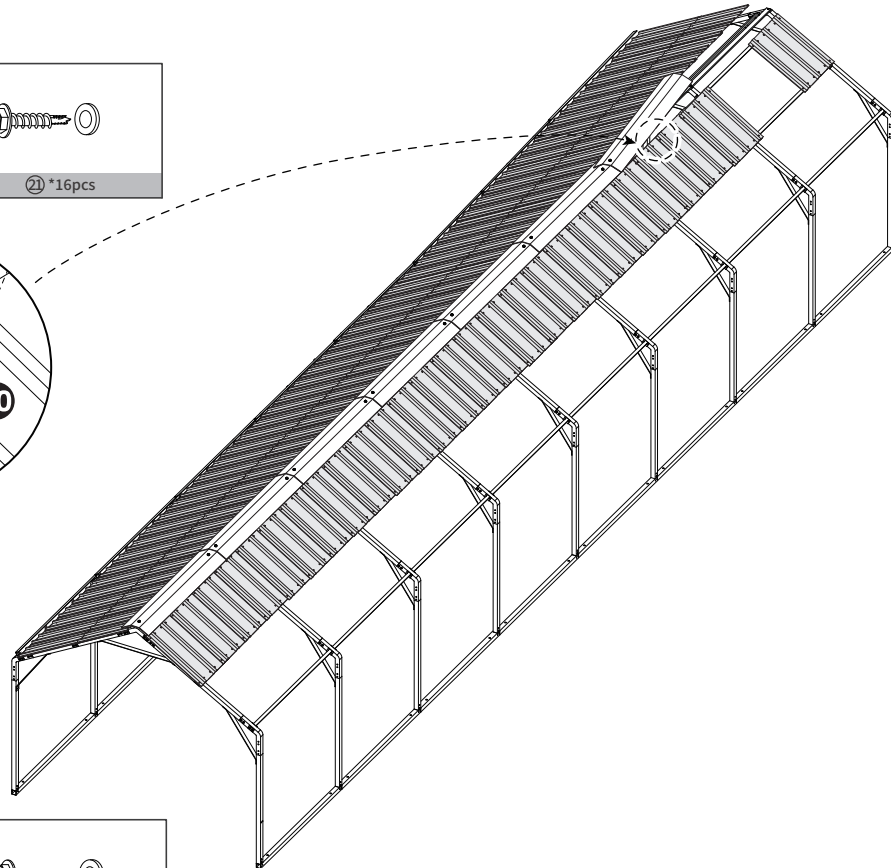
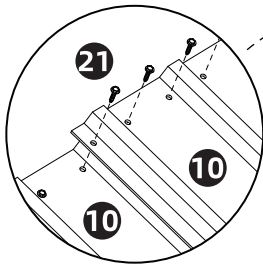
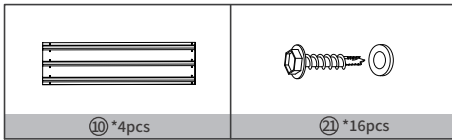
After the eighteenth 10# roof cover is installed, place the sixth 14# roof cover on the fifth 14# roof cover and then secure the two sides with two 21# screws (install the screw while avoiding the notch on the 5# pipe), and then move the sixth 14# cover to the side where the roof cover has already been installed, so as to continue installing the covers.

Step 18



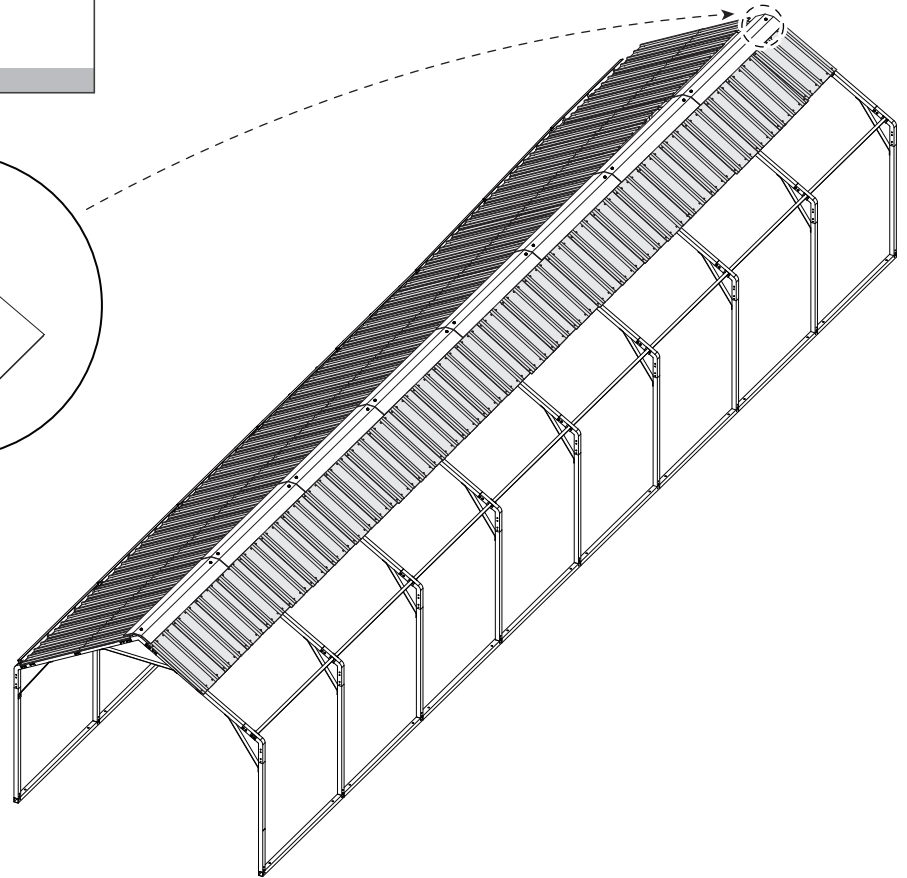
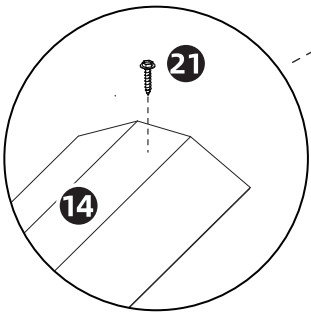
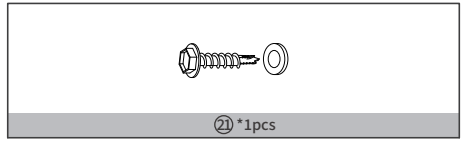
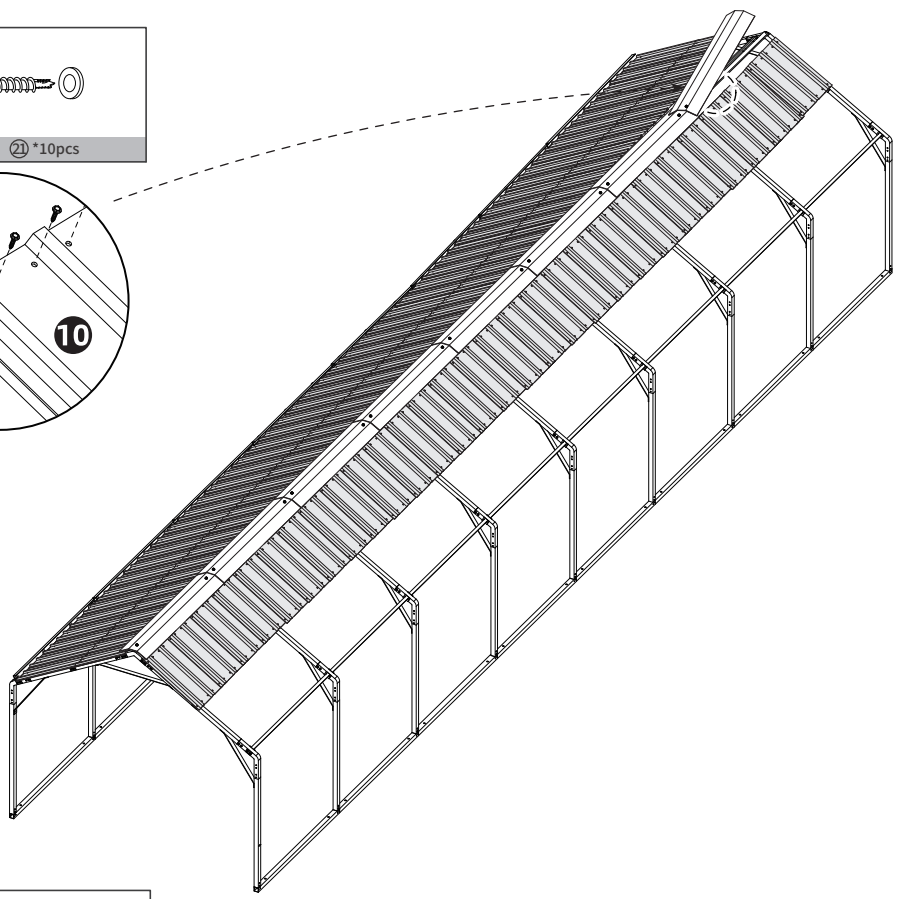
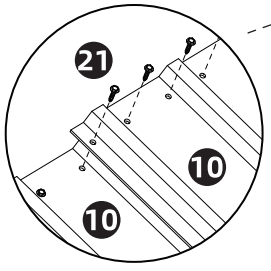
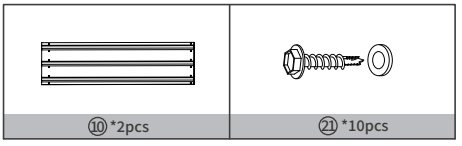
After the twenty-first 10# roof cover is installed, place the seventh 14# roof cover on the sixth 14# roof cover and then secure the two sides with two 21# screws (install the screw while avoiding the notch on the 5# pipe), and then move the seventh 14# roof cover to the side where the roof cover has already been installed, so as to continue installing the covers.

Step 19



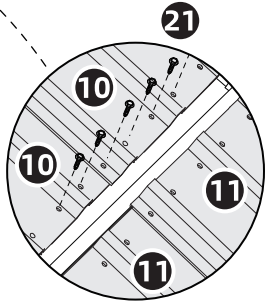
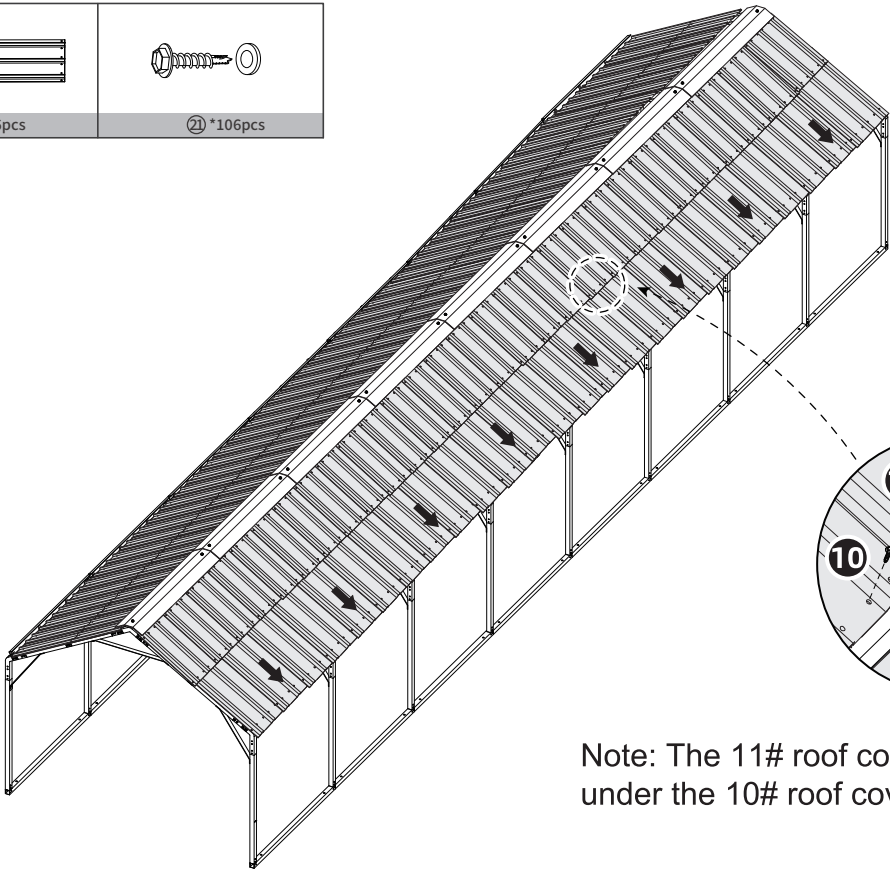
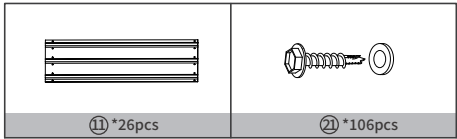
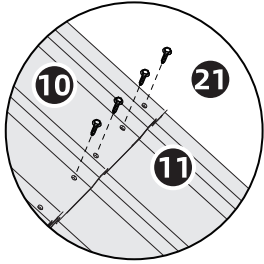
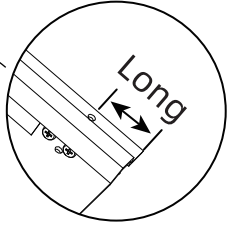
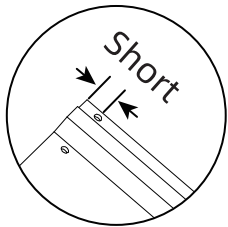
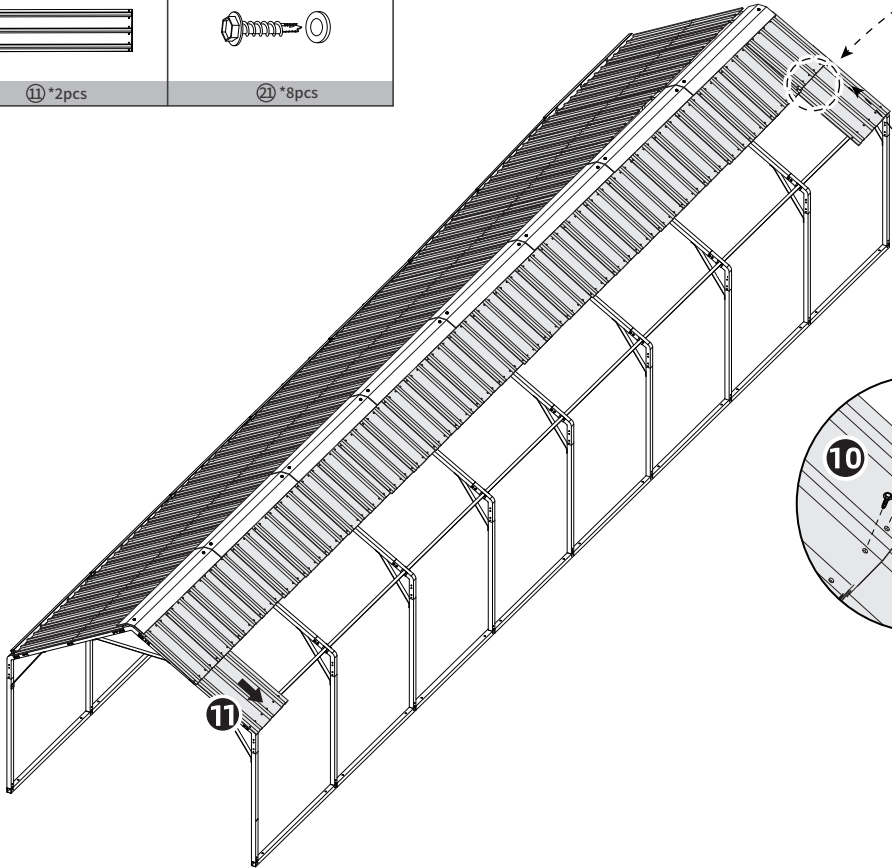
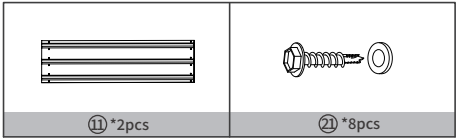
After the twenty-fifth 10# roof cover is installed, place the eighth 14# roof cover on the seventh 14# roof cover and then secure the two sides with two 21# screws (install the screw while avoiding the notch on the 5# pipe), and then move the eighth 14# roof cover to the side where the roof cover has already been installed, so as to continue installing the covers.

Step 20



After installing all the 10# roof covers, secure part 14# with 21# screws, and continue installing the 11# roof covers.

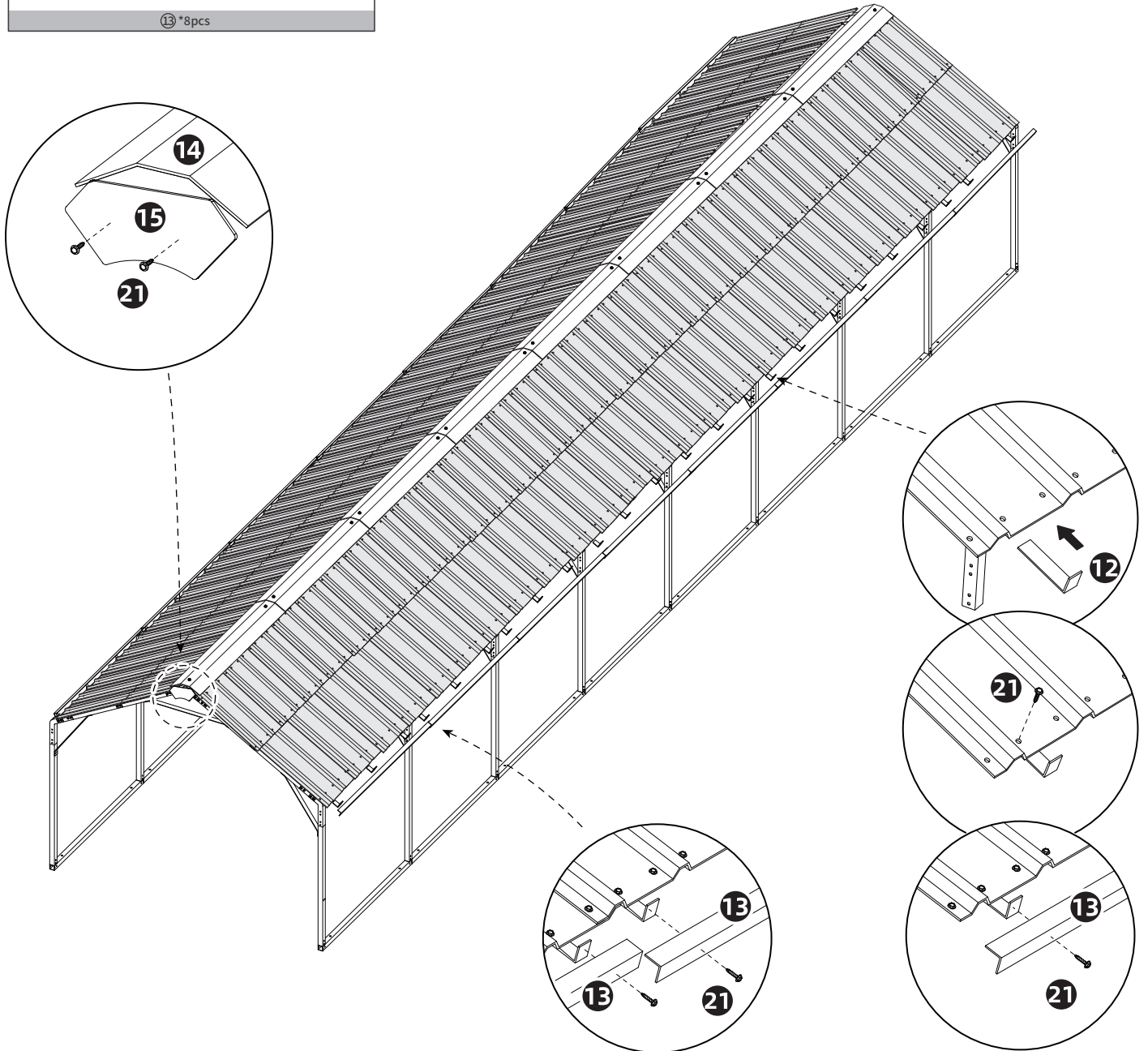
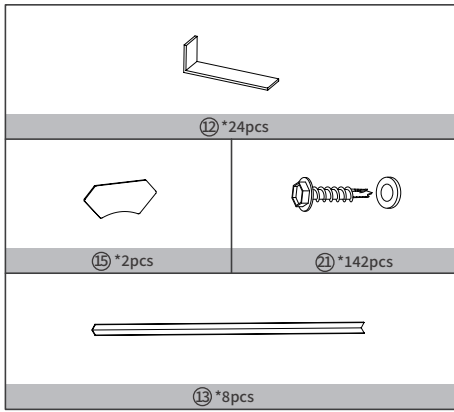
Step 21



Note: The 11# roof cover should be placed under the 10# roof cover.

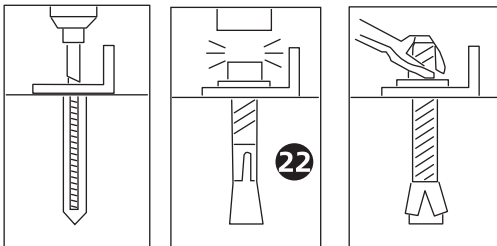
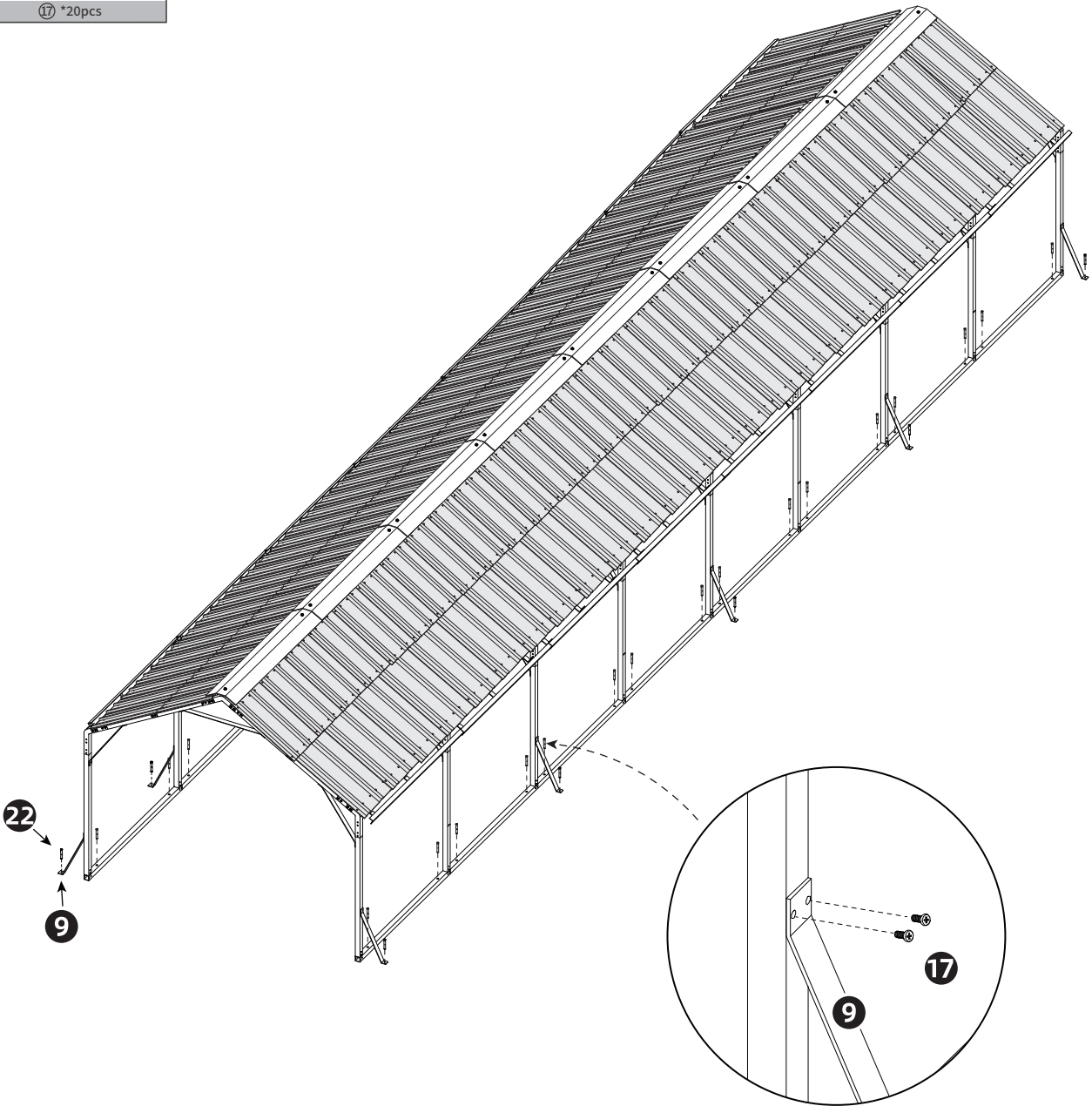
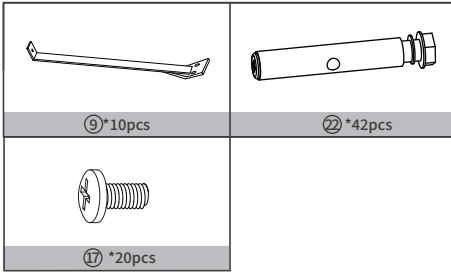
Continue with the installation of the 11# roof cover as per step 8, leaving the screws at the bottom of the roof cover for the next step.

Step 22



After all the roof covers are installed, secure parts 12# and 13# to the roof following the steps in 8. Finally, the two 15# parts are installed on the 1# parts at the front and back of the frame respectively.

Step 23 Anchor the Carport



Use 22# to fix 7#, 8# and 9# to the ground.