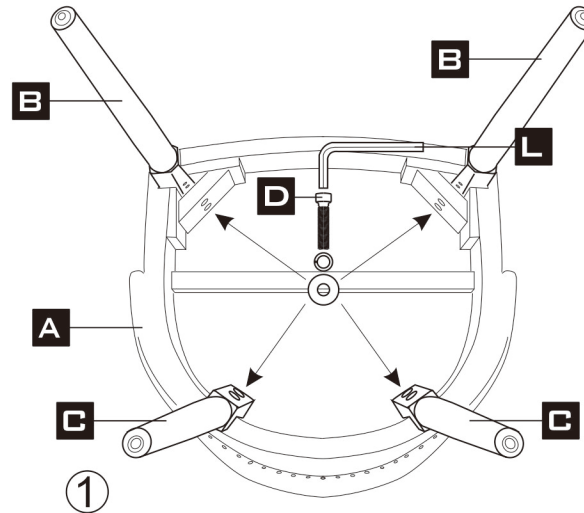
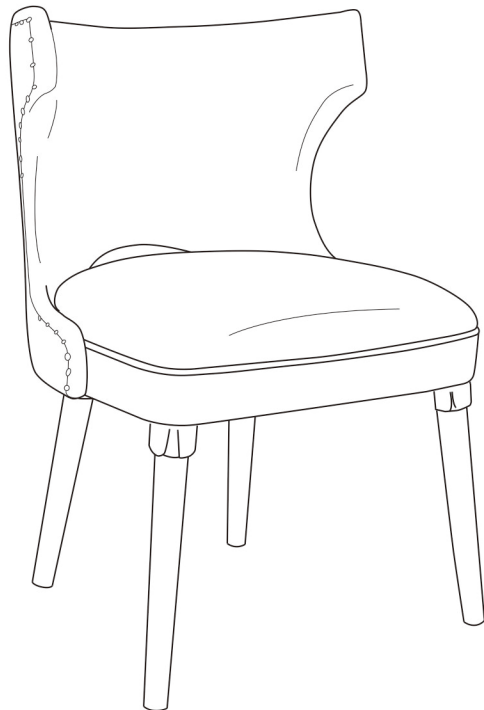
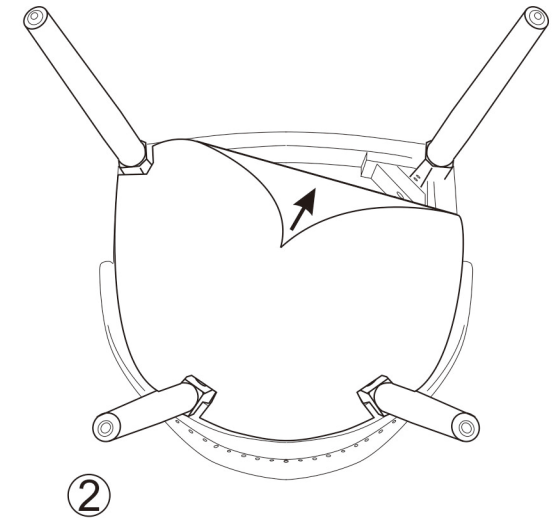


ASSEMBLING INSTRUCTION



①
Put the screws in the holes, tight the screws, but not too tight, 90% is ok



②
Stand the chair upright & ensure it is level before tightening all screws. Then tight all the screws to 100%. Then Stick the black part on the seat

<p>A x 1 PC</p>	<p>B x 2 PCS</p>
	<p>C x 2 PCS</p>
<p>D x 8 PCS</p> <p>(M8*55)</p>	<p>L x 1 PC</p> <p>M8</p>

Please find hardware pack inside the dust cover underneath seat cushion