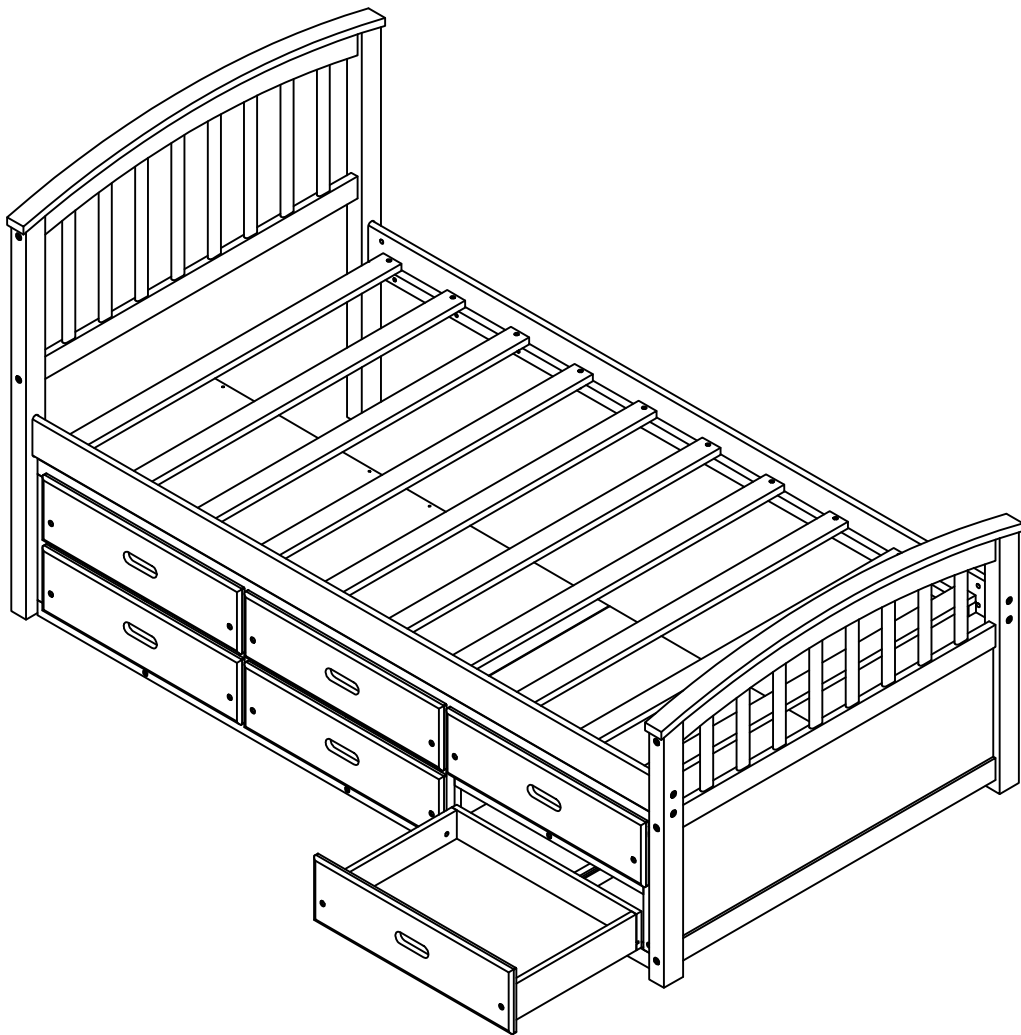


ASSEMBLY INSTRUCTIONS

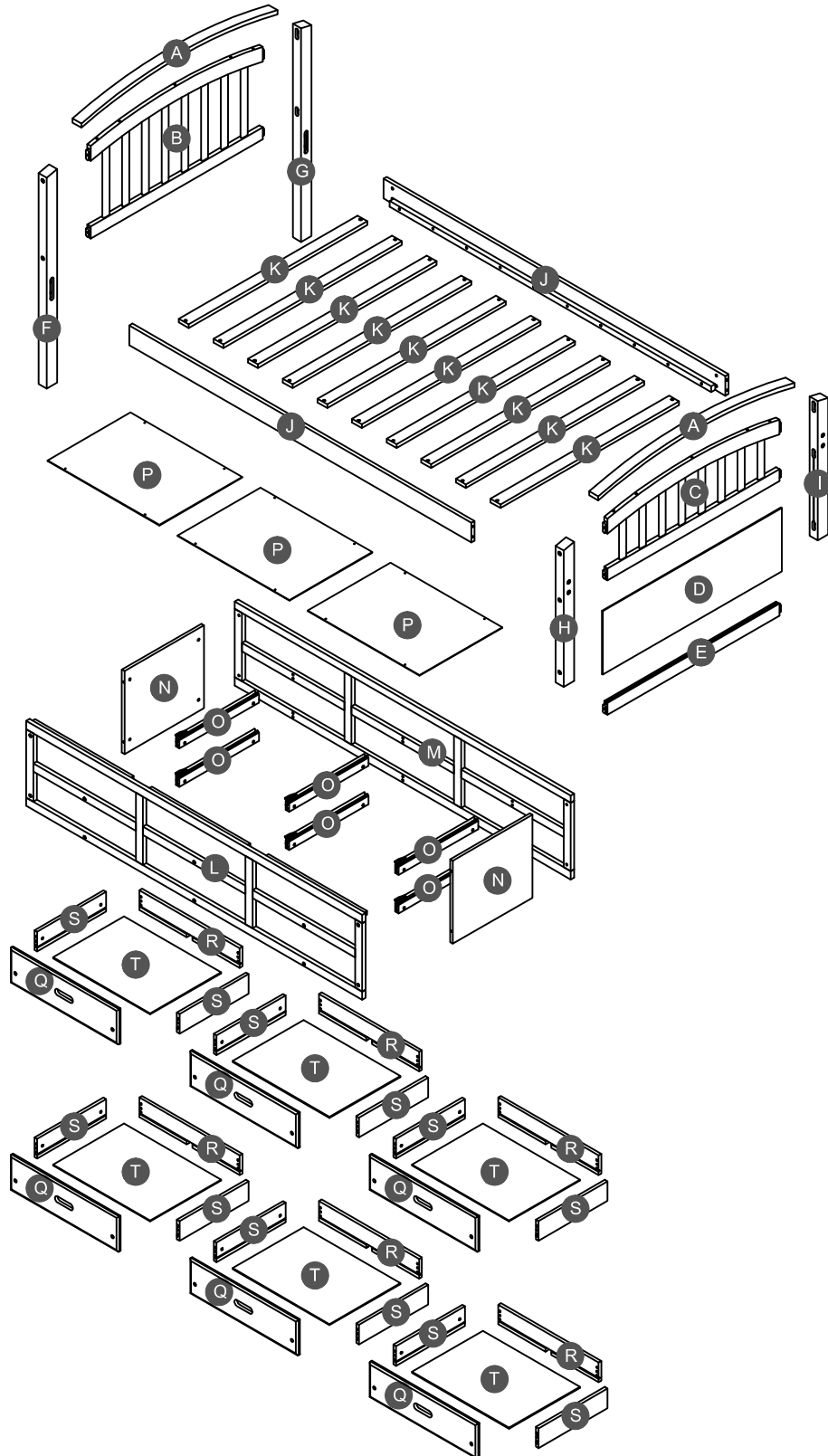
STORAGE BED





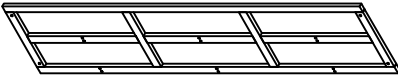

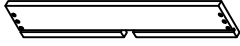
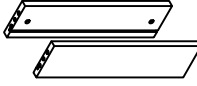

This set is included 2 boxes if don't receive full 2 boxes please contact our customer service team.

WF198041 / WF198042
N719P434431S / N719P434432S


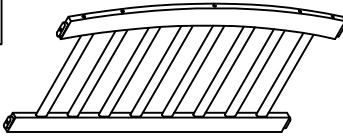
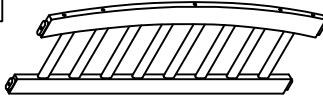
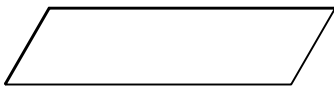

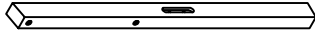
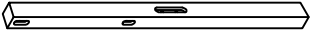
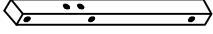
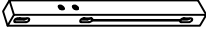
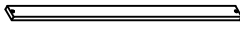
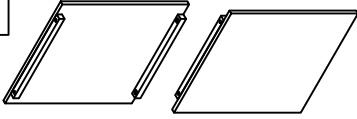
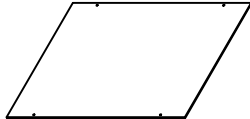

Detail View



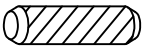

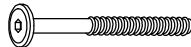
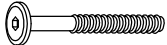







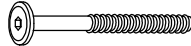
Part list & Hardware list (Box 1 - WF198041/N719P434431S)

<p>J</p>  <p>Side rail(Back & Front)-2pcs</p>	<p>L</p>  <p>Front panel - 1pc</p>	<p>M</p>  <p>Back panel - 1pc</p>
<p>Q</p>  <p>Drawer front - 6pcs</p>	<p>R</p>  <p>Drawer back - 6pcs</p>	<p>S</p>  <p>Drawer (left & right) - 12pcs</p>
<p>O</p>  <p>Lower slider drawer (6pcs)</p>		

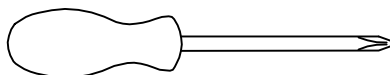
Part list (Box 2 - WF198042/N719P434432S)

<p>A</p>  <p>Cap for HB & FB - 2pcs</p>	<p>B</p>  <p>Headboard - 1pc</p>	<p>C</p>  <p>Footboard - 1pc</p>
<p>D</p>  <p>Side panel - 1pc</p>	<p>E</p>  <p>Horizontal bar - 1pc</p>	<p>F</p>  <p>Leg headboard (Left) - 1pc</p>
<p>G</p>  <p>Leg headboard (Right) - 1pc</p>	<p>H</p>  <p>Leg footboard (Left) - 1pc</p>	<p>I</p>  <p>Leg footboard (Right) - 1pc</p>
<p>K</p>  <p>Slats - 10pcs</p>	<p>N</p>  <p>Left & right side panel - 2pcs</p>	<p>P</p>  <p>Top panel - 3pcs</p>
<p>T</p>  <p>Drawer bottom - 6pcs</p>		

Hardware List (Box 1 - WF198041/N719P434431S)

1	 Ø8*30mm Wood dowel (54pcs)	2	 (Ø15)1/4"*100mm Hex-Head bolts (10pcs)	3	 (Ø12)1/4"*70mm Hex-Head bolts (4pcs)
4	 (Ø12)1/4"*60mm Hex-Head bolts (36pcs)	5	 (Ø12)1/4"*35mm Hex-Head bolts (8pcs)	6	 1/4"*15 (9.5mm) Horizontal-Hole bolts(54pcs)
7	 Ø4*30mm Wood screws (20pcs)	8	 400*30mm Upper slider drawer (6pcs)	9	 (1/4")4.5*58mm Allen key (1pc)
10	 Ø3.5*15mm Wood screws (18pcs)	11	 Ø3.5*19mm Wood screws (12pcs)	12	 (Ø15)1/4"*80mm Hex-Head bolts (8pcs)



ASSEMBLY TOOLS REQUIRED (NOT INCLUDED)

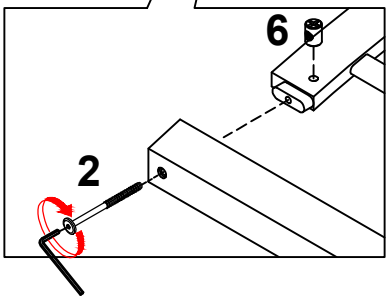
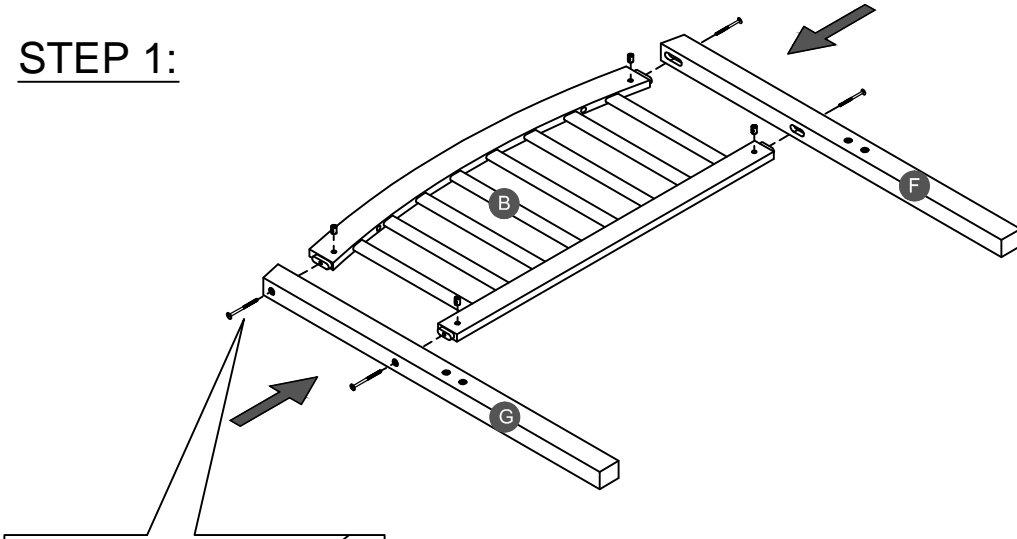


PLEASE BE CAREFUL DO NOT DAMAGE THE HOLE POSITION WHEN YOU USE POWER TOOLS !

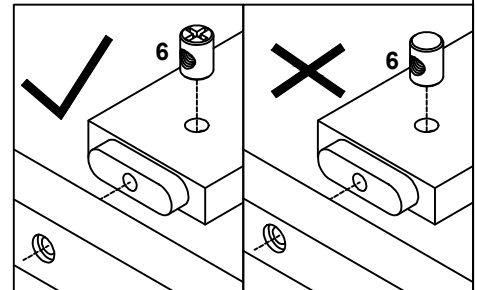
Make sure to tighten all the screws of the bed.

STEP 1:



2		6	
4PCS		4PCS	

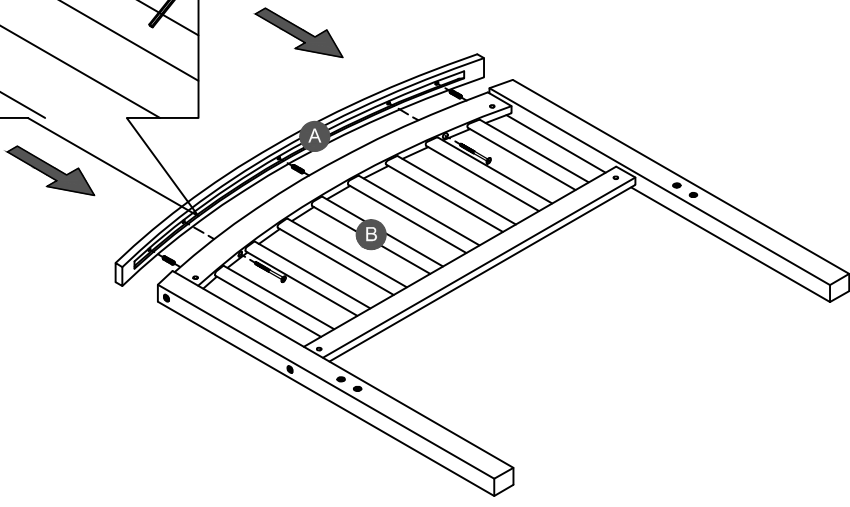
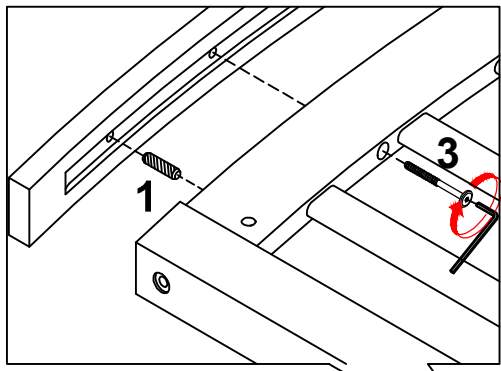


Note: Part 6 will face up with the "x" mark on it, otherwise it cannot be tightened

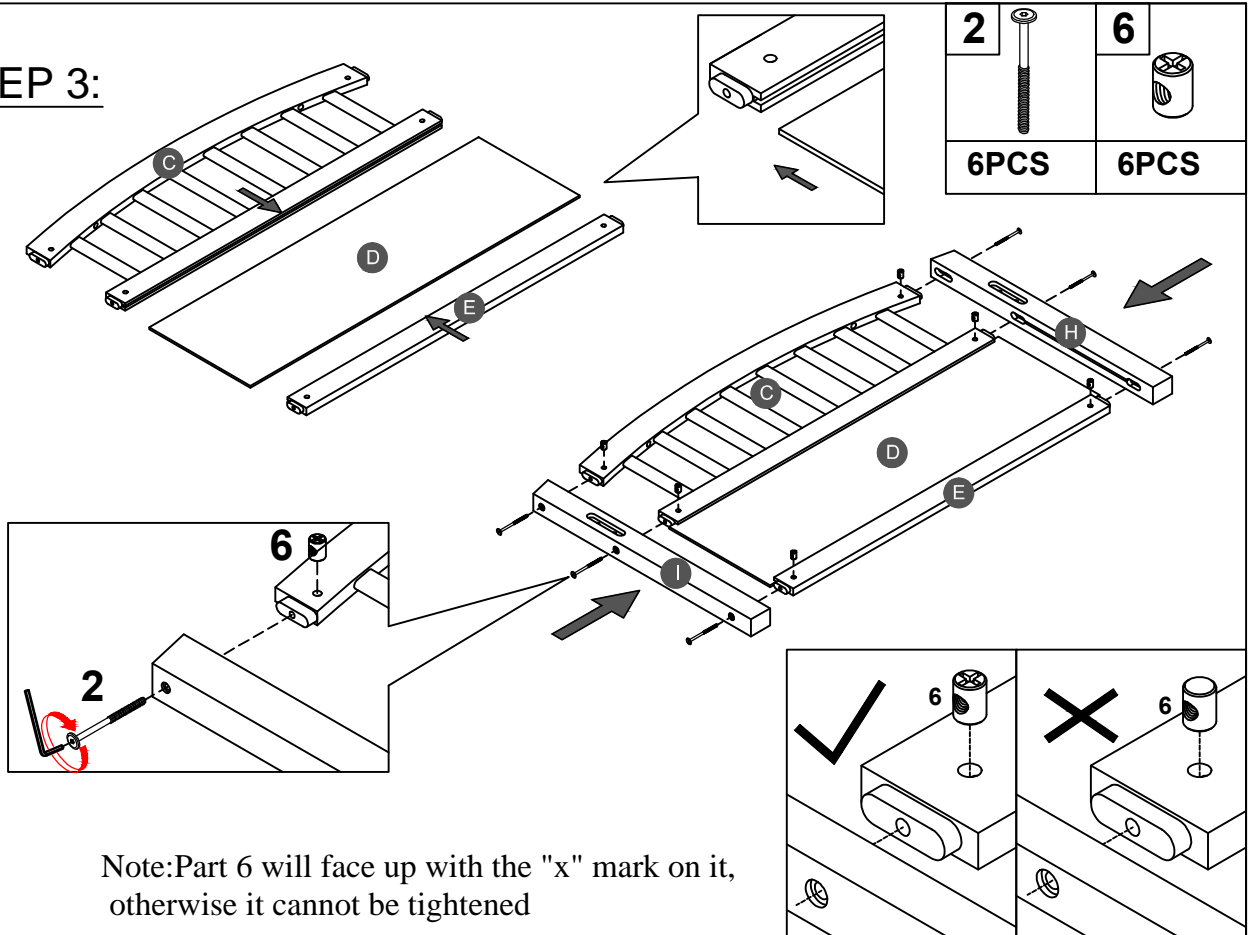


STEP 2:

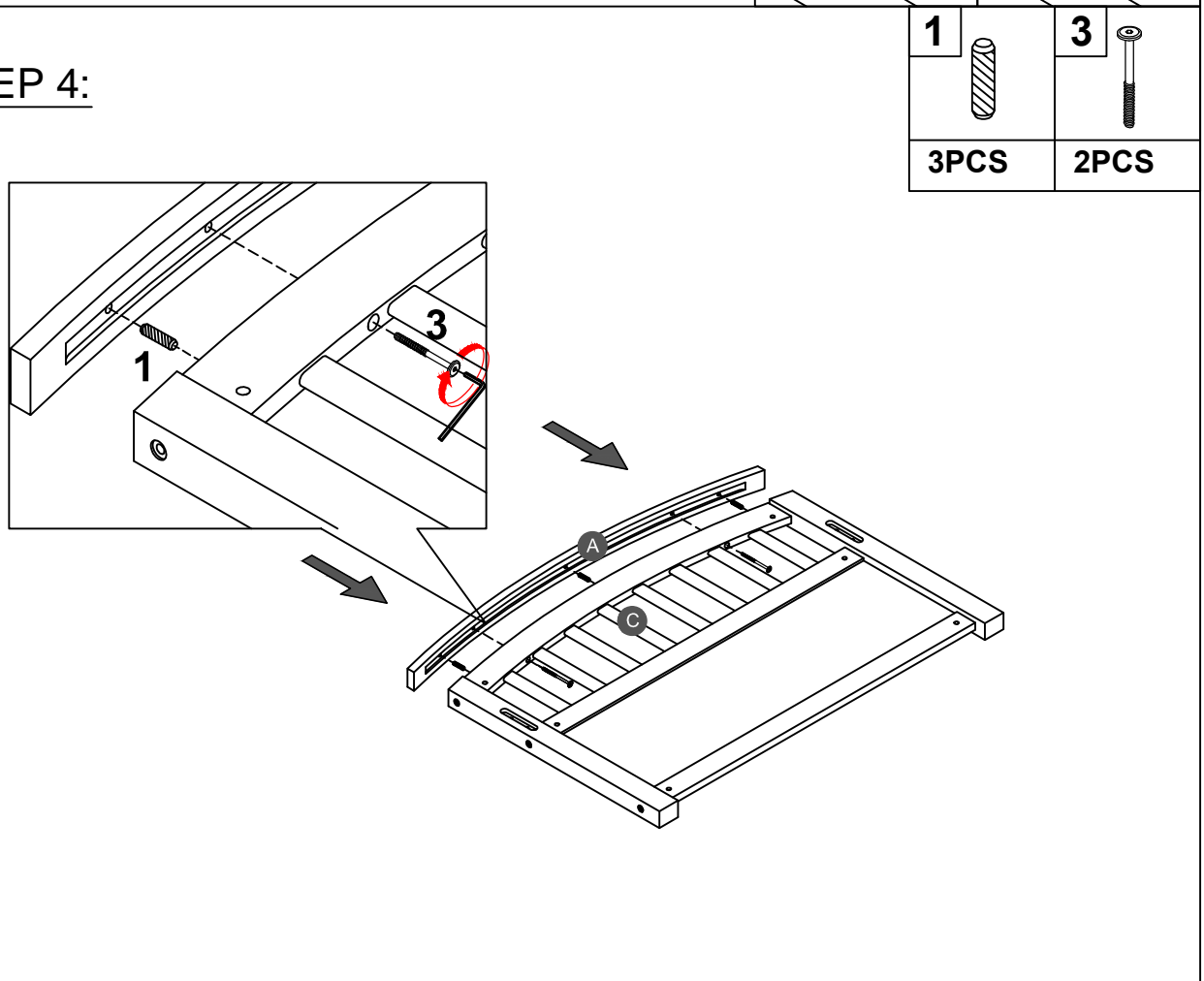
1		3	
3PCS		2PCS	



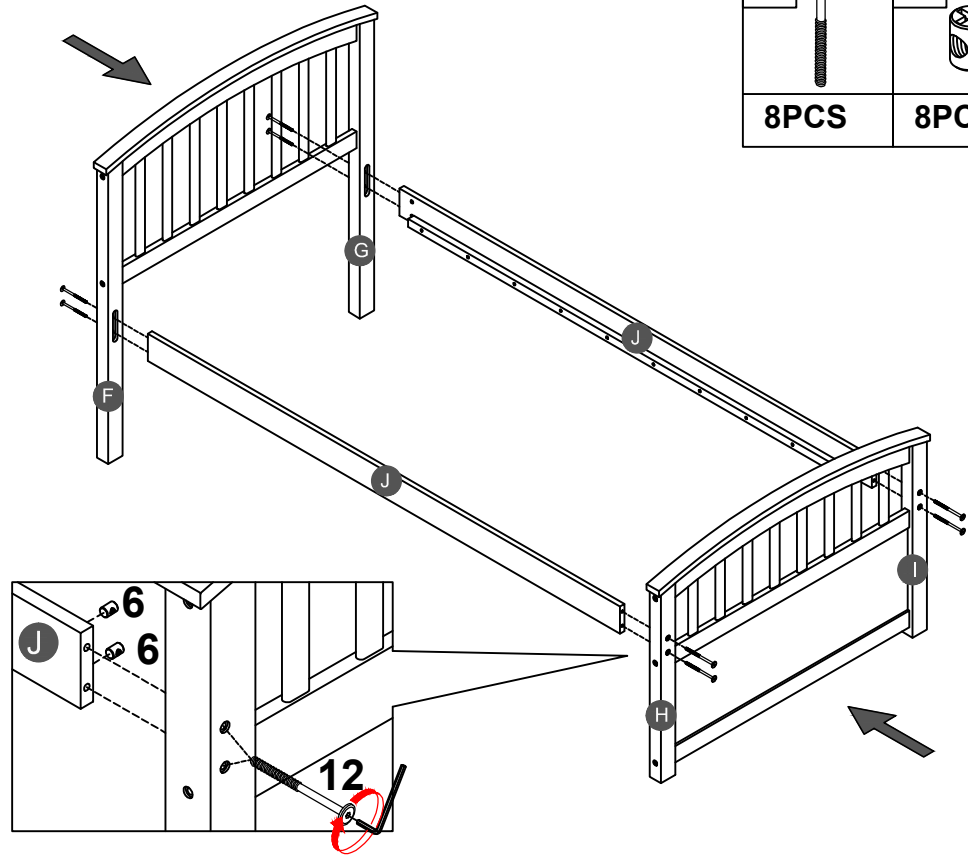
STEP 3:





STEP 4:

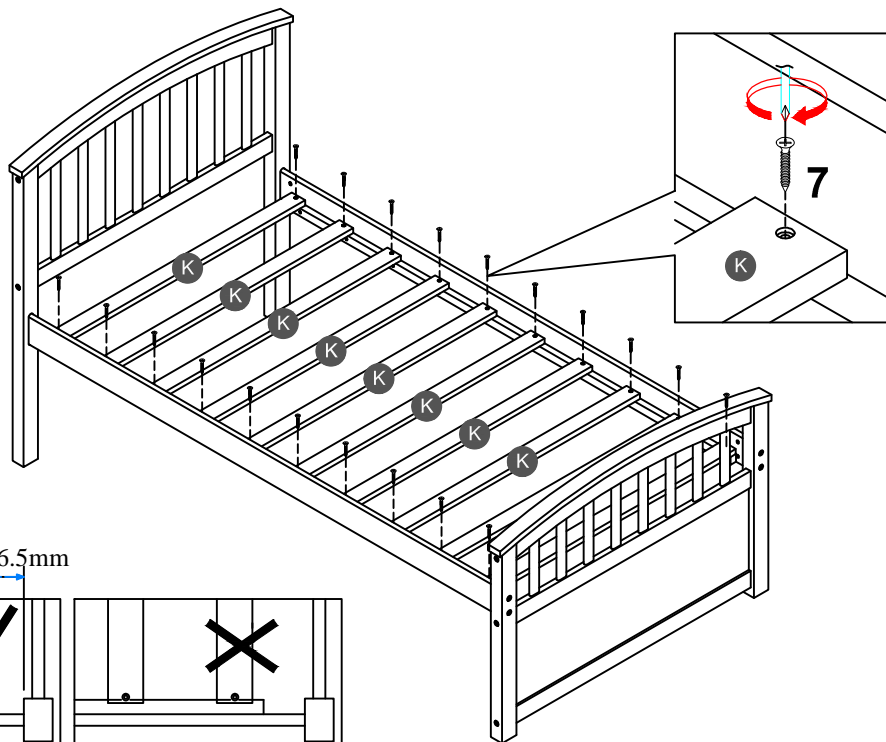



STEP 5:

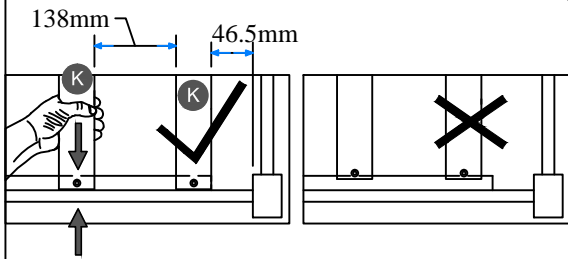


12		6	
8PCS		8PCS	

STEP 6:

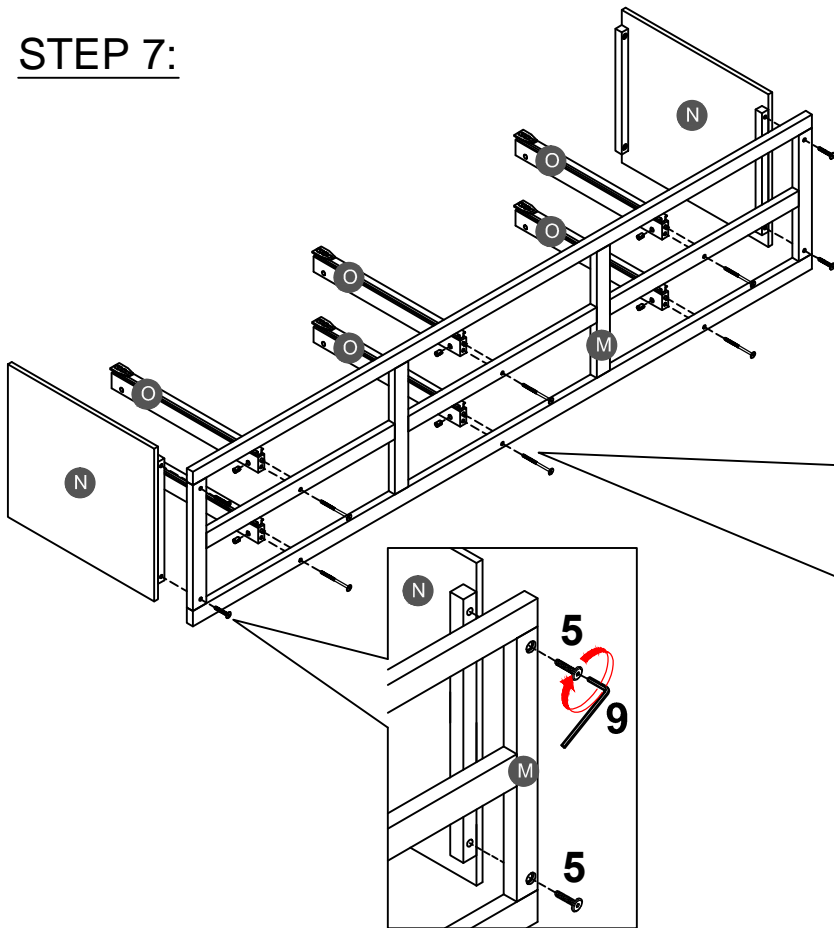





7	
20PCS	

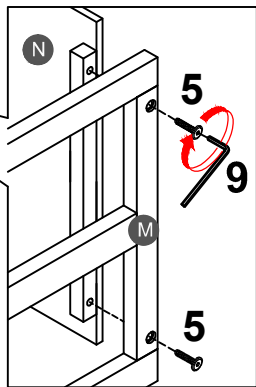
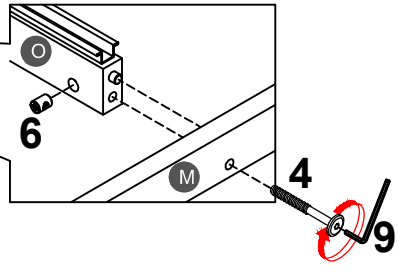


NOTE: Please make sure the bed slats close to the side rail before locking the screws to avoid breakage. This step is required for both the left and right sides. Moreover, please do not lock the screws of the bed slats at the outermost edge to avoid damaging.

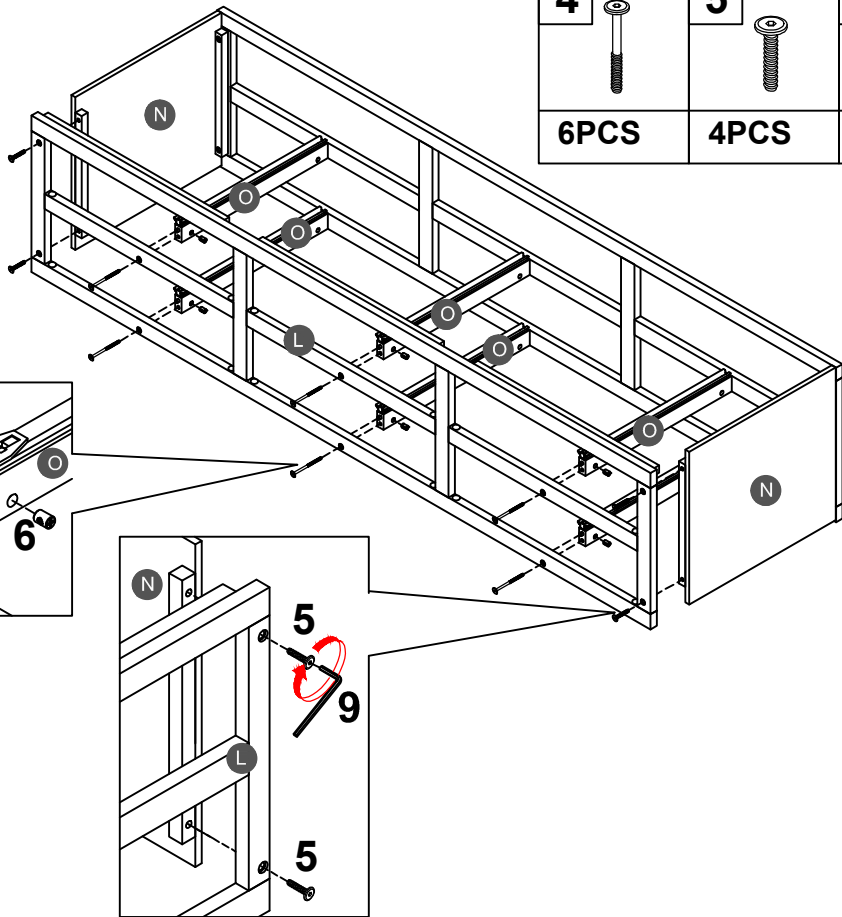
STEP 7:

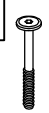




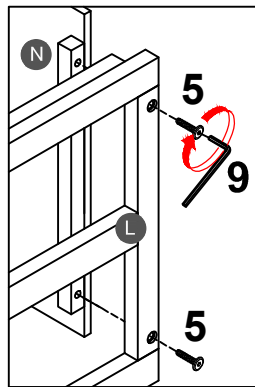
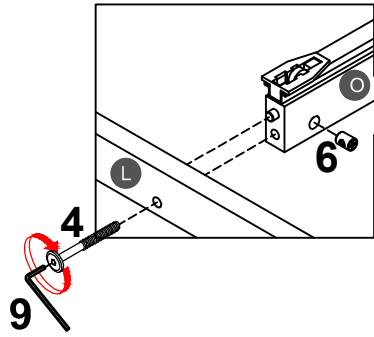
4 	5 	6 
6PCS	4PCS	6PCS



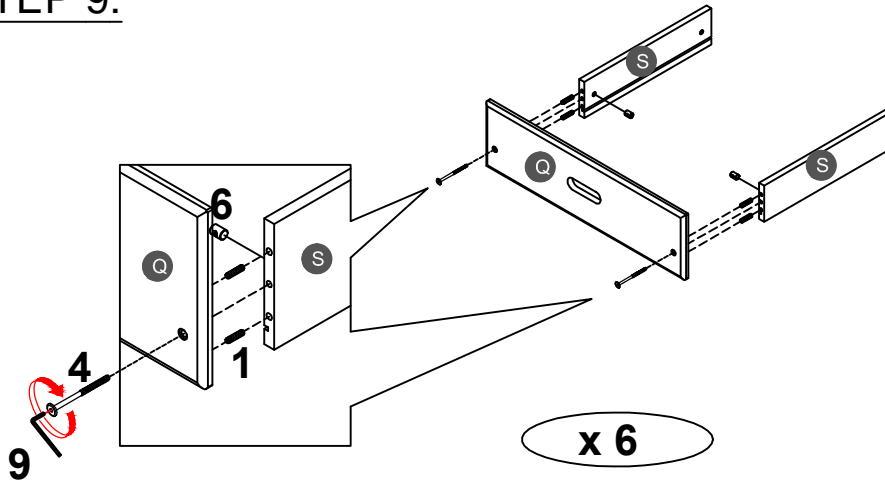
STEP 8:



4 	5 	6 
6PCS	4PCS	6PCS

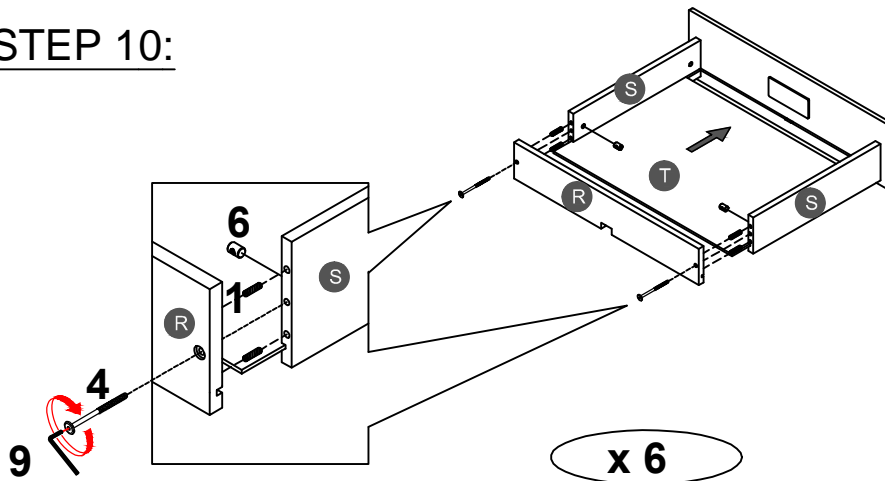


STEP 9:



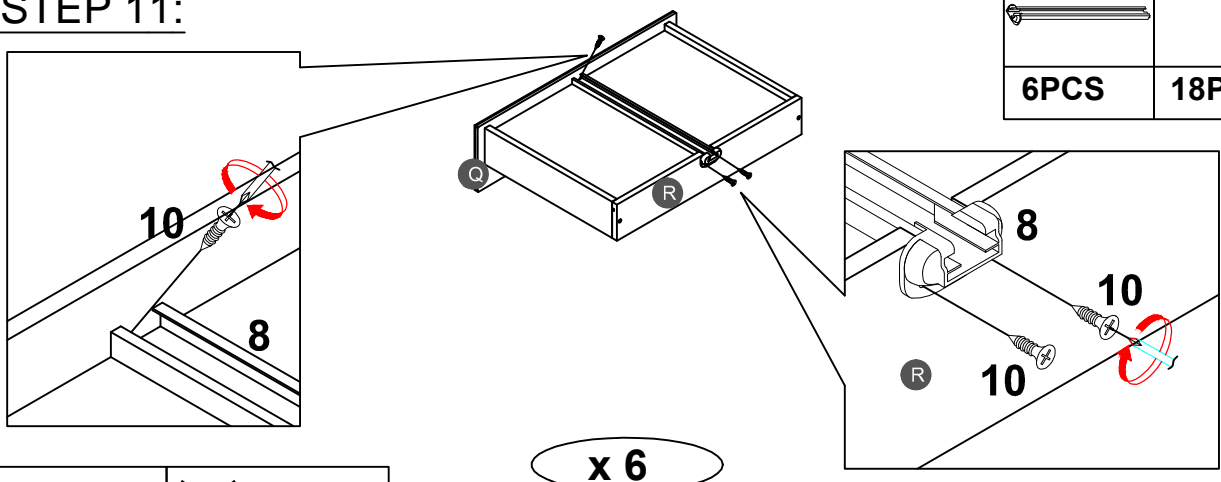
1		6	
24PCS		12PCS	
		4	
		12PCS	

STEP 10:

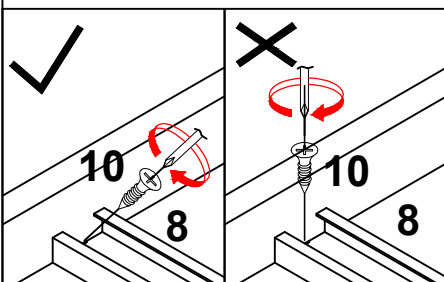


1		6	
24PCS		12PCS	
		4	
		12PCS	

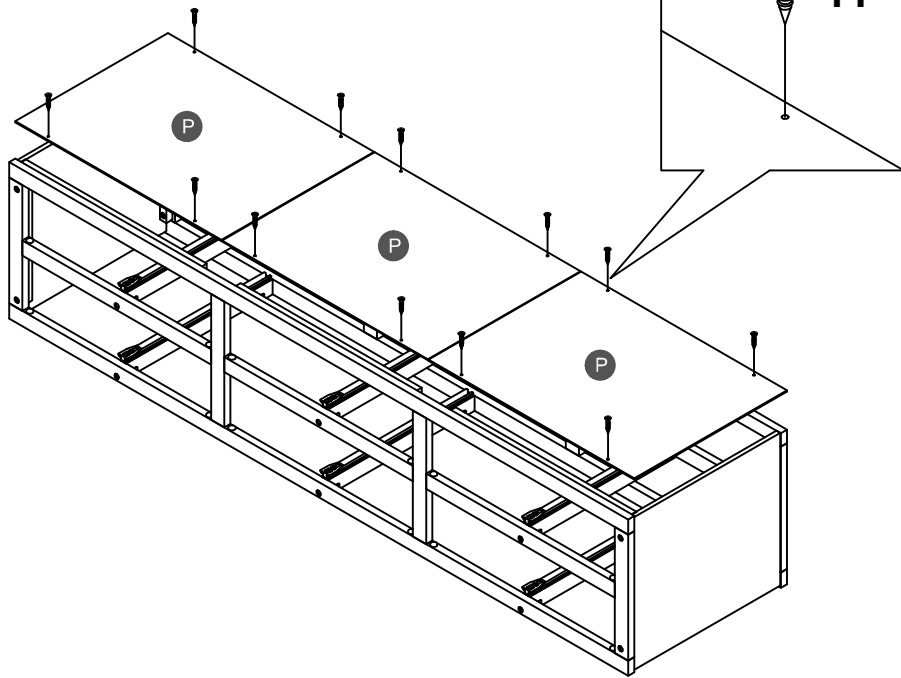
STEP 11:




8		10	
6PCS		18PCS	

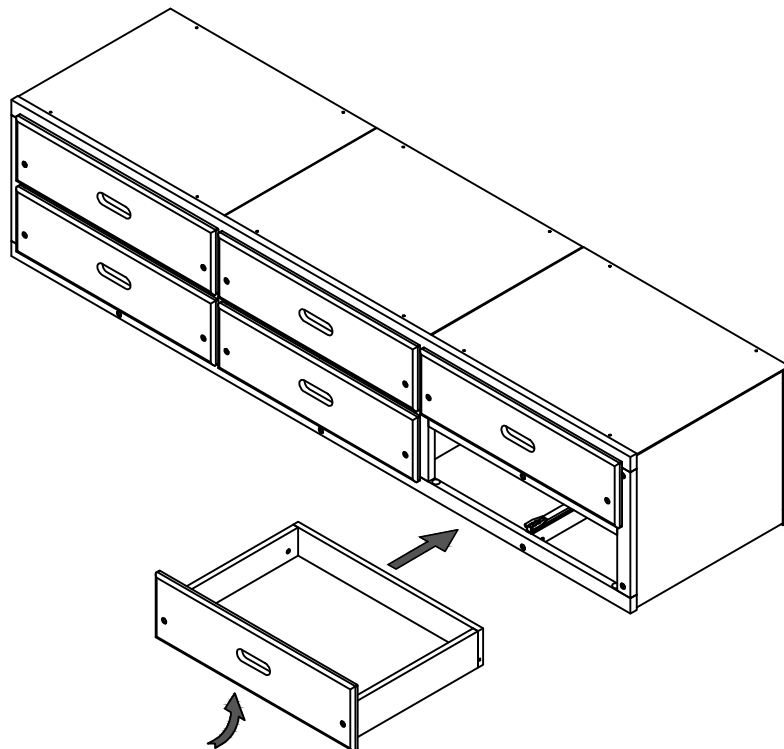


STEP 12:



11

12PCS

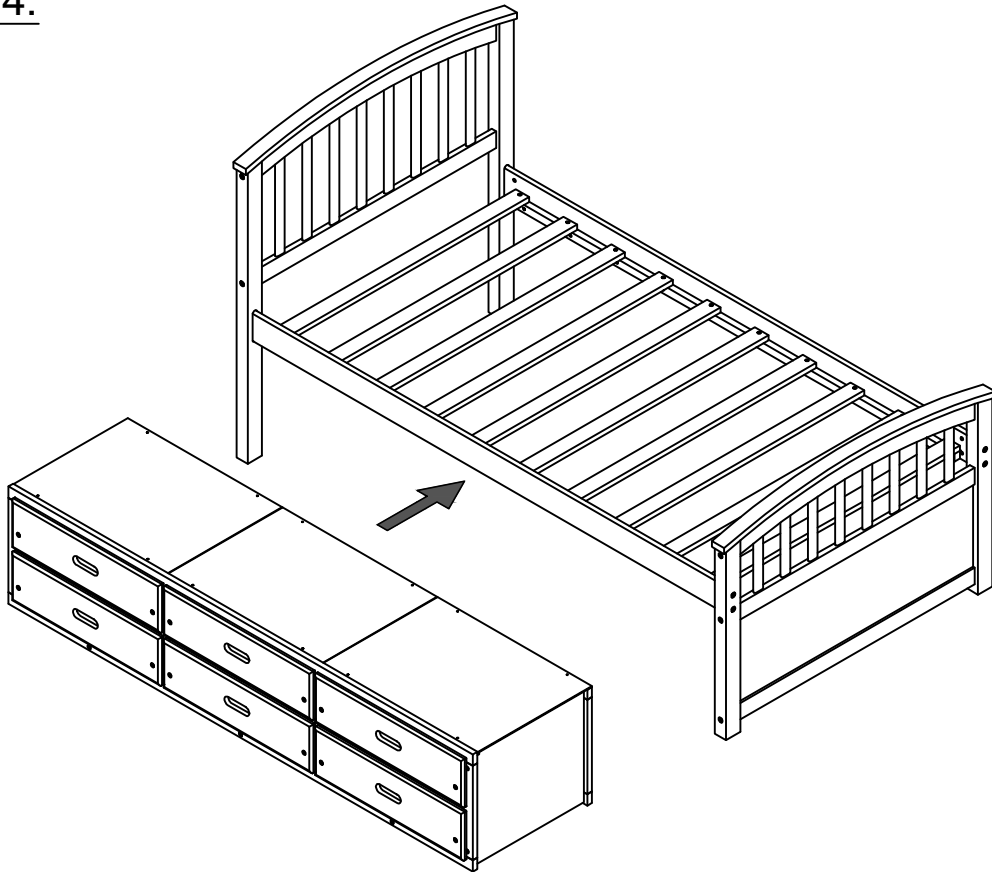
STEP 13:



Push Drawer under the bottom of storage bed.

**Remark: When opening or closing the drawer,
Please lift the drawer slightly before opening or closing it.**

STEP 14:



Move storage under the bottom of Twin bed.

