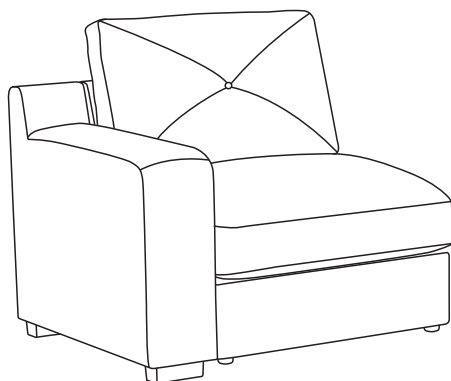


ASSEMBLY INSTRUCTION

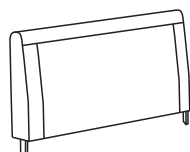


PARTS LIST



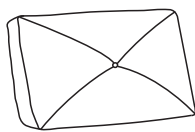
A

X1



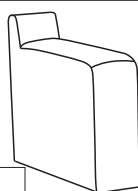
B

X1



C

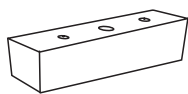
X1



D

X1

HARDWARE LIST



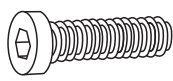
1

X2



2

X4



M8X60

3

X2



M5

4

X1

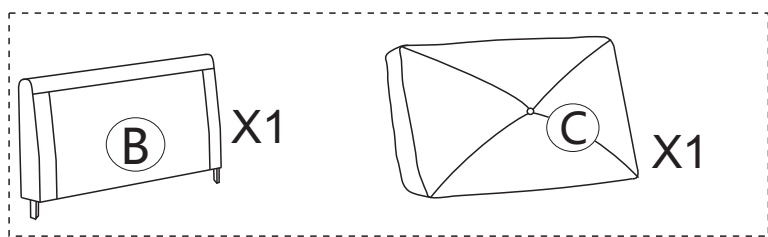


M5X50

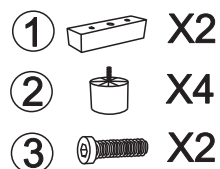
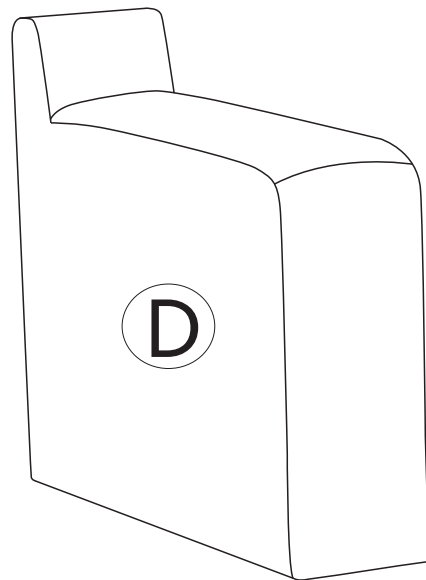
5

X4

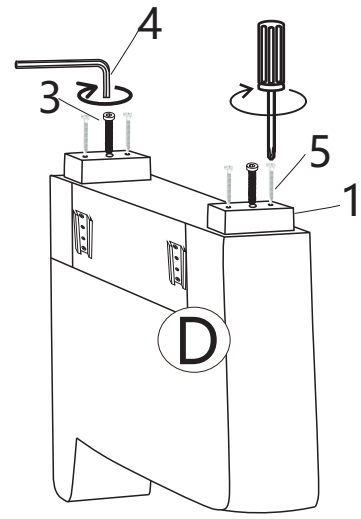
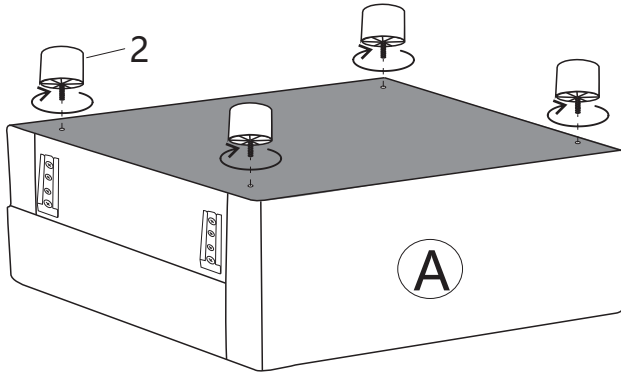
BOX-1



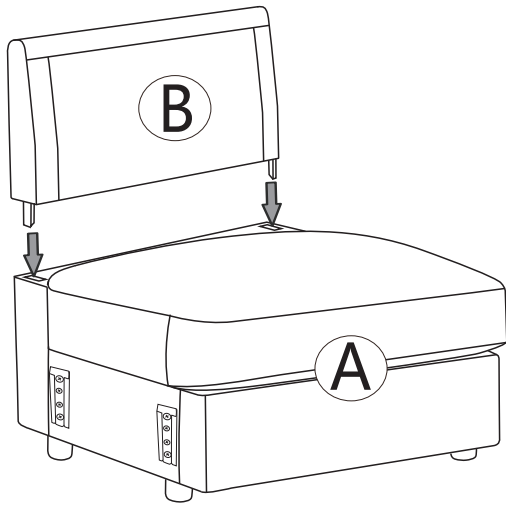
BOX-2



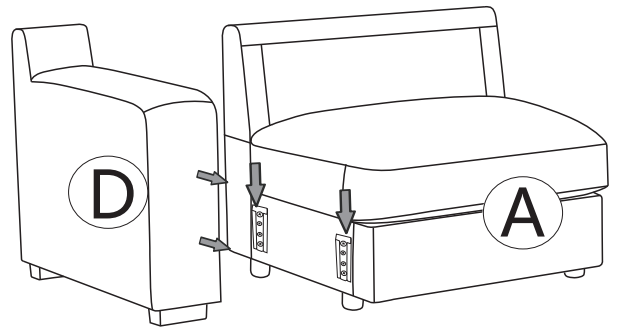
Step 1



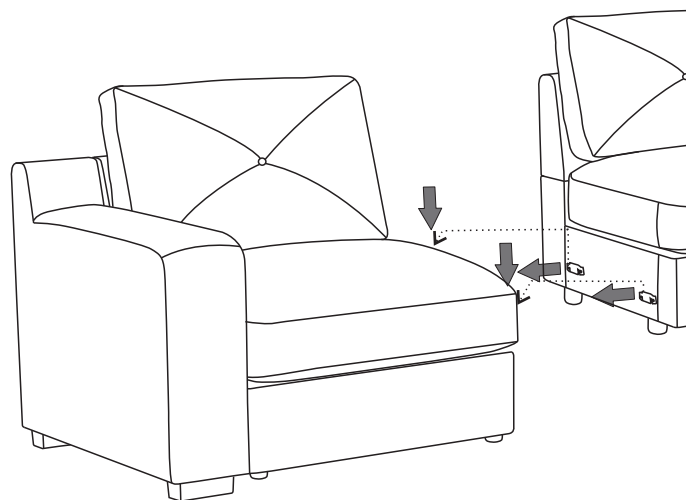
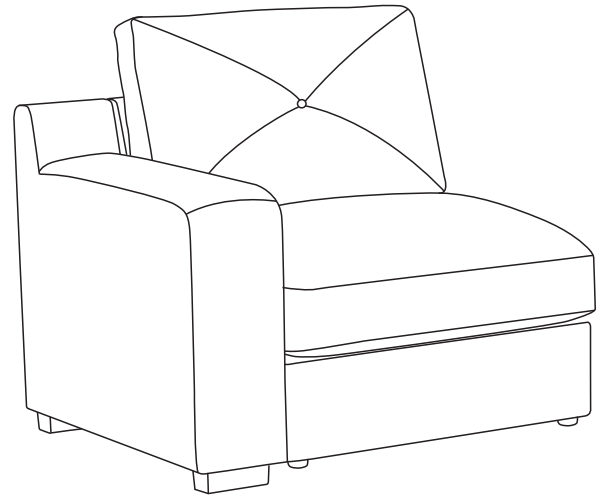
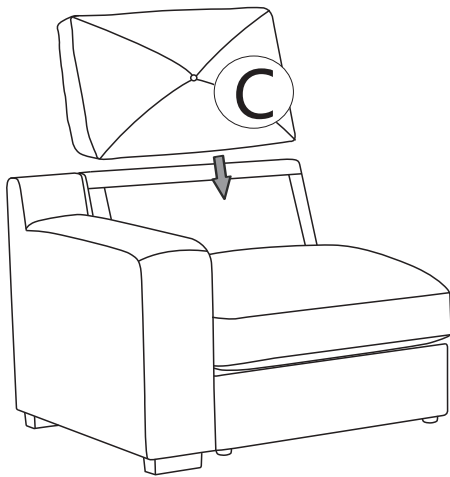
Step 2



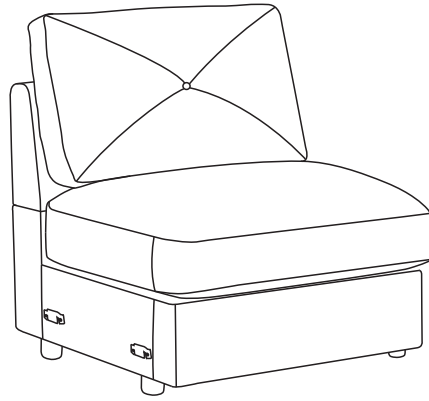
Step 3



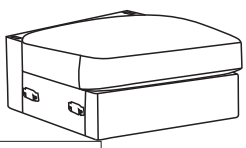
Step 4



ASSEMBLY INSTRUCTION

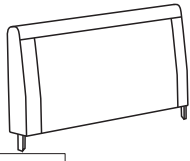


PARTS LIST



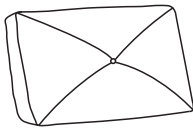
A

X1



B

X1



C

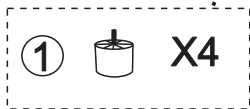
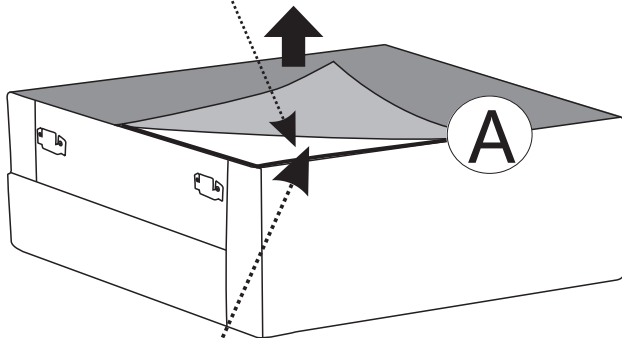
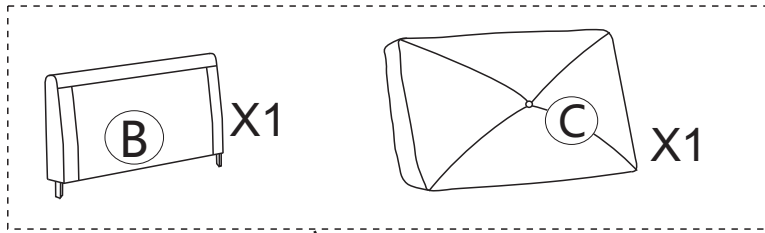
X1

HARDWARE LIST

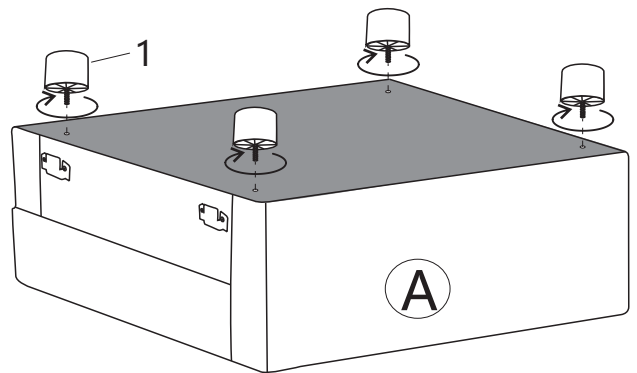


1

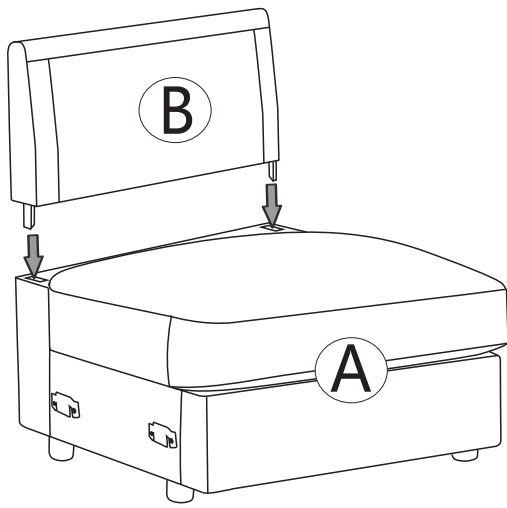
X4



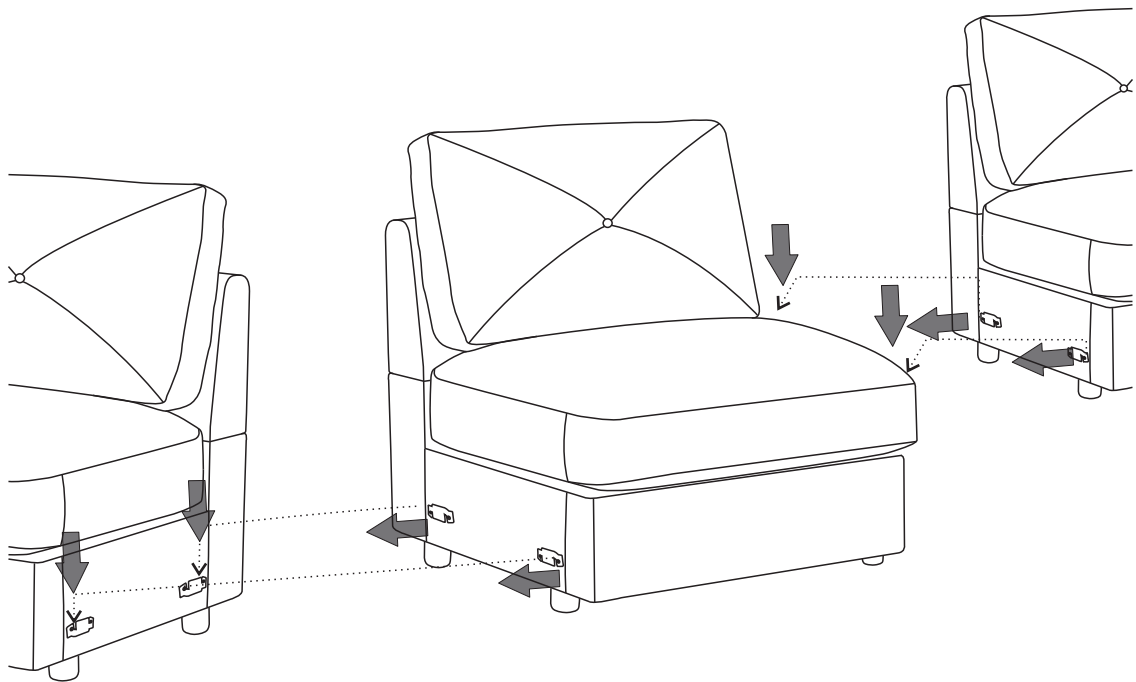
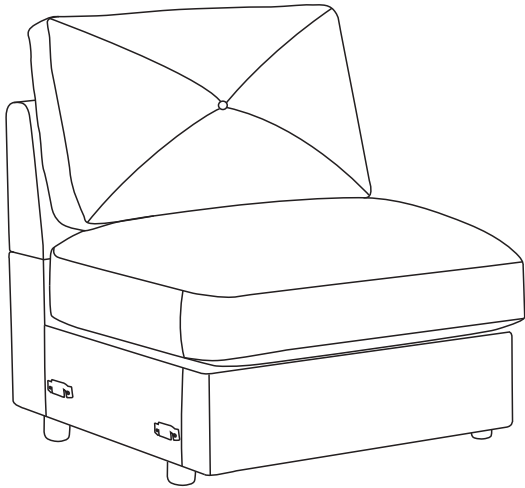
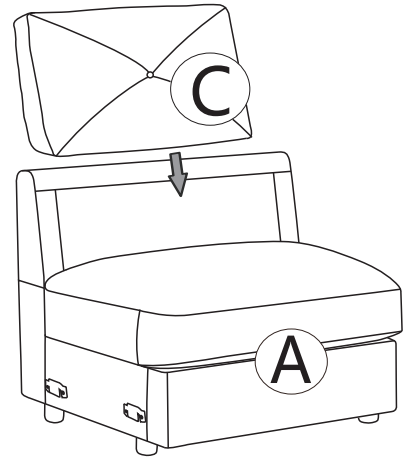
Step 1



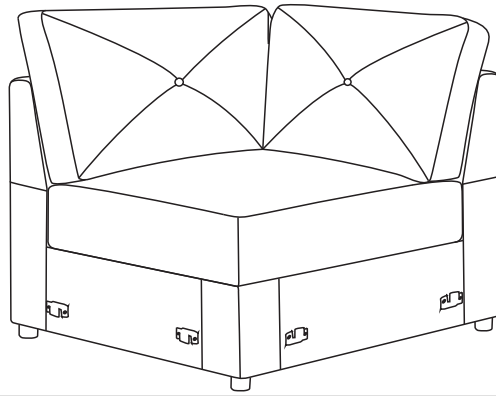
Step2



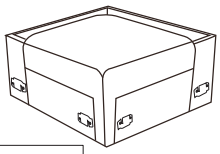
Step3



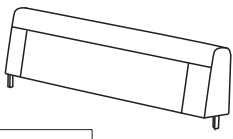
ASSEMBLY INSTRUCTION



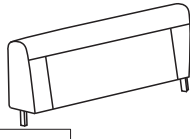
PARTS LIST



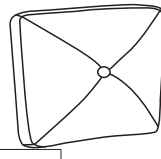
A X1



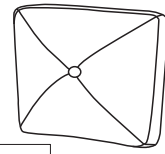
B X1



C X1



D X1

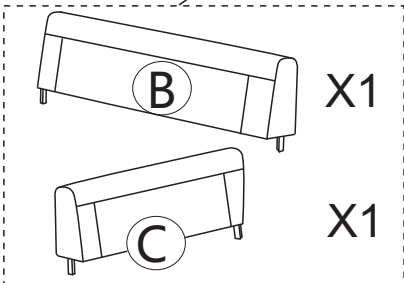
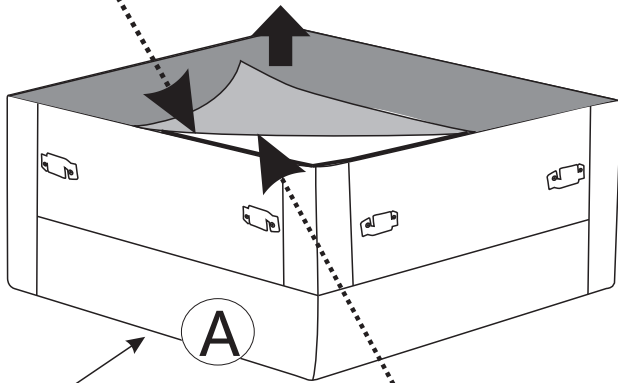


E X1

HARDWARE LIST

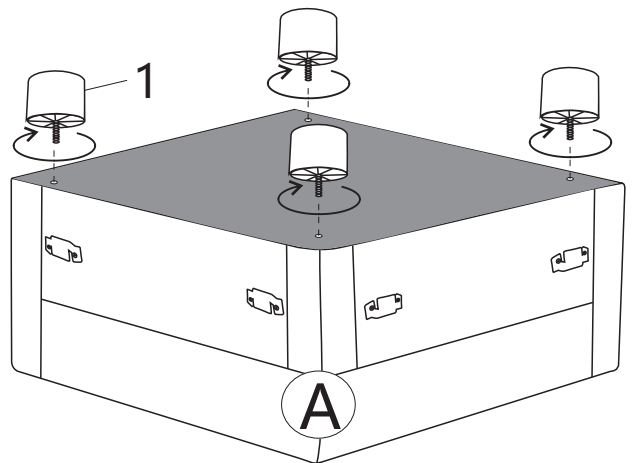


1 X4

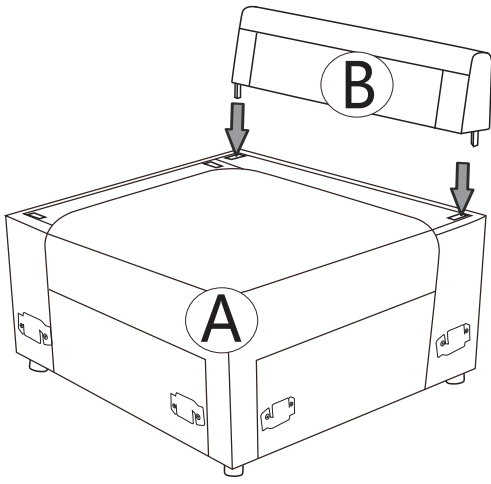


1 X4

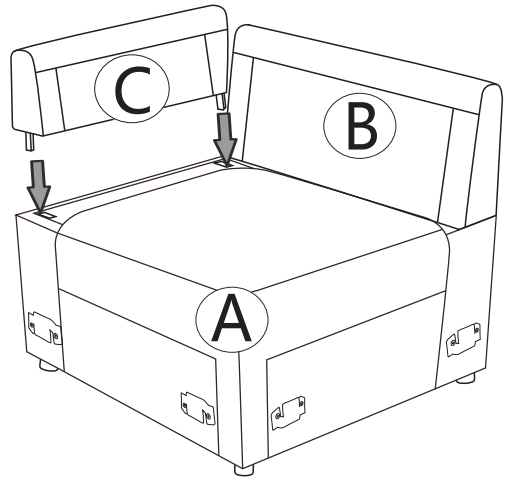
Step 1



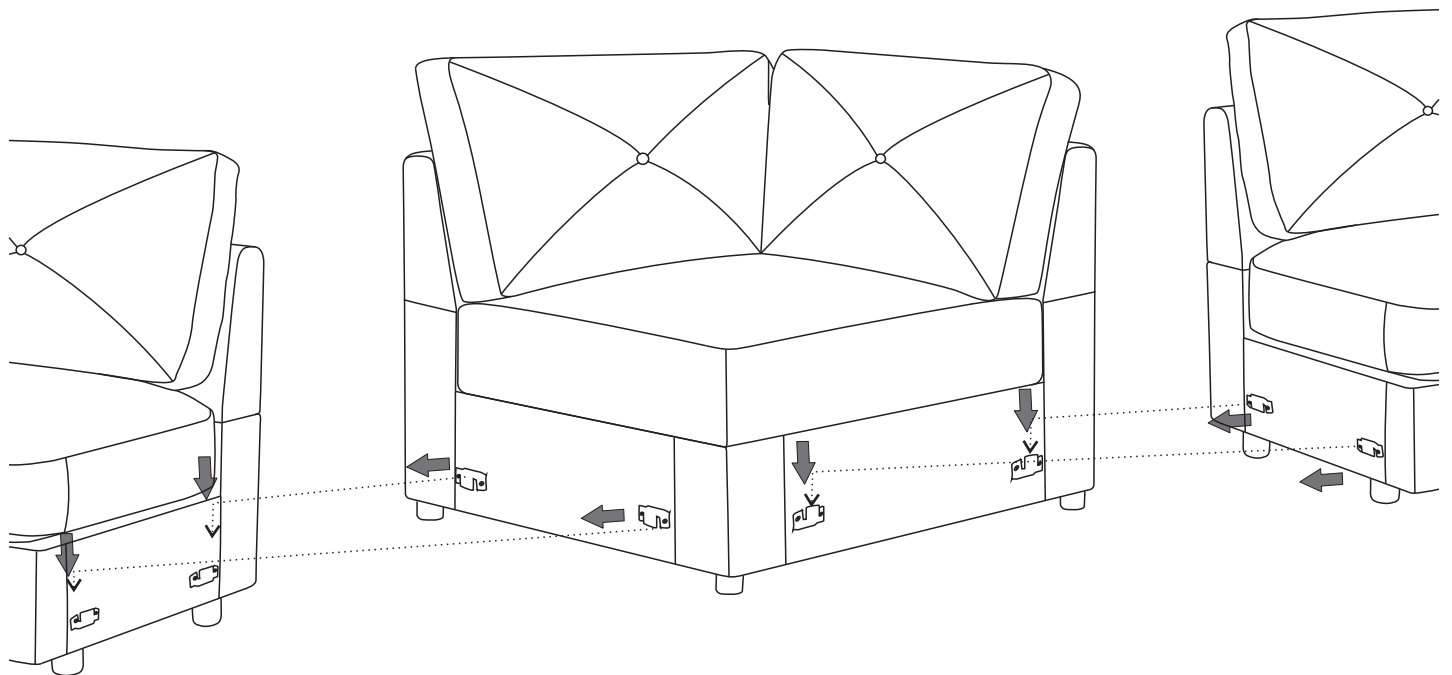
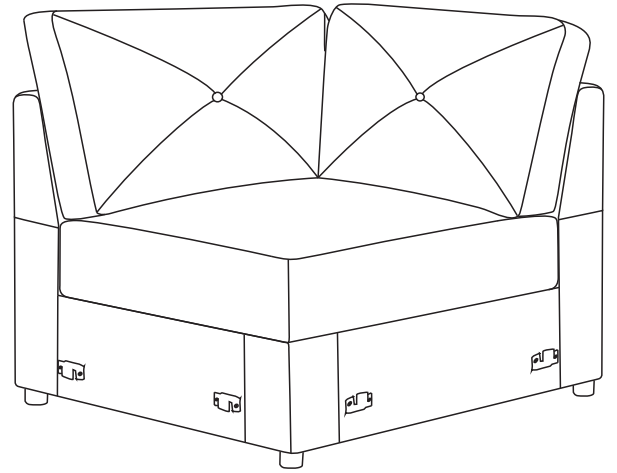
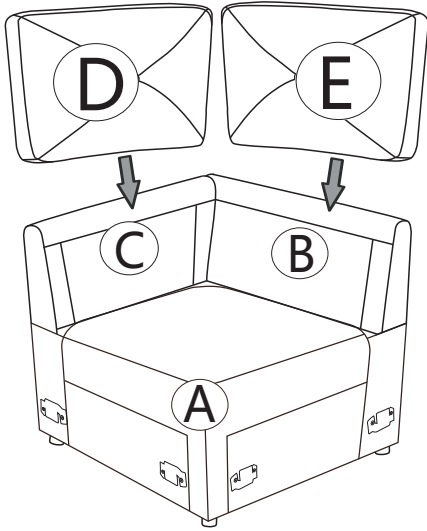
Step2



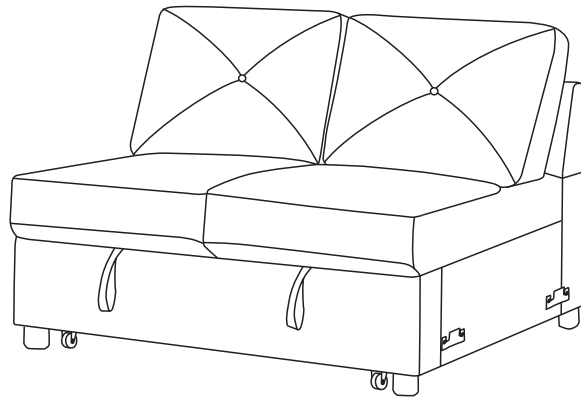
Step3



Step4



ASSEMBLY INSTRUCTION



PARTS LIST

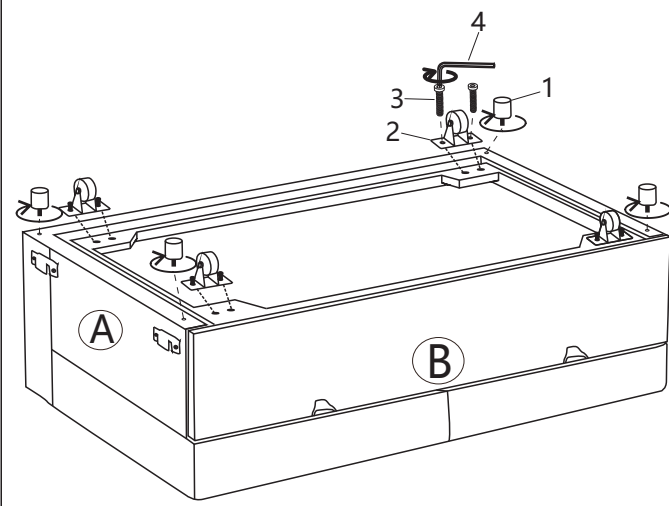
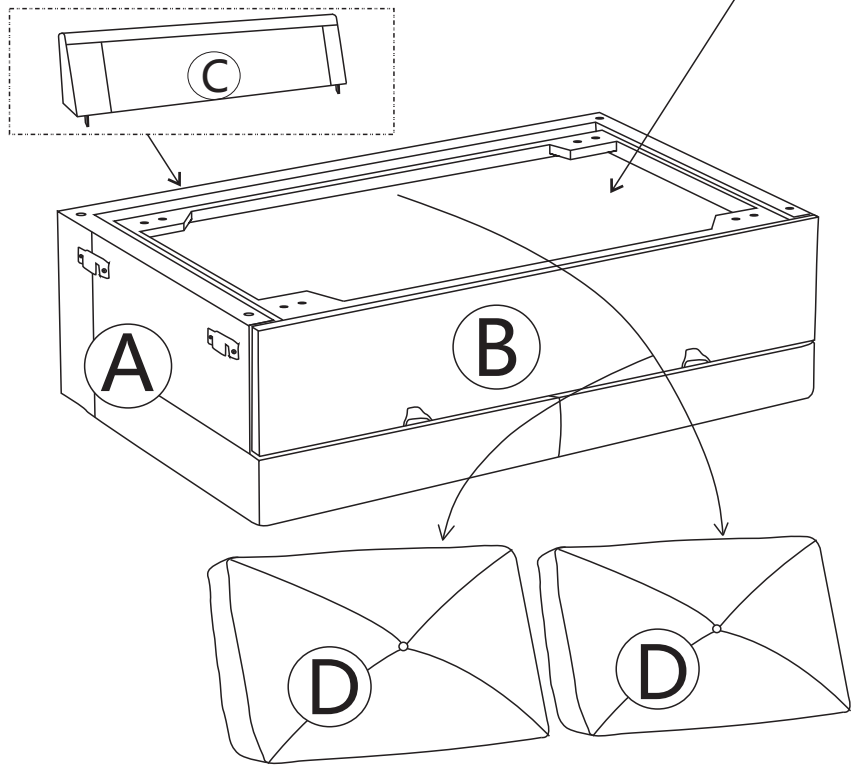
A	B	C	D
X1	X1	X1	X2

HARDWARE LIST

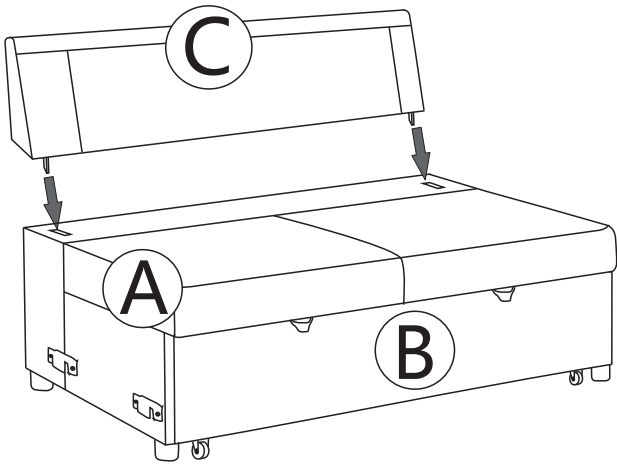
1	2	3	4
X4	X4	X8	X1

- | | | | |
|----------|----|----------|----|
| 1 | X4 | 3 | X8 |
| 2 | X4 | 4 | X1 |

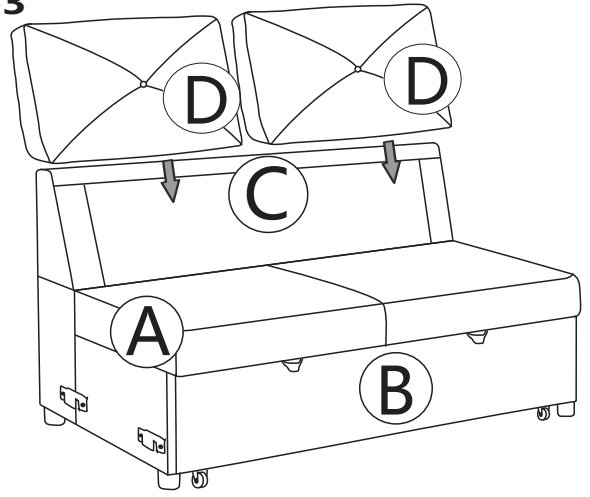
Step 1



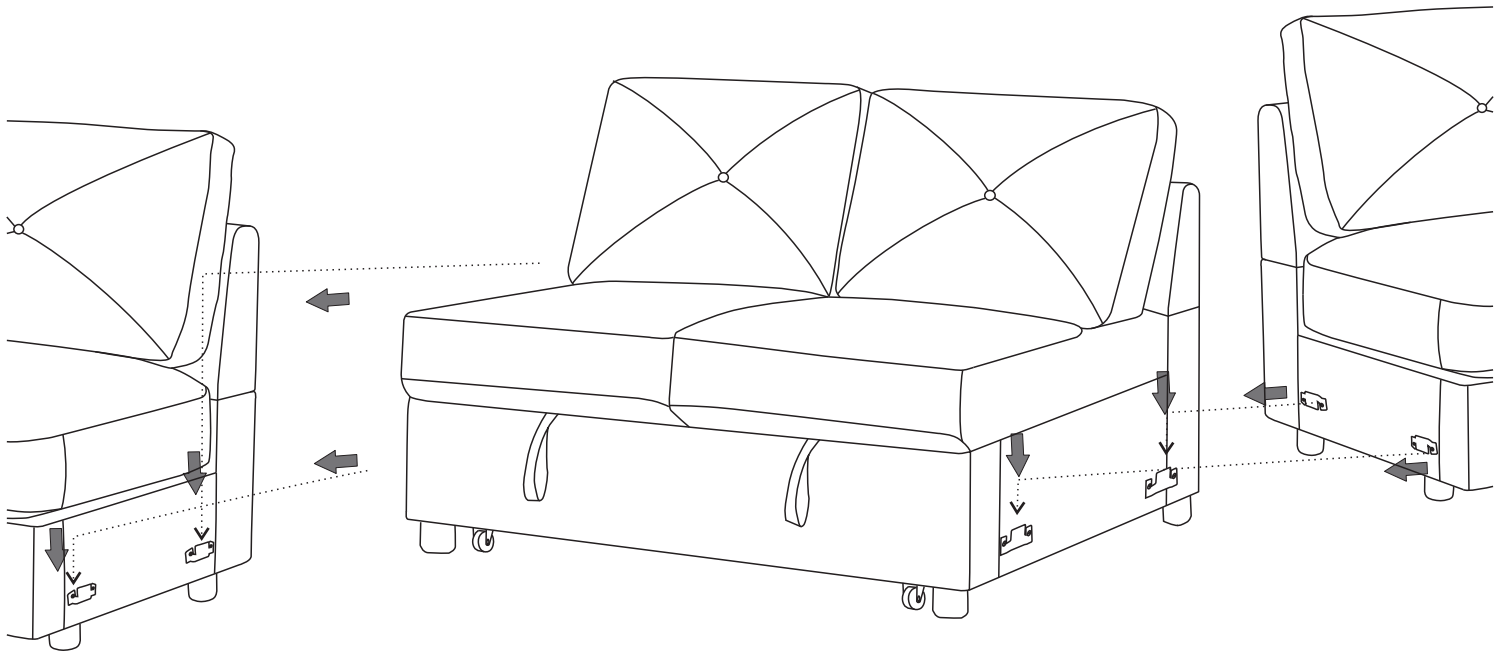
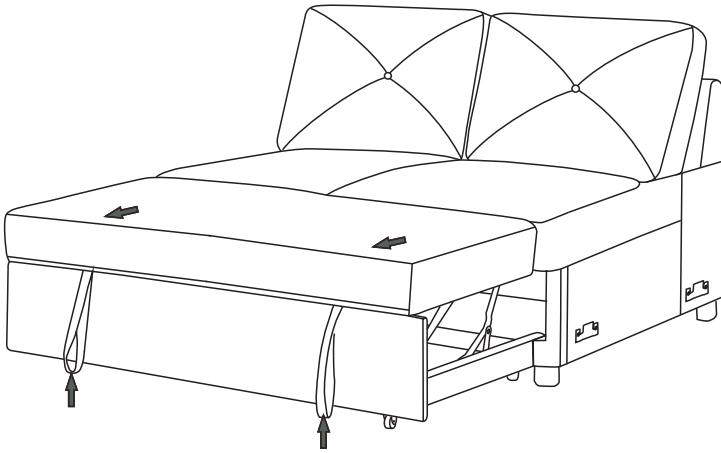
Step2



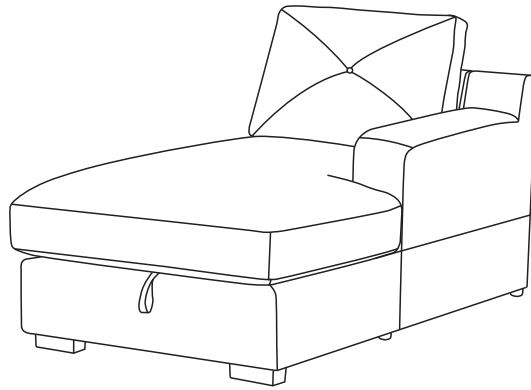
Step3



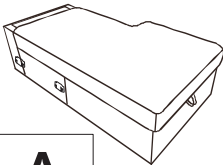
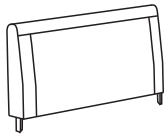
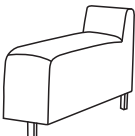
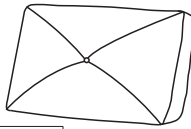
Step4



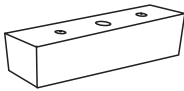
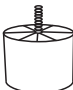
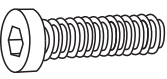


ASSEMBLY INSTRUCTION

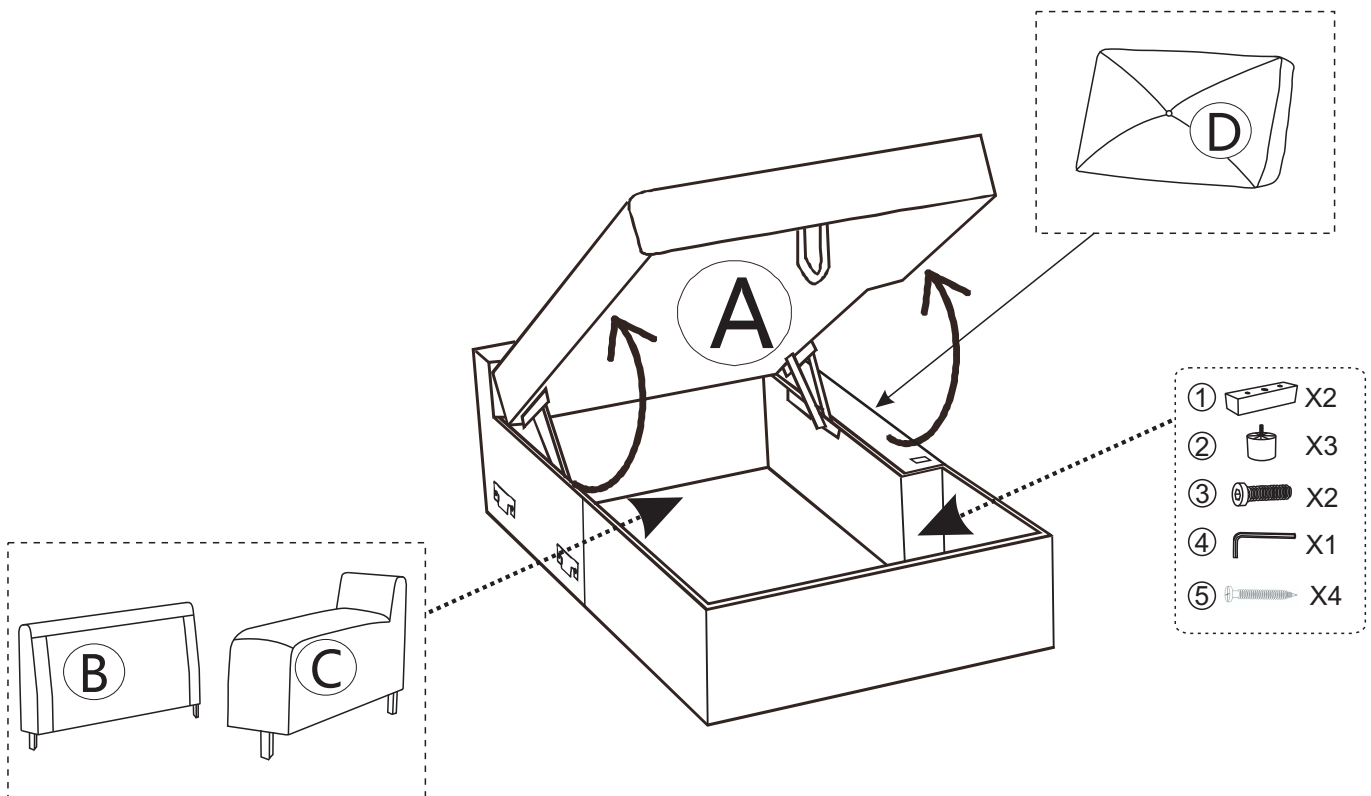


PARTS LIST

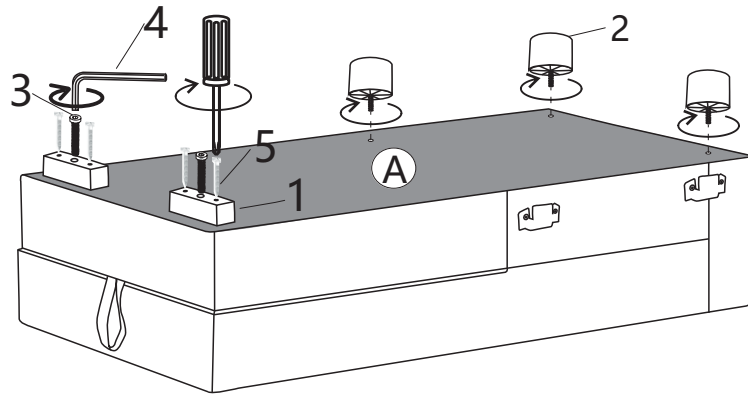
			
A	B	C	D
X1	X1	X1	X1

HARDWARE LIST

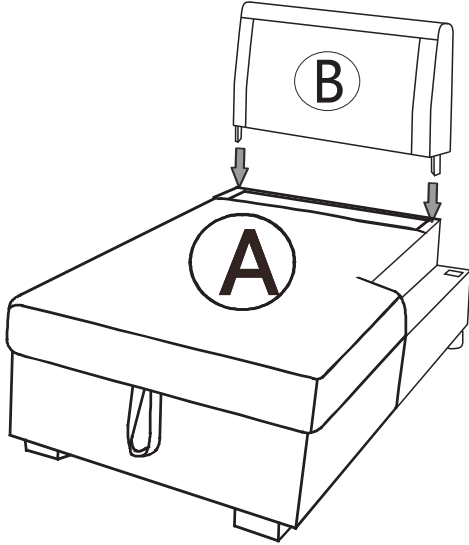
				
1	2	3	4	5
X2	X3	M8X60 X2	M5 X1	M5X50 X4



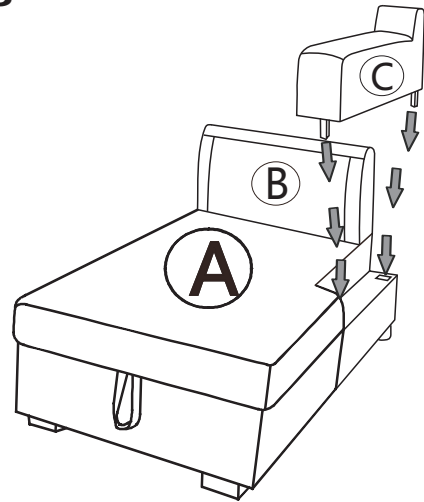
Step1



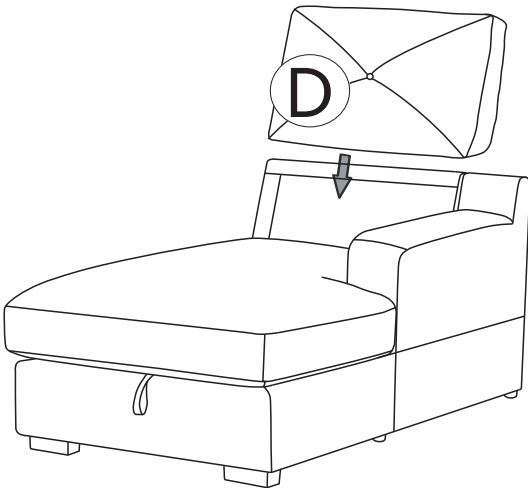
Step2



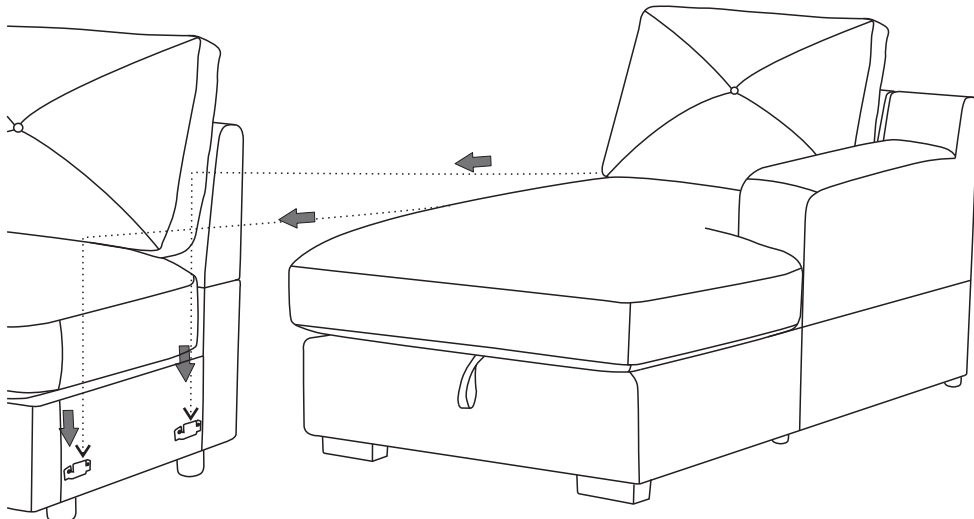
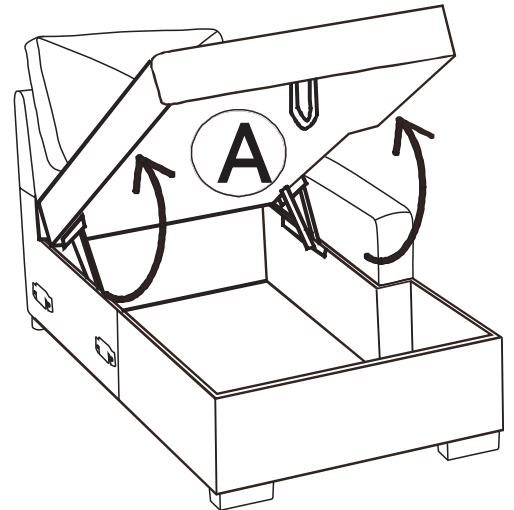
Step3



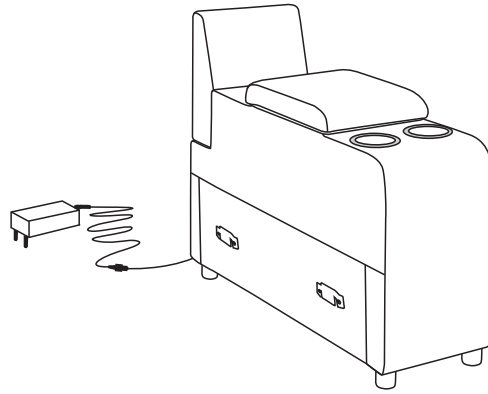
Step4



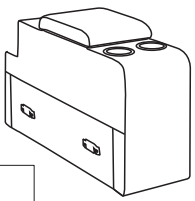
Step5



ASSEMBLY INSTRUCTION



PARTS LIST



A

X1



B

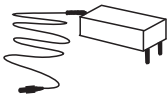
X1

HARDWARE LIST



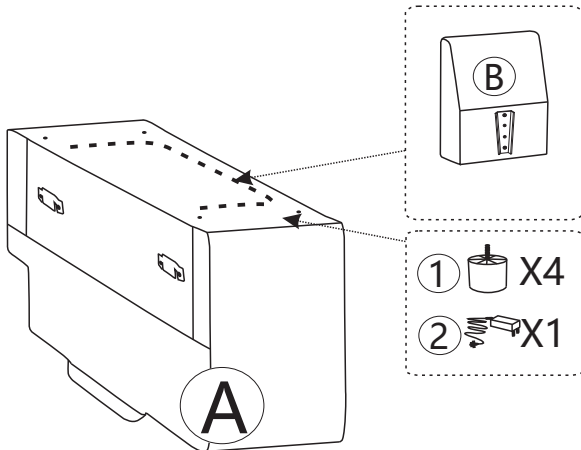
1

X4

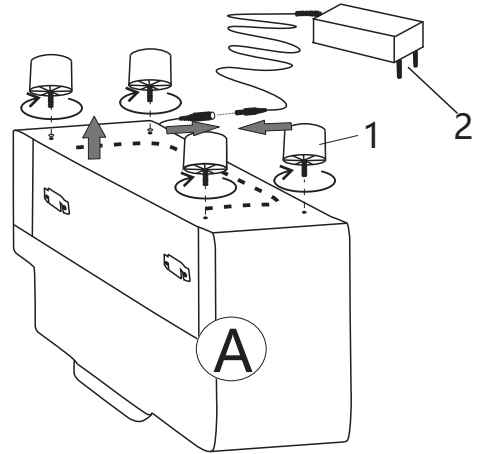


2

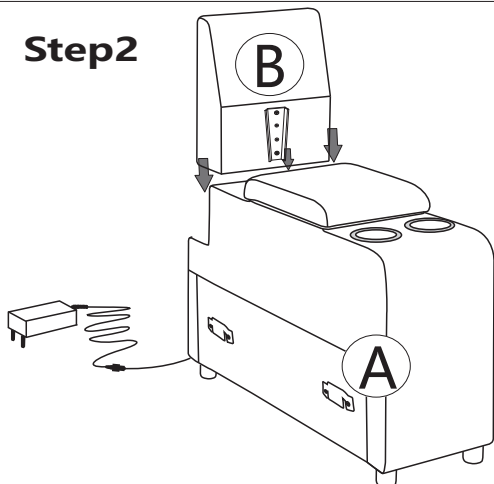
X1



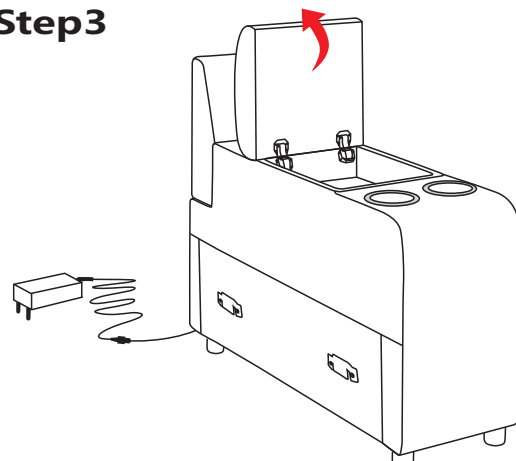
Step1



Step2



Step3



Step4

