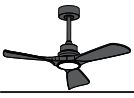


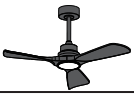
Installation Instruction



SAFETY INFORMATION

Please read all safety information and instructions before installing the ceiling fan and save this manual for future reference.

SAFETY INFORMATION	01
PRE-INSTALLATION	02
INSTALLATION INSTRUCTION	04
OPERATION INSTRUCTION	08
SPECIFICATIONS	09
TROUBLESHOOTING	10



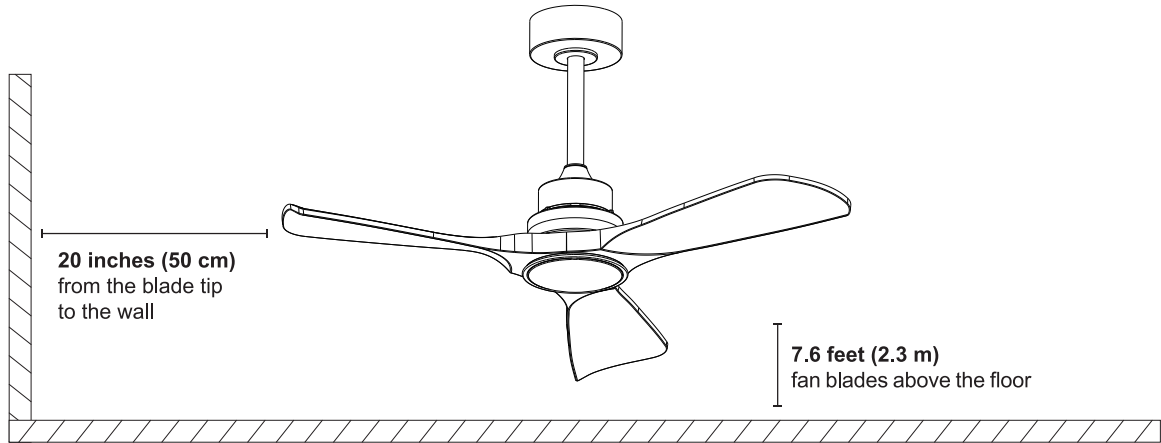
SAFETY INFORMATION



WARNING

- Before connecting the power supply, make sure that the power supply used matches the specifications of the ceiling fan.
- All wiring must comply with national and local electrical codes ANSI/NFPA70. If you are not familiar with wiring, please use a qualified electrician.
- To reduce the risk of fire or electric shock, turn off the power to the fuse box or circuit breaker before installing the fan.
- To reduce the risk of personal injury, attach the fan directly to the building's support structure and ensure that it can accept at least 35 pounds (15.9 kg).
- Make sure that the installation location allows the fan blades to rotate without obstacles.

Installation Location



WARNING

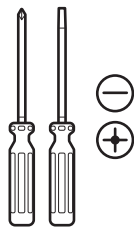
- Do not operate this fan with a variable (Rheostat) wall controller or dimmer switch.
- Doing so could result in damage to the ceiling fan's remote control unit.

PRE-INSTALLATION

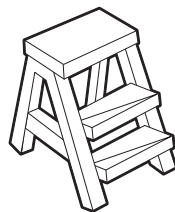
Tools Required (Not Included)



Power Drill



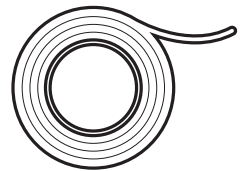
Screwdriver



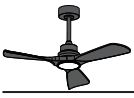
Step Ladder



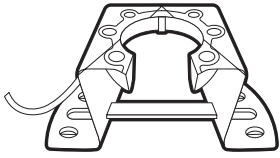
Wire Stripper



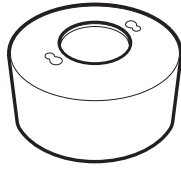
Electrical Tape



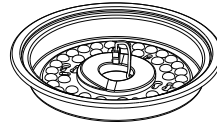
Parts List



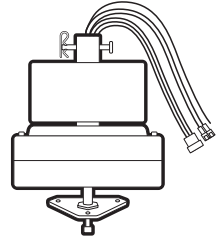
Mounting Bracket X 1



Canopy X 1



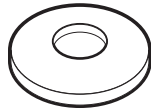
LED & Light Kit Pan X 1



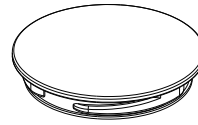
Motor X 1



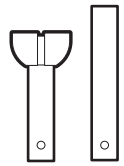
Coupling Cover X 1



Canopy Cover X 1



Light Cover X 1



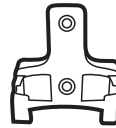
Downrod X 2



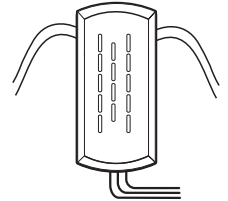
Fan Blade X 3



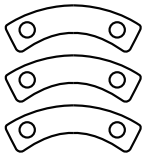
Remote Control X 1



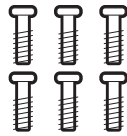
Remote Control Bracket X 1



Receiver X 1



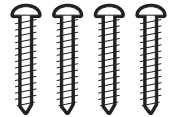
Blade screw gasket X 3



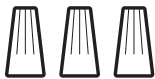
Blade Screw X 6



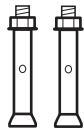
Remote Bracket Screw X 2



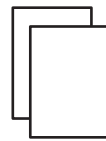
Self-tapping Screw X 4



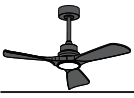
Wire Caps Screw Terminals X 3



Expansion Bolt X 2

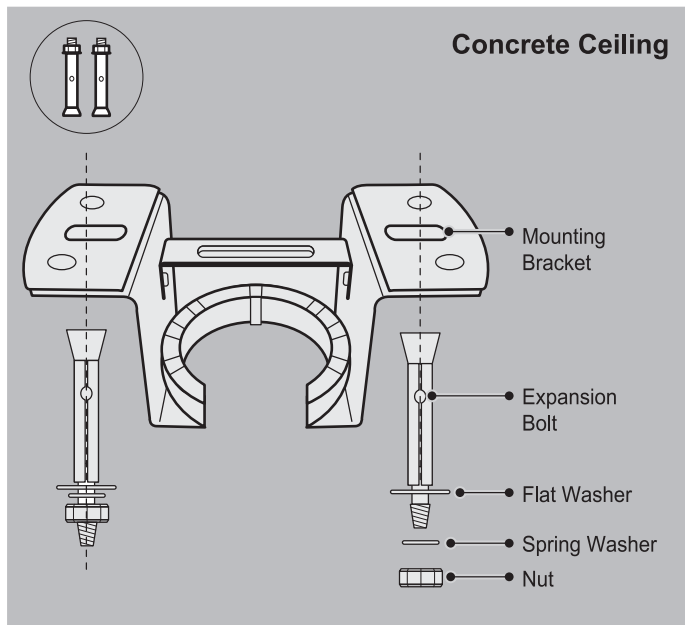


Balance Kit X 2

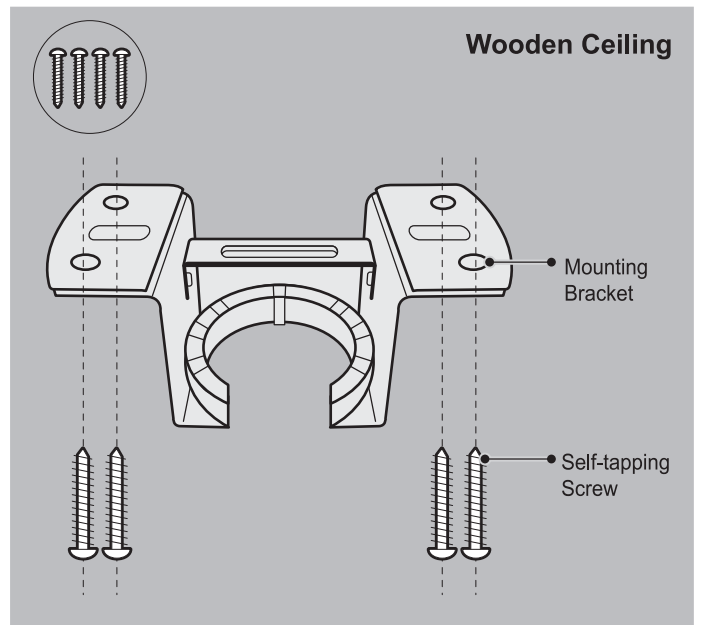


INSTALLATION INSTRUCTION

Step 1: Mounting Bracket Installation

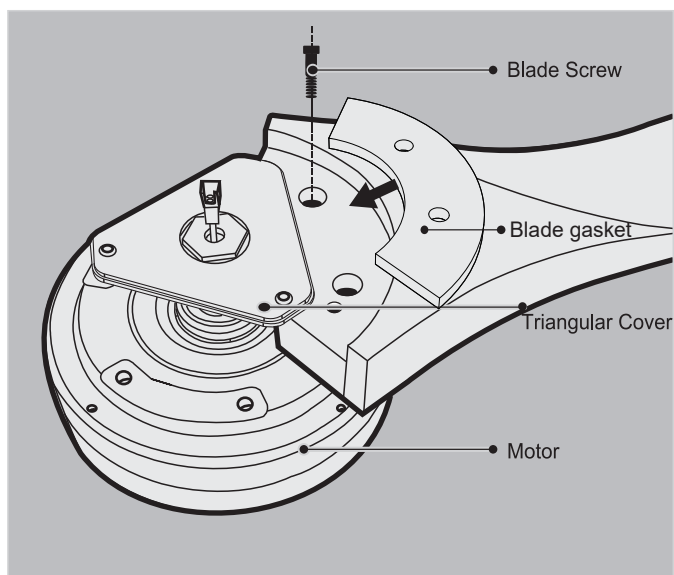


1. Drill holes with electric drill ($\phi 8$ mm).
2. Use expansion screws to fix the mounting bracket to the ceiling.



Fasten the mounting bracket to the ceiling with self-tapping screws.

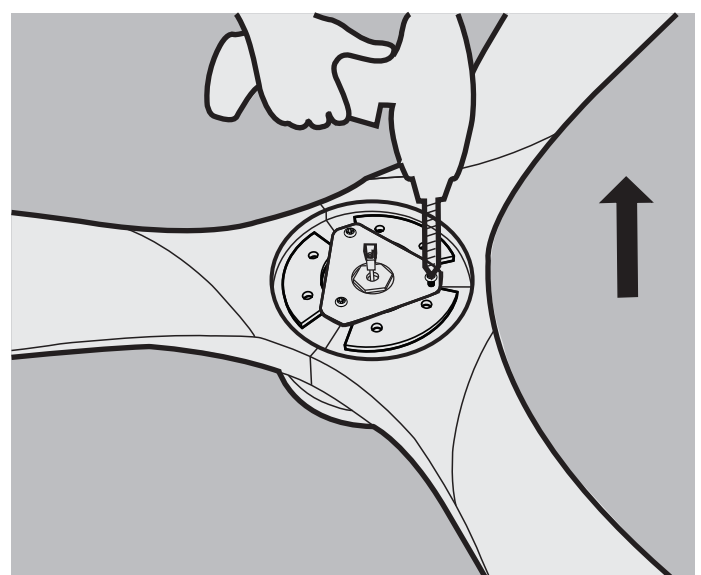
Step 2: Fan Blade Installation

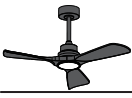


- 1 Clamp the fan blade under the triangular cover and fix the fan blade to the motor with screws and gaskets.

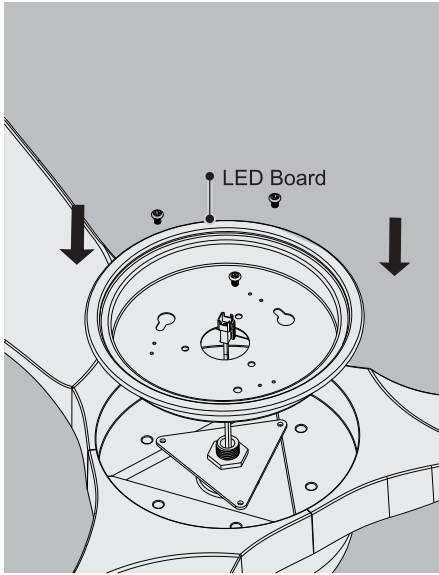
Note:

- The fan blade needs to be aligned with the "center" position of the screw hole group.
- Do not lock the screws when installing the blades and then tighten all the screws after all the fan blades are installed.

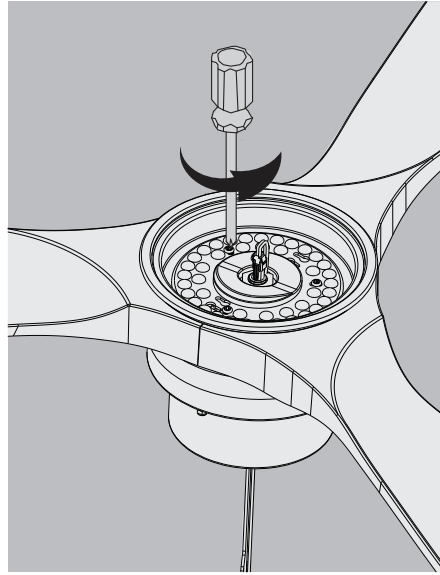




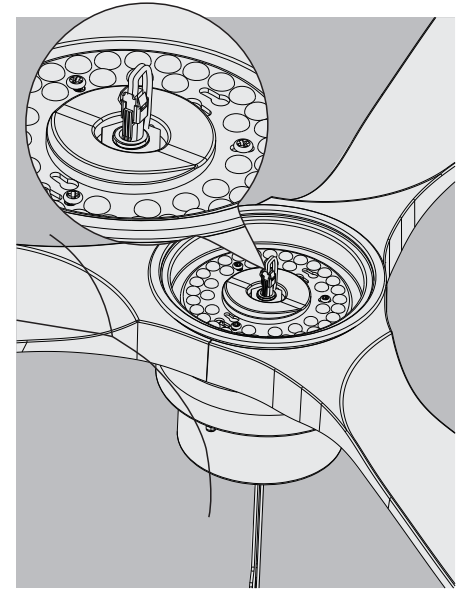
Step 3: Installation of LED Board



- 3 Thread the motor line through the LED board, then align the LED board with the triangular cover on the motor and put it on.

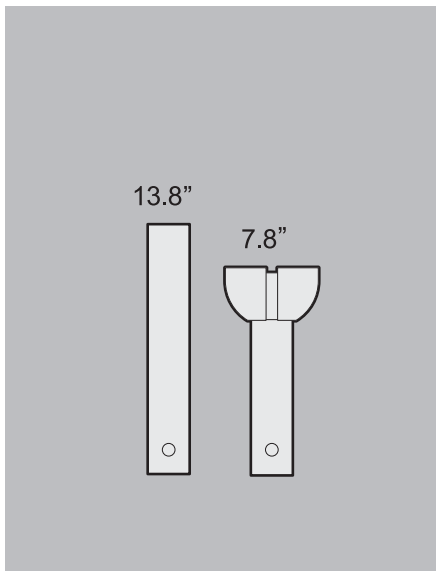


- 4 Install the screws on the triangular cover into the corresponding holes.

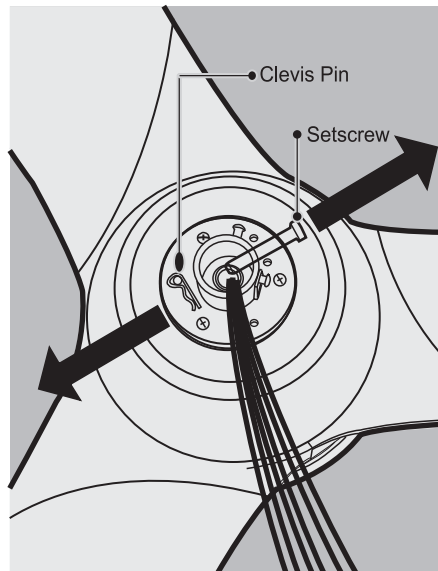


- 5 Connect the motor line and the lamp panel line.

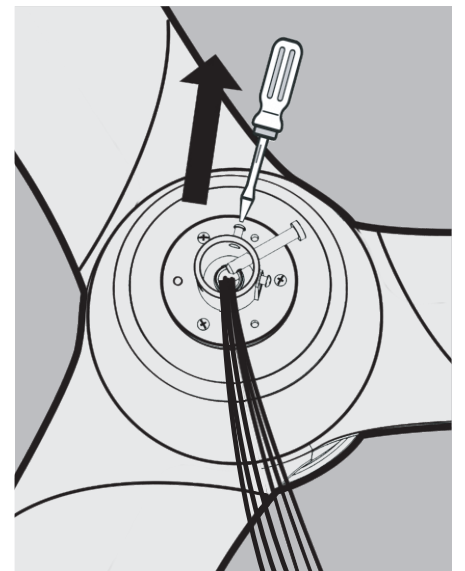
Step 4: Downrod Installation



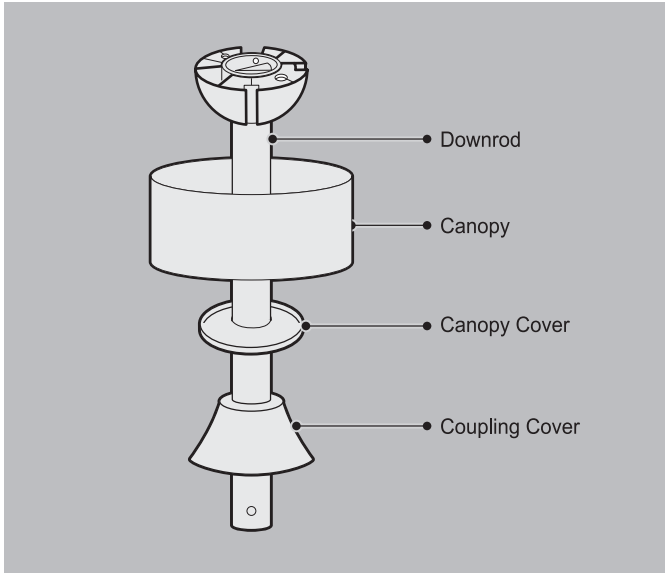
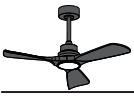
- 1 Select a suitable downrod. (2 lengths are available 7.8"/13.8") other size downrod please contact customer service.



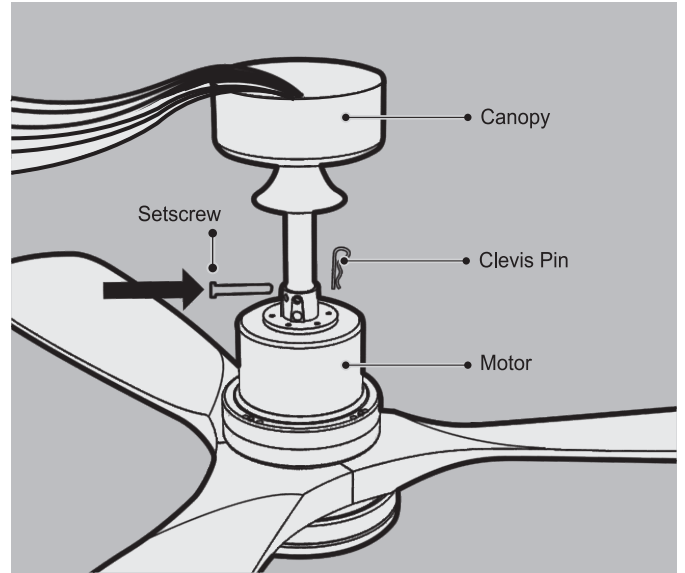
- 2 Take out clevis pin on the motor.



- 3 Loosen the screws on the motor, and do not take them out completely.

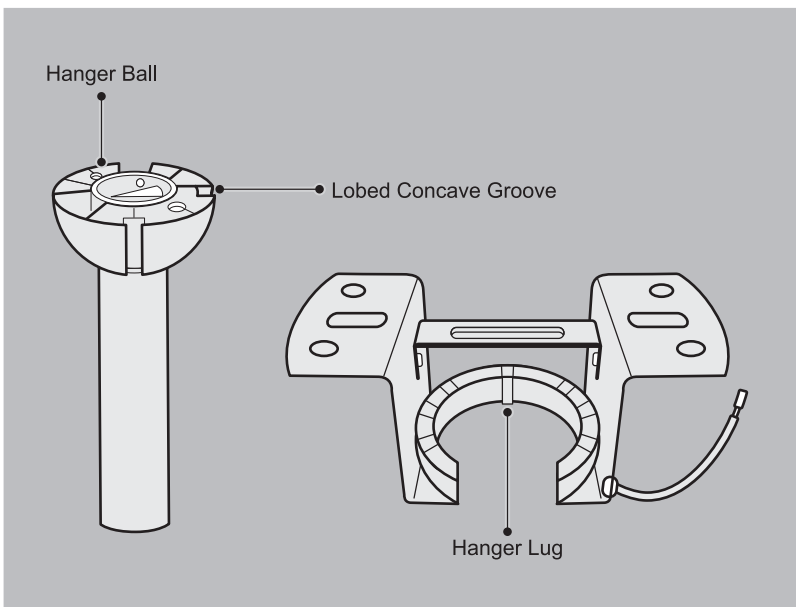


4 Assemble the canopy, canopy cover and coupling cover to the downrod in turn.

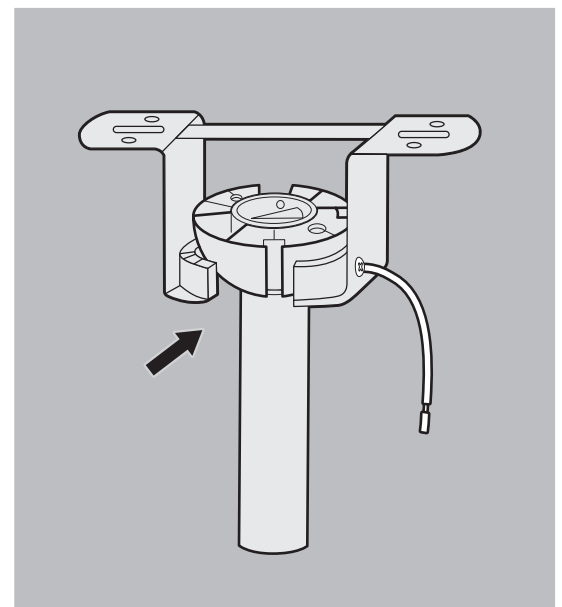


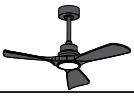
5 Thread the motor wire through the lower pull rod, lock the fixing screw with the clevis pin, and tighten the motor screw.

Step 5: Installation of the Assembled Fan



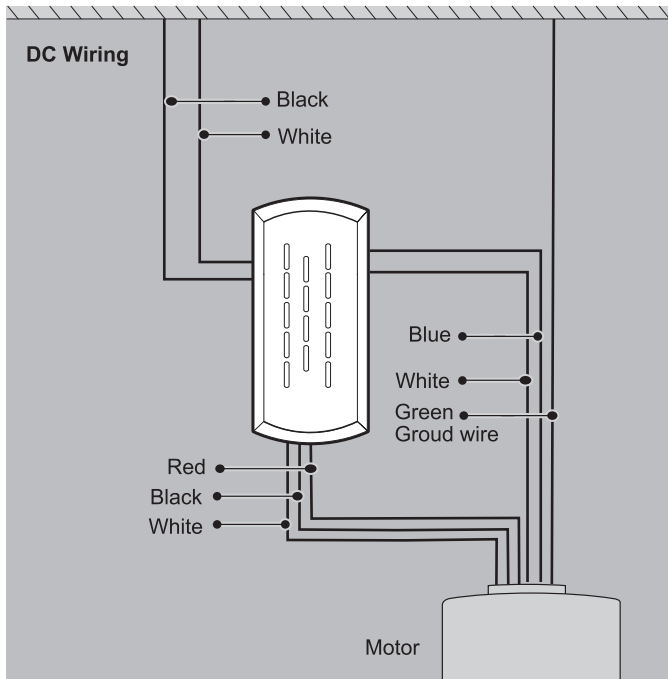
1 Lift the assembled fan onto the mounting bracket.





Step 6: Wiring Instruction

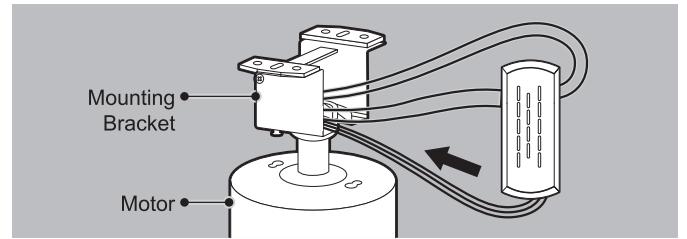
⚠ Shut off the power to the fuse box or circuit breaker before wiring.



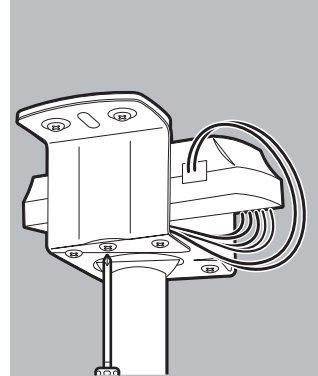
1 The receiver is connected to the motor power cord and the ceiling power cord respectively.

Note:

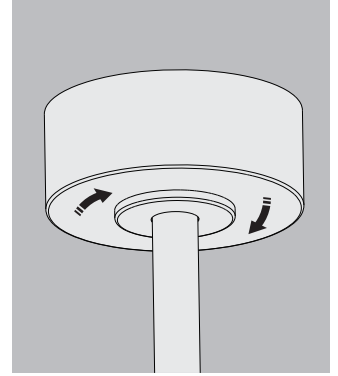
Connect wires color to color, plug to plug.



2 Put the receiver into the mounting bracket.

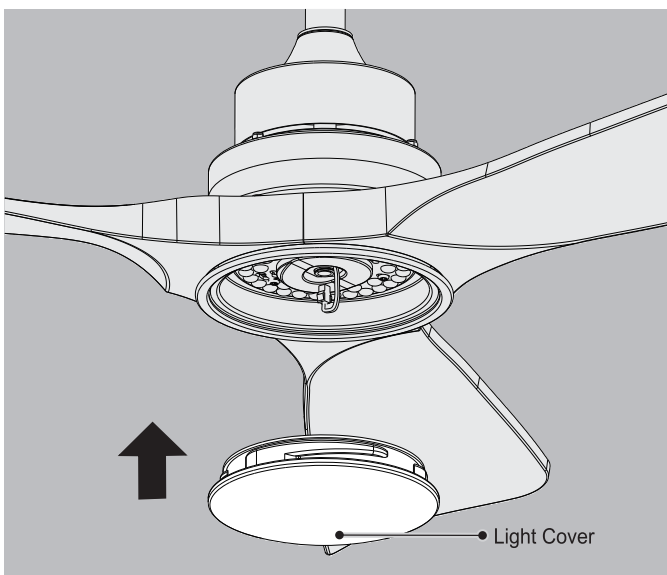


3 Cover the receiver and power cord and tighten the screws.

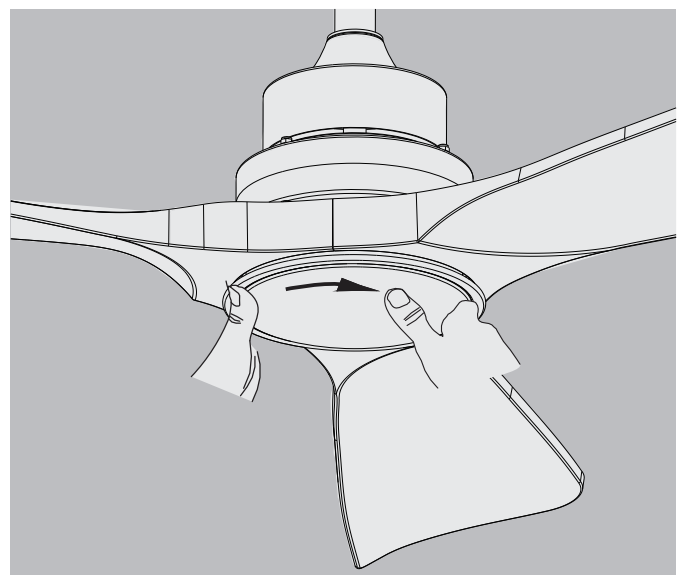


4 Decorative cover on, rotate, tighten .

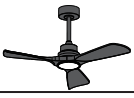
Step 7: Install the Lampshade



1 Put the light cover to the LED board.



2 Spin forward to tighten the light cover.



Step 8: Change Downrod(OPT)

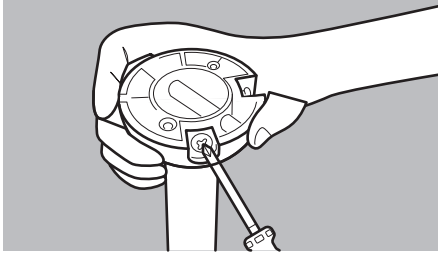
How to choose different lengths of downrod

1. The ceiling of the house is 100 inches from the ground, suitable for installing a 7.8inch downrod.
2. The ceiling distance of the house is 110 inches, which is suitable for installing a 13.8 inch downrod.
3. The ceiling of the house is 120 inches from the ground, which is suitable for installing a 14-inch downrod.
4. If the space requires a longer boom, you will need to use a longer extension wire, the wire thickness should be selected close to the motor wire thickness, too thick or too thin (changing the resistance required by the receiver), the motor may not work.

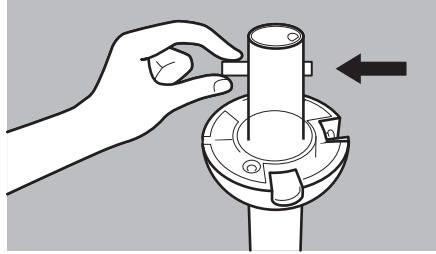
NOTICE

If the house suitable for installing a 1.5m(590 inches), it should a new controller, Please contact us for customization

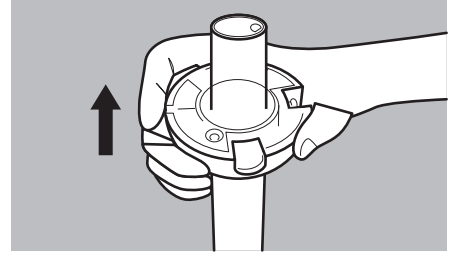
If you need to change different length downrod, please follow these steps:



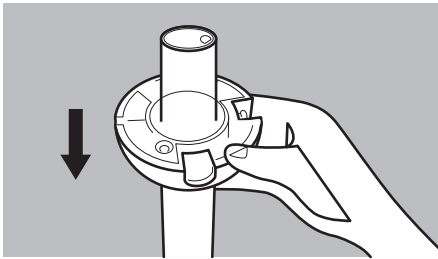
1 Loosen the screws on the hanging ball.



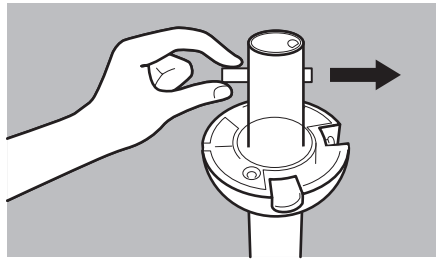
2 Remove the metal bar.



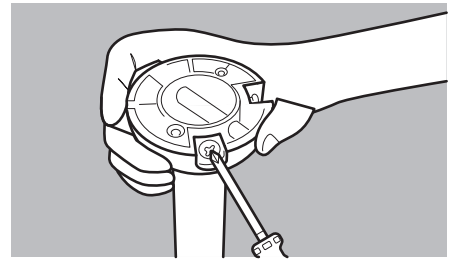
3 Take off the hanging ball from the original downrod.



4 Install the hanging ball to an appropriate downrod.



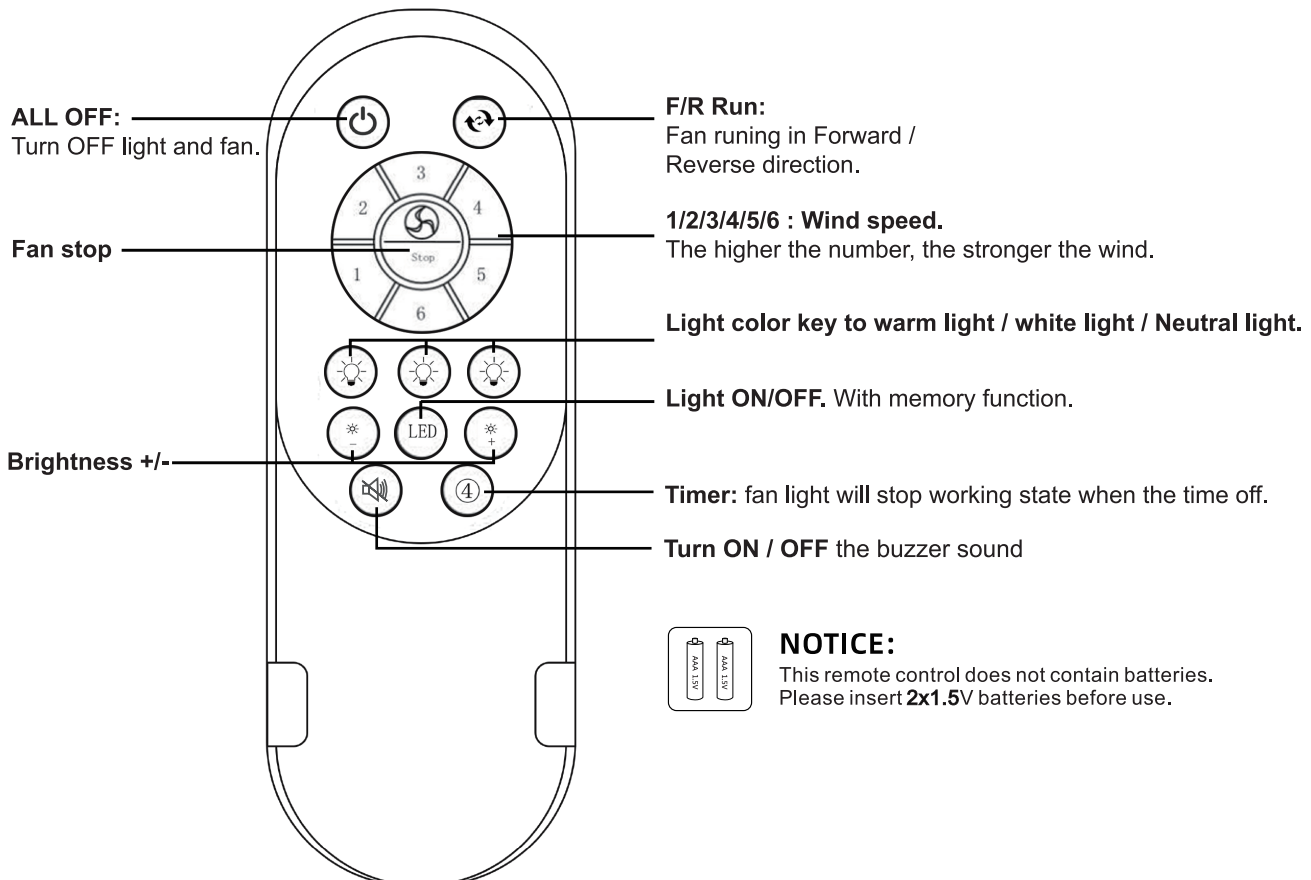
5 Insert the metal bar .

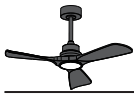


6 Tighten the screws.

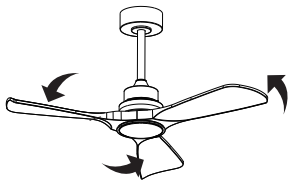
OPERATION INSTRUCTION

Control Method

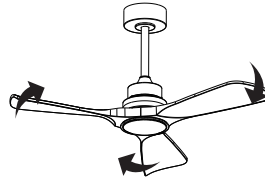




Reversible Function



Summer (Forward):
A downward airflow creates a cooling effect.



Winter (Reverse):
An upward airflow increases the indoor temperature.

PS: If you want to change the fan's rotation direction, please press the button while the fan is running.

Timing Control

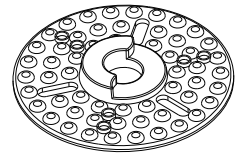
4H: The fan will automatically shut off after 4 hours.

Close the Timing Control: Press the button "FAN ON/OFF"

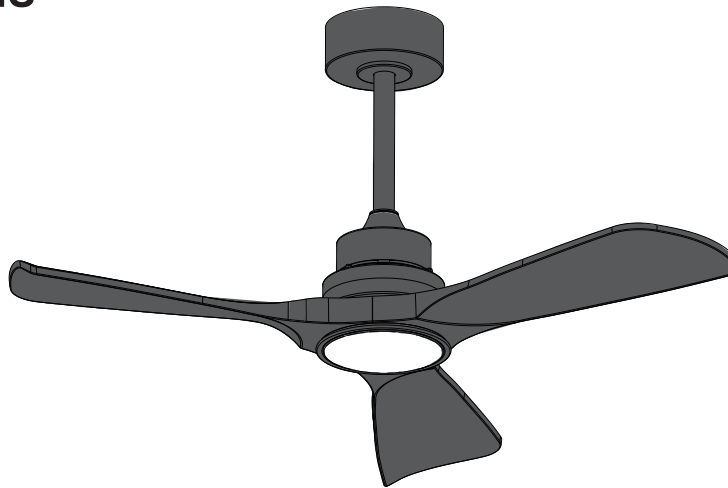
Memory function of LED light color temperature.

Our LED Light comes with a color temperature memory function. If the light is turned off for less than 7 seconds and then turned on again, it will switch to the next color temperature. If the light is turned off for more than 7 seconds and then turned on again, it will remember the color temperature from before it was turned off.

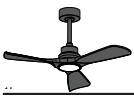
Note: The LED light may not correspond with the image. Please refer to the actual product.



SPECIFICATIONS



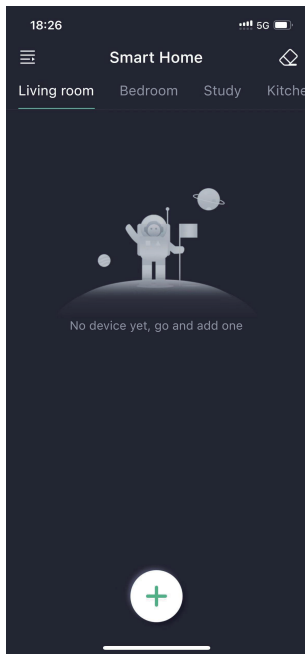
Product Name	Ceiling Fan	Size	42"	52"	60"
		Gross Weight	5.2KG	6.6KG	7.5KG
Rated Voltage	110V-265V	Motor Power	19W	35W	40W
Lamp configuration	15W LED	Motor Spec	Φ153*10	Φ153*10	Φ153*10
Lampshade size	Φ180 mm	Overall height	480mm (with 7.8" ød)		
control method	Remote Control	Fan blade	3 fan blades		



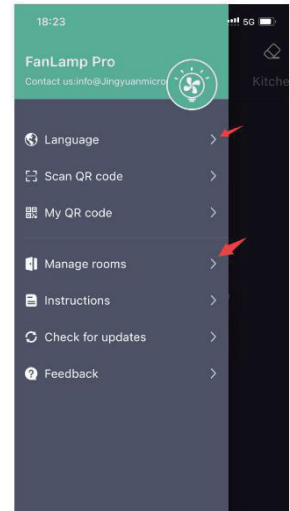
How TO Use the Mobile APP



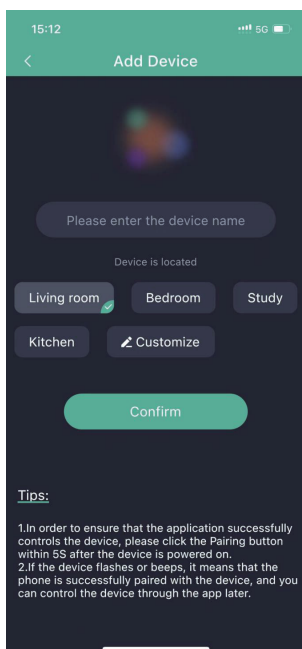
1. Scan the barcode and download the FANLAMPPRO APP
(Andriod could download from GOOGLE PLAY STORE)



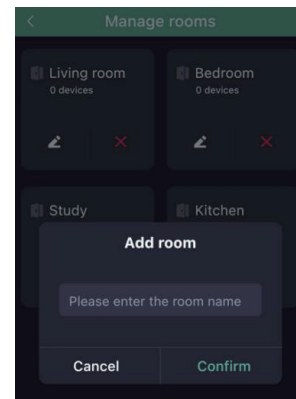
2. Choose the Language and Manage room information



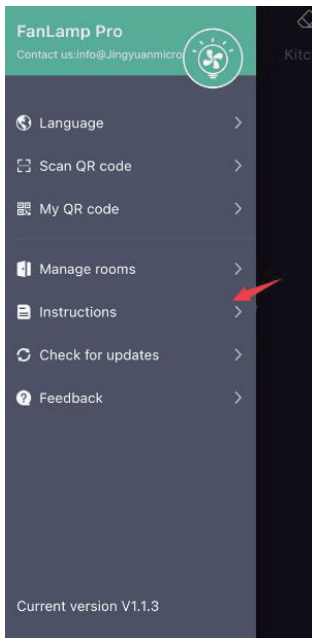
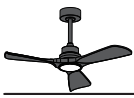
3. Add a new fan.



4. Choose a name for a new fan and select the room where it is located

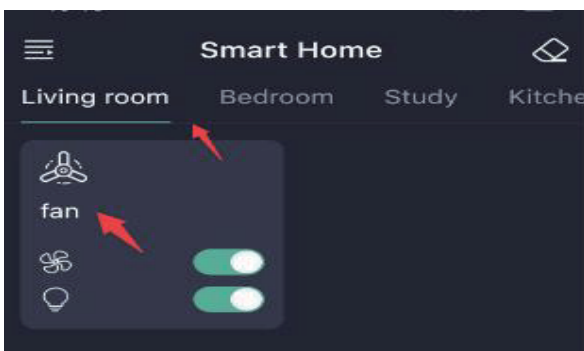
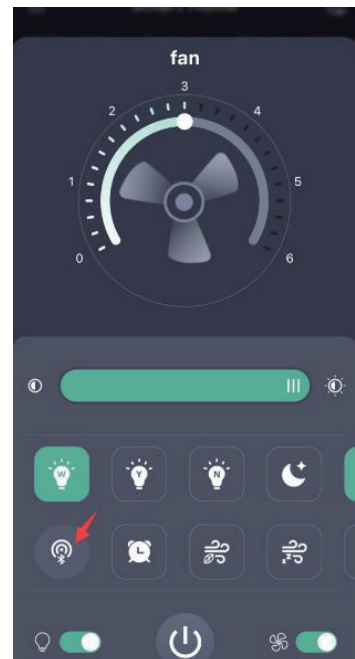


5. In case, it isn't located in one of the predetermined locations, select the Personalize option and add a new room.



6. Follow APP's instruction to operate the ceiling fan.
NOTE: Only one device can be paired.
Once a new device is paired,the previous device will no longer be.

7. Enter the main control interface,turn on the Bluetooth from smart phone, turn off the electric power supply, and then turn on the electric power supply again, the LED of the ceiling fan is bright and the Bluetooth of device is ready for connecting to smart phone. Finally, click the Pairing Button in APP within 5 seconds of power. If the pairing button is green, the ceiling fan has been connected with smart phone. APP can control the ceiling fan now.



8. Enter room and Click the Fan control interface.