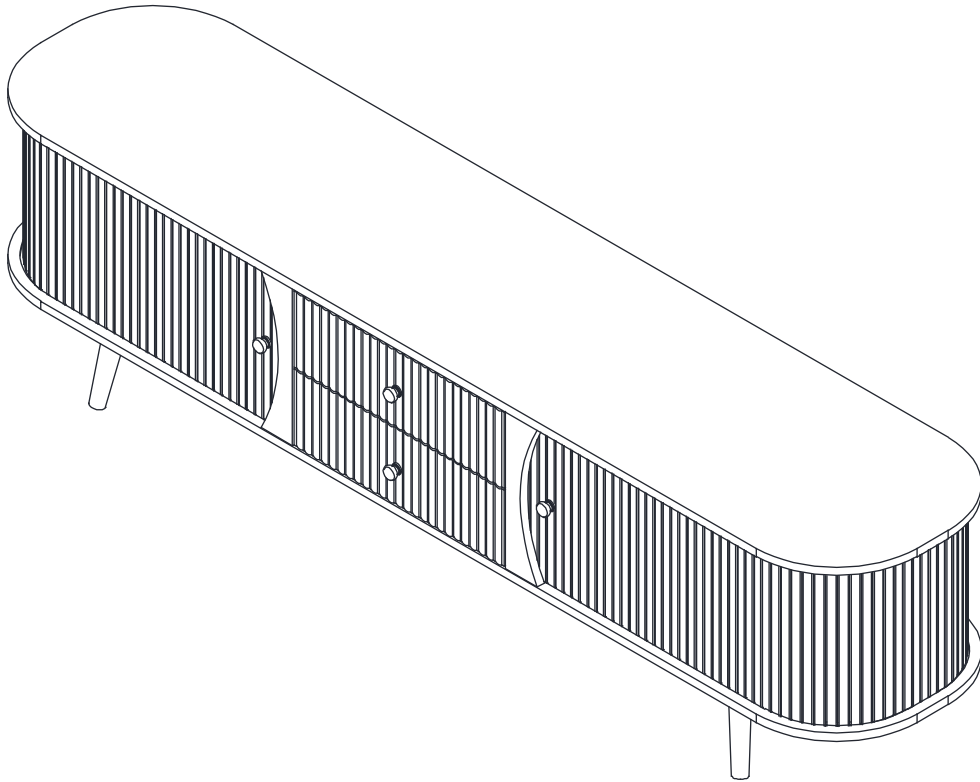


# TV STAND

## *USER MANUAL*



***SAVE THESE INSTRUCTIONS FOR FUTURE USE***

**PLEASE DO NOT RETURN TO STORE**



**Please do not return this product to the retailer!!  
We are able to assist you in ANY way**

If you find that you have any trouble with assembly or missing or damaged parts please contact the seller.

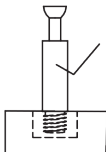
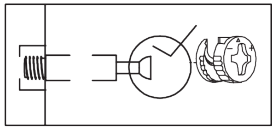
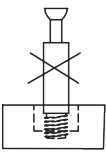
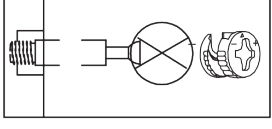
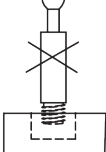
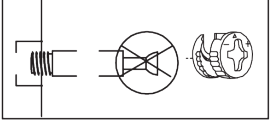
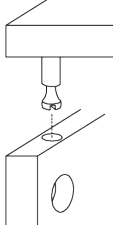
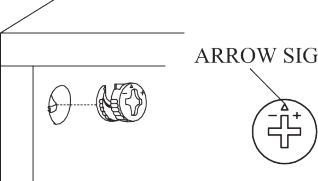
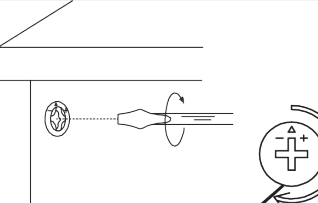
# Before Installation

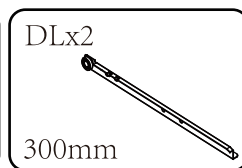
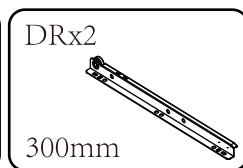
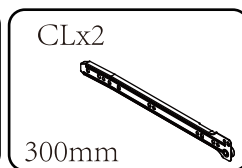
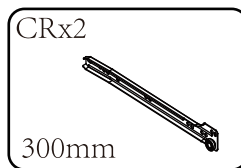
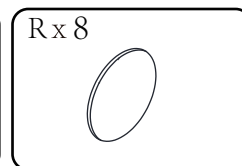
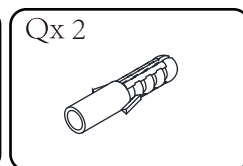
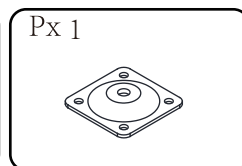
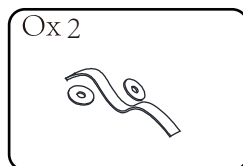
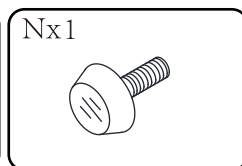
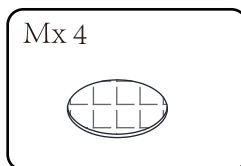
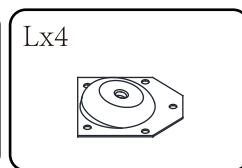
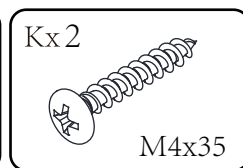
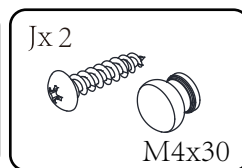
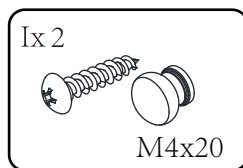
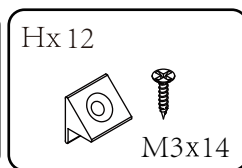
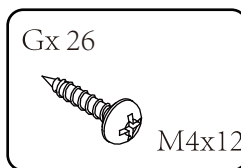
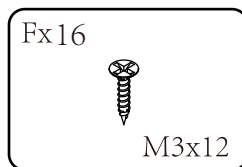
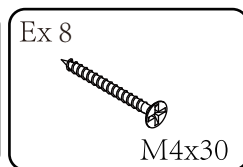
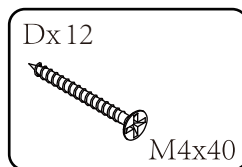
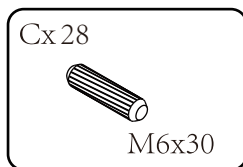
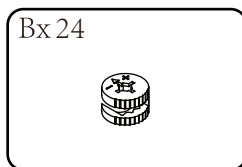
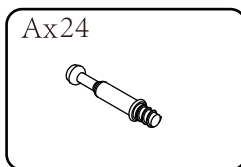
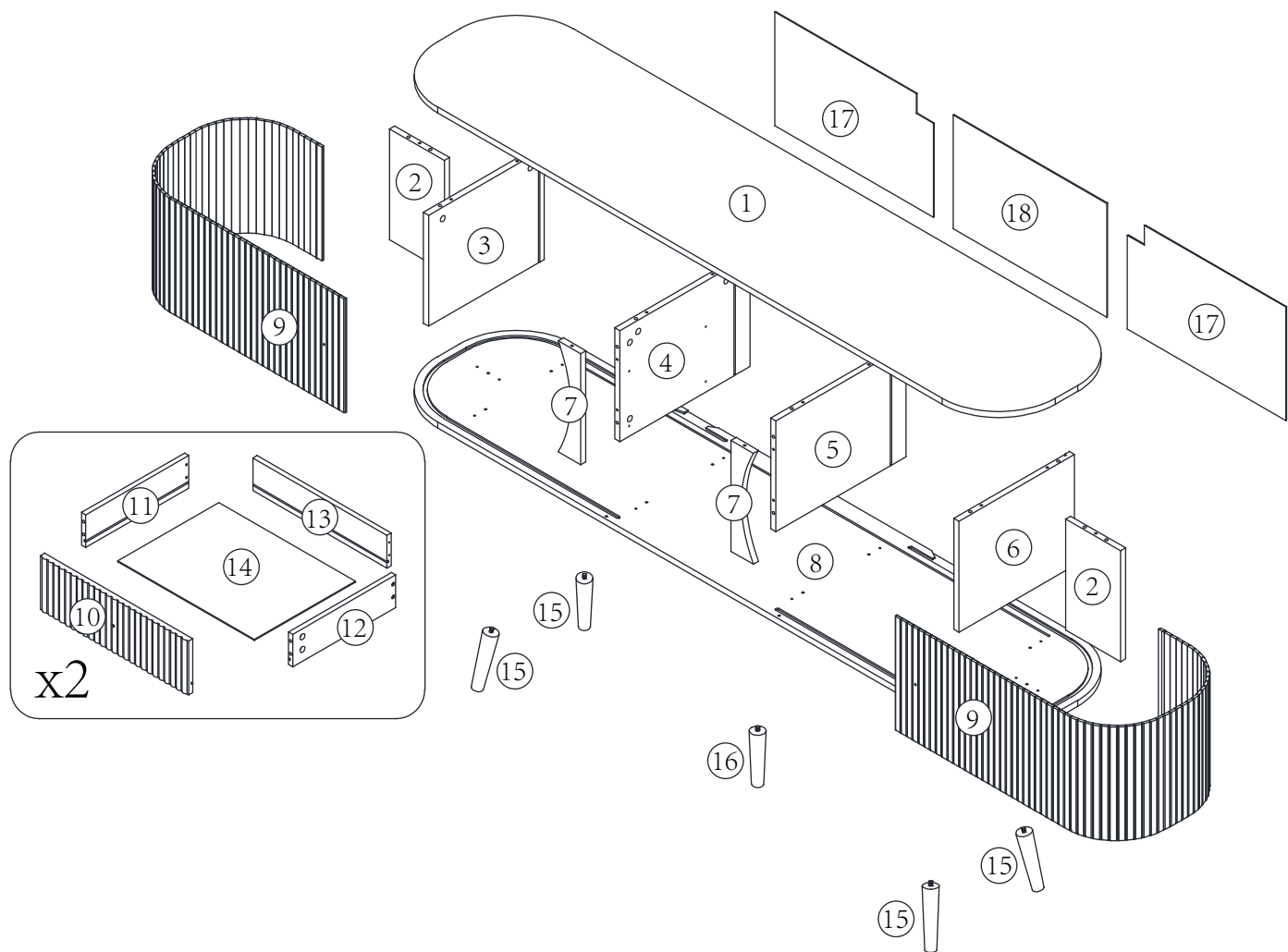
Important – Please read these instructions fully before starting assembly

Thank you for purchasing this quality product. Be sure to check all packing materials carefully for small parts, which may have come loose inside the carton during shipment. Identify and count all items according to the PARTS LIST and/or HARDWARE LIST shown below. Check you have all the components and tools listed on the following pages.

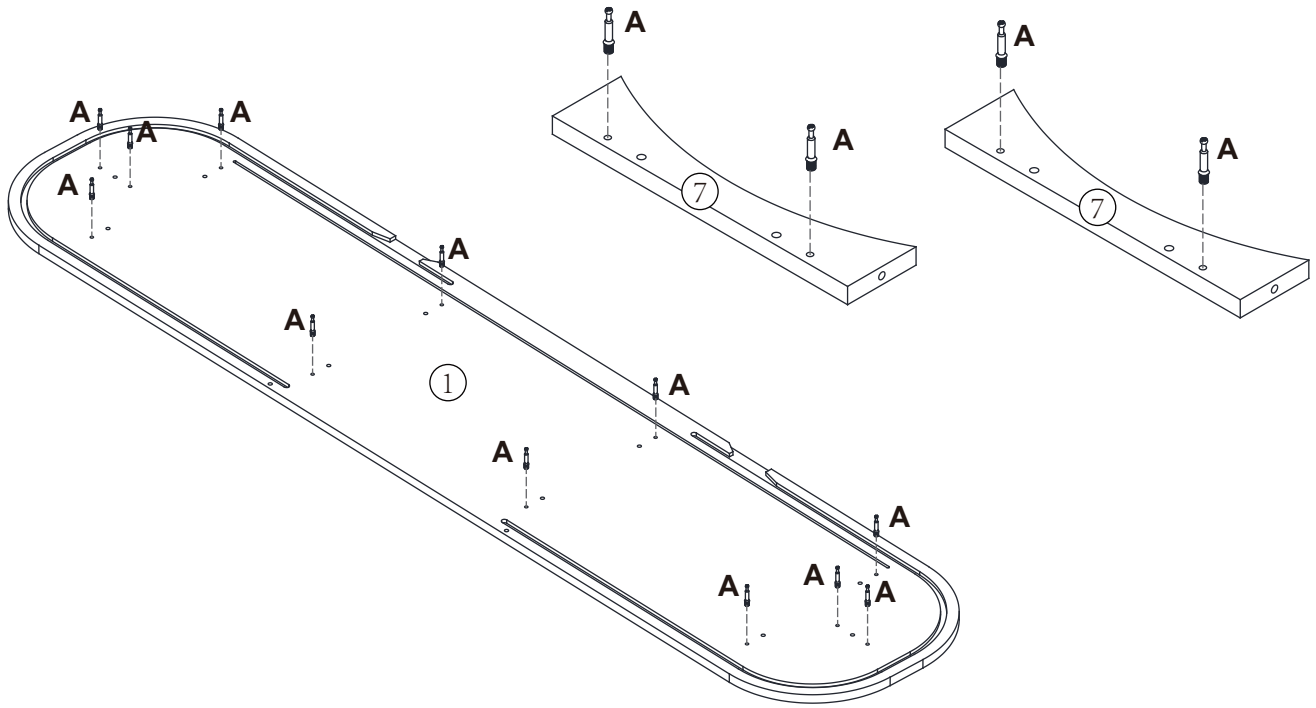
- We recommend that you assemble this product with the assistance of another person; this will make the assembly easier, and will help eliminate damage to the product or injury to persons during assembly.
- Please do not over tighten screws or bolts until the assembly is completed.
- Keep children and animal away from the work area, small parts could choke if swallowed.
- Please put all parts on a non-abrasive floor before assembly, and follow the assembly steps to assemble your newly purchased product correctly and efficiently.

## Cam Lock Assembly Instructions

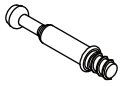
	<p>Diagram A</p> 	<p>Insert Cam Bolt into hole as shown in diagram A.</p>
	<p>Diagram B</p> 	<p>Make sure not to insert the Cam Bolt: Too deep as shown in figure B as this will cause the Cam Lock to be misaligned and unable to interlock properly.</p>
	<p>Diagram C</p> 	<p>Also avoid inserting the Cam Bolt too close to the surface of the hole as shown in figure C, as this will cause the Cam Lock to be too loose, and not interlock properly.</p>
		<p>Connect the panels together.</p>
	<p>ARROW SIGN</p>	<p>Insert the Cam Lock so the side opening fits over the head of the Cam Bolt.</p>
		<p>To tighten the Cam Lock, turn it clockwise on half a turn with a flat screwdriver. <i>*Do not use an automatic screwdriver as it may bend or break if too much power is imposed.</i></p>



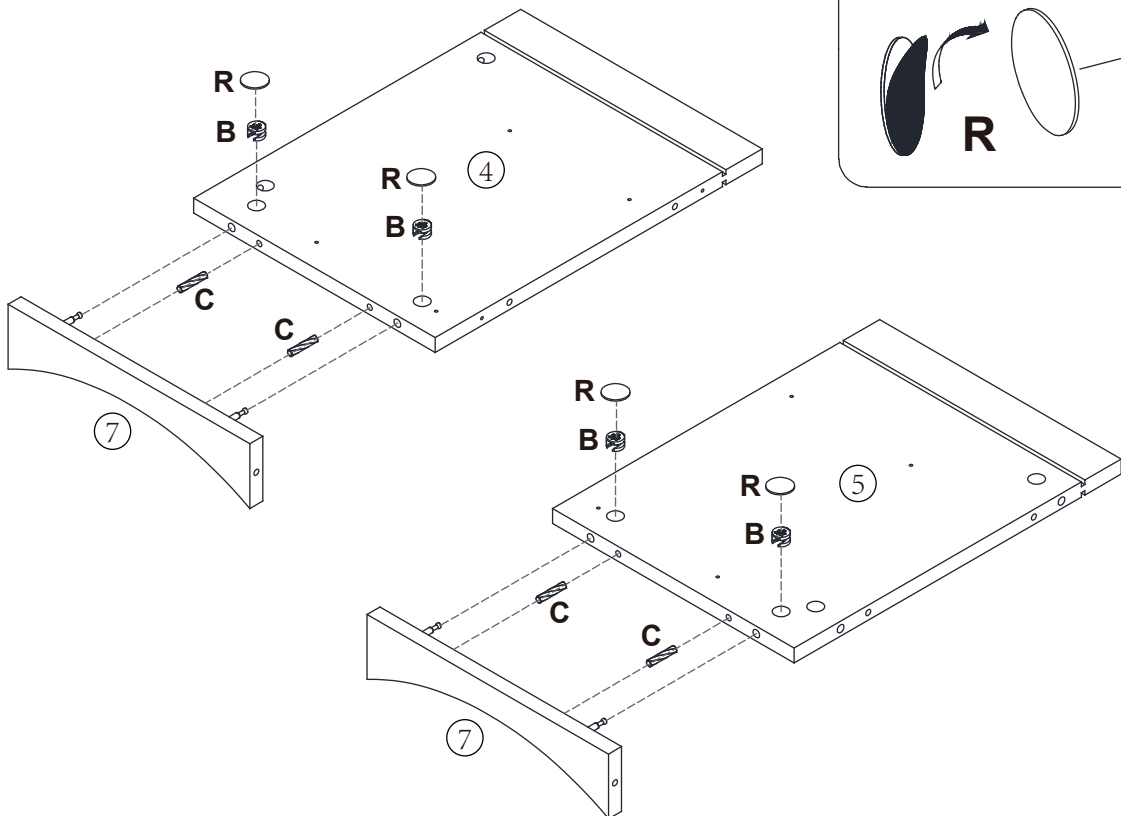
# STEP 1



Ax16



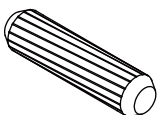
# STEP 2



Bx4



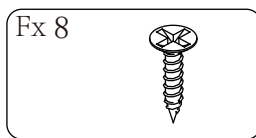
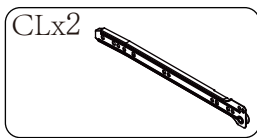
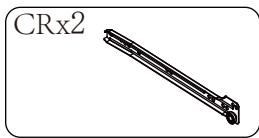
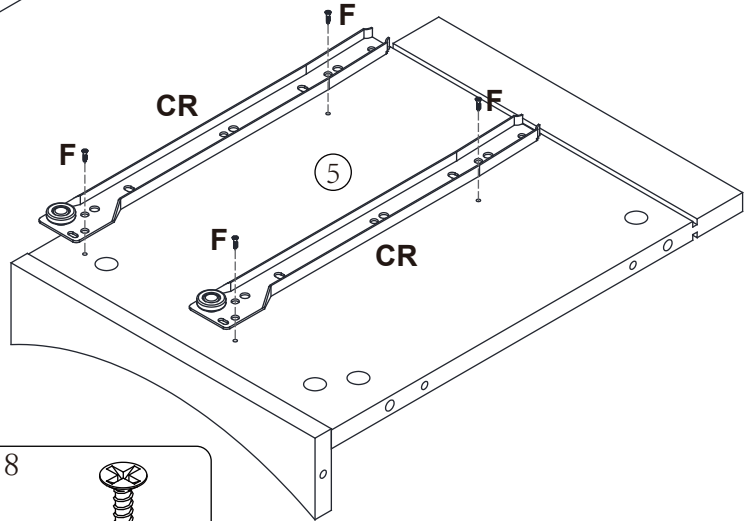
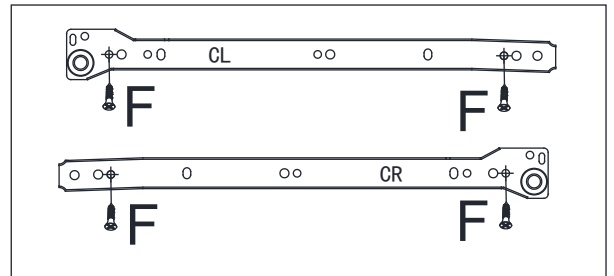
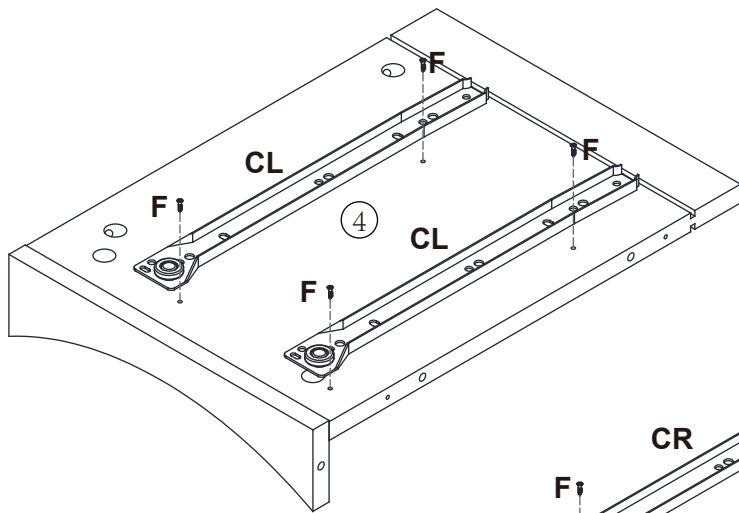
Cx4



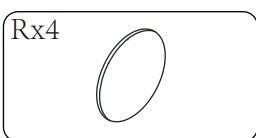
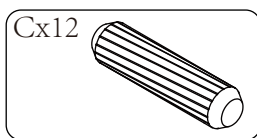
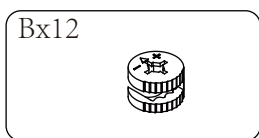
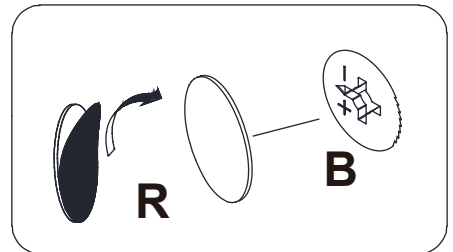
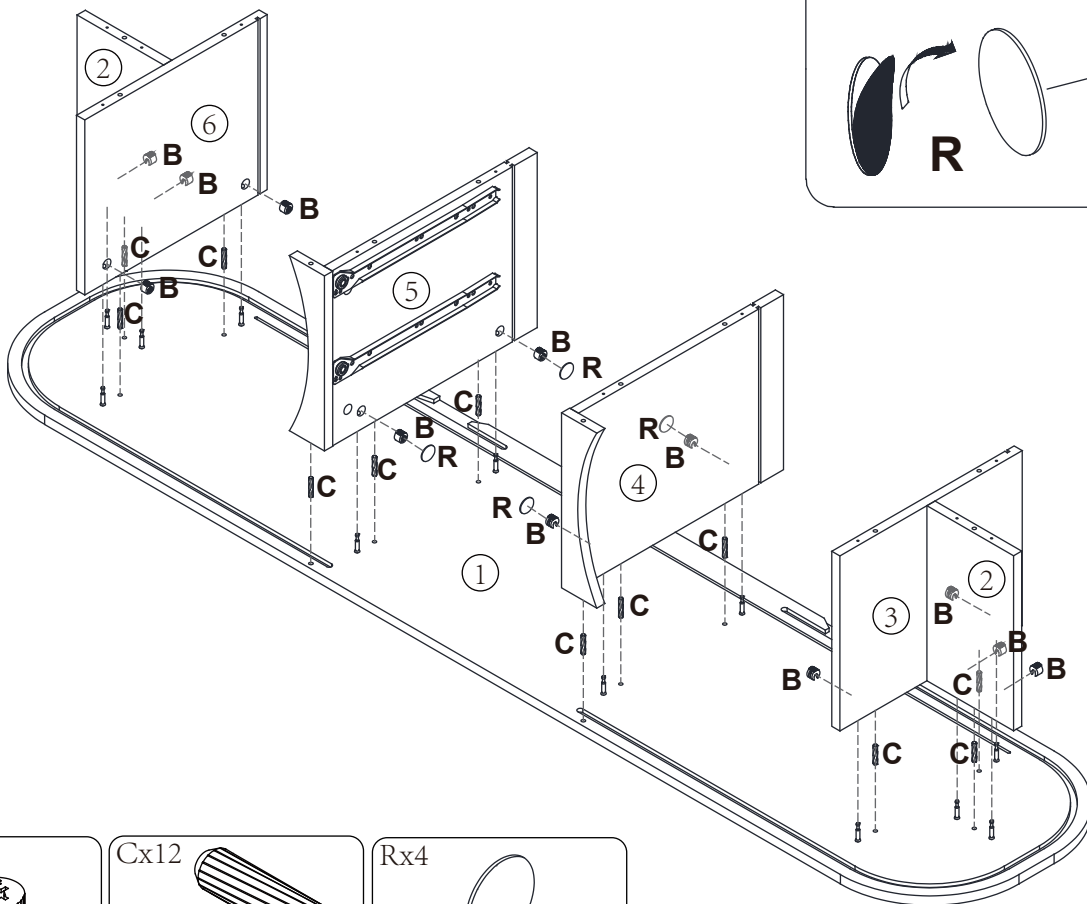
Rx4



# STEP 3

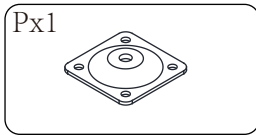
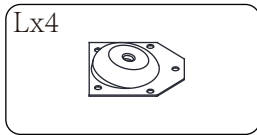
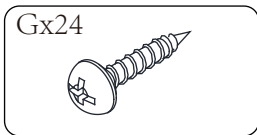
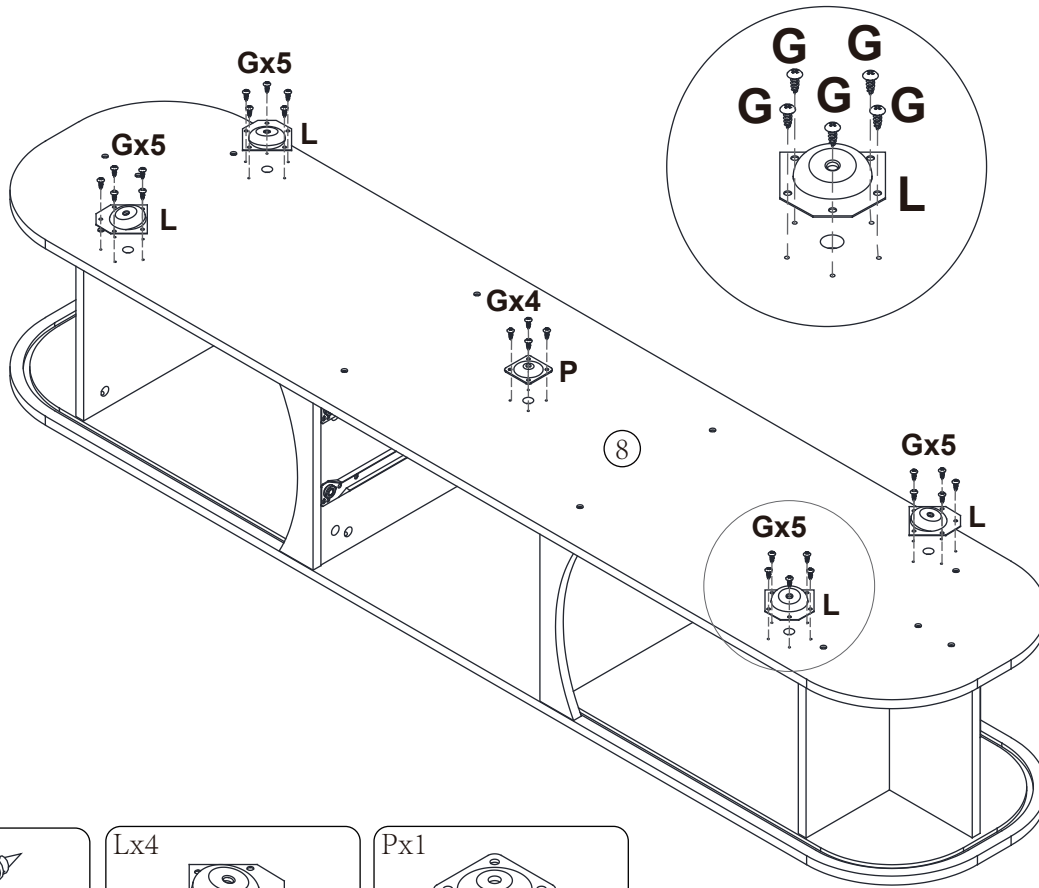


# STEP 4

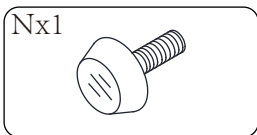
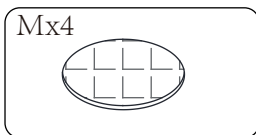
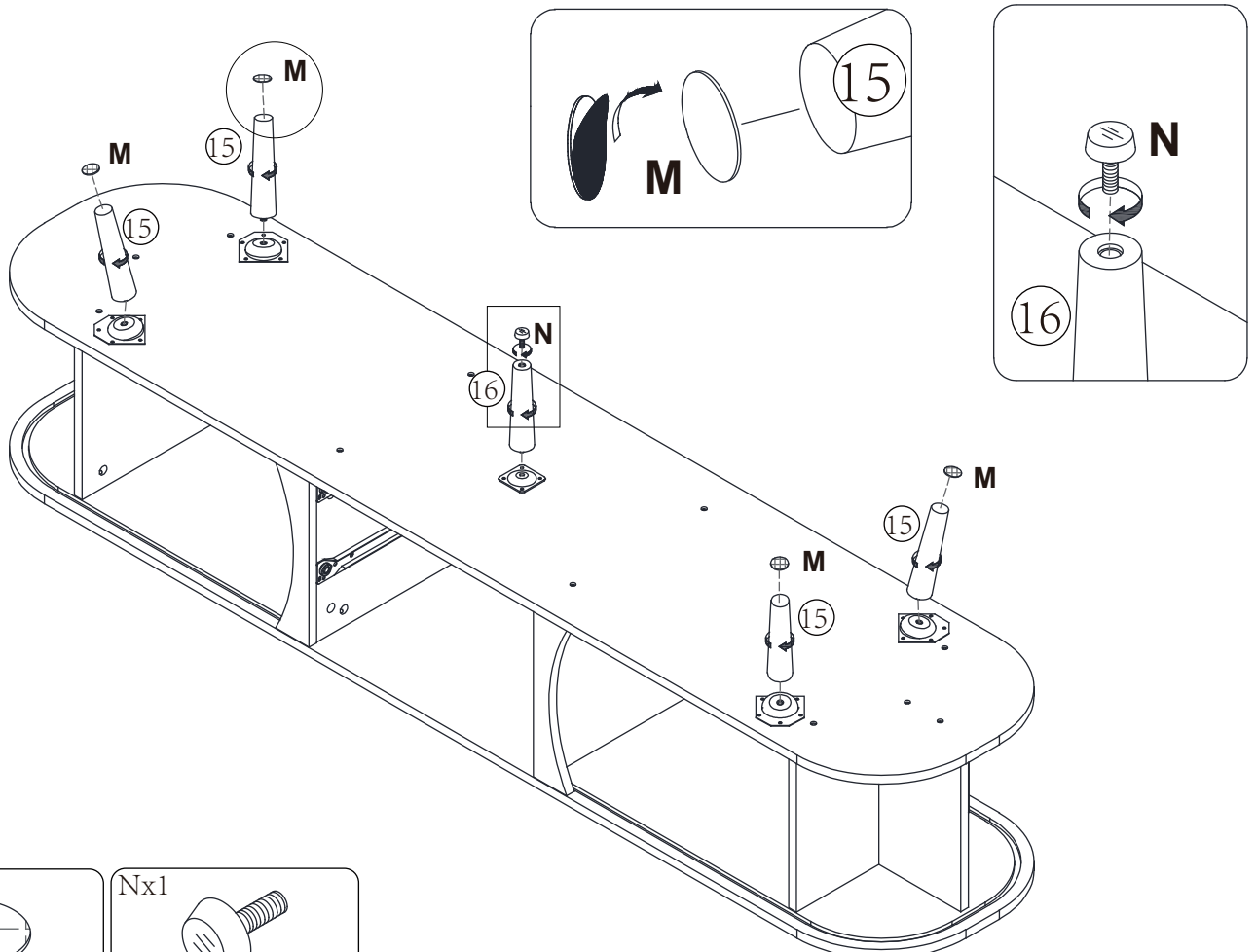




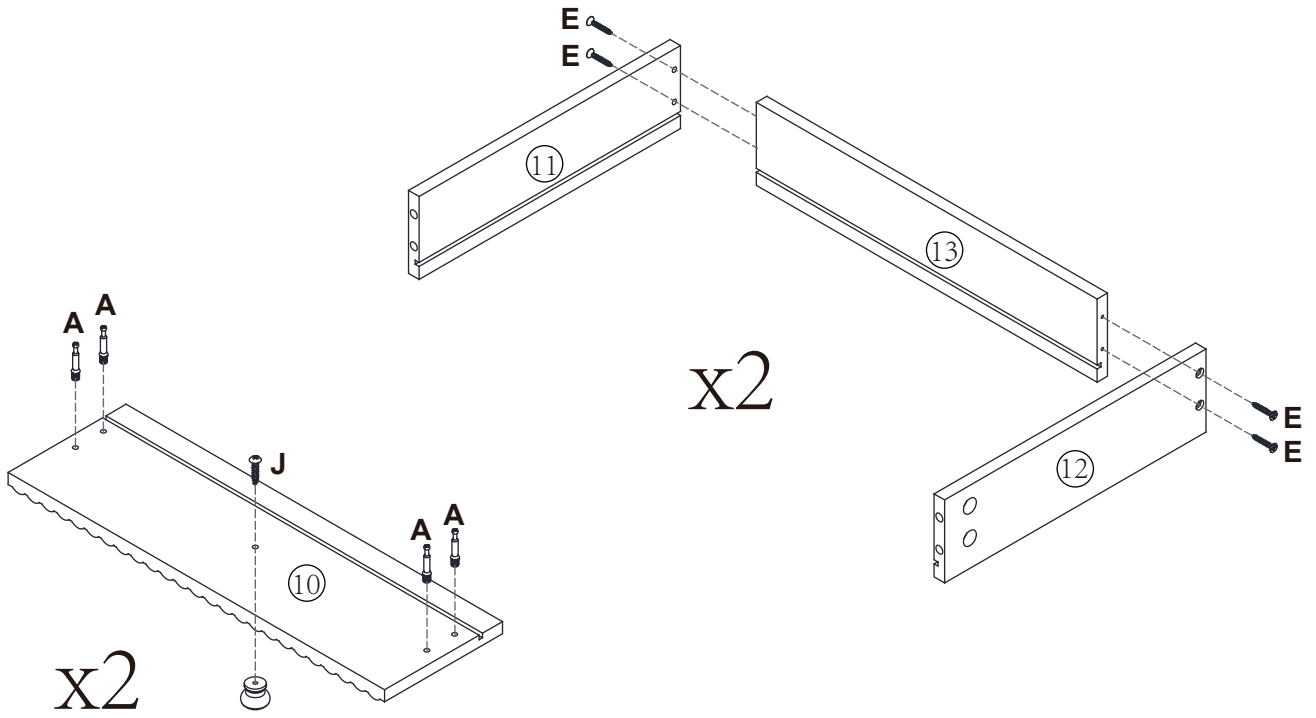
# STEP 7



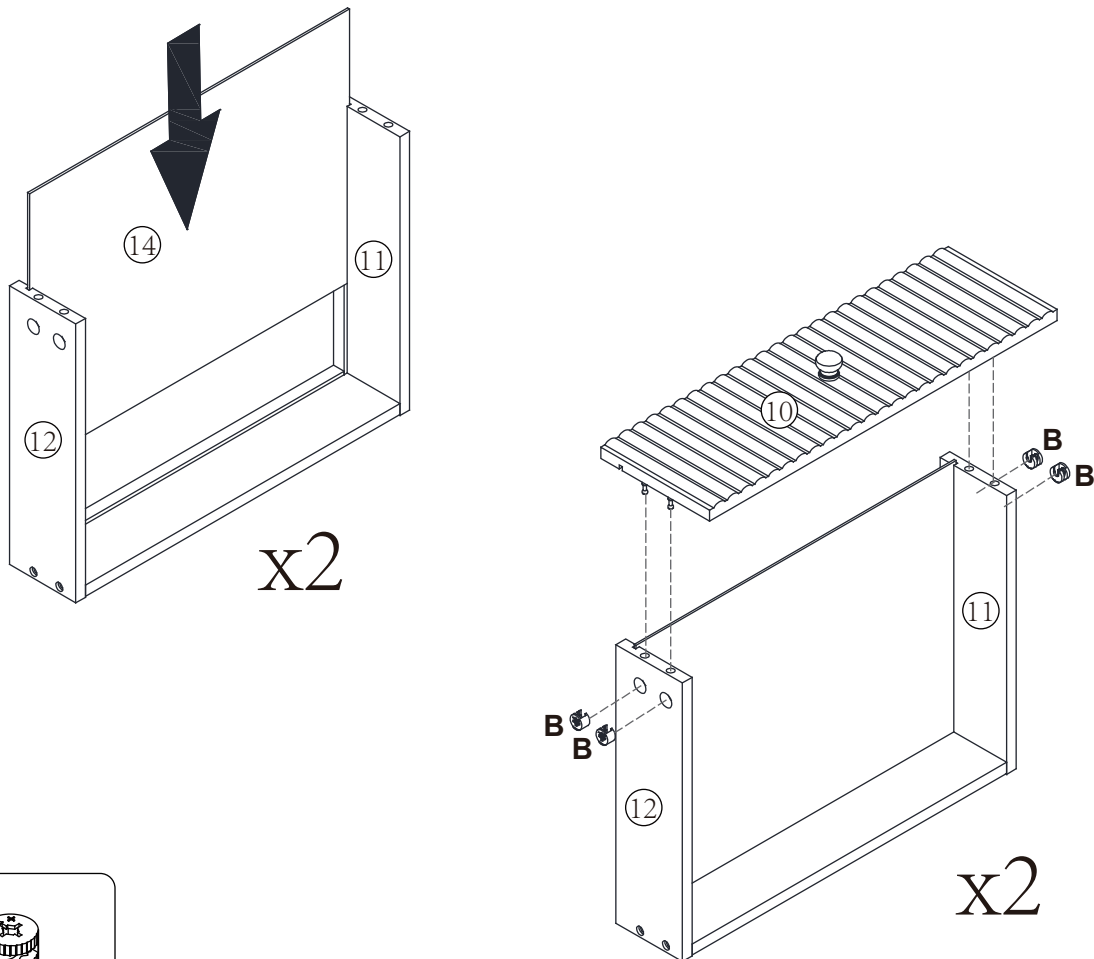
# STEP 8



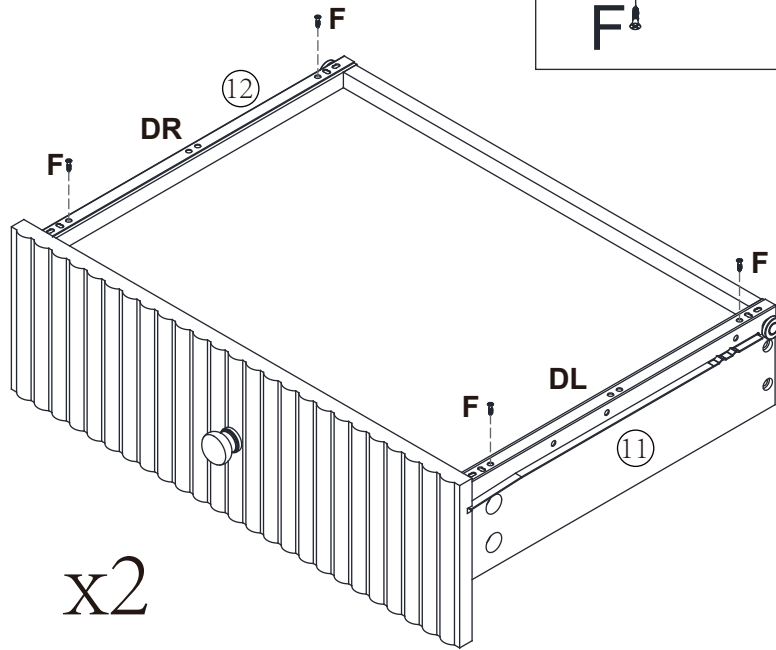
# STEP 9



# STEP 10



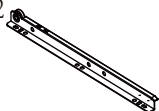
# STEP 11



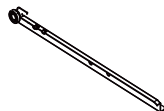
Fx8



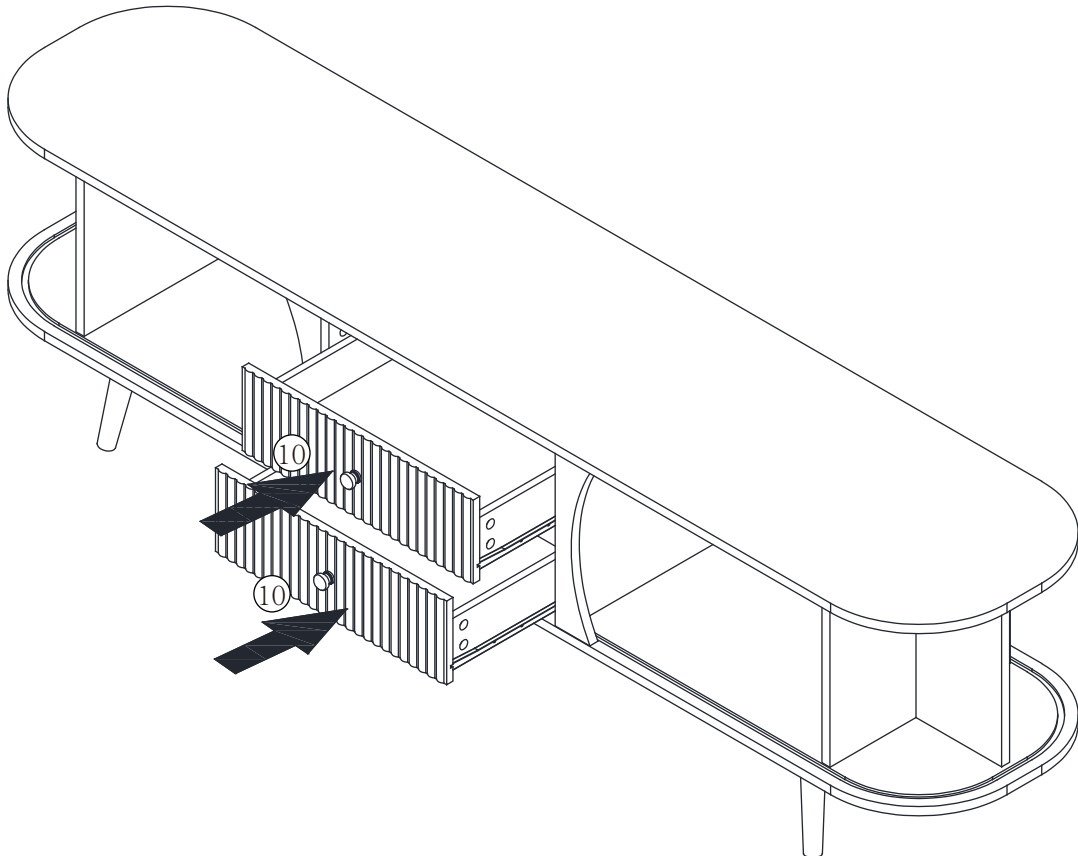
DRx2



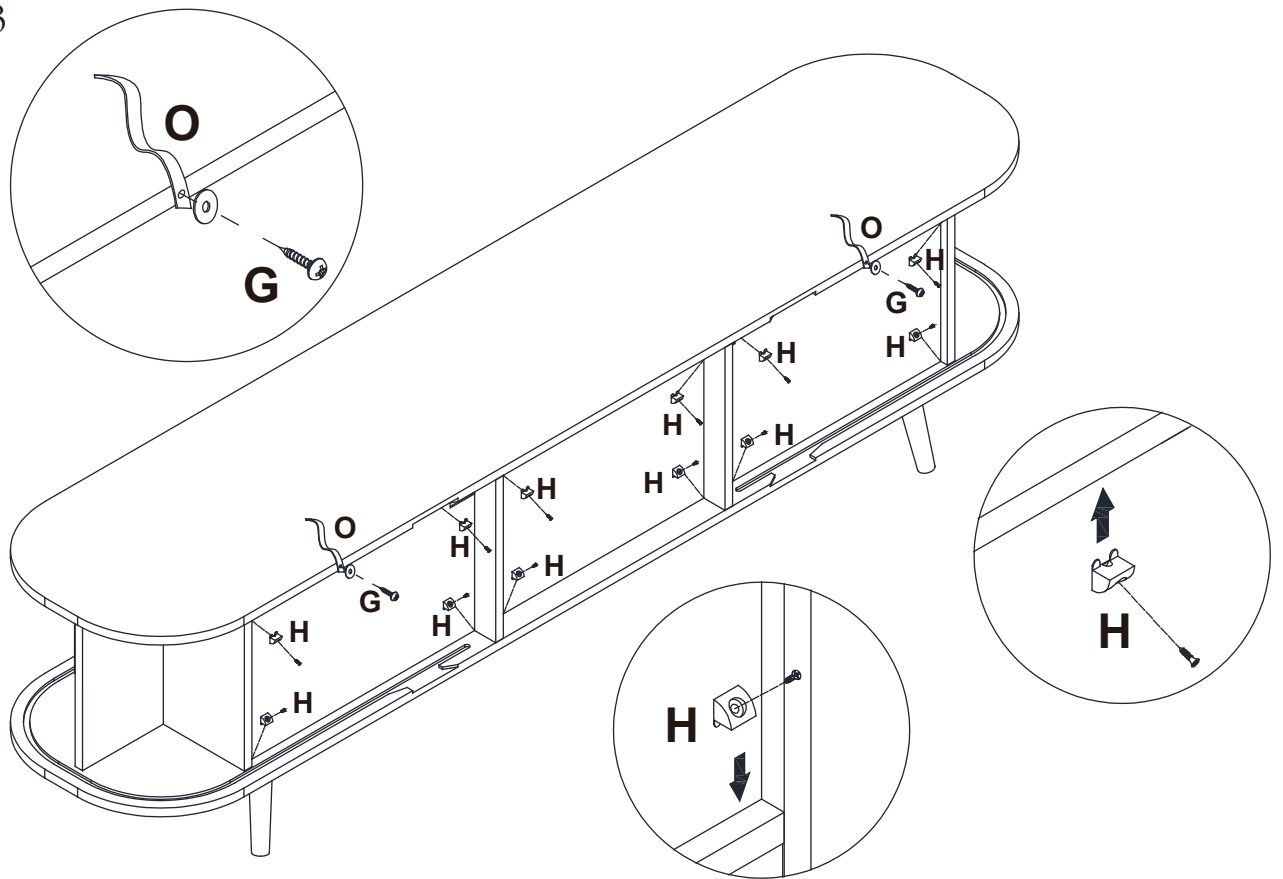
DLx2



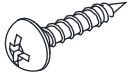
# STEP 12



# STEP 13



Gx2



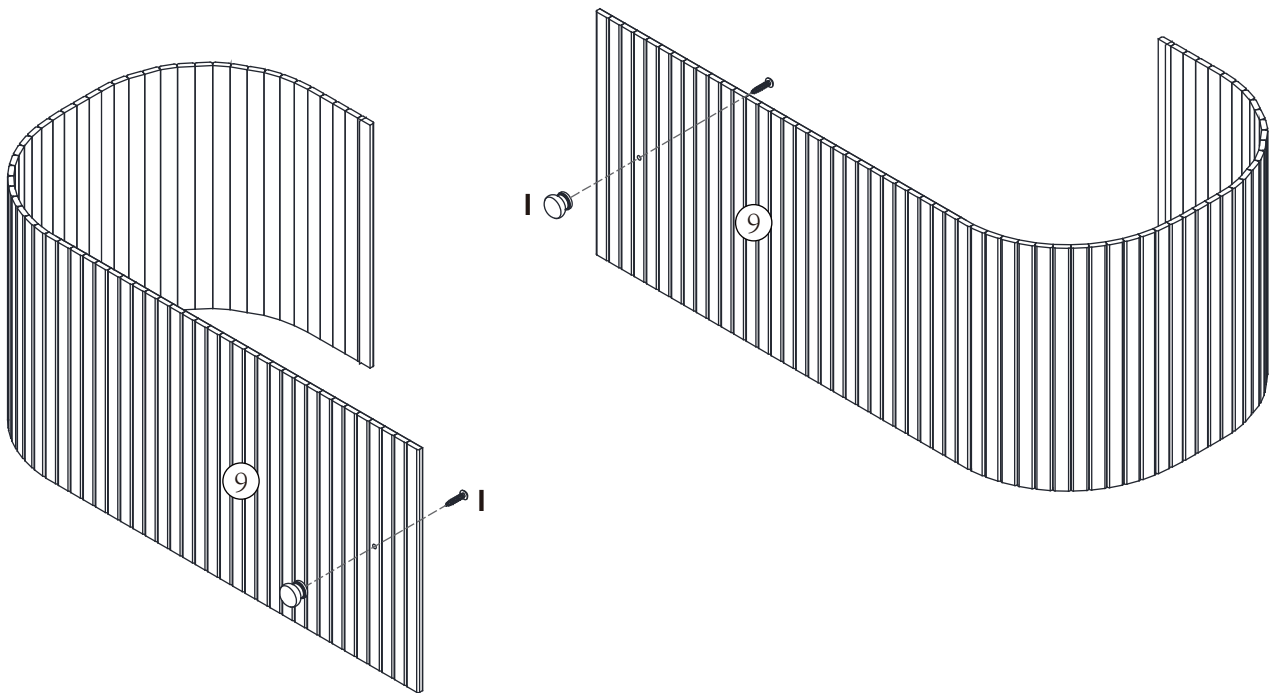
Ox2



Hx12



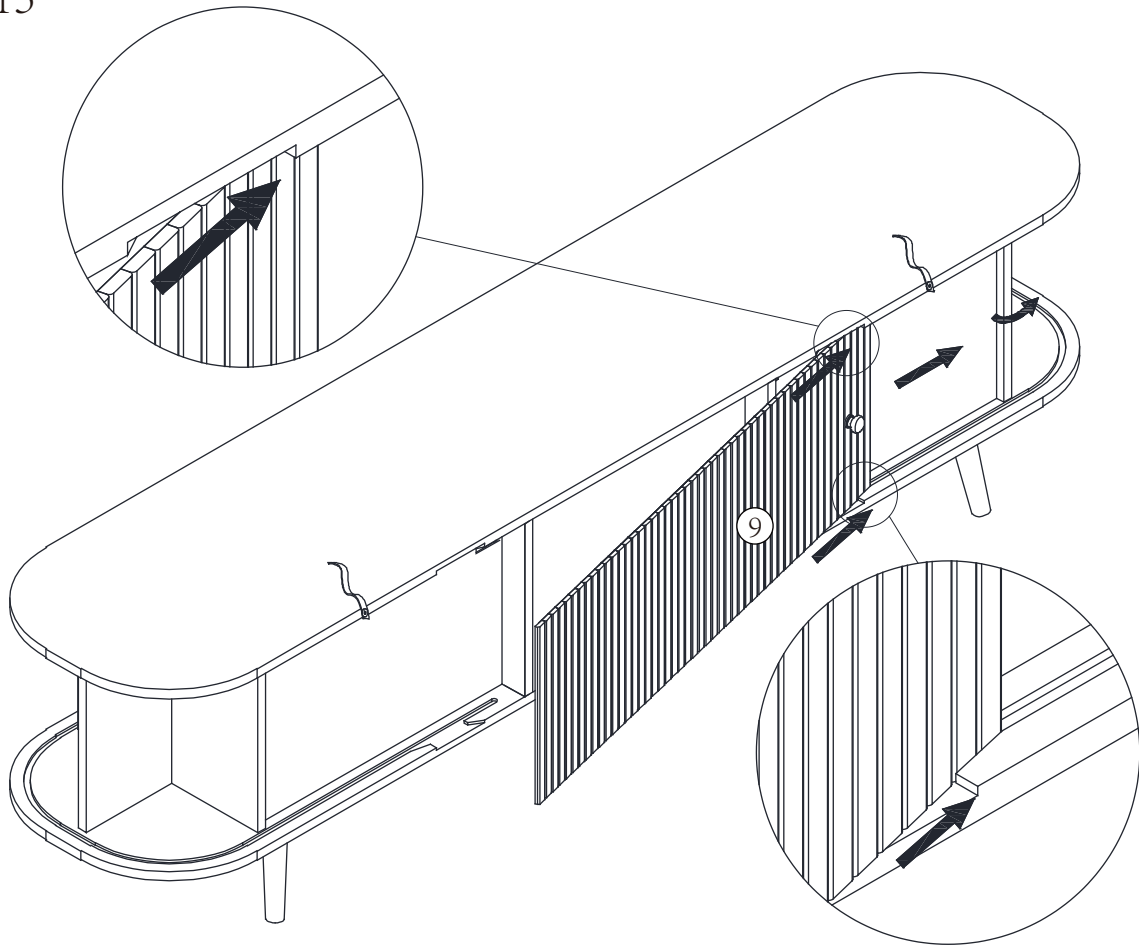
# STEP 14



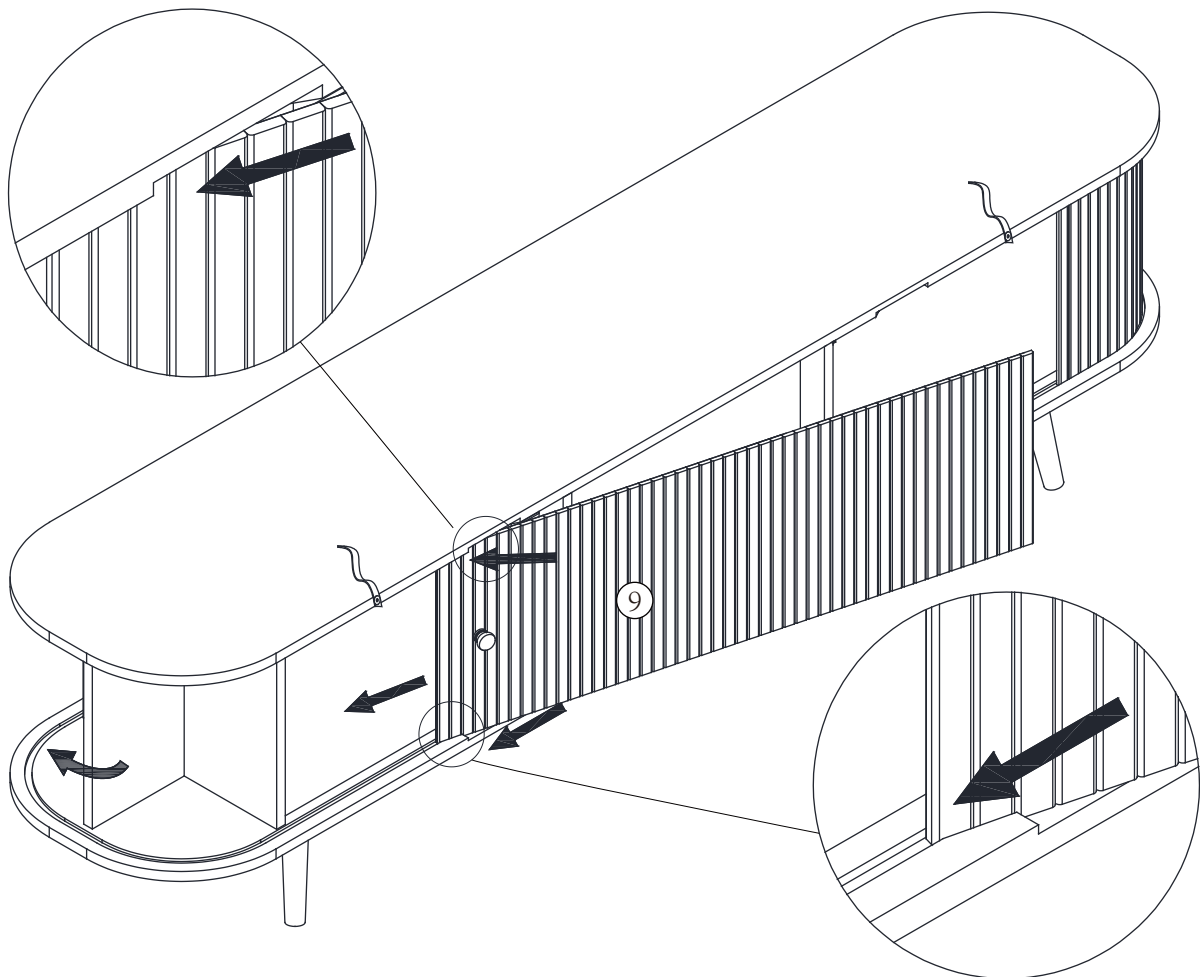
Ix2



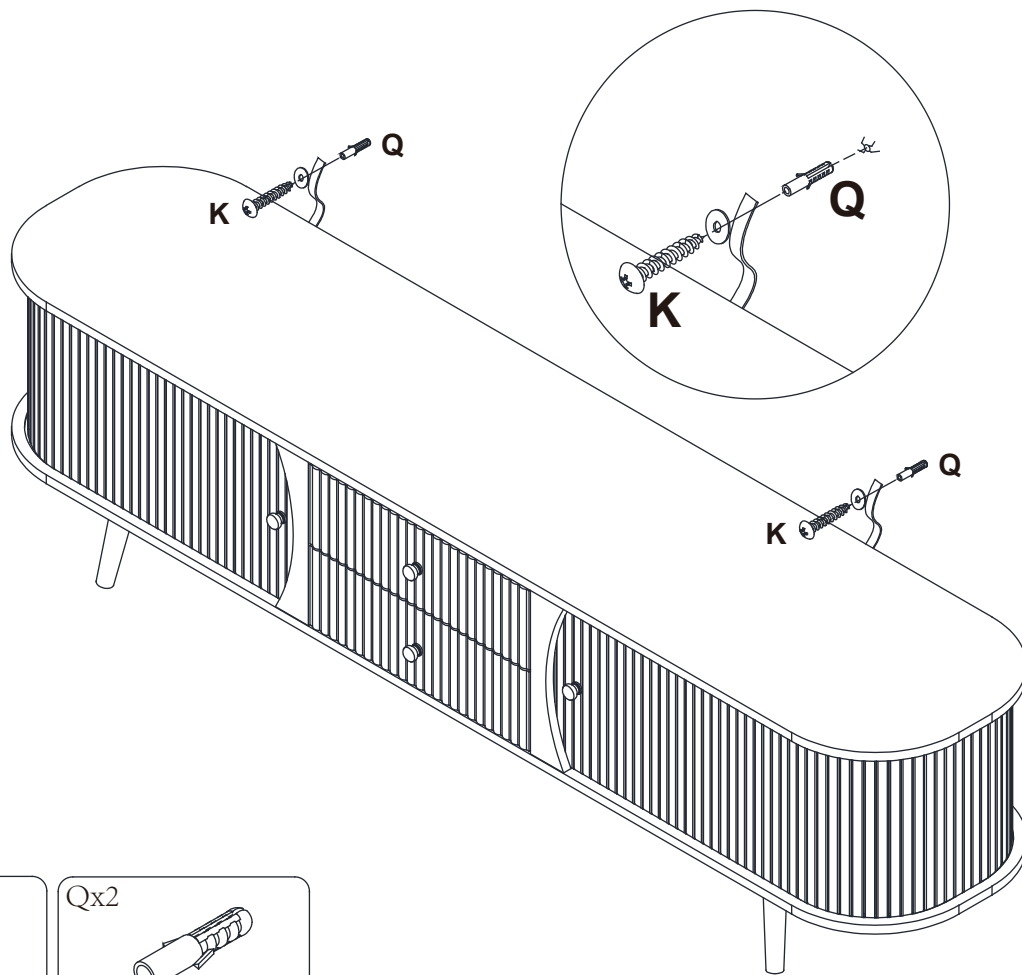
STEP 15



STEP 16



STEP 17



STEP 18

