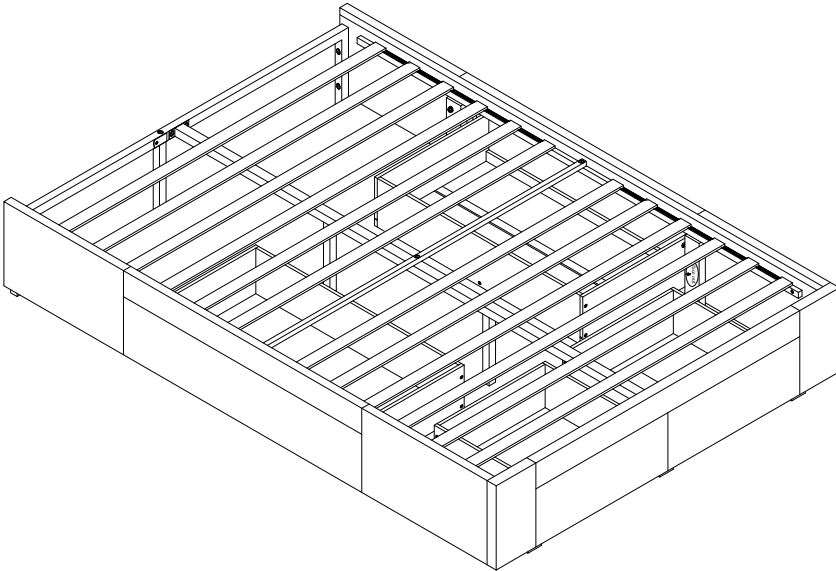


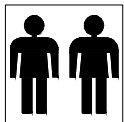
ASSEMBLY INSTRUCTION



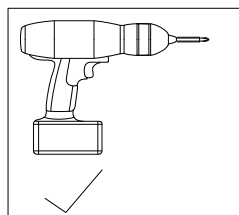
Please **TEAR OFF** this shrink film from side!
DO NOT USE CUTTER!

IMPORTANT NOTE

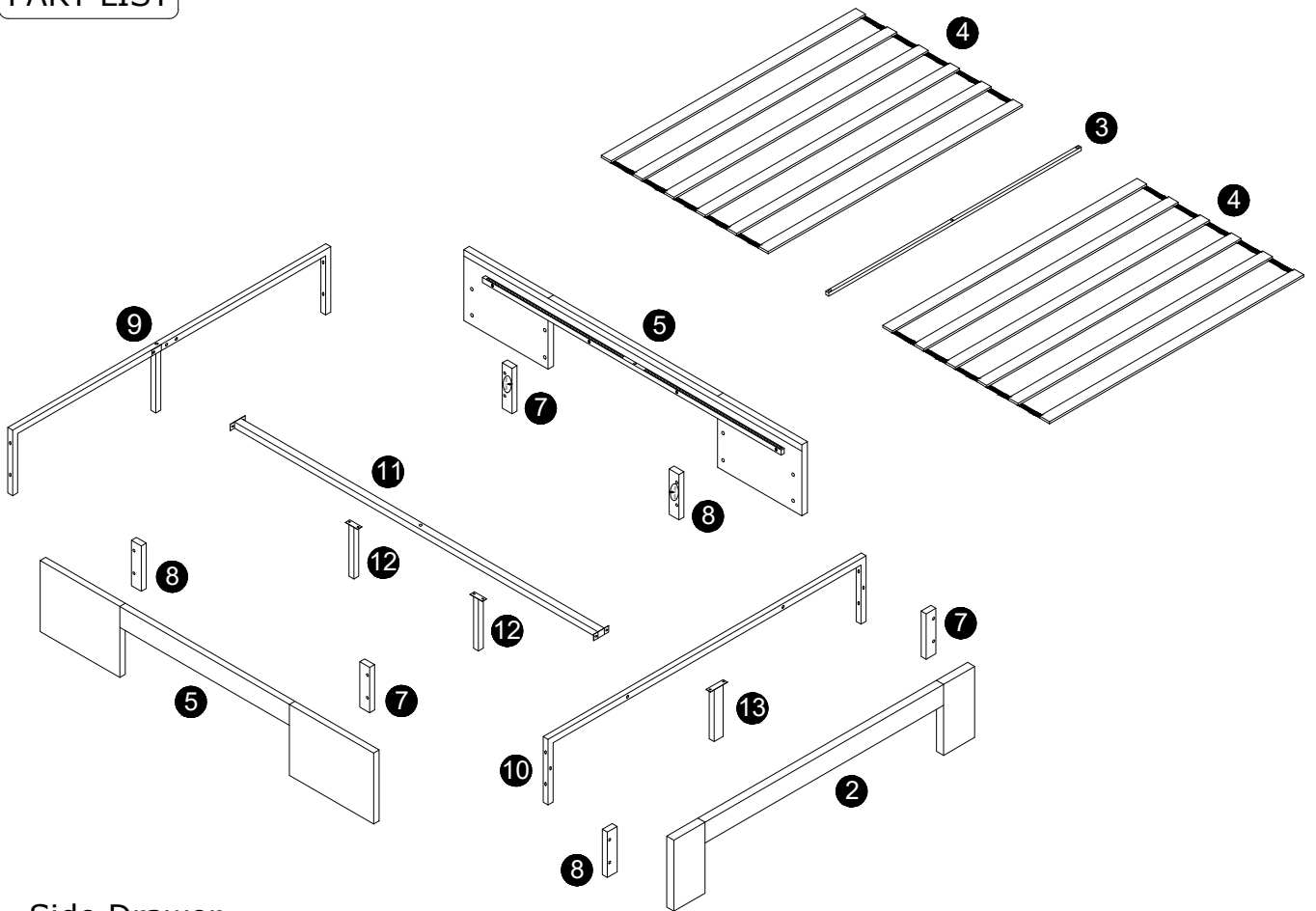
1. For the protection of your furniture, place all parts on a clean and smooth surface to prevent any damage.
2. Keep fittings out of children's reach and keep children well away from construction area.
3. When moving your assembled bed, it is best to lift the bed and never to drag it.
4. Do not use this product if parts are missing, damaged or worn.
5. This product should only be used on firm, level ground.
6. Please periodically check all fittings and re-tighten as necessary.
7. Do not use the bed unless all bolts and screws are firmly secured.
8. For further assistance, please provide a screenshot of your order and contact us via email at



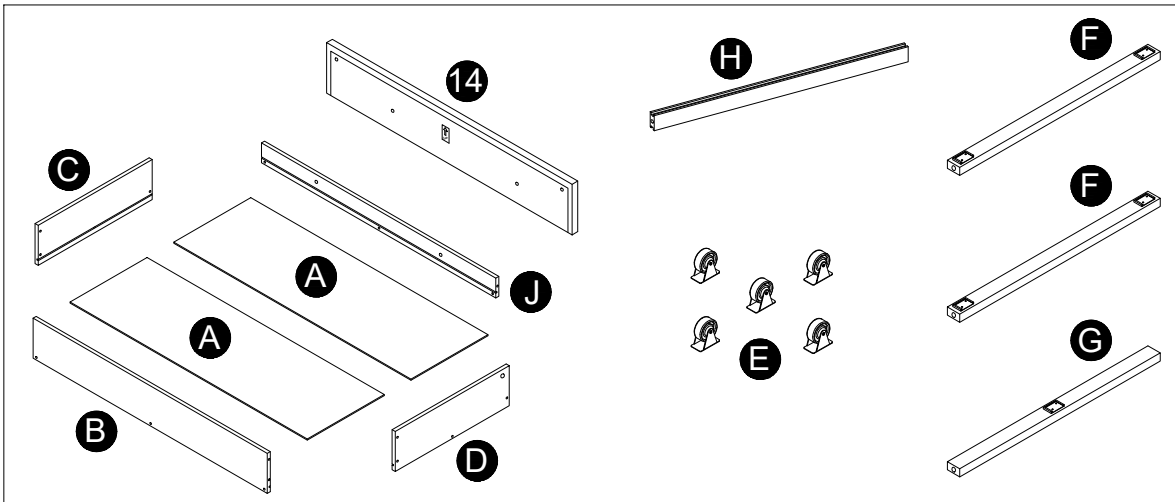
Minimum two
person assembly



PART LIST

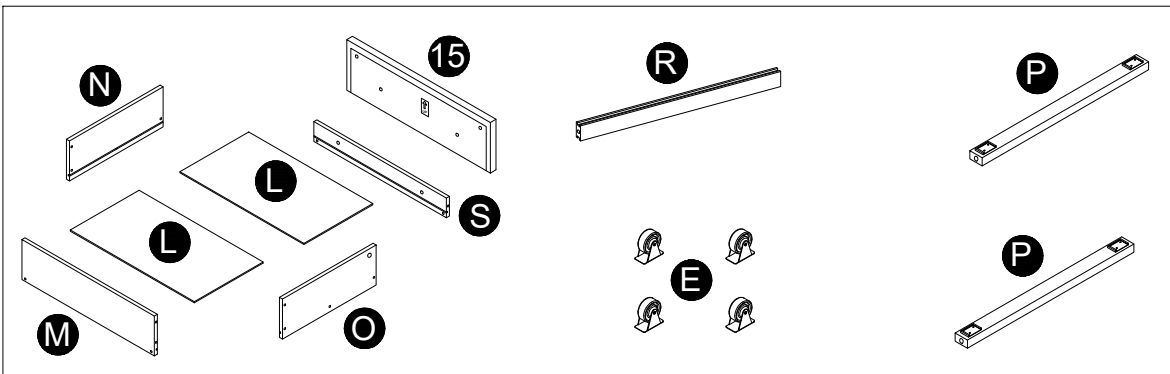


Side Drawer



x2

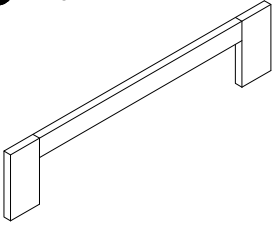
Footboard Drawer



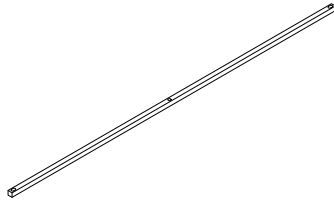
x2

PART LIST

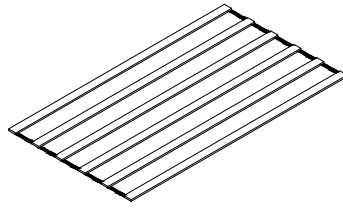
2 x 1pc



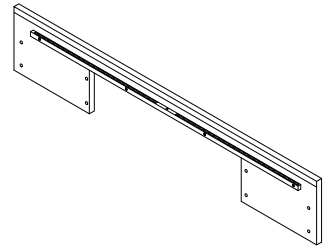
3 x 1pc



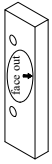
4 x 2pcs



5 x 2pcs



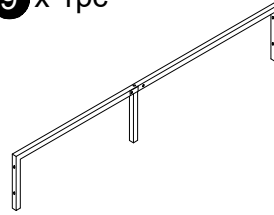
7 x 3pcs



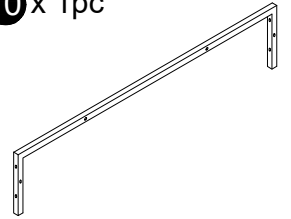
8 x 3pcs



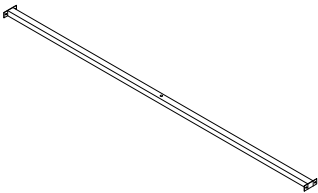
9 x 1pc



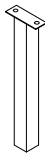
10 x 1pc



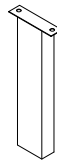
11 x 1pc



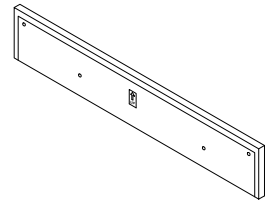
12 x 2pcs



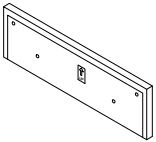
13 x 1pc



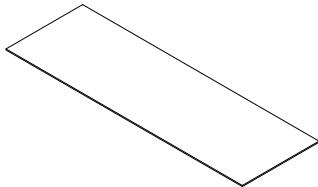
14 x 2pcs



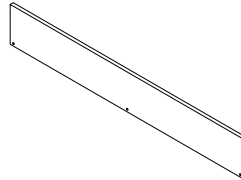
15 x 2pcs



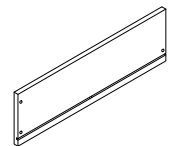
A x 4pcs



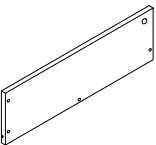
B x 2pcs



C x 2pcs



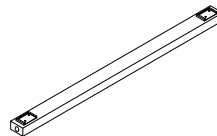
D x 2pcs



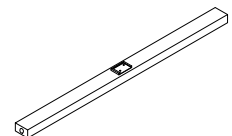
E x 18pcs



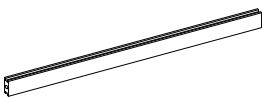
F x 4pcs



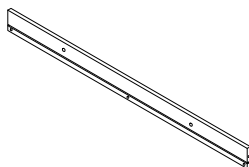
G x 2pcs



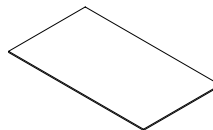
H x 2pcs



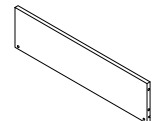
J x 2pcs



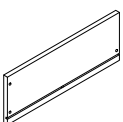
L x 4pcs



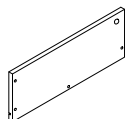
M x 2pcs



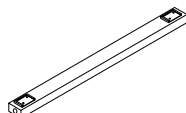
N x 2pcs



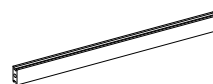
O x 2pcs



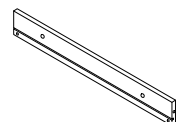
P x 4pcs



R x 2pcs

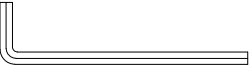
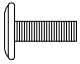



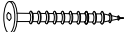





S x 2pcs

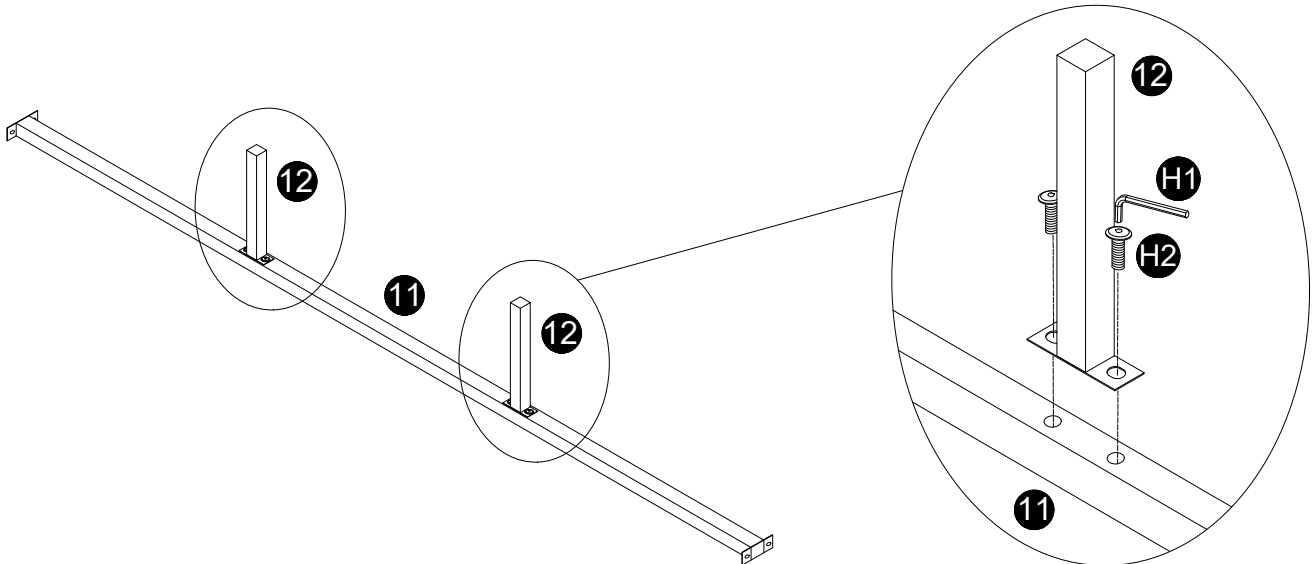


Please ensure to thoroughly inspect the small inner cardboard box containing the hardware, which are tied with a red string, before disposing of the box.

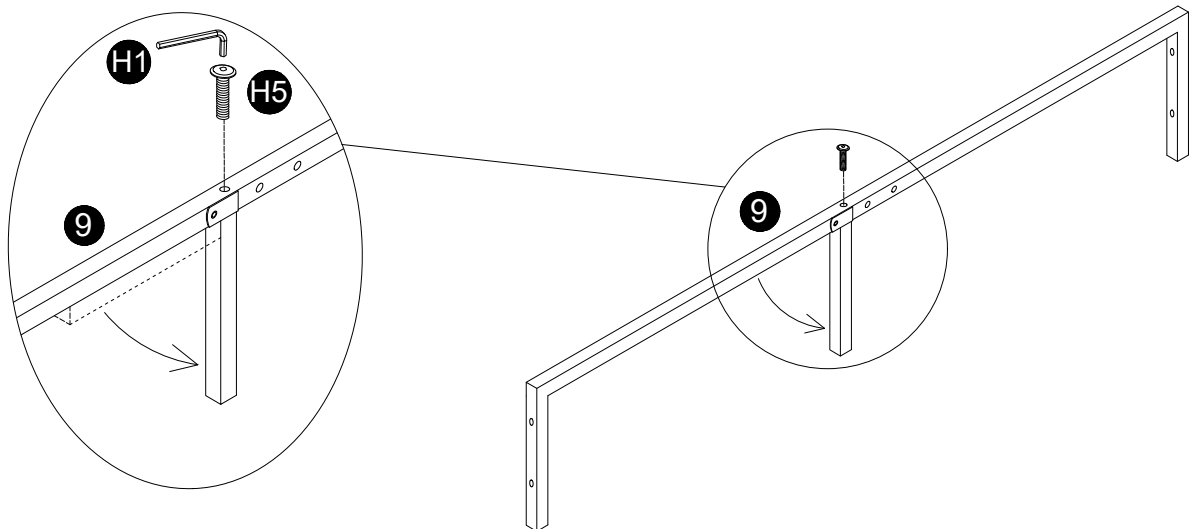
HARDWARE LIST

			
H1 M5 x 1pc	H2 M8x20mm x 10pcs	H3 M8x30mm x 8pcs	H4 M8x40mm x 15pcs
			
H5 M8x45mm x 13pcs	H10 M6x45mm x 52pcs	H11 M4 x 1pc	H12 x 8pcs
			
			H13 x 8pcs

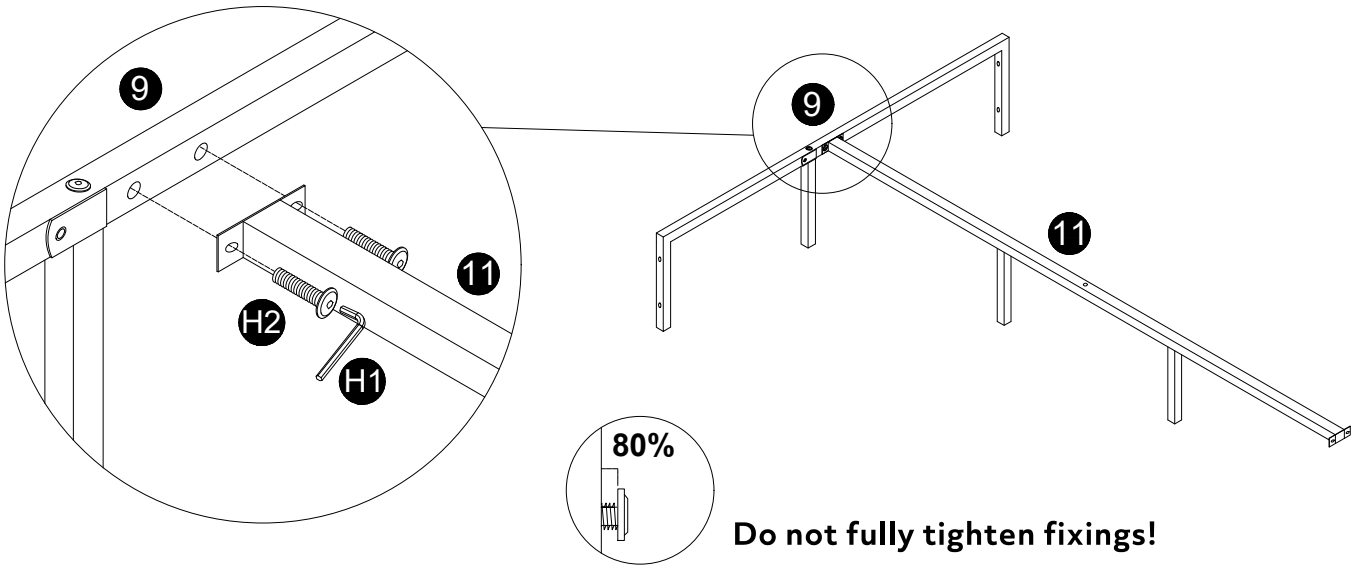
1



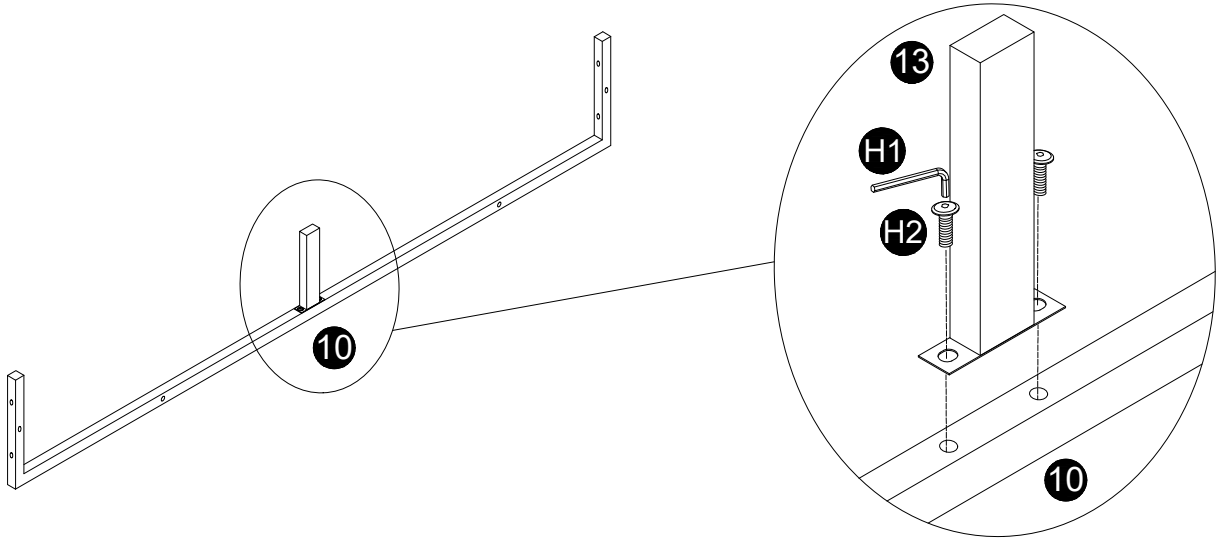
2



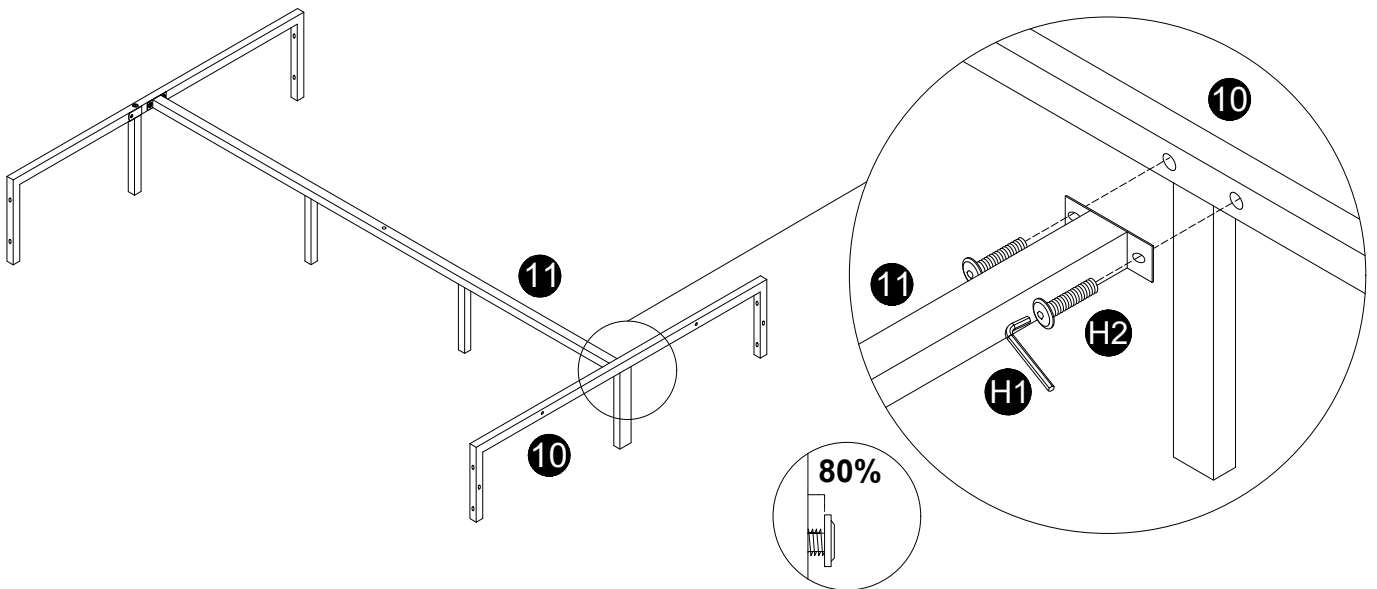
3



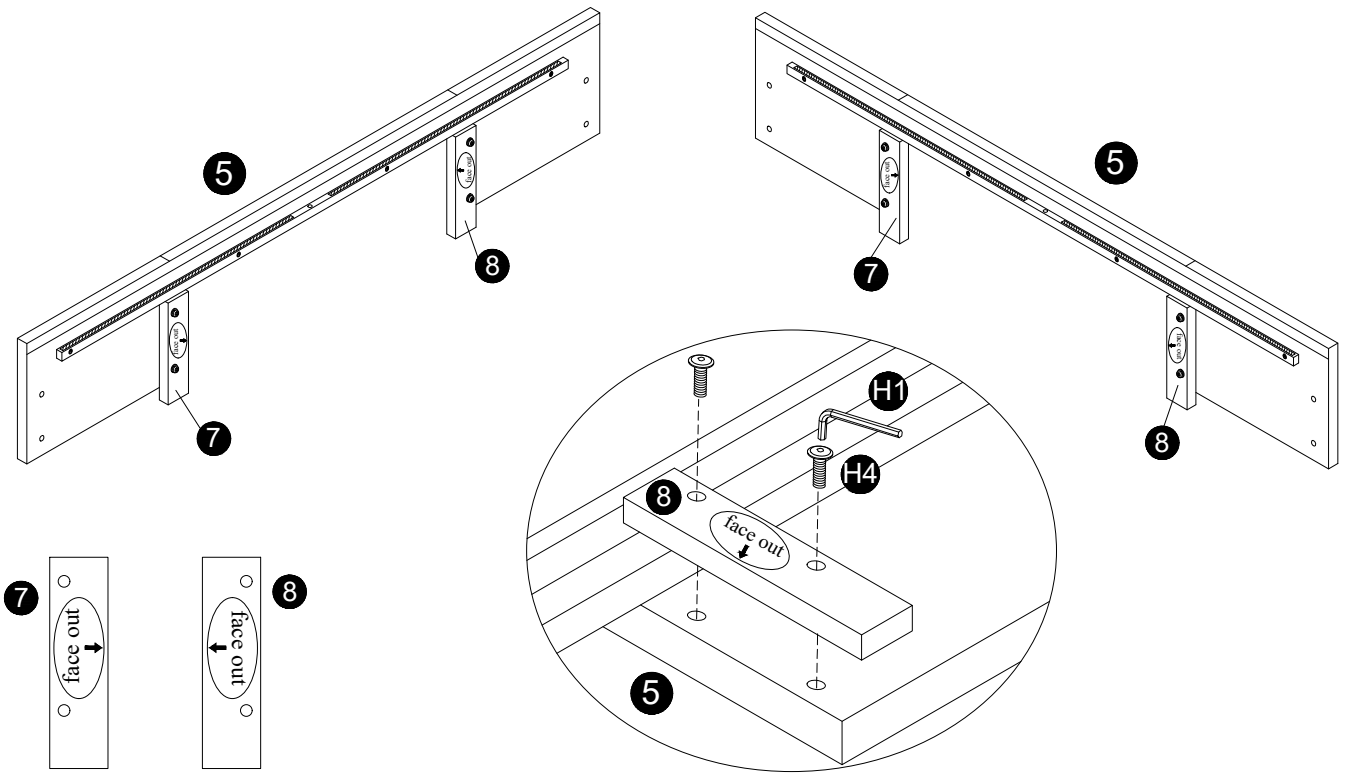
4



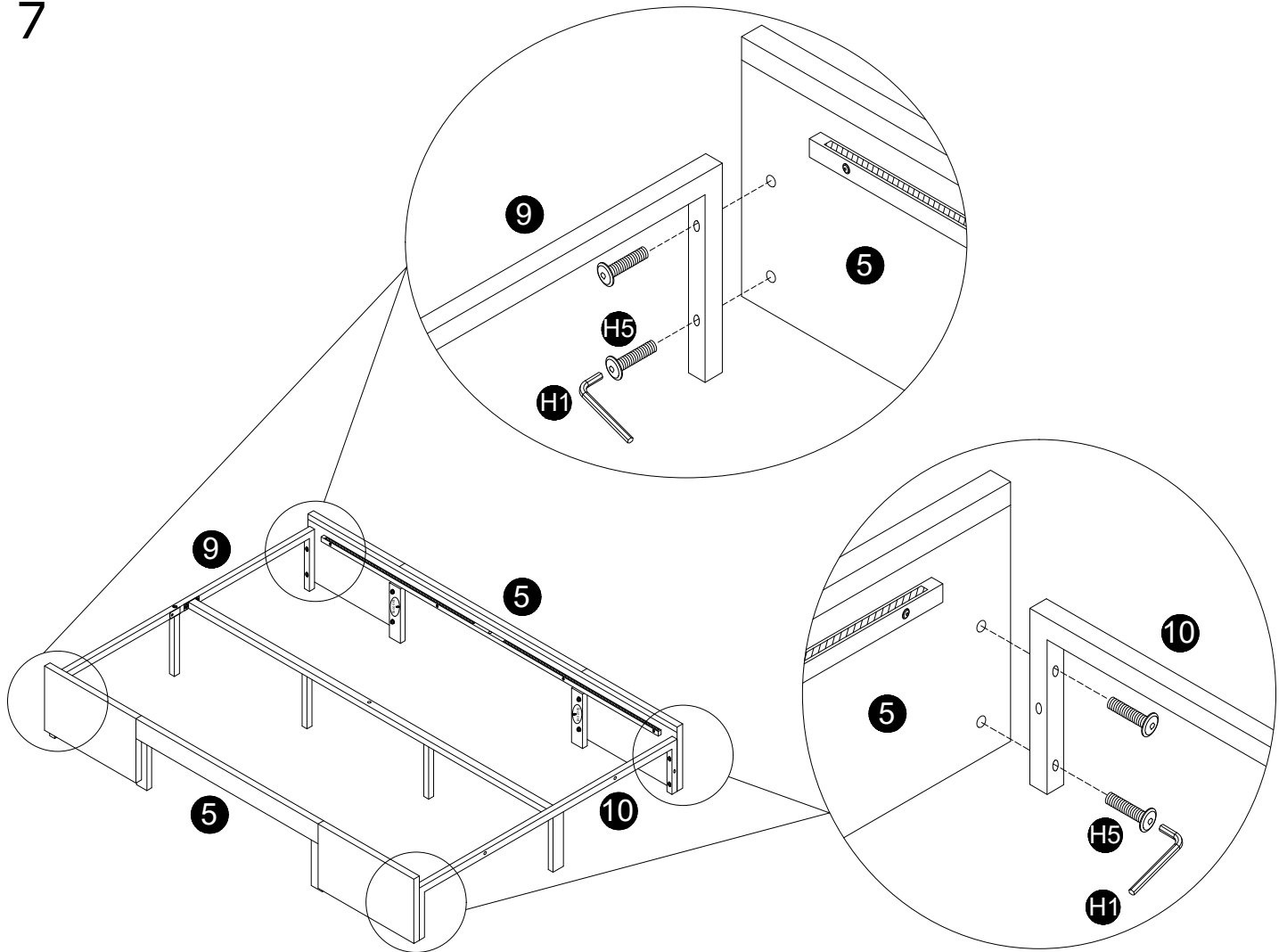
5



6

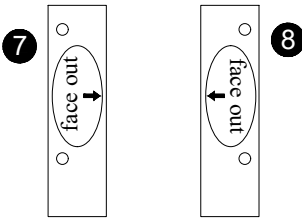
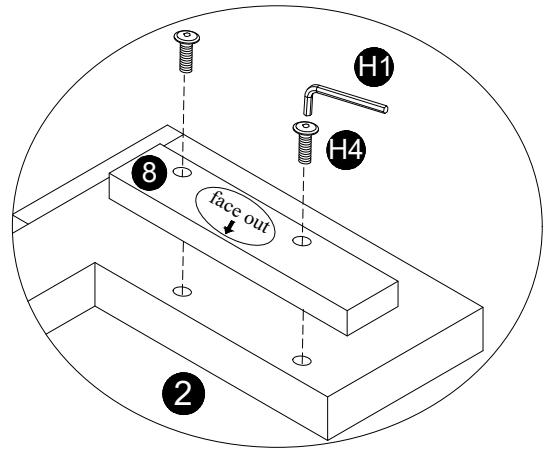
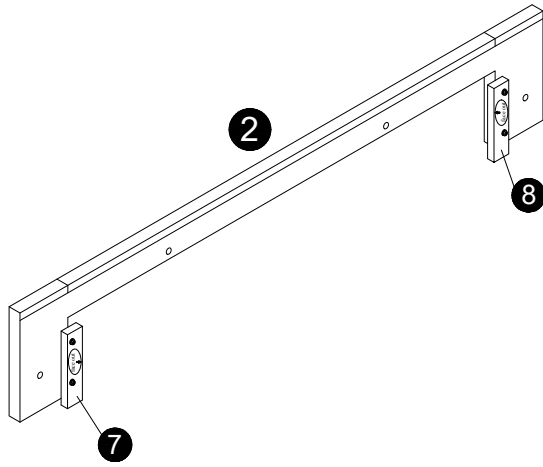


7

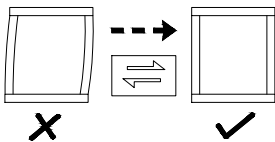
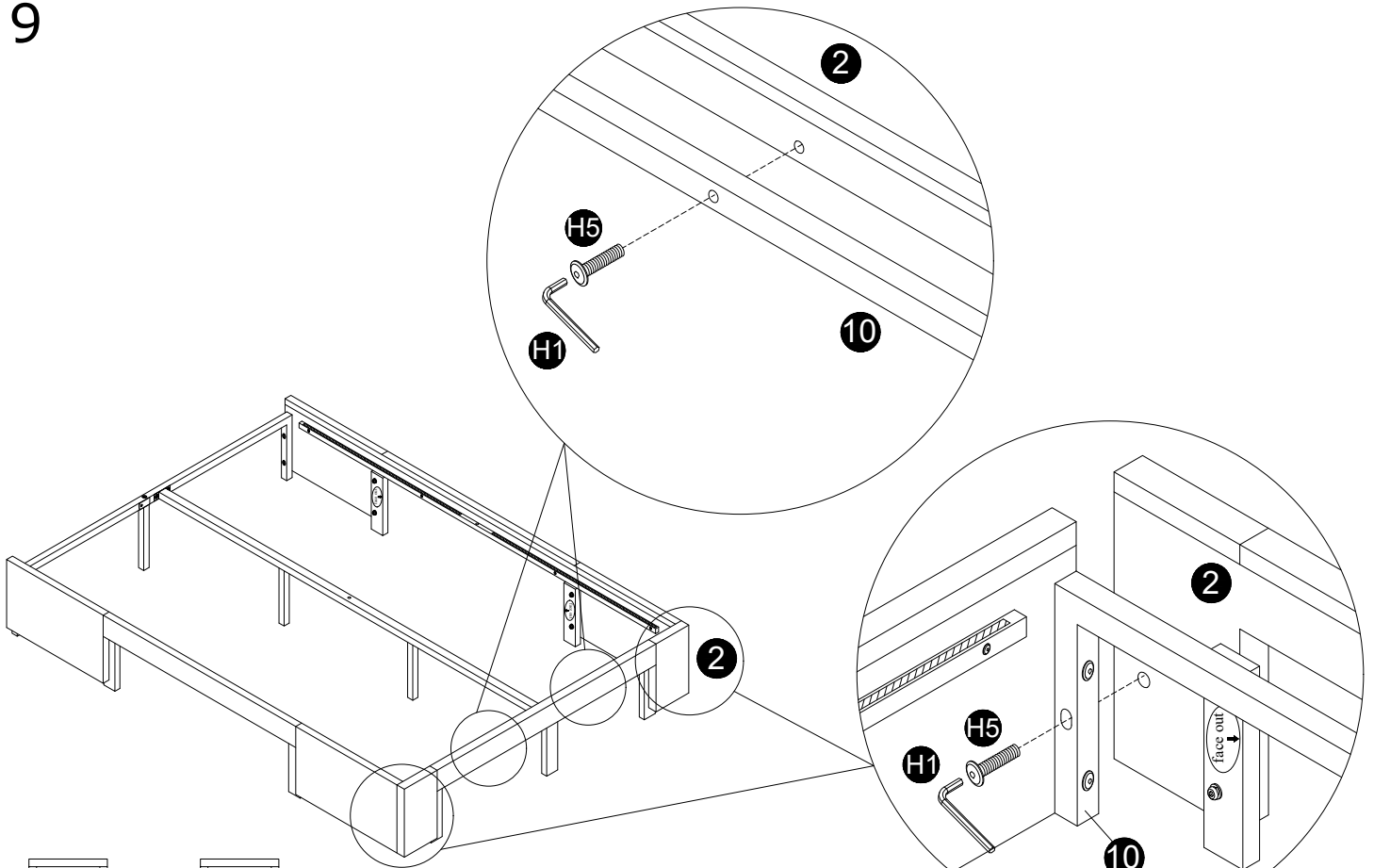


6

8

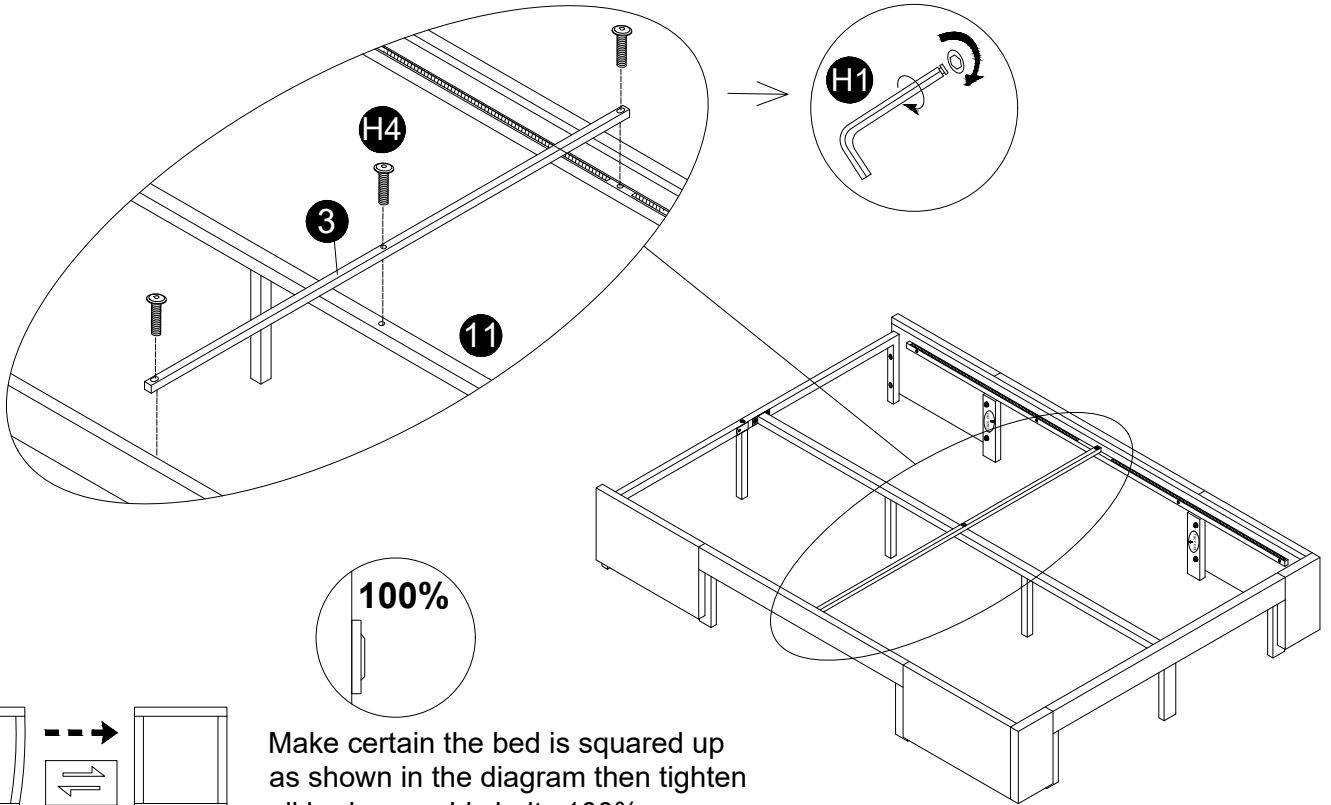


9



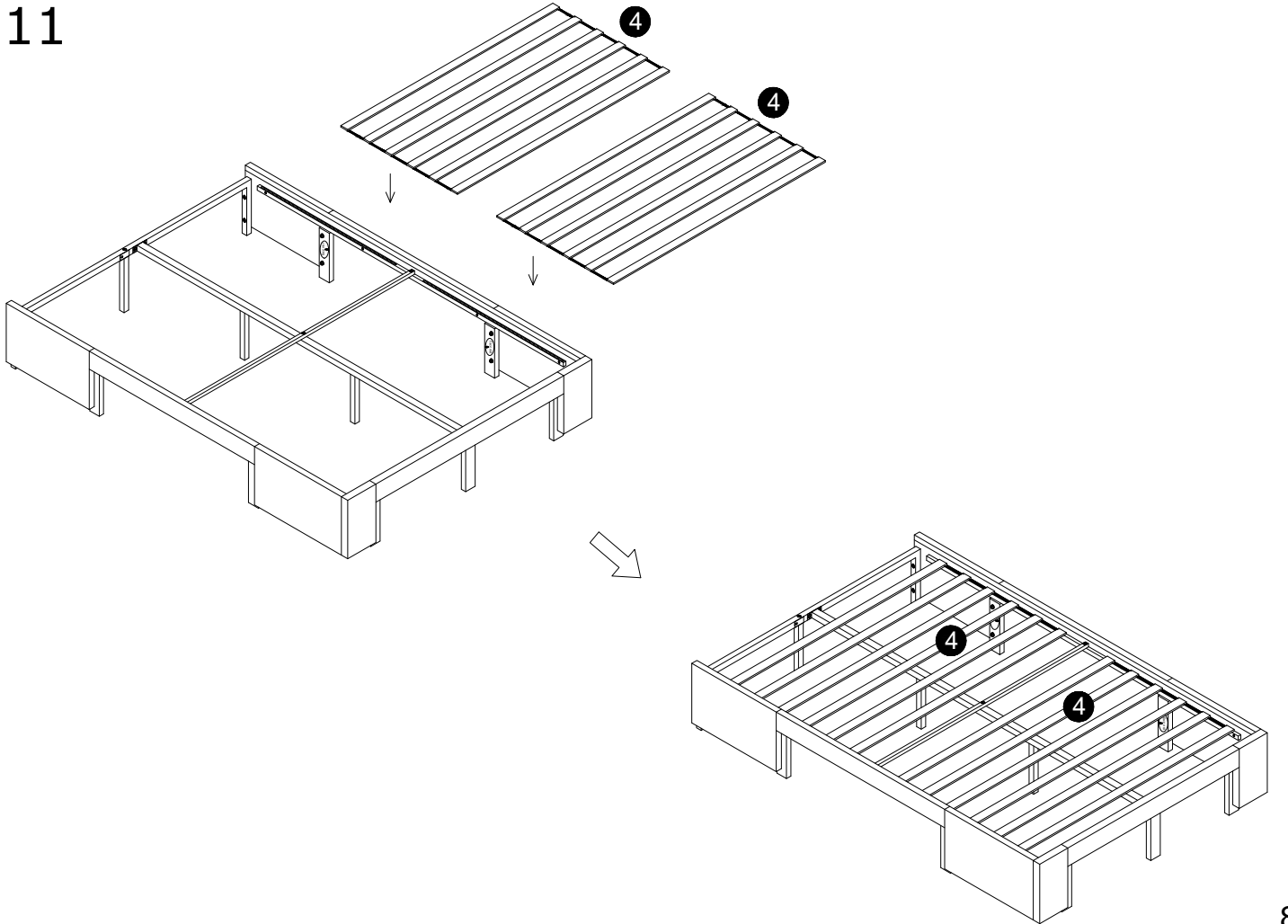
Make certain the bed is squared up as shown in the diagram then tighten all bed assembly bolts 90%.

10



Make certain the bed is squared up as shown in the diagram then tighten all bed assembly bolts 100%.

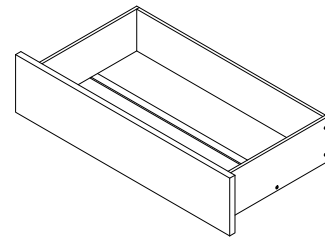
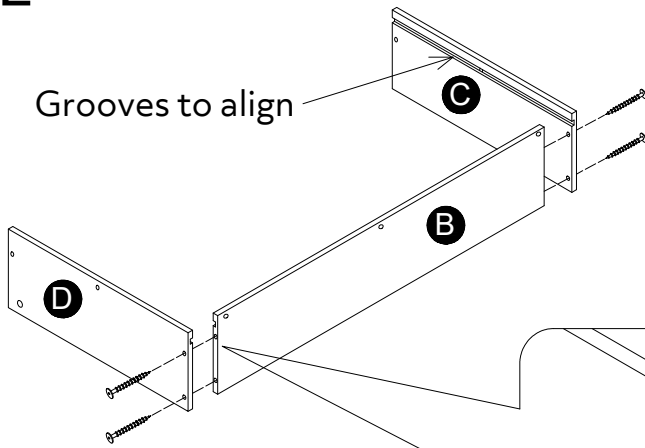
11



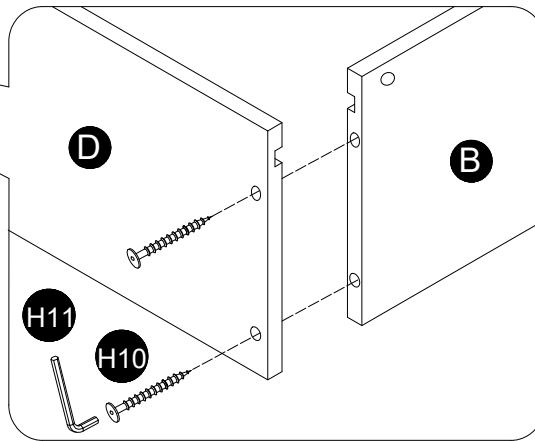
12

Assemble the side drawers

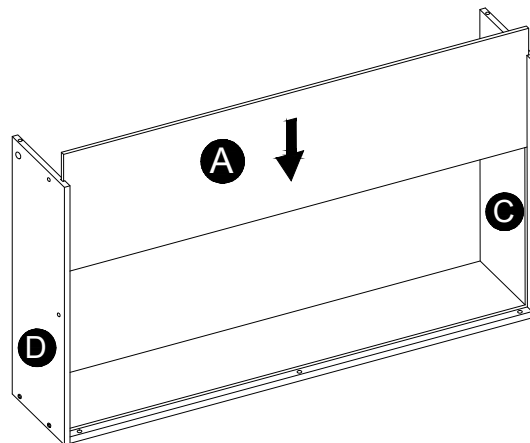
Grooves to align



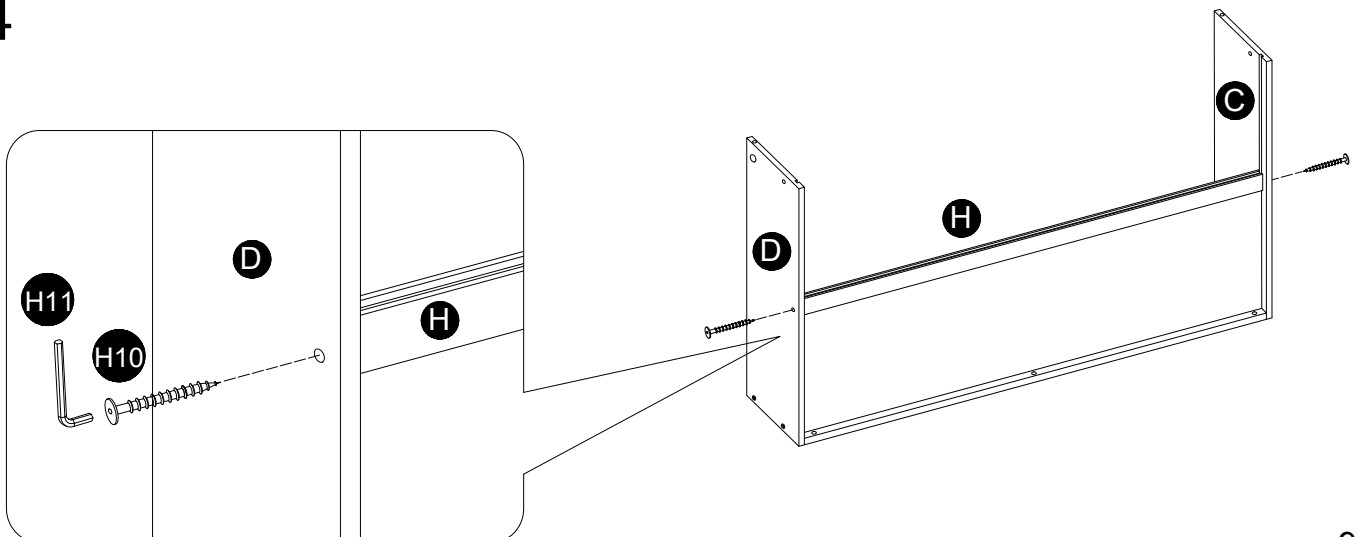
x2



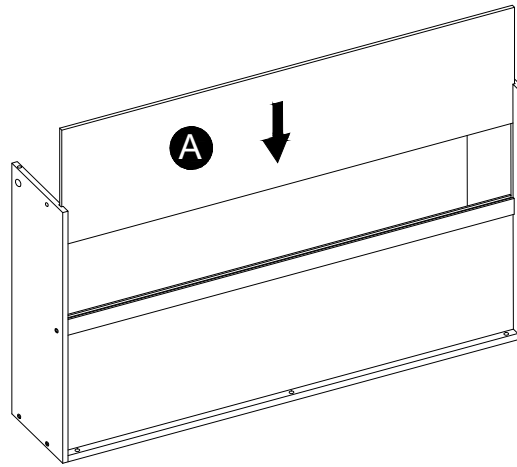
13



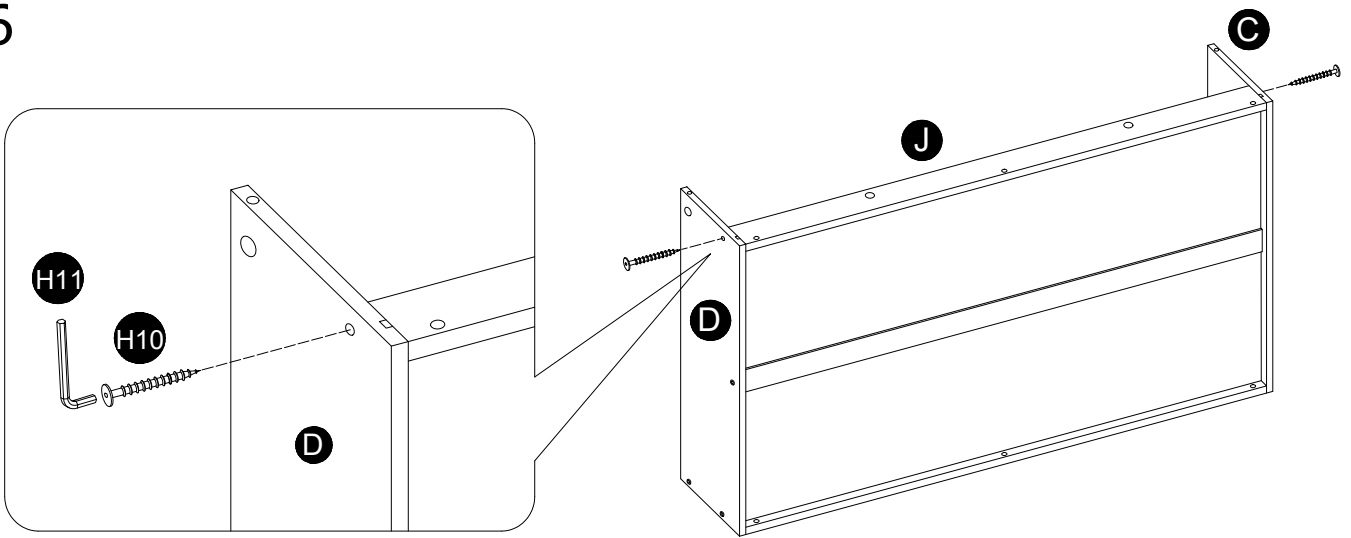
14



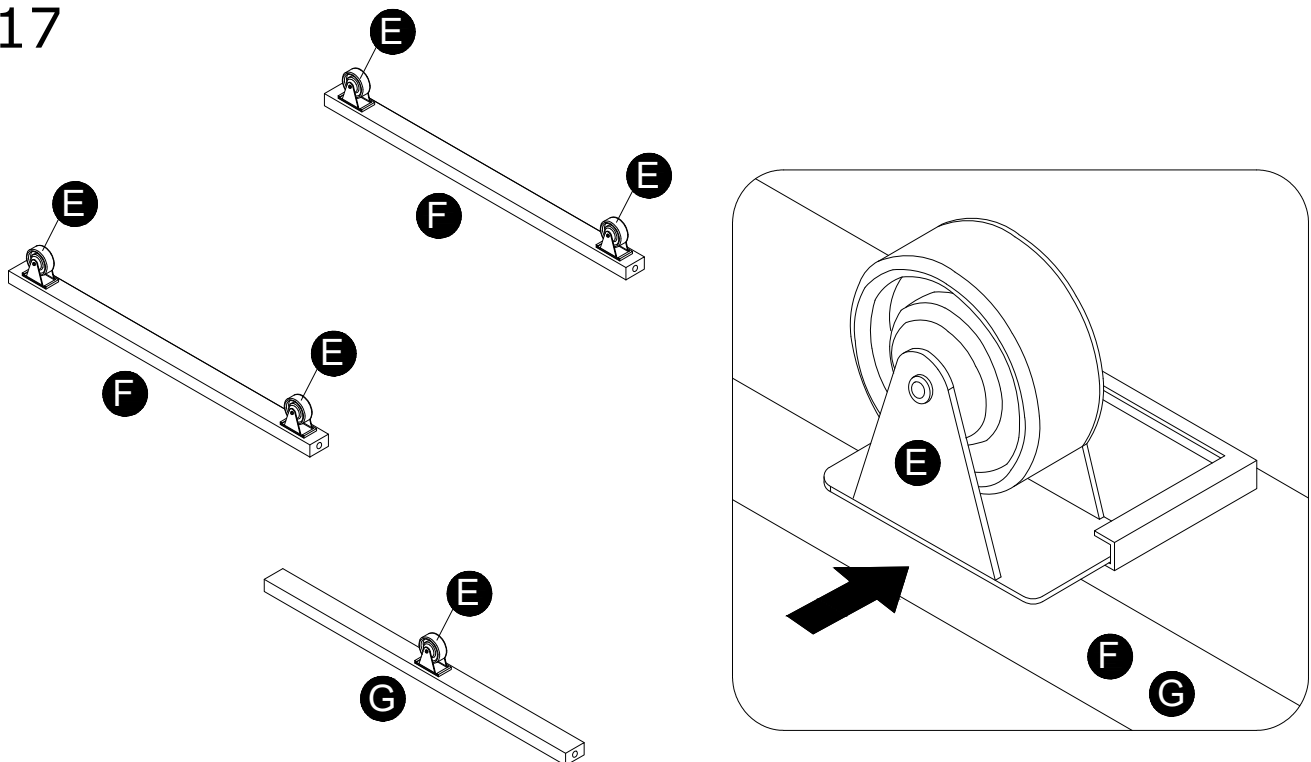
15



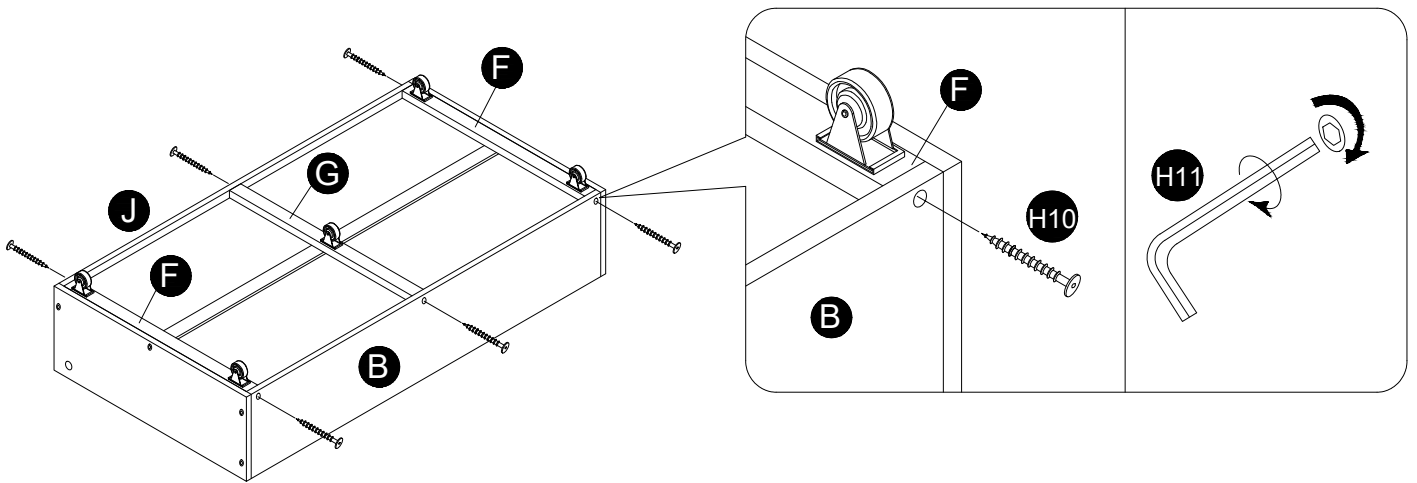
16



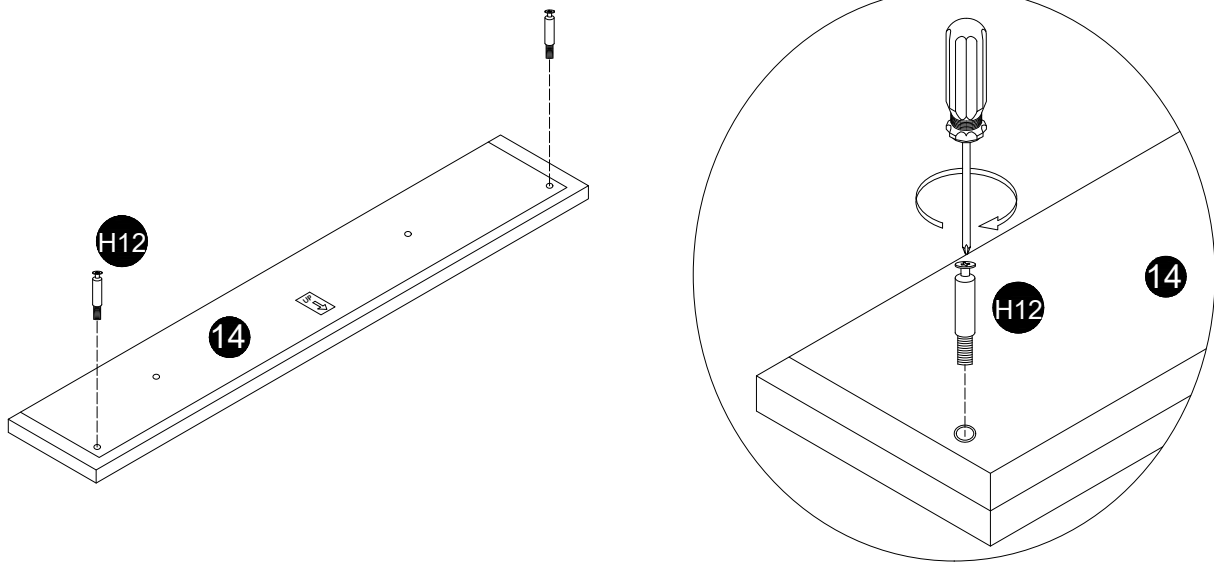
17



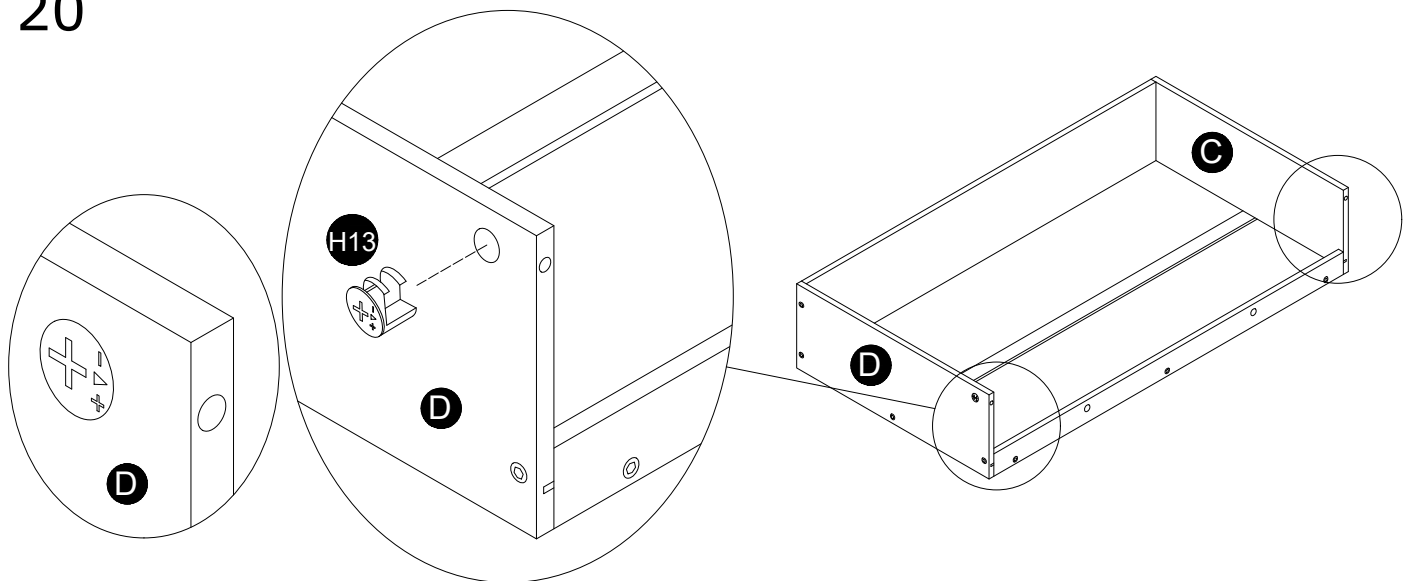
18



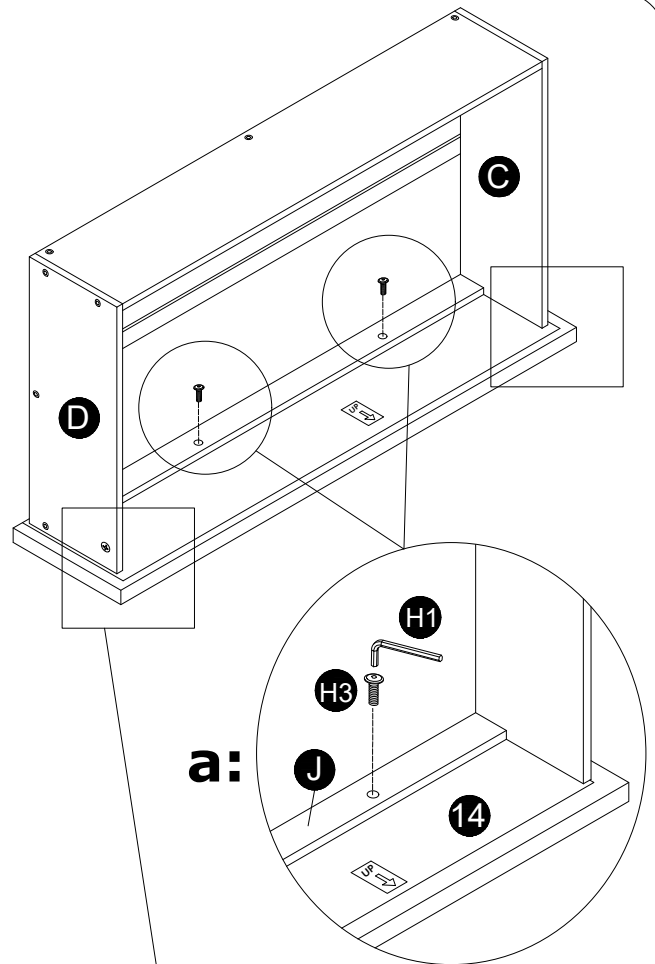
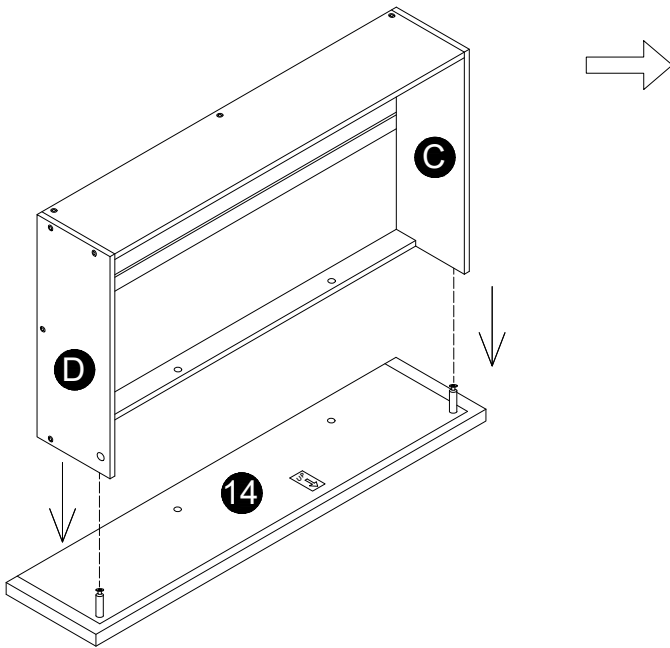
19



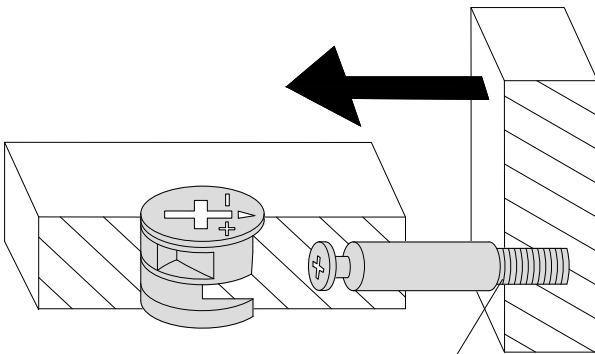
20



21

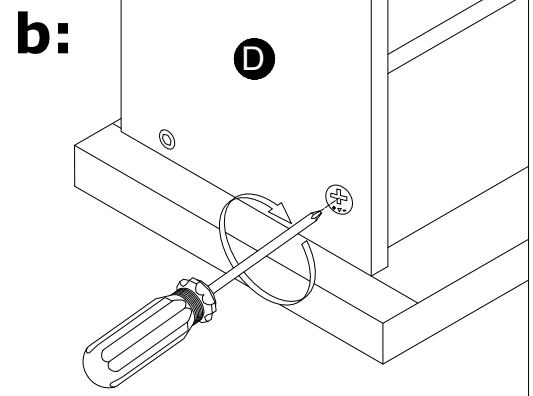
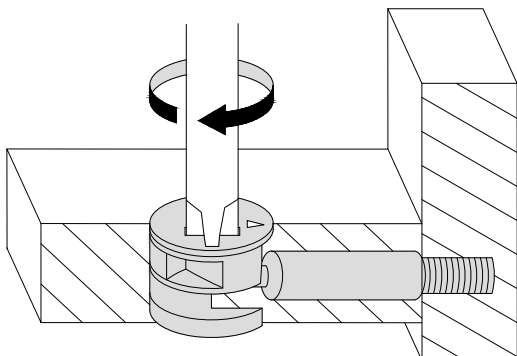


PUSH THE TWO PANELS TOGETHER ALLOWING THE DOWEL TO ALIGN WITH THE HOLE

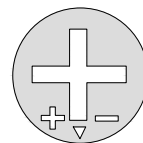


If H12 cannot lock into H13, you can adjust H12 outward by 2mm.

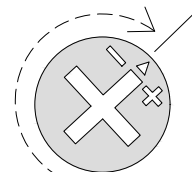
TURN THE CAM IN A CLOCKWISE DIRECTION



DON'T STOP UNTIL THE 2 O'CLOCK LOCK
TURN THE CAM IN A CLOCKWISE DIRECTION UNTIL THE ARROW POINTS IN THE POSITIONS SHOWN IN THE DIAGRAMS BELOW



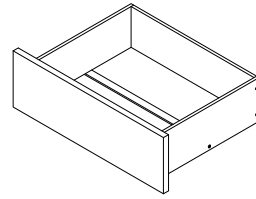
OPEN



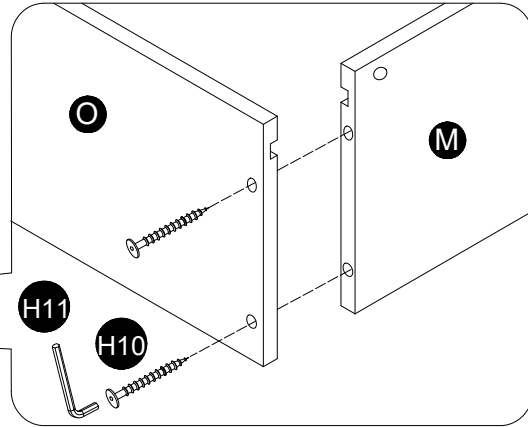
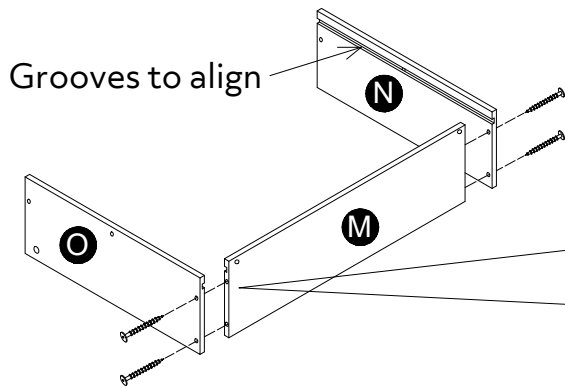
LOCKED

22

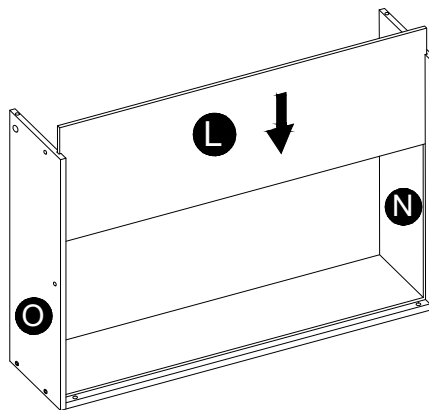
Assemble the footboard drawer



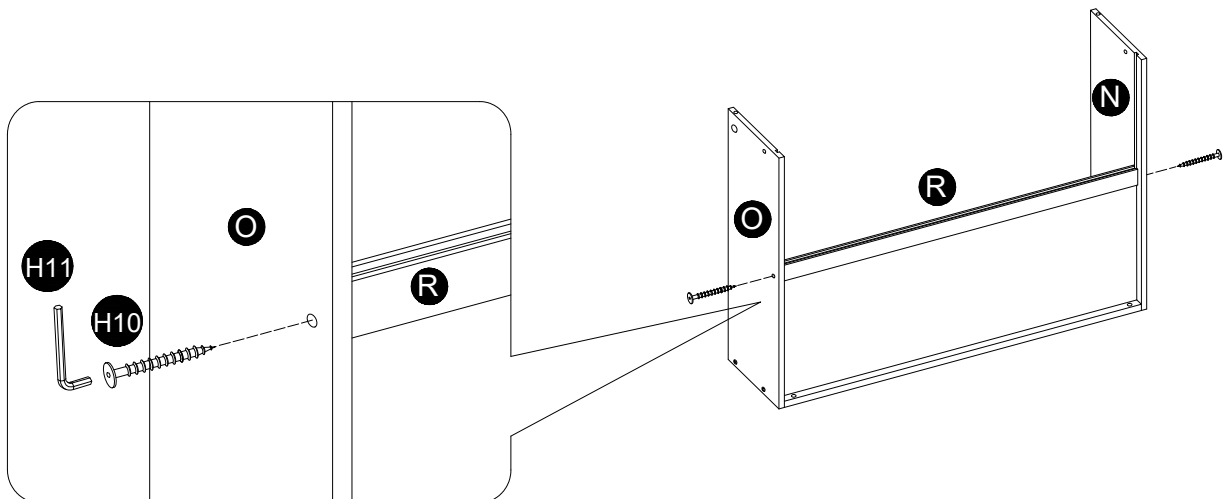
x2



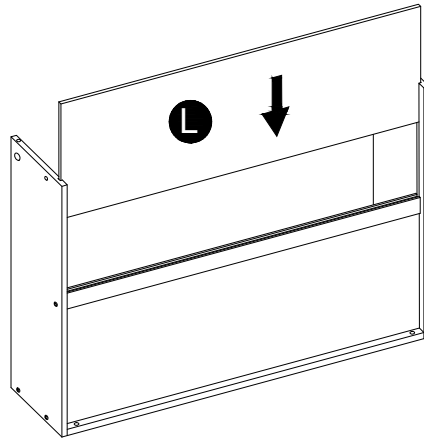
23



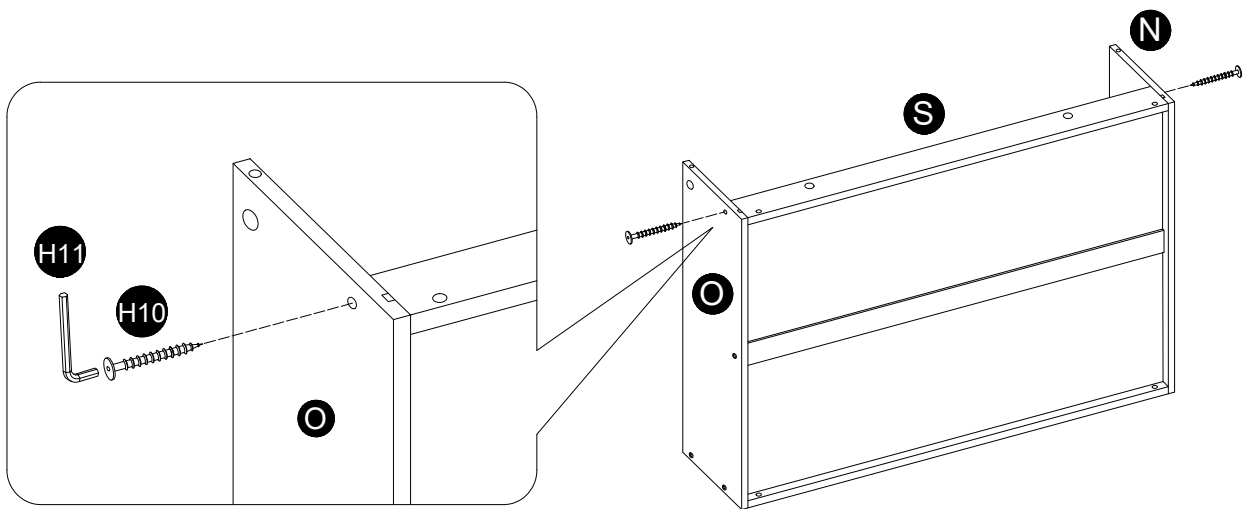
24



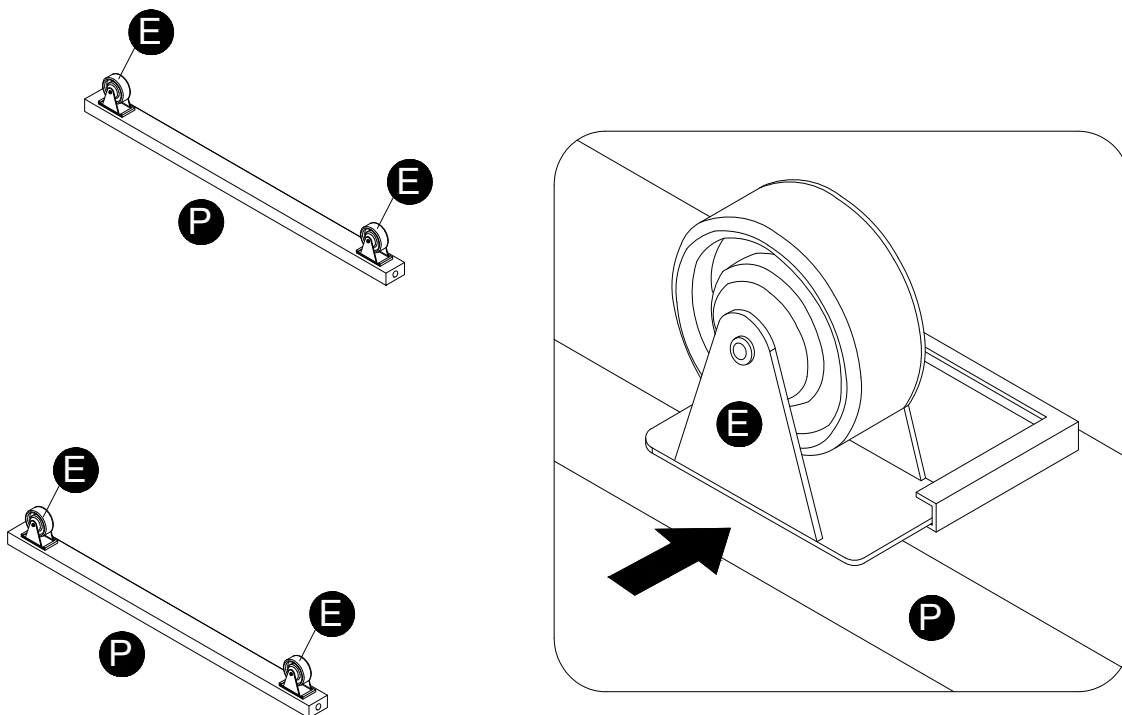
25



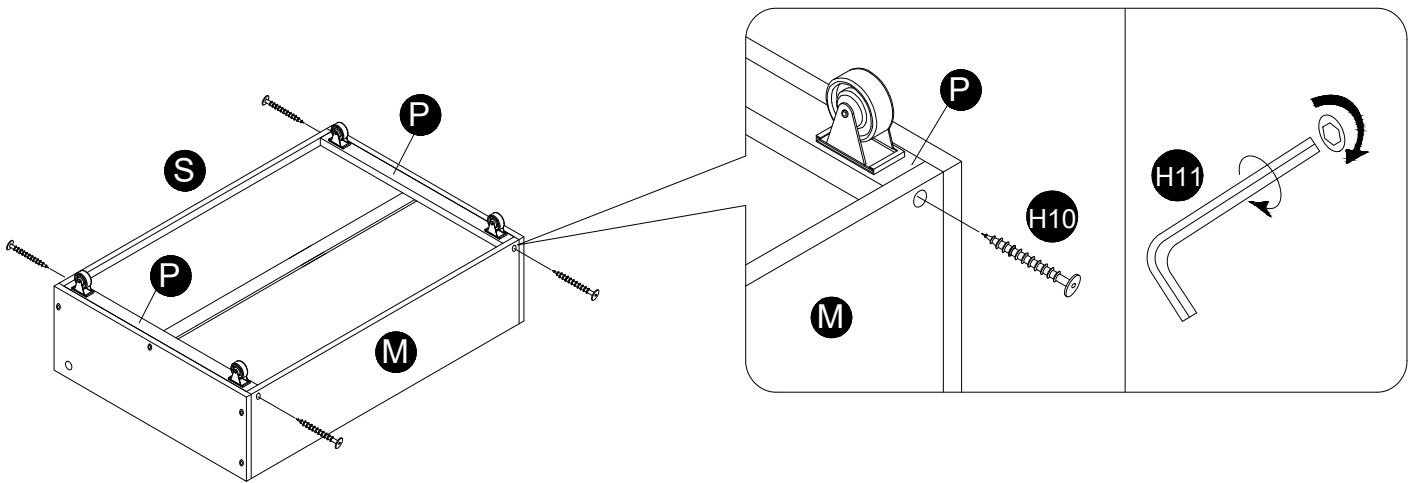
26



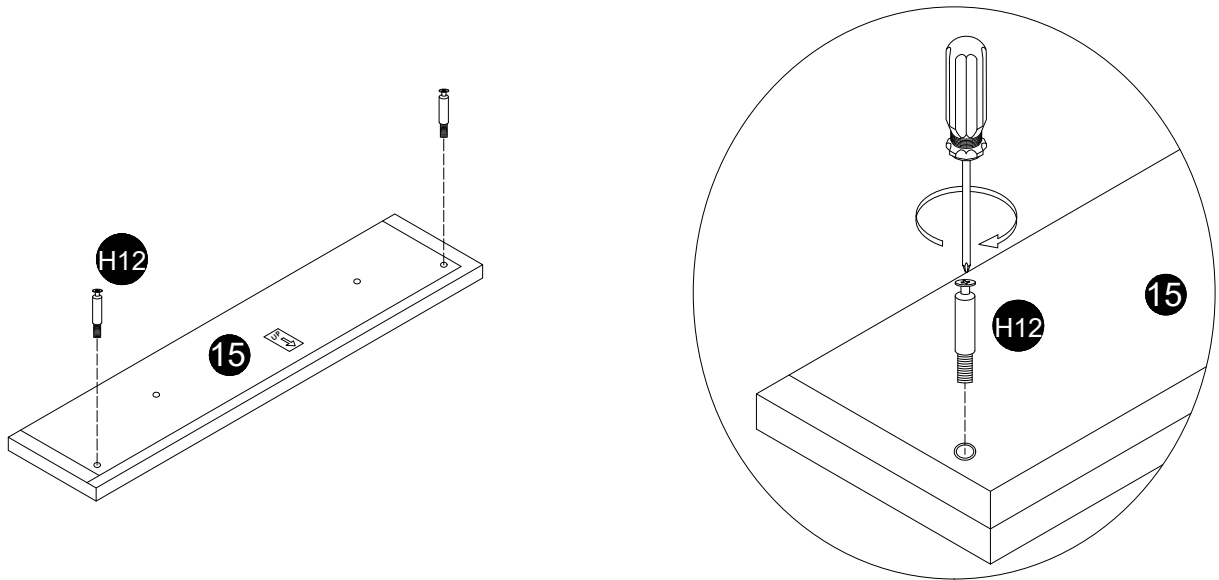
27



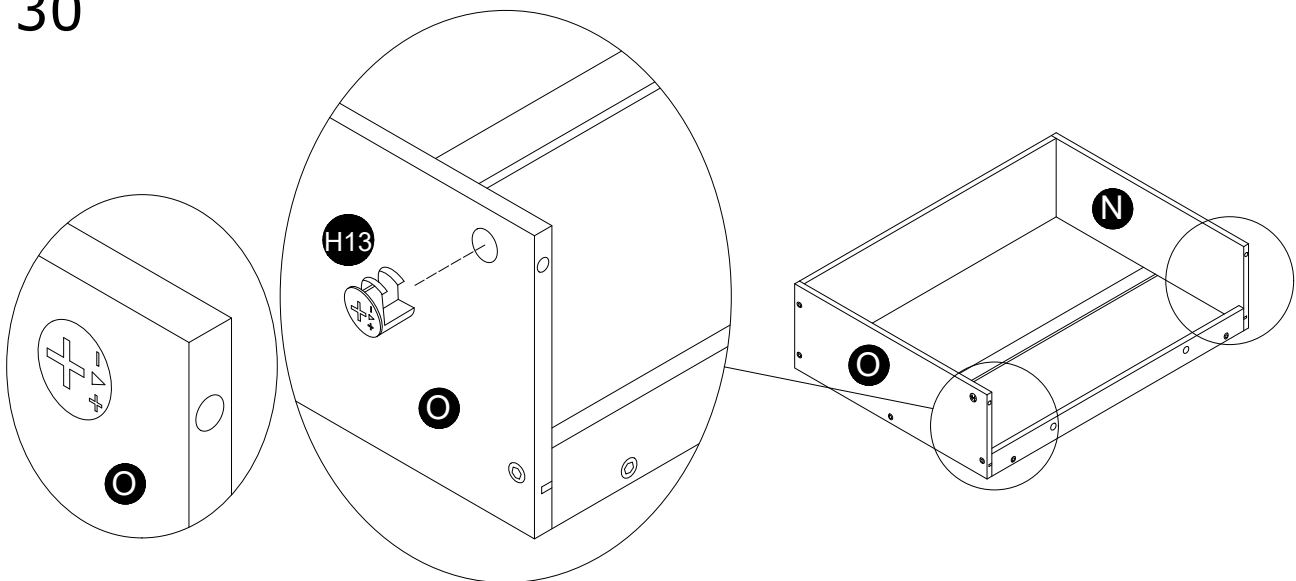
28



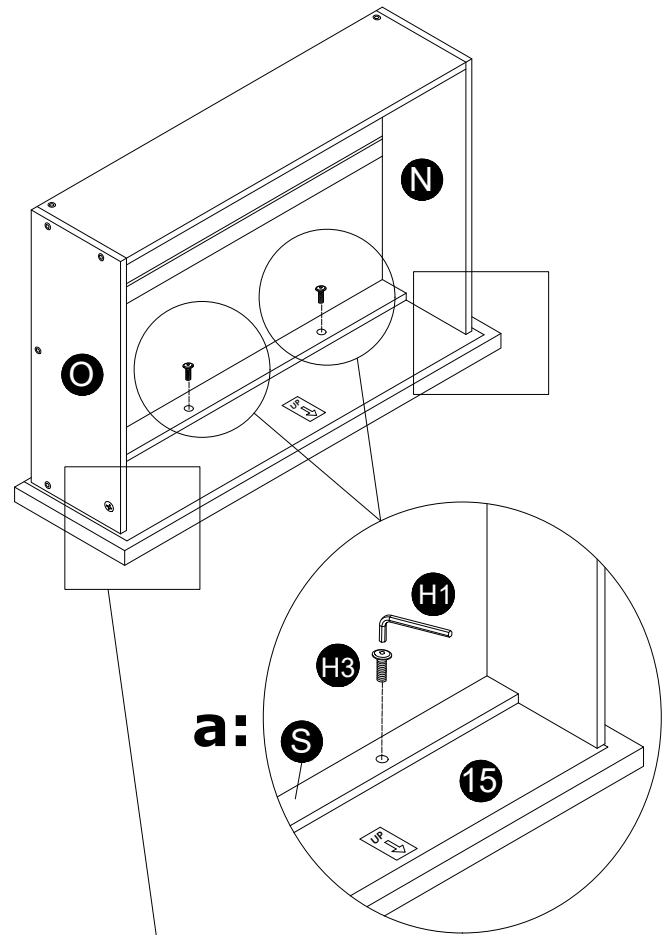
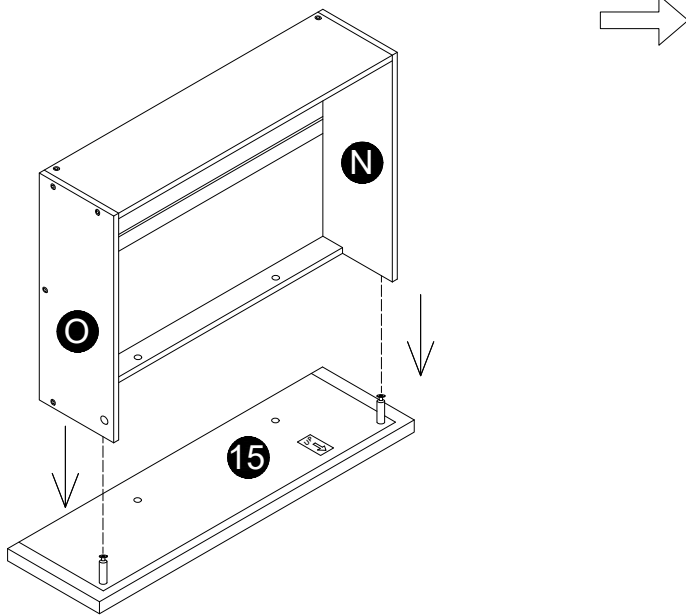
29



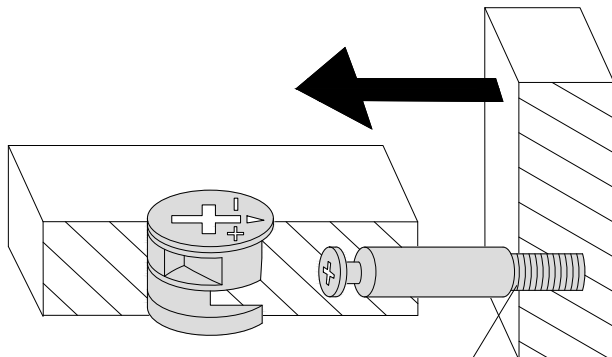
30



31

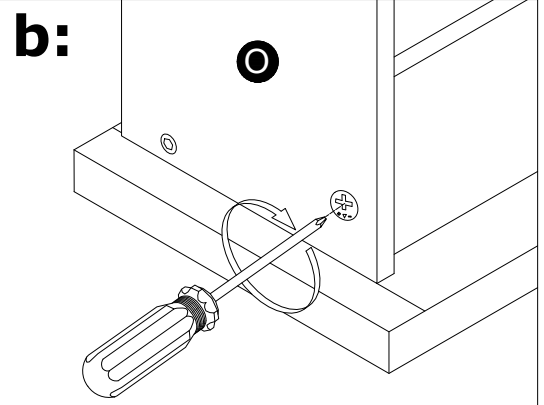
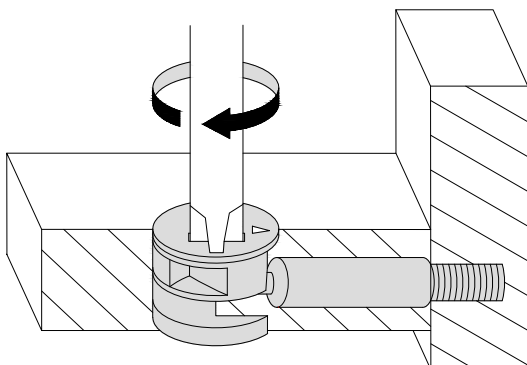


PUSH THE TWO PANELS TOGETHER ALLOWING THE DOWEL TO ALIGN WITH THE HOLE

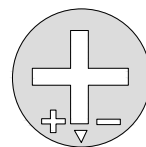


If H12 cannot lock into H13, you can adjust H12 outward by 2mm.

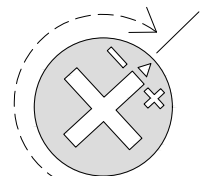
TURN THE CAM IN A CLOCKWISE DIRECTION



DON'T STOP UNTIL THE 2 O'CLOCK LOCK
TURN THE CAM IN A CLOCKWISE DIRECTION UNTIL THE ARROW POINTS IN THE POSITIONS SHOWN IN THE DIAGRAMS BELOW



OPEN



LOCKED