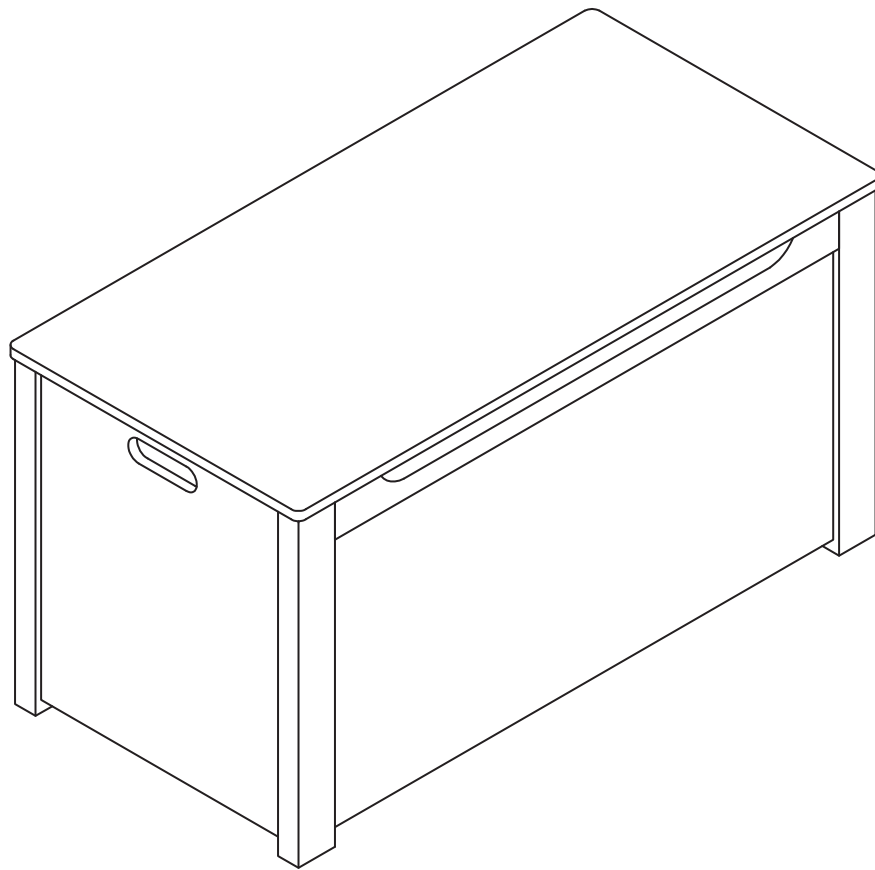
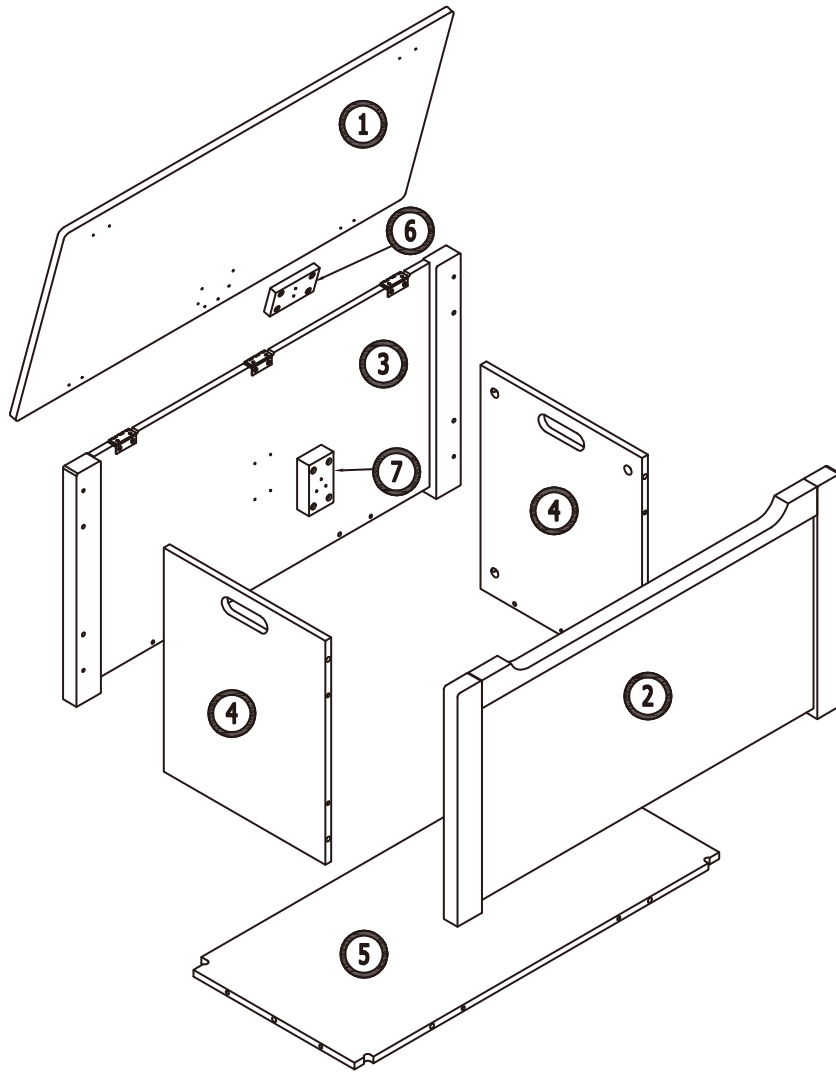
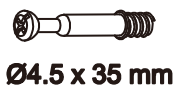


# Toy Storage Chest





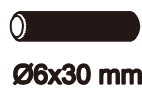
Ax14(2)\*



Bx14(2)\*



Cx16(2)\*



Dx4(1)\*



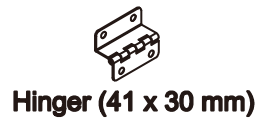
Ex4(1)\*



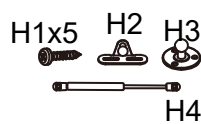
Fx16(2)\*



Gx3(1)\*



Hx8(1)\*



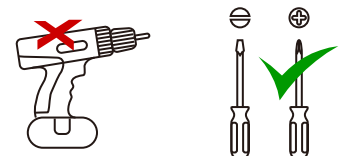
Ix4(1)\*



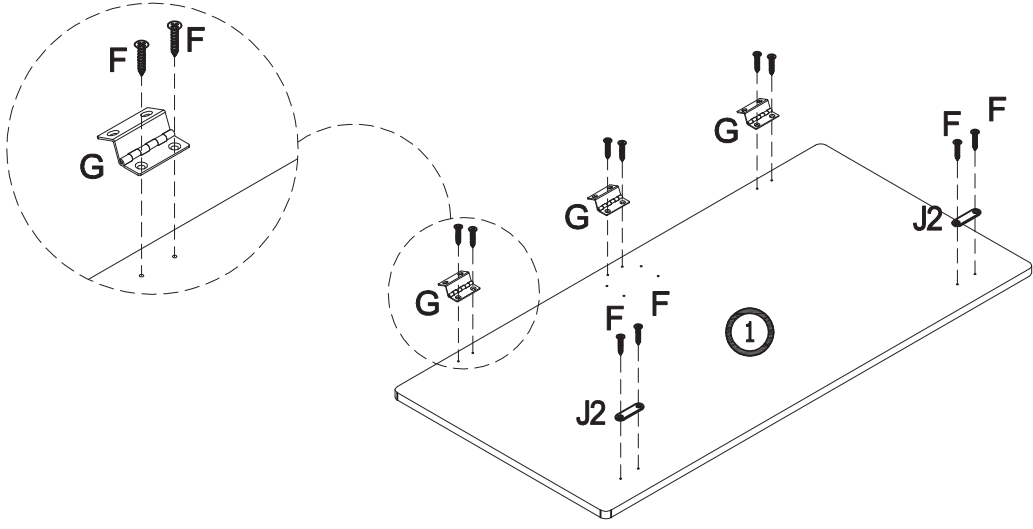
Jx4(2)\*




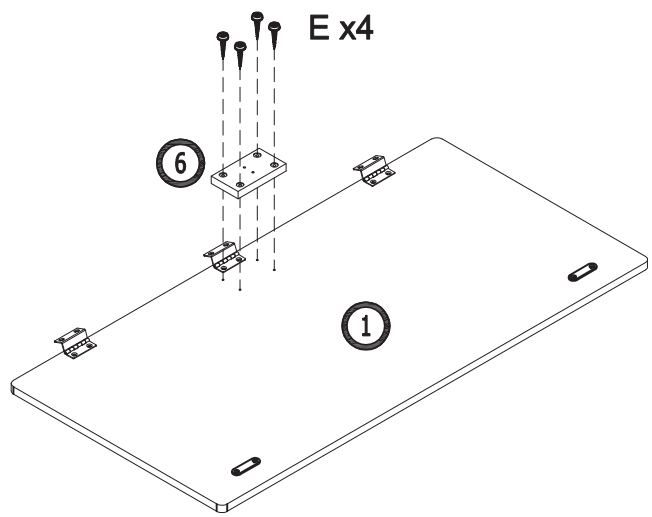
\* SPARE PARTS





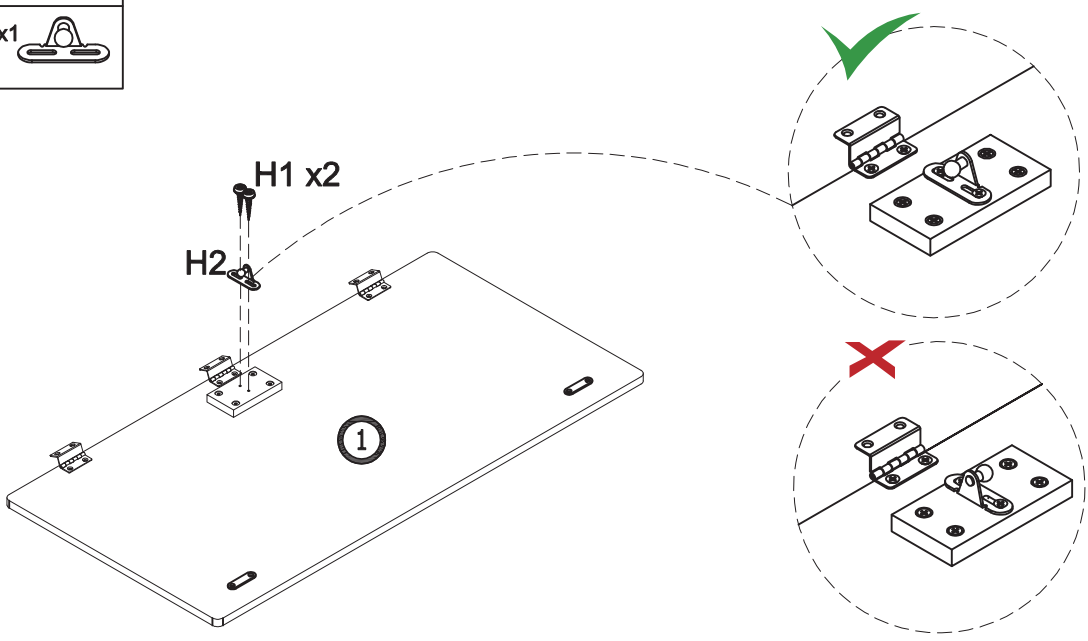
1	F	x 10	G	x 3	J	x 2
						
	Ø3 x 10 mm		Hinger (41 x 30mm)		J2x2	



2	E	x 4
		
	TF Ø4 x 20mm	

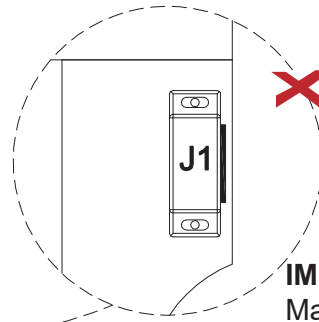
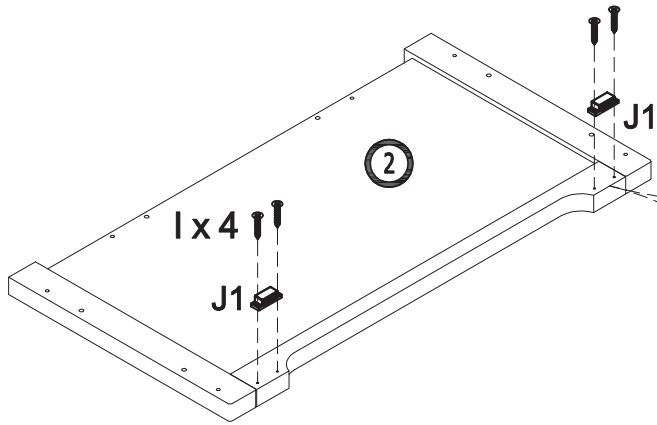


3	H	x 3
		
	H1 x2	H2 x1

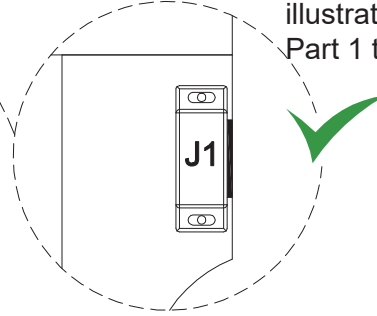


4


I	x4	J	x2
			
Ø3.5 x 15mm		J1x2	

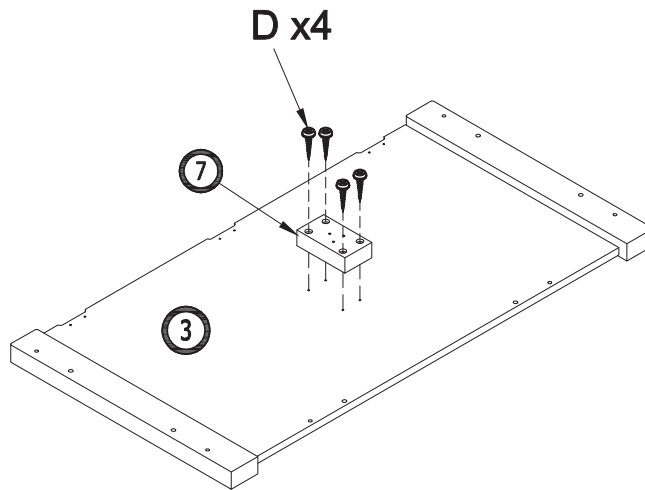


**IMPORTANT:**  
Magnet J1 must be level with the top of Part 2, as illustrated below, to enable Part 1 to close effectively.





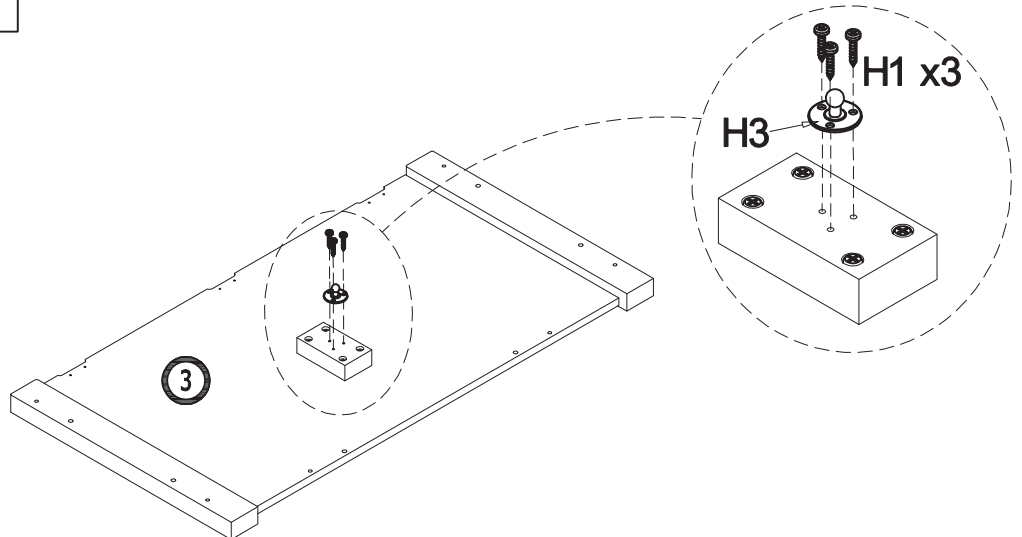
5

D	x4
	
Ø4 X 30mm	

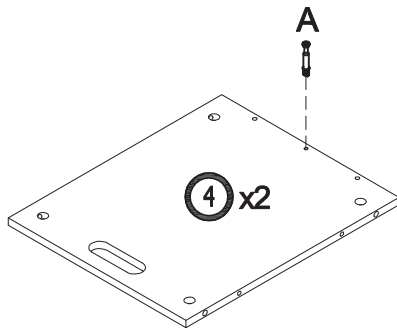
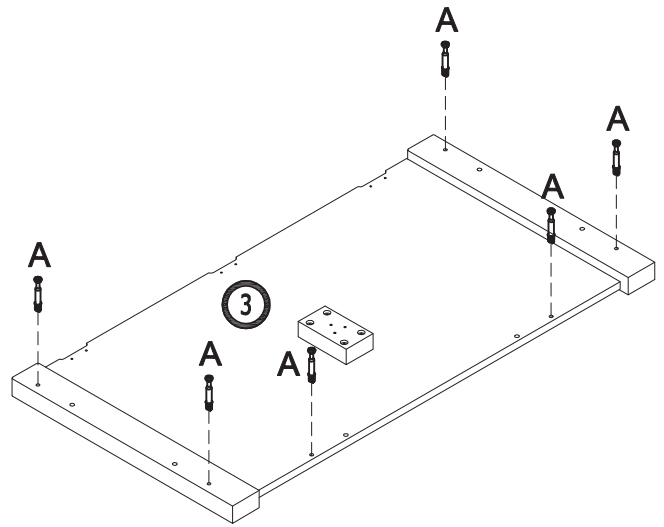
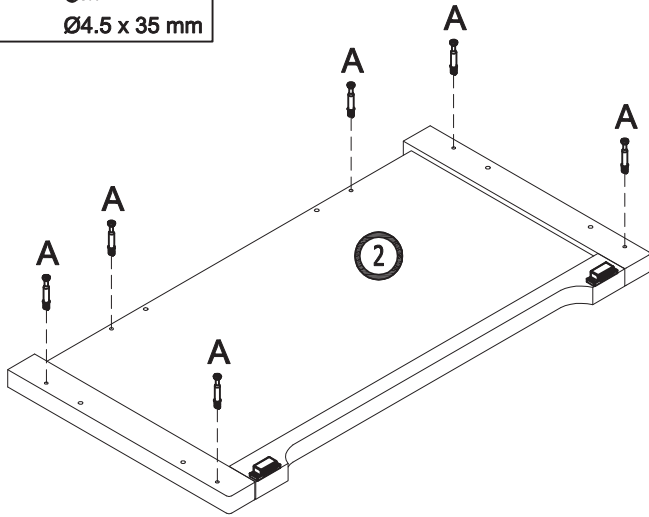
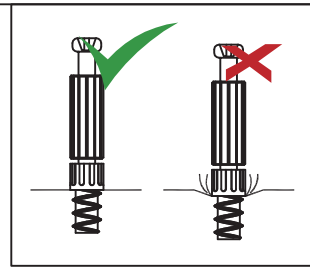
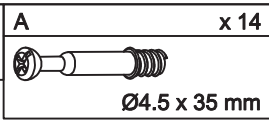


6

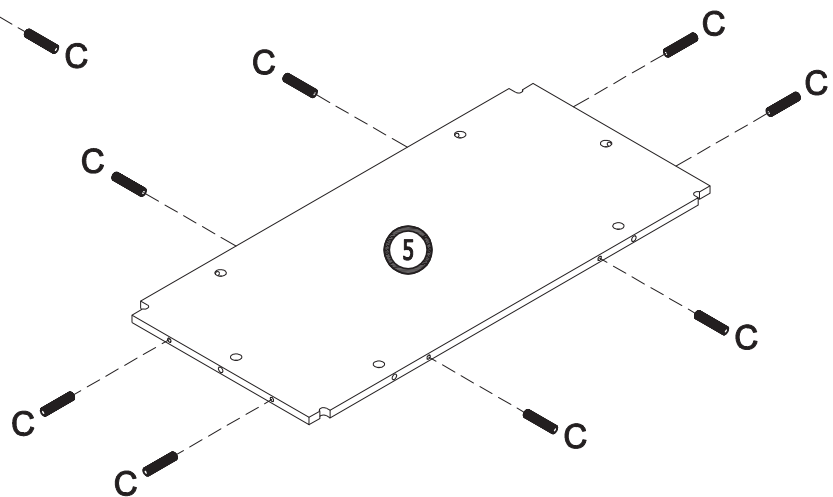
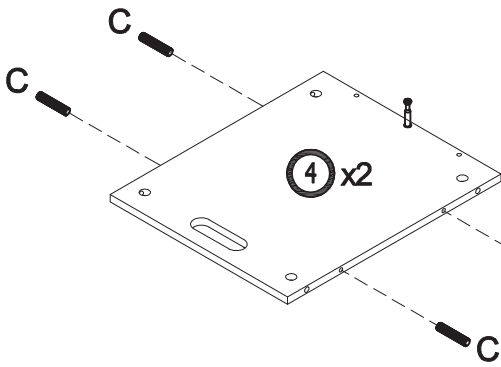
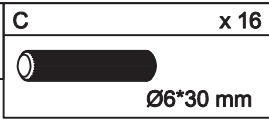
H	x4
	
H1 x3	H3 x1 



7

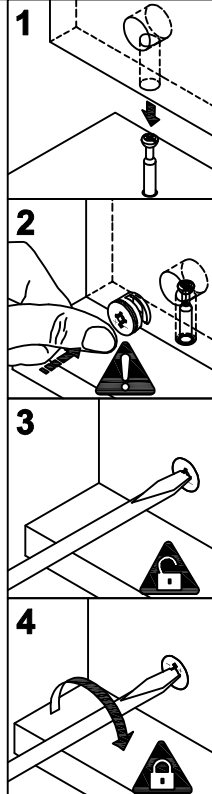
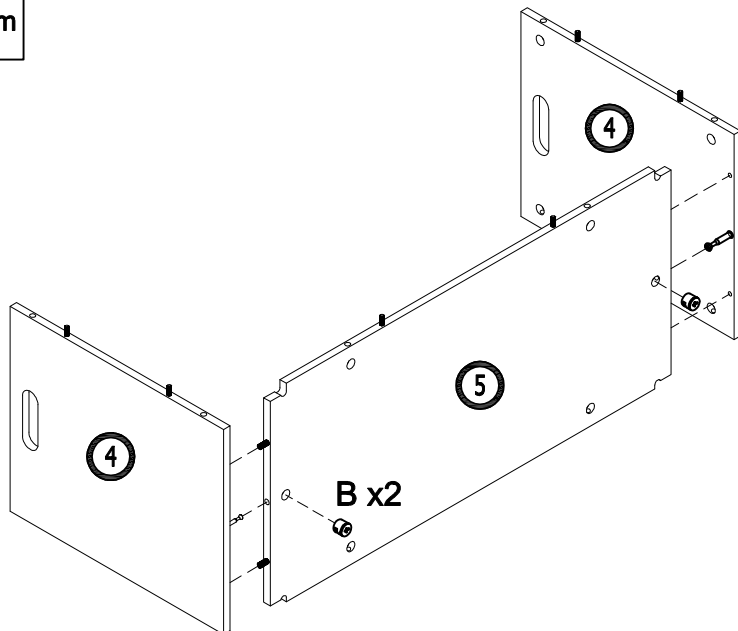


8



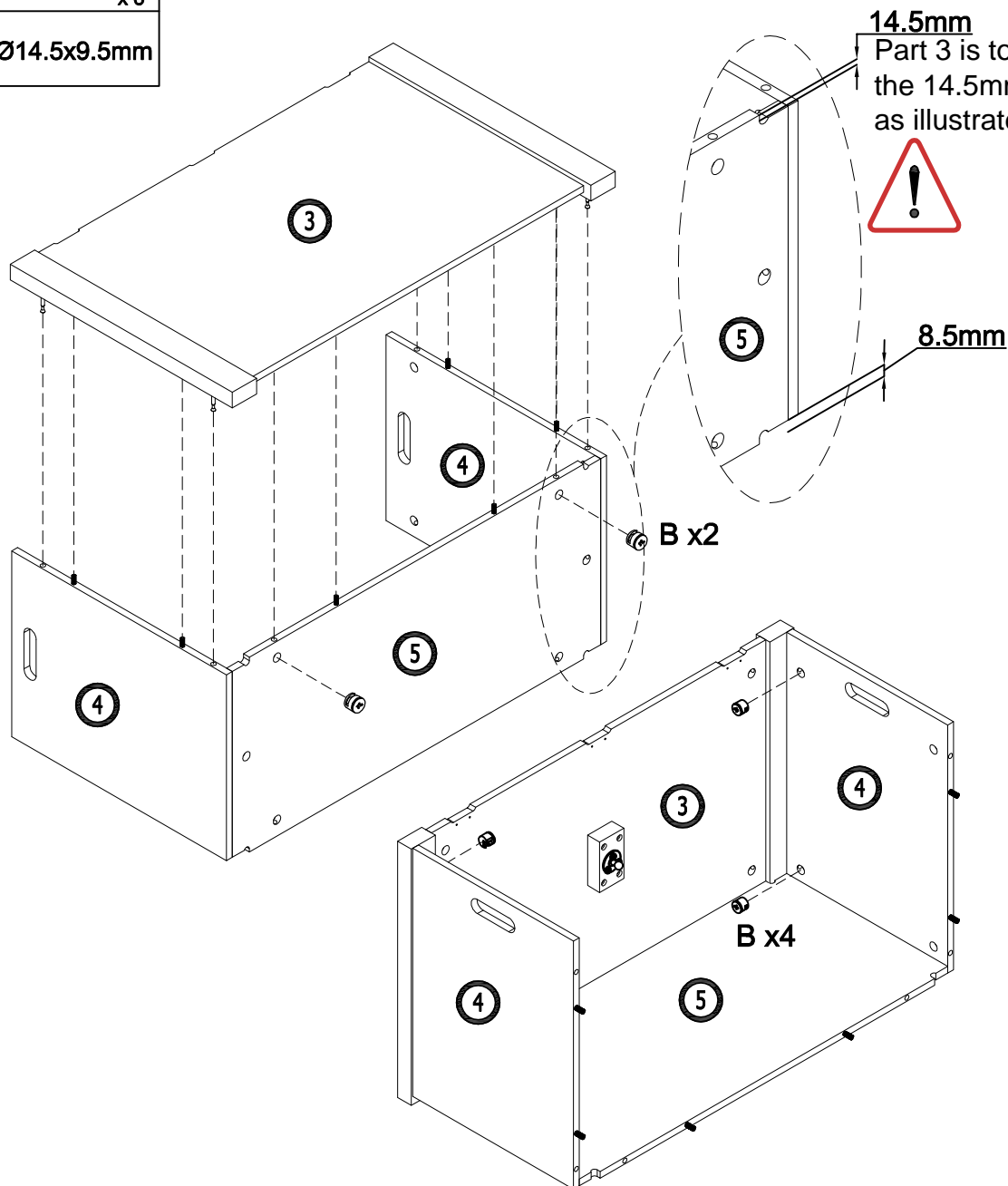
9

B x2  
Ø14.5x9.5mm

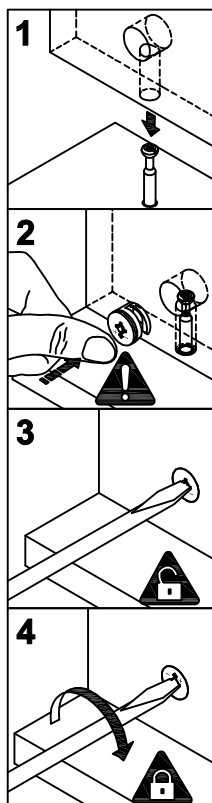


10

B x6  
Ø14.5x9.5mm

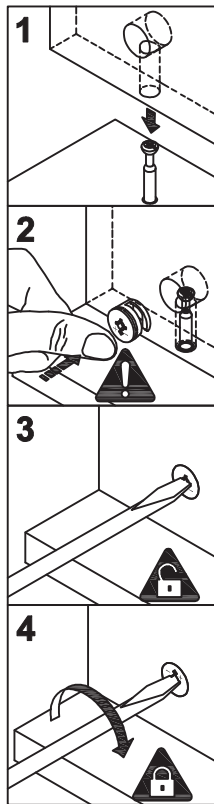
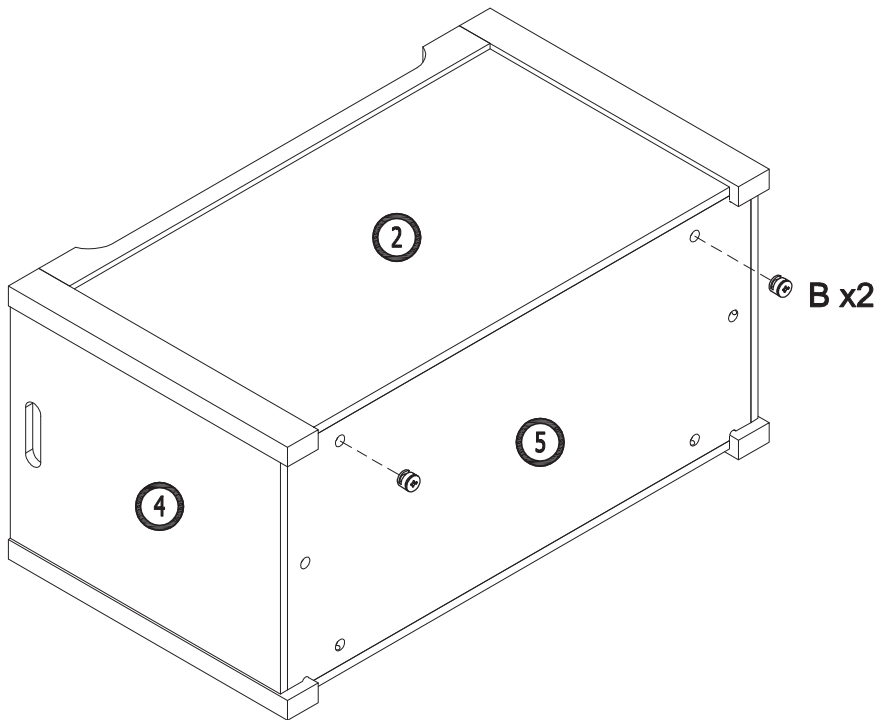
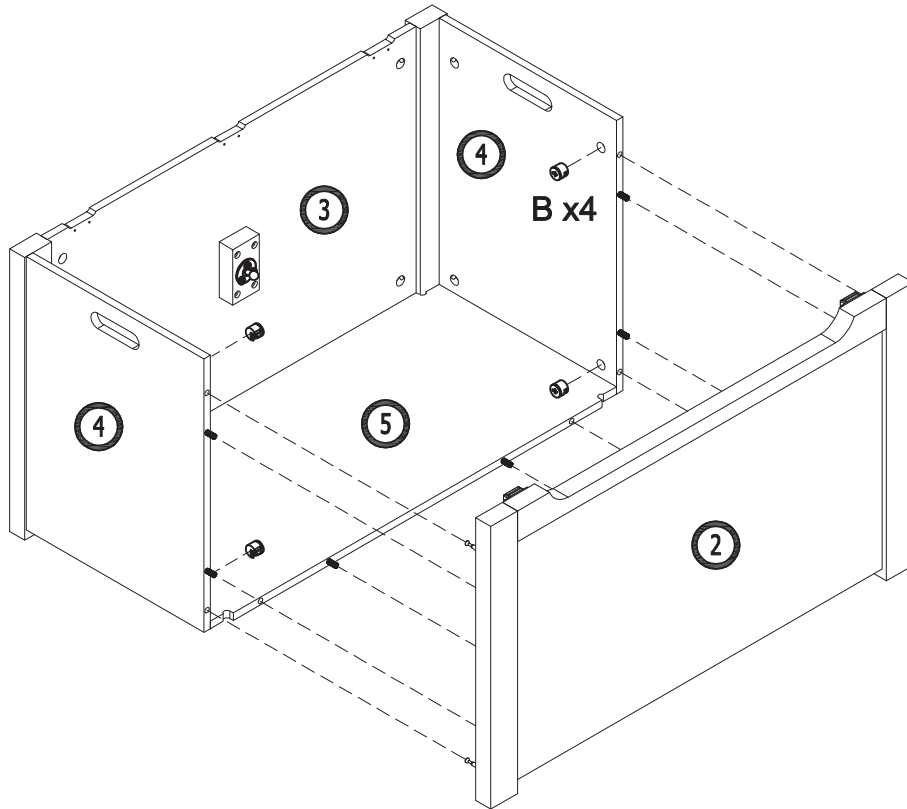


14.5mm  
Part 3 is to be inserted into the 14.5mm gap on Part 5 as illustrated



11

B x6  
Ø14.5x9.5mm

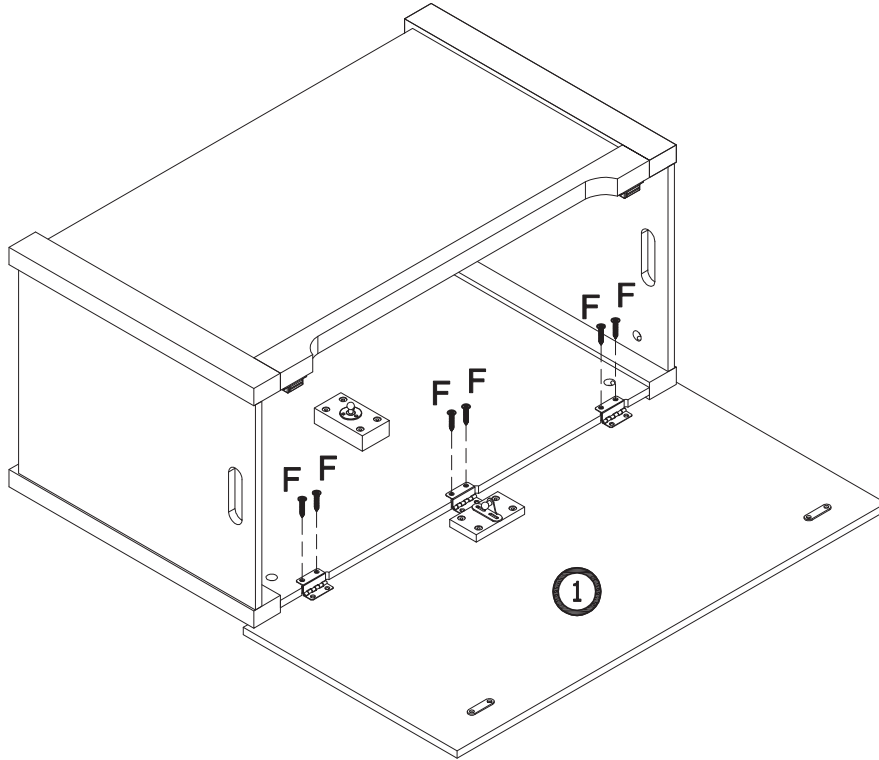


12

F x 6

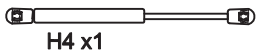


TF Ø3 x 10 mm



13

H x 1



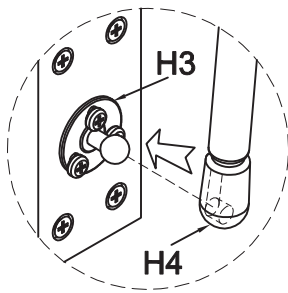
H4 x 1

**Safety feature!**

-The lid supports MUST be attached as shown. Failure to properly install lid supports may lead to injure, such as crushing fingers or hands. Suddenly lid closing can lead to possible entrapment and/or strangulation.

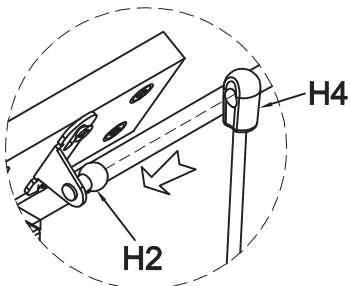
-Do not use this product unless the lid support is installed correctly.

1



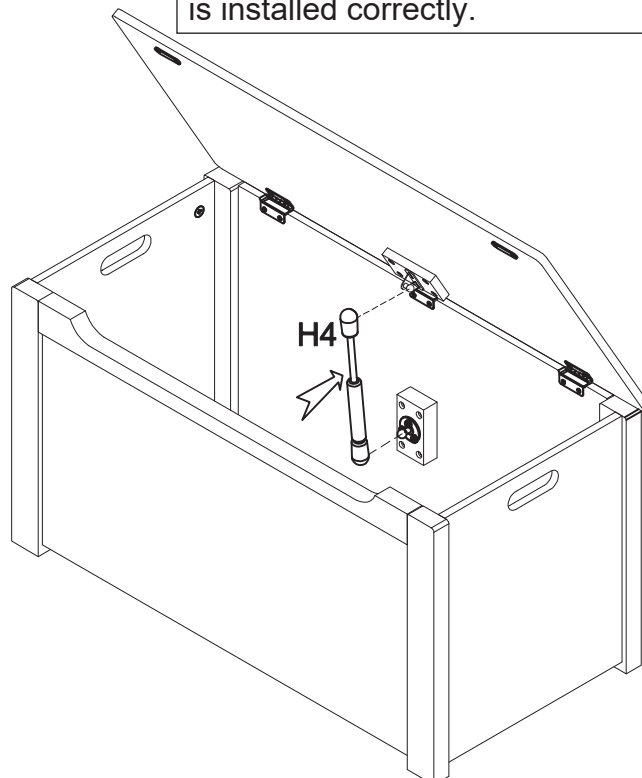
H4

2



H4

H2

**IMPORTANT!**

Lock H4 into H2 and H3 firmly.

