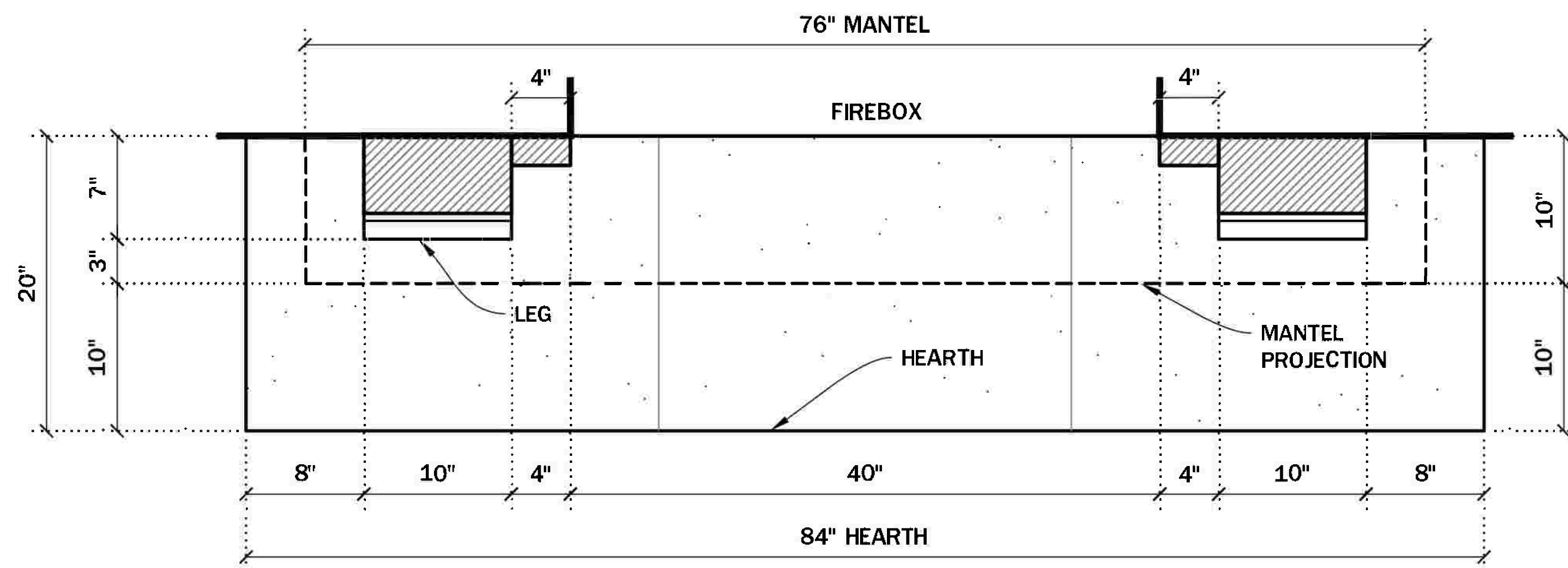
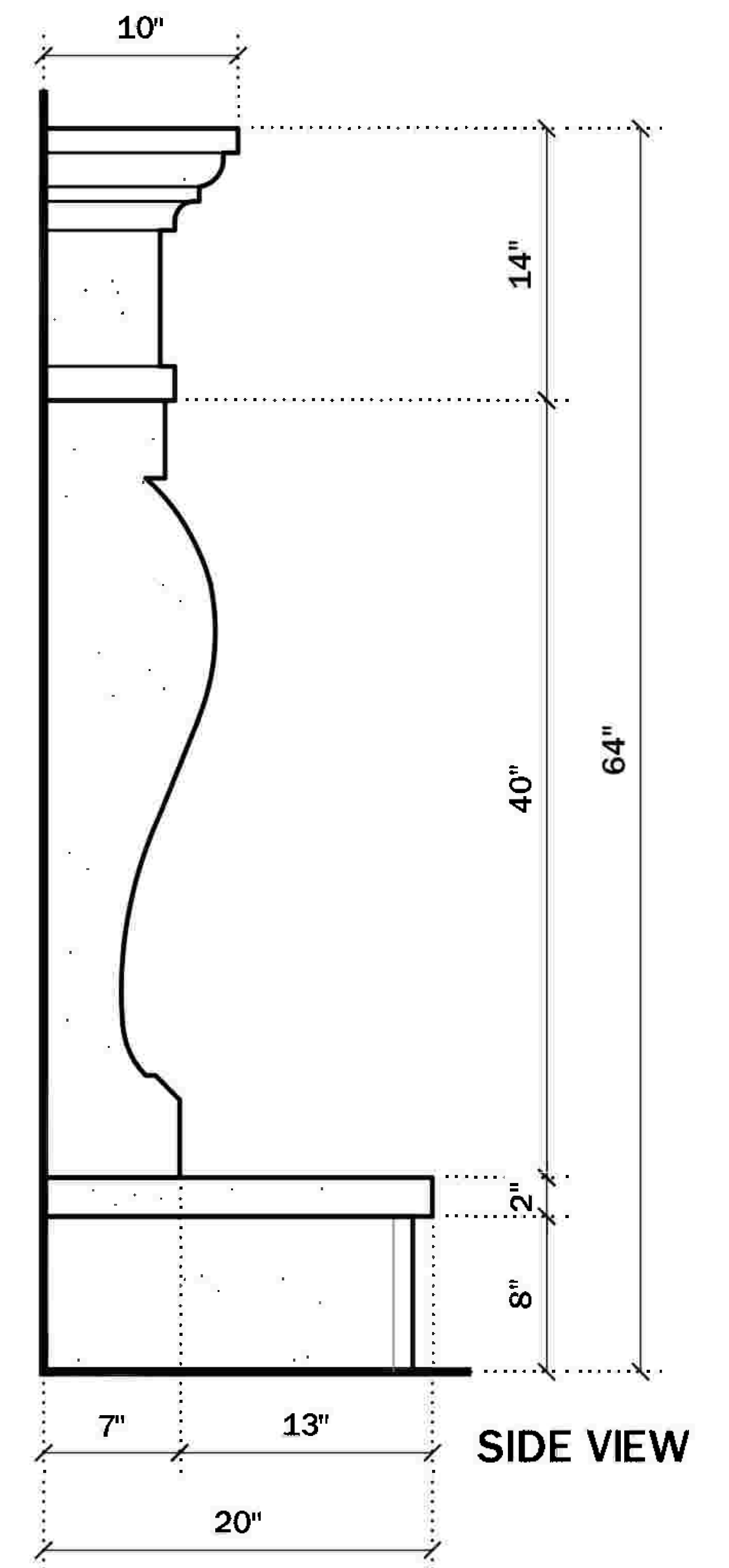
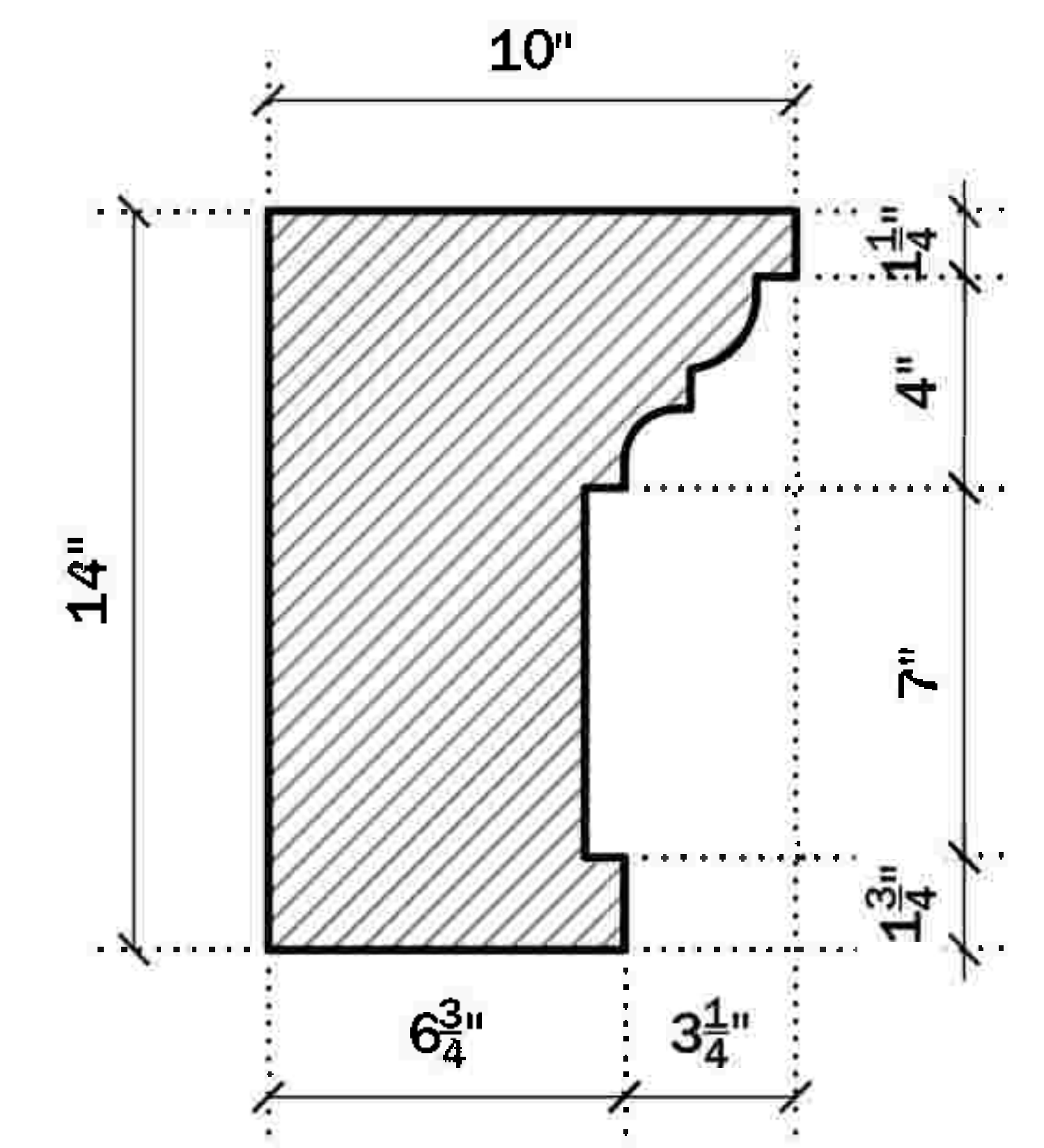


FRONT ELEVATION



PLAN VIEW



MANTEL PROFILE

Scale: 3/4" = 1'-0"