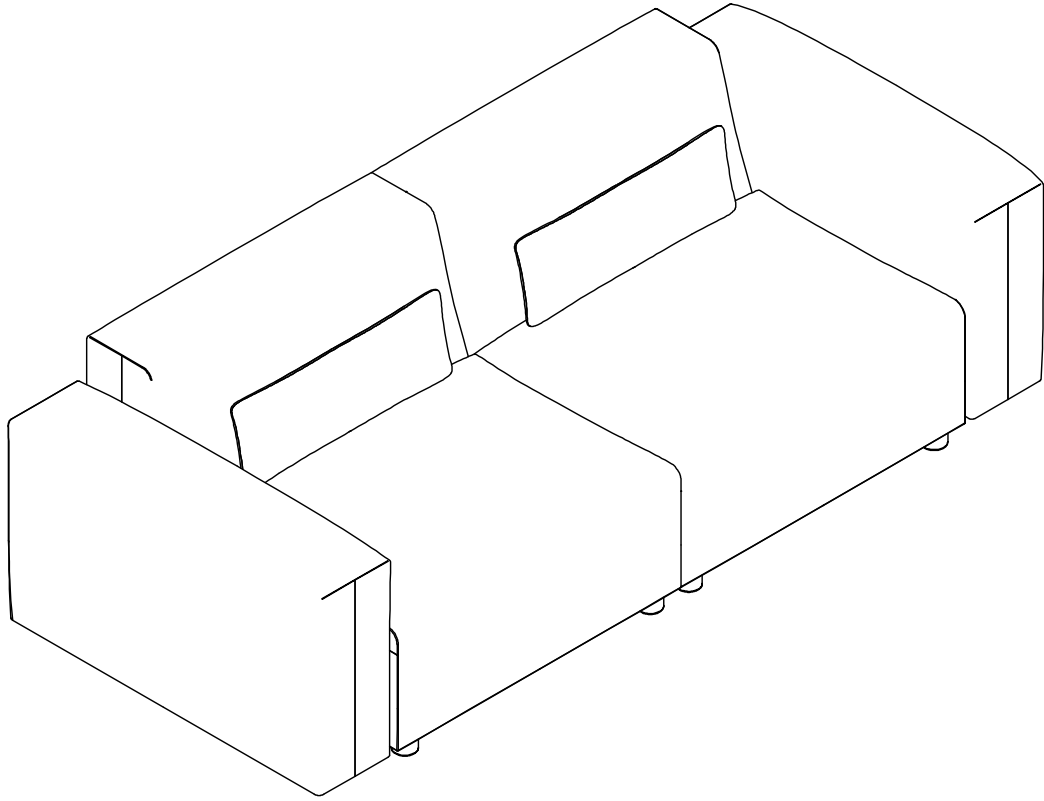
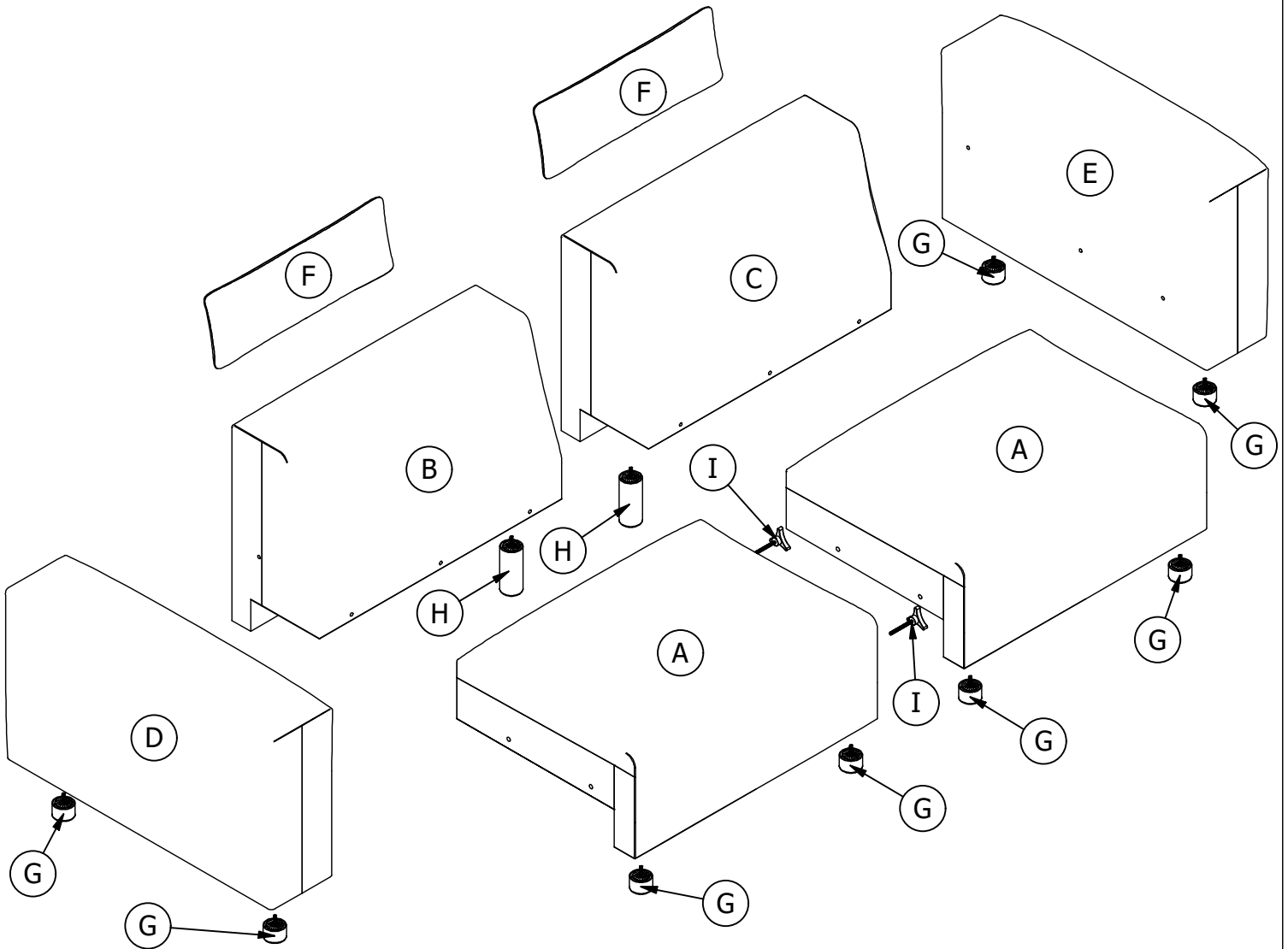


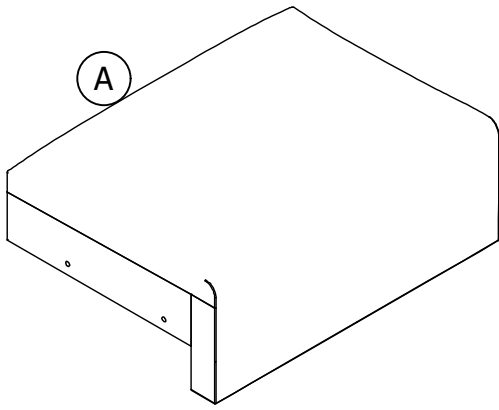
Assembly Instruction



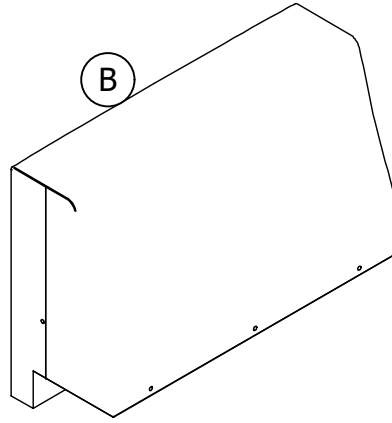
PARTS



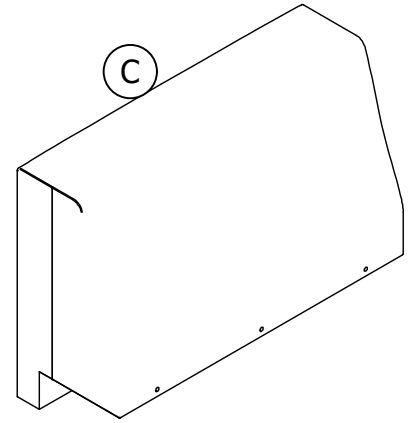
PARTS LIST - CARTON A



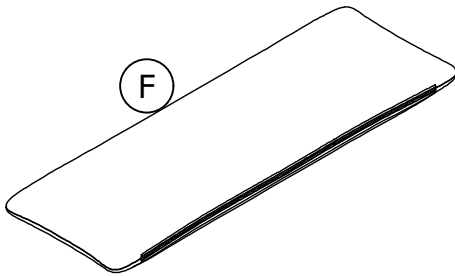
Seat Frame X 2 PCS



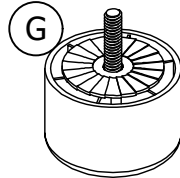
Left Back Frame X 1 PC



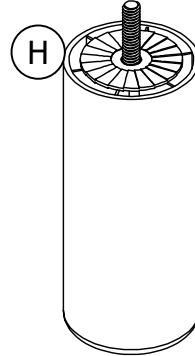
Right Back Frame X 1 PC



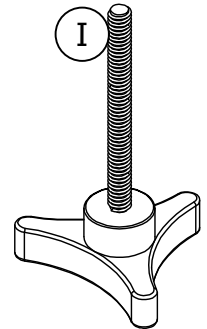
Pillow X 2 PCS



Legs X 8 PCS

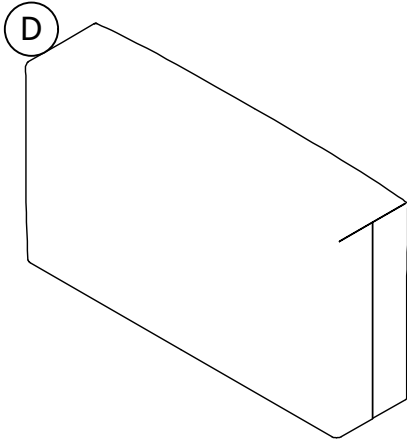


Middle Legs X 2 PCS

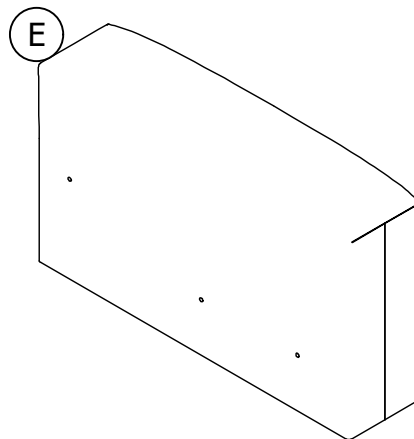


Bolts X 2 PCS

PARTS LIST - CARTON B

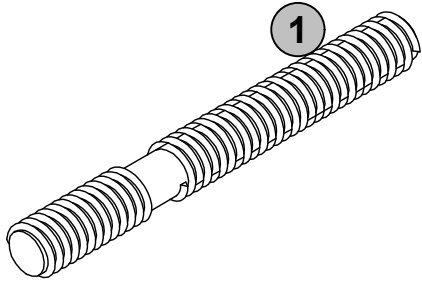


Left Armrest X 1 PC

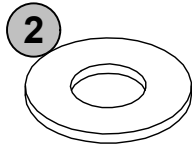


Right Armrest X 1 PC

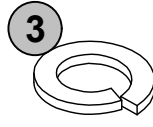
HARDWARE (in CARTON A)



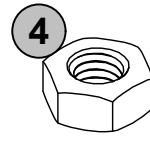
Stud 5/16" X 70mm
X 12



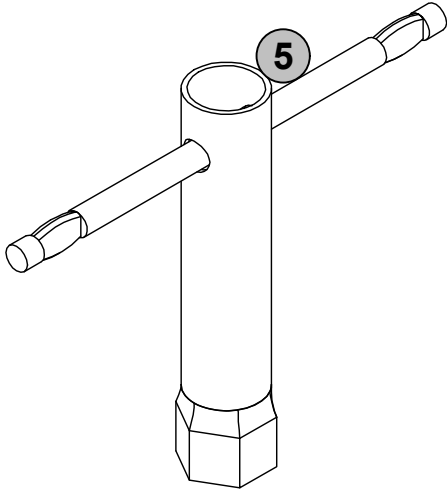
Washer
X 14



Spring Washer
X 14



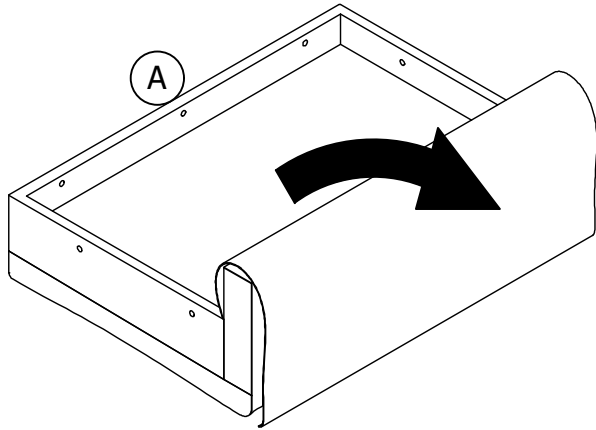
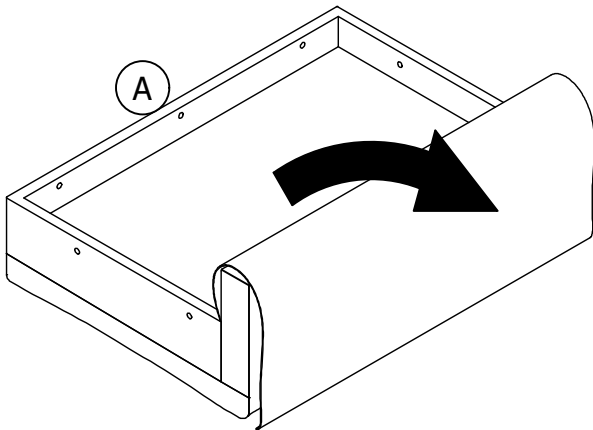
Nut X 14



Wrench
X 1

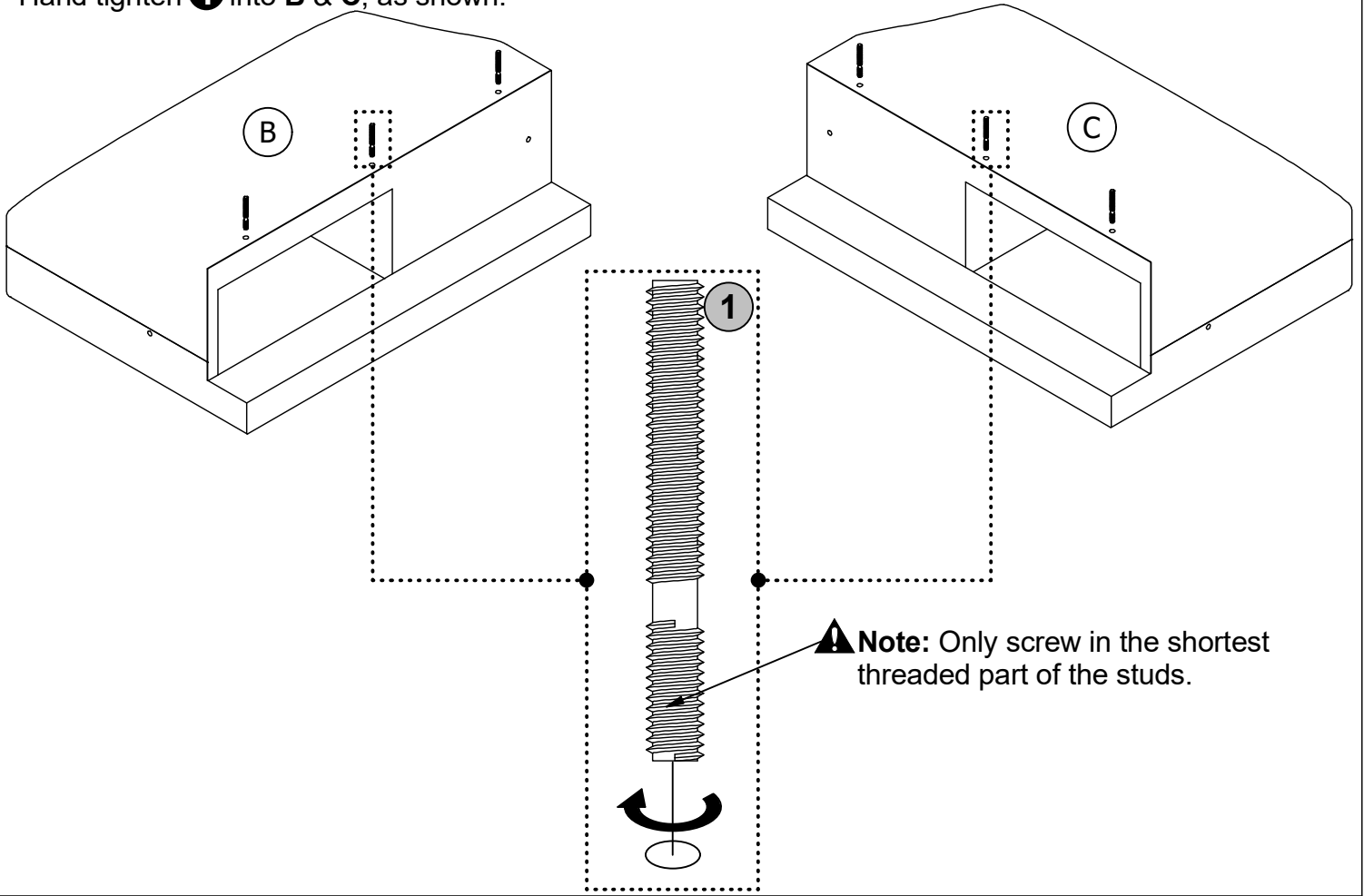
STEP 1:

Something will be found in the compartment under the seat, as shown.



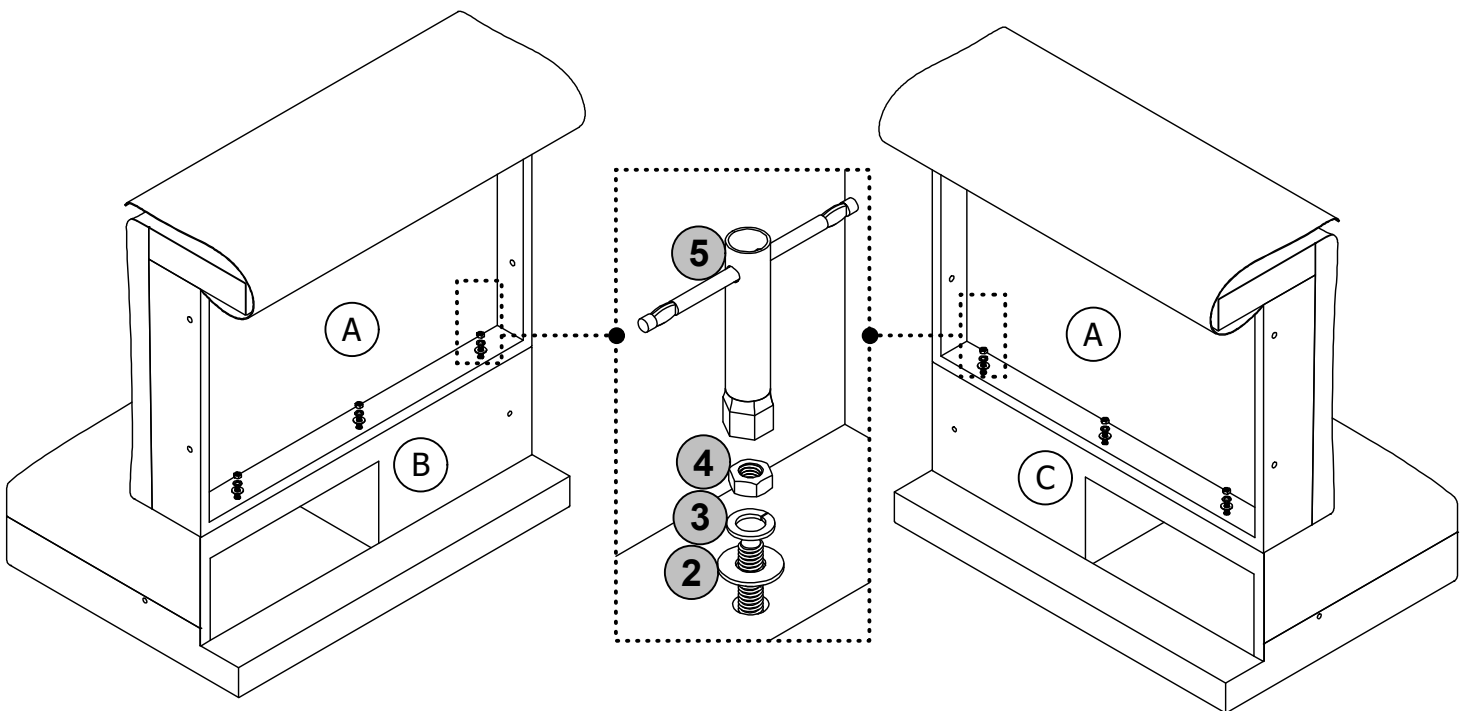
STEP 2:

Hand tighten **1** into **B** & **C**, as shown.



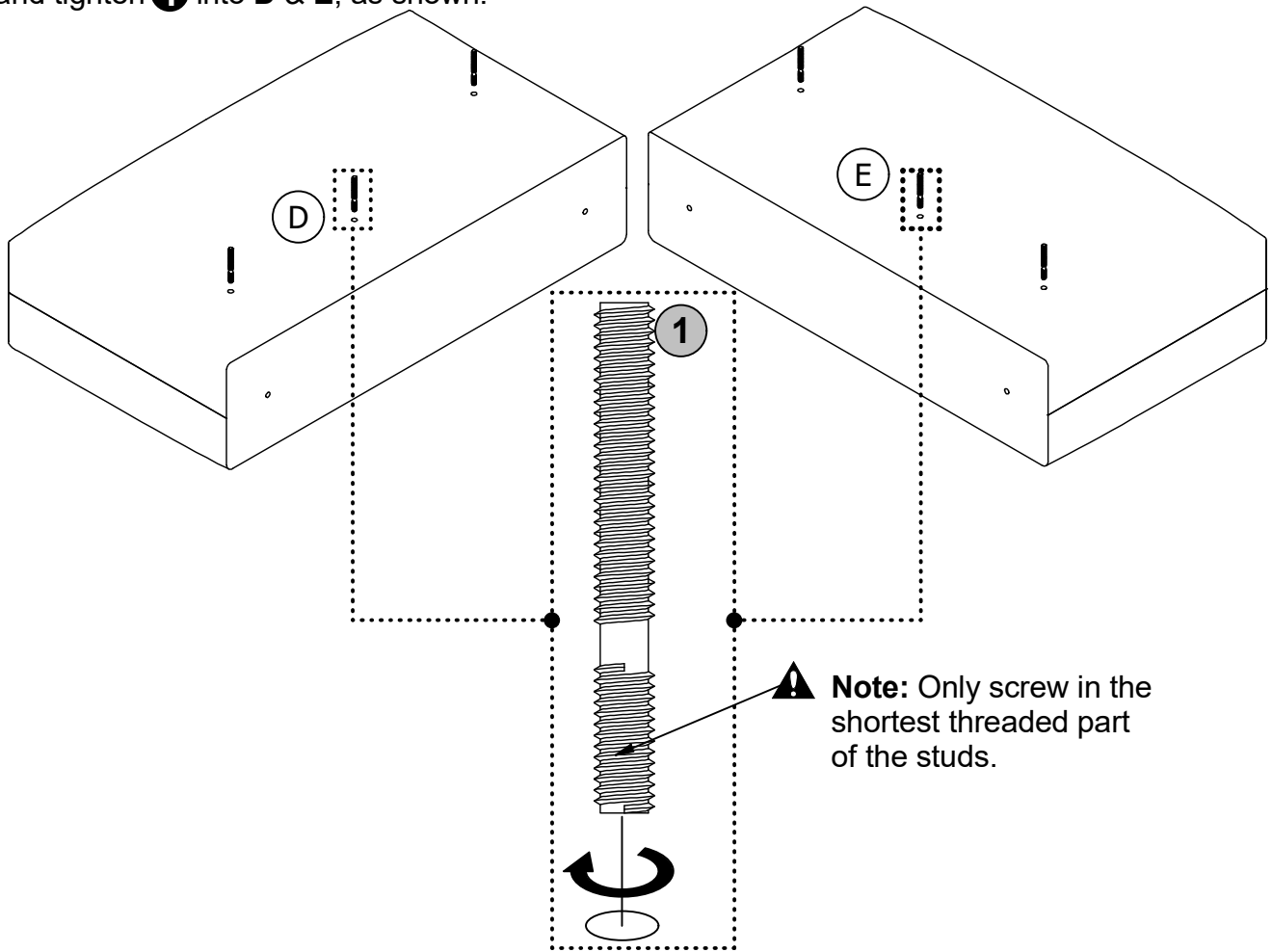
STEP 3:

Attach **A** x 2 to **B** & **C** with **2**, **3**, **4**, as shown.



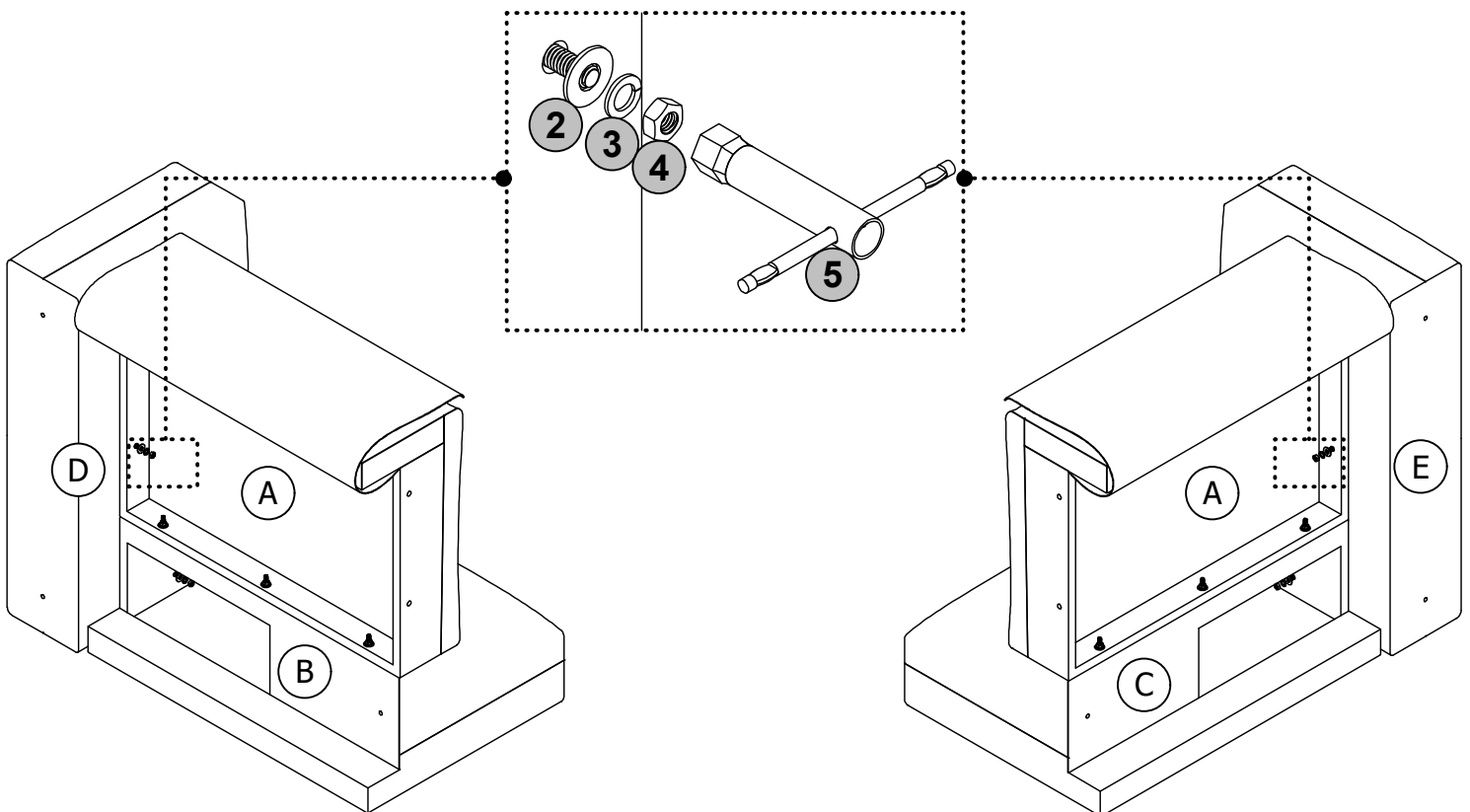
STEP 4:

Hand tighten **1** into **D** & **E**, as shown.



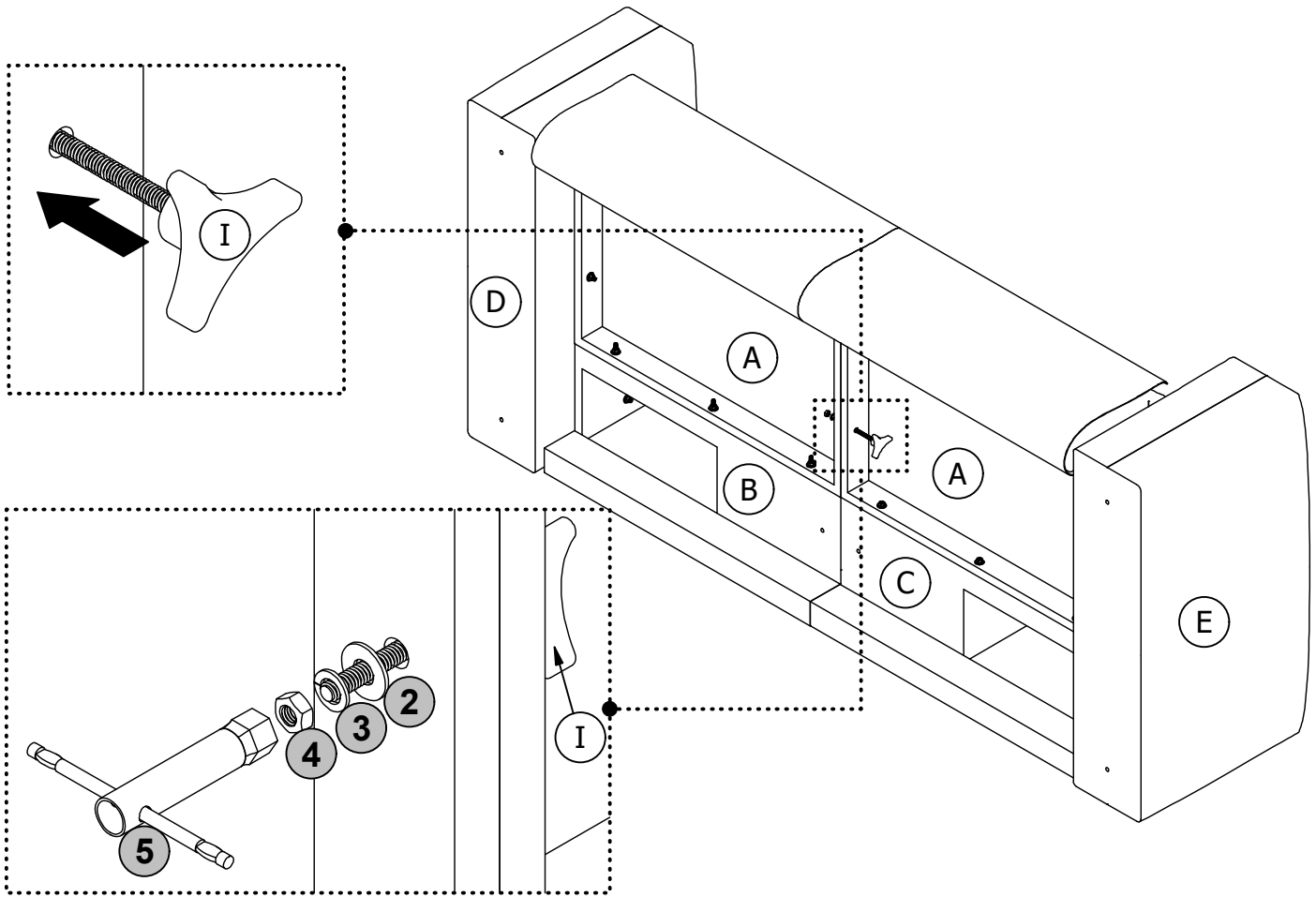
STEP 5:

Attach **D** & **E** x 2 to **A** x 2, **B** & **C** with **2**, **3**, **4**, as shown.



STEP 6:

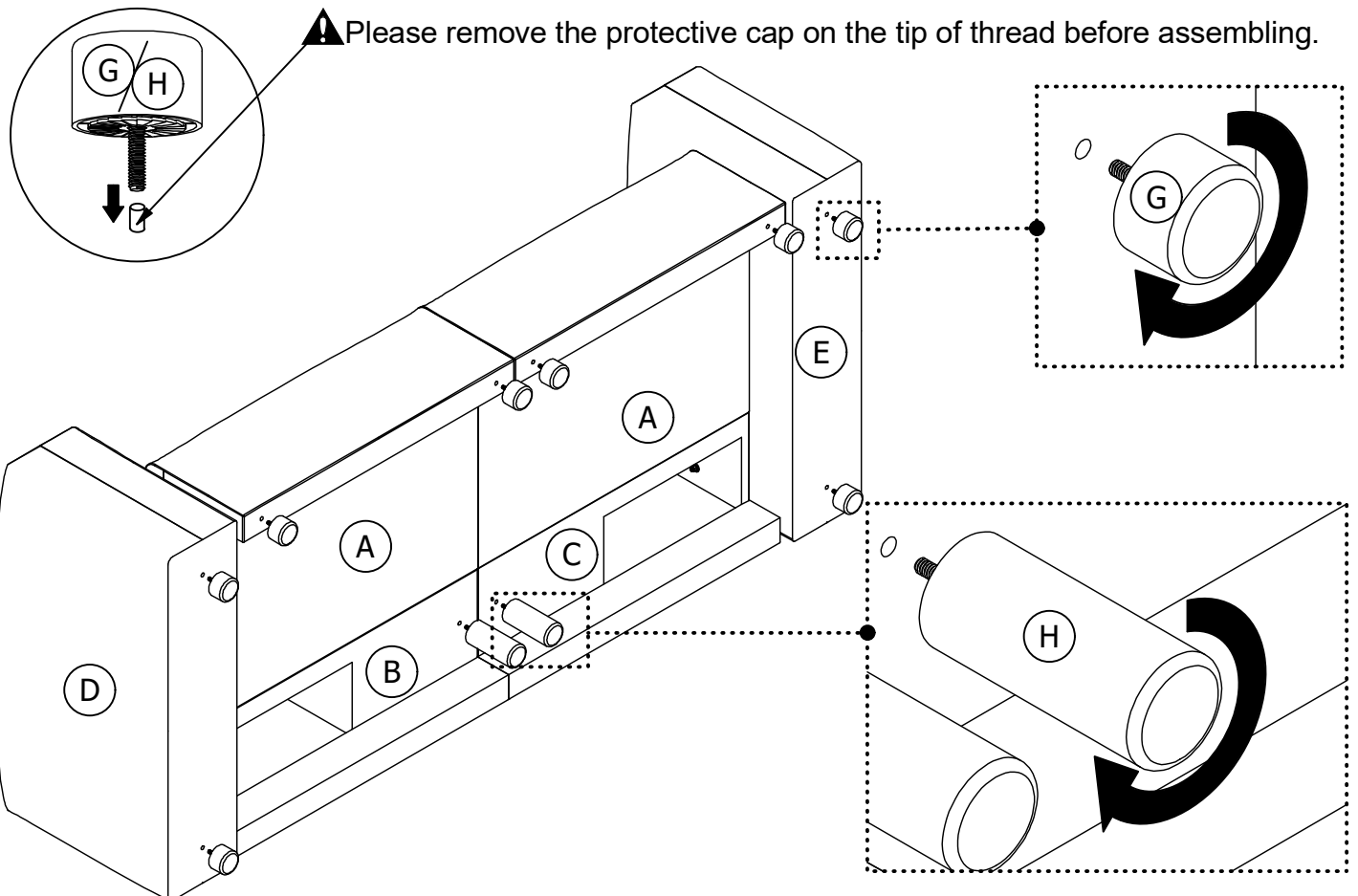
Attach **A** x 2 together using **I** x 2 with **2**, **3**, **4**, as shown.



STEP 7:

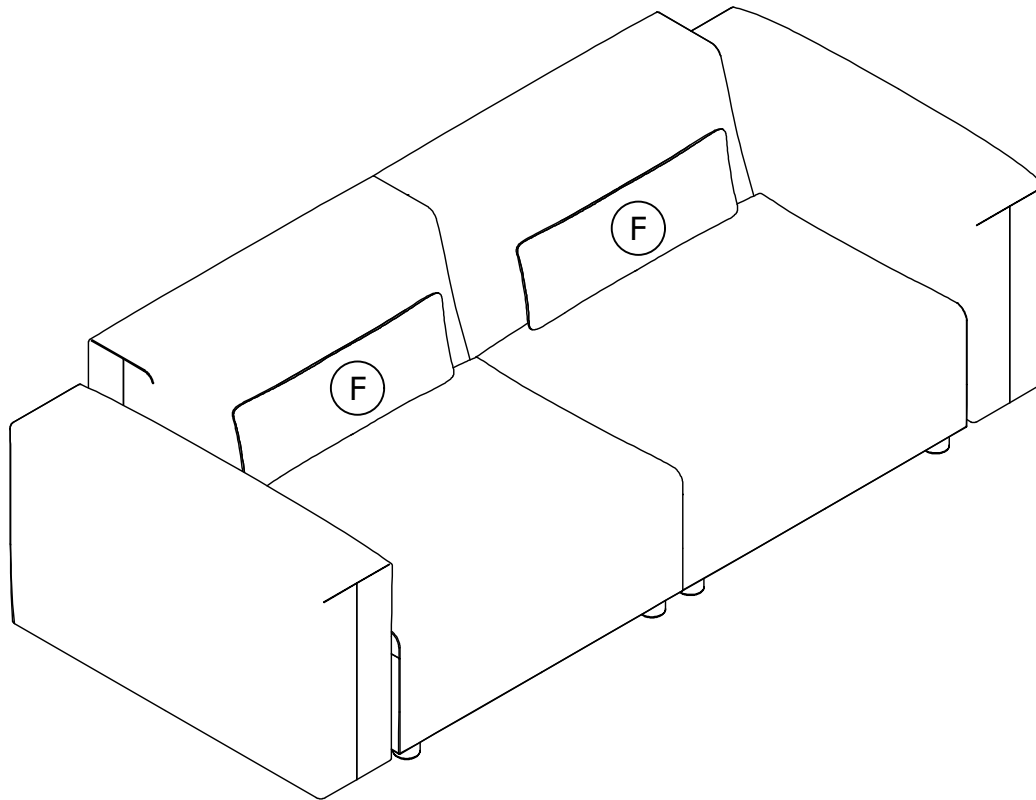
7.1 Manually screw **G** x 8 to **A** x 2, **D** & **E**.

7.2 Manually screw **H** x 2 to **B** & **C**, as shown.



STEP 8:

Place **F** x 2 onto the sofa.



Helpful Hints

- Move your new furniture carefully, with two people lifting and carrying the unit to its new location.
- Your furniture can be disassembled and reassembled to move.
- Clean the product with a soft damp cloth. DO NOT use harsh chemicals or abrasive cleaners.
- For further information please contact at sales4@jsanyee.com

