

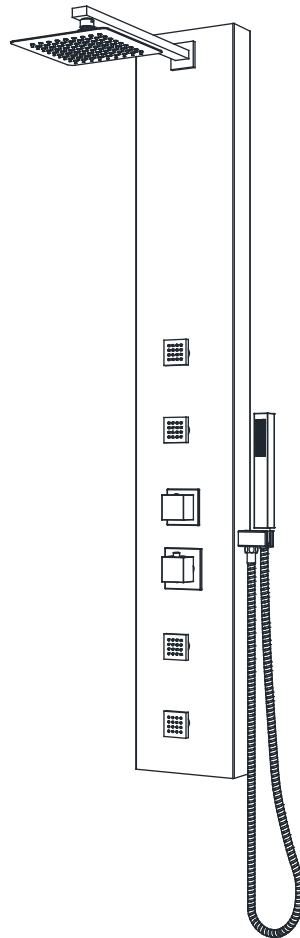
ANZZI®

ITEM: SP-AZ012

ANZZI MONSOON SHOWER PANEL  
INSTALLATION & OPERATION MANUAL

V3.2

02/03/2026



# DON'T WAIT! REGISTER NOW!

Register your product within 90 days to ensure your product is recognized as an official purchase and is eligible for warranty coverage.

Register online at <https://anzzi.com/pages/register> or scan the QR code at PG. 2.



## PRODUCT REGISTRATION\*

**IMPORTANT:** Warranty will not be recognized unless product is registered.

Register online at <https://anzzi.com/pages/register> or Scan the QR code below.

Registering online is fast, secure, and ensures we receive your information.

1

USE YOUR PHONE CAMERA  
TO SCAN THE QR CODE



2

FILL IN A QUICK  
REGISTRATION FORM

Thank you for your purchase!

Registering your products ensures you maximize your warranty benefits and receive prompt service and support.

Name\*

Email\*

City\*

Order #\*

Installer Name

⋮

Model Purchased\*

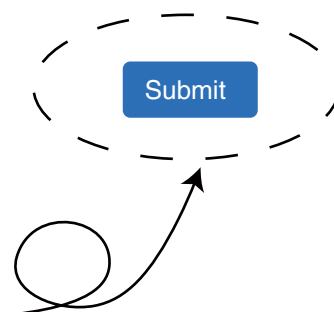
Installer Phone Number

Customer Age Range

Submit

3

CLICK SUBMIT AND  
ENJOY PEACE OF MIND

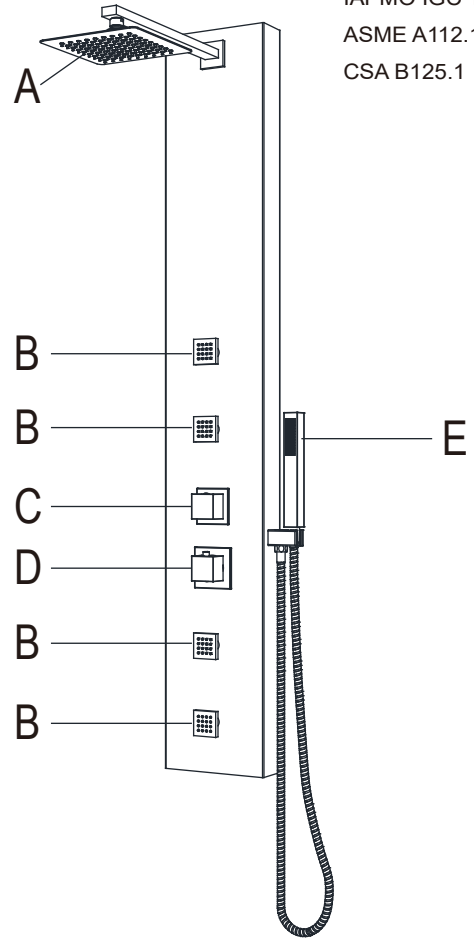
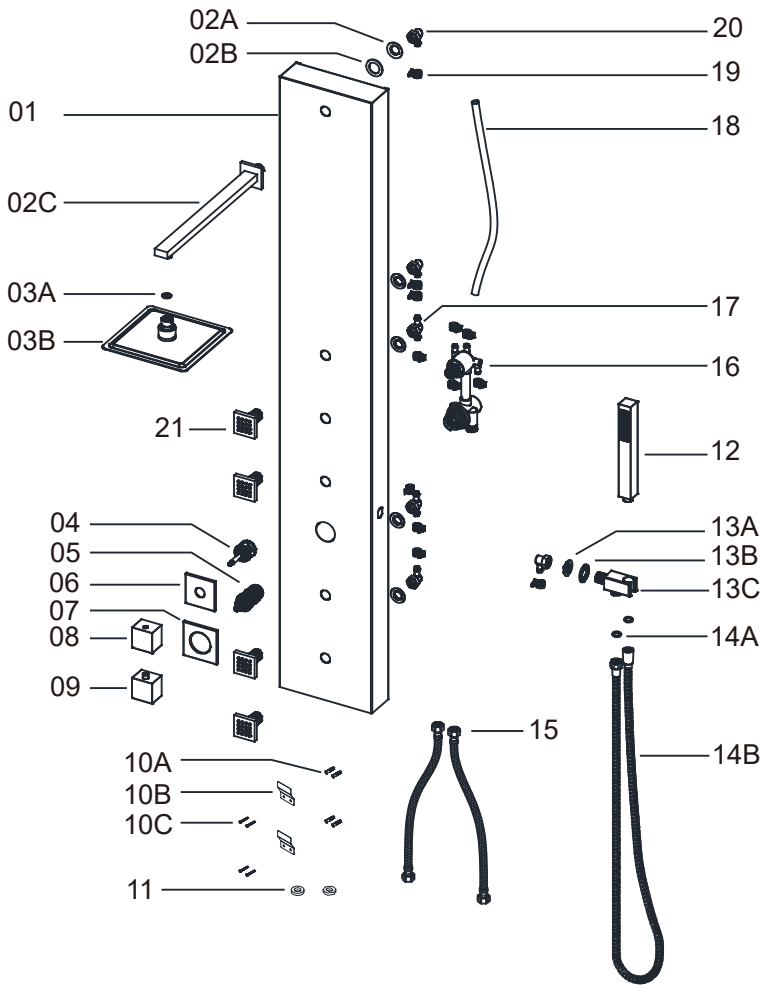


Need help? For technical support call 305-614-4070 or visit us at [www.ANZZI.com](http://www.ANZZI.com)

# PARTS LIST



IAPMO IGC 154  
ASME A112.18.1/  
CSA B125.1



Part	Description	Qty	Part	Description	Qty
[01]	Shower Panel	1	[11]	Washer	2
[02A]	Nut	1	[12]	Hand Shower	1
[02B]	Washer	1	[13A]	Nut	1
[02C]	Shower Arm	1	[13B]	Washer	1
[03A]	Gasket	1	[13C]	Hand Shower Holder	1
[03B]	Shower Head	1	[14A]	Washer	2
[04]	Diverter Cartridge	1	[14B]	Shower Hose	1
[05]	Thermostatic Cartridge	1	[15]	Hose	2
[06]	Diverter Flange	1	[16]	Body	1
[07]	Thermostatic Flange	1	[17]	Connector	2
[08]	Diverter Handle	1	[18]	Hose	1
[09]	Thermostatic Handle	1	[19]	Clip	12
[10A]	Anchor	4	[20]	Connector	2
[10B]	Bracket	2	[21]	Body Jet	2
[10C]	Screw	4			

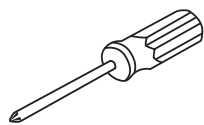
- A. Shower Head
- B. Body Jets
- C. Diverter
- D. Thermostatic control
- E. Hand Shower

## PRODUCT FEATURES

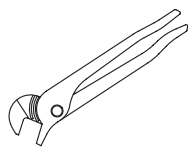
- Thermostatic valve inside
- Anti-scold protection
- Preset water temperature providing constant warm water
- Single diverter controls water flowing between Rain Shower/ Body Jets/ Hand Shower
- Rust-free materials

# BEFORE YOU START

## Recommended Items



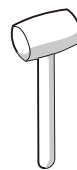
Screwdriver



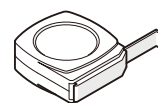
Channel Locks



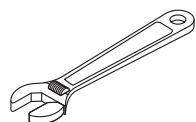
Goggles



Rubber Mallet



Measure



Adjustable Wrench



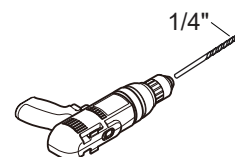
Teflon Tape



Allen Key



Pencil



Electric Drill

## Read Before Using Your New Shower Panel

- Congratulations on your purchase. Your new shower panel is designed to enhance your bathroom with a luxurious, spa-like experience for years to come. This premium shower panel delivers the pleasure of massaging body spray jets and modern functionality, all within the comfort of your own home.
- The shower panel is designed to operate with standard residential plumbing systems and will function using your existing water supply lines at typical household water pressure and flow rates.
- Before installing or using this product, please read this manual carefully and completely. The instructions and safety information provided are essential for proper installation, safe operation, and long-term performance. Improper installation, maintenance, or repair — including failure to follow care and cleaning instructions — may result in product damage and could void the warranty.

## IMPORTANT

### 1. Inspect Before Installation

Before beginning installation, ensure the package is intact and all components are free of damage. If you discover any damaged parts, contact your dealer or ANZZI immediately.

### 2. Installation Knowledge Required

Basic plumbing knowledge is required to install this shower panel. If you are unfamiliar with plumbing techniques or have questions, contact your dealer or consult a licensed professional plumber.

### 3. Indoor Use Only

This shower panel is designed for indoor residential use only. It is not intended for outdoor installation or any other applications.

### 4. Supply Hoses & Shut-Off Valves

The product includes flexible supply hoses. It is recommended that shut-off (stop) valves be installed between the water supply lines and the shower panel for ease of maintenance.

### 5. Water Pressure Requirements

The required water supply pressure range is **20–125 PSI**. If your water pressure exceeds this range, a pressure-reducing valve must be installed.

### 6. Leak Inspection

After installation, check all connections for leaks. Tighten fittings if necessary, but do not overtighten.

### 7. Thermostatic Valve Pressure Balance

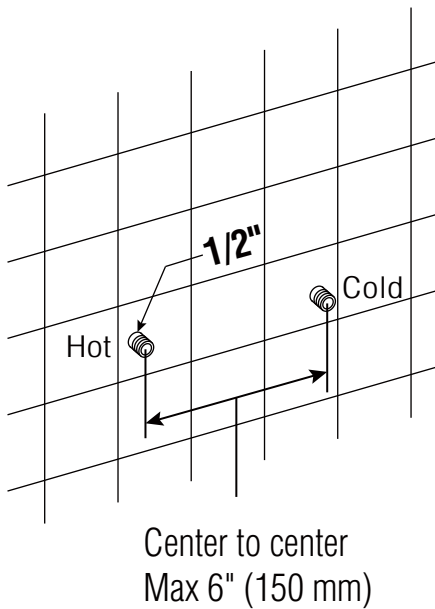
For models equipped with a thermostatic valve, the pressure difference between the hot and cold water supply must not exceed **30%**. Exceeding this limit may prevent proper operation.

### 8. Maximum Water Temperature

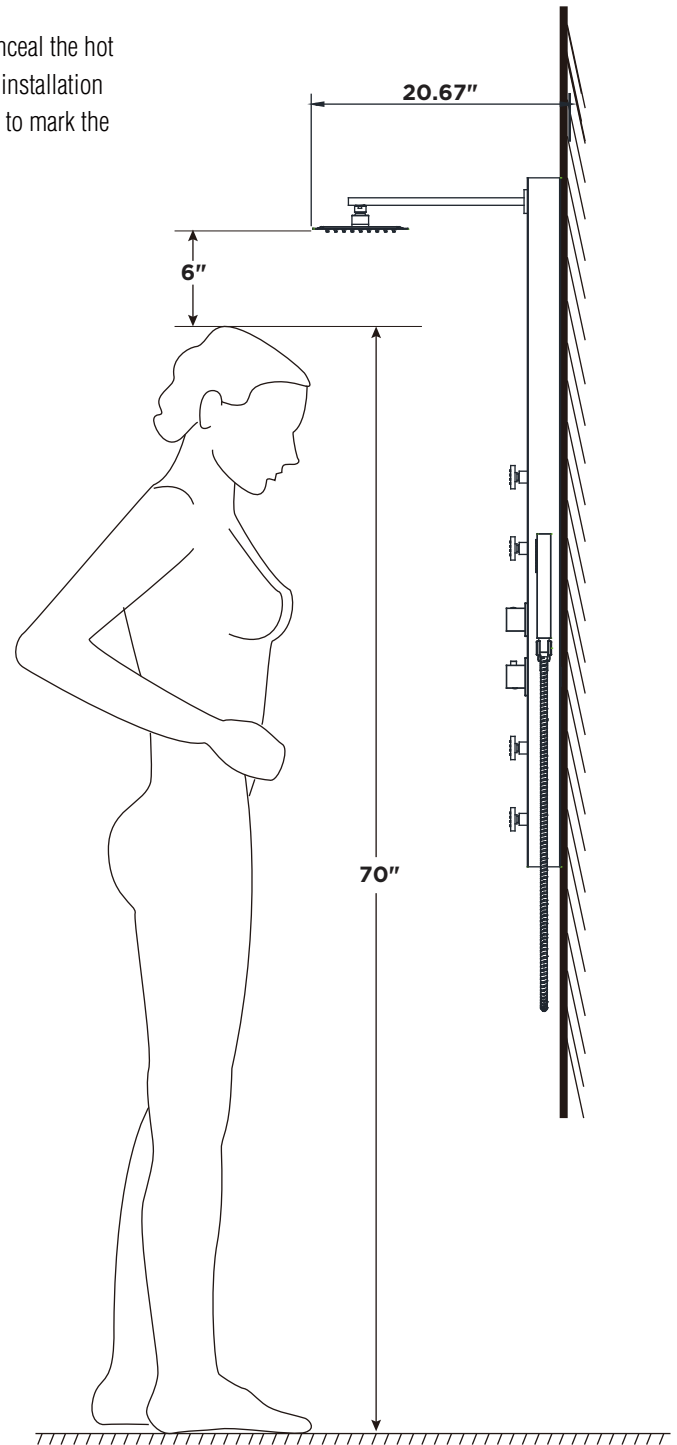
For models with a thermostatic valve, the maximum recommended water temperature is **49°C (120°F)** to prevent scalding.

## Mounting the Brackets of the Shower Panel

- It is recommended that the shower panel be mounted at a height that allows comfortable use by individuals of varying heights. Determine the exact mounting height and position on the wall before installation. Allow approximately **6" (15 cm)** of clearance above the showerhead, taking into account the average height of household users, and maintain a minimum clearance of **1" (2.5 cm)** from the ceiling (see **Figure A**).
- Adjust the plumbing as needed to ensure sufficient clearance for proper installation of the shower panel (see **Figure B**).
- The selected mounting height must allow the shower panel to fully conceal the hot and cold water supply connection points. To accurately determine the installation location, use a tape measure and pencil or other suitable marking tool to mark the mounting points on the wall.

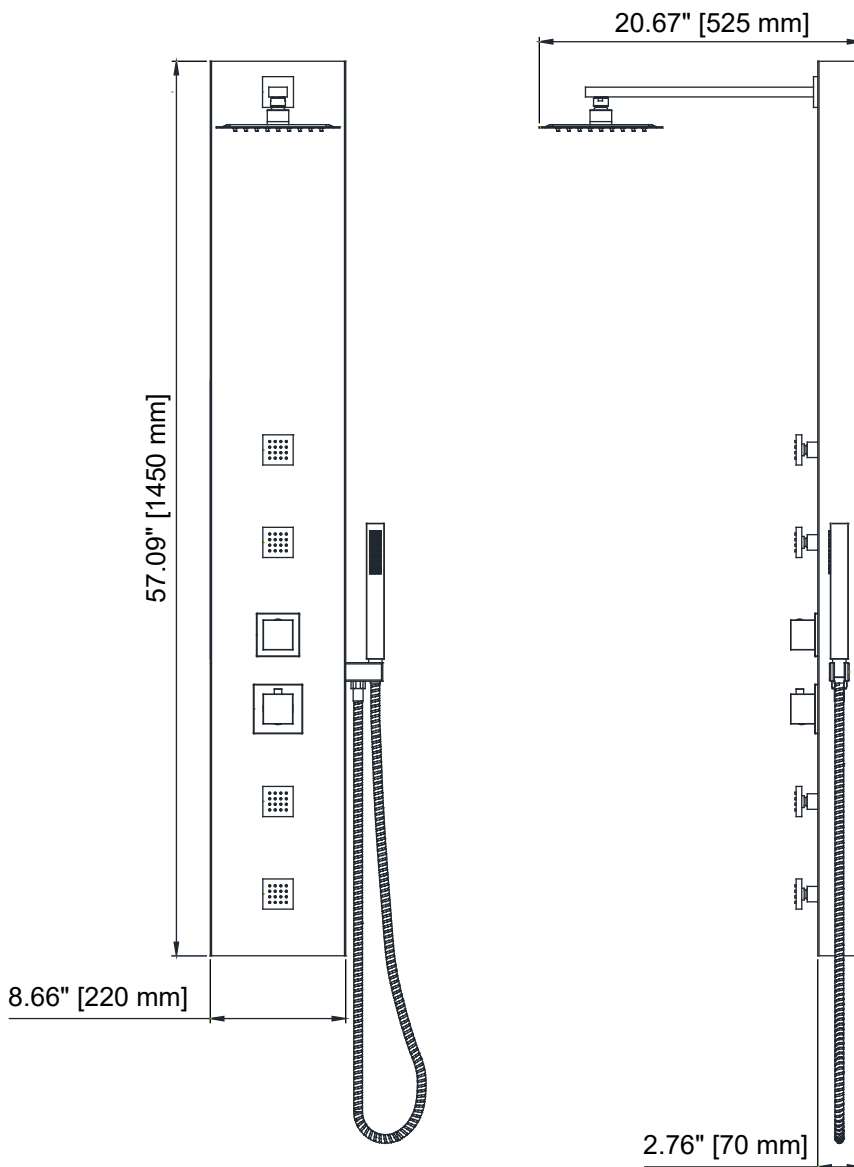


**Figure B**



**Figure A**

# PRODUCT SIZE CHART



## OPERATION

### Diverter Valve

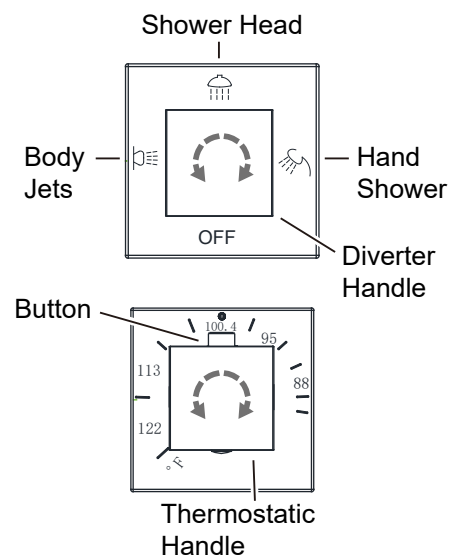
Note: The shower panel must be turned **off** before adjusting the diverter handle.

- Turn the diverter handle **90° clockwise** to direct water to the **body jets**.
- Turn the diverter handle **90° counterclockwise** to direct water to the **hand shower**.
- Turn the diverter handle **180° clockwise** to direct water to the **shower head**.

### Temperature Valve

- Turn the thermostatic handle **clockwise** to **lower** the water temperature.
- Press and hold the **safety button**, then turn the handle **counterclockwise** to **increase** the water temperature.

Safety Note: The maximum water temperature is limited to **below 120°F (49°C)** to help prevent scalding.



# STEP 1

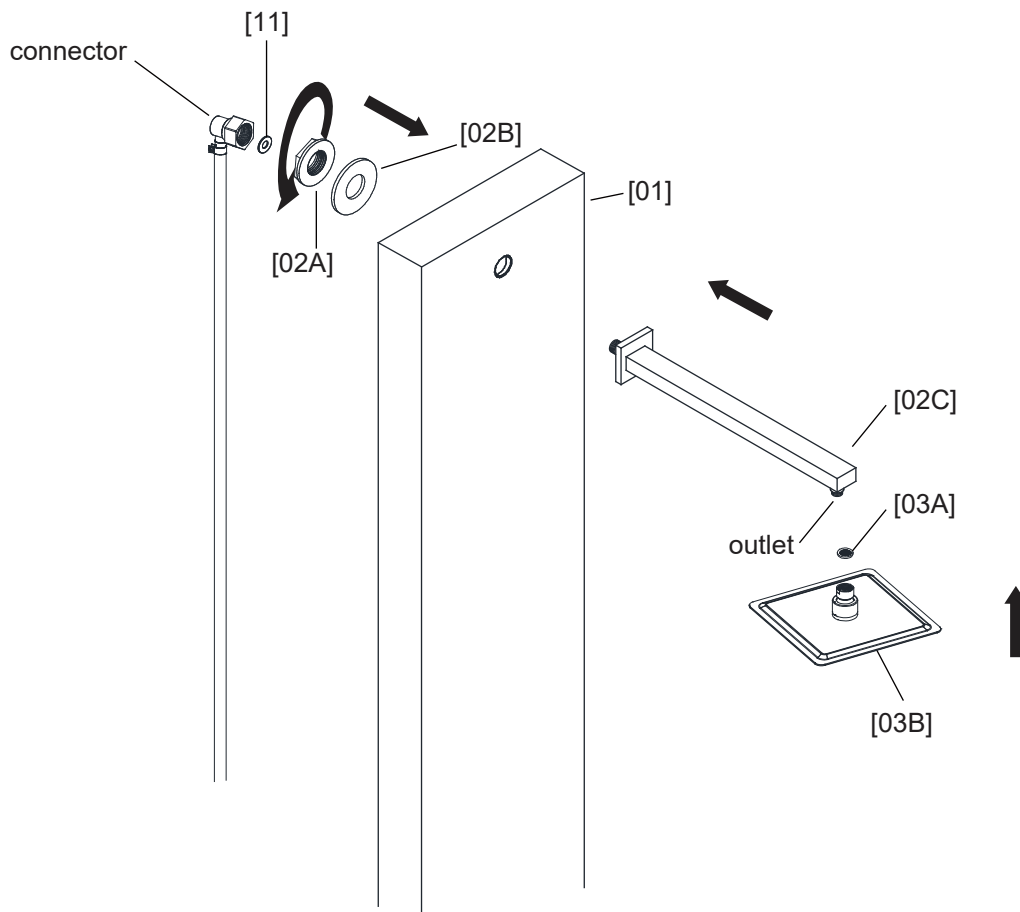


Fig 1

- 1-1** Remove the **Nut [02A]** and **Washer [02B]** from the **Shower Arm [02C]** and slide the **Shower Arm [02C]** into the **Shower Panel [01]** from the front. From the back of the **Shower Panel [01]**, slide the **Washer [02B]** onto the **Shower Arm [02C]** and secure it with **Nut [02A]**. **Do not over tighten!**  
Notice: Make sure the **outlet** of **Shower Arm [02C]** is pointing downward.
- 1-2** Install the **connector** with **Washer [11]** in it to the **Shower Arm [02C]** as figure shows.
- 1-3** Install the **Shower Head [03B]** onto **Shower Arm [02C]** and secure it.  
Notice: Make sure there is a **Gasket [03A]** inside the **Shower Head [03B]**.

# STEP 2

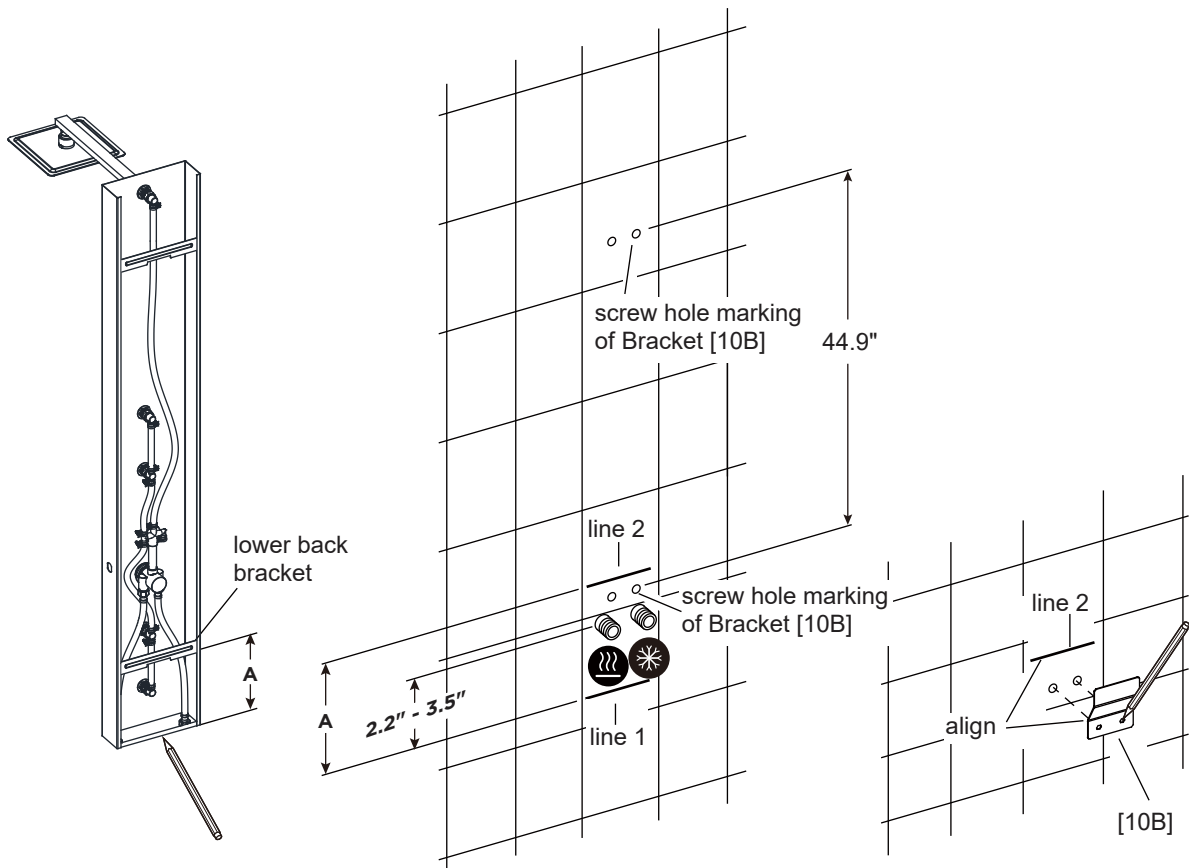


Fig 2.1

Fig 2.2

Fig 2.3

- 2-1** Position the shower panel on the wall according to figure A on page 5. Draw line 1 on the wall along the bottom of shower panel. (Fig 2.1)  
Notice: Make sure the outlets are located 2.2" - 3.5" above the bottom of **Shower Panel [01]**.
- 2-2** Measure the distance A between the bottom of the shower panel and the lower **Bracket [10B]**. Then draw line 2 above line 1 at the distance A. (Fig 2.2)
- 2-3** Position the **Bracket [10B]** on the wall with its lower corners aligned with line 2 and center with the center line between the outlets. Then mark the wall through the screw holes of the **Bracket [10B]**. (Fig 2.3)
- 2-4** Position another **Bracket [10B]** above the previous one on the wall so the screw holes are 44.9" above the screw hole marks for the first bracket and center with the center line between the outlets. Then mark the screw holes of the second **Bracket [10B]** on the wall. (Fig 2.2)

# STEP 3

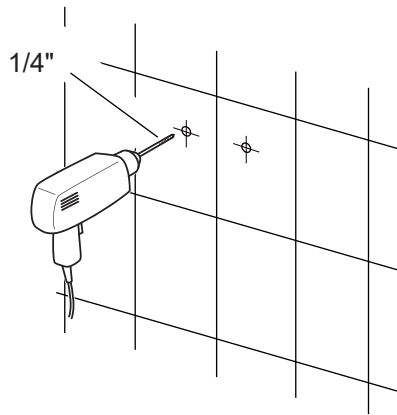


Fig 3.1

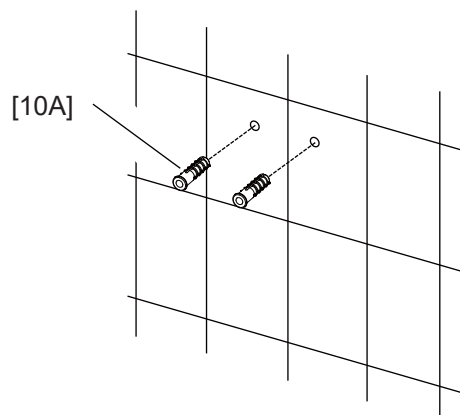


Fig 3.2

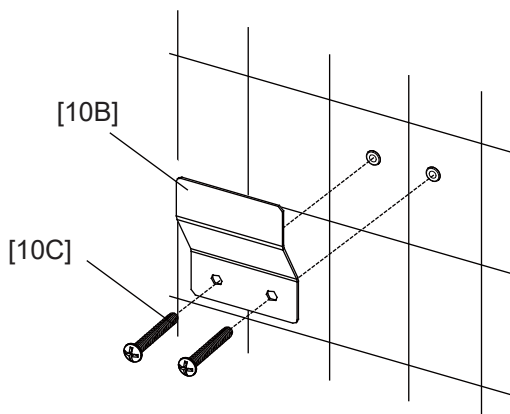


Fig 3.3

**IMPORTANT** Before drilling any holes for the shower panel brackets, be sure there are no hidden cables or pipelines aligned with the desired drilling position.

**3-1** Drill 1/4" holes at the marked positions. (Fig 3.1)

**3-2** Install the **Anchors [10A]**. (Fig 3.2)

**3-3** Secure the **Brackets [10B]** with **Screws [10C]**. (Fig 3.3)

# STEP 4

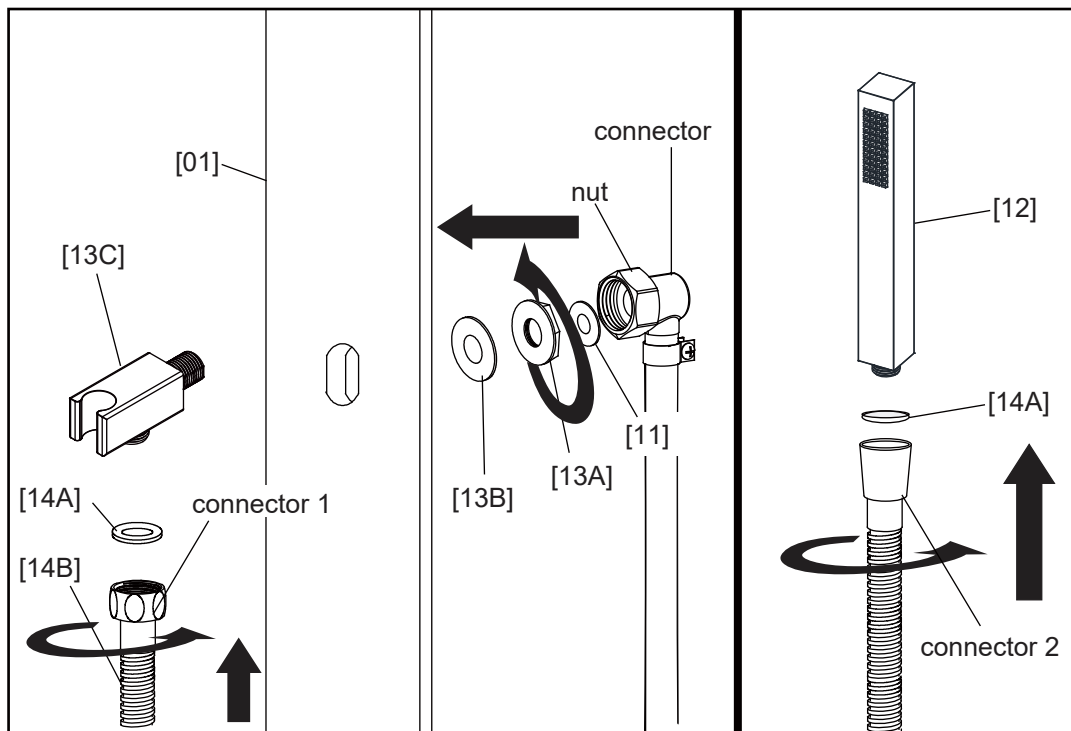


Fig 4.1

Fig 4.2

- 4-1** Install the **Shower Holder [13C]** through the hole from the right of **Shower Panel [01]**. Make sure the shower hose connector faces downward. (Fig 4.1)
- 4-2** Slide the **Washer [13B]** to the **Shower Holder [13C]** from the inside of **Shower Panel [01]** and secure it by tightening the **Nut [13A]**. Do not over tighten. (Fig 4.1)
- 4-3** Install the **connector** with **Washer [11]** in it to the **Shower Holder [13C]**. Then tighten the **nut** of the **connector** to secure. (Fig 4.1)
- 4-4** Connect the **connector 1** of **Shower Hose [14B]** to **Shower Holder [13C]** and **connector 2** to **Hand shower [12]**. Tighten the connectors to secure. Make sure there are washers inside the connectors. (Fig 4.1, Fig 4.2)

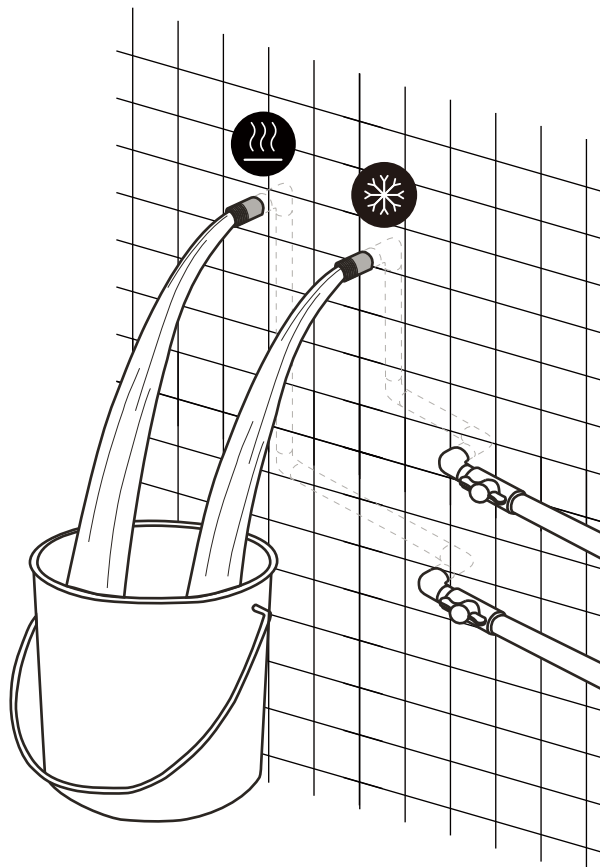
# STEP 5

**IMPORTANT:** Before connecting the inlet hoses and water supplies, turn on cold and hot water supplies and flush water lines for one minute. **This flushes away any debris that could cause damage to internal parts.**

1



2



3



# STEP 6

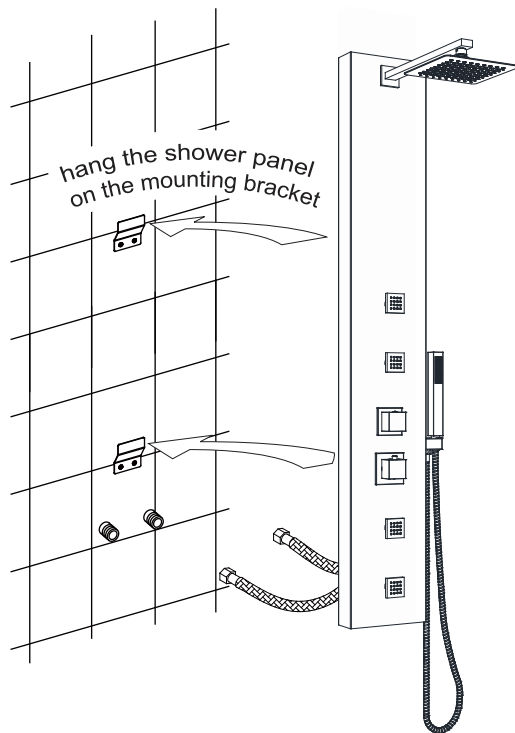


Fig 6.1

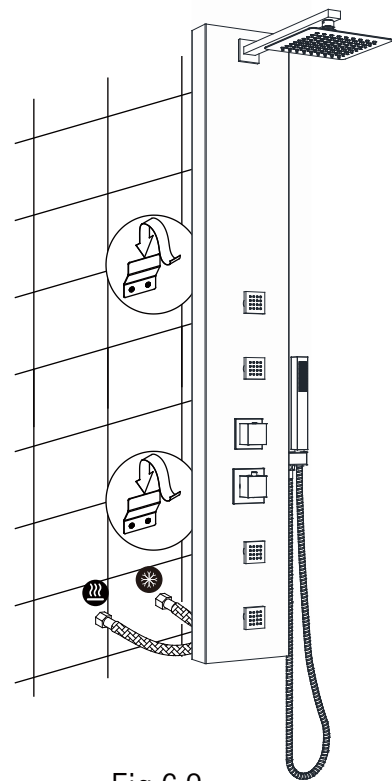


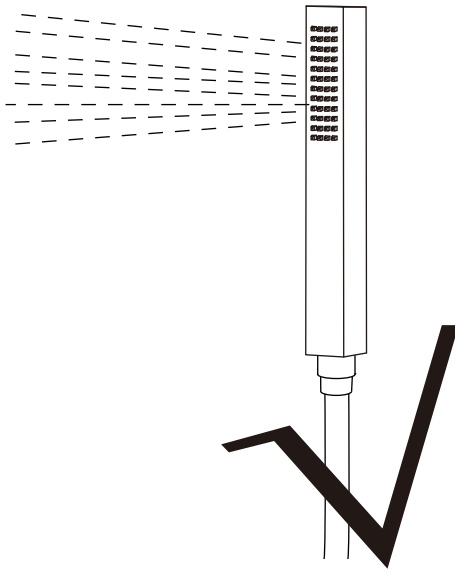
Fig 6.2

- 6-1** Connect the Hoses labeled with "Hot" or "Cold" to the outlets, then tighten the nuts of the hoses. **DO NOT OVER TIGHTEN!** (Fig 6.1)

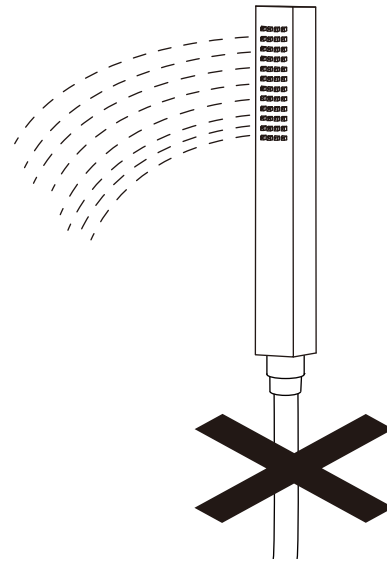
**Notice: Make sure the hose labeled with "Hot" connected to the hot water outlet, the hose labeled with "Cold" connected to the cold water outlet. Otherwise the outlet water won't be warm or can't maintain the water temperature.**

- 6-2** Before hanging the shower panel onto the wall, turn on the faucet and test all water functions of the shower panel and check all connections for leaks. Retighten if necessary, but do not overtighten. (Fig 6.1)
- 6-3** Slide the shower panel down until it rests on the mounting brackets. Slightly pull down the shower panel to secure. (Fig 6.1, Fig 6.2)

# CARE AND MAINTENANCE

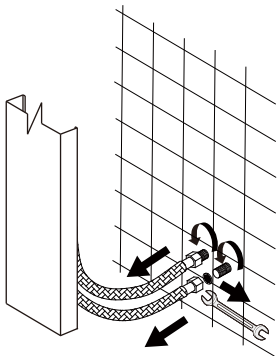


The water flow is normal



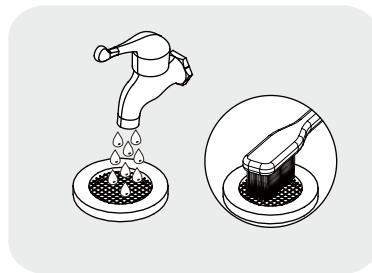
The water flow becomes smaller

1



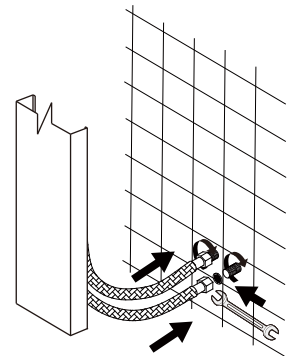
Remove the hot and cold water pipes and take out the filter screen.

2



Clean the filter screen.

3



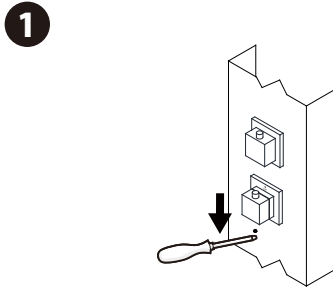
Install the filter and connect the hot and cold water pipes.

**Note:** If water flow decreases, clean the inlet hose filter screens. If the issue persists after cleaning, remove and clean the thermostatic cartridge by following the instructions on pages 14–15.

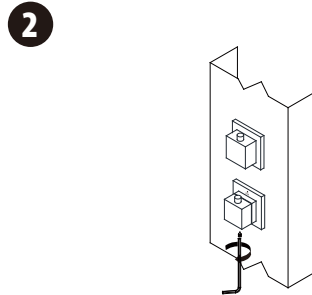
# CARE AND MAINTENANCE

## IMPORTANT:

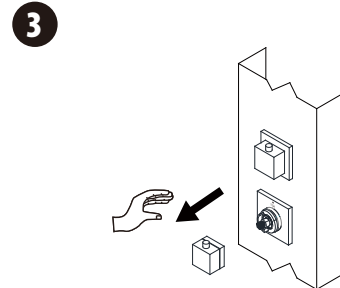
It is **not recommended** that the user disassemble the thermostatic cartridge on their own. For servicing or repairs, please consult a qualified professional.



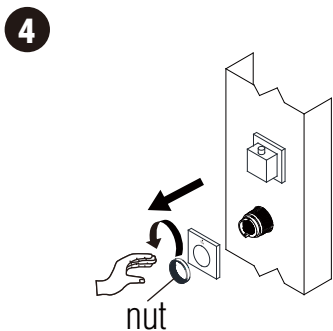
Remove the blue plug.



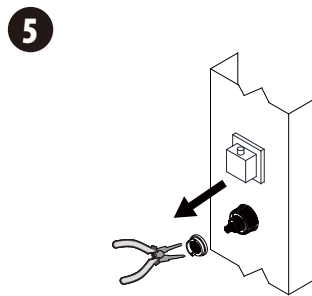
Loose the screw with the hexagon wrench.



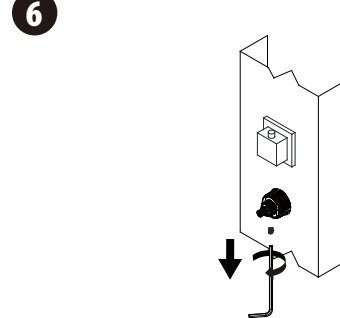
Remove the thermostatic handle.  
**Note:** The cartridge stem may only be rotated when the handle is properly installed. Do not rotate the cartridge stem during or after handle removal.



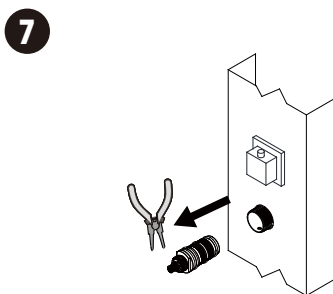
Remove the nut and thermostatic flange.



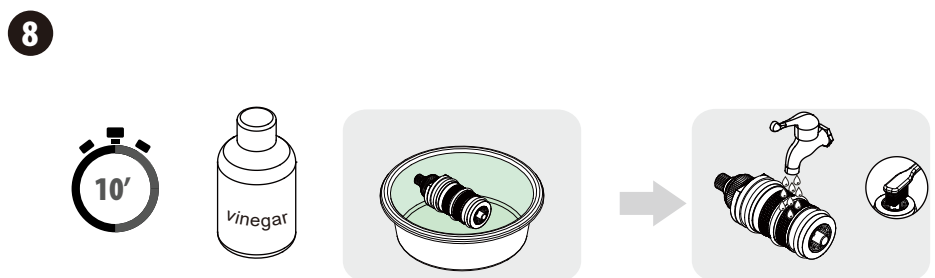
Remove thermostatic restrictor with the plier.  
**Note:** We suggest recording the position of thermostatic restrictor by camera.



Remove the screw from below of the valve.



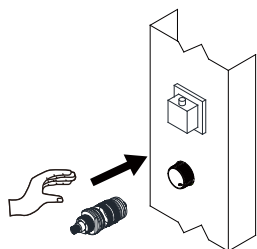
Unplug the thermostatic cartridge.



Soak the thermostatic cartridge in vinegar for 10 minutes  
Rinse the cartridge with clean flowing water.

# CARE AND MAINTENANCE

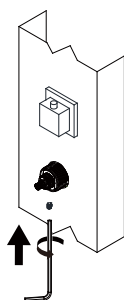
1



Put the cartridge back into the faucet.

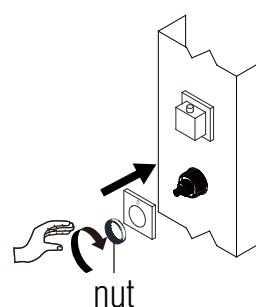
**Note:** Beware the side hole of the cartridge is pointing downside and aligning with the side hole of body.

2



Secure the thermostatic cartridge by tighten the screw.

3

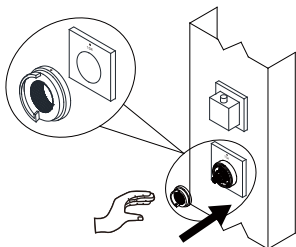


Install the thermostatic flange back to the valve again and secure it with the nut.

**Note:** Make sure the thermostatic flange is aligned with the shower panel and the figures are at the right place.

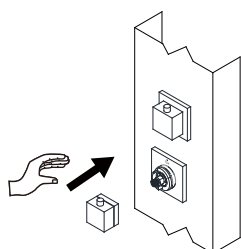
4

The white dot must be aligned with 104 degrees Fahrenheit and face up. ↑



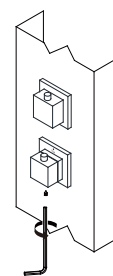
Install the thermostatic restrictor back again.

5



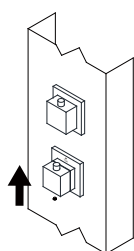
Install the thermostatic handle onto the cartridge with the button pointing upward.

6



Screw the handle to finish the installation.

7



Put the plug on.

# CARE AND MAINTENANCE

ANZZI® products are crafted with superior quality standards and workmanship and engineered to stand the test of time. However, that does not mean the product can be neglected - it will need some care and cleaning.

It is recommended to use regular soap and hot water along with a non-abrasive cloth or sponge to regularly clean the product. This avoids any build up or deposits which would be tougher to remove.

If you feel the use of stronger cleaning solutions or chemicals is necessary, always test the cleaning solution or chemical on an inconspicuous area before applying to the entire surface.

Wipe all surfaces clean and rinse completely with water immediately after applying cleaner. Rinse and dry any overspray that lands on nearby surfaces.

DO NOT ALLOW THE CLEANER TO SOAK.

Following these simple procedures will ensure your ANZZI® product remains as lustrous and stunning as the day it was first received. ENJOY!

Sincerely,

La Familia ANZZI®



ANZZI®