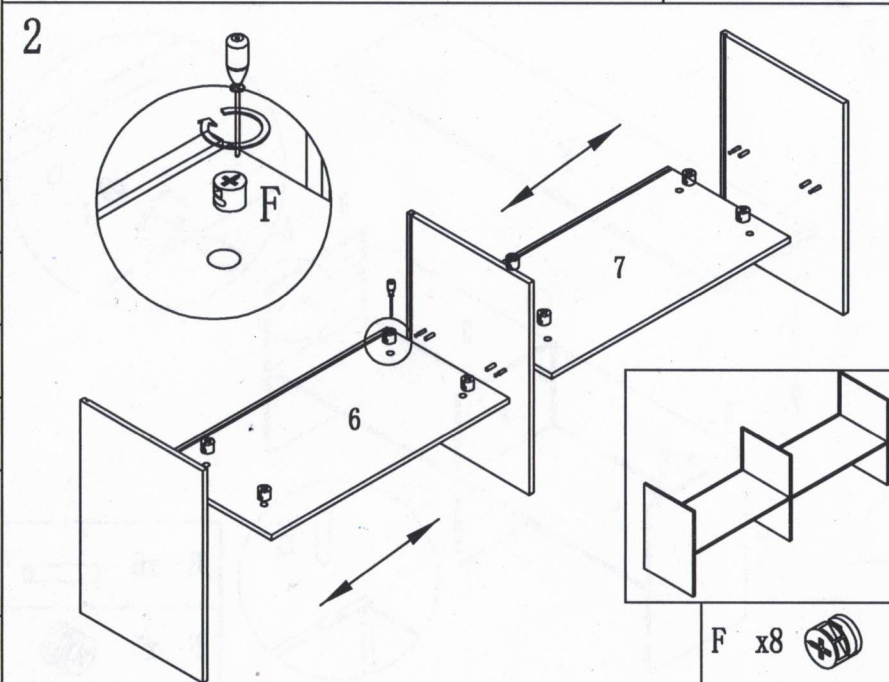
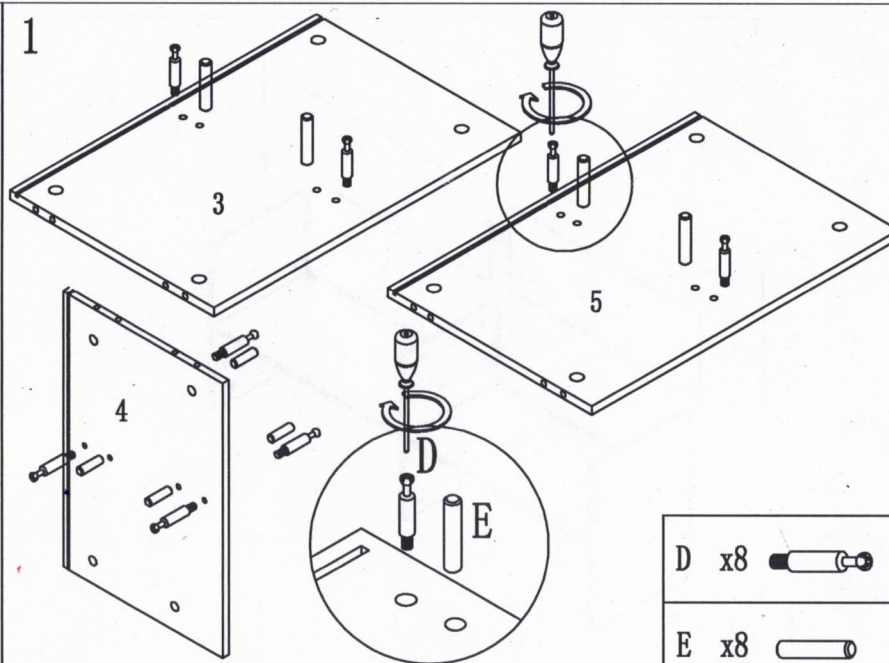
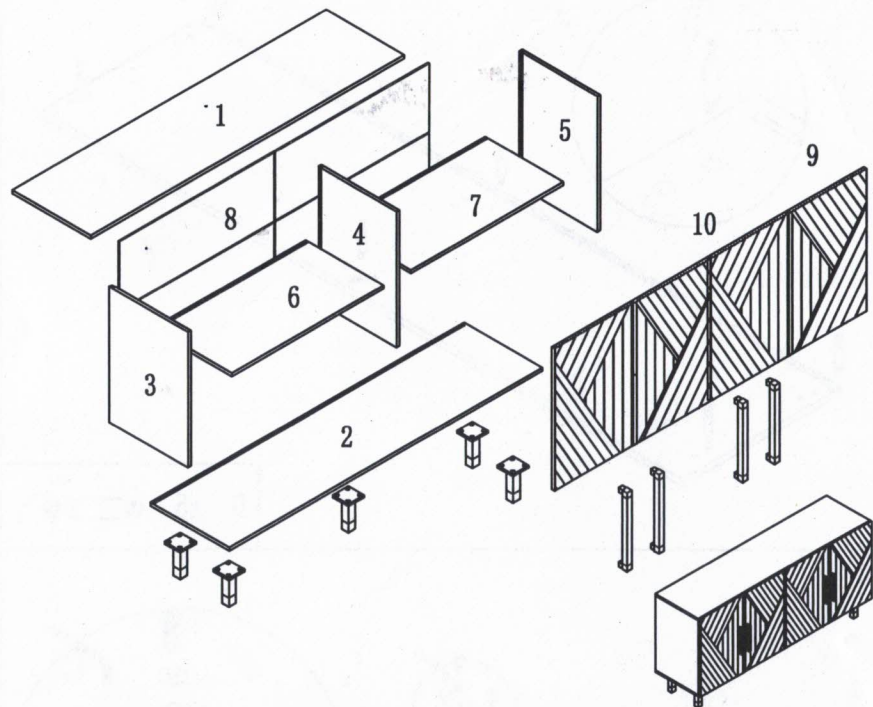


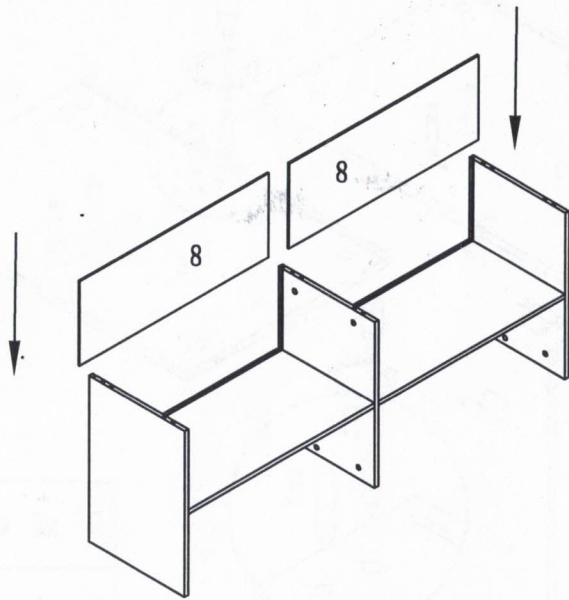
ASSEMBLY INSTRUCTION

QY-01

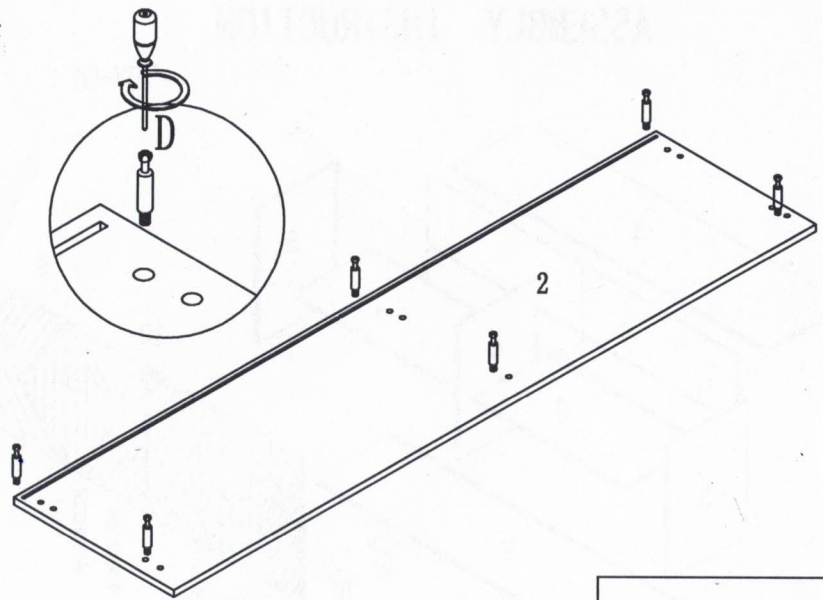


A (M6x20mm) x20		H (M3.5x14mm) x48	
B (φ18x6) x20		I (M4x25mm) x8	
C (4mm) x1		J x4	
D x20		K x5	
E (M8x40mm) x20		L x4	
F x20		M x4	
G (M3.5x16mm) x24		N x24	

3

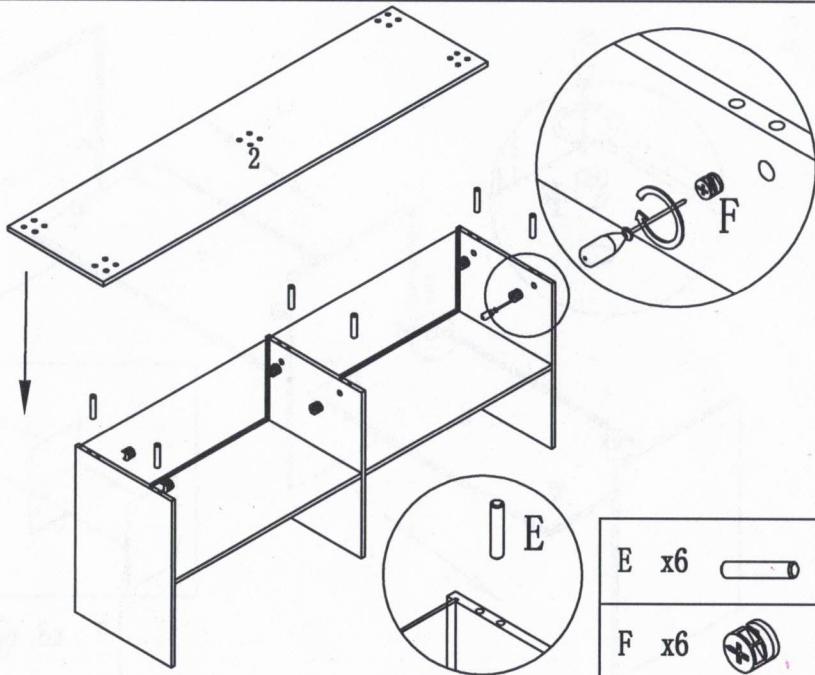


4



D x6 

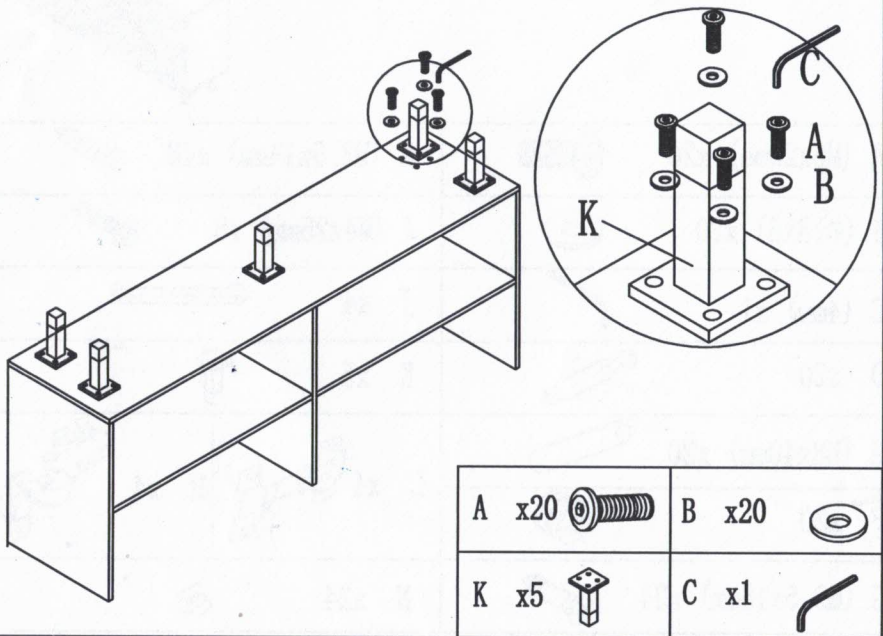
5




E x6 

F x6 


6



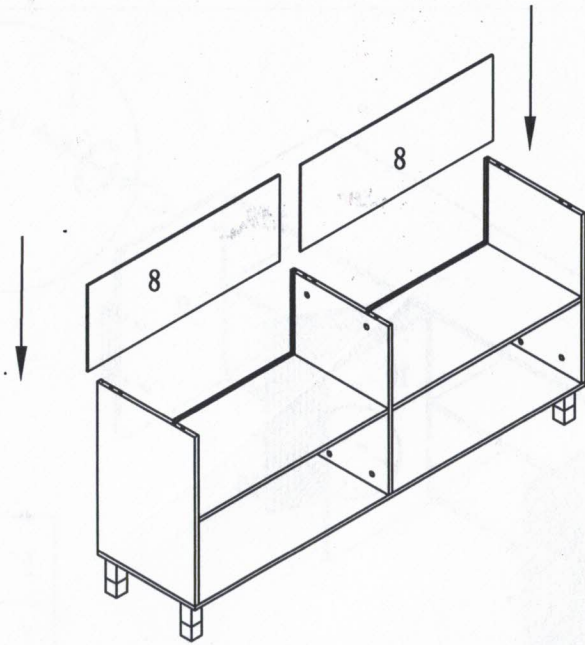
A x20 

B x20 

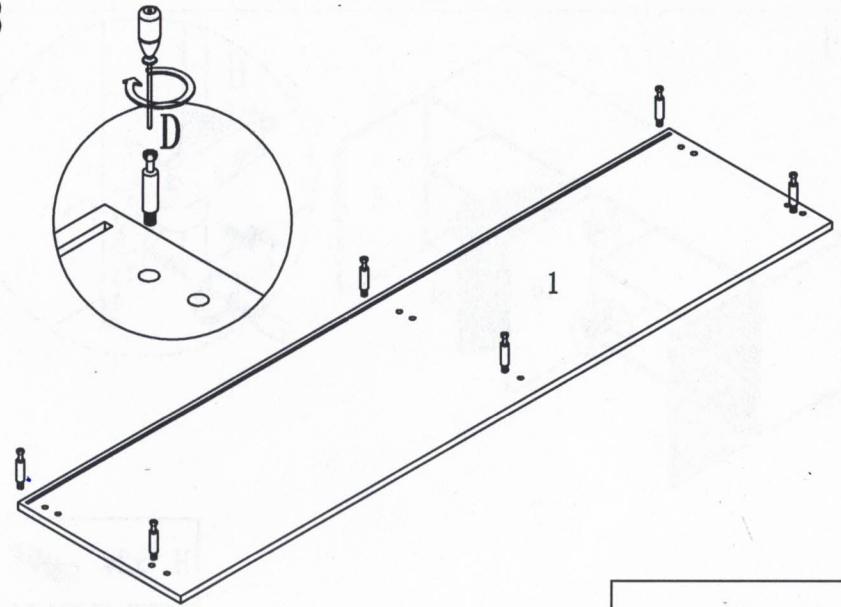
K x5 

C x1 

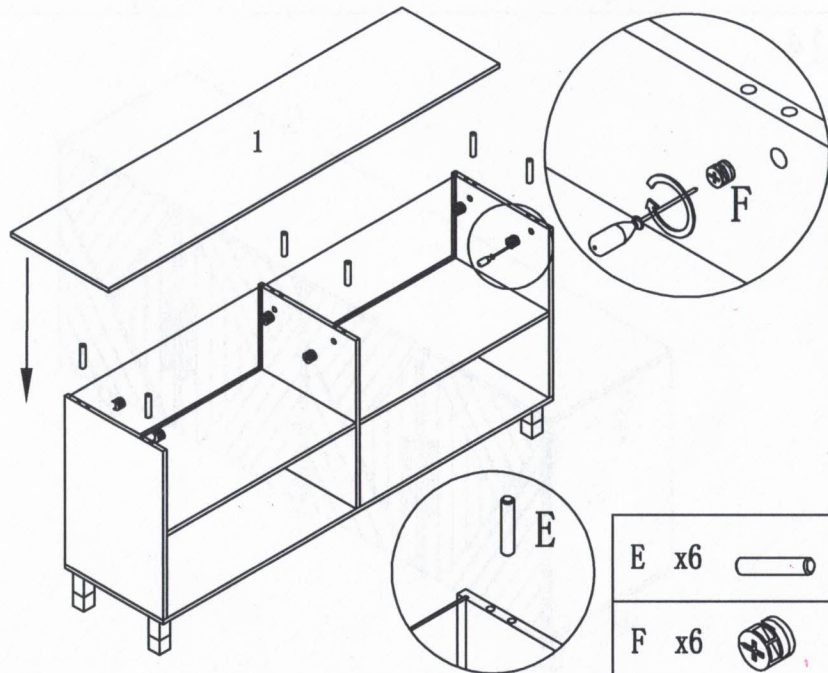
7



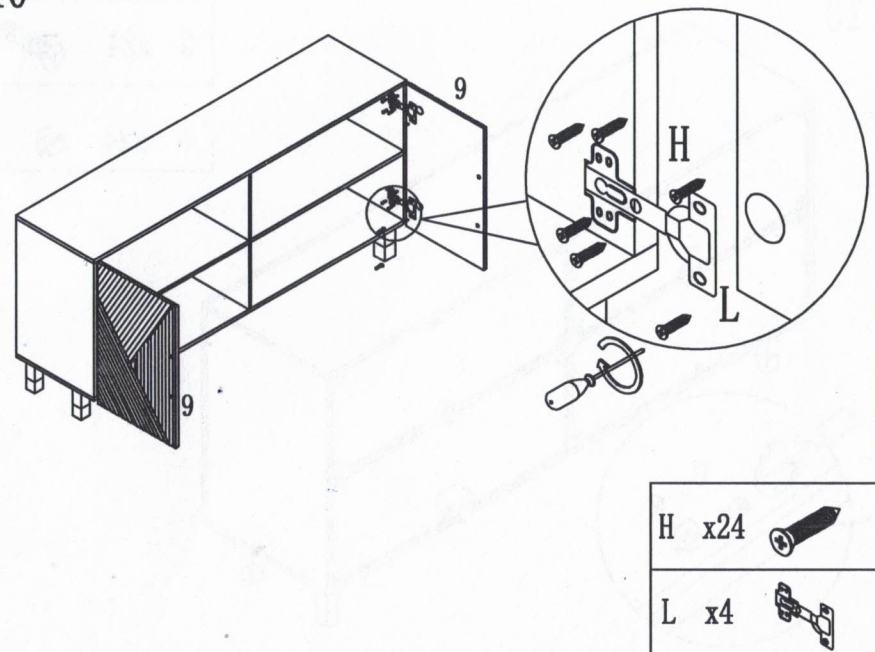

8

D x6 

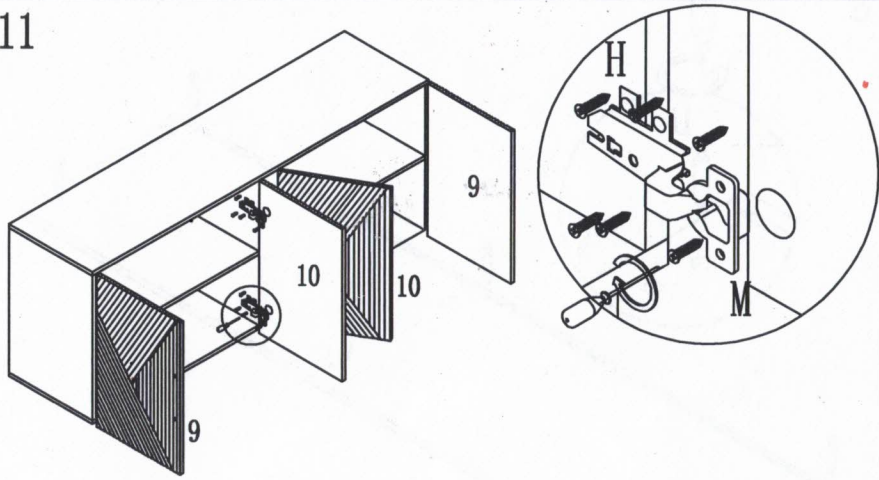
9

E x6 F x6 

10

H x24 L x4 

11



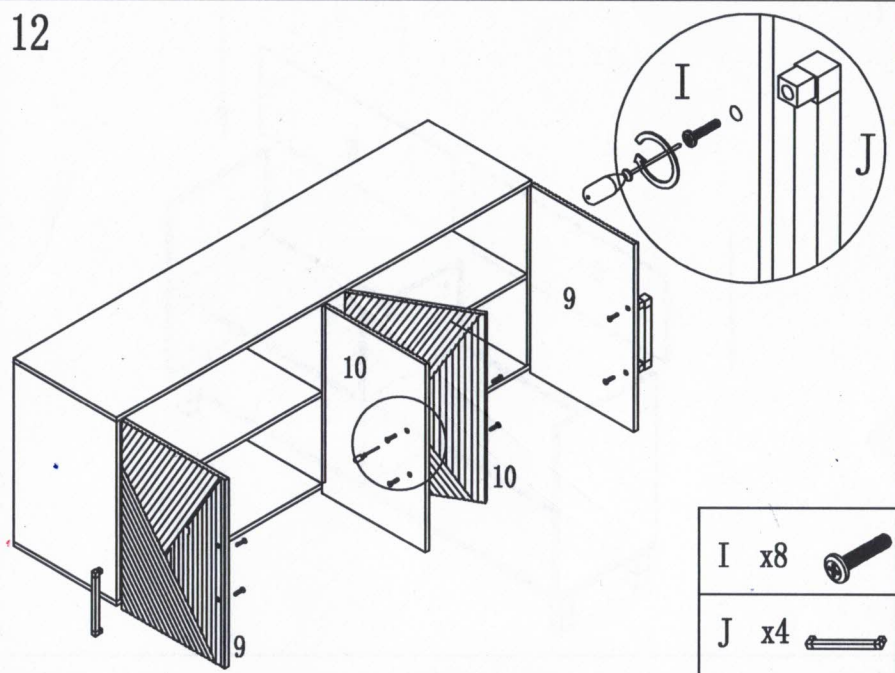
H x24



M x4



12



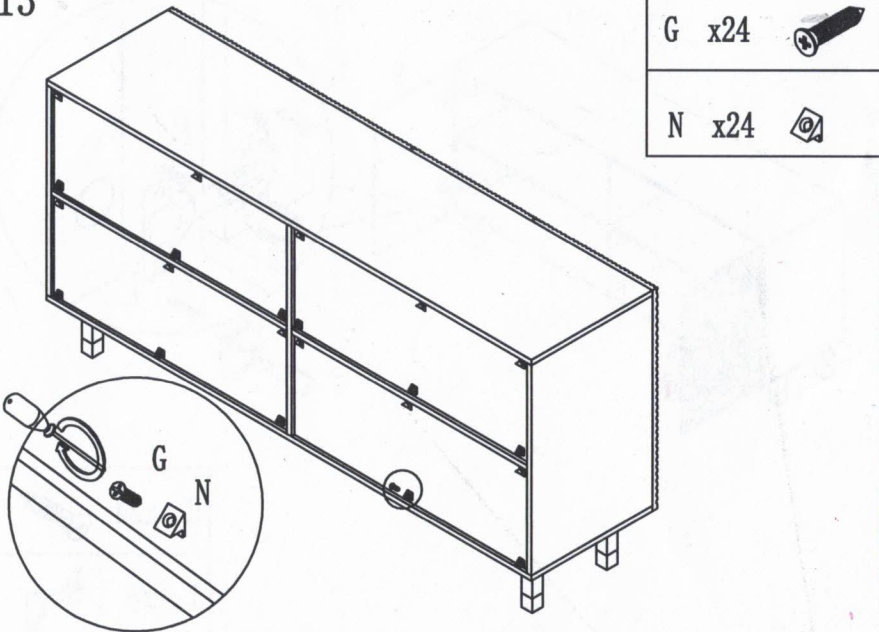
I x8



J x4



13



G x24



N x24



14

