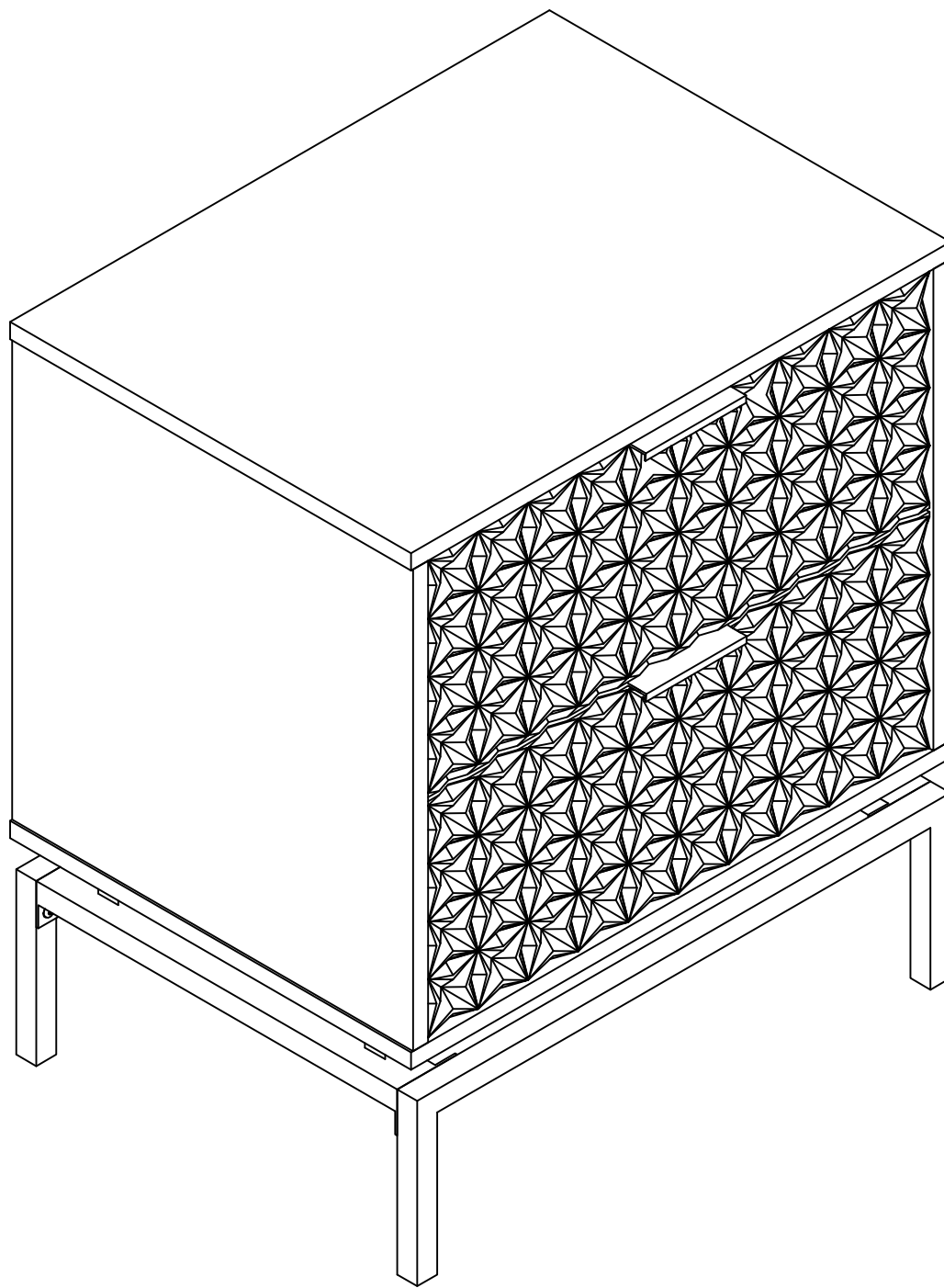


Owner Manual

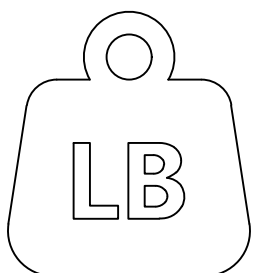


NOTE:

This brochure contains **IMPORTANT** safety info. Please read and keep for future reference.

MAINTENANCE AND WARNING

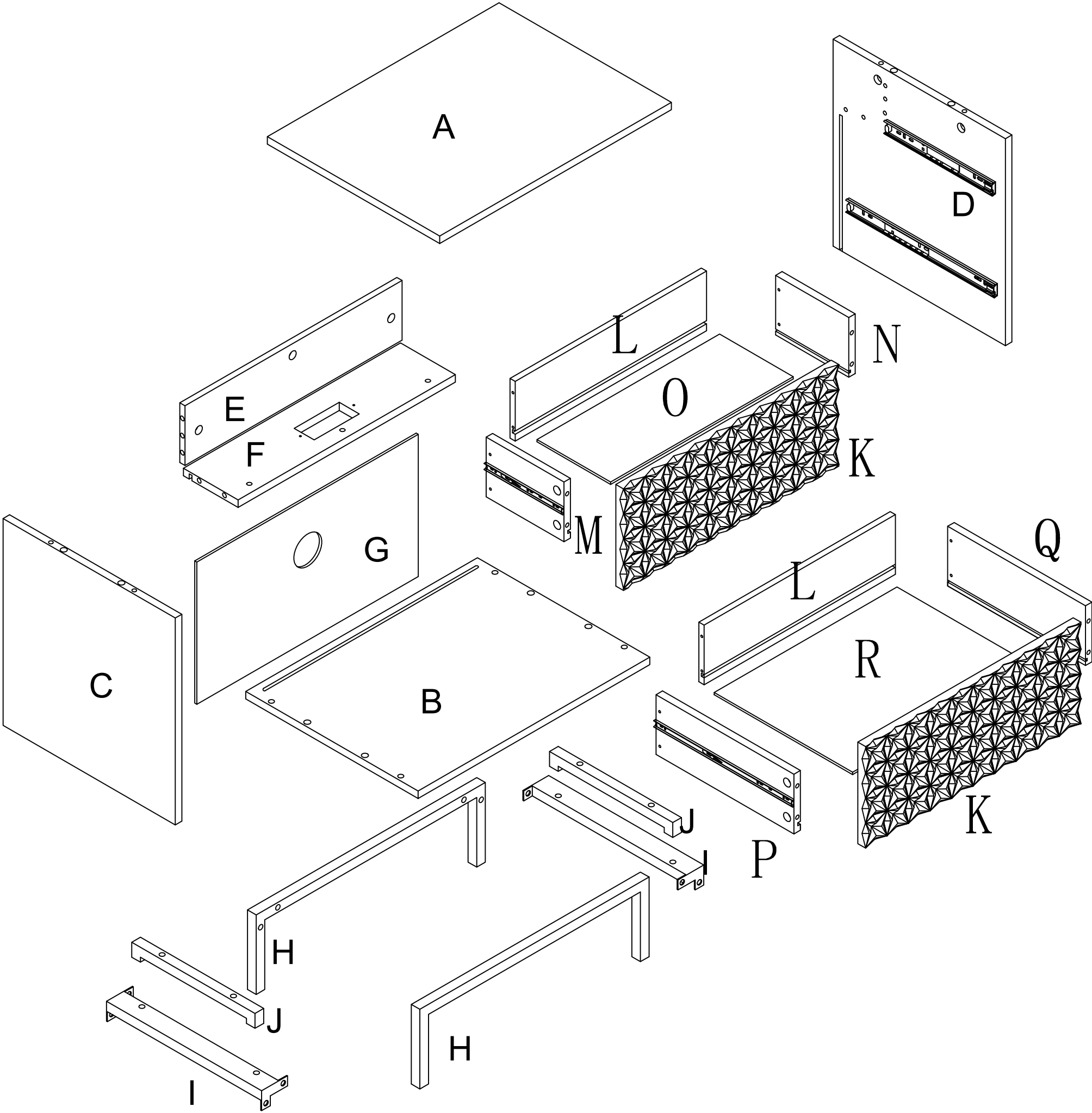
- 1.Keep furniture away from heat sources.
- 2.Do not clean furniture with harsh cleaner or polishes.Do not use detergents,solvents,abrasives,spray packs or leather cleaner. Use non-color mild soap with warm water to clean spills(Mix 1:10 soap to water).
- 3.Do not place furniture under direct sunlight,material will possibly fade over time.
- 4.Do not use on site dry cleaning machine.Children should not climb or jump on the furniture.
- 5.Do not write on furniture that is not protectedby a padded barrier.
- 6.Not for commercial use,only for residential use.



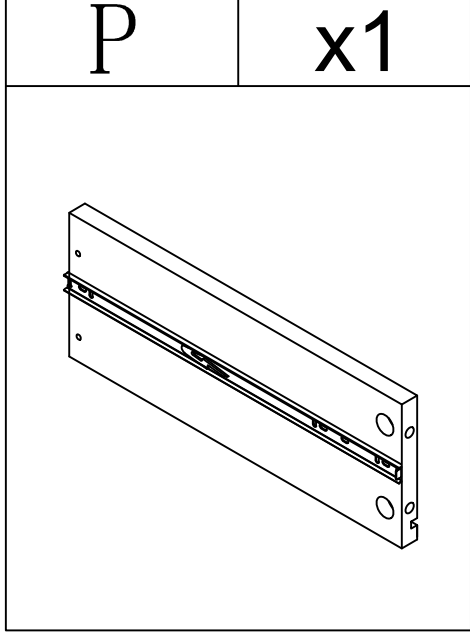
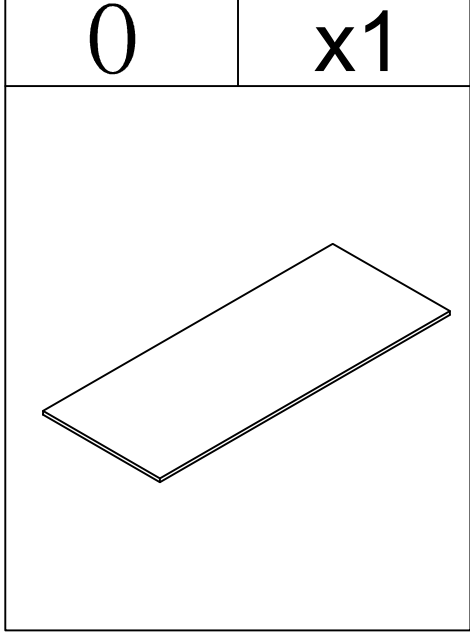
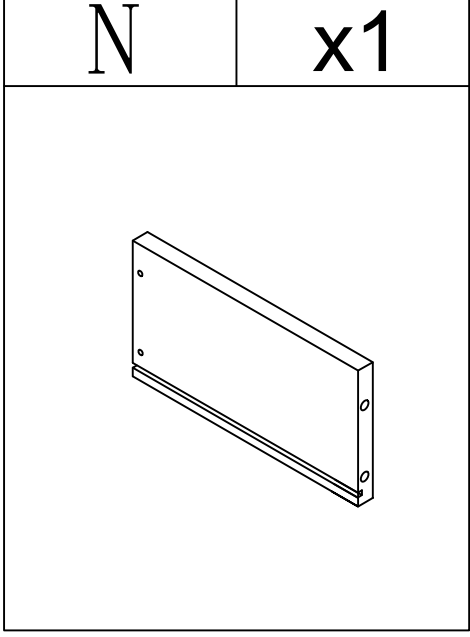
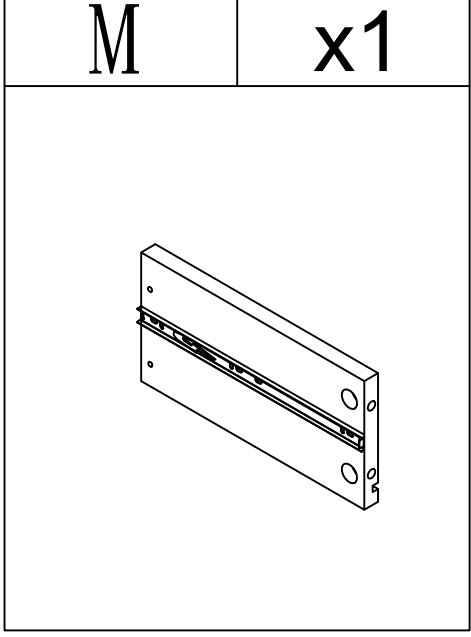
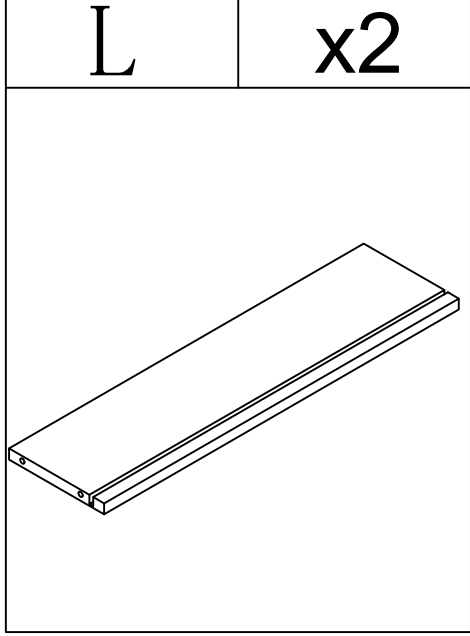
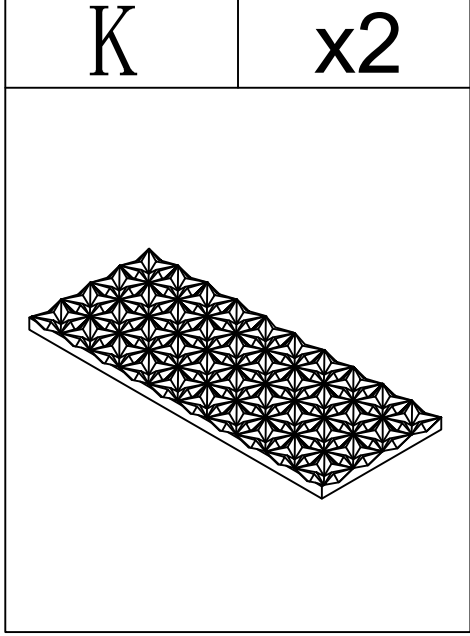
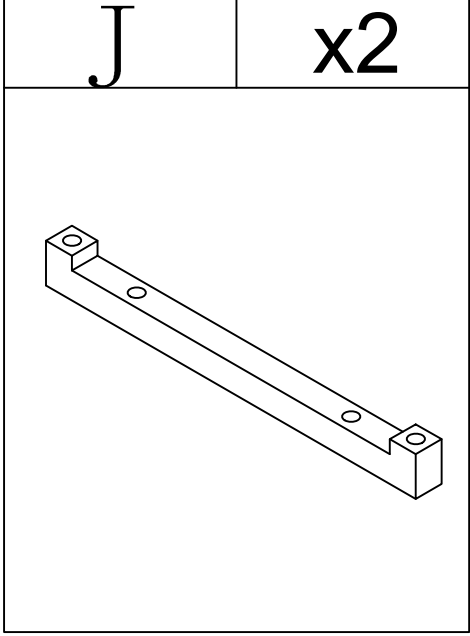
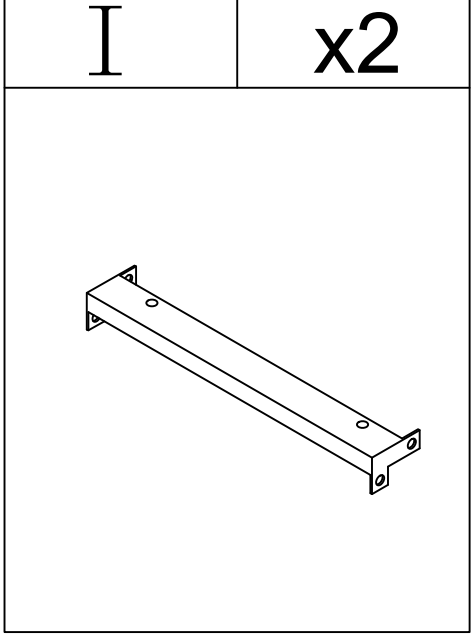
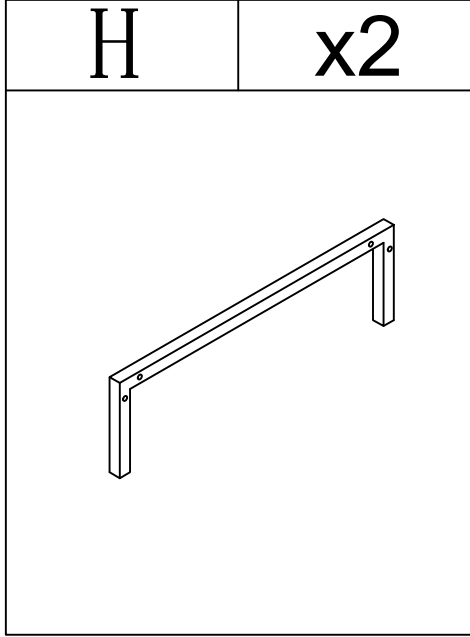
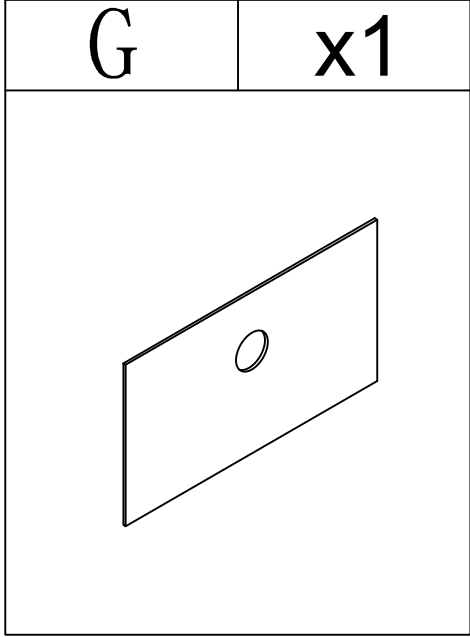
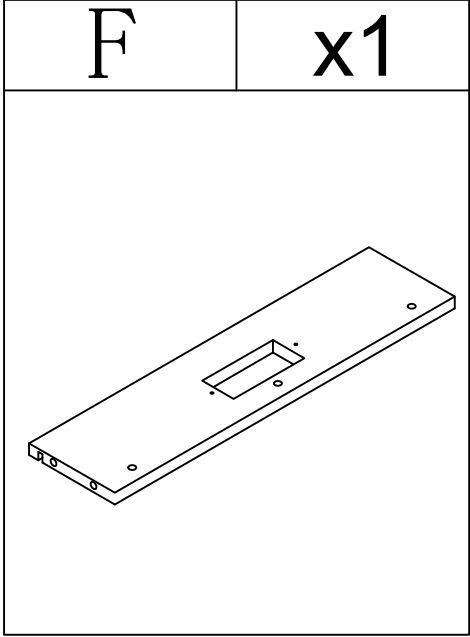
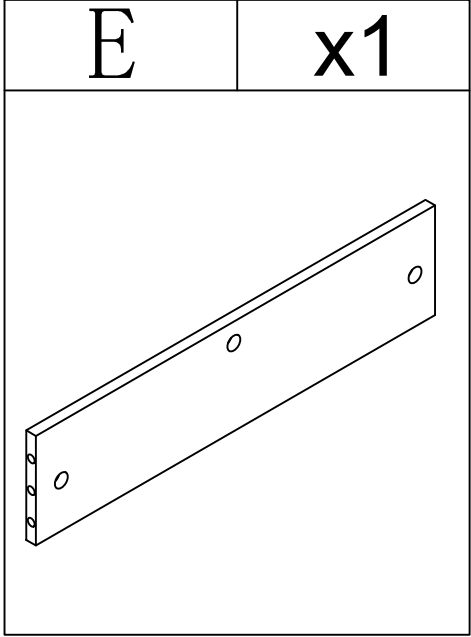
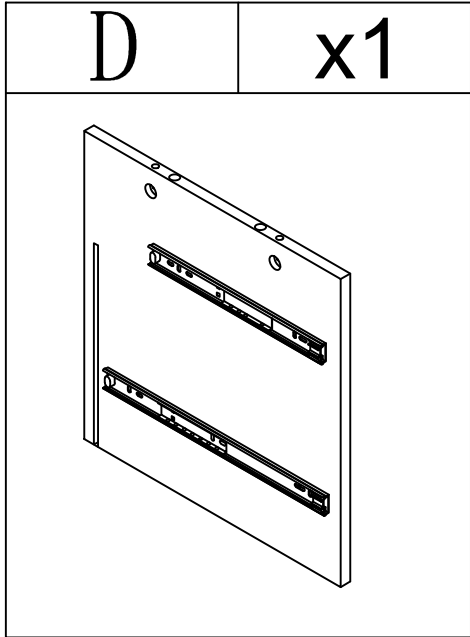
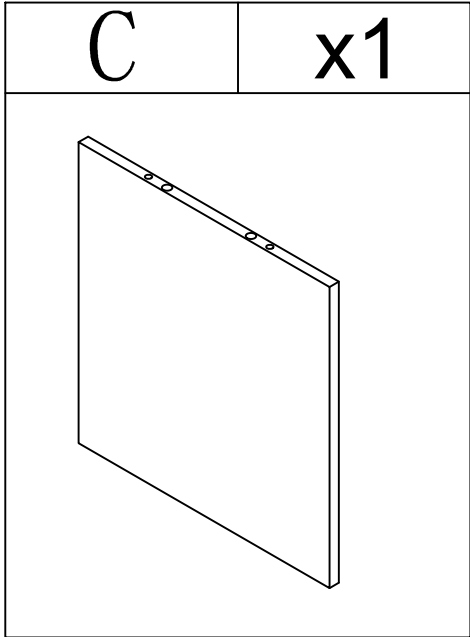
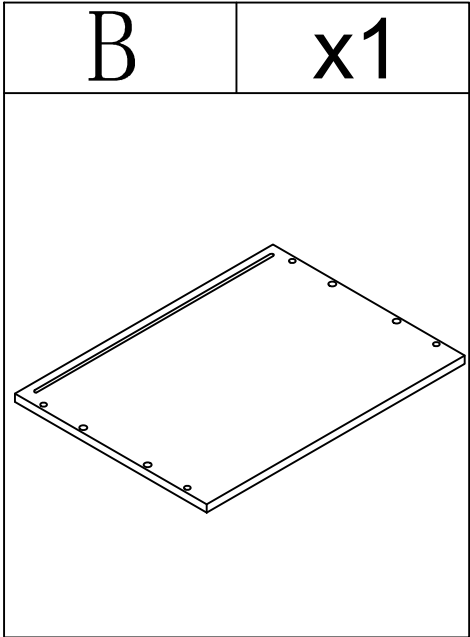
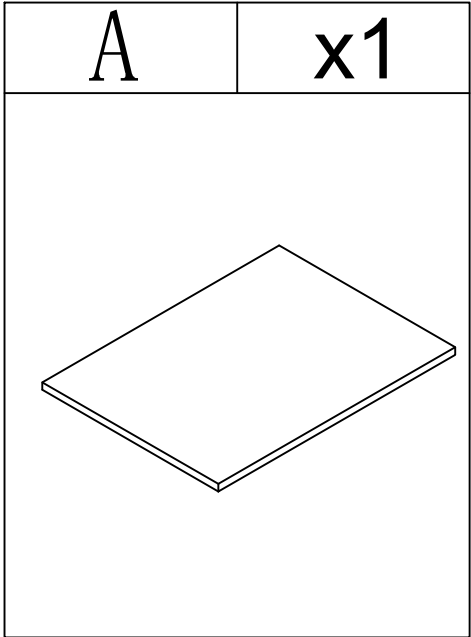
Weight Limitation

100 LBS

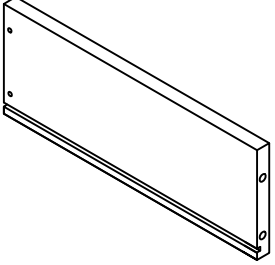
EXPLOSIVE VIEW

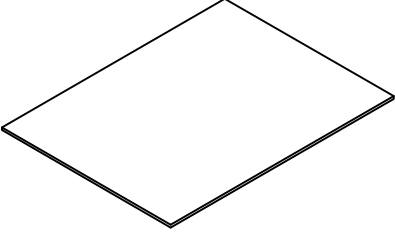


PARTS LIST

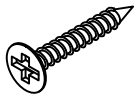
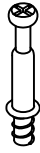

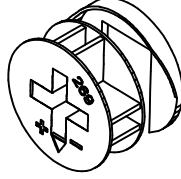

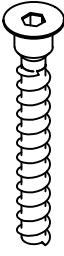
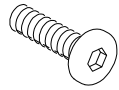
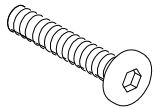
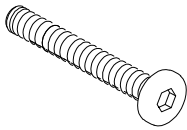
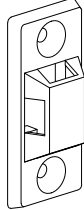
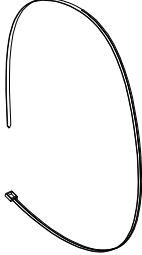
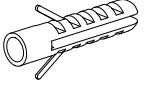
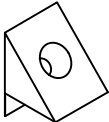
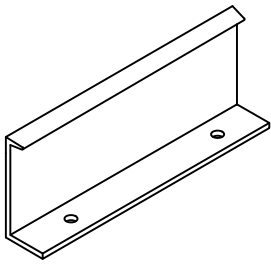

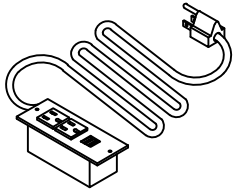



PARTS LIST

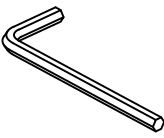
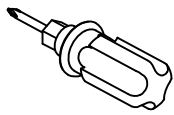
Q	x1
	

R	x1
	




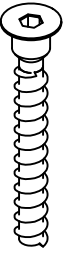
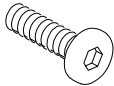
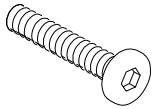
HARDWARE LIST

#1	x14	#2	x17	#3	x16	#4	x17	#5	x13	#6	x4
											
Ø3.5*14mm		Ø6*35mm		Ø8*30mm		Ø15*11		Ø4*35mm		Ø7*50mm	
#7	x8	#8	x4	#9	x4	#10	x2	#11	x1	#12	x2
											
Ø6*12mm		Ø6*30mm		Ø6*40mm						Ø8*30MM	
#13	x6	#14	x2	#15	x17	#16	x1	#17	x1		
											

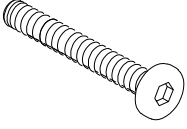
TOOL LIST

#18	x1	#19	x1
			
M4			

HARDWARE SPARE LIST

#1	x1	#2	x1	#5	x1	#6	x1	#7	x1	#8	x1
											
Ø3.5*14mm		Ø6*35mm		Ø4*35mm		Ø7*50mm		Ø6*12mm		Ø6*30mm	

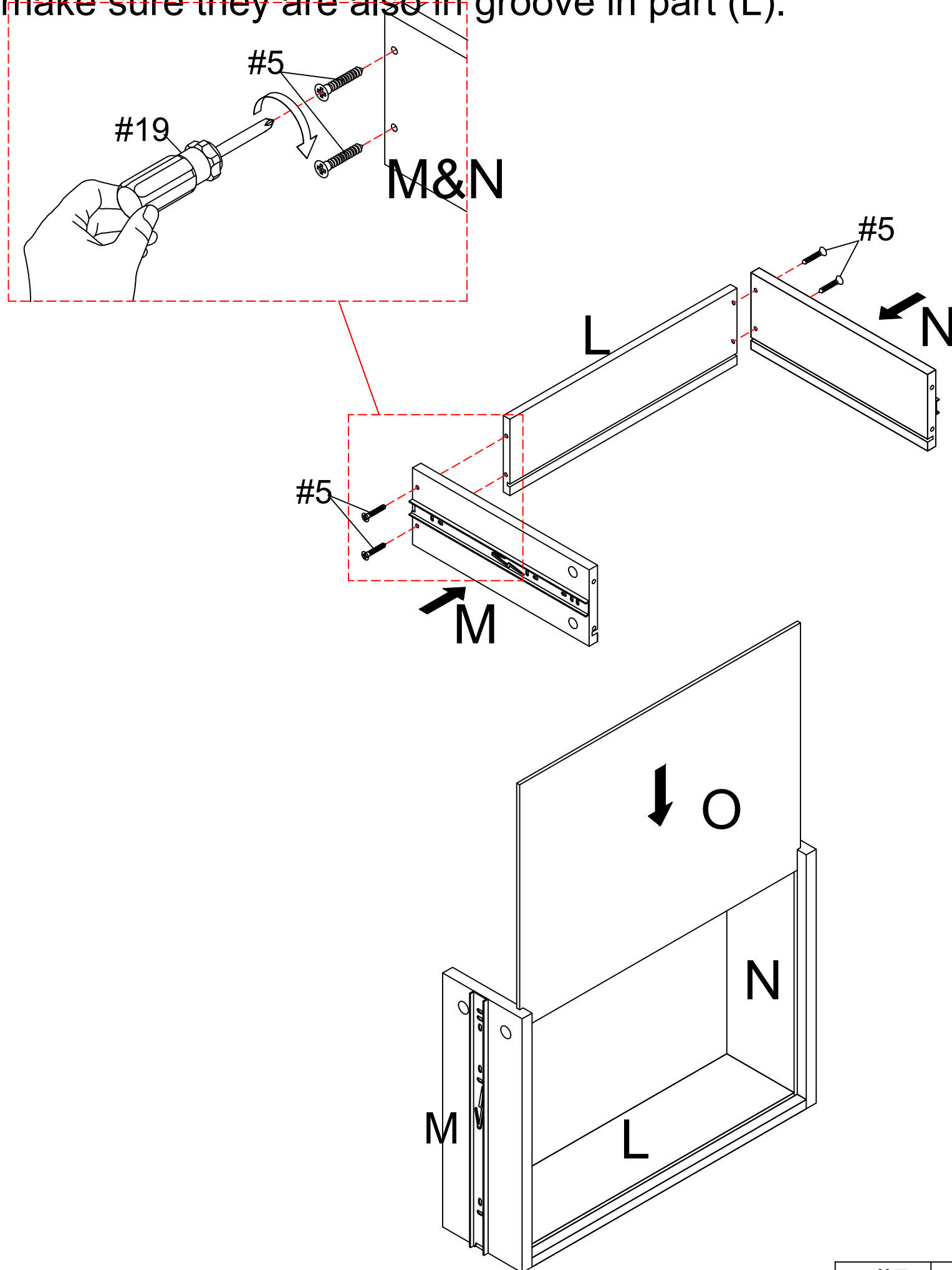
HARDWARE SPARE LIST

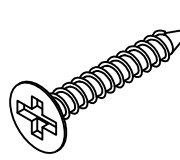
#9	x1
	
Ø6*40mm	

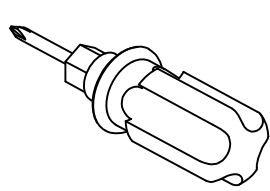
ASSEMBLY INSTRUCTIONS

STEP-1

1. Connect part (N&M) to part (L) using screw #5 and tighten it with screwdriver #19. Slide in the part (O) into the groove in part (N&M). make sure they are also in groove in part (L).



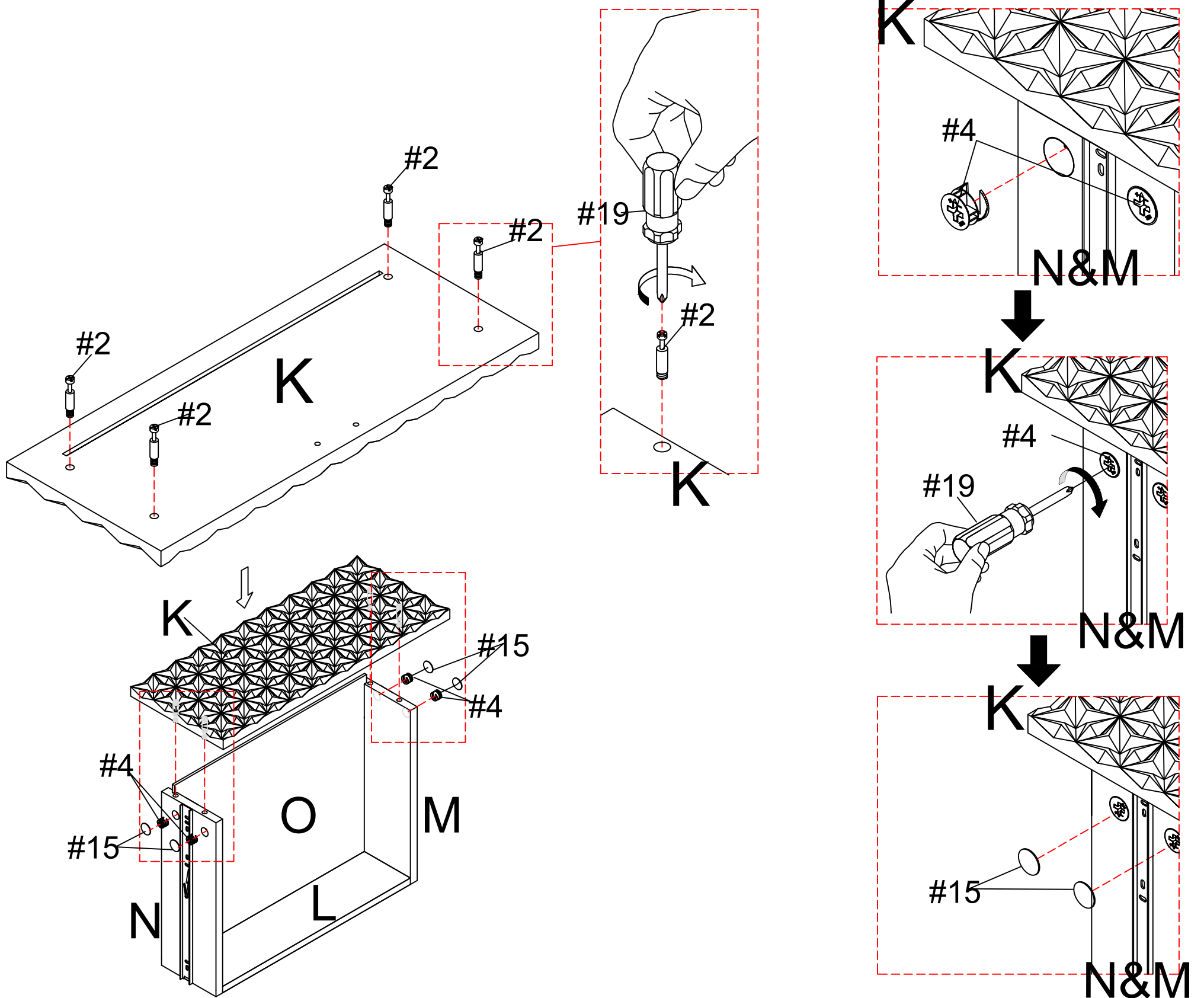
#5	x4
	
Ø4*35mm	

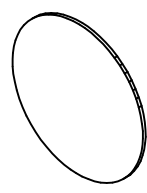
#19	x1
	


ASSEMBLY INSTRUCTIONS

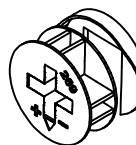
STEP-2

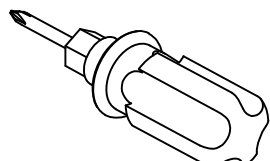
Align the holes in part K, tighten with screwdriver #19 tighten #2. Connect the part K with part N&M align the hole in the part M&N, insert the bolt #2 in part K into part M&N. insert cam bolt #4 into the corresponding hole of side panel M&N, and tighten the nuts #4 with a screwdriver #19. After installation, cover the screw holes with #15. Make sure the groove is in same side as picture show.



#15	x4
	
Ø20	

#2	x4
	
Ø6*35mm	

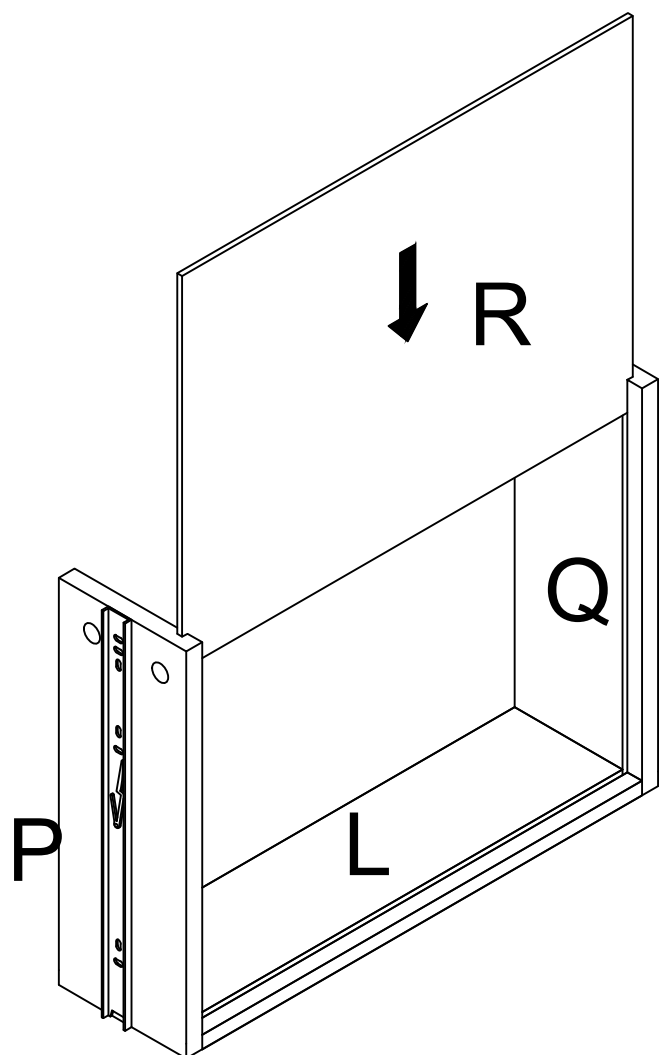
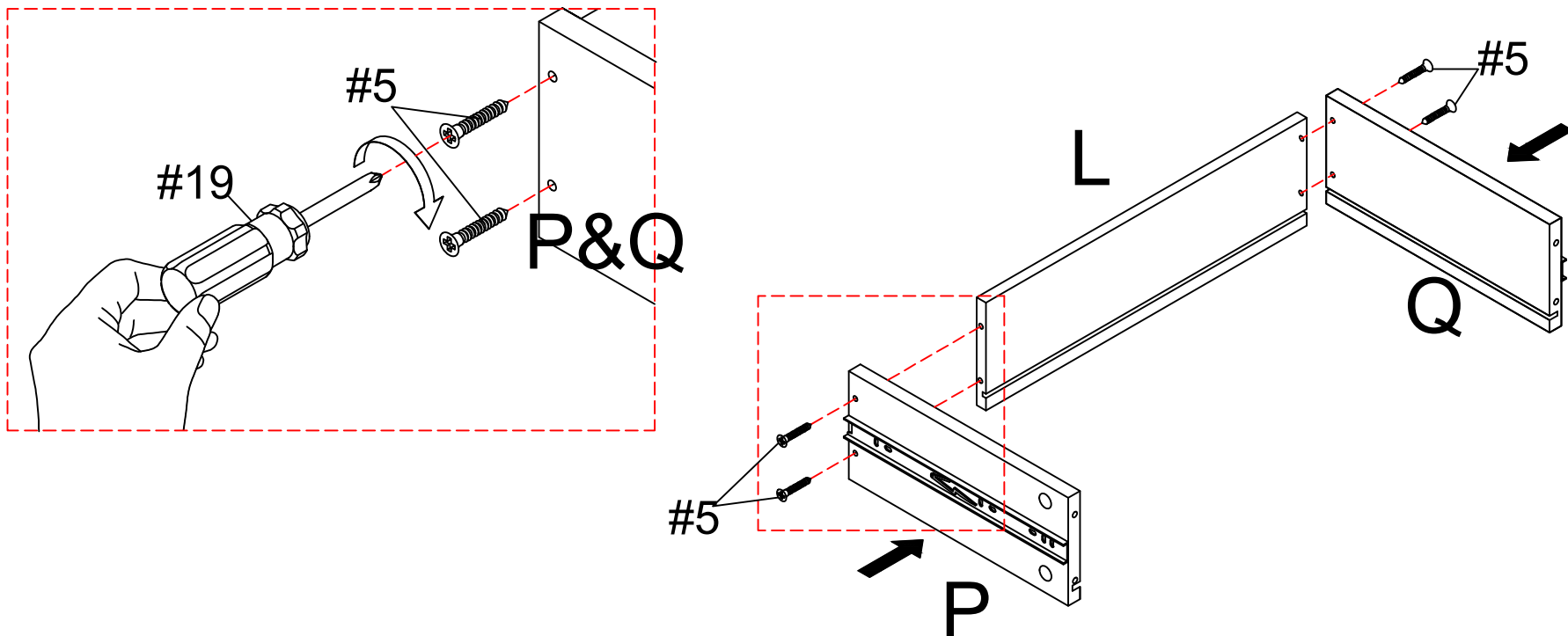
#4	x4
	
Ø15*11	

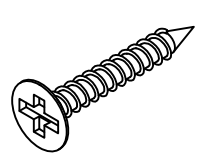
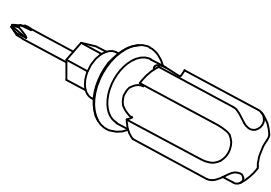
#19	x1
	

ASSEMBLY INSTRUCTIONS

STEP-3

1. Connect part (P&Q) to part (L) using screw #5 and tighten it with screwdriver #19. Slide in the part (R) into the groove in part (P&Q). make sure they are also in groove in part (L).

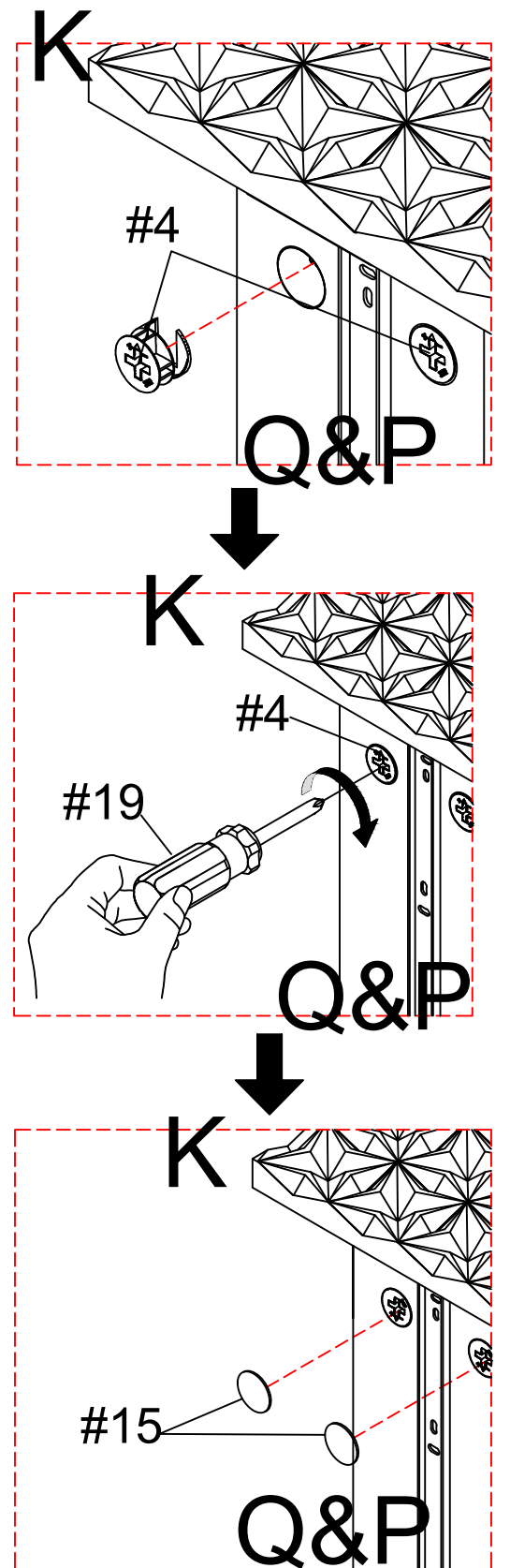
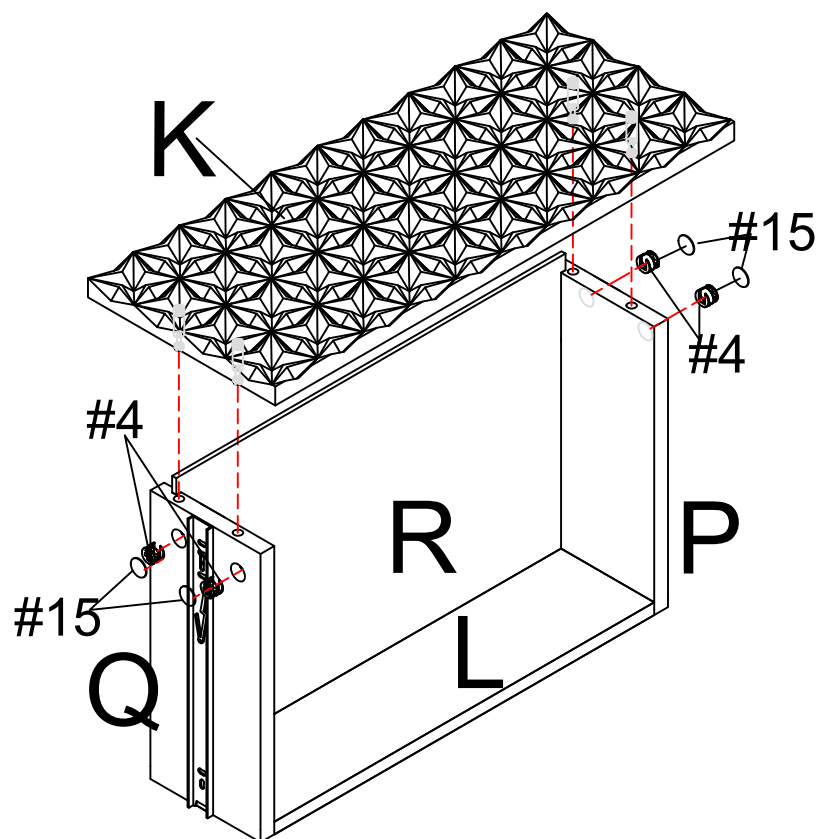
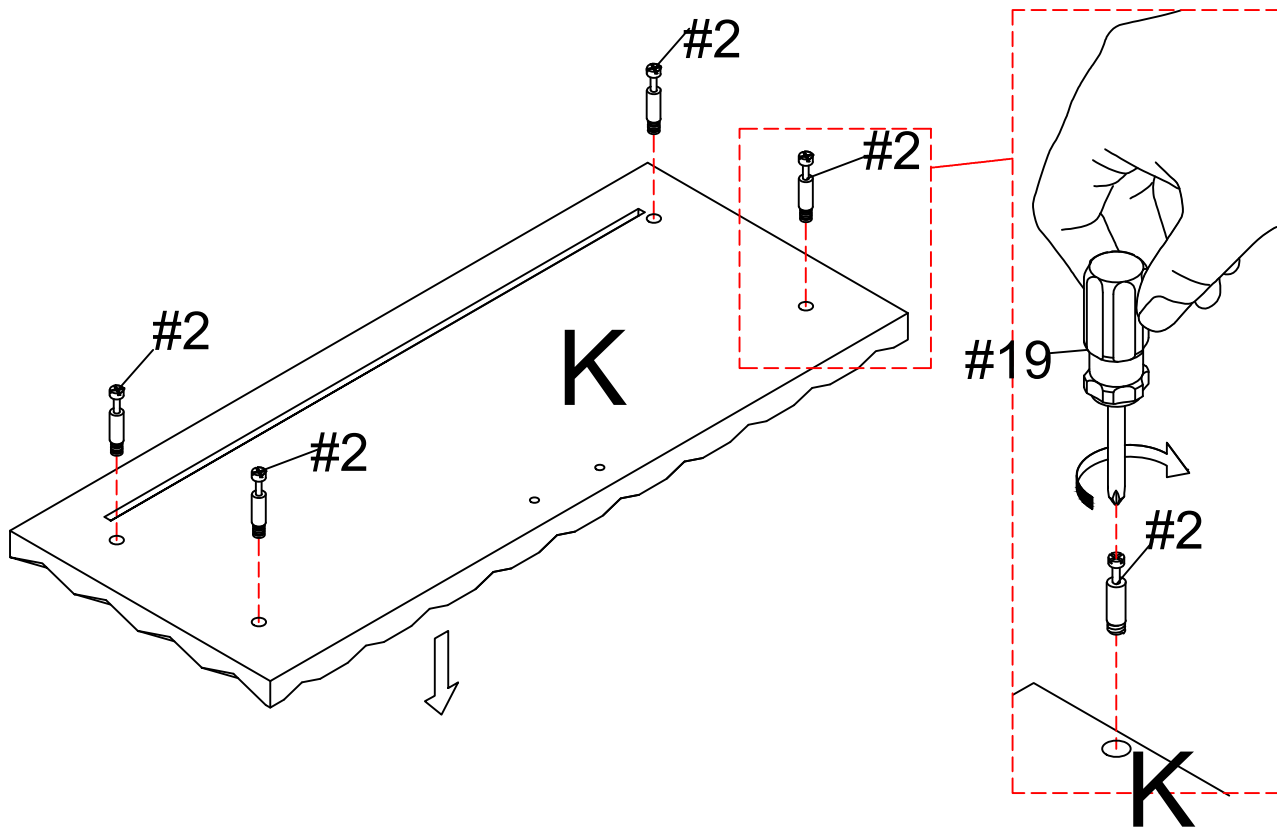


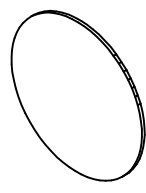
#5	x4	#19	x1
			
Ø4*35mm			


ASSEMBLY INSTRUCTIONS

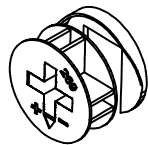
STEP-4

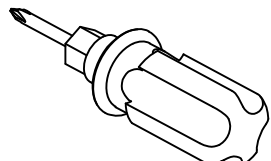
Align the holes in part K, tighten with screwdriver #19 tighten #2. Connect the part K with part P&Q align the hole in the part Q&P. ,insert the bolt #2 in part K into part P&Q . insert cam bolt #4 into the corresponding hole of side panel Q&P,and tighten the nuts #4 with a screwdriver #19. After installation, cover the screw holes with #15. Make sure the groove is in same side as picture show.



#15	x4
	
Ø20	

#2	x4
	
Ø6*35mm	

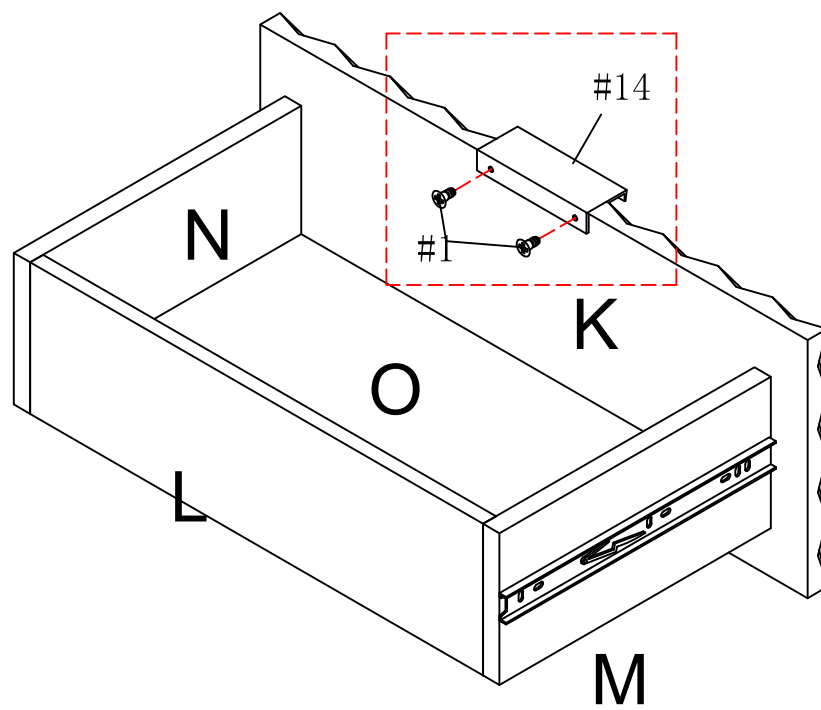
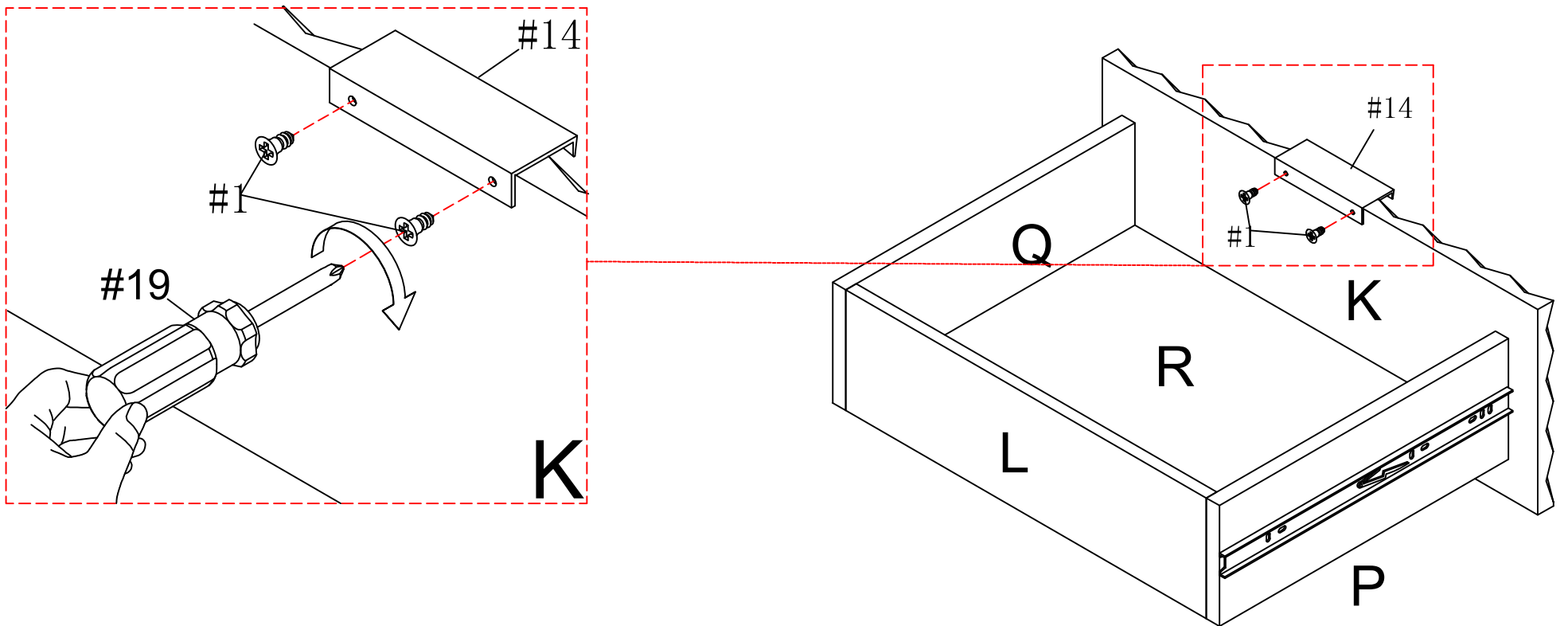
#4	x4
	
Ø15*11	


#19	x1
	

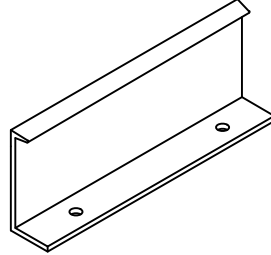
ASSEMBLY INSTRUCTIONS

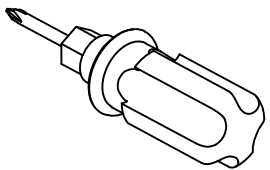
STEP-5

1. Use screw #1 to attach the handle #14 to panel K, tighten screws with screwdriver #19.



#1	x4
	
Ø3.5*14mm	

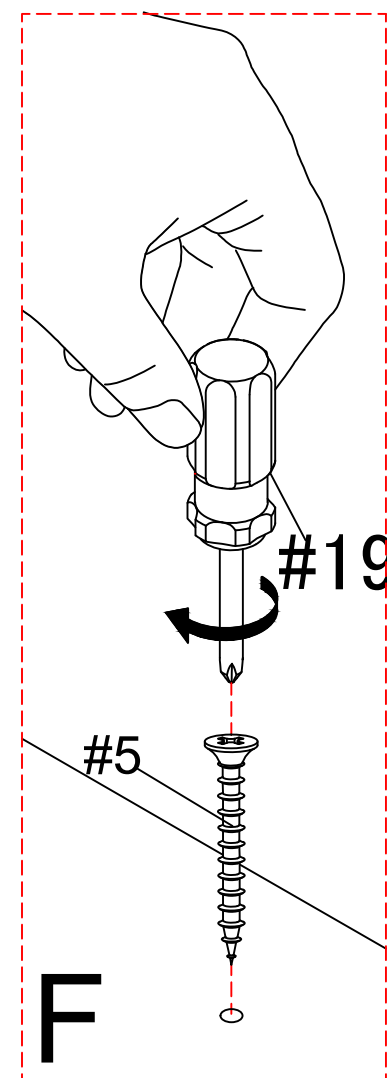
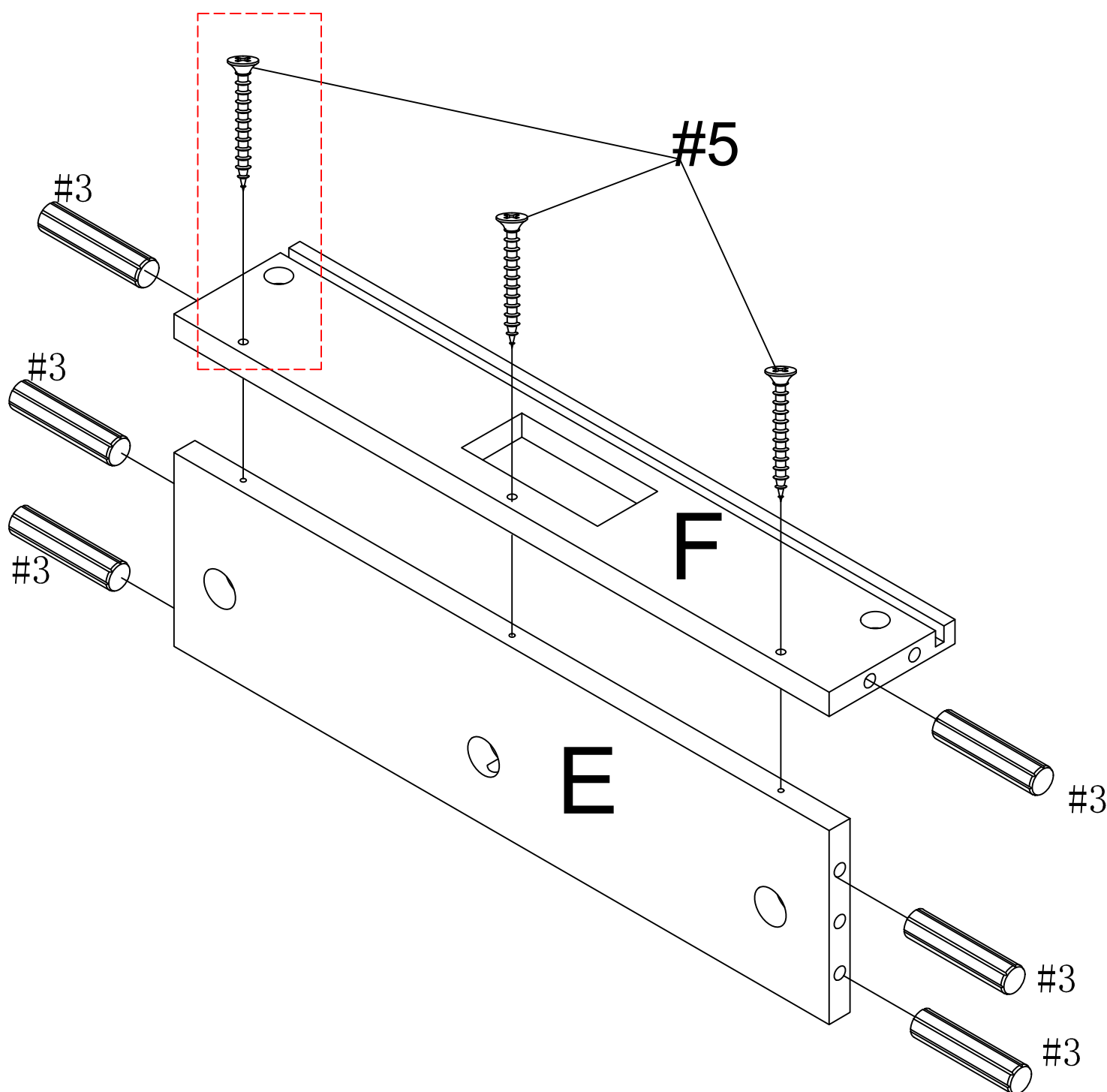
#14	x2
	

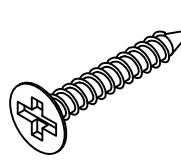
#19	x1
	


ASSEMBLY INSTRUCTIONS

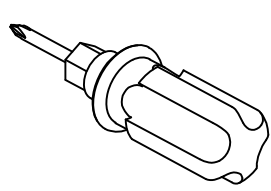
STEP-6

1. Connect part F to part E using screw #5 and tighten it with screwdriver #19. Align the holes in part E&F, insert wooden dowel #3 by hand.



#5	x3
	
Ø4*35mm	

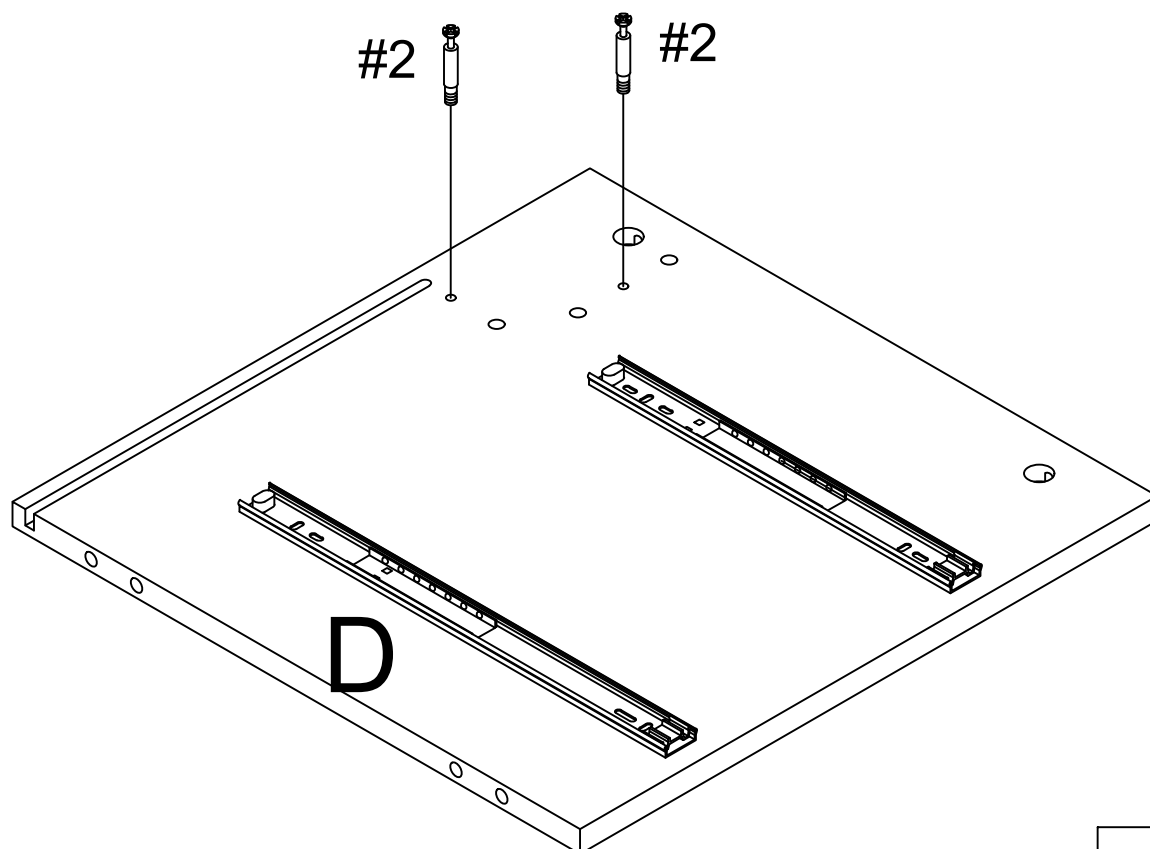
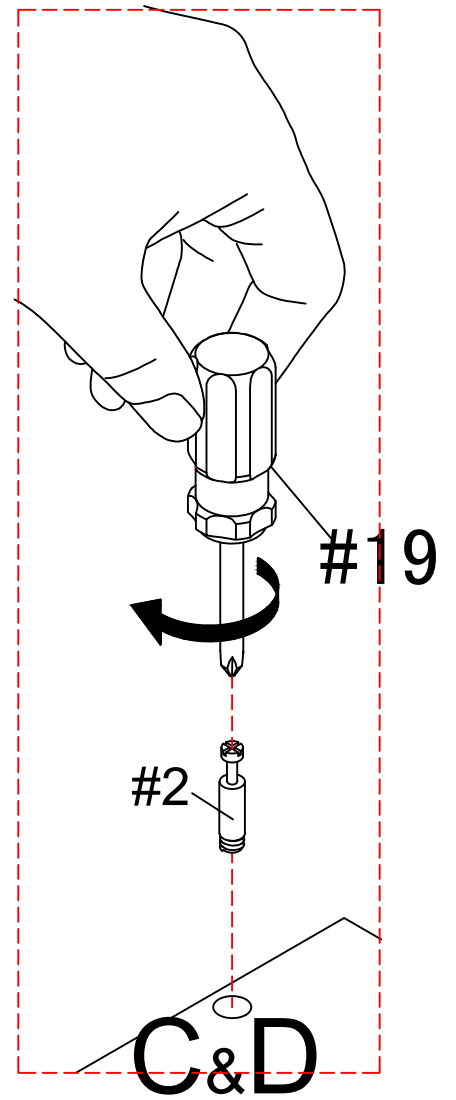
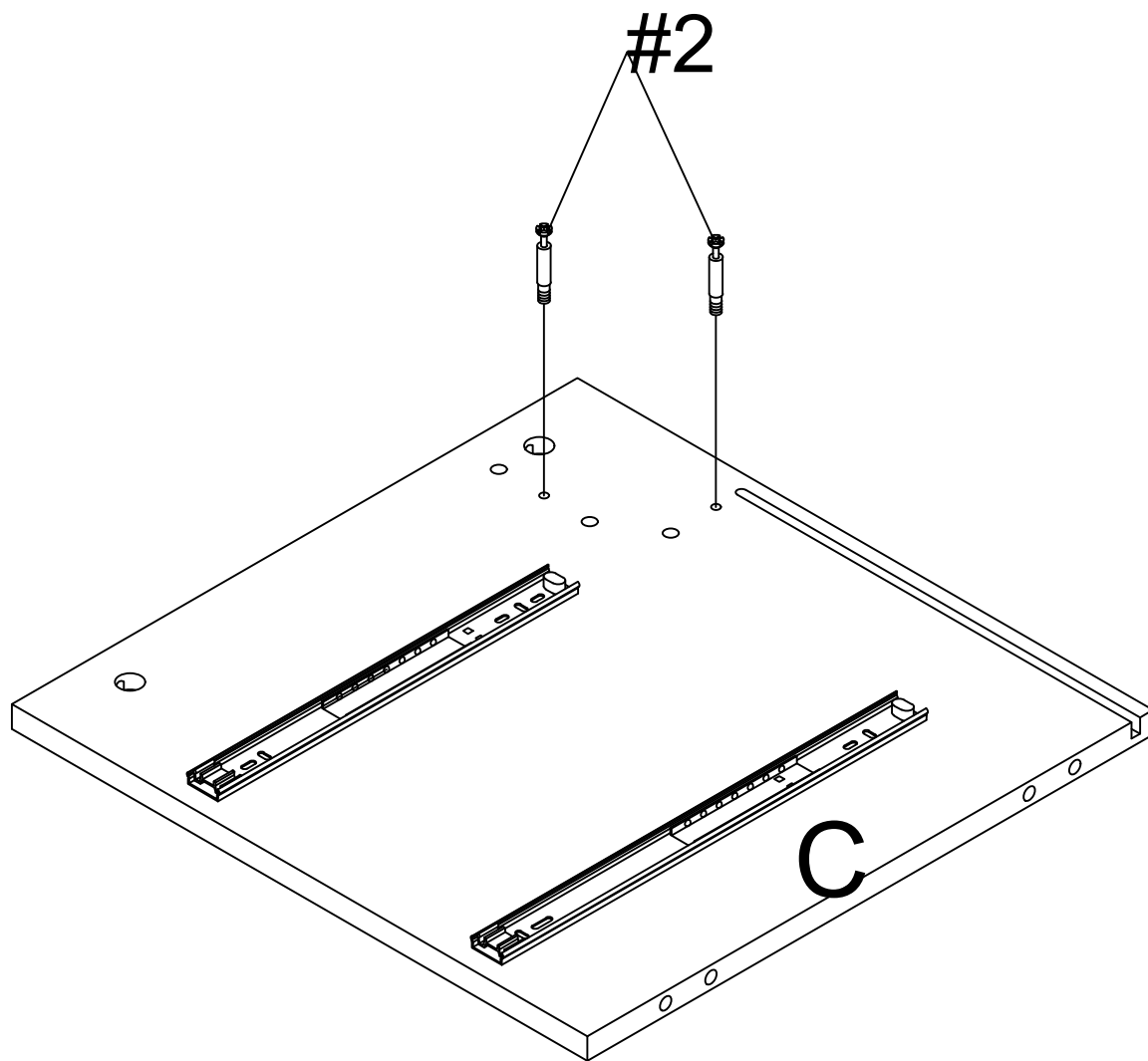
#3	x6
	
Ø8*30mm	


#19	x1
	

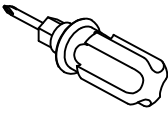
ASSEMBLY INSTRUCTIONS

STEP-7

Align the holes in part (C&D), tighten with screwdriver #19 tighten #2.



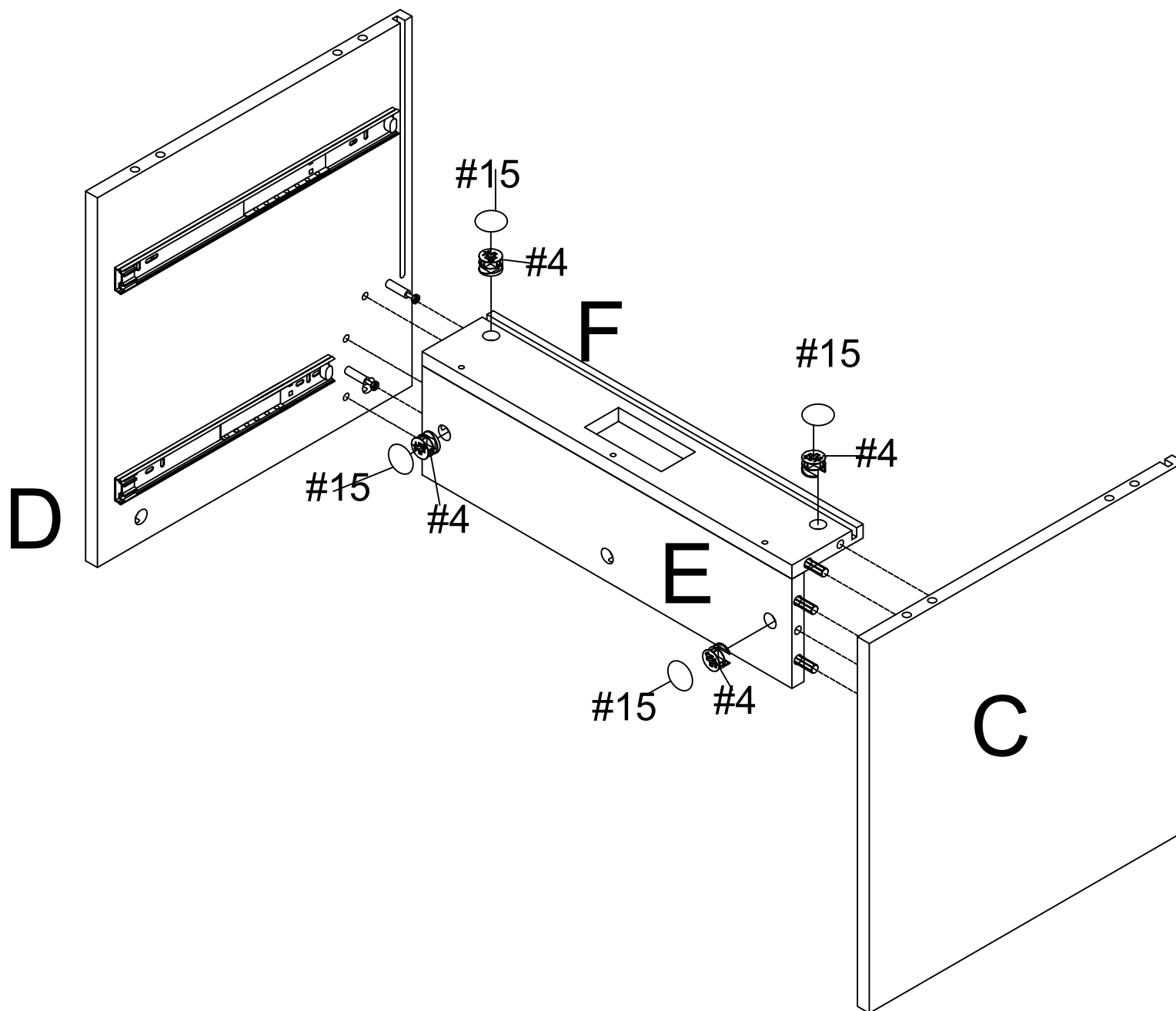
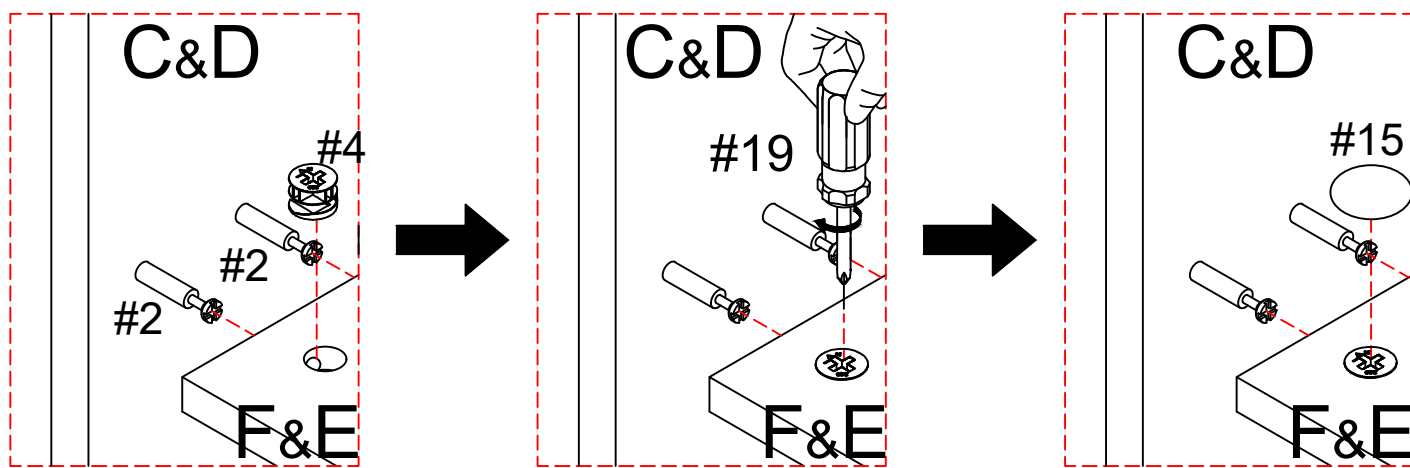
#2	x4
	
Ø6*35mm	

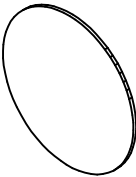

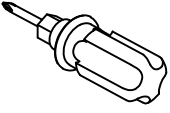
#19	x1
	

ASSEMBLY INSTRUCTIONS

STEP-8

Connect the part C&D with part E&F. align the hole in the part E&F. insert the bolt #2 in part C&D into part E&F . insert cam bolt #4 into the corresponding hole of part E&F, and tighten the nuts #4 with a screwdriver #19. After installation, cover the screw holes with #15. Make sure the groove is in same side as picture show.

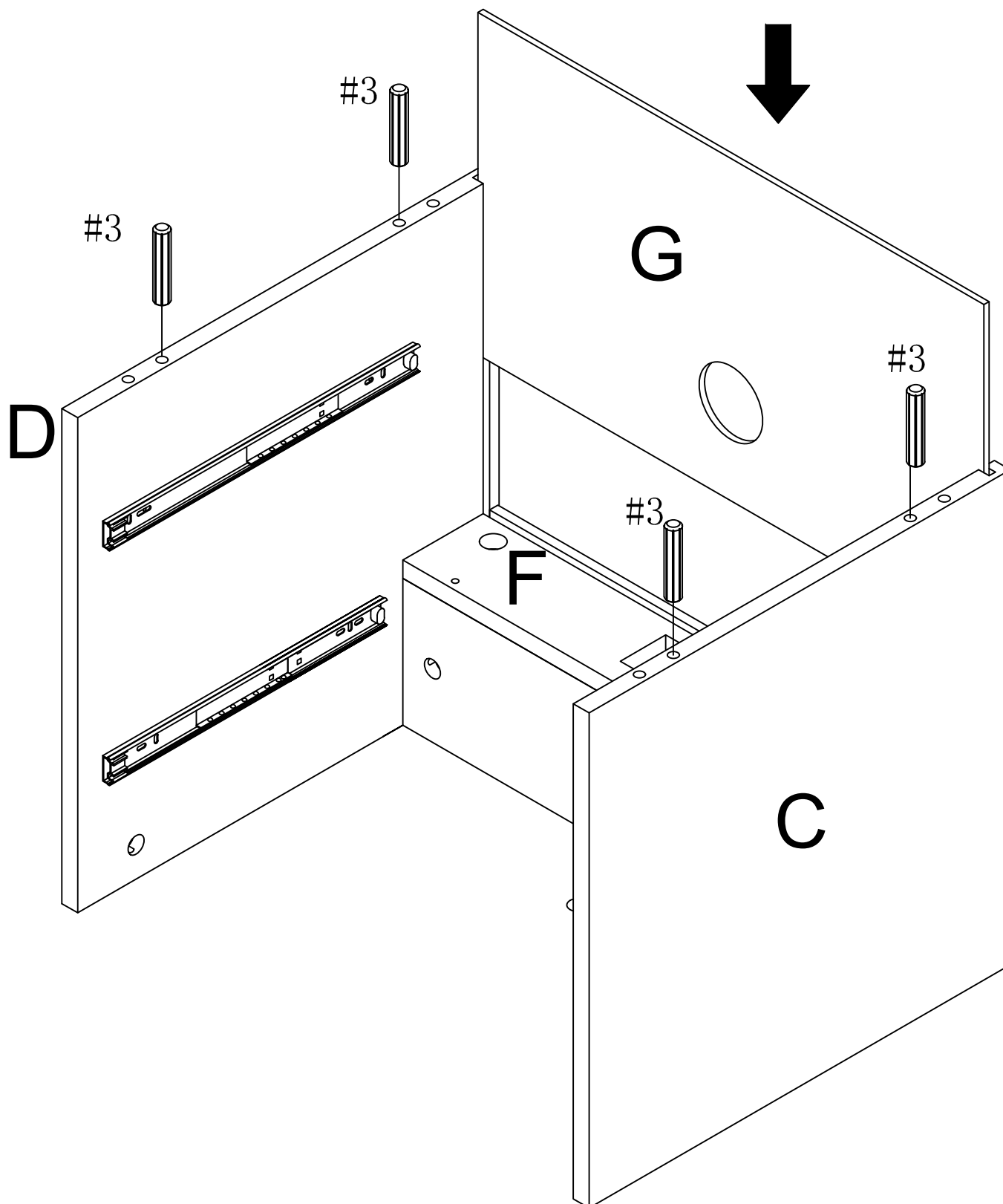



#15	x4	#4	x4	#19	x1
					
Ø20		Ø15*11			

ASSEMBLY INSTRUCTIONS

STEP-9

1. slide in the part G into the groove in part C&D ,make sure they are also in groove in part F. Align the holes in part C&D, insert wooden dowel #3 by hand.



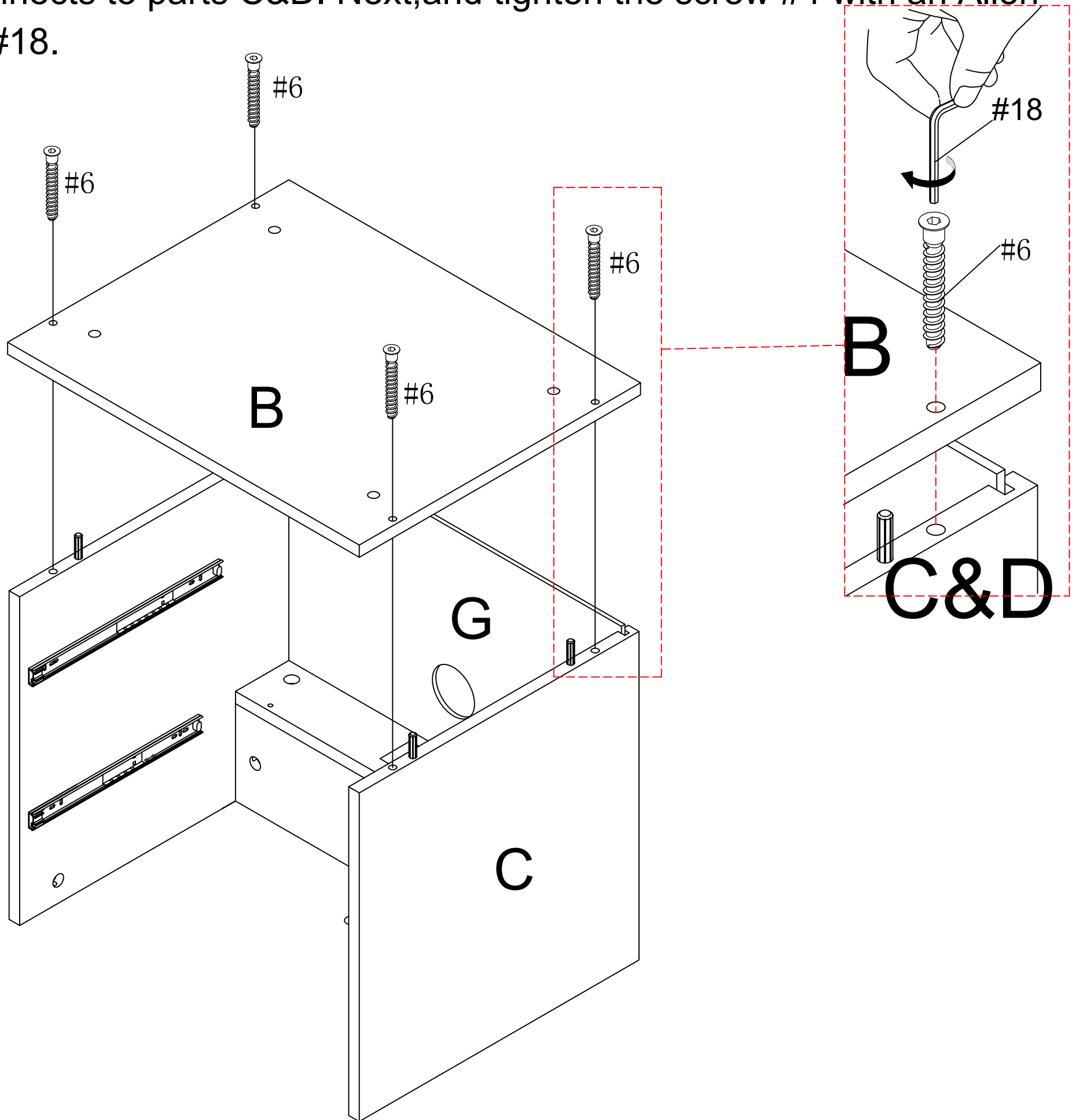
#3	x4
	
Ø8*30mm	

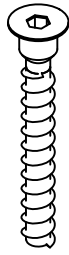
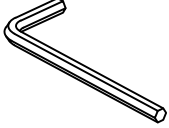
ASSEMBLY INSTRUCTIONS

STEP-10

Connect the part B the pre-assembled unit in step 9.

Then align the holes in part B, Insert screw #6 and push it down so that it connects to parts C&D. Next, and tighten the screw #4 with an Allen key #18.

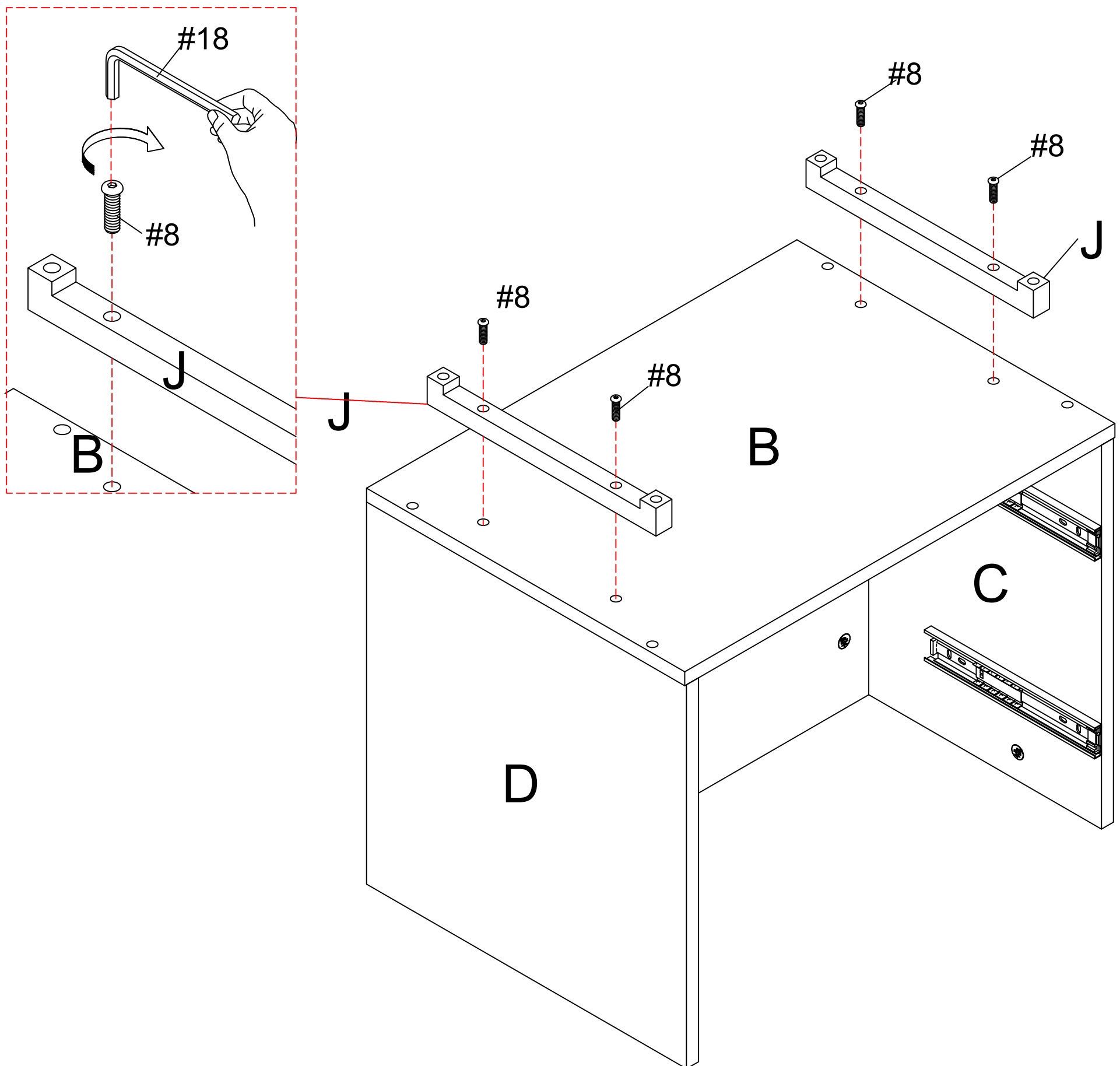


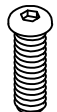
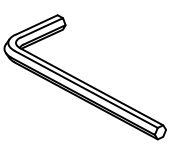
#6	x4	#18	x1
			
Ø7*50mm			

ASSEMBLY INSTRUCTIONS

STEP-11

1. Use screw #8 to attach the part J to panel B, tighten screws with Allen key #18.

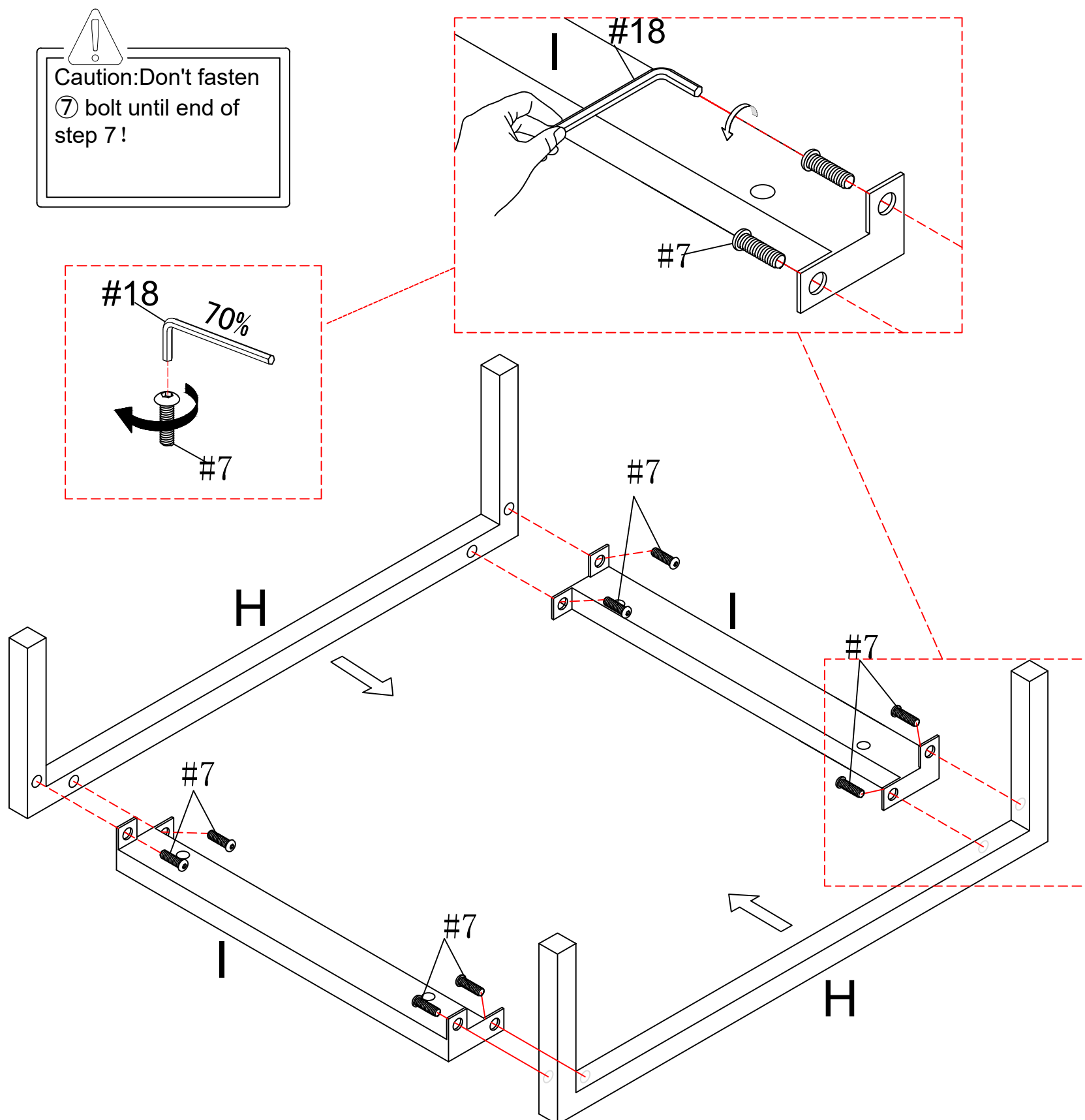



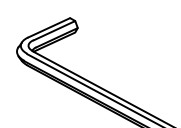
#8	x4	#18	x1
			
Ø6*30mm			

ASSEMBLY INSTRUCTIONS

STEP-12

Prepare the leg racks. Align the holes of the H part with the holes of the I part, install the screw #7, and tighten the screw #7 with the allen key #18.

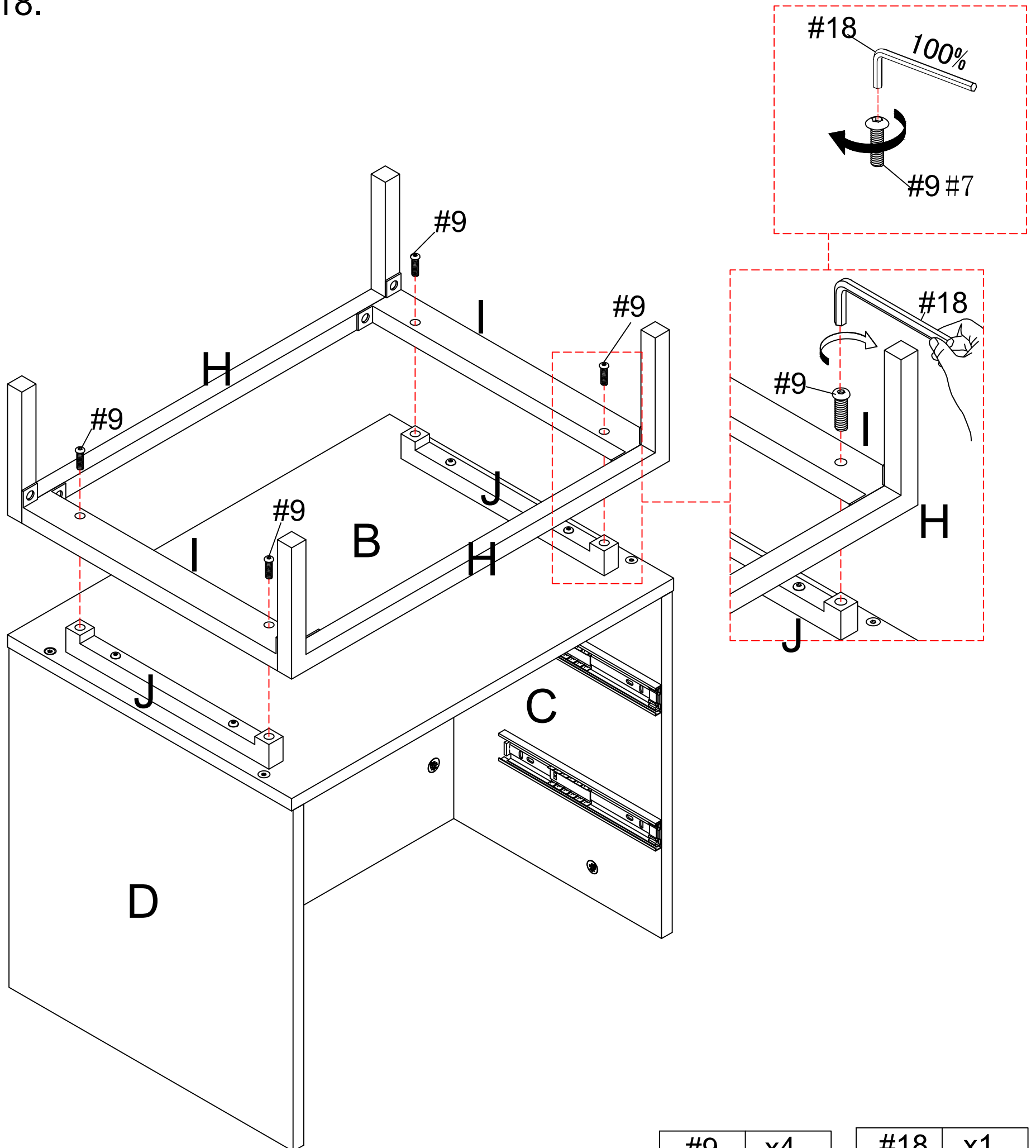


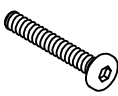
#7	x8	#18	x1
			
Ø8mm*12			

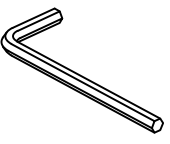
ASSEMBLY INSTRUCTIONS

STEP-13

connect the leg frame to the cabinet. Attach the leg frame to the pre-assembled unit in step 11 with a screw #9 and tighten with a allen key #18.



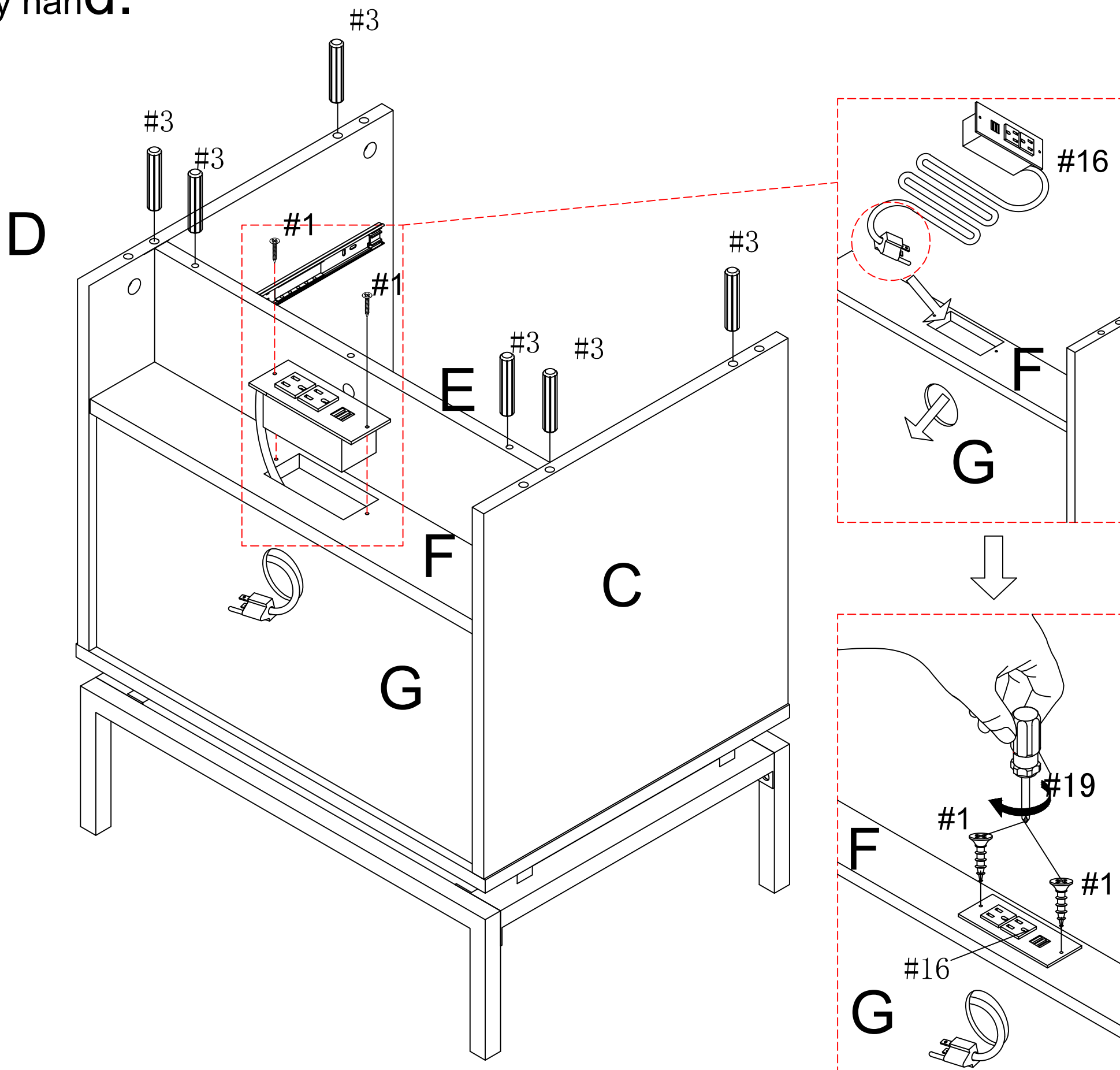
#9	x4
	
Ø6*40mm	

#18	x1
	

ASSEMBLY INSTRUCTIONS

STEP-14

1.insert part #16 into the preassembled step 13,make sure all holes aligned and use screw #1 to attach them , tighten screw #1 with screwdriver#19.Align the holes in part C&D&E, insert wooden dowel #3 by hand.



#16	x1

#3	x6
Ø8*30mm	

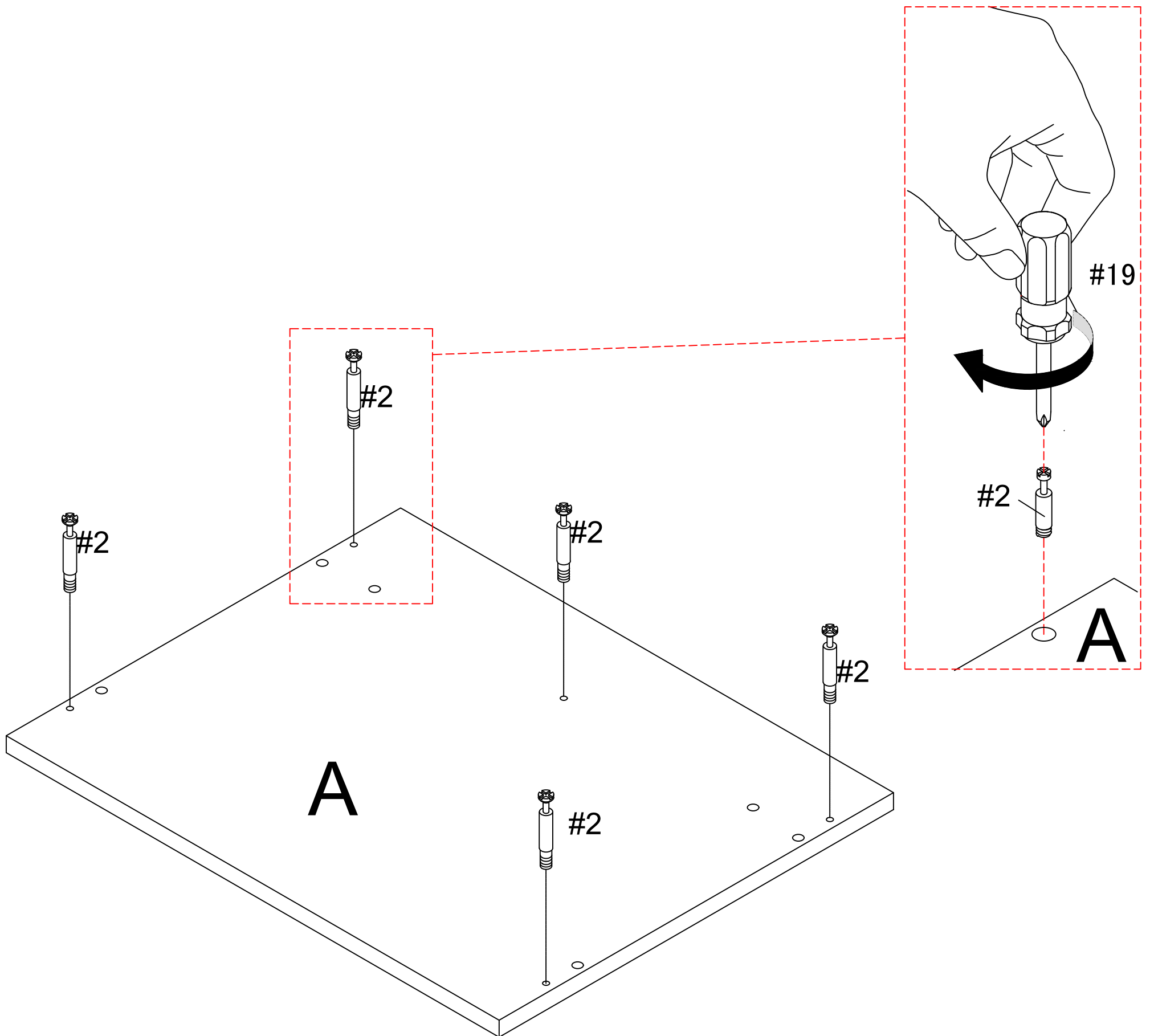
#1	x2
Ø3.5*14mm	

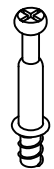
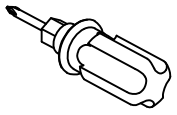
#19	x1

ASSEMBLY INSTRUCTIONS

STEP-15

Align the holes in part A, tighten with screwdriver #19 tighten #2.

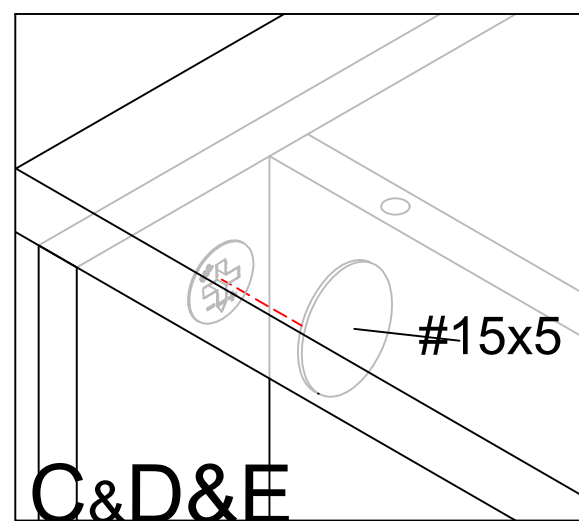
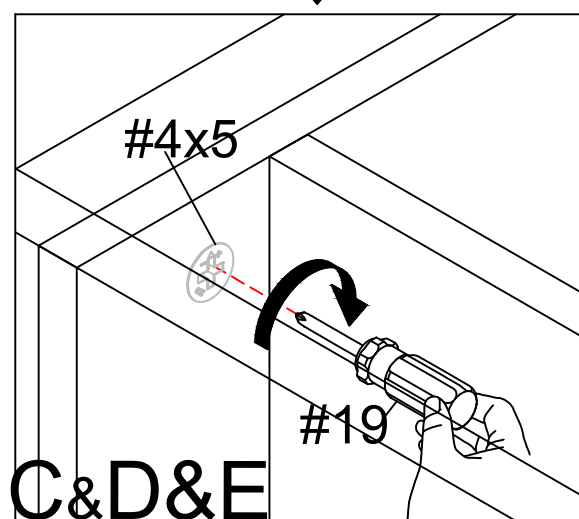
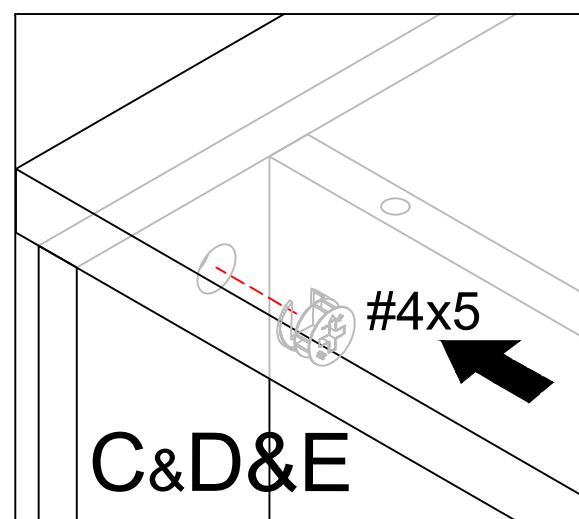
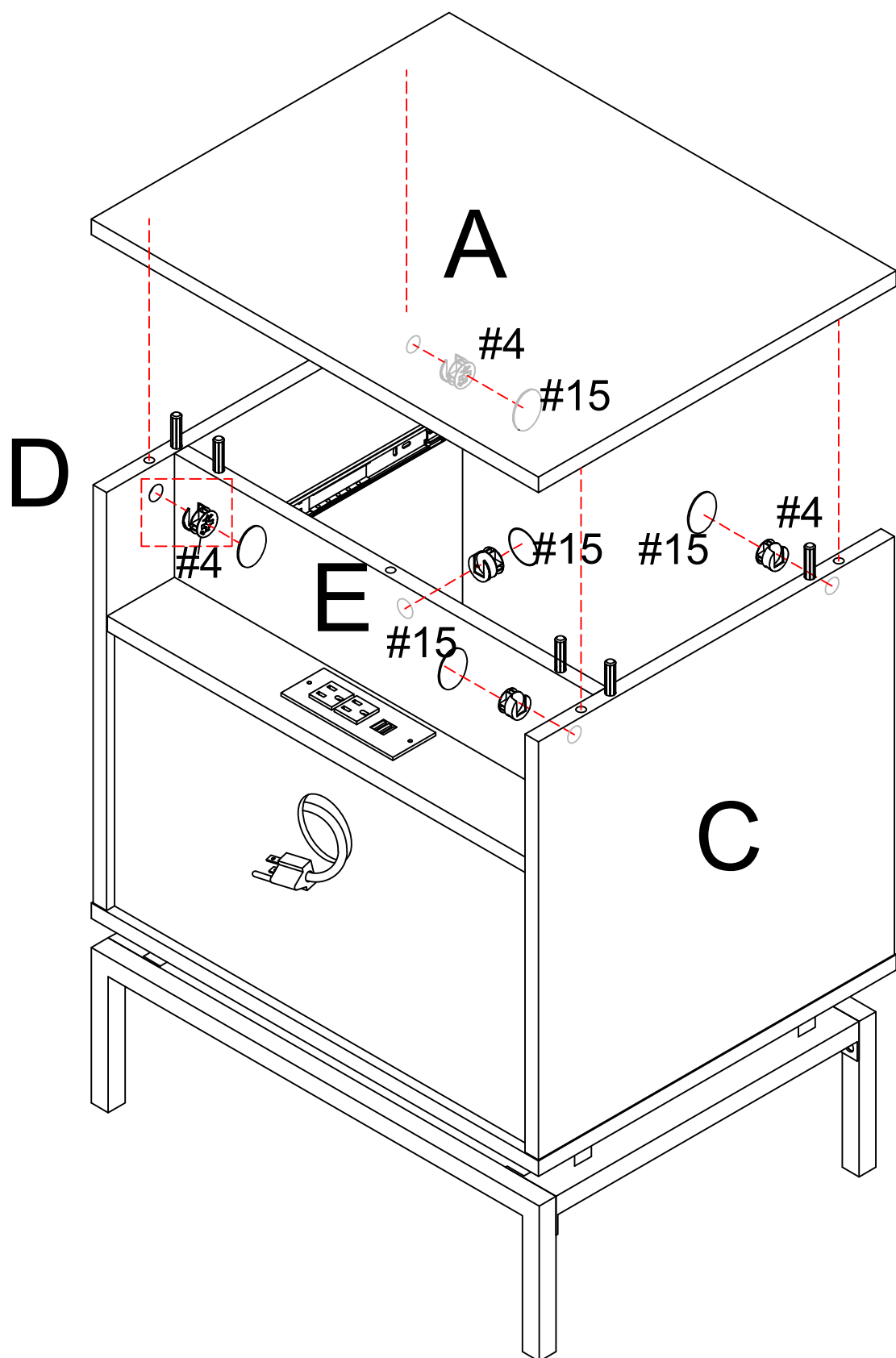


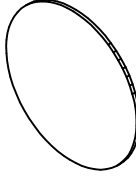
#2	x5	#19	x1
			
Ø6*35mm			

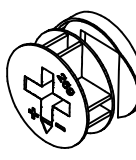
ASSEMBLY INSTRUCTIONS

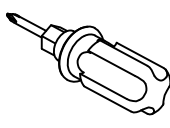
STEP-16

Connect the part C&D&E with part A. align the hole in the part C&E&D. insert the bolt #2 in part A into part C&D&E . insert cam bolt #4 into the corresponding hole of part E&D&C, and tighten the nuts #4 with a screwdriver #19. After installation, cover the screw holes with #15. Make sure the groove is in same side as picture show.



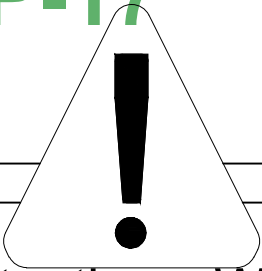
#15	x5
	
Ø20	

#4	x5
	
Ø15*11	

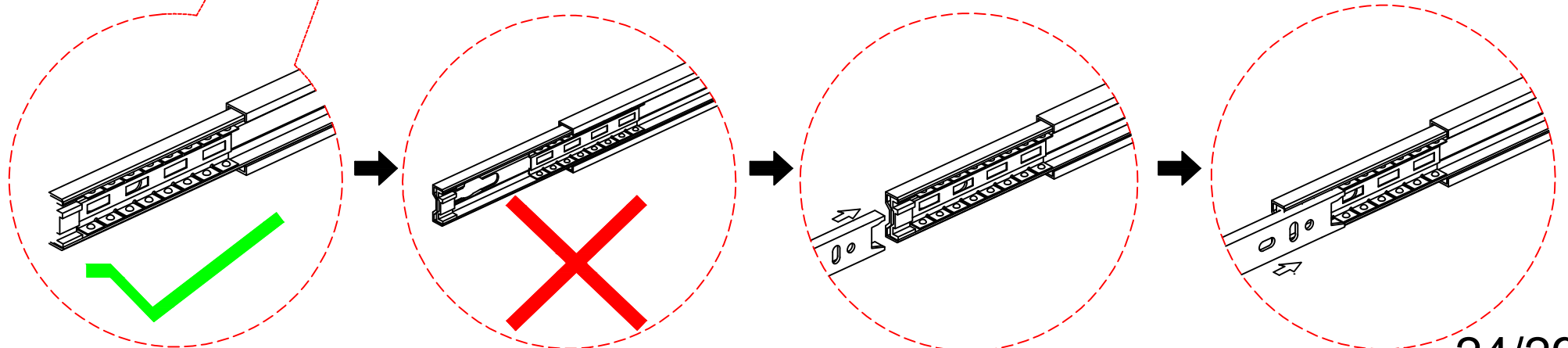
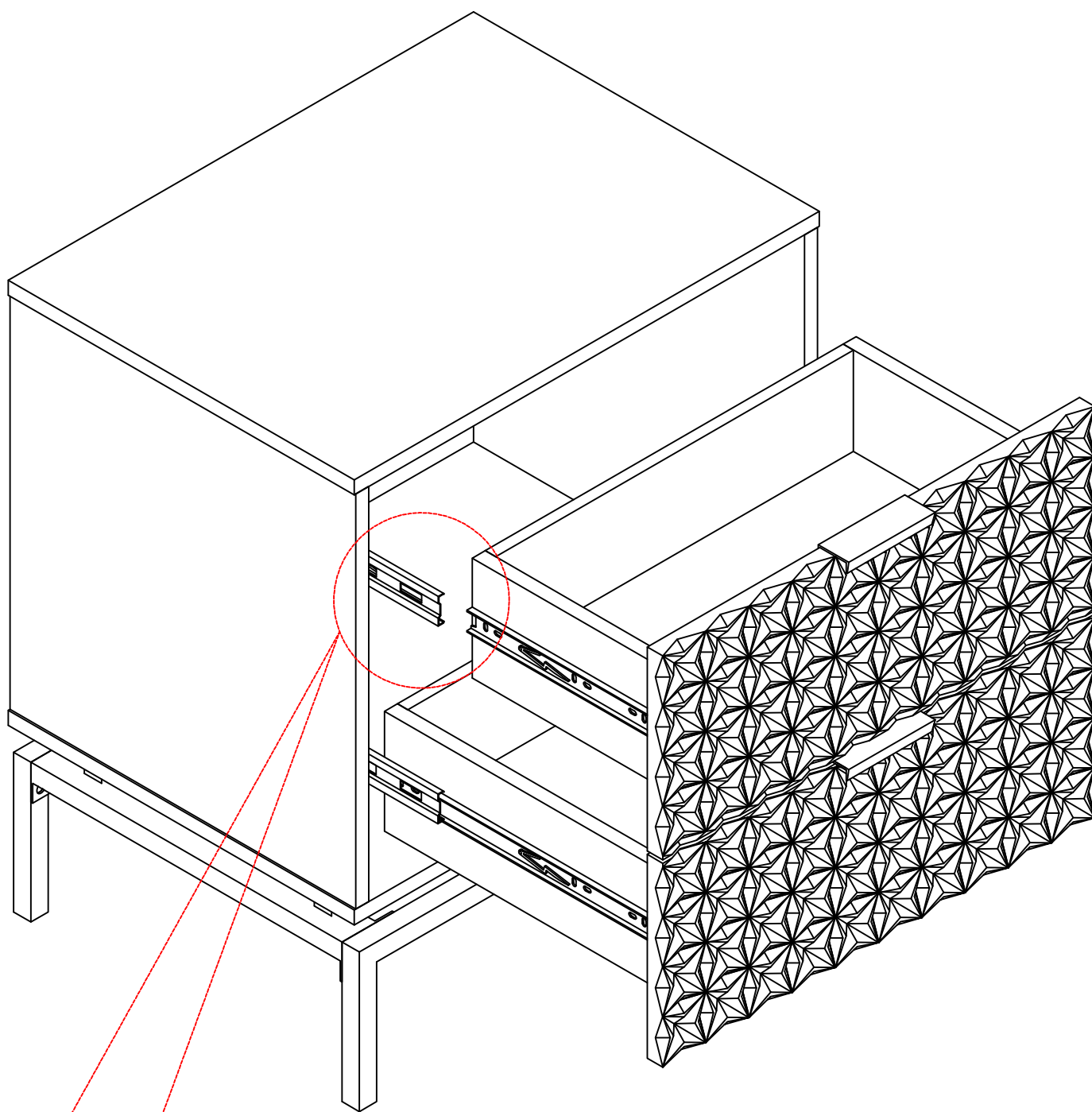
#19	x1
	

ASSEMBLY INSTRUCTIONS

STEP-17



Attention: When installing the drawer, slide the steel ball slide rail of side panel to the most front as picture show.

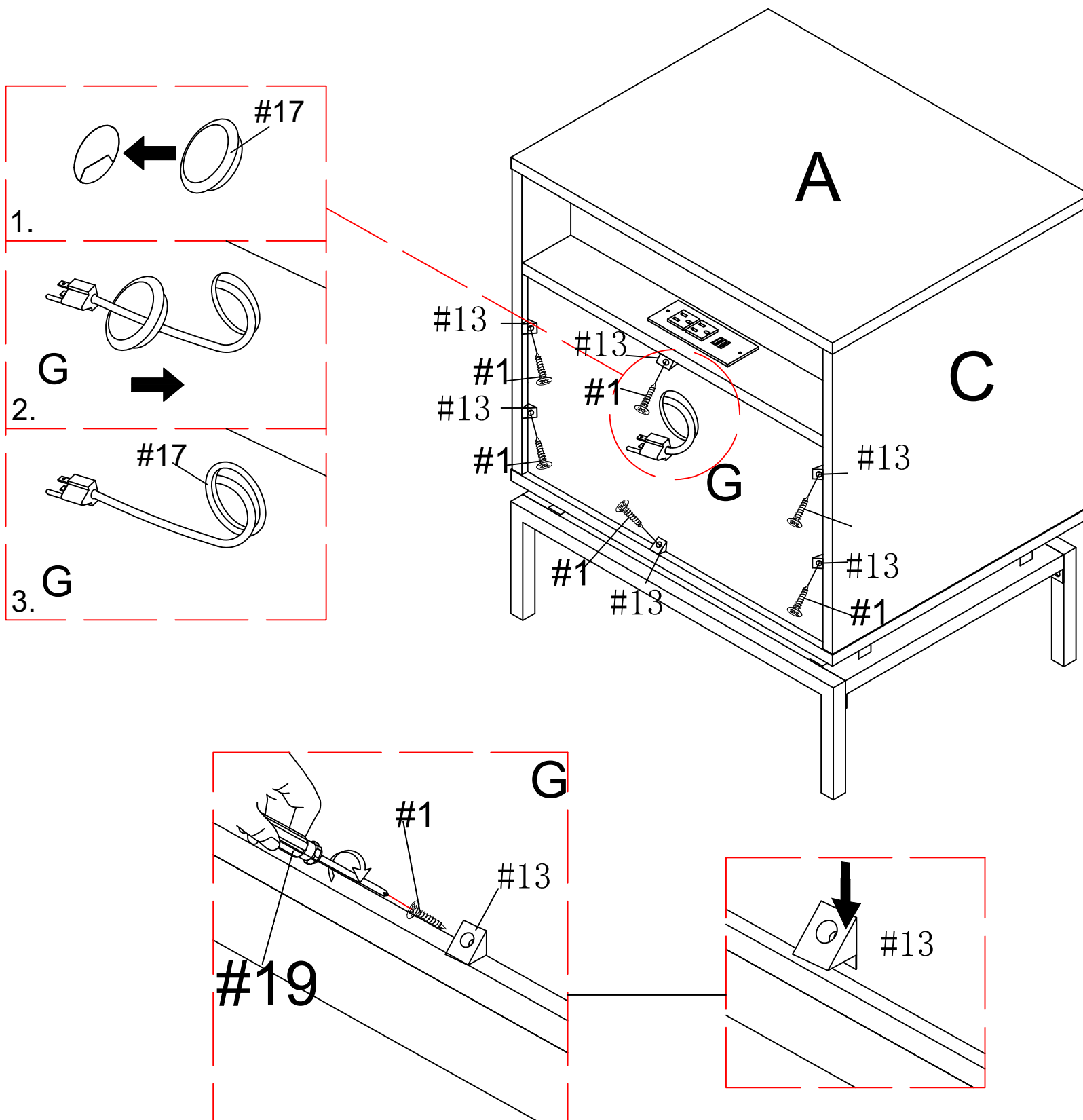


ASSEMBLY INSTRUCTIONS

STEP-18

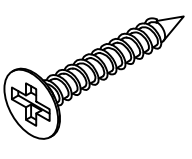
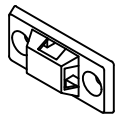
Insert hardware #6 into part G as shown, screw in screw #1 using screwdriver #19 and tighten fully.

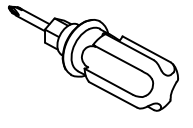
Install the plastic cover on the back panel G.



#17	x1	#13	x6	#1	x6	#19	x1
				Ø3.5*14mm			

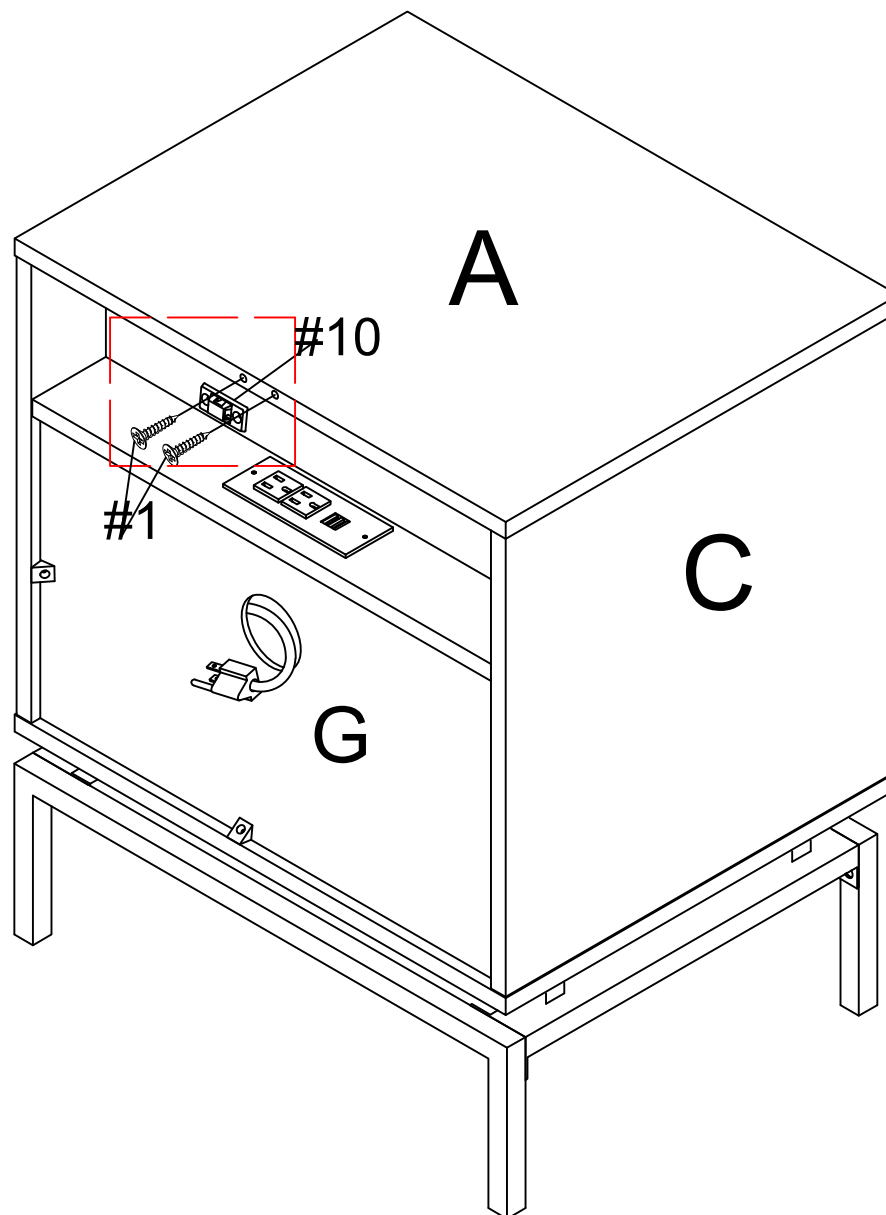
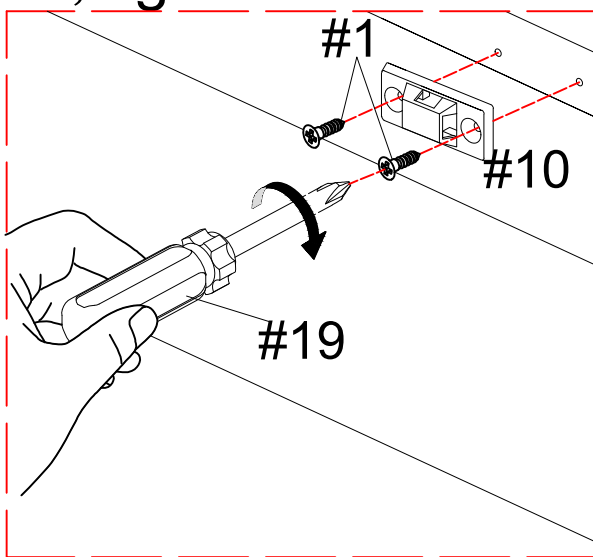
ASSEMBLY INSTRUCTIONS

#1	x2	#10	x1
			
Ø3.5*14mm			

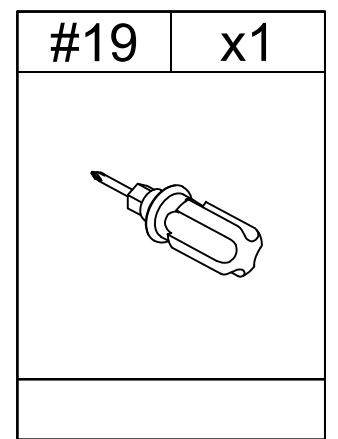
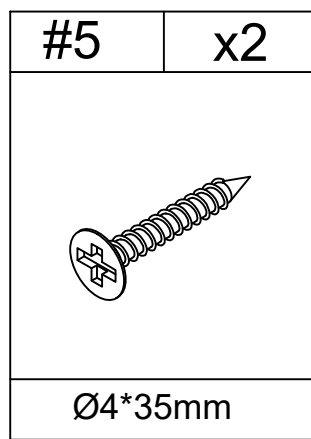
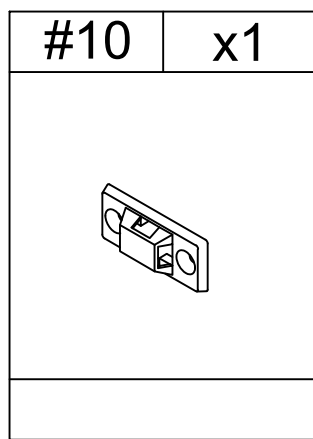
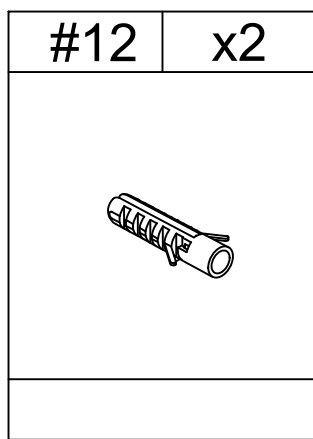
#19	x1
	

STEP-19

1. Use screw #1 to attach part #10 to preassemble unit at step 18, tighten screws with screwdriver #19.



ASSEMBLY INSTRUCTIONS

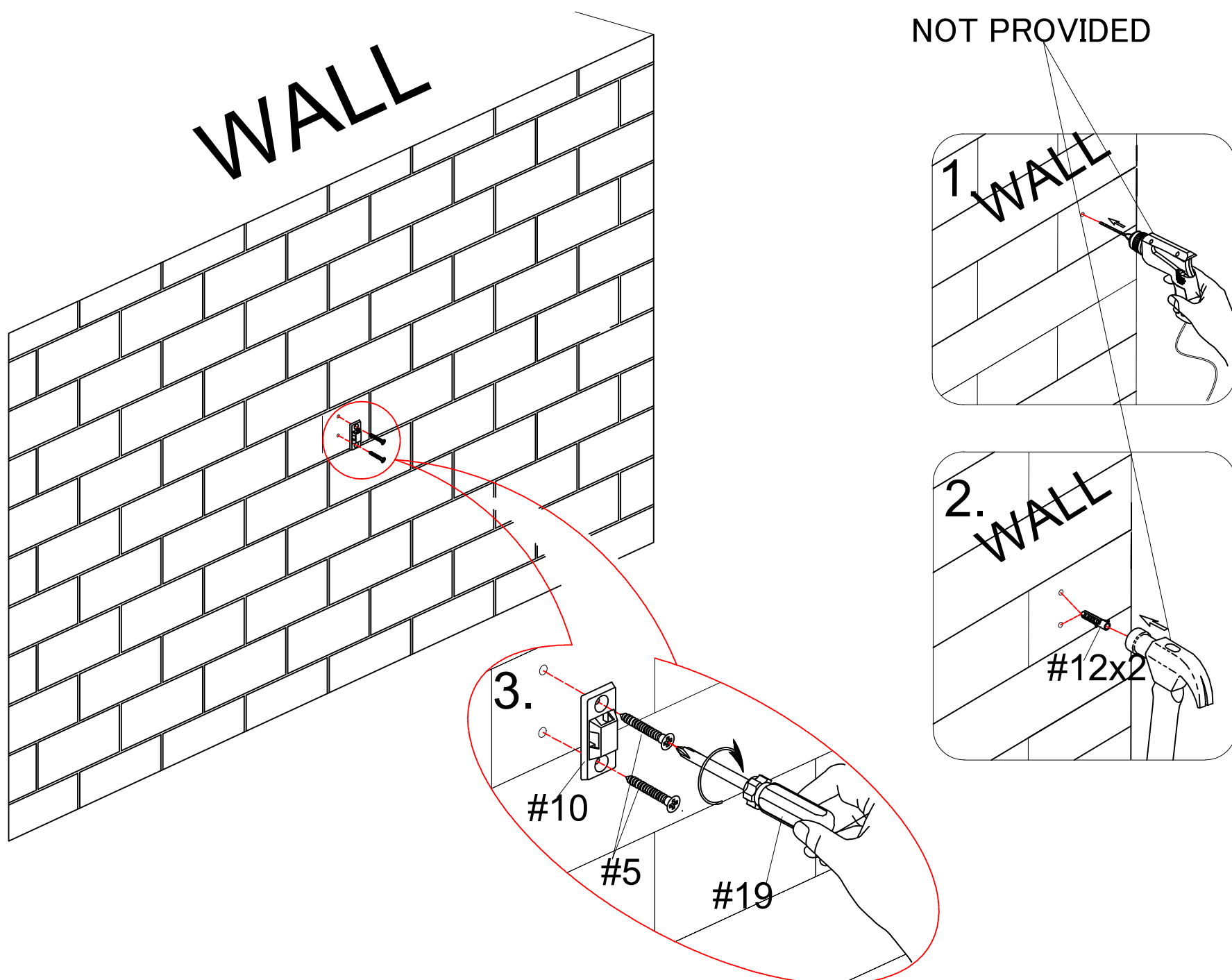


STEP-20

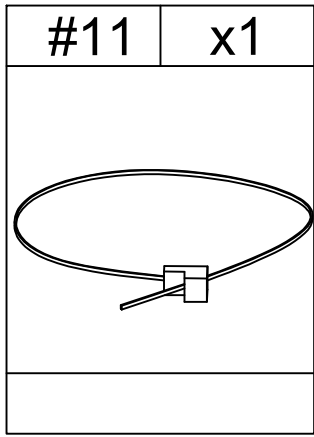
1. Install the anti-collapse device.

2. Mark the position on the wall, that corresponds to the location of part #10 on the of panel (A); Drill and insert the expandable screw #12 by hammer.

3. Assemble the part #10 to the wall. Align the hole in the part #10 with the expandable screw #12, use screw #5 to attach it and tighten by screwdriver #19.

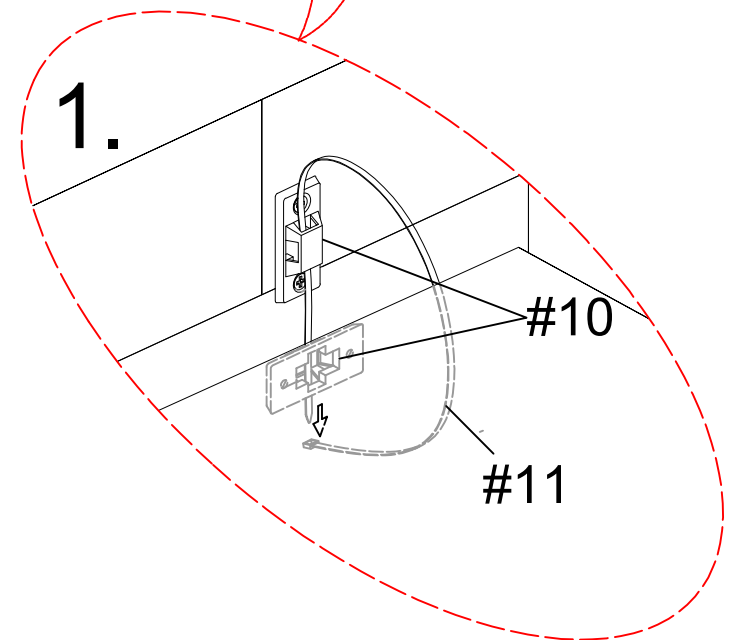
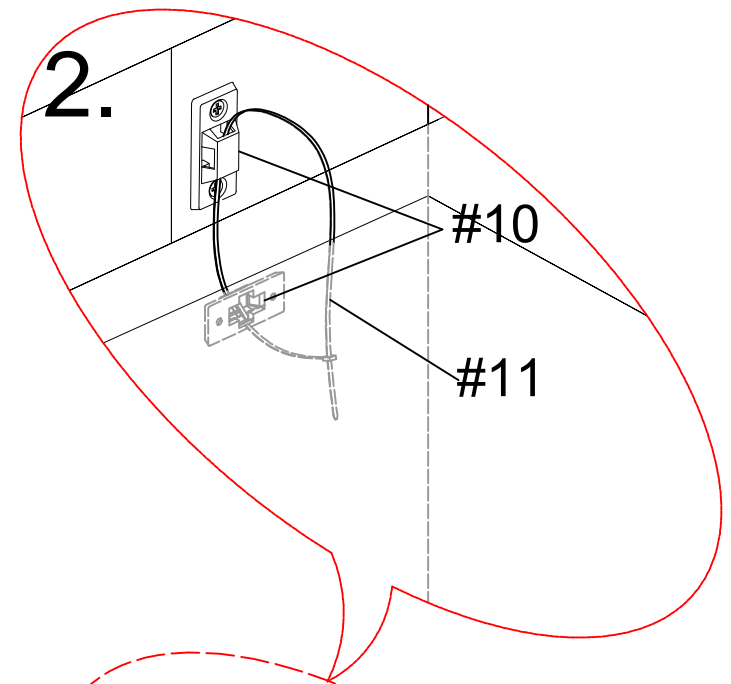
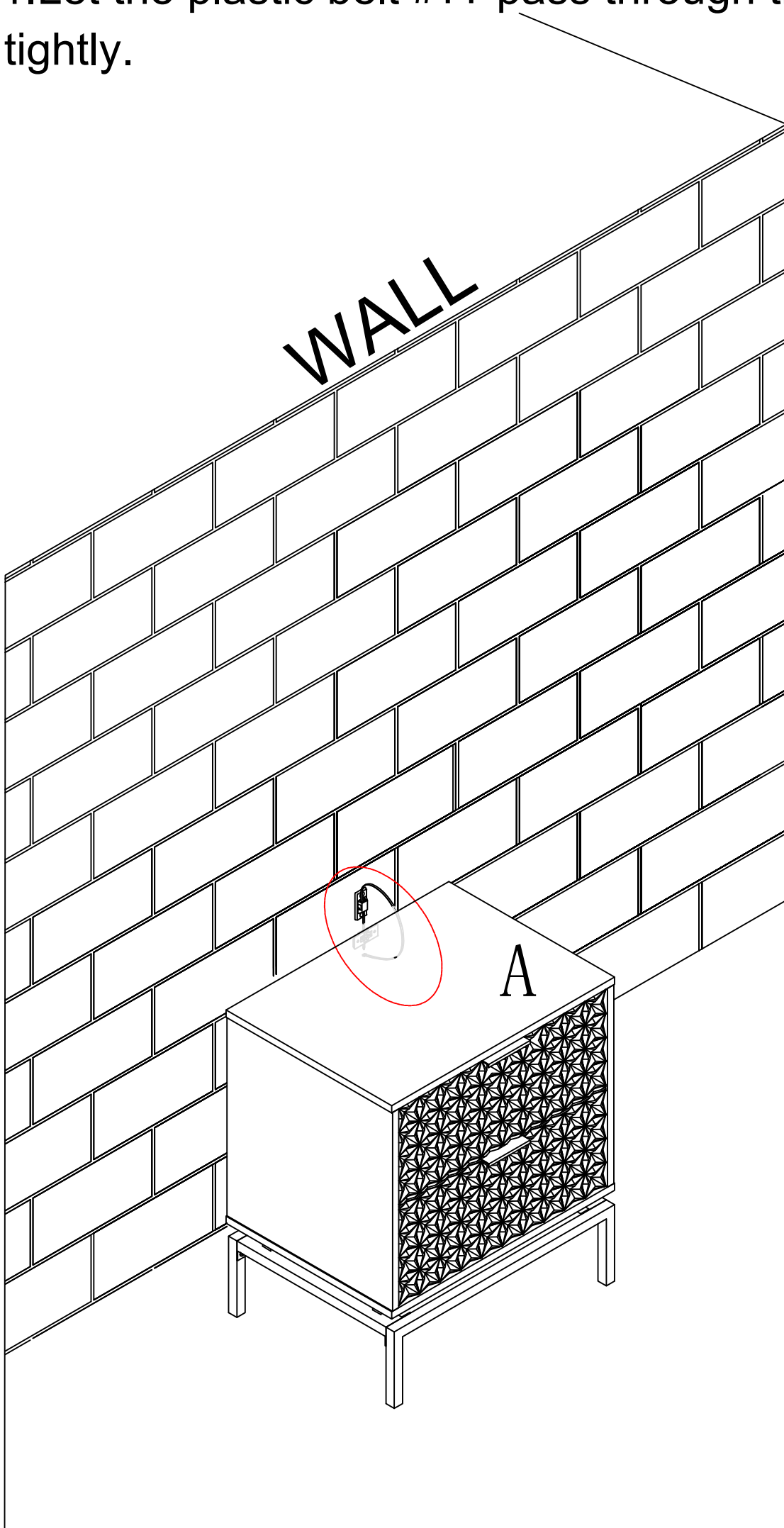


ASSEMBLY INSTRUCTIONS



STEP-21

1. Let the plastic belt #11 pass through the both part #10 and pull tightly.



WARRANTY

1. We strive to offer high-quality products, and we also try our best to satisfy each and every customer that orders from us with product or service as needed.
2. We provide 30 days warranty starting from the time you receive the item. Each customer must provide a record of their order such as the order number, or item receipt for any items that are out of the warranty period you may also still receive.
3. Replacement parts by purchasing them with our company if they are available.

Appreciate your purchasing from us.
Pop up your life by our furniture piece!