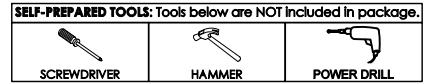


ASSEMBLY INSTRUCTIONS MARTHA-CT 0800 COFFEE TABLE

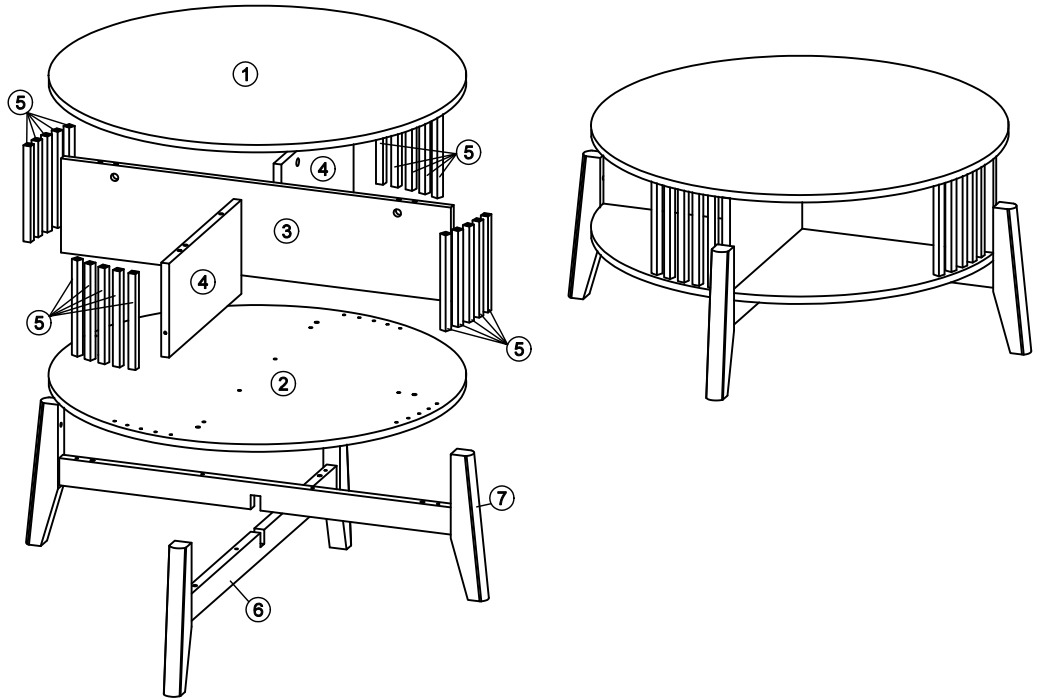
Before you begin, please follow assembly instructions carefully, then follow them step by step.

Reminder:

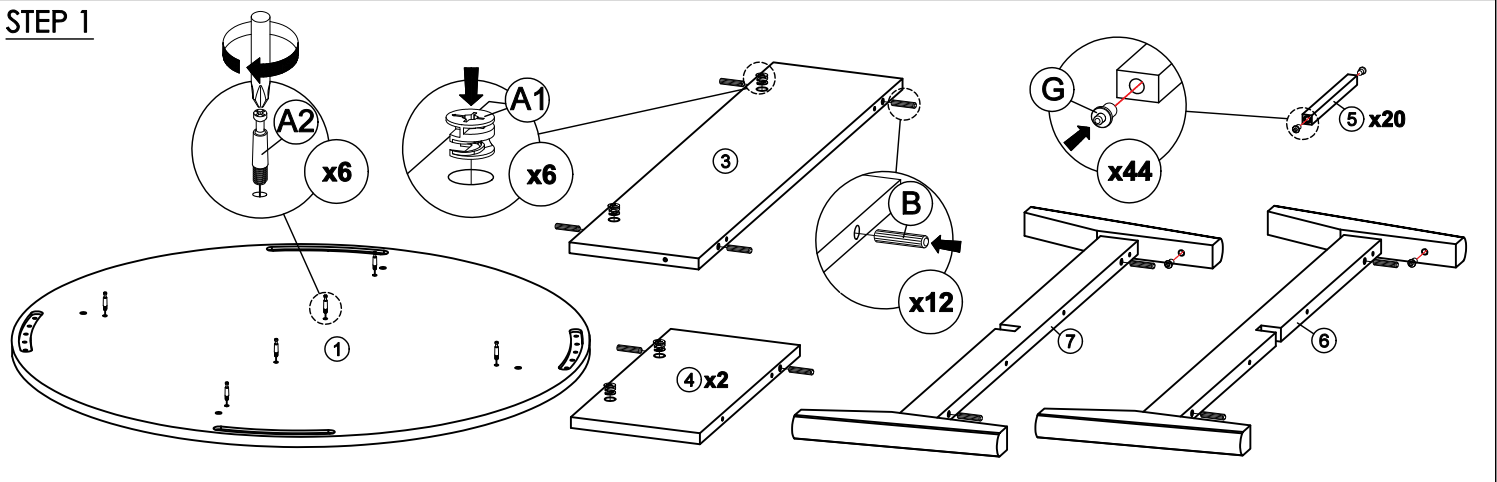
Read instruction carefully . See Furniture Parts list and Hardware List for guidance . Be sure you have all parts before you start assembling . Place and assemble furniture on a clean flat soft surface , such as carpet or rug to prevent being scratched . Please ensure that all surfaces and edges with colours/laminations are facing forward/outward.



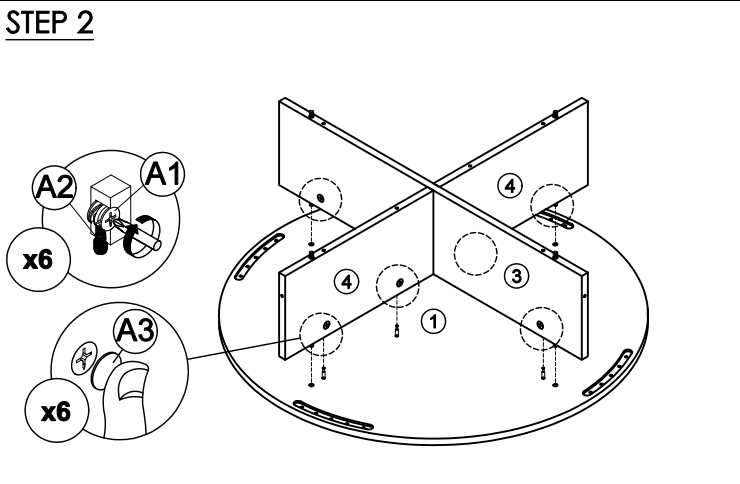
HARDWARE					
A	MINI FIX	A1	A2	A3	6 SETS
B	M8 X 30MM WOOD DOWEL				12 PCS
C	M6 X 50MM CSK CAP WOOD SCREW				6 PCS
D	ALLEN KEY M4				1 PC
E	M4 X 38MM C.B SCREW				8 PCS
F	5/8 PVC NAIL LEG				4 PCS
G	SPRING DOOR SUPPORT				44 PCS



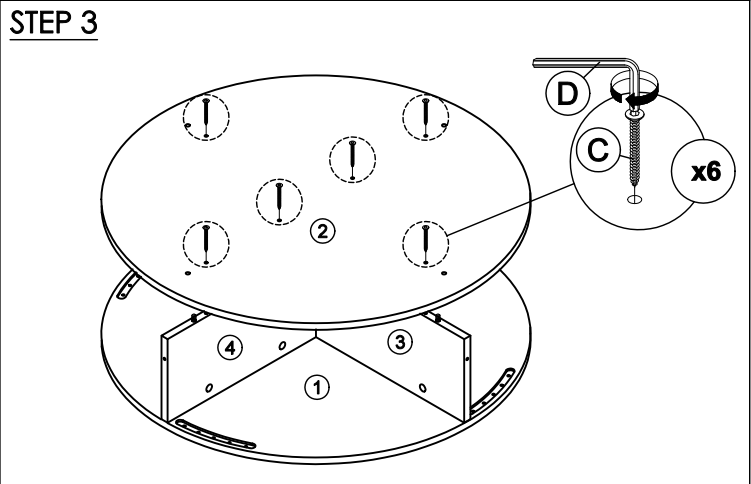
STEP 1



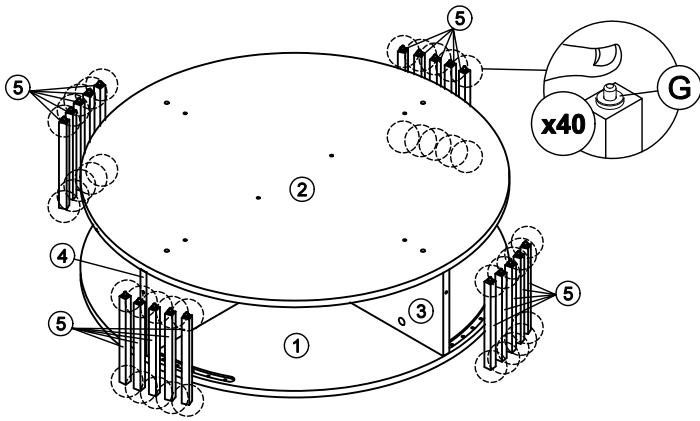
STEP 2



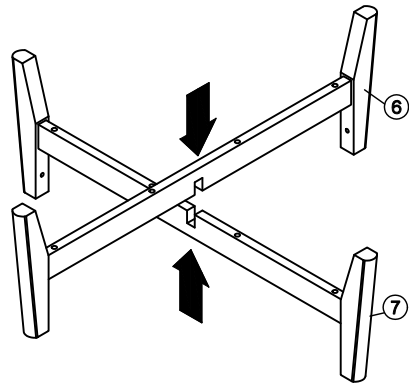
STEP 3



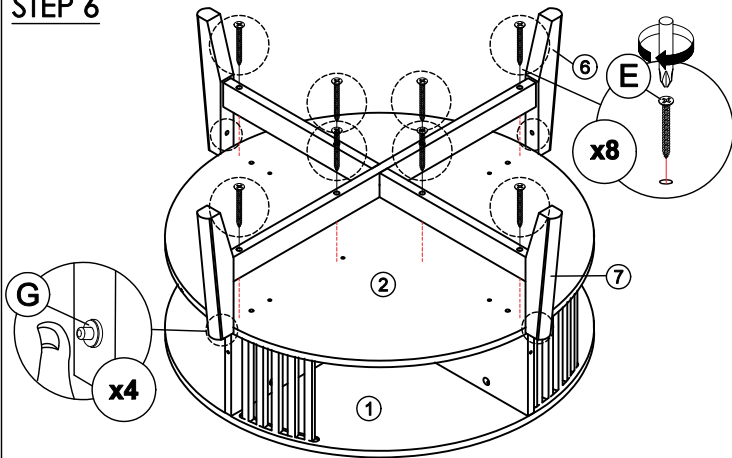
STEP 4



STEP 5



STEP 6



STEP 7

