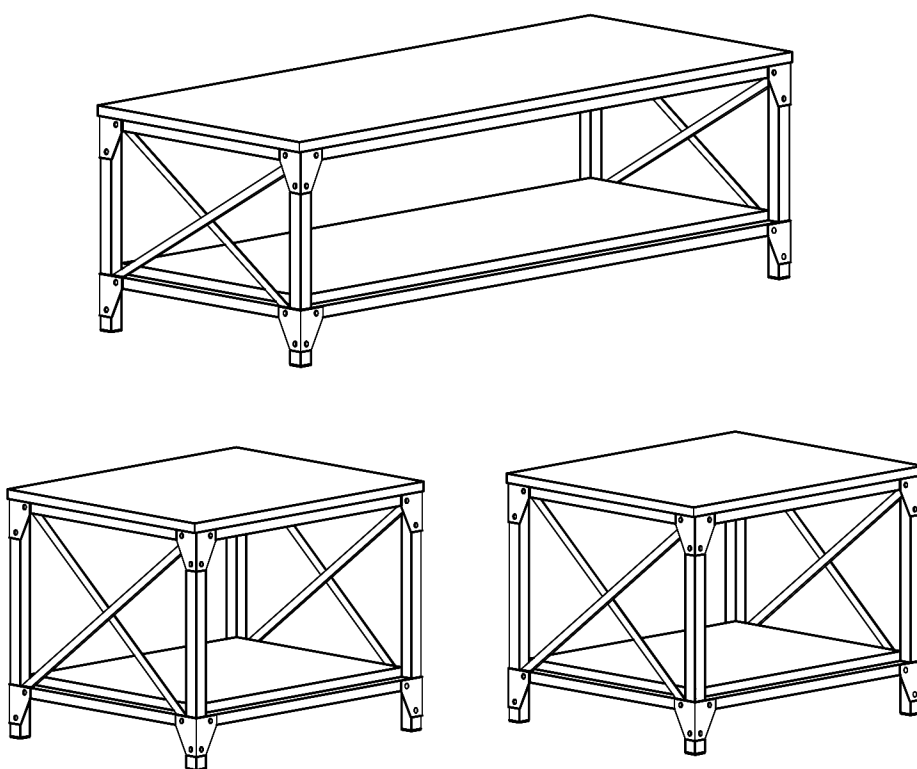
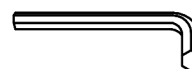


ASSEMBLY INSTRUCTIONS



TOOLS REQUIRED



Allen Wrench

(Included)



Phillips
Screwdriver

(Not Included)



**2 - People
Recommended**

ASSEMBLY RATING



EASY —————> DIFFICULT

The Assembly Rating is a 5-point system showing the level of effort needed to assemble a specific product.

Thank you for your purchase!

We hope you enjoy this new addition to your home for many years to come.

Our commitment to providing quality products does not simply end when you purchase our product. We fully stand behind our products from start to finish. Our customer service department is available and can help with assembly questions as well as, if necessary, replacing damaged or missing parts. To help expedite our service, please have these assembly instructions readily available, along with your order receipt.



CHECK BEFORE STARTING

Are you missing anything?

Double-check all parts, hardware and accessories listed on Page 6 are accounted for.

Check out our Quick Tips!

We recommend reviewing the pre-assembly handouts. Even experts need a refresher now and then!

Should we send any replacements?

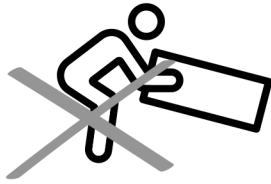
Are there any irregularities or flaws in the parts? We can send replacements!

Prep Time!

Please review the assembly instructions and all diagrams prior to assembling. Arrange parts as recommended on Page 7 and group identical hardware together to make assembling easier.

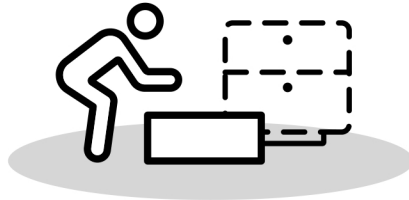
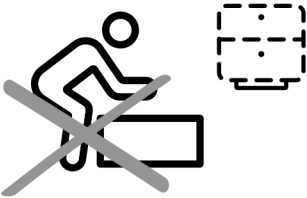
PRE ASSEMBLY INTRODUCTION

We understand building ready-to-assemble furniture can be a challenging experience for some. To help avoid confusion, we have provided some helpful tips that may speed up the process.



Teamwork

ALWAYS have at least two people to help with transporting and assembling the product to avoid potential injury and/or damage.



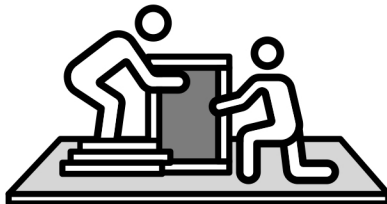
Suitable Location

Assembling near the area of the intended location is highly recommended.



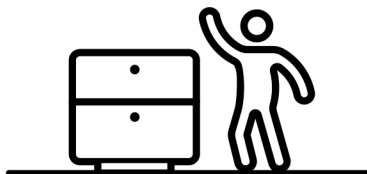
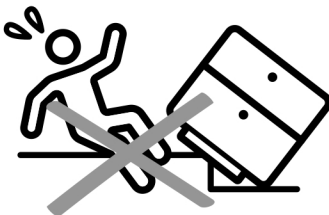
Sufficient Space

Make sure you have enough space to move around during the assembly.



Avoid Scratches

Use cardboard, blankets or a carpeted area while assembling furniture to prevent scratches.



Flat Surface

Make sure the furniture rests on a flat and level surface with each leg evenly touching the floor.

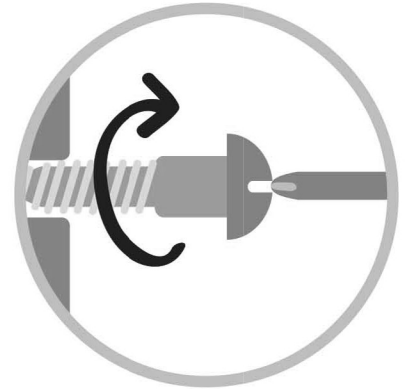
ASSEMBLY AND CARE ADVICE



FAILURE TO FOLLOW THE GUIDELINES BELOW MAY RESULT IN INJURY AND/OR PROPERTY DAMAGE.



Position each part correctly and insert screws or bolts into their respective holes.



Turn clockwise to tighten and only tighten when step is completed or when instructed to do so.



Save the instructions and store any supplied tools for later maintenance.

Use the appropriate hand tools or power tools for assembly. Select steps, such as tightening screws and/or bolts, may require hand tools to avoid causing damage during assembly.



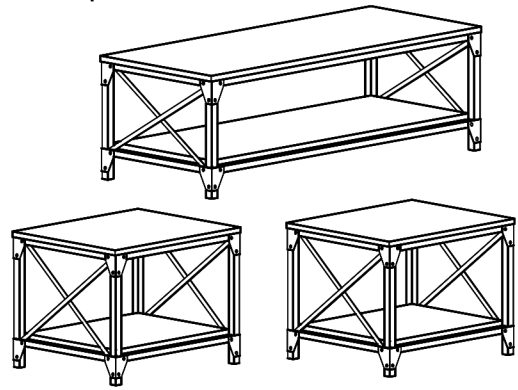
After two weeks, check and tighten any loose hardware and repeat again every six months thereafter.

IT IS THE USER'S RESPONSIBILITY TO MAINTAIN THE FURNITURE. THE HARDWARE MAY LOOSEN OVER TIME AND MAY CAUSE THE FURNITURE TO BE WOBBLY AND UNABLE TO SUPPORT ITS INTENDED WEIGHT CAPACITY. THIS MAY LEAD TO COLLAPSE AND MAY CAUSE SERIOUS INJURY.

COFFEE TABLE SET



- Please keep instructions for future reference.
- Check the quantity and irregularity of parts and hardware before you start.



PARTS - COFFEE TABLE

#1 1pc



Table Top (Big)

#2 2pcs

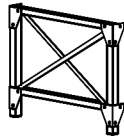


Table Leg

#3 4pcs



Cross Bar

#4 1pc



Bottom Panel (Small)

PARTS - END TABLE

#5 2pcs

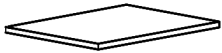


Table Top (Big)

#6 4pcs

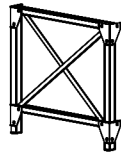
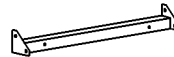


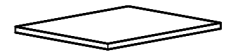
Table Leg

#7 8pcs



Cross Bar

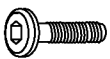
#8 2pcs



Bottom Panel (Small)

HARDWARE - COFFEE TABLE

#A 16pcs



JCBC Bolt
M6 x 15mm

#B 16pcs



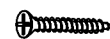
M6 Spring
Washer

#C 16pcs



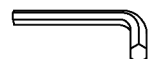
M6 Flat
Washer

#D 12pcs



CB Screw
M4 x 32mm

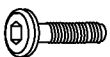
#E 1pc



M4 Allen
Wrench

HARDWARE - END TABLE

#F 32pcs



JCBC Bolt
M6 x 15mm

#G 32pcs



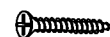
M6 Spring
Washer

#H 32pcs



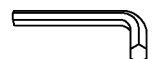
M6 Flat
Washer

#I 16pcs



CB Screw
M4 x 32mm

#J 1pc



M4 Allen
Wrench

ASSEMBLY INSTRUCTIONS

1

Part #2 x 2pcs

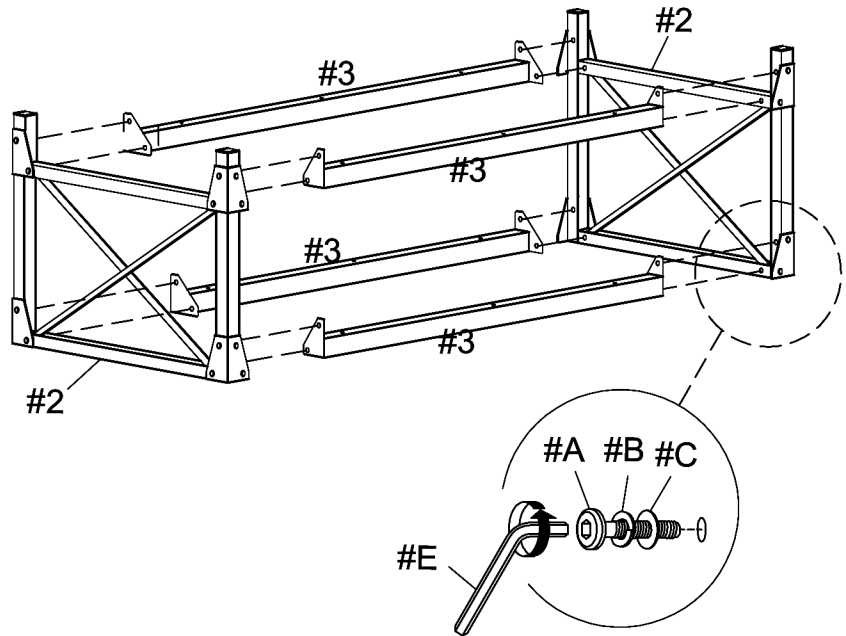
Part #3 x 4pcs

Hardware #A x 16pcs

Hardware #B x 16pcs

Hardware #C x 16pcs

Align coffee table cross bars (#3) to the coffee table legs (#2), then secure by using bolts (#A) with washers (#B,C).



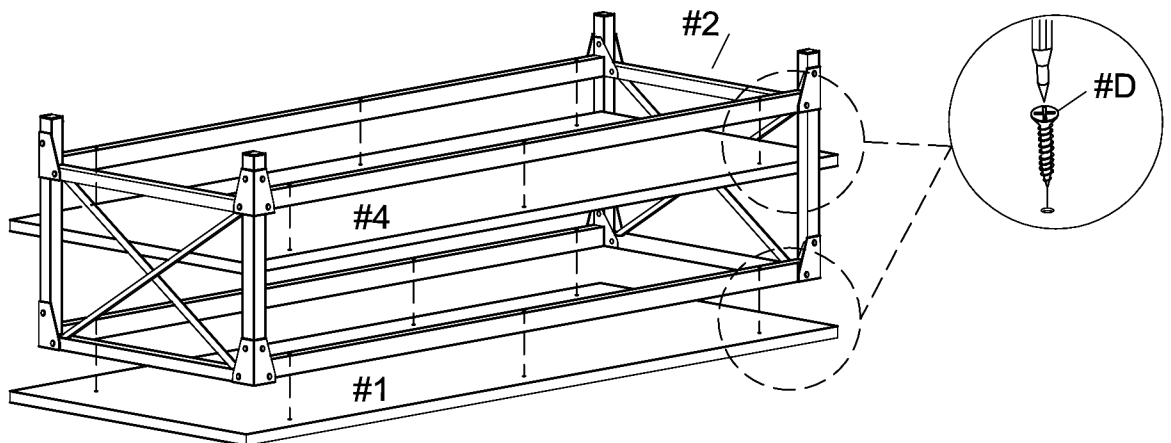
2

Part #1 x 1pc

Part #4 x 1pc

Hardware #D x 12pcs

Align coffee table top and bottom (#1,4) to the frame, then secure by using screws (#D).



ASSEMBLY INSTRUCTIONS

3

Part #6 x 4pcs

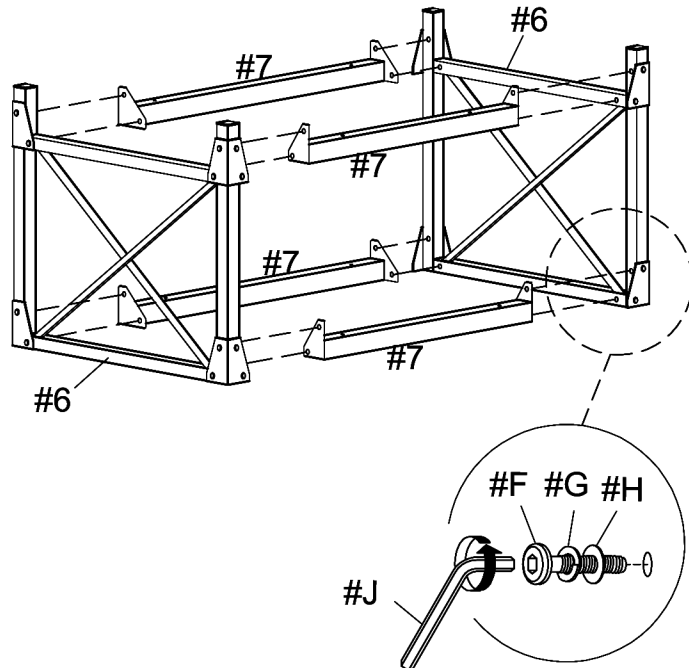
Part #7 x 8pcs

Hardware #F x 32pcs

Hardware #G x 32pcs

Hardware #H x 32pcs

Align end table cross bars (#7) to the end table legs (#6), then secure by using bolts (#F) with washers (#G,H).



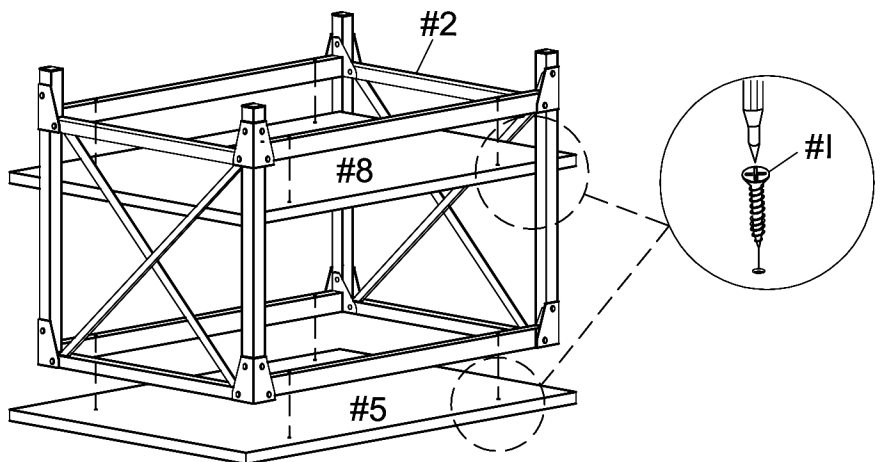
4

Part #5 x 2pcs

Part #8 x 2pcs

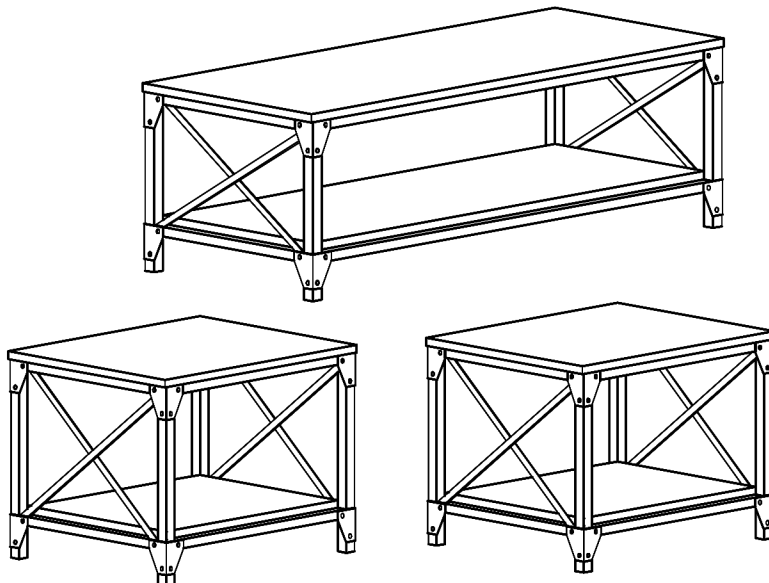
Hardware #I x 16pcs

Align end table top and bottom (#5,8) to the frame, then secure by using screws (#I).



ASSEMBLY INSTRUCTIONS

5



ASSEMBLY COMPLETED



Please ensure the furniture rests on an even and flat surface. If the product wobbles or feels loose, double-check all bolts and/or screws are properly tightened and secured.



Keep this handy!

Please retain this instruction manual and any order-related information for future reference.



Lift, don't drag!

To avoid damage to product please always LIFT the product when transporting or adjusting the placement.