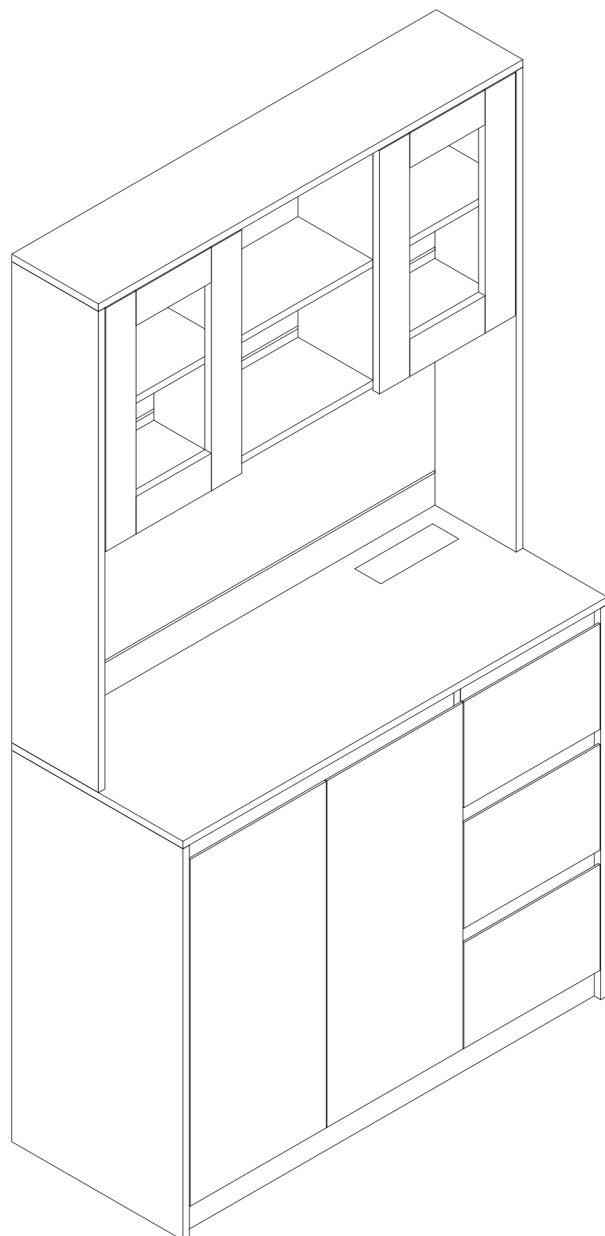
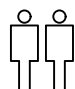


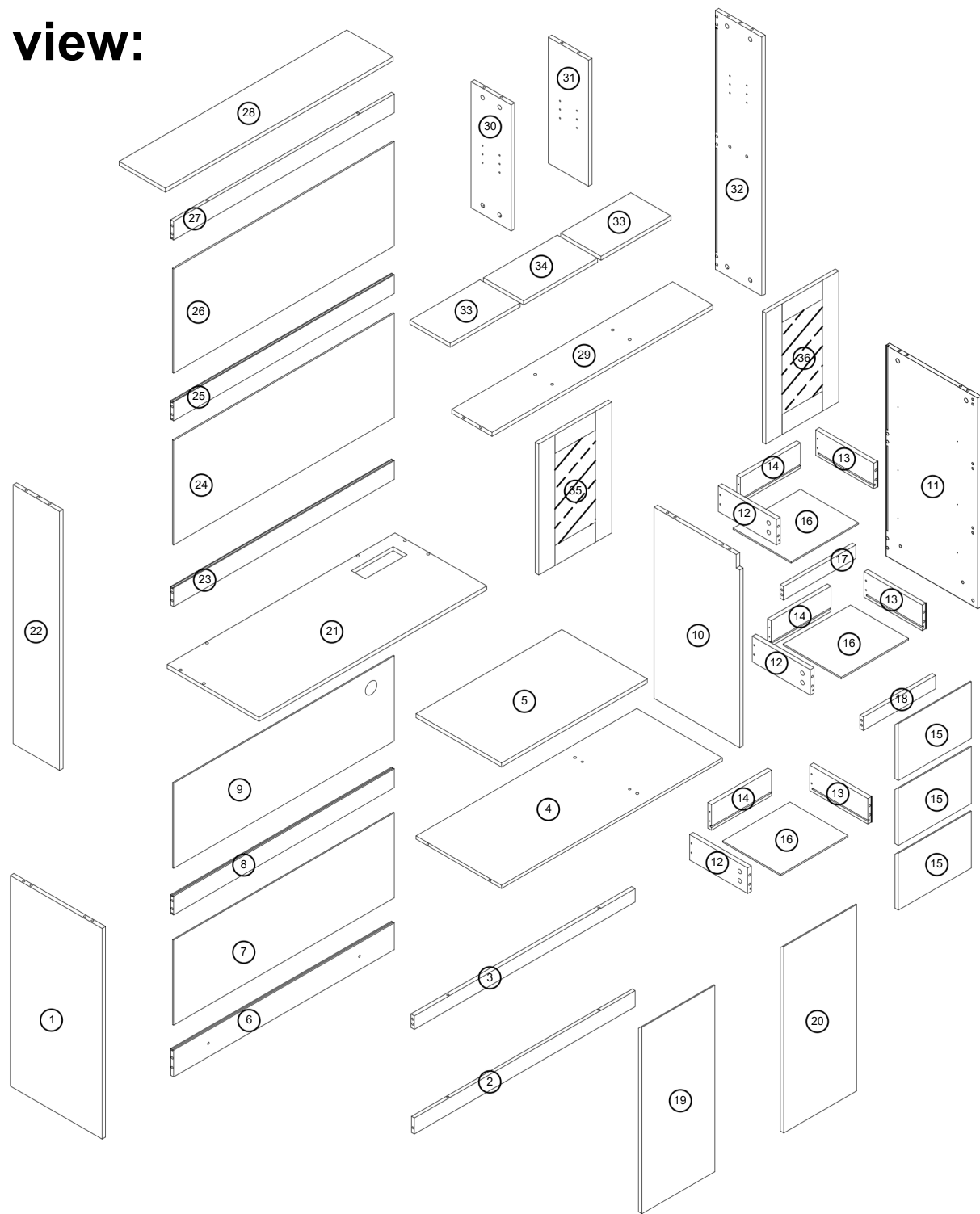
SKU:

Assembly Instruction

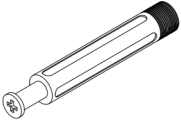




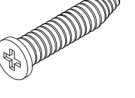
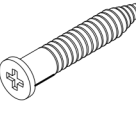
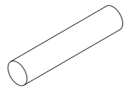


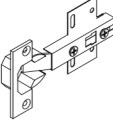
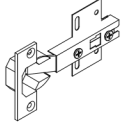
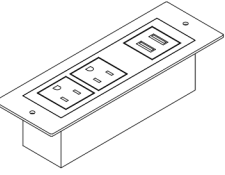
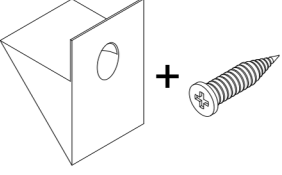
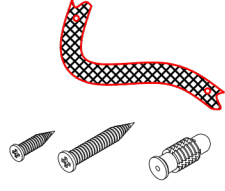
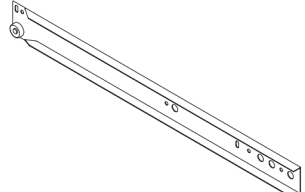
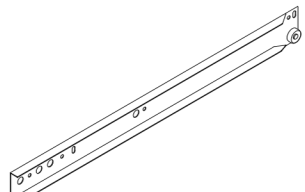
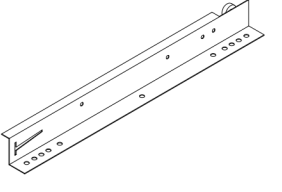
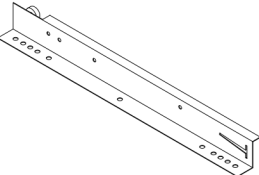
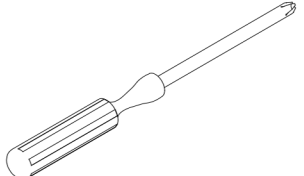


 Team
Assembly
Recommended

Explosive view:

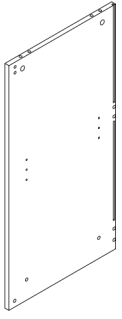


Screws & Tools :

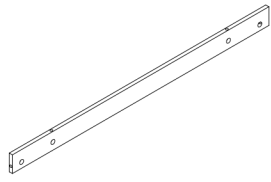
<p>A 78PCS</p>  <p>M6*40</p>	<p>B 36PCS</p>  <p>ø15*12</p>	<p>C 26PCS</p>  <p>M3*12</p>	<p>D 1PCS</p> 	<p>E 54PCS</p> 	<p>F 48PCS</p>  <p>M4*16</p>
<p>G 12PCS</p>  <p>M5*40</p>	<p>H 26PCS</p>  <p>M8*40</p>	<p>I 16PCS</p> 	<p>J 42PCS</p>  <p>ø15*9</p>	<p>K 6PCS</p> 	<p>L 2PCS</p> 
<p>M 1PCS</p> 	<p>N 16PCS</p> 	<p>O 2PCS</p> 	<p>P 3PCS</p> 	<p>Q 3PCS</p> 	<p>R 3PCS</p> 
<p>S 3PCS</p> 					

Components:

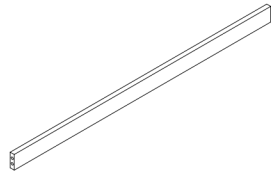
① X1



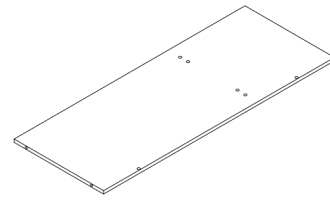
② X1



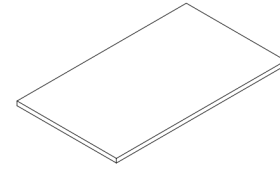
③ X1



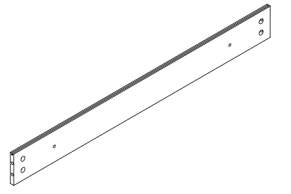
④ X1



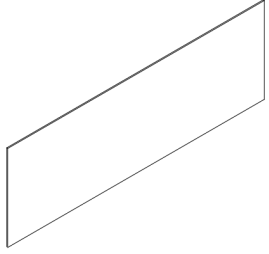
⑤ X1



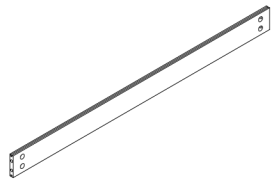
⑥ X1



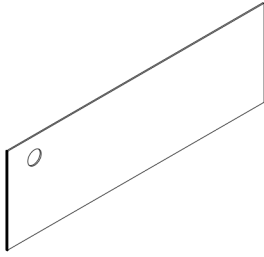
⑦ X1



⑧ X1



⑨ X1



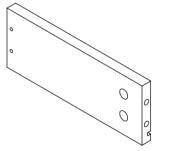
⑩ X1



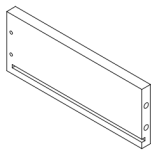
⑪ X1



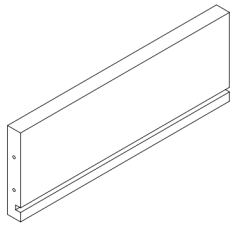
⑫ X3



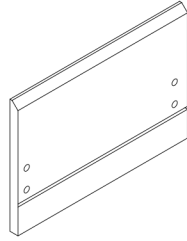
⑬ X3



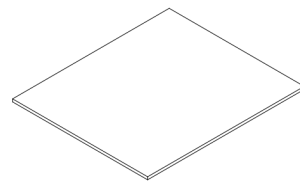
⑭ X3



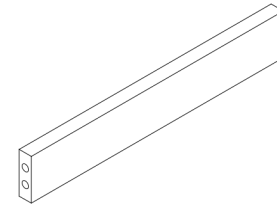
⑮ X3



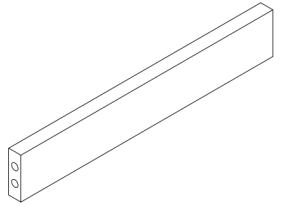
⑯ X3



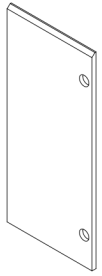
⑰ X1



⑱ X1



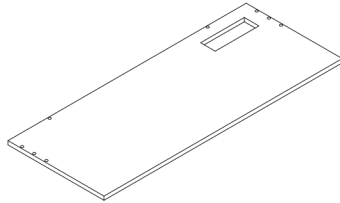
⑲ X1



⑳ X1



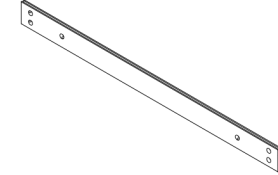
㉑ X1



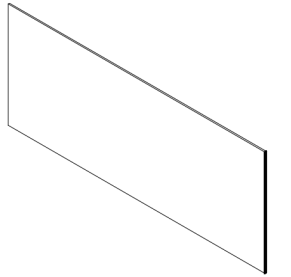
㉒ X1



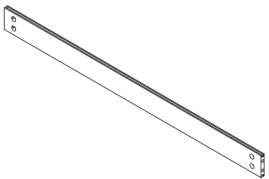
㉓ X1



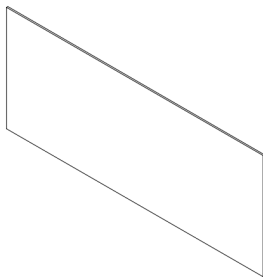
㉔ X1



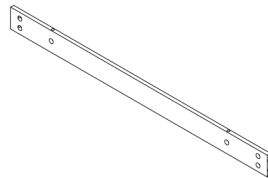
㉕ X1



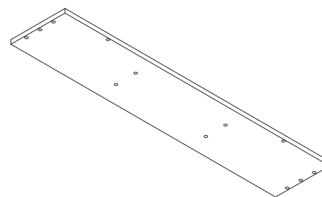
㉖ X1



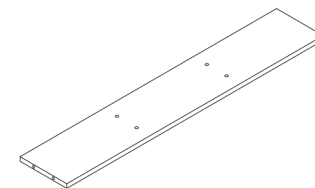
㉗ X1



㉘ X1



㉙ X1



㉚ X1



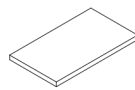
㉛ X1



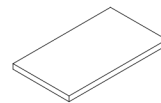
㉜ X1



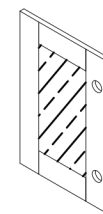
㉝ X2



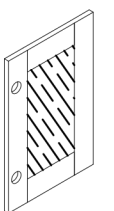
㉞ X1



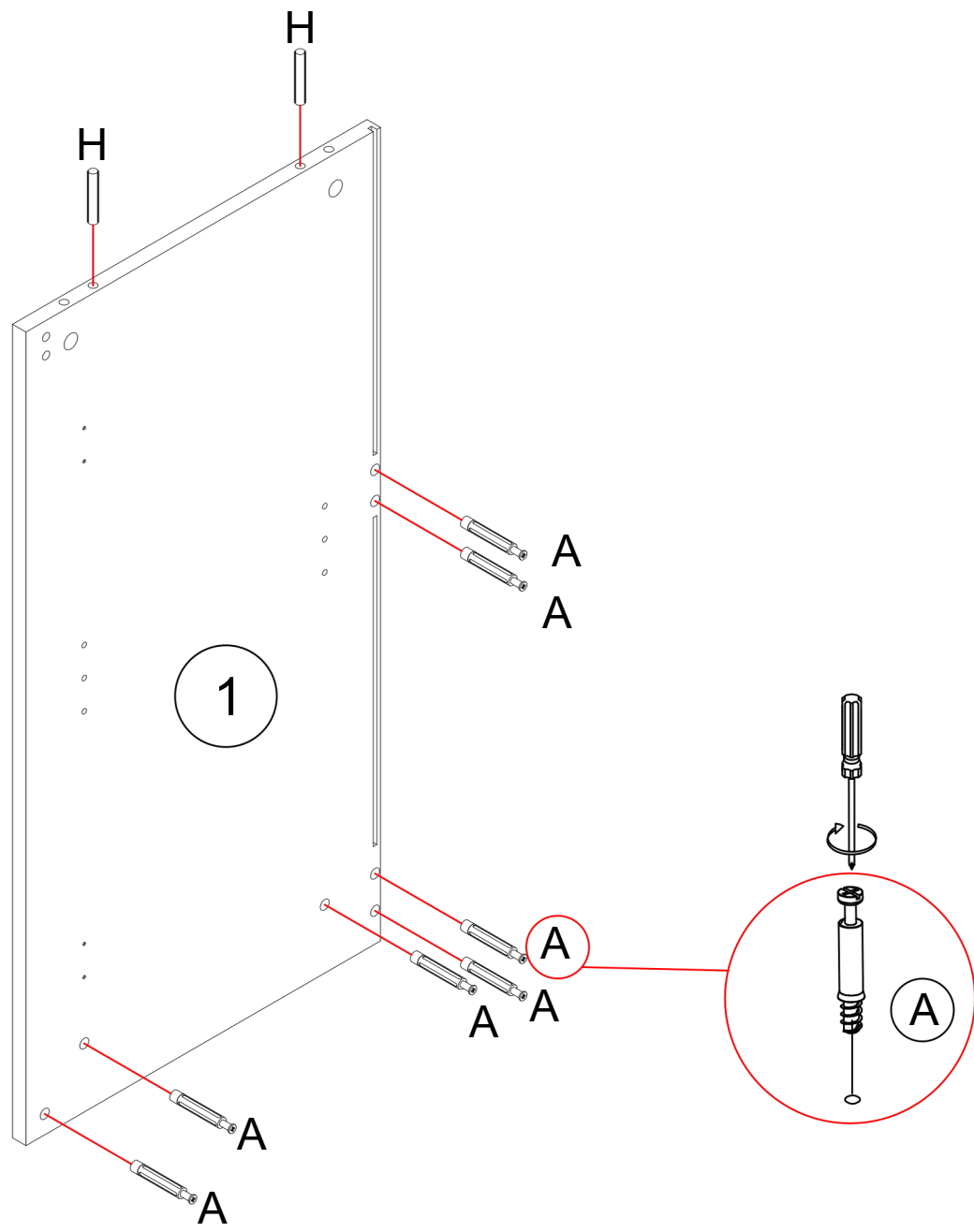
㉟ X1


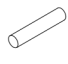


㊱ X1

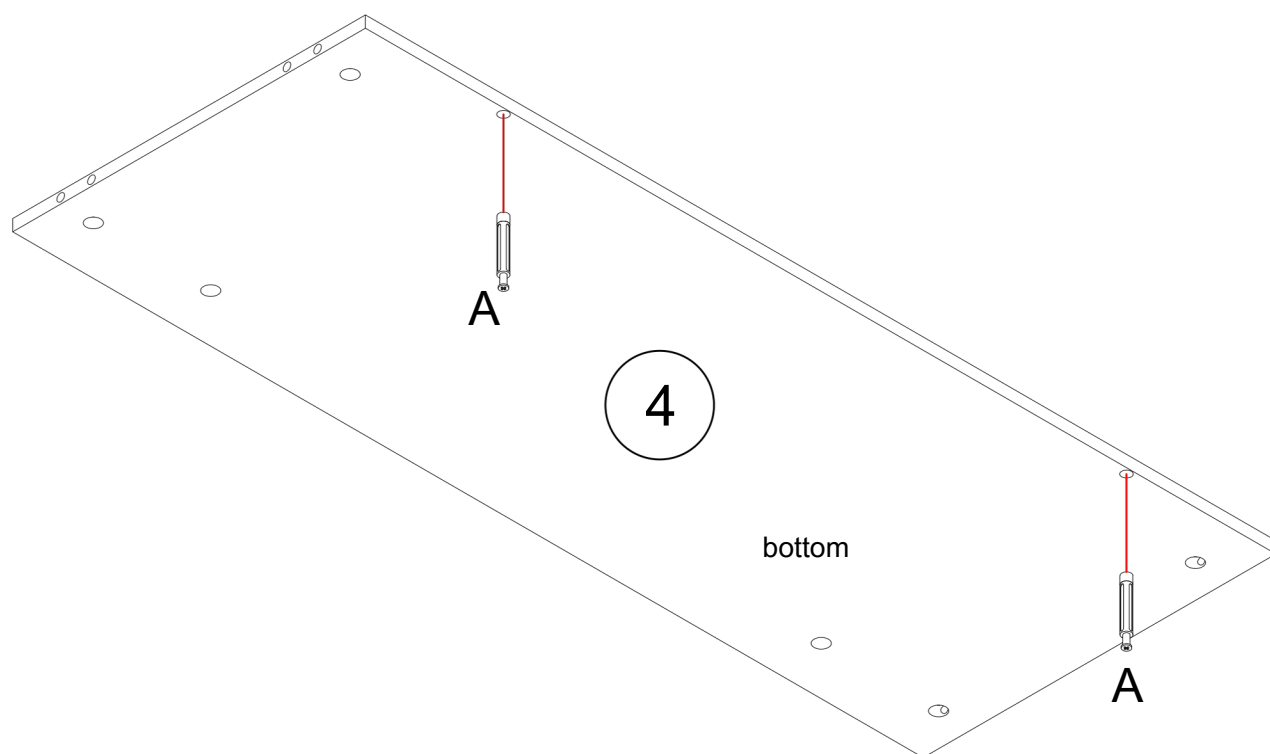


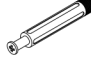
Step 1:




A	7PCS
	
M6*40	
H	2PCS
	
M8*40	

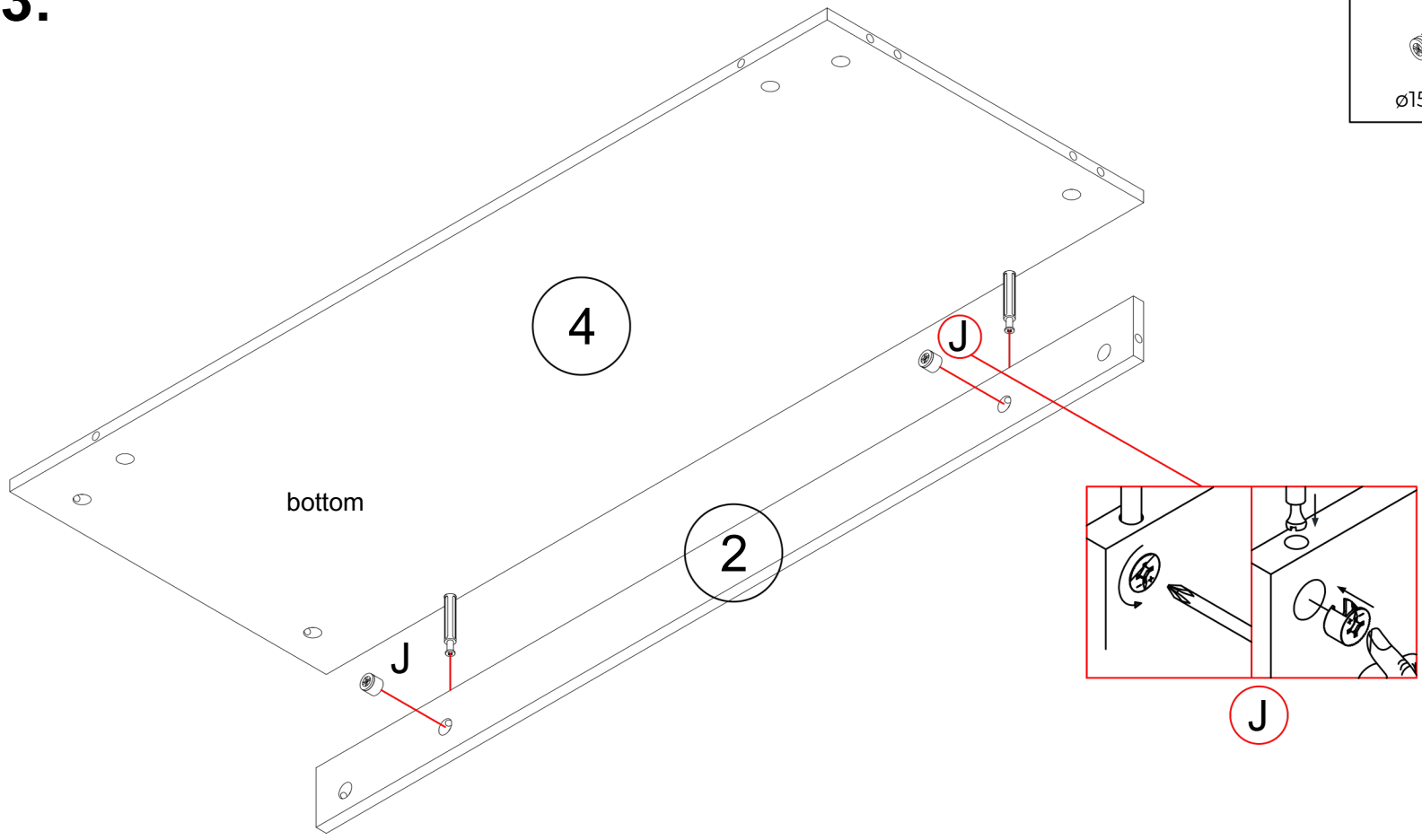
Step 2:






A	2PCS
	
M6*40	

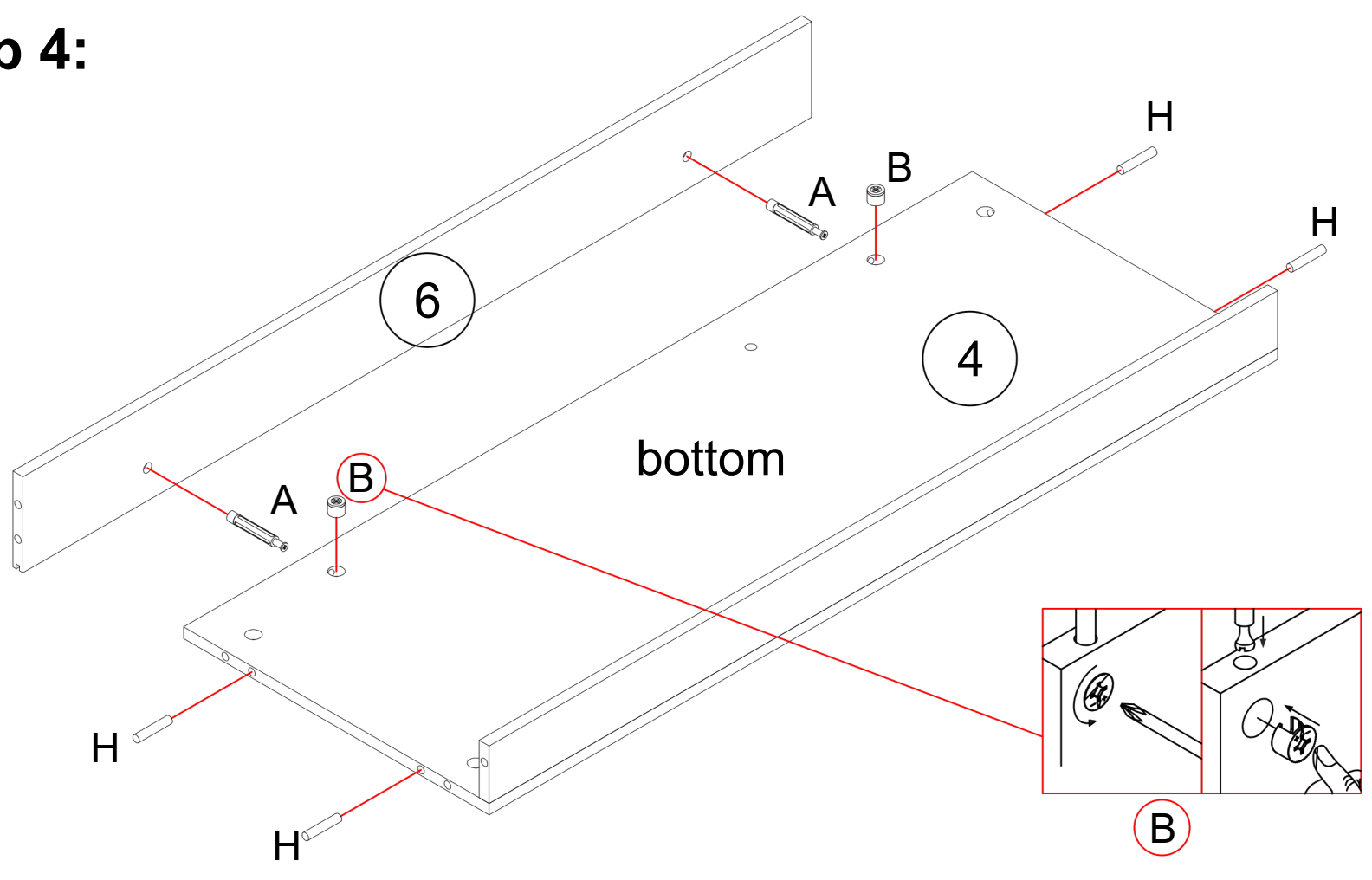
Step 3:

- J 2PCS
- 
- ø15*9

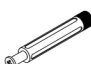


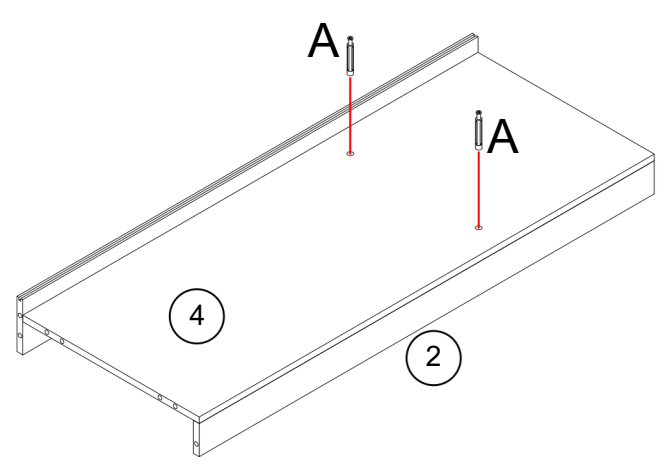
Step 4:

- A 2PCS
- 
- M6*40
- B 2PCS
- 
- ø15*12
- H 4PCS
- 
- M8*40




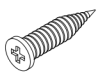
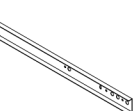


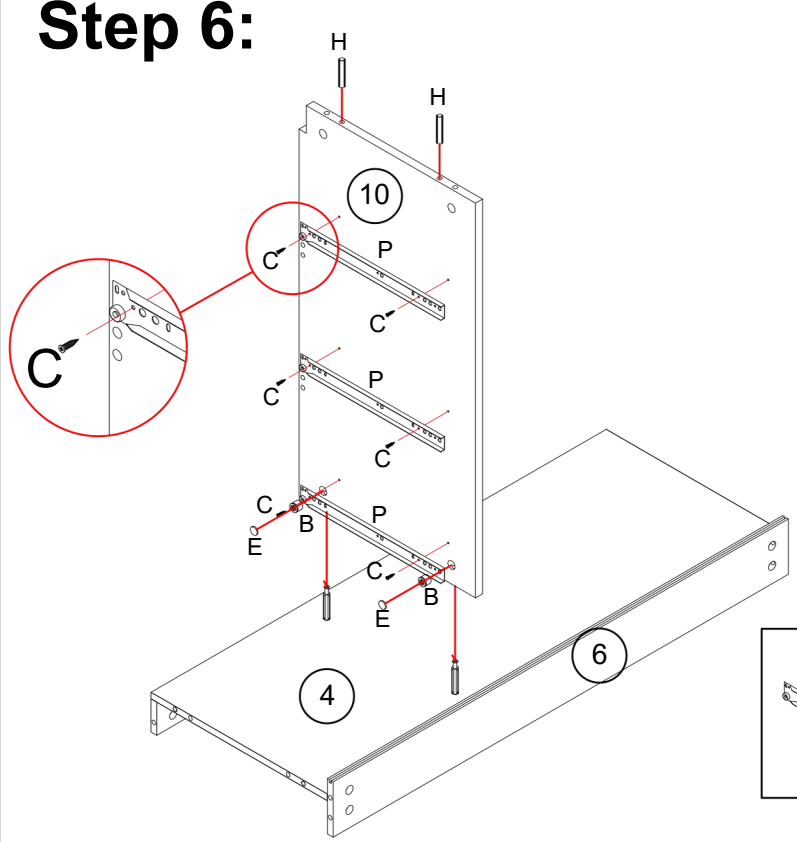
Step 5:

- A 2PCS
- 
- M6*40



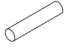


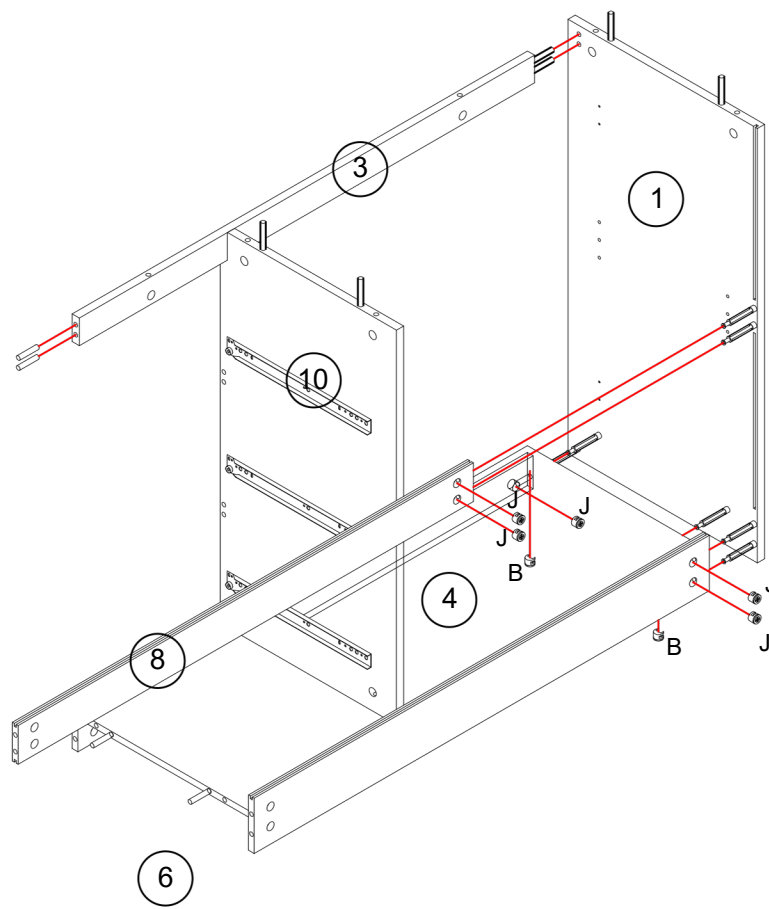
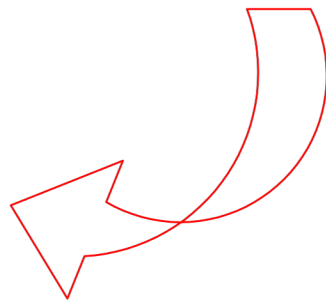
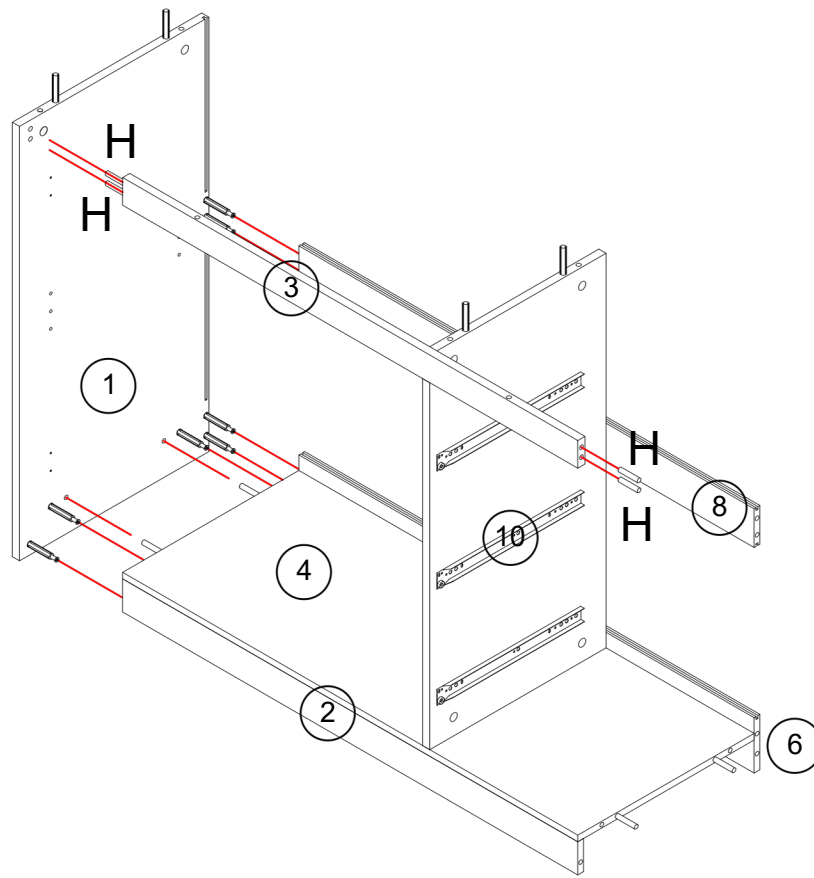
Step 6:

- B 2PCS
- 
- ø15*12
- E 2PCS
- 
- H 2PCS
- 
- M8*40
- C 6PCS
- 
- M3*12
- P 3PCS
- 

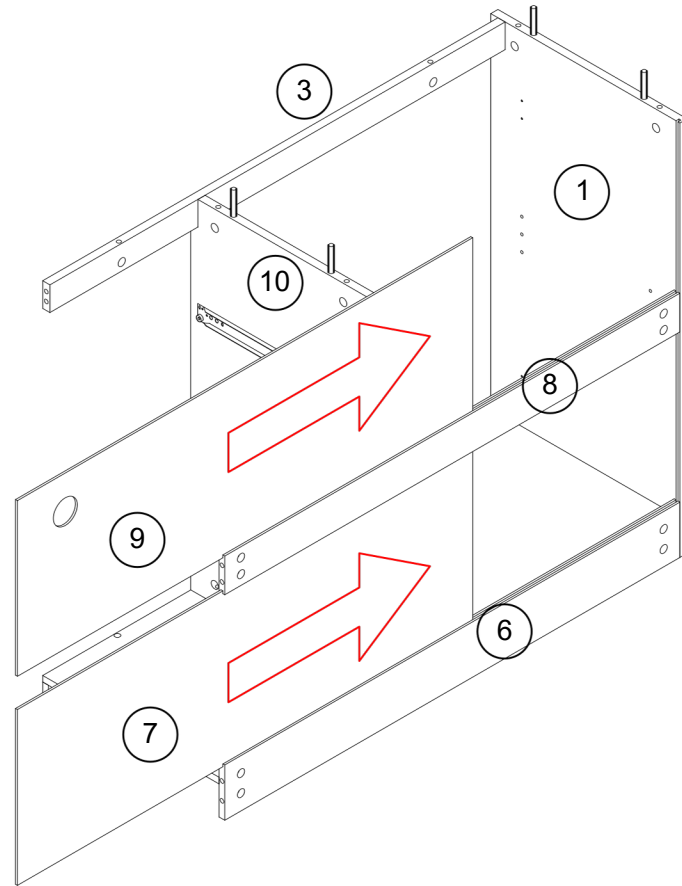


Step 7:

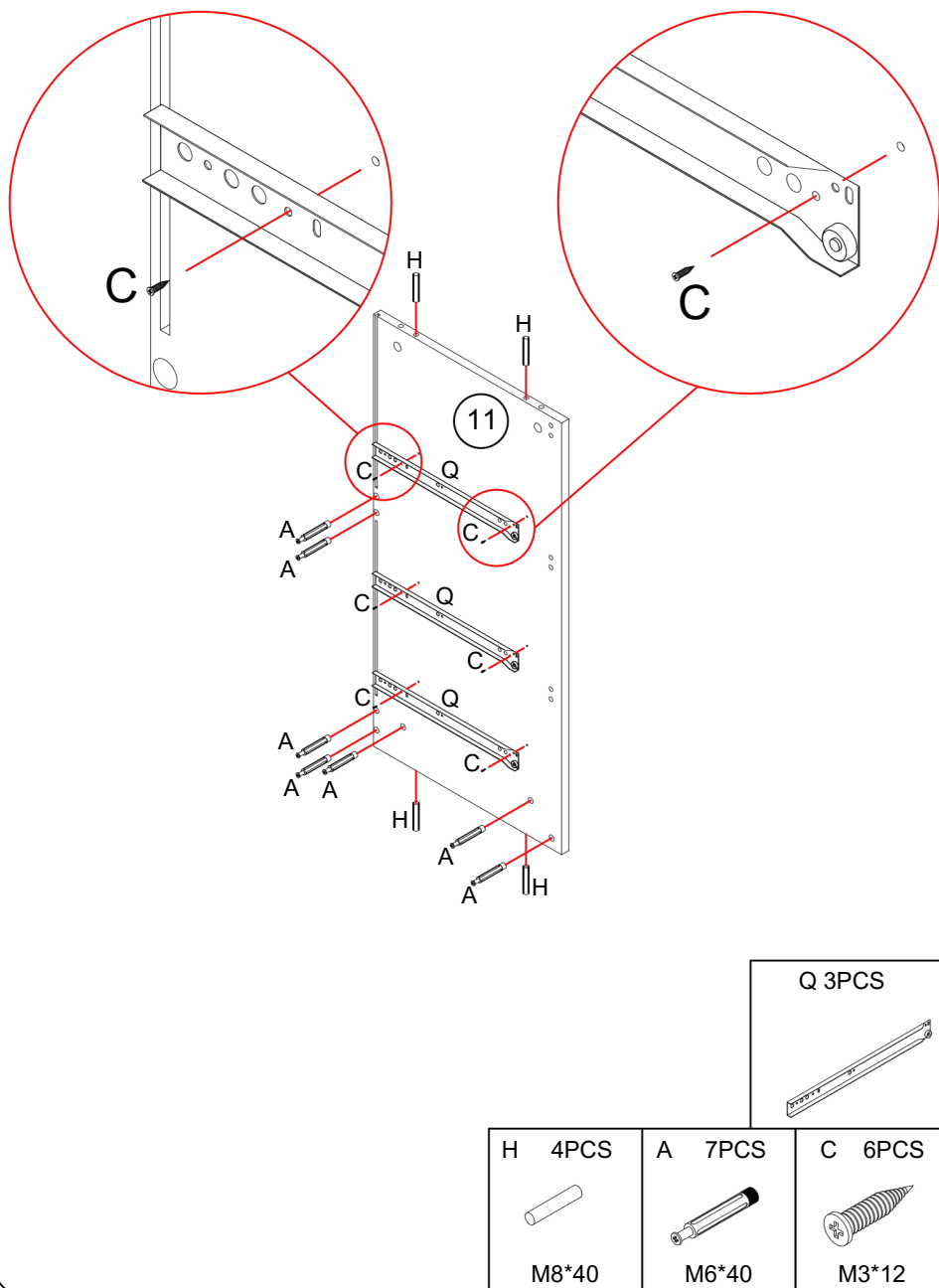
B 2PCS	J 5PCS	H 4PCS
		
ø15*12	ø15*9	M8*40



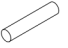
Step 8:

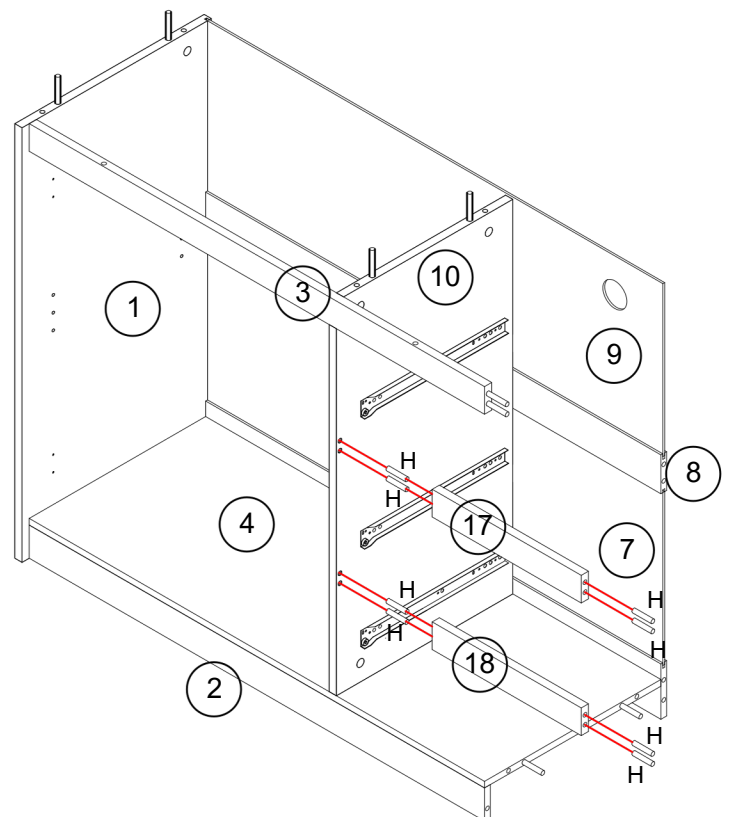


Step 9:



Step 10:

H 8PCS

M8*40

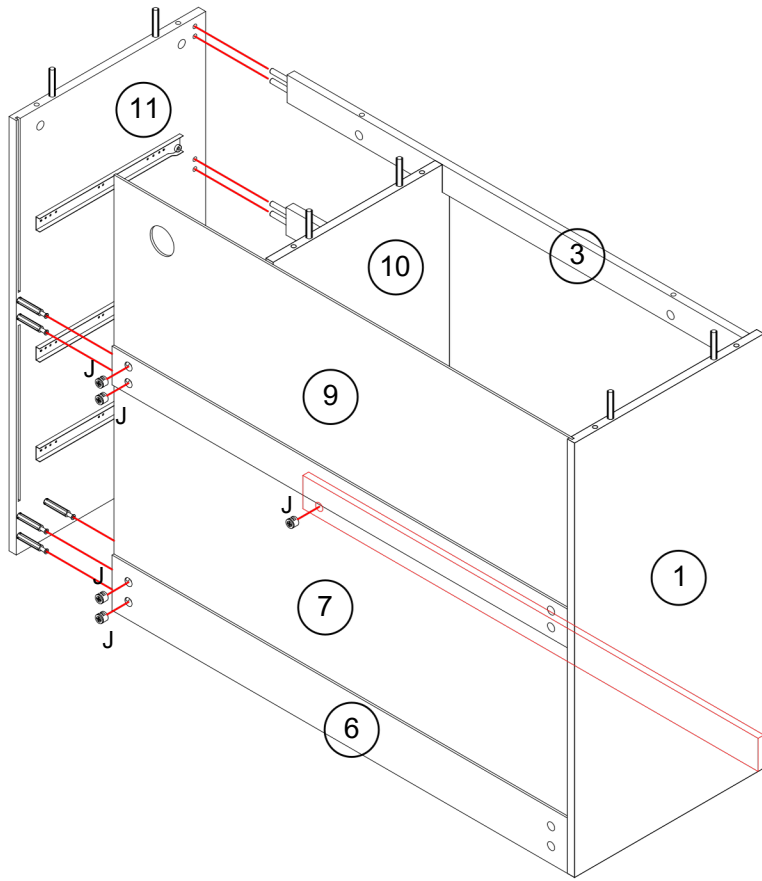


Step 11:

J 5PCS

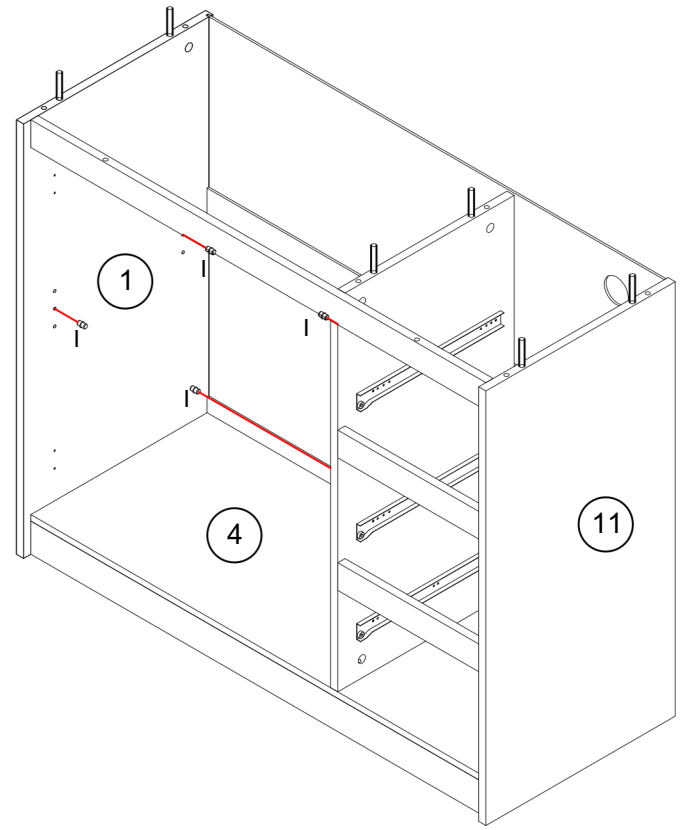


ø15*9



Step 12:

I 4PCS

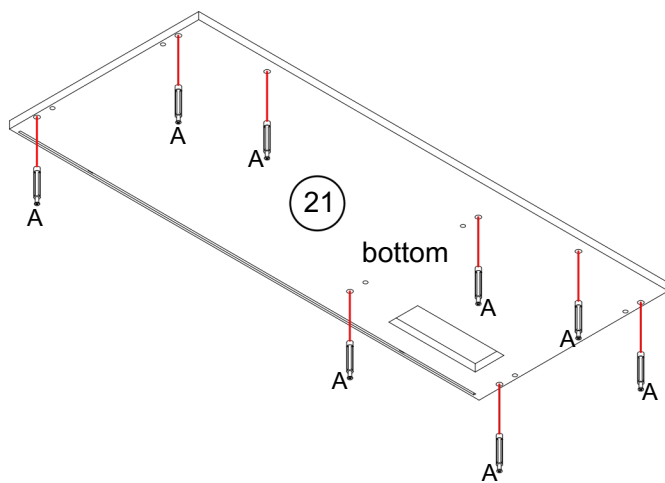


Step 13:

A 8PCS



M6*40



Step 14:

B 6PCS



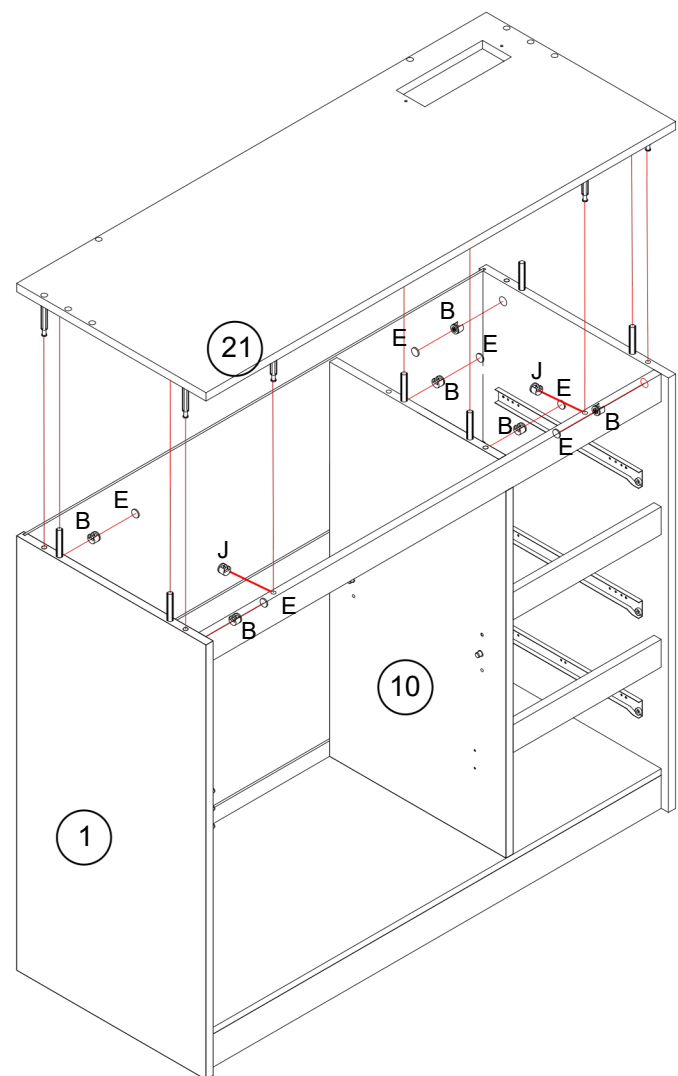
ø15*12

J 2PCS

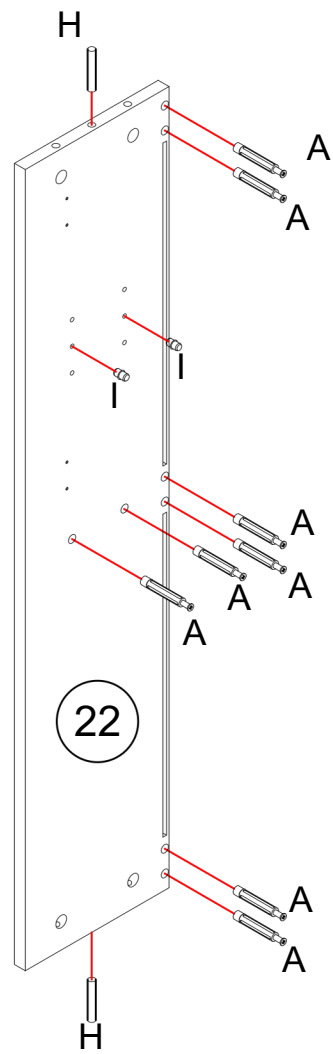


ø15*9

E 6PCS



Step 15:



A 8PCS



M6*40

I 2PCS

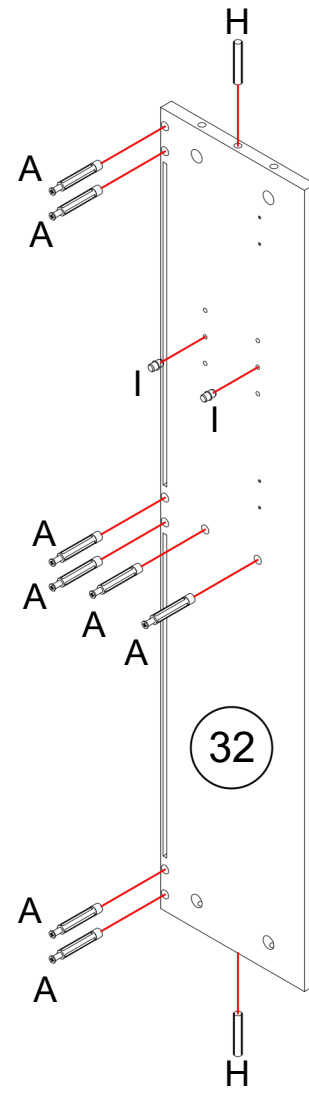


H 2PCS



M8*40

Step 16:



A 8PCS



M6*40

I 2PCS

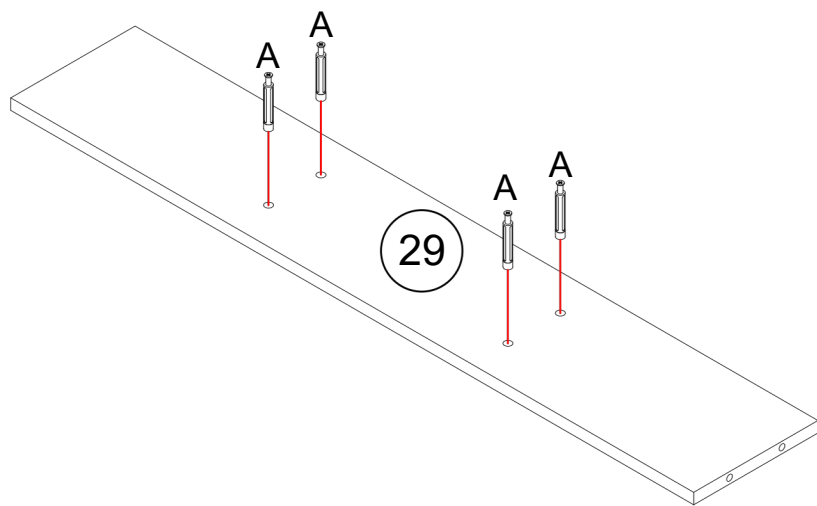


H 8PCS



M8*40

Step 17:

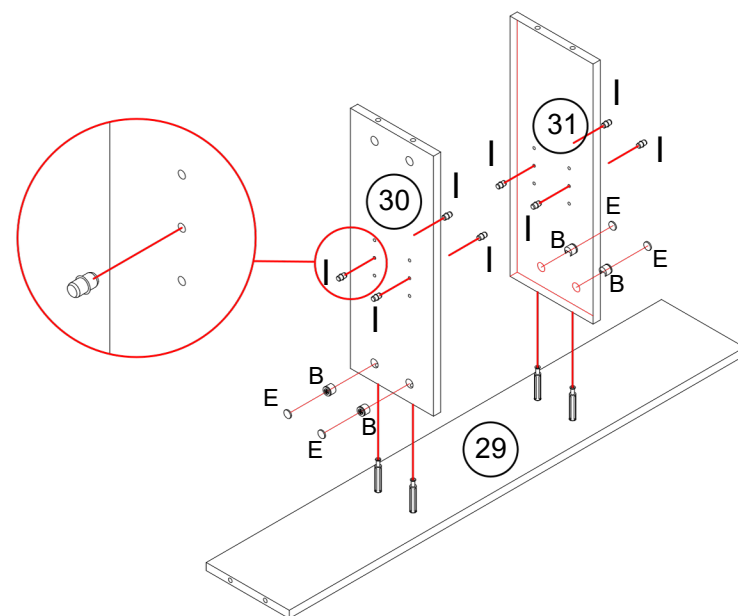


A 4PCS



M6*40

Step 18:



B 4PCS



ø15*12

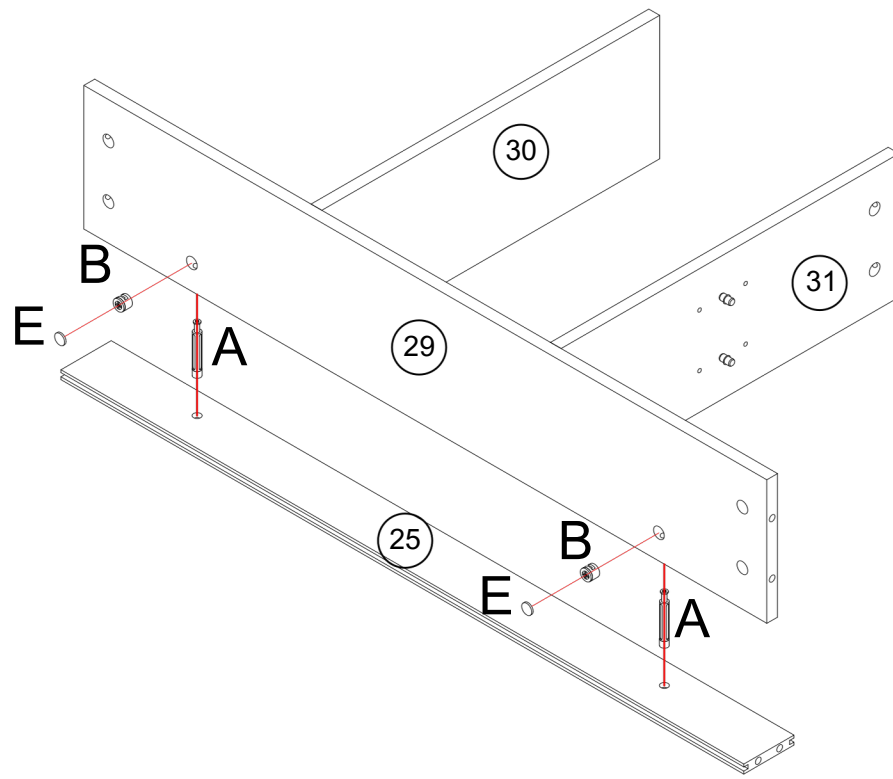
E 4PCS



I 8PCS



Step 19:



A 2PCS



M6*40

B 2PCS

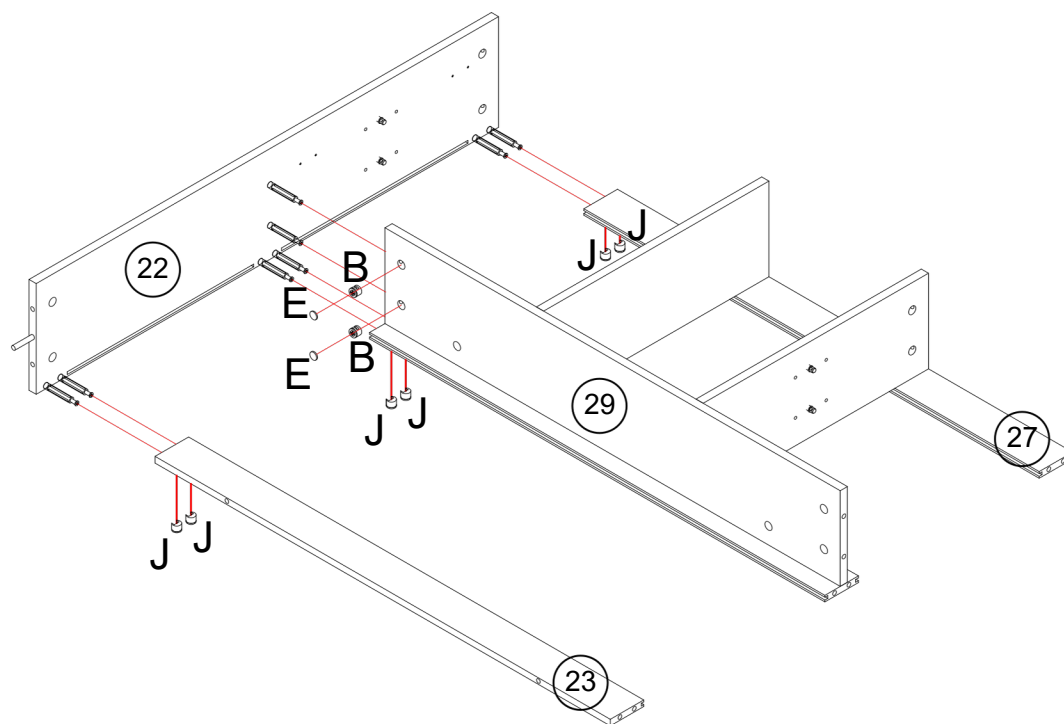


ø15*12

E 2PCS



Step 20:



A 2PCS



M6*40

B 2PCS



ø15*12

J 6PCS

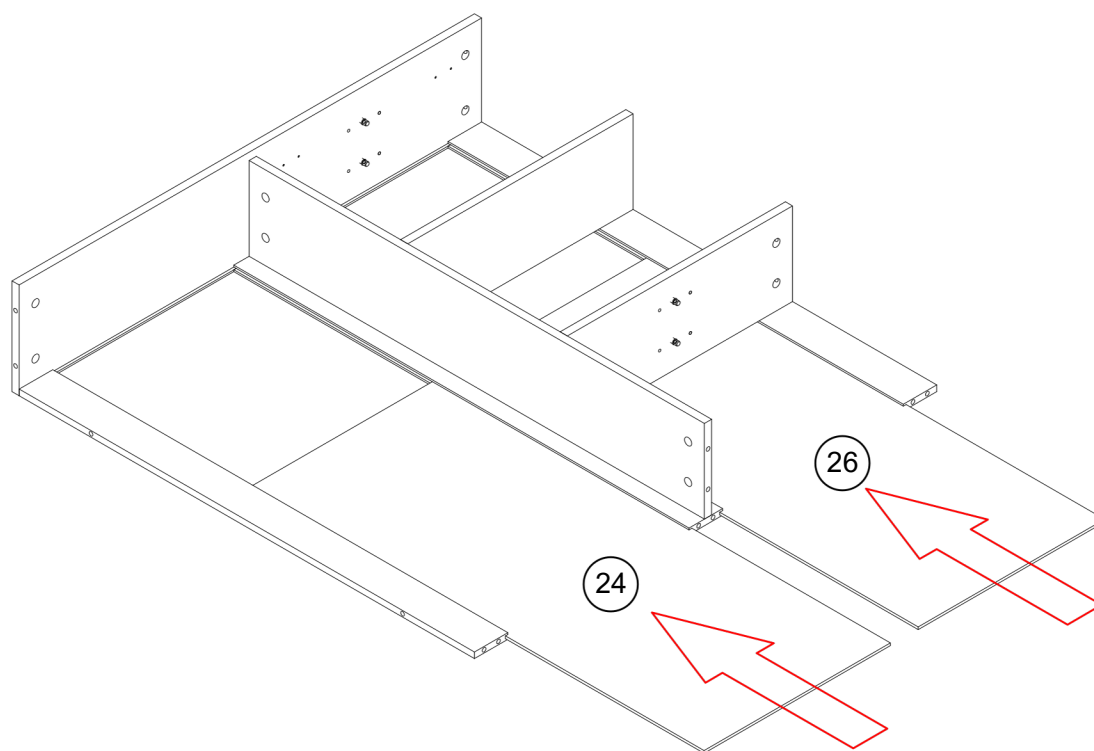


ø15*9

E 2PCS



Step 21:

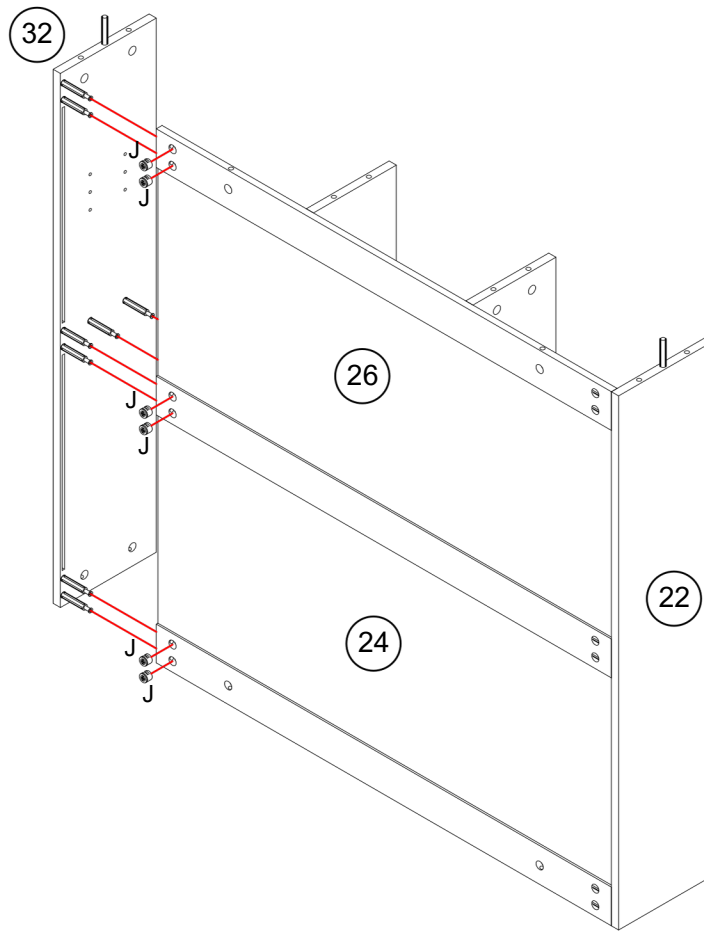


Step 22:

J 6PCS

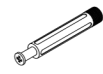


ø15*9

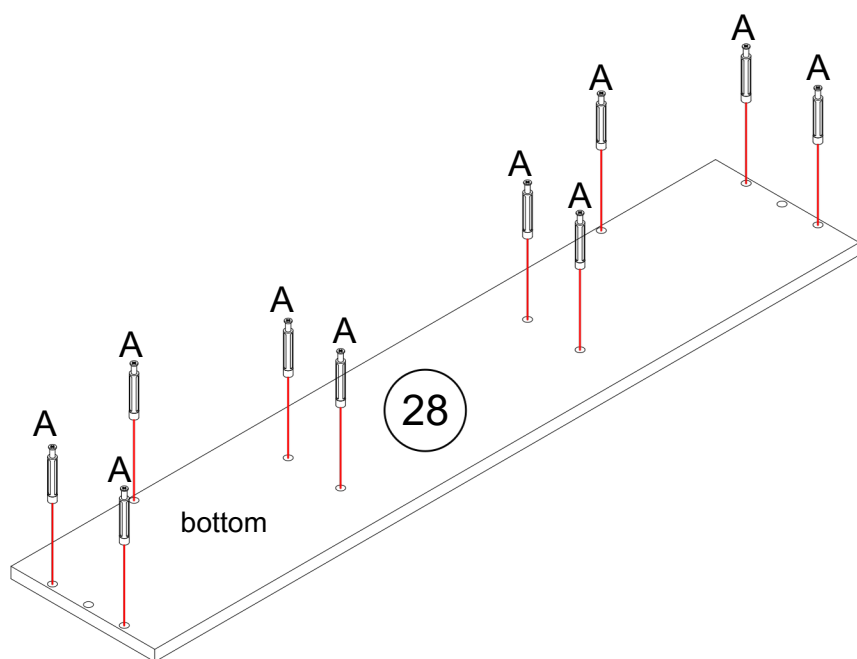


Step 23:

A 10PCS



M6*40



Step 24:

J 2PCS



ø15*9

E 8PCS



B 8PCS

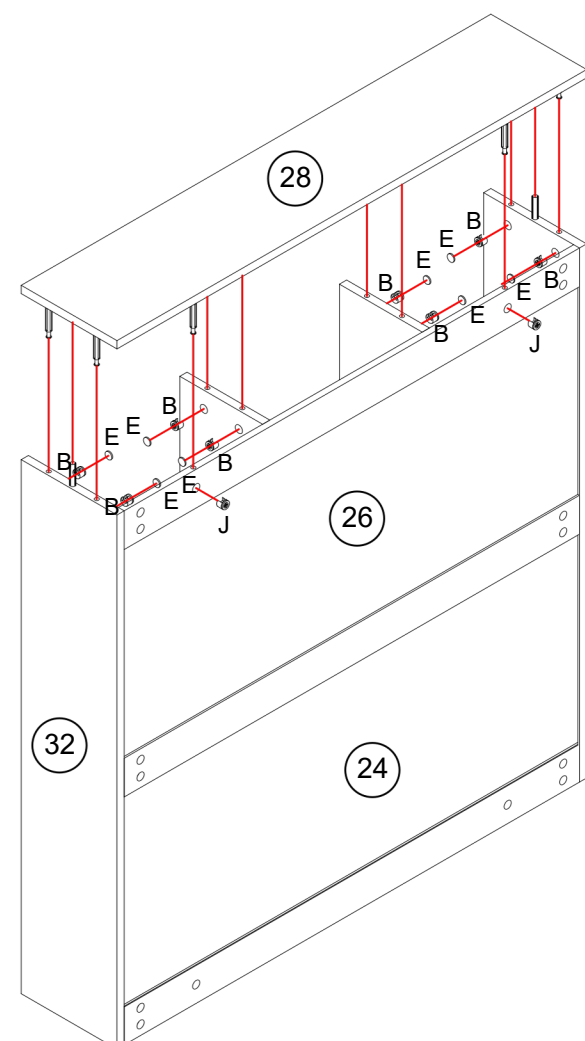


ø15*12

H 2PCS

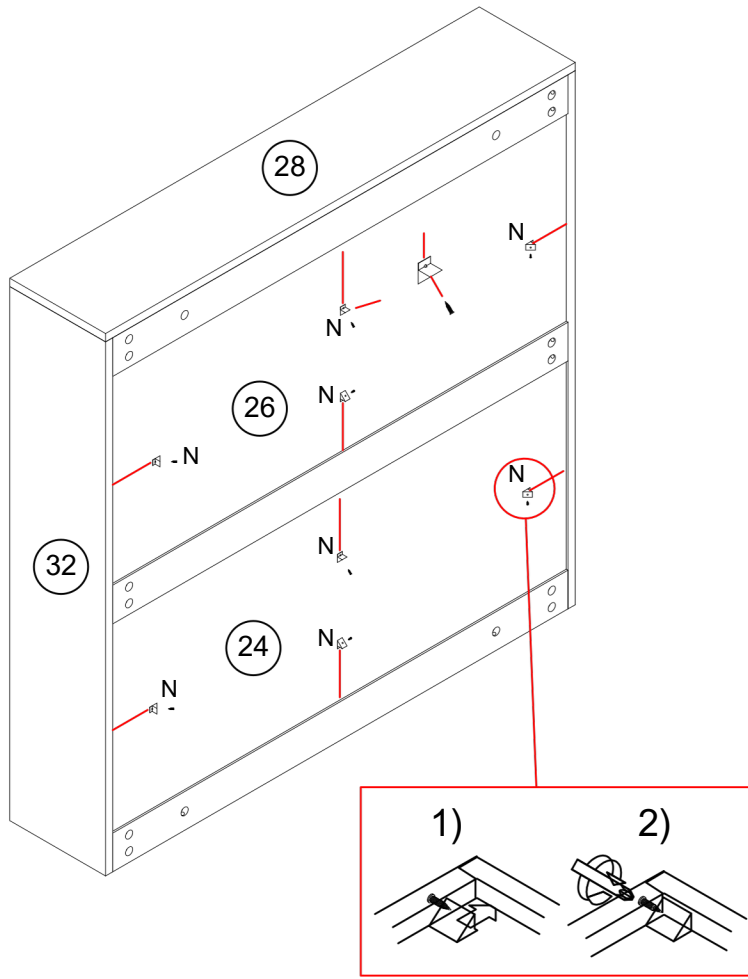
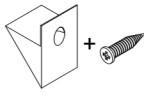


M8*40



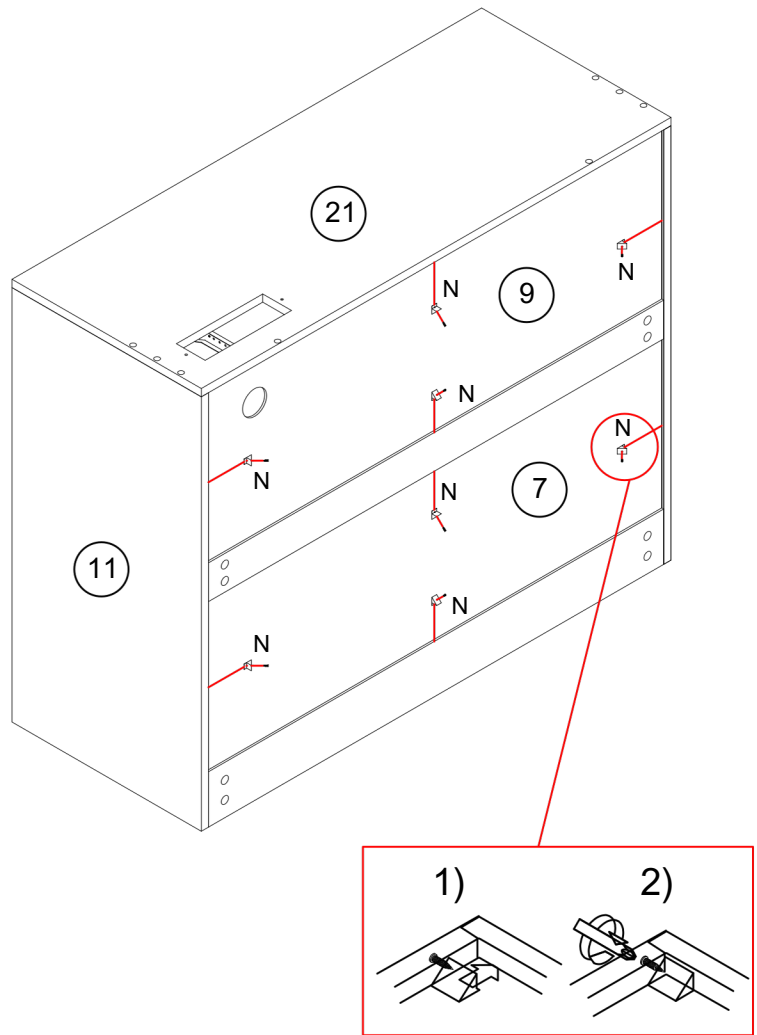
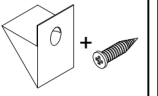
Step 25:

N 8PCS



Step 26:

N 8PCS

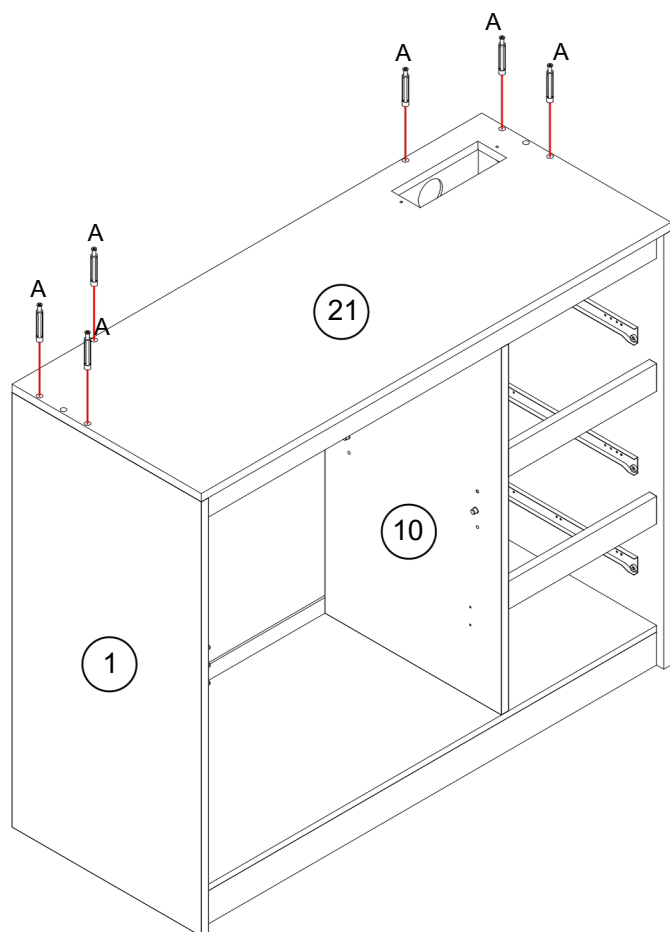


Step 27:

A 6PCS

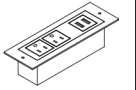


M6*40



Step 28:

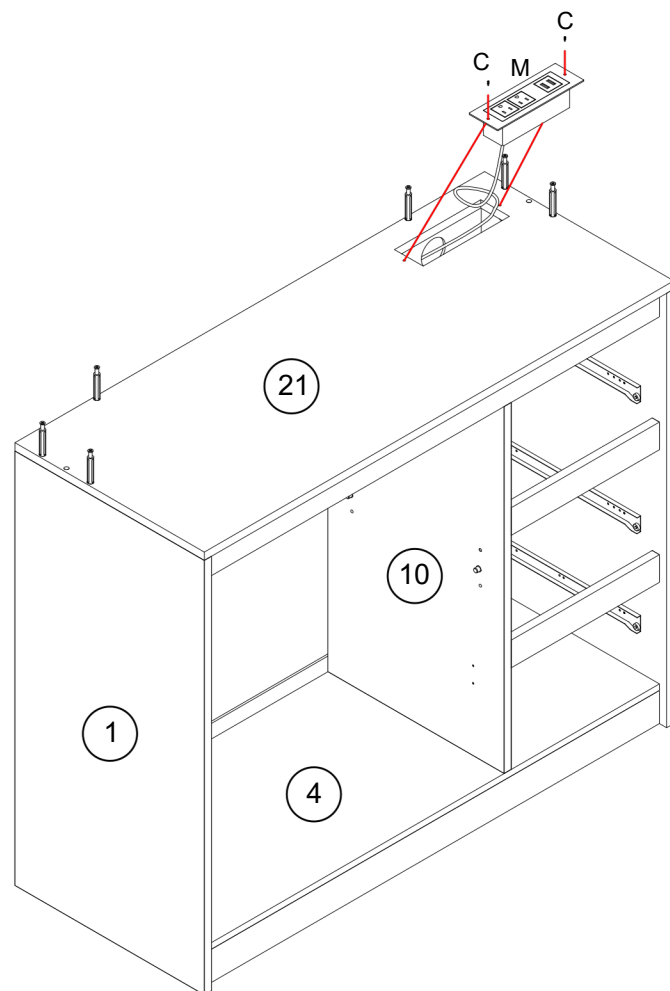
M 1PCS



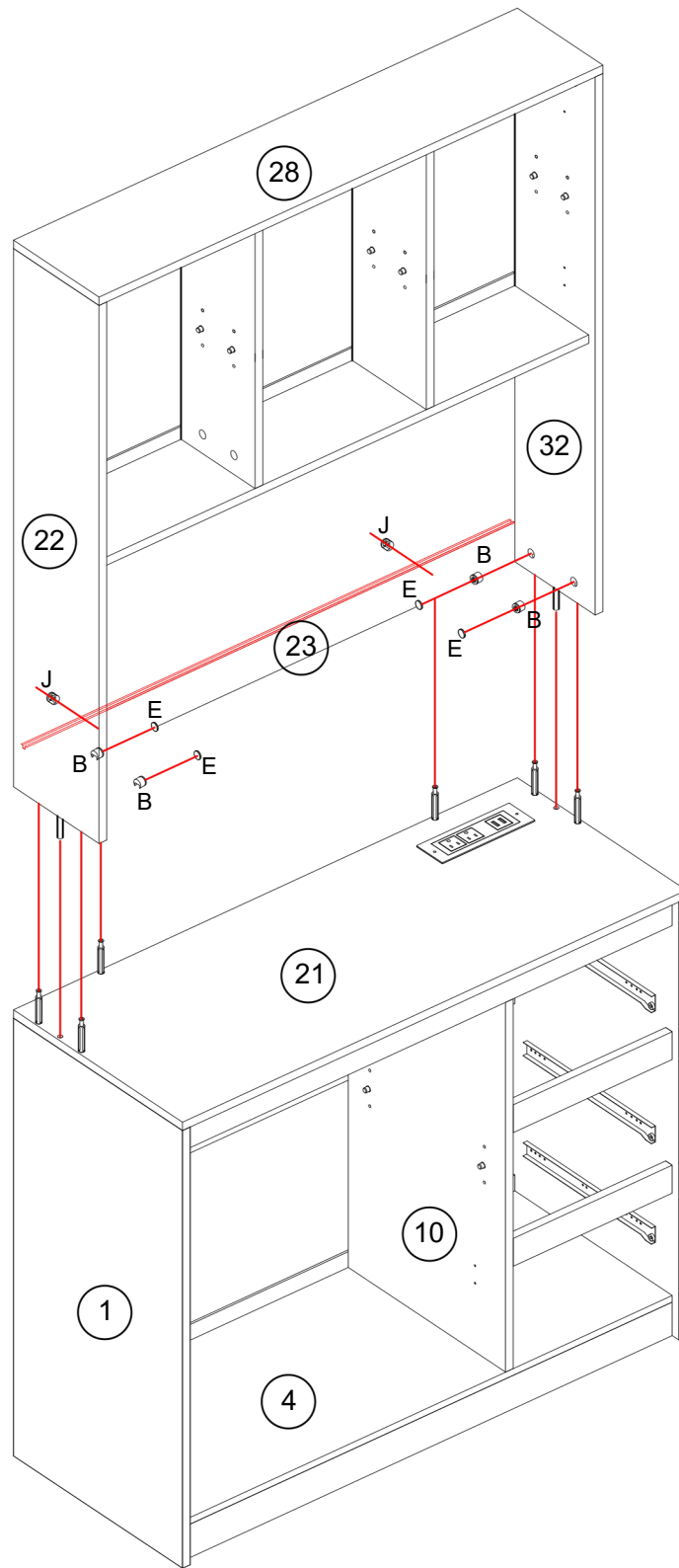
C 2PCS






M3*12

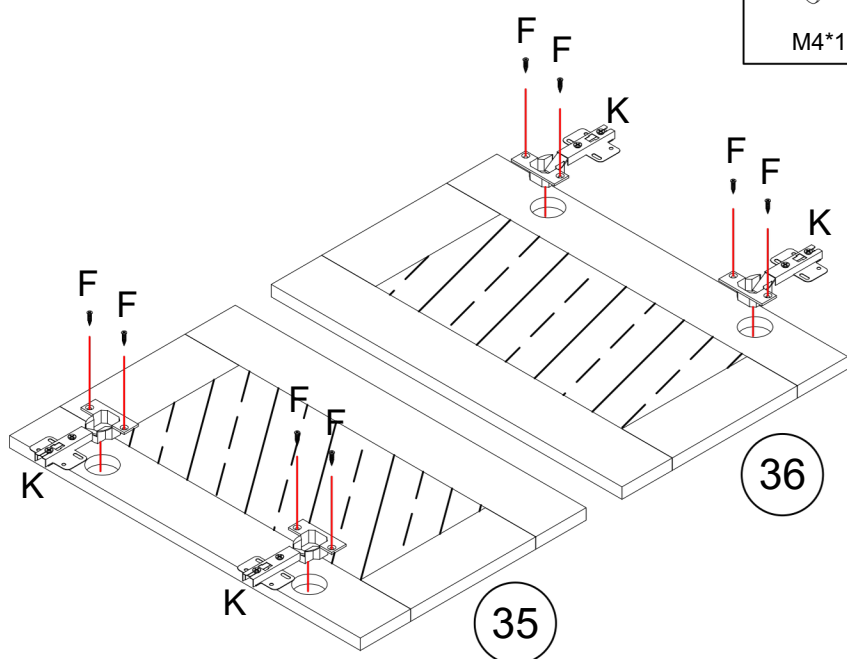


Step 29:



B	4PCS
	ø15*12
J	2PCS
	ø15*9
E	4PCS
	

Step 30:



K 4PCS

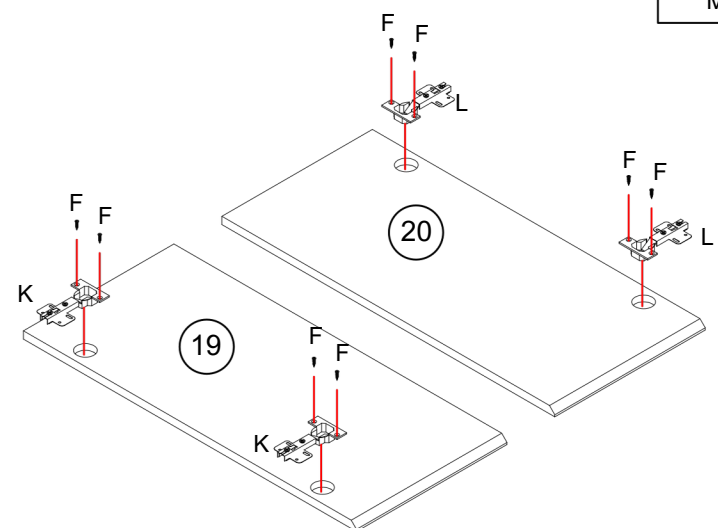


F 8PCS



M4*16

Step 31:



K 2PCS



L 2PCS



F 8PCS



M4*16

Step 32:

G 12PCS



M5*40

Step 33:

A 12PCS



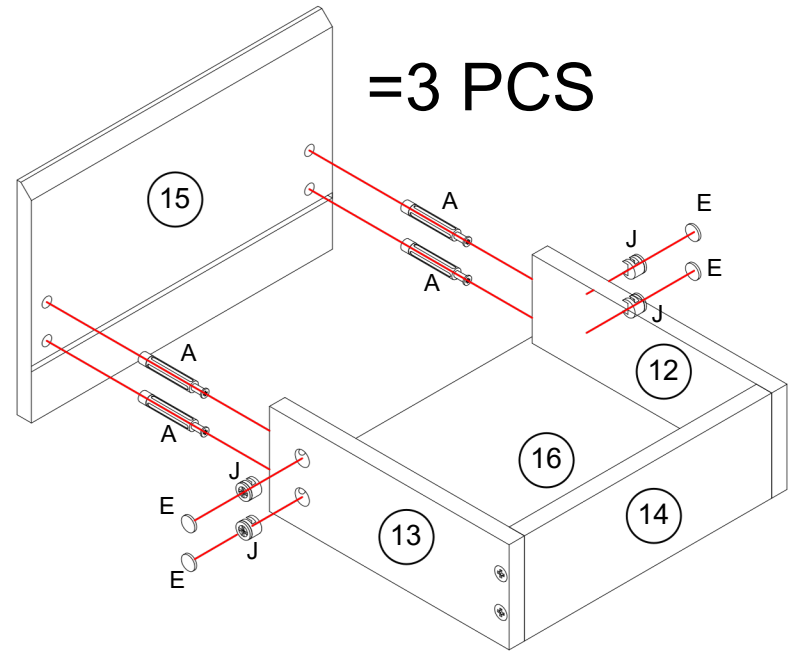
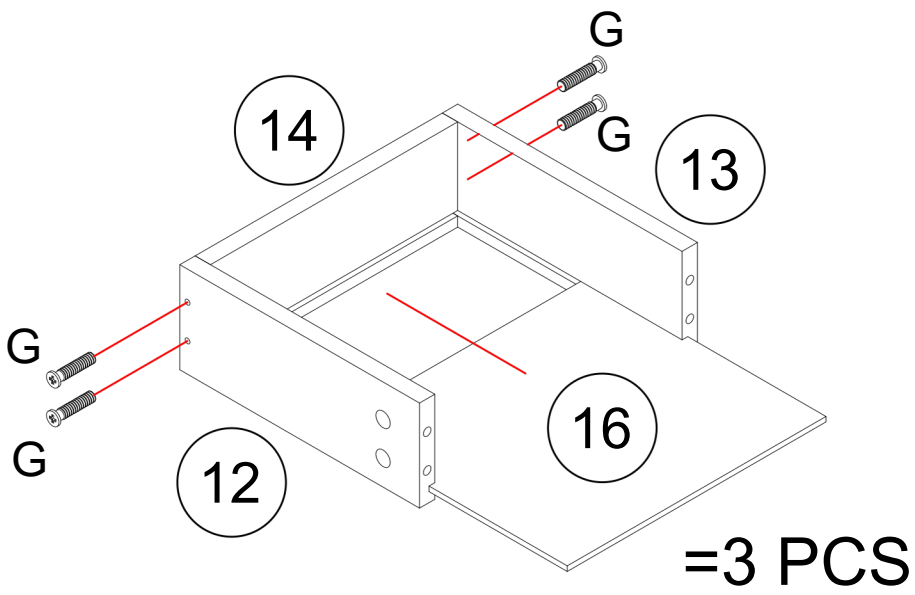
M6*40

J 12PCS



ø15*9

E 12PCS



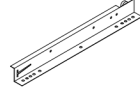
Step 34:

C 12PCS

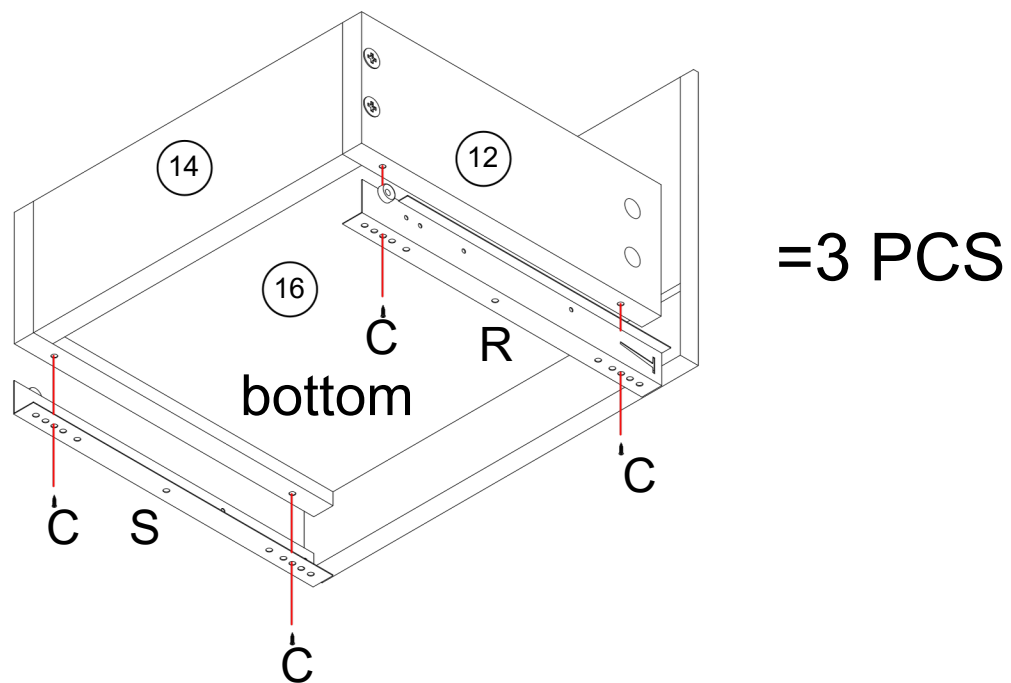
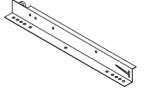


M3*12

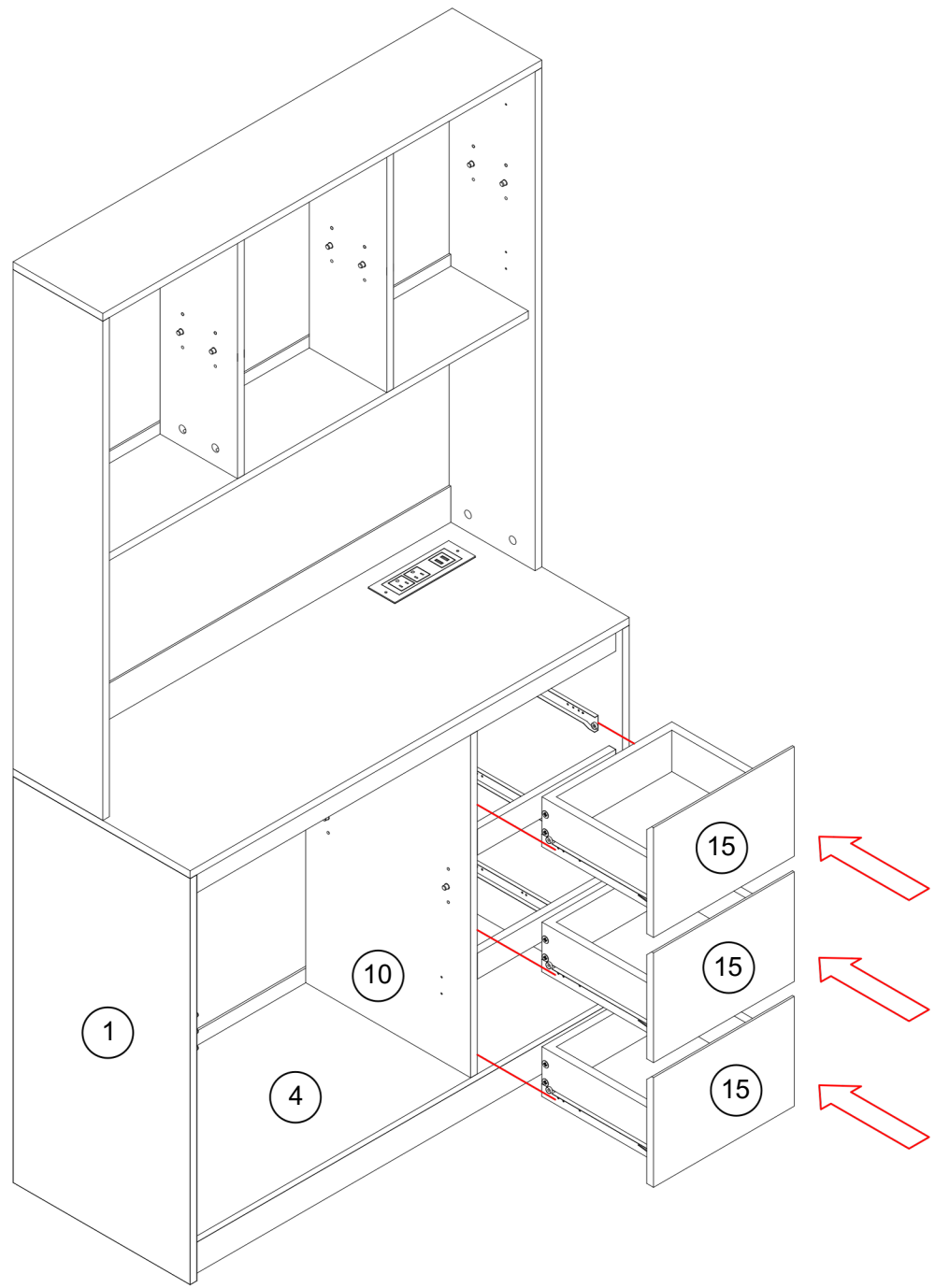
R 3PCS



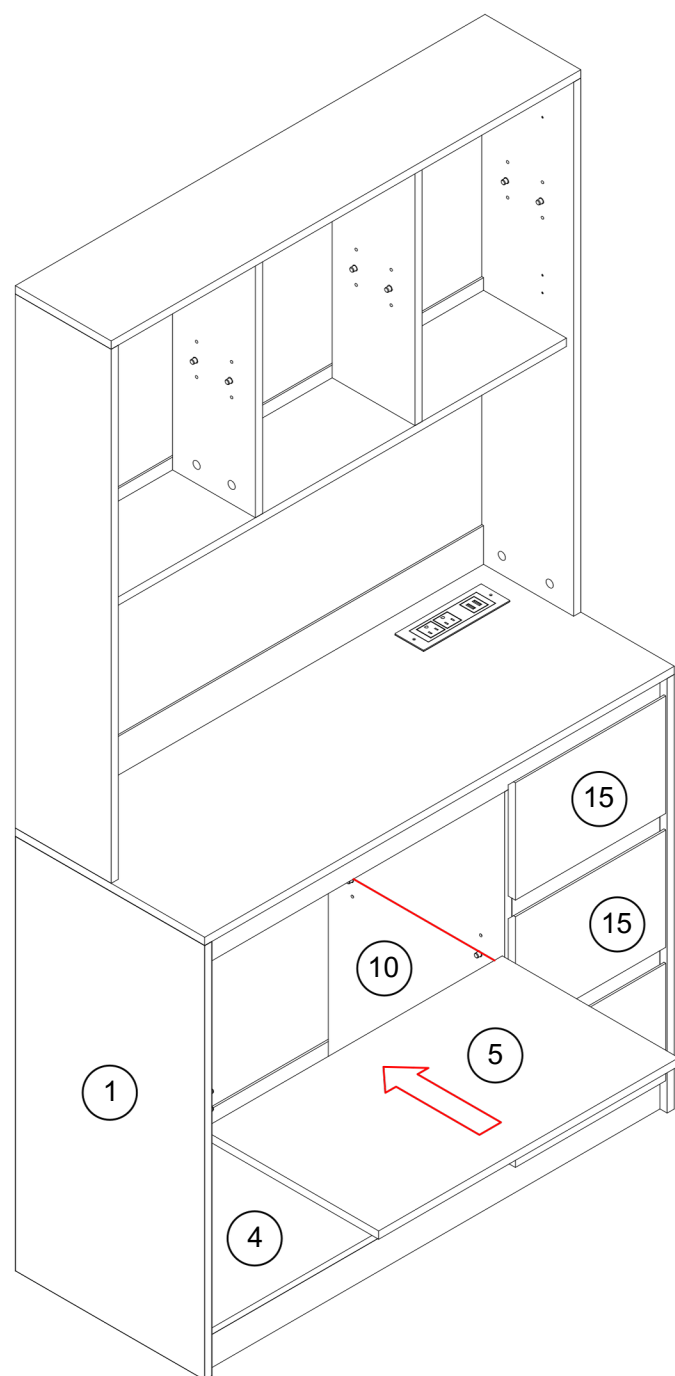
S 3PCS



Step 35:



Step 36:

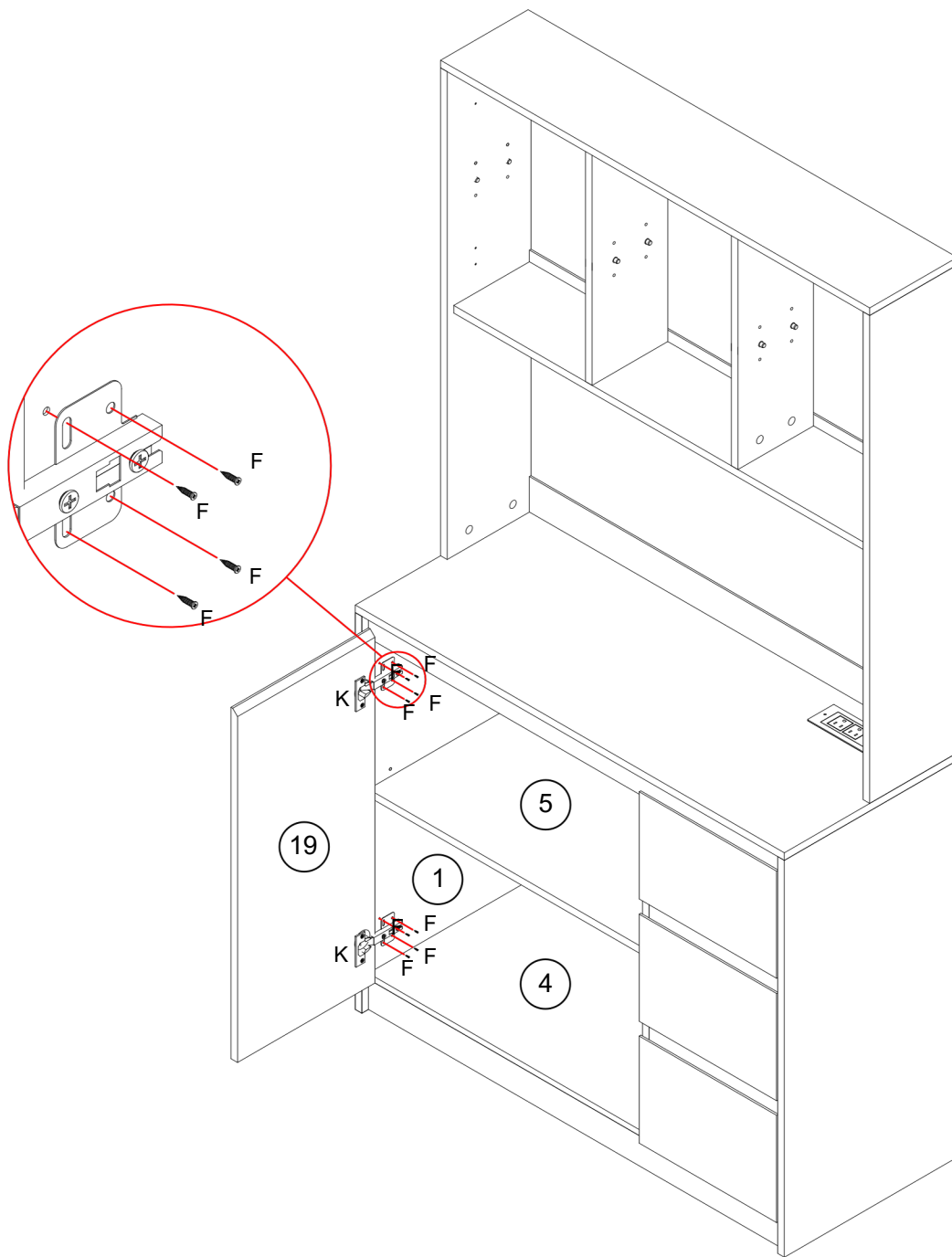


Step 37:

F 8PCS



M4*16

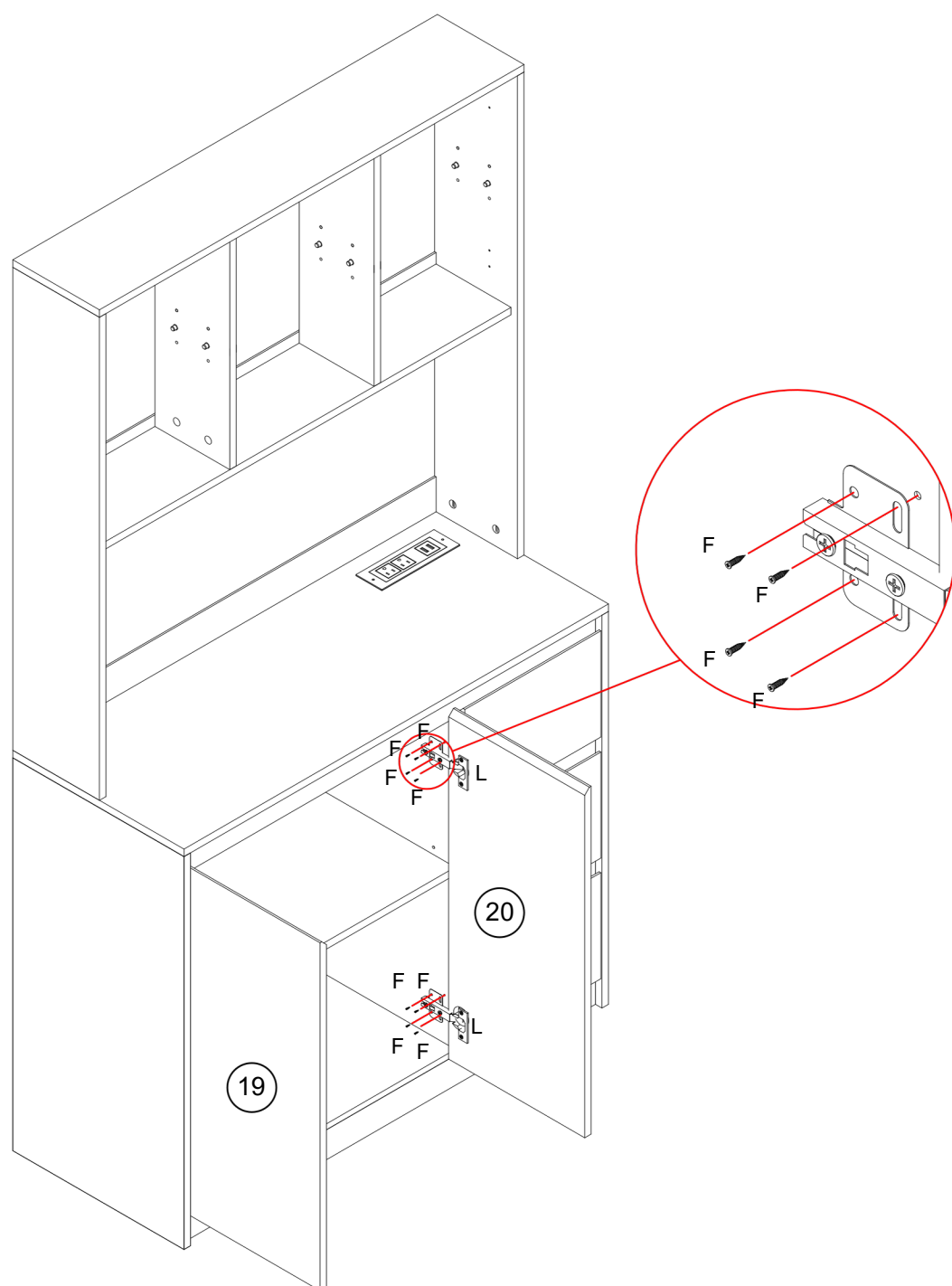


Step 38:

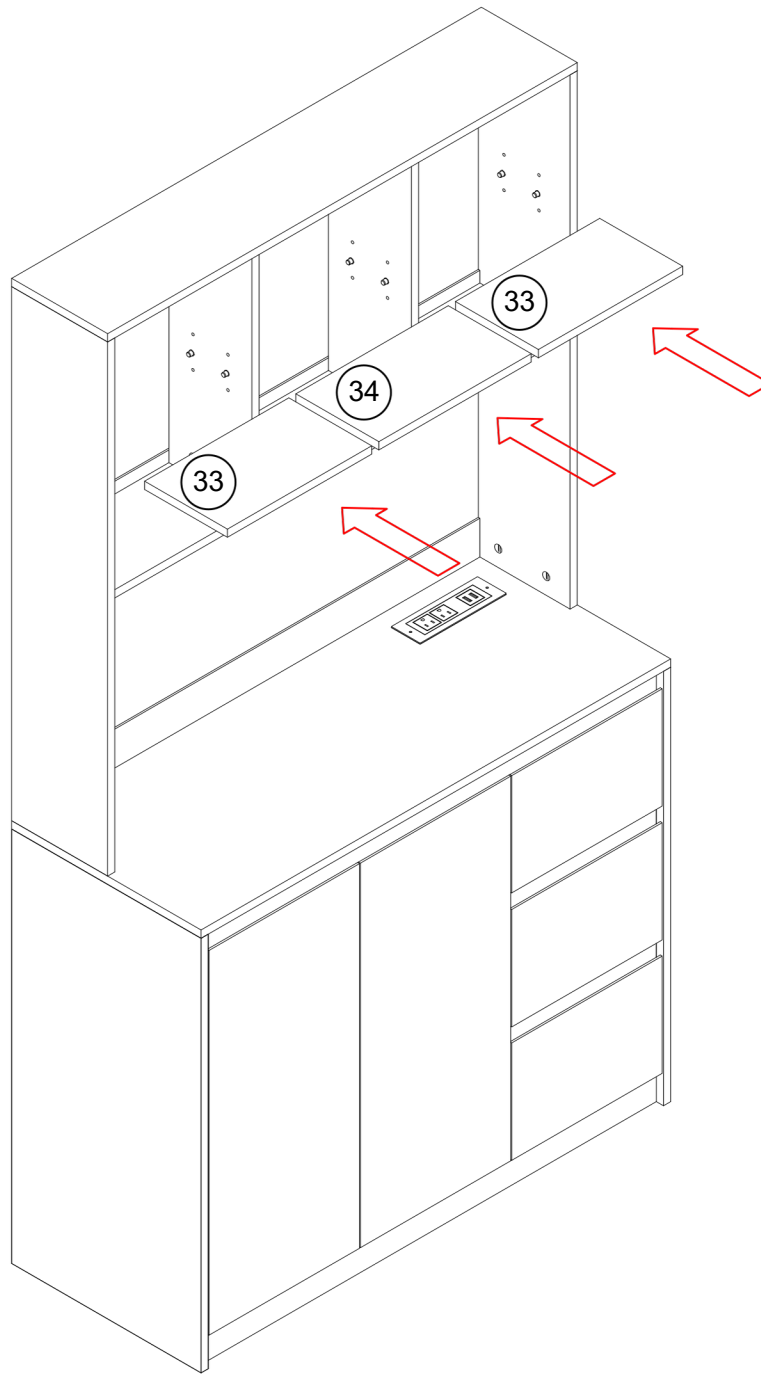
F 8PCS



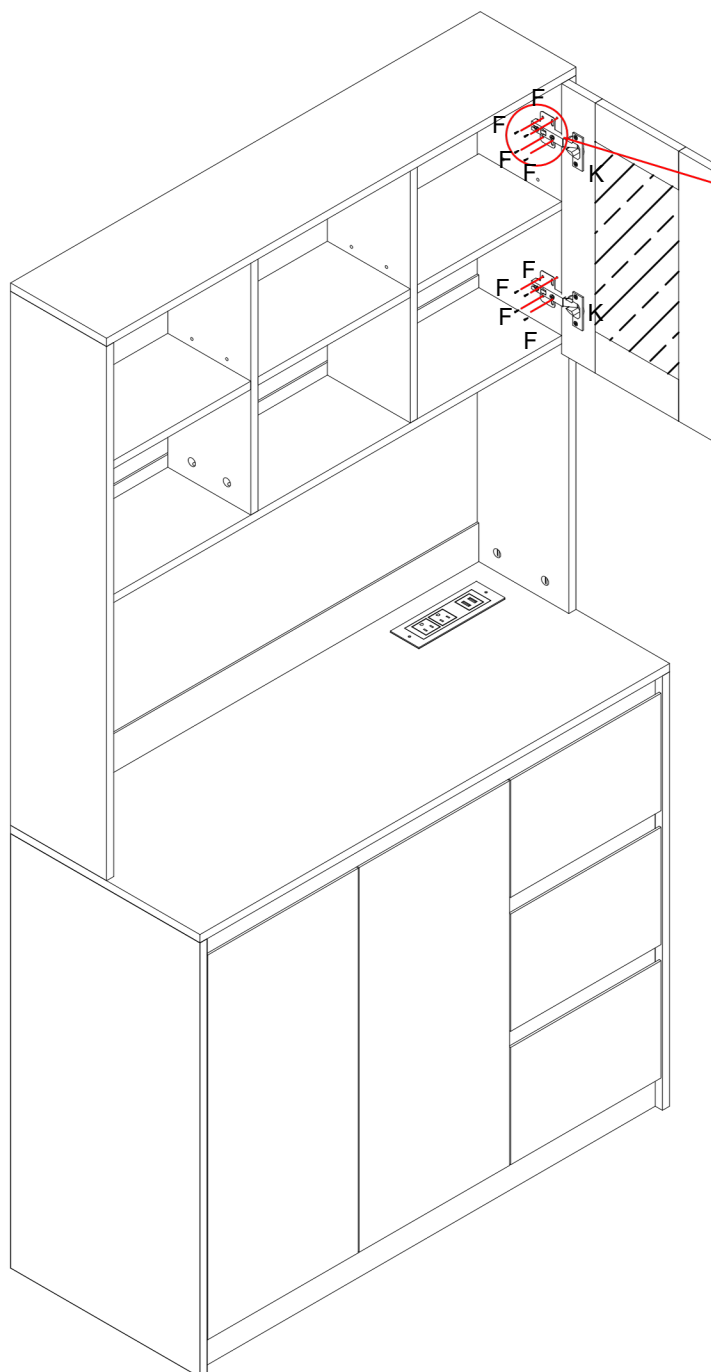
M4*16



Step 39:



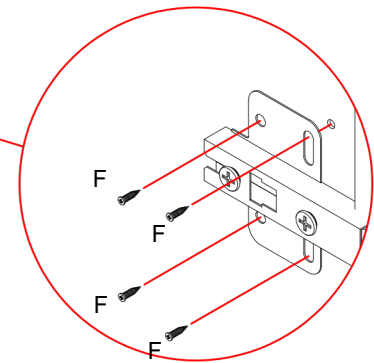
Step 40:



F 8PCS

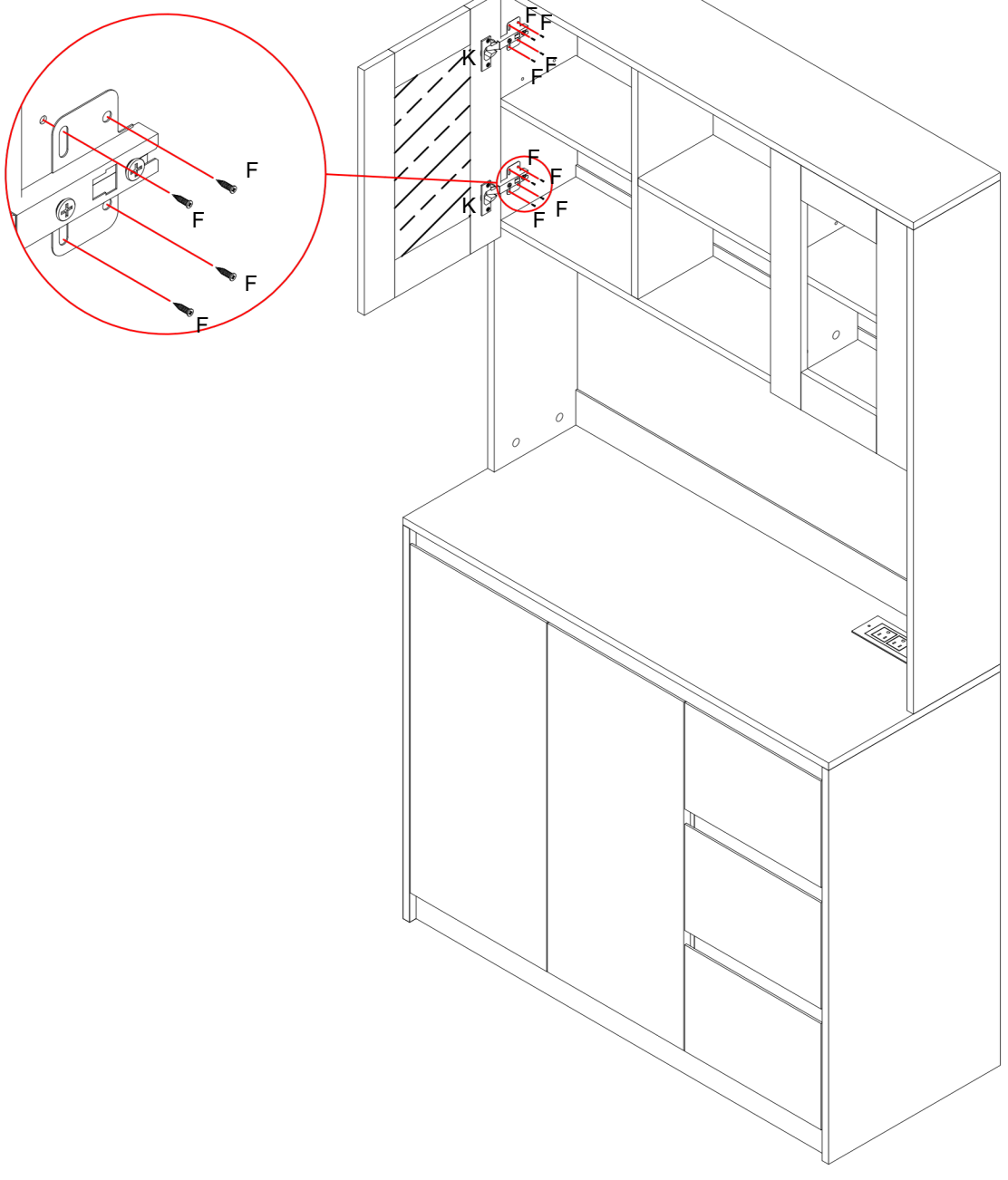


M4*16



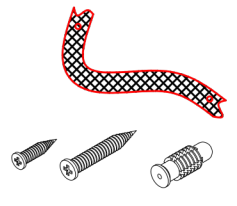
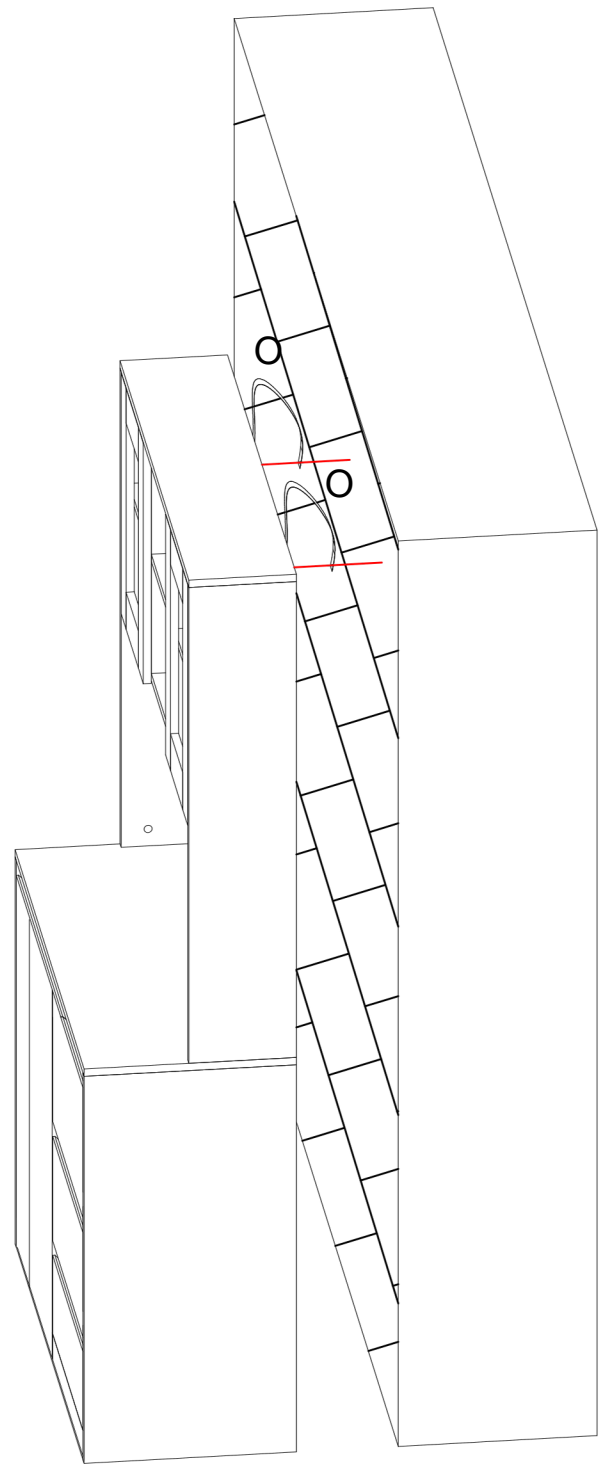
Step 41:

F 8PCS
M4*16



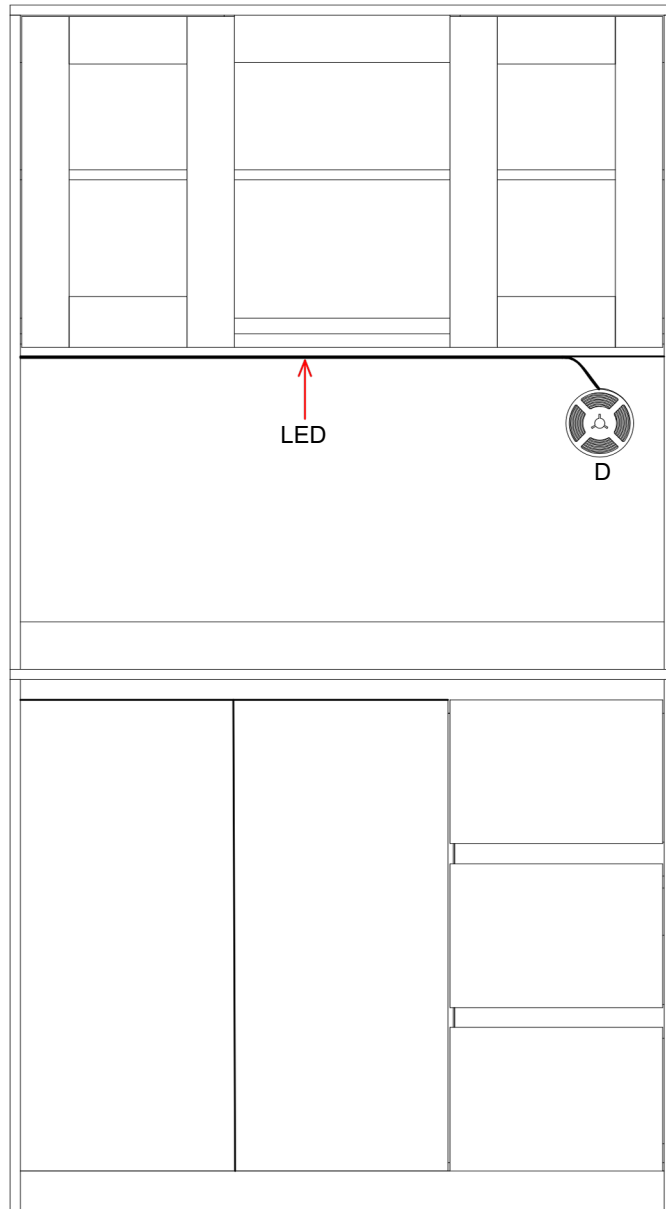
Step 42:

O 2PCS

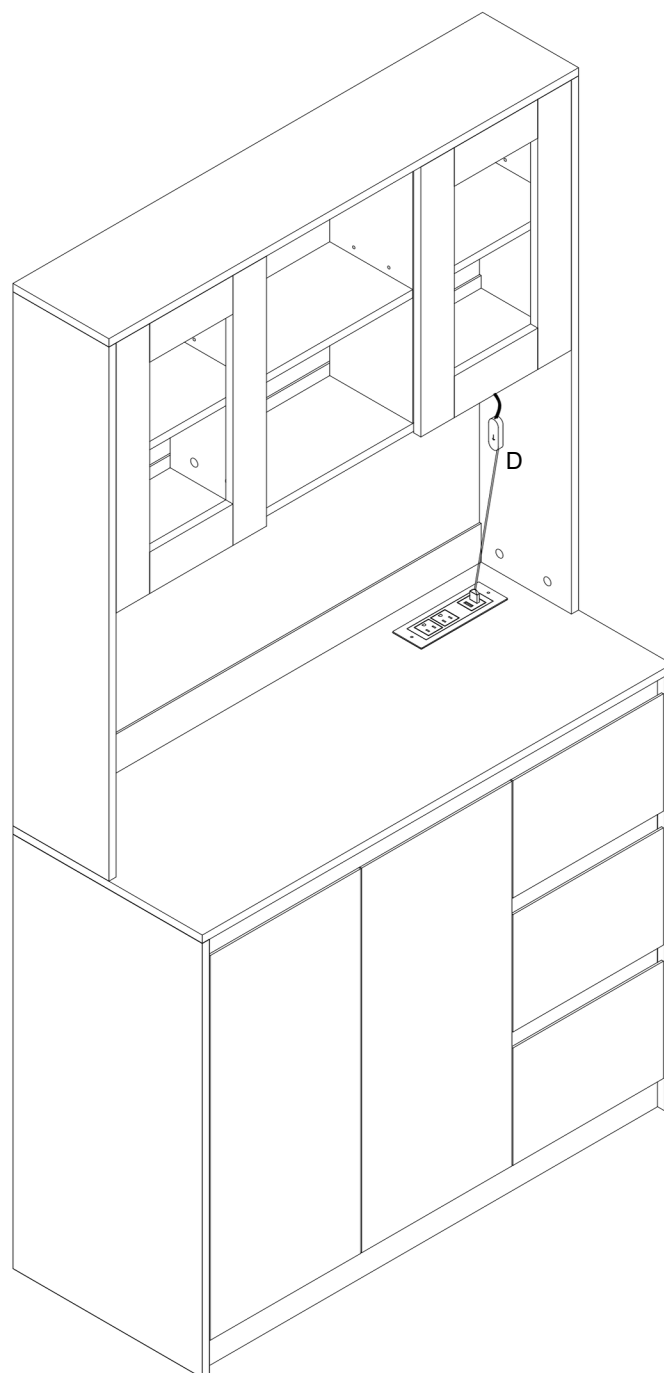


Step 43:

D 1PCS



Step 44:



OK!

Note:
Please check and tighten all screws!

IMPORTANT SAFETY INFORMATION

Please carefully read the instructions and caution warnings below before assembling the product. Following this guide will ensure that you install, use and maintain the product properly.

- Please keep this installation and user manual/instructions for future reference in case you need to assemble the product.
- Do not assemble if you notice serious damage such as cracks or bends.
- During installation, please use work gloves for hand safety.
- Please assemble the unit on carpeted floor or the flat cardboard box to avoid scratching the surface or your floor while assembling on the floor.
- To assemble, please use the complimentary installation tools (Allen Wrench). Pay more attention to the direction of components at each steps.
- It is recommended that two people work together to assemble the product.
- Please do not tighten the screws up too much, just to 80% before you finish to make the installation go on successfully.

RETURN POLICY

We believe you will absolutely love your new product. But for some reason you want to return your item, please contact us within 30 days after receiving and ensure that the product which you want to return is in a good condition in the original box with all original certificates of purchase, manuals and accessories attached.

HOW TO MAINTAIN YOUR PRODUCT:

- Check the screws of the product are not loose from regular use.
- Do not use sharp instruments, rubbing alcohol, corrosive chemicals, or abrasive cleaners to clean the product.
- Do not keep the product in a damp environment for a long period of time. The damp environment may cause the iron components to rust and the plates to bulge and crack.

CAUTIONS!

