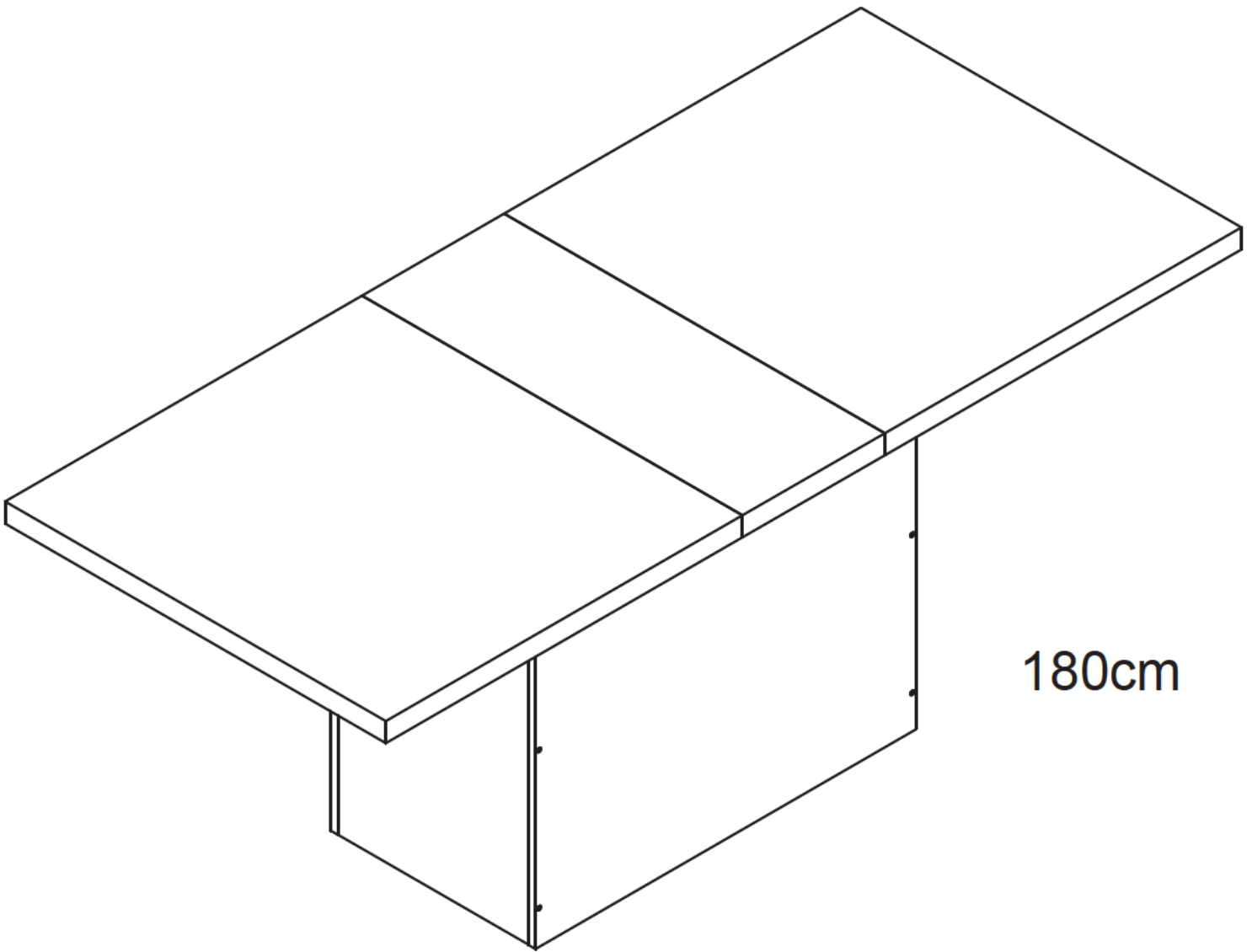


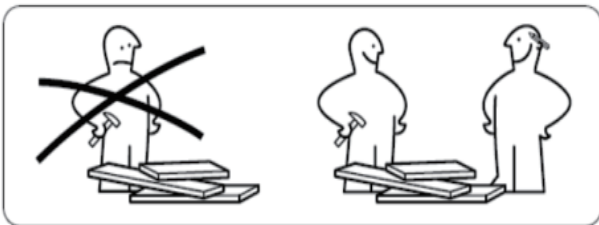
ASSEMBLY INSTRUCTION

Dining Table

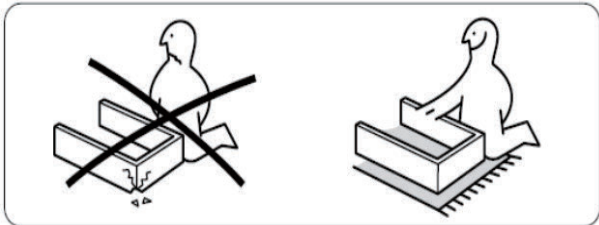


ASSEMBLY TIPS

1. Please read the Assembly Instruction first and become familiar with the parts.
2. Proper assembly of this item requires 2 people.



3. Unpack and assemble this unit in an spacious area, assemble the unit on top of the empty carton or carpet to prevent scratches.



4. To avoid accidentally discarding small parts or hardware, DO NOT dispose of any contents until assembly is completed.
5. **Do not fully tighten all bolts until all parts are in place.** Failure to follow these instructions may cause the bolts to misalign during assembly.

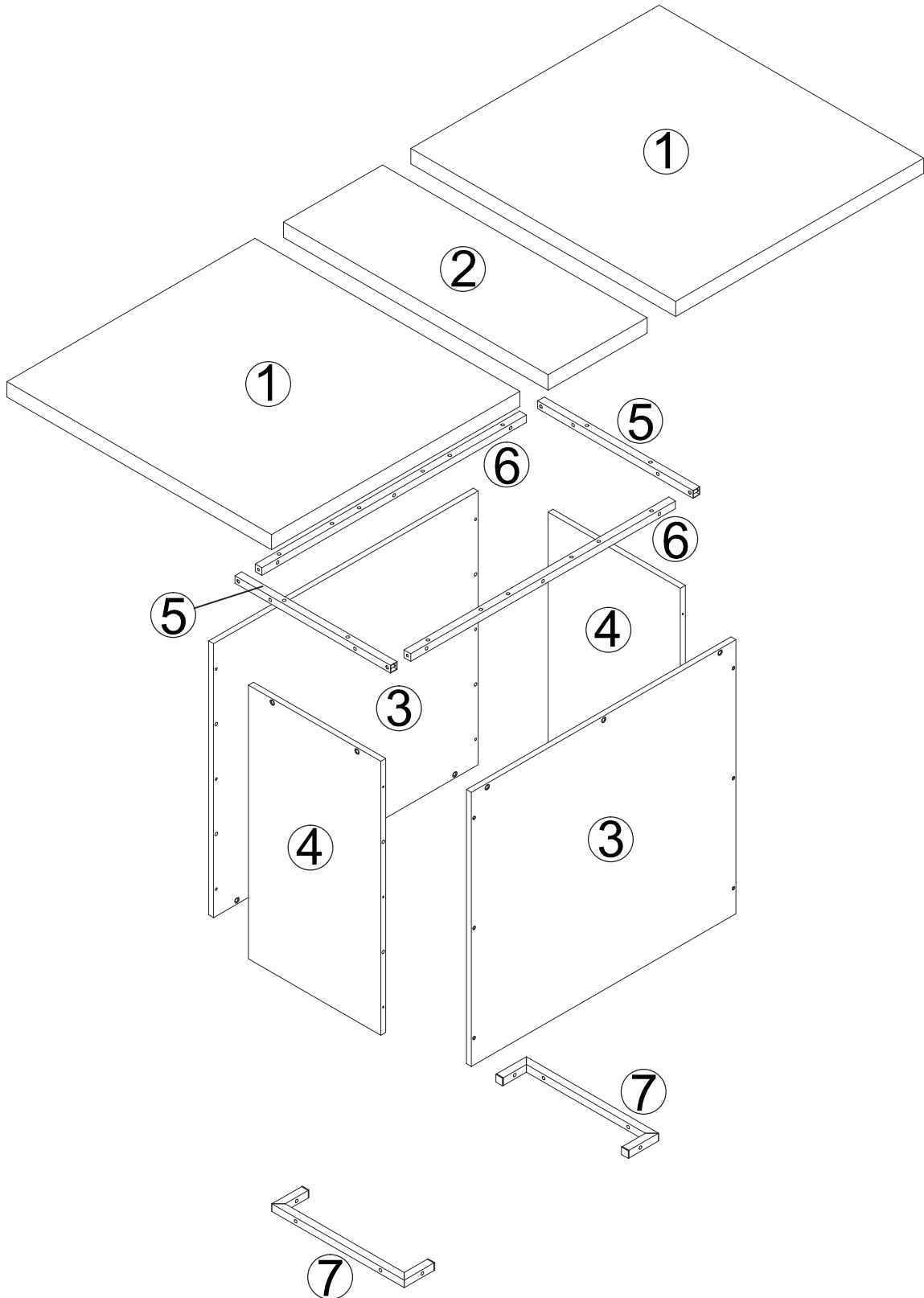
CARE INSTRUCTIONS

- (1) Hardware may loosen overtime. Periodically check that all connections are tight.
- (2) Wipe with a soft, dry cloth. To protect finish, avoid the use of chemicals and household cleaners.
- (3) All hot serving dishes should be placed on a pad.
- (4) Any liquid spilled onto the furniture should be cleaned up immediately with a dry cloth.


Part Identification

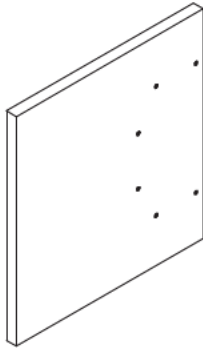
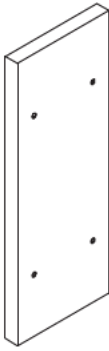
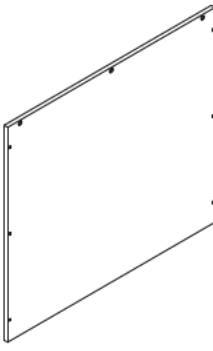
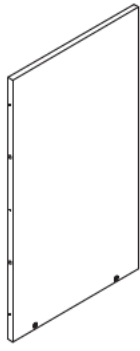
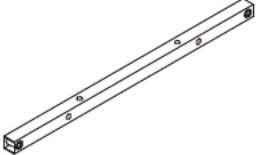
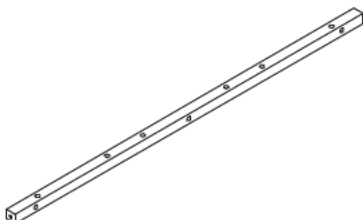
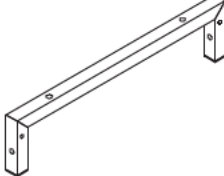
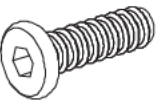
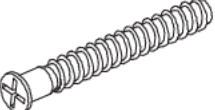
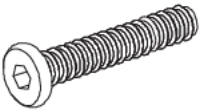
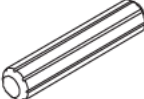


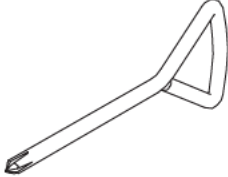
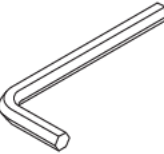

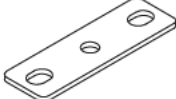


While not all parts are labeled, some of the parts will have a label to help distinguish similar parts from each other. Use this part identification to help identify similar parts.



Part Identification

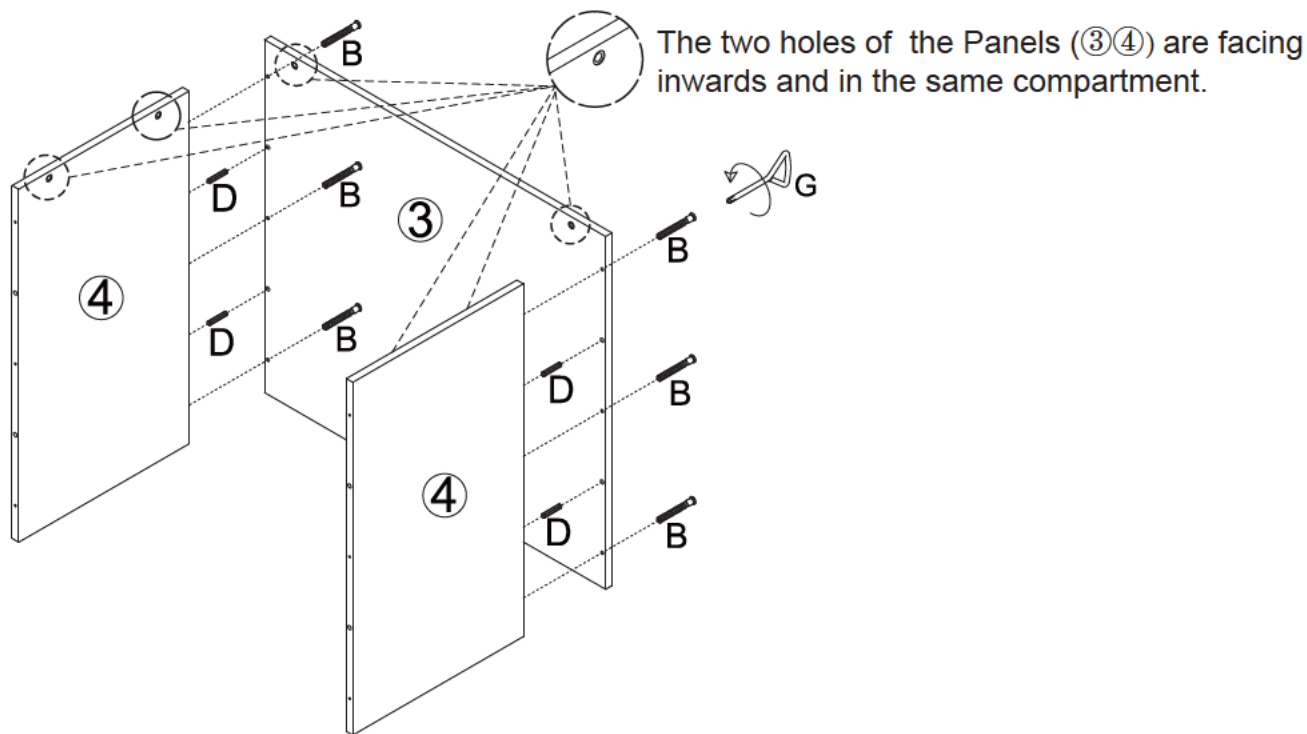
 While not all parts are labeled, some of the parts will have a label to help distinguish similar parts from each other. Use this part identification to help identify similar parts.

<p>①</p>  <p>Side Desktop 2 PCS</p>	<p>②</p>  <p>Middle Desktop 1 PC</p>	<p>③</p>  <p>Big Panel 2 PCS</p>	<p>④</p>  <p>Small Panel 2 PCS</p>	
<p>⑤</p>  <p>Short Metal Tube 2 PCS</p>	<p>⑥</p>  <p>Long Metal Tube 2 PCS</p>	<p>⑦</p>  <p>U-Shaped Metal Tube 2 PCS</p>		
<p>A</p>  <p>Medium Bolt M6*30 18 PCS</p>	<p>B</p>  <p>Panel Screw M5*40 12 PCS</p>	<p>C</p>  <p>X-Long Bolt M6*40 4 PCS</p>	<p>D</p>  <p>Wood Dowel Φ8*30 8 PCS</p>	<p>E</p>  <p>Leveler 4 PCS</p>
<p>F</p>  <p>Long Bolt M6*35 16 PCS</p>	<p>G</p>  <p>Screwdriver 1 PC</p>	<p>H</p>  <p>Allen Key 1 PC</p>	<p>I</p>  <p>Short Bolt M6*15 8PCS</p>	<p>J</p>  <p>Flat Bracket 4PCS</p>

Step 01

NOTE: DO NOT fully tighten all bolts at this step.
Product support email: jackye@hshfurniture.NET

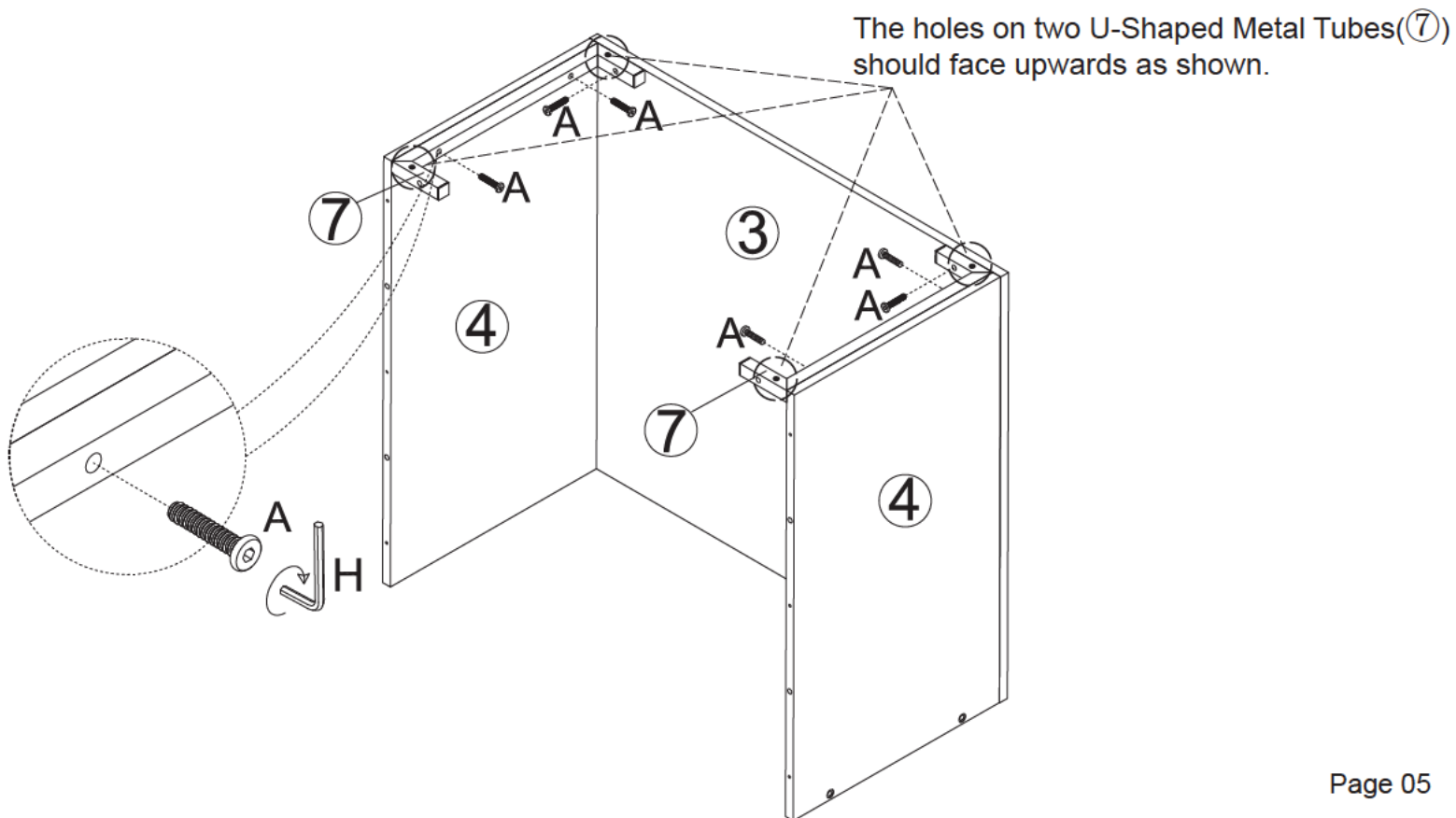
- 1 Insert four Wood Dowels (D) into the holes on the one side of two Small Panels (④). Connect and fasten one Big Panel (③) to two Small Panels (④) with six Panel Screws (B) by Screwdriver (G). Please note that using correct screws, or the board might be damaged.



Step 02

NOTE: DO NOT fully tighten all bolts at this step.
Product support email: jackye@hshfurniture.NET

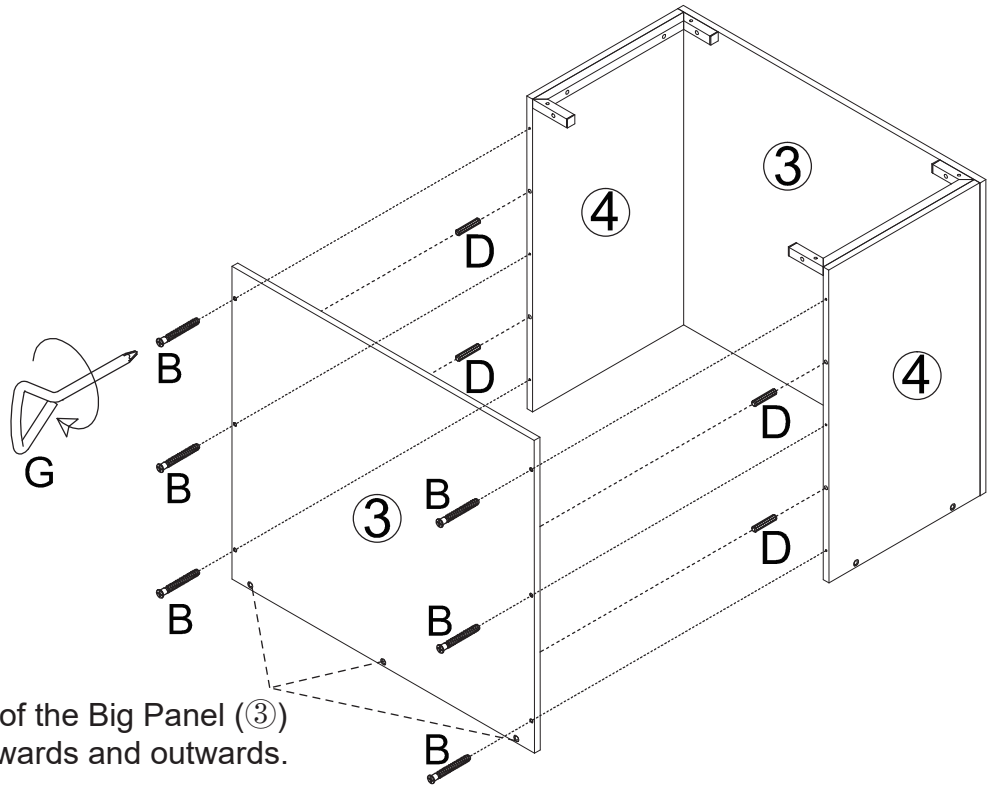
- 2 Attach and fasten two U-Shaped Metal Tubes (⑦) to two Small Panels (④) and Big Panel (③) with six Medium Bolts (A) by Allen Key (H). Please noted that the holes on two U-Shaped Metal Tubes (⑦) should face upwards as shown



Step 03

NOTE: DO NOT fully tighten all bolts at this step.
Product support email: jackye@hshfurniture.NET

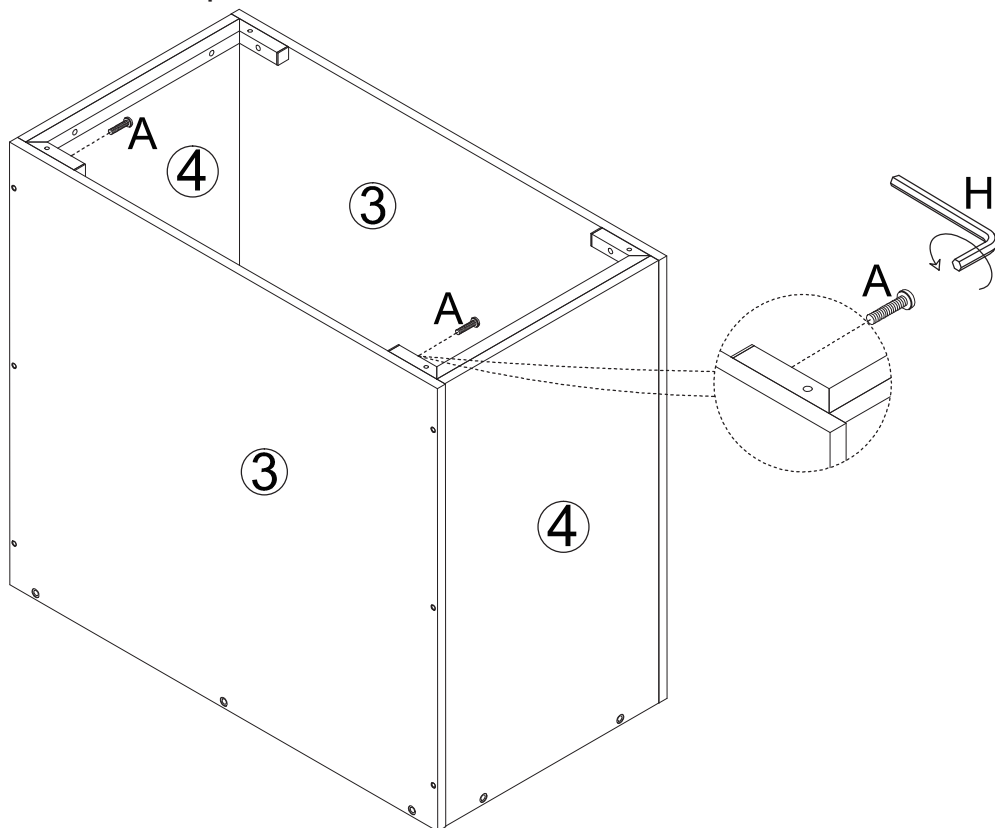
- 3 Insert four Wood Dowels (D) into the holes of two Small Panels (④). Connect and fasten the other Big Panel (③) to two Small Panels (④) with six Panel Screws (B) by Screwdriver (G). Please note that using correct screws, or the board might be damaged.



Step 04

NOTE: All bolts must be fully tightened at this step.
Product support email: jackye@hshfurniture.NET

- 4 Attach and fasten two U-Shaped Metal Tubes (⑦) to Big Panel (③) with two Medium Bolts (A) by Allen Key (H). Please note that using correct screws, or the board might be damaged and fully tighten all bolts and screws at this step.

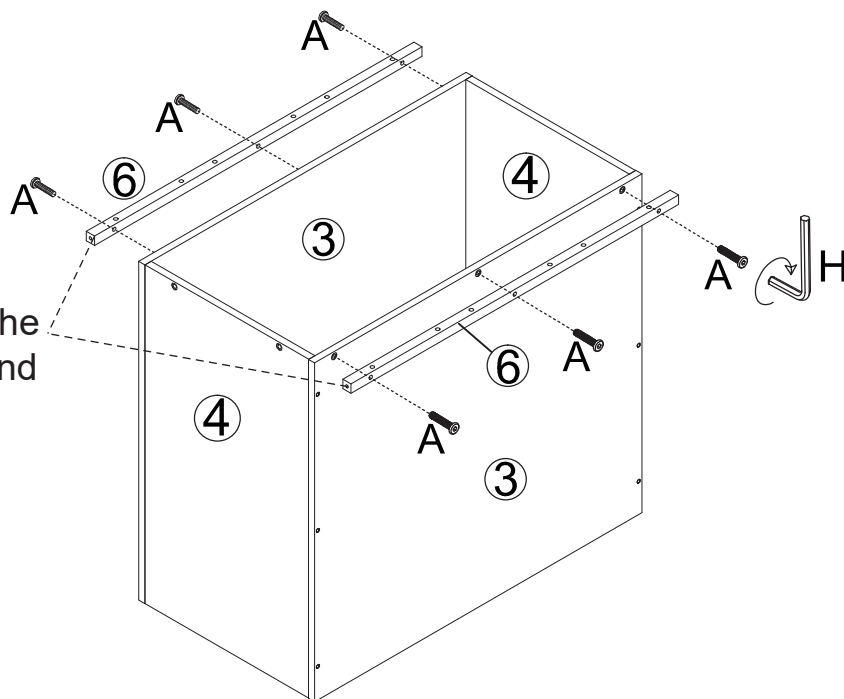


Step 05

NOTE: DO NOT fully tighten all bolts at this step.
Product support email: jackye@hshfurniture.NET

- 5.1 Flip the assembled base by 180 degrees.
- 5.2 Attach and fasten two Long Metal Tubes (⑥) to two Big Panels (③) with six Medium Bolts (A) by Allen Key (H). Make sure the three and six holes on the tubes are facing outwards and upwards respectively.
Please note that using correct screws, or the board might be damaged.

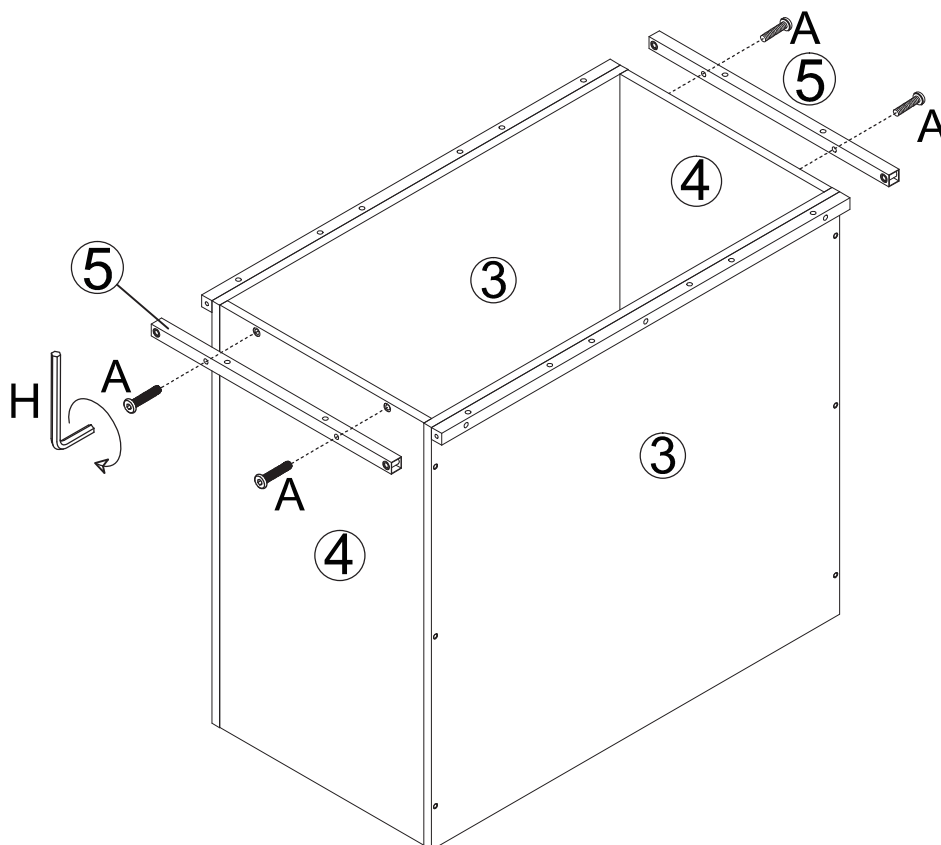
The three and six holes on the tubes are facing outwards and upwards respectively.



Step 06

NOTE: DO NOT fully tighten all bolts at this step.
Product support email: jackye@hshfurniture.NET

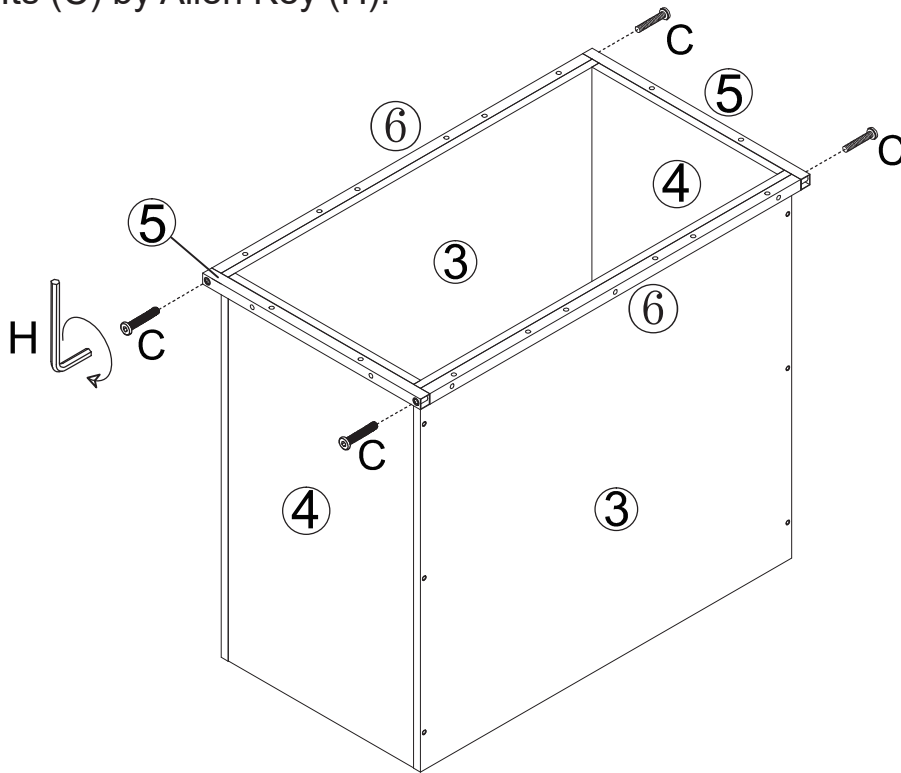
- 6 Attach and fasten two Short Metal Tubes (⑤) to two Small Panels (④) with four Medium Bolts (A) by Allen Key (H).
Please note that using correct screws, or the board might be damaged.



Step 07

NOTE: DO NOT fully tighten all bolts at this step.
Product support email: jackye@hshfurniture.NET

- 7 Connect and fasten two Short Metal Tubes (5) to two Long Metal Tubes (6) with four X-Long Bolts (C) by Allen Key (H).

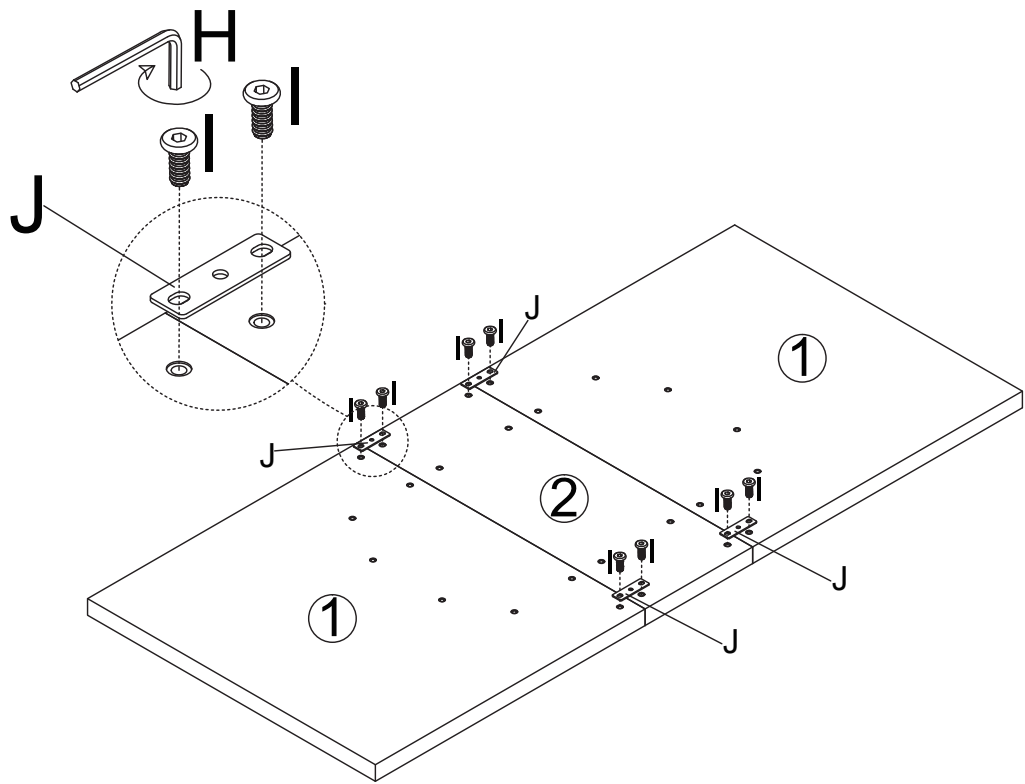


Step 08

NOTE: DO NOT fully tighten all bolts at this step.
Product support email: jackye@hshfurniture.NET

- 8 Lay two Side Desktops (1) and Middle Desktop (2) upside down onto a clean smooth surface such as carpet or cardboard. After aligning the Desktops, fasten four Flat Brackets (J) between the Side Desktops (1) and the Middle Desktop (2) with eight Short Bolts (I) using Allen Key (H).

Note : Align Desktops before tighten the bolts. Using the correct screws, or the board might be damaged .

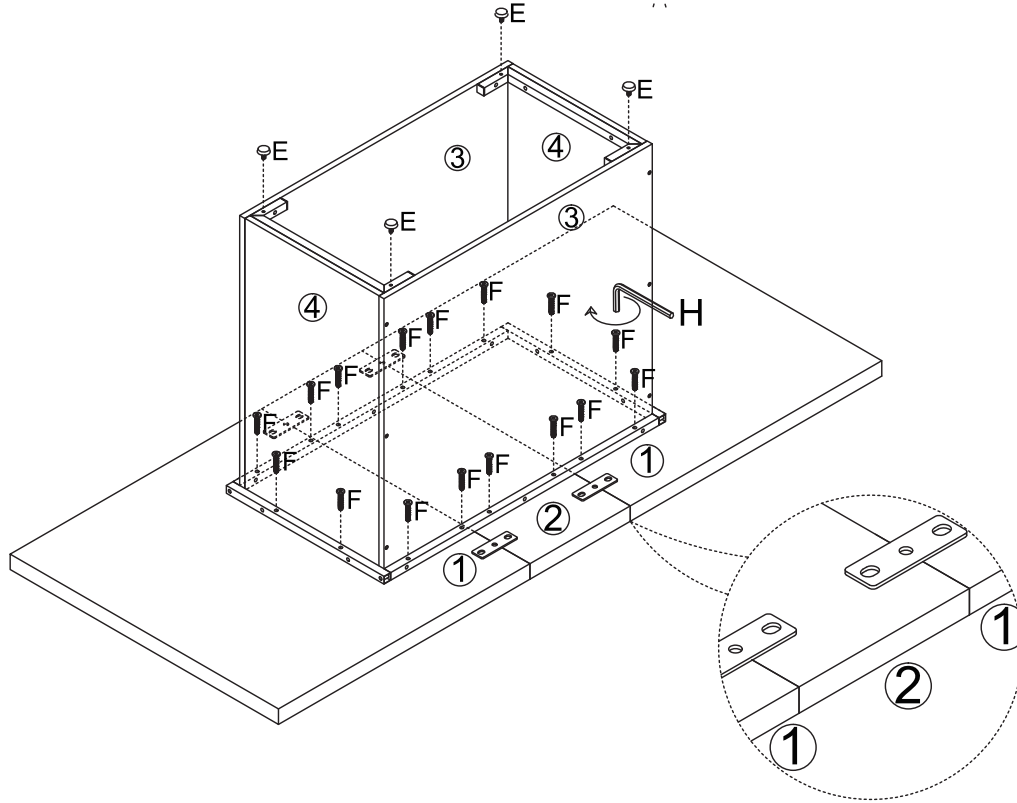


Step 09

NOTE: If holes don't align, loosen all bolts and adjust the holes slightly. After all holes are aligned, tighten all bolts.

- 9.1 Connect and fasten the pre-assembled base to three Desktops (①②) with 16 Long Bolts (F) by Allen Key (H). Please note that using correct screws, or the board might be damaged.
- 9.2 Fasten four Levelers (E) to the U-Shaped Metal Tubes (⑦). Adjust the levelers as needed for uneven flooring.

Note: After this step, tighten all bolts. If holes don't align, loosen all bolts and adjust the holes slightly. After all holes are aligned, fully tighten all bolts.

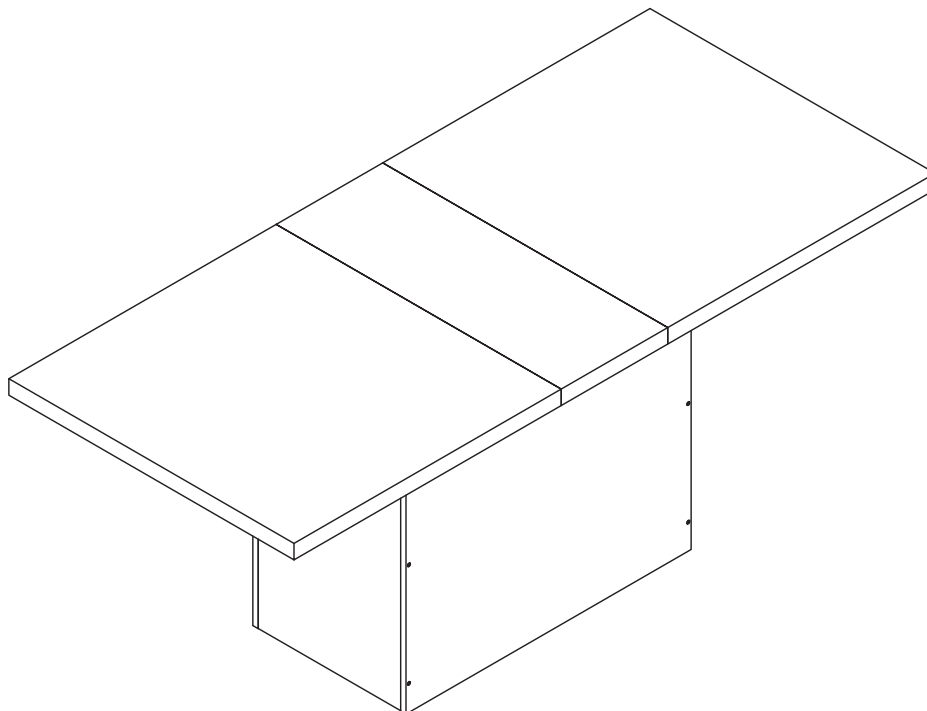


Align the Desktops before fully tighten all bolts.

Step 10

NOTE: All bolts must be fully tightened at this step.
Product support email: jackye@hshfurniture.NET

- 10 Flip the table upright with the help of another person.



Flip the desk upright with the help of another person.

This page was intentionally left blank.