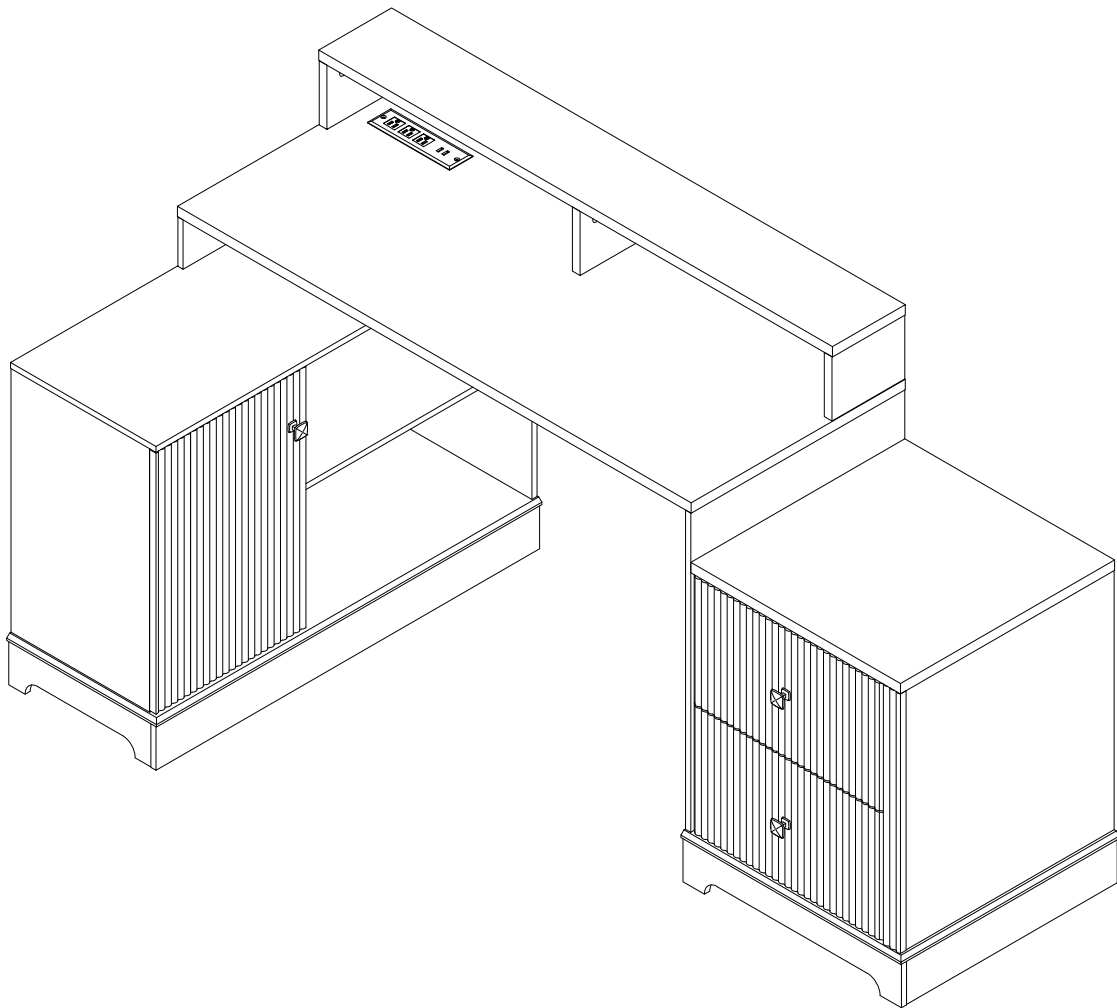


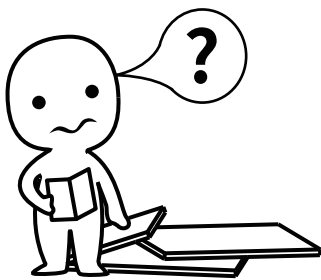
SKU:XW0022801
XW0022802

Product Manual



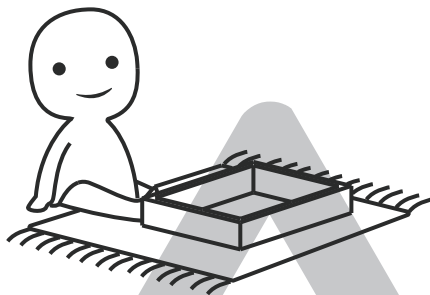
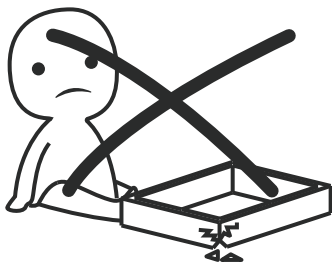
Note:

- 1.Please confirm that all parts are correct before assembly.
- 2.If you have Any questions, feel free to contact us.



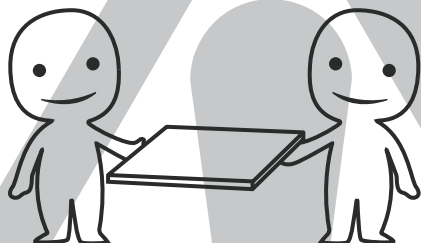
IMPORTANT INFORMATION!

please read the entire manual before starting to assemble and/or using this product. follow the manual thoroughly and keep it for further reference.



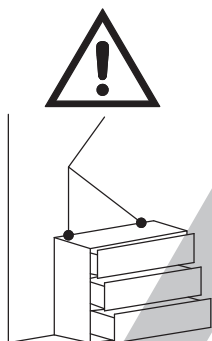
AVOID SCRATCHES!

To avoid scratching, assemble this furniture on a soft layer (e.g., rug).



IMPROVE EFFICIENCY !

Find a partner to help with installation. This will improve efficiency and save time.



ANTI-TOPPLE WARNING !

Overtipped furniture can cause serious or fatal crush injuries. To prevent tipping over, be sure to use the wall attachment, if not included with this product. Please purchase the wall attachment that fits your wall. If unsure, seek professional advice. Please read and follow each step of the instructions carefully.

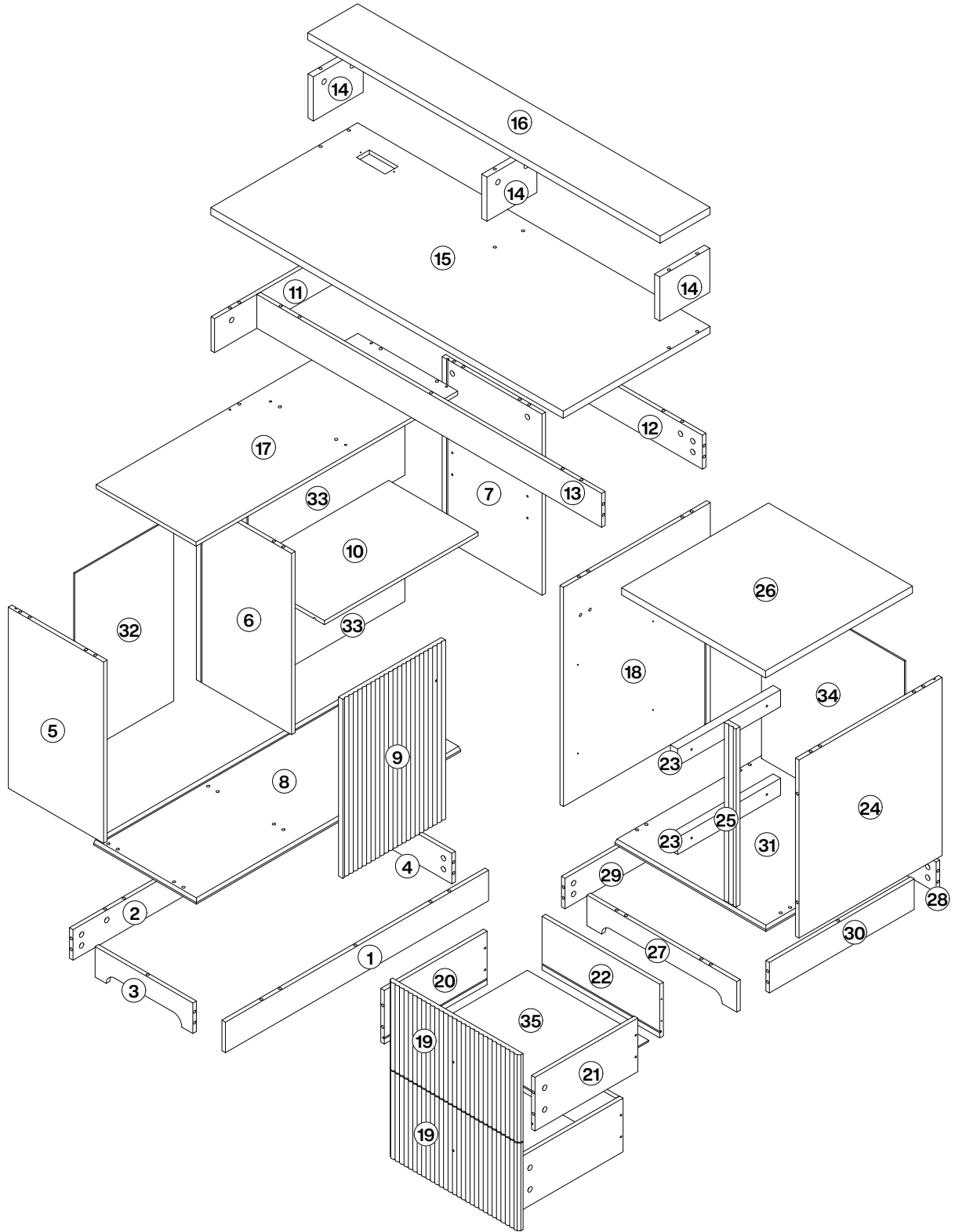
IMPORTANT !

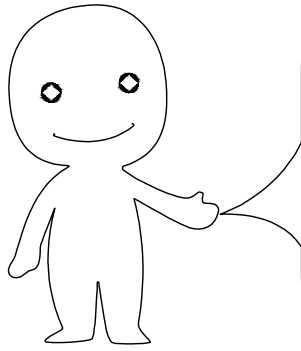
It is important that any product which is assembled using any kind of screw is re-tightened 2 weeks after assembly, and once every 3 months - in order to assure stability throughout the lifespan of the product.

For regular maintenance and cleaning of the product, for the frame, please use a rag dipped in neutral detergent to fully wipe it, and then dry it with a clean rag. For glass materials, wipe with a rag dampened with glass cleaner diluted with water, and then dry with a dry rag.

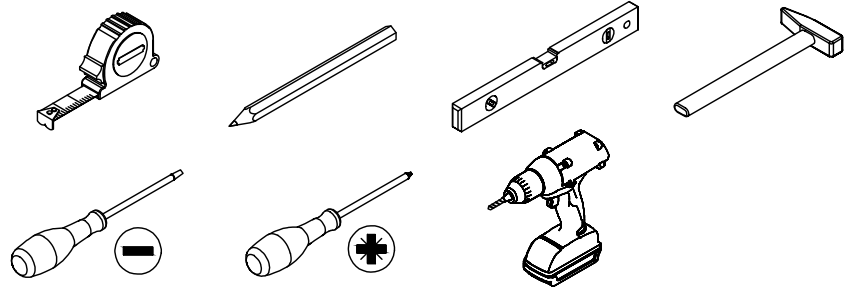
Do not use an electric screwdriver, and do not use too much force when installing, because the board is easy to break.

Note: Make sure you get screws lined up with the predrilled holes before you tighten all screws during installation.



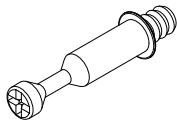


Please prepare the following tools



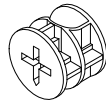
When installing, please carefully confirm whether each screw corresponds to the manual. Accessories with similar shapes can be distinguished by their size

A x 72



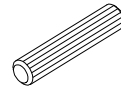
M6*35mm

B x 72



Ø15*9.5mm

C x 42



Ø8*30mm

D x 28



Ø3.5*12mm

E x 32



Ø4*35mm

F x 4



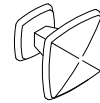
Ø4*30mm

G x 3



M4*20mm

H x 3

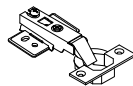


J x 20

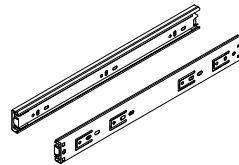


Ø3*16mm

K x 2

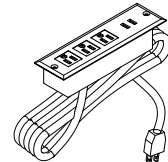


L x 2



14"

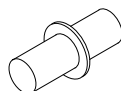
M x 1



N x 18



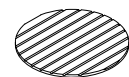
P x 4



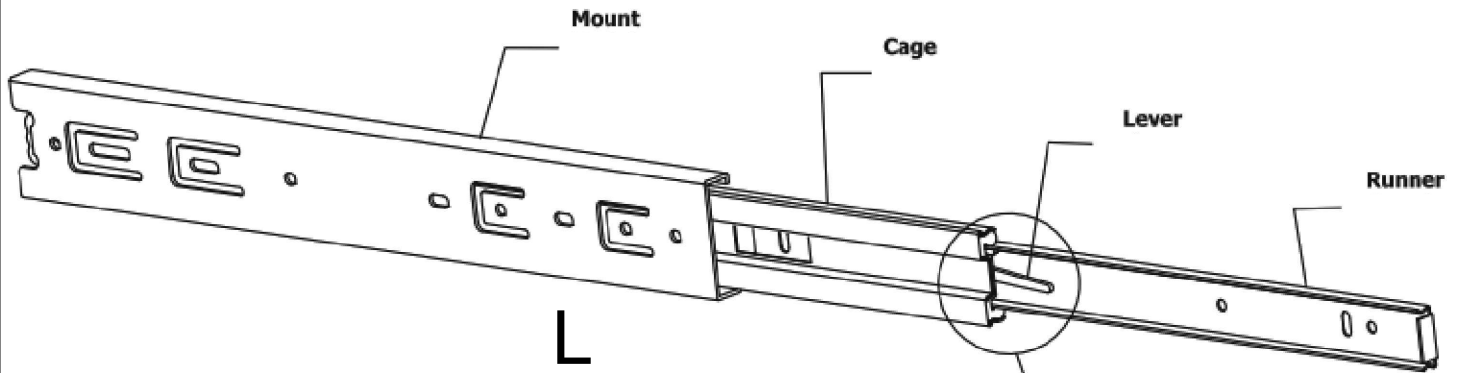
Q x 16



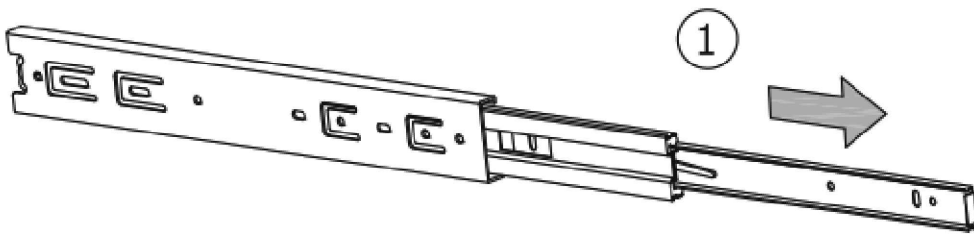
R x 30



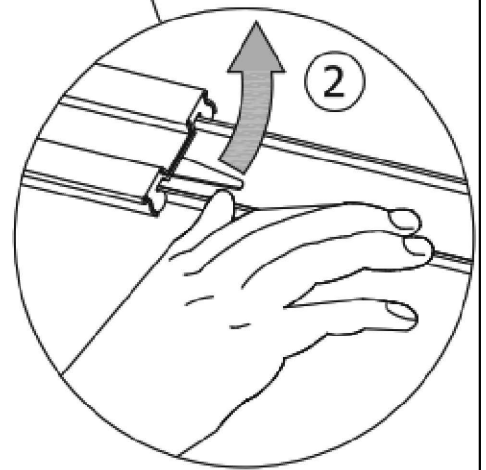
Sildes Must Be Separated Before Assembly.
After Separated, Set Aside Until Needed for Assembly.



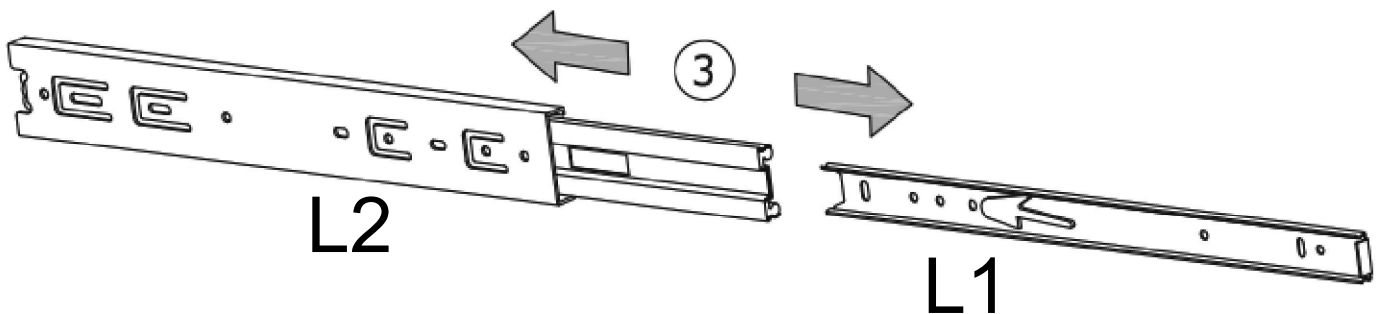
STEP1: Extend silde



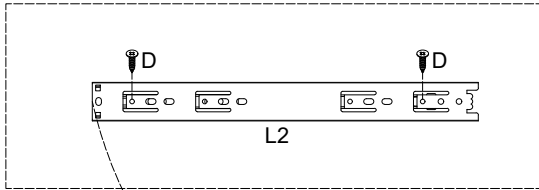
STEP2: Push Lever UP



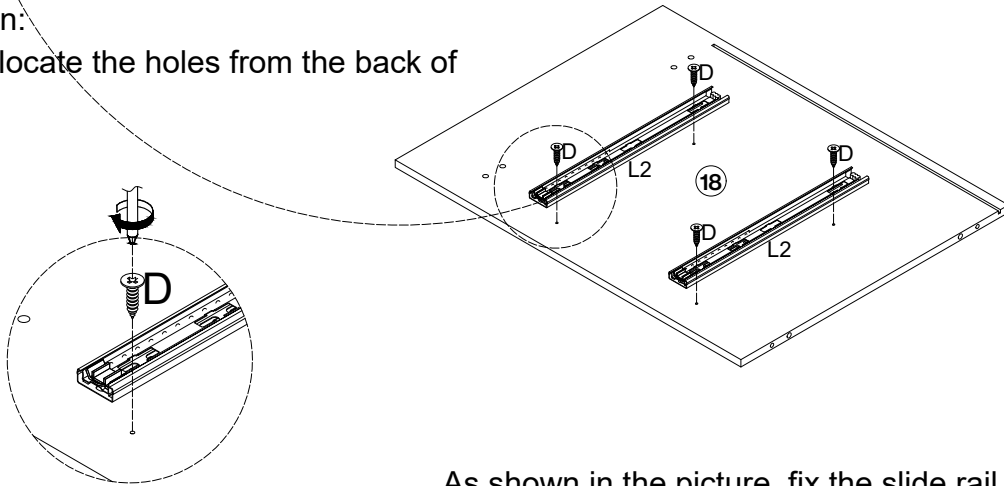
STEP3: Remove Runner



1

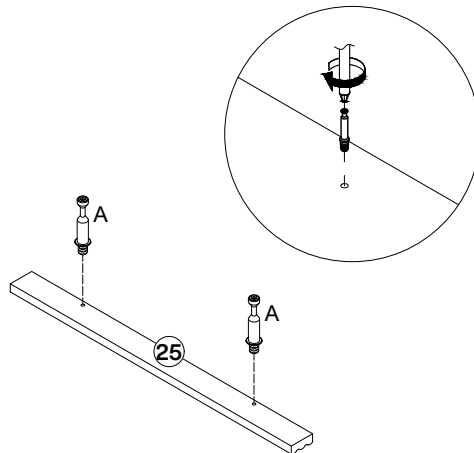
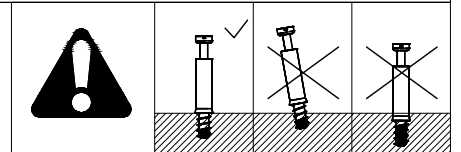


Attention:
Please locate the holes from the back of
part L2.



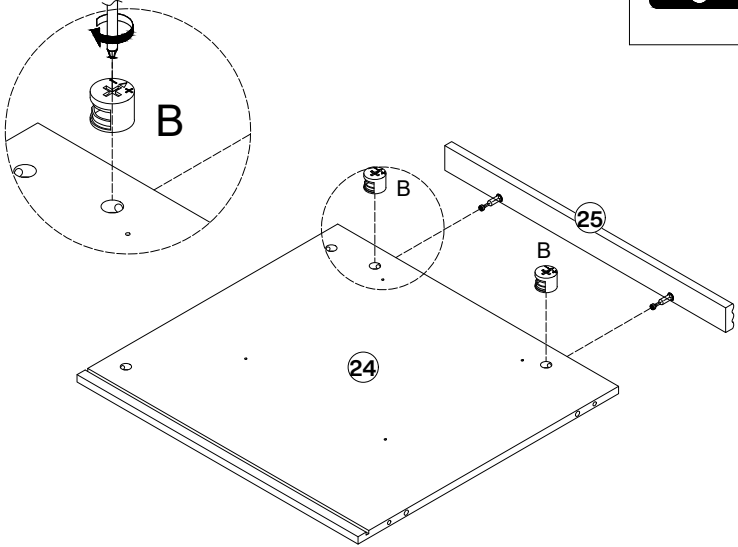
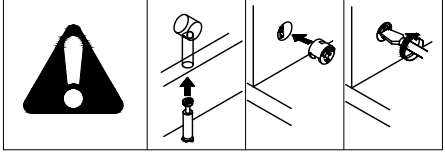
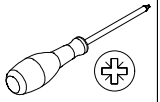
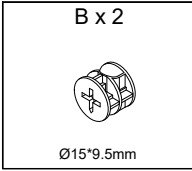
As shown in the picture, fix the slide rail (L2) to the
part 18 with the screw (D).

2



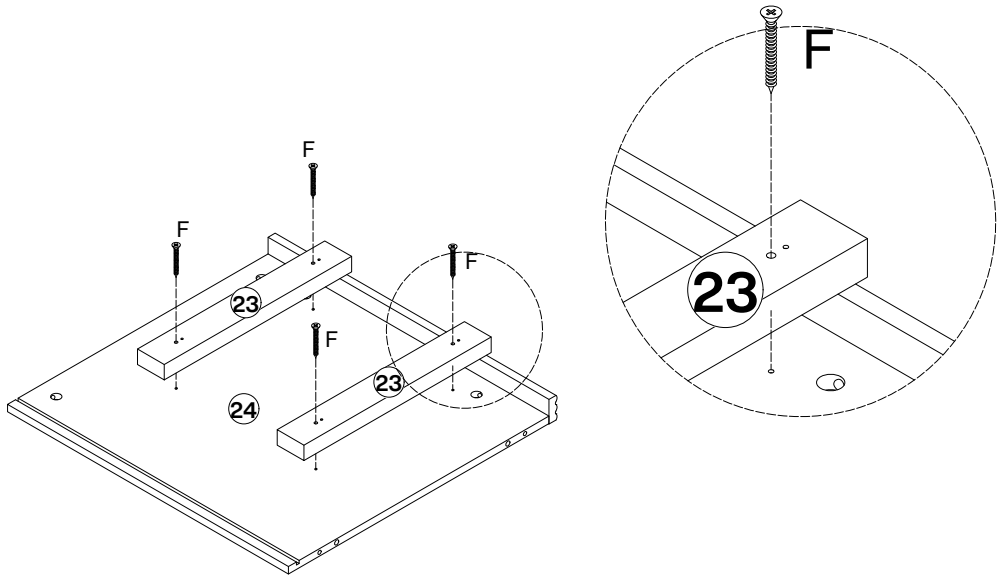
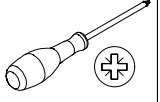
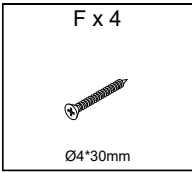
Tighten the screws(A) into the corresponding
holes in part 25

3



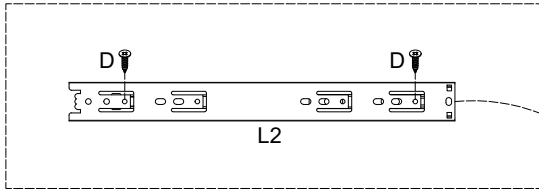
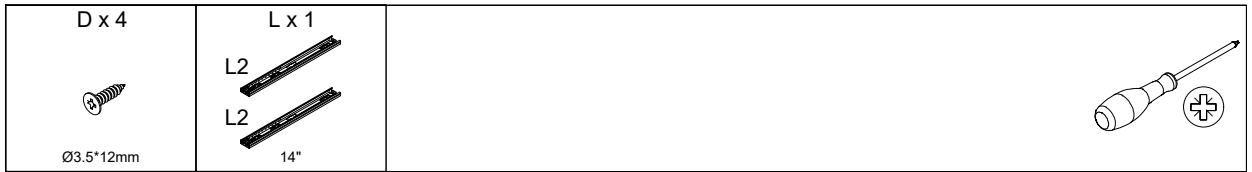
As shown ,Connect part 25 to part 24, then insert the snap lock (B) into the hole on part 24 .and tighten by turning clockwise as shown.

4



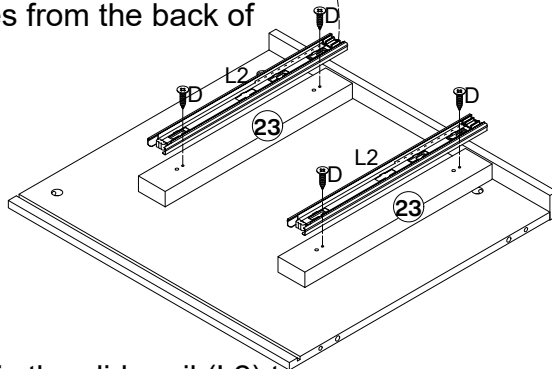
As shown, fasten part 23 to part 24 with (F).

5



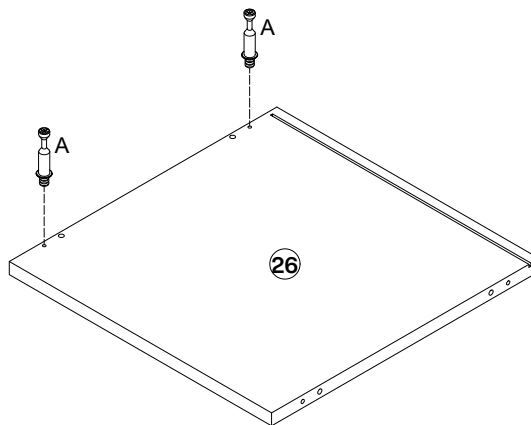
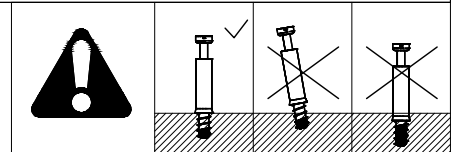
Attention:

Please locate the holes from the back of part L2.




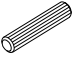

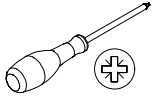
As shown in the picture, fix the slide rail (L2) to the part 23 with the screw (D).

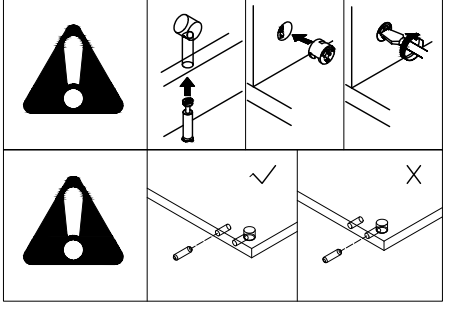
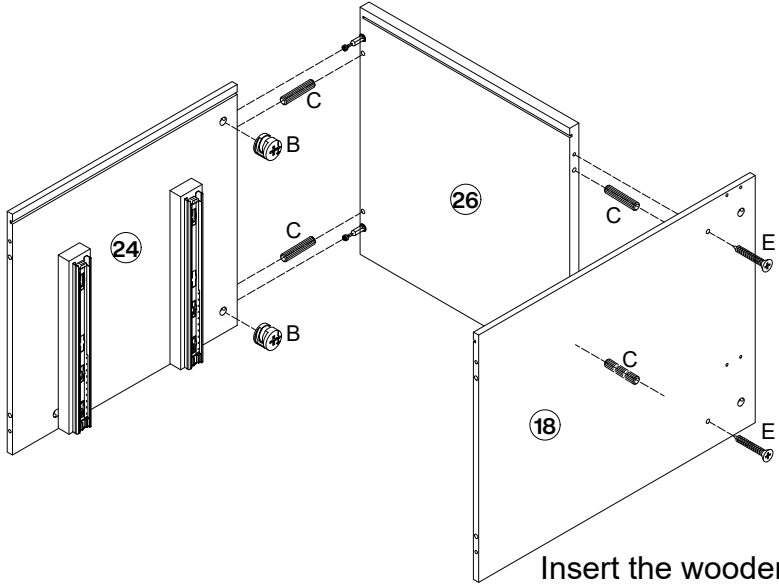
6



Tighten the screws(A) into the corresponding holes in part 26

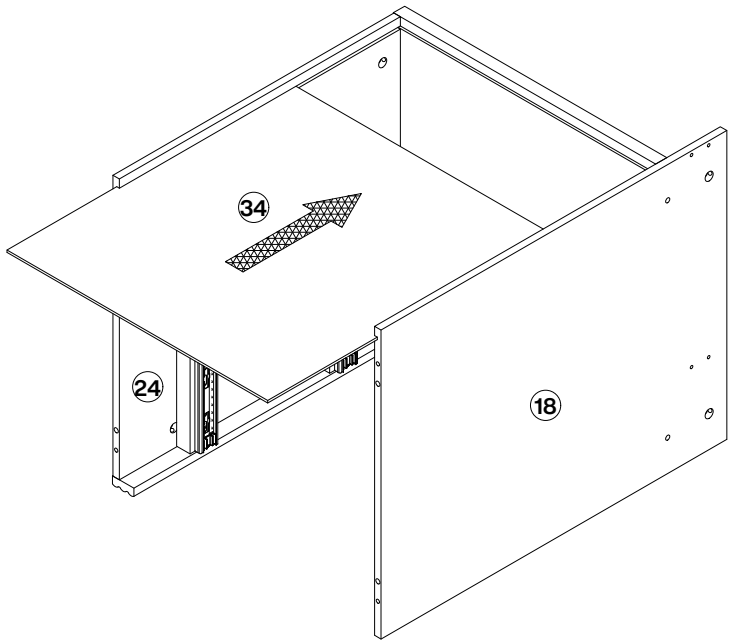
7

B x 2  Ø15*9.5mm	C x 4  Ø8*30mm	E x 2  Ø4*35mm	
----------------------------------------------------------------------------------------------------------------	--------------------------------------------------------------------------------------------------------------	--------------------------------------------------------------------------------------------------------------	-------------------------------------------------------------------------------------



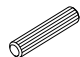
Insert the wooden dowel (C) into one side of part 24 & 26. Connect part 24 and part 18 to part 26, then fasten part 18 to part 26 with (E). insert the snap lock (B) into the hole on part 24 .and tighten by turning clockwise as shown.

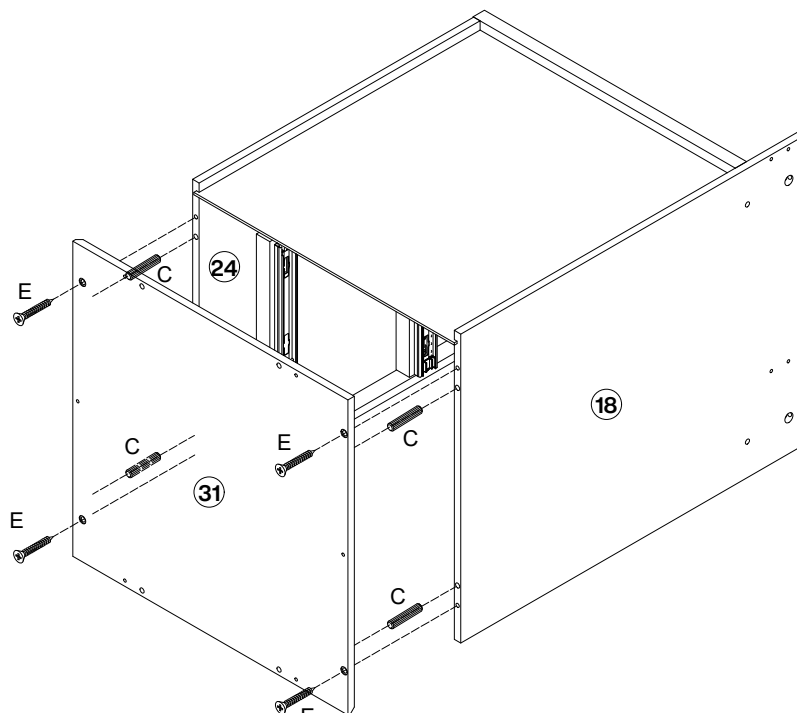
8



Slide back board 34 along available grooves as shown.

9

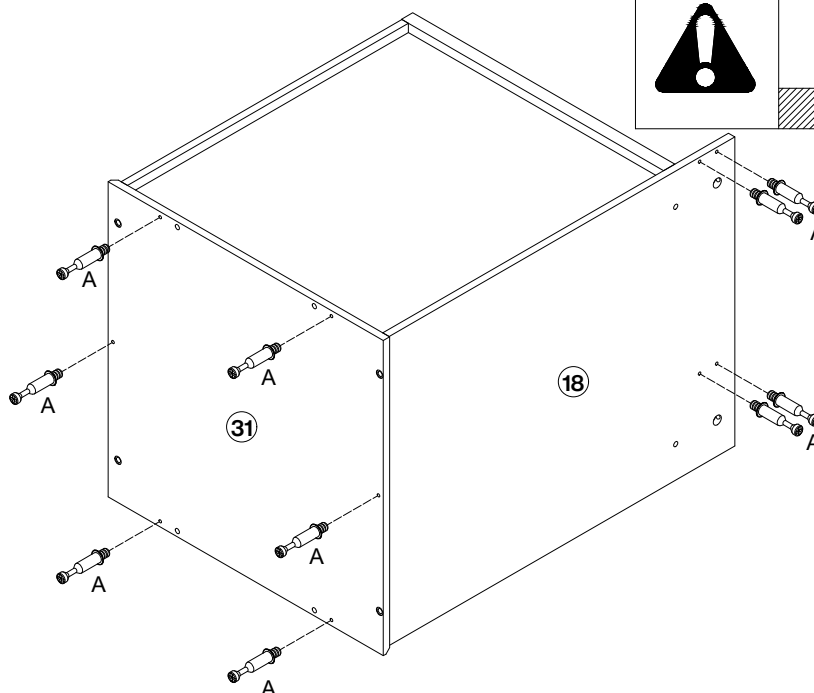
C x 4  Ø8*30mm	E x 4  Ø4*35mm	
--------------------------------------------------------------------------------------------------------------	--------------------------------------------------------------------------------------------------------------	-------------------------------------------------------------------------------------



As shown, connect part 31 to part 18 & 24 with wooden dowel (C) and fasten part 31 to part 18 & 24 with (E).

10

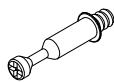
A x 10  M6*35mm	
-----------------------------------------------------------------------------------------------------------------	---------------------------------------------------------------------------------------



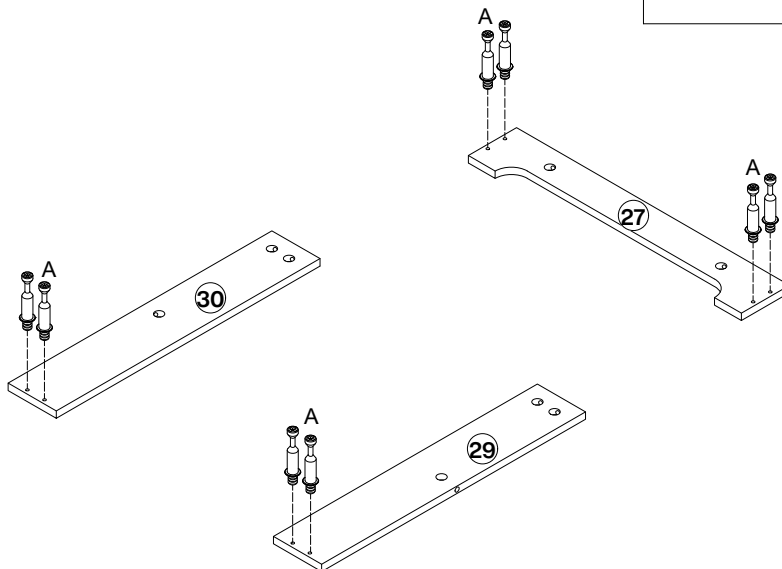
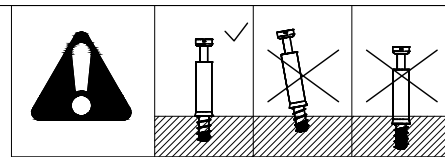
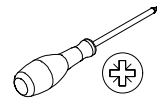
Tighten the screws(A) into the corresponding holes in part 31 and 18

11

A x 8



M6*35mm



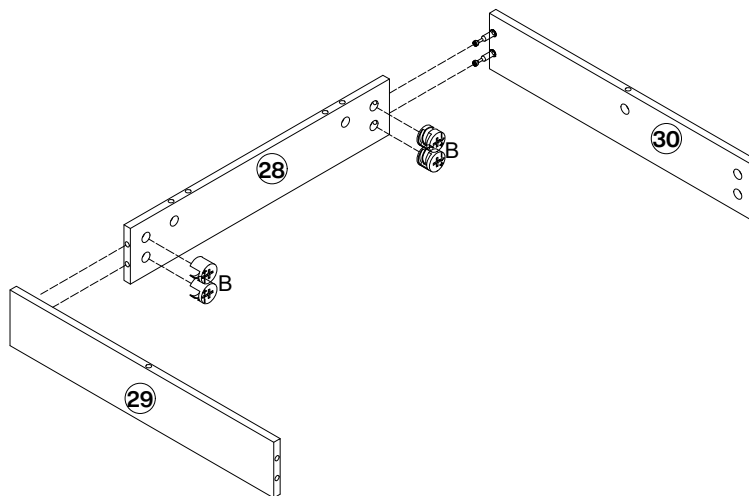
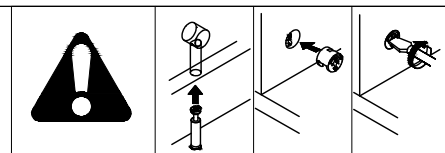
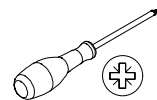
Tighten the screws(A)into the corresponding holes in part 27 & 29 and 30

12

B x 4

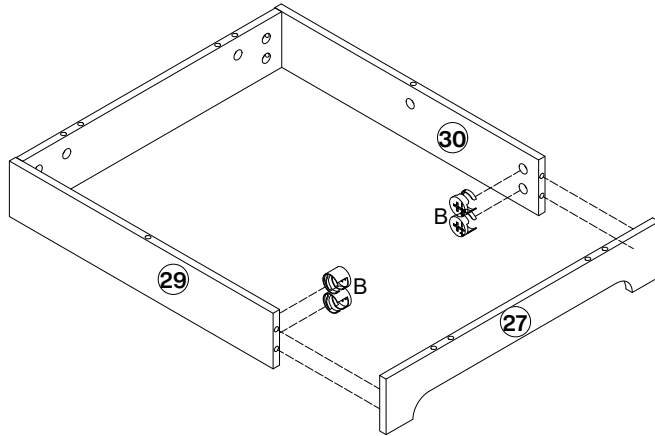
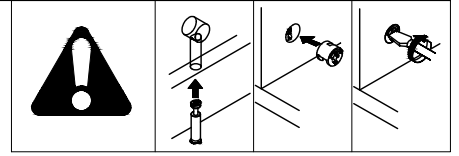
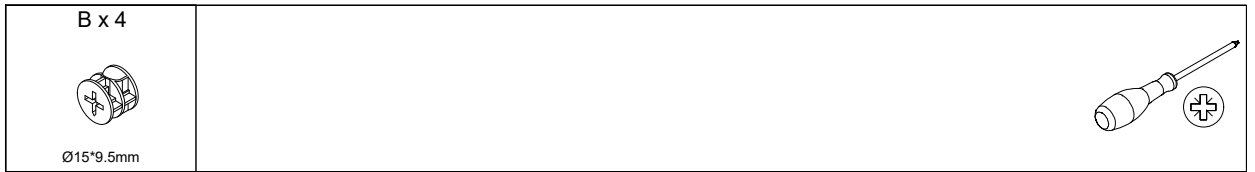


Ø15*9.5mm



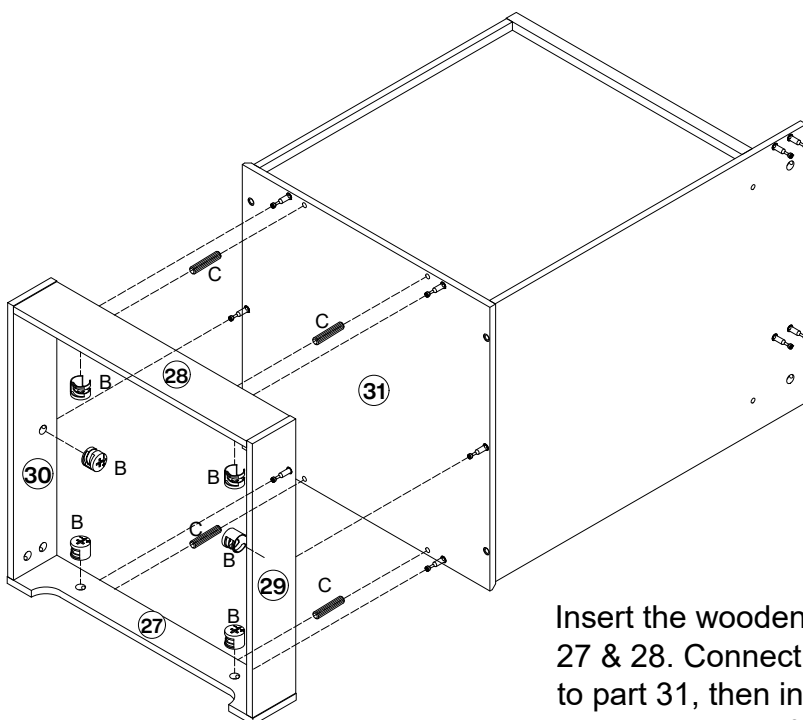
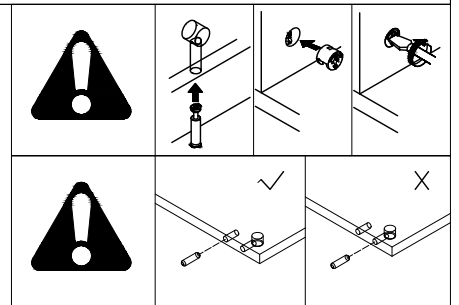
As shown ,Connect part 29 & 30 to part 28, then insert the snap lock (B) into the hole on part 28 .and tighten by turning clockwise as shown.

13



As shown ,Connect part 29 & 30 to part 28, then insert the snap lock (B) into the hole on part 28 .and tighten by turning clockwise as shown.

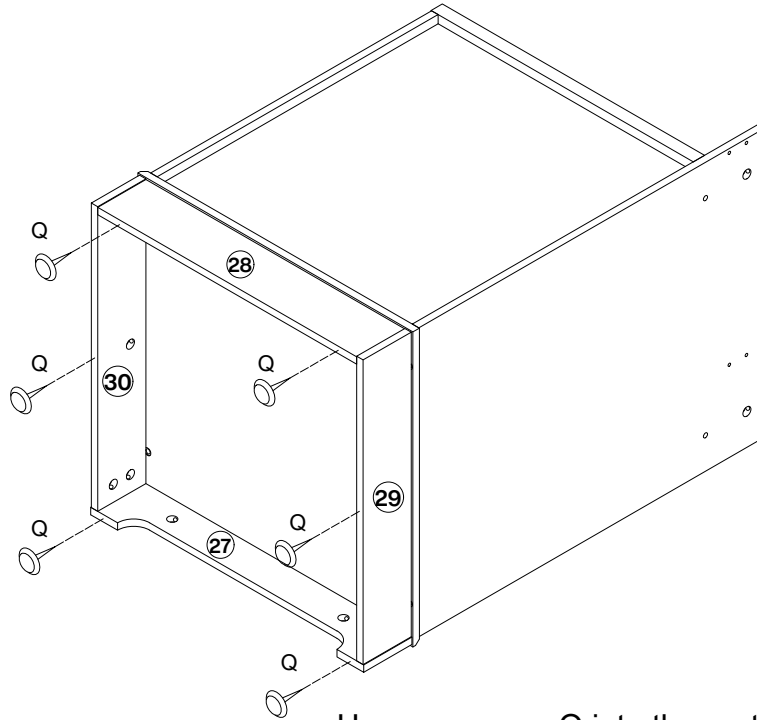
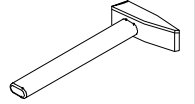
14



Insert the wooden dowel (C) into one side of part 27 & 28. Connect part 27 & 28 & 29 and part 30 to part 31, then insert the snap lock (B) into the hole on part 27 & 28 & 29 and part 30 .and tighten by turning clockwise as shown.

15

Q x 6



Hammer screw Q into the part 27 & 28 & 29 and part 30

16

C x 6

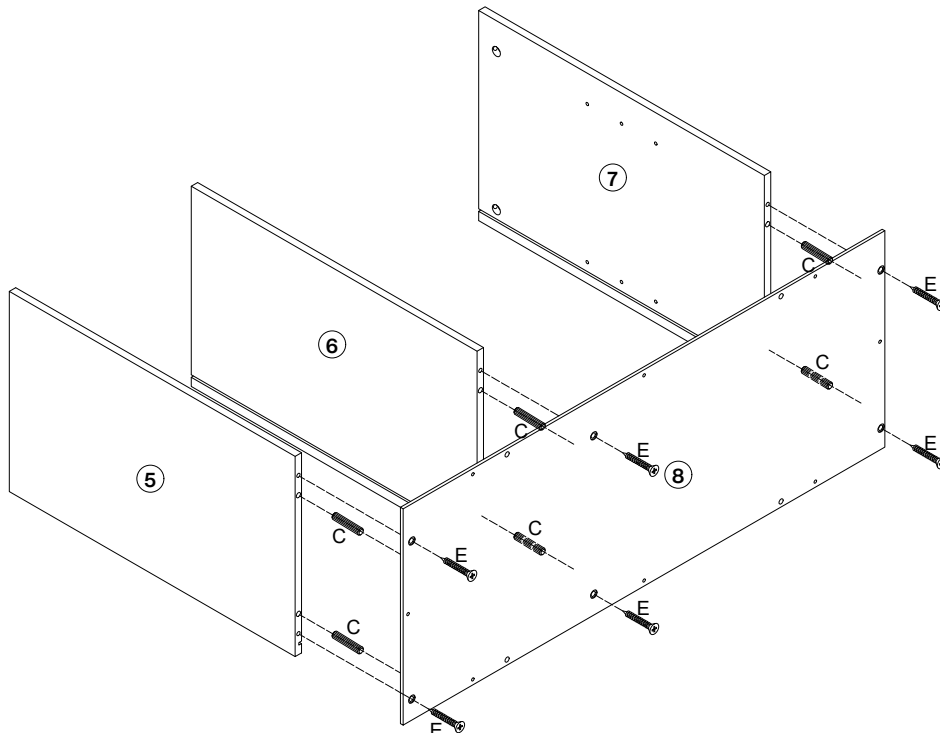
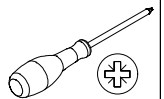


Ø8*30mm

E x 6



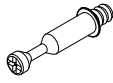
Ø4*35mm



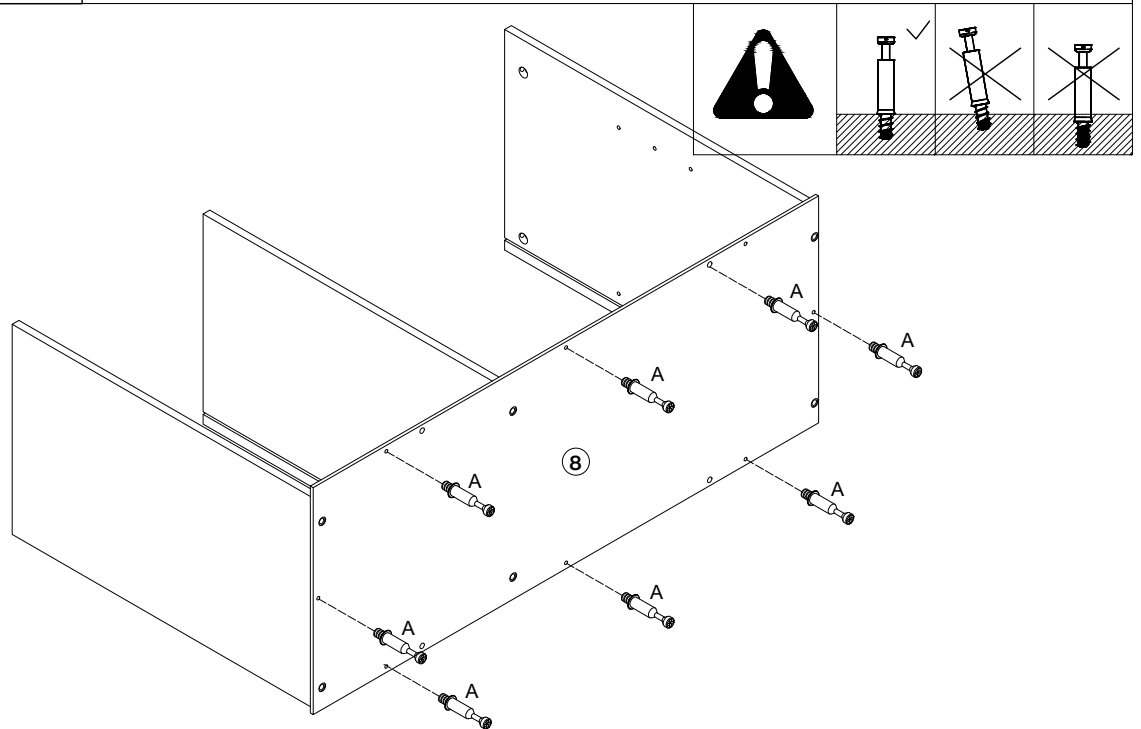
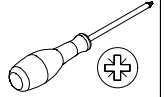
As shown, connect part 8 to part 5 & 6 and 7 with wooden dowel (C) and fasten part 8 to part 5 & 6 and 7 with (E).

17

A x 8



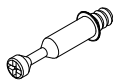
M6*35mm



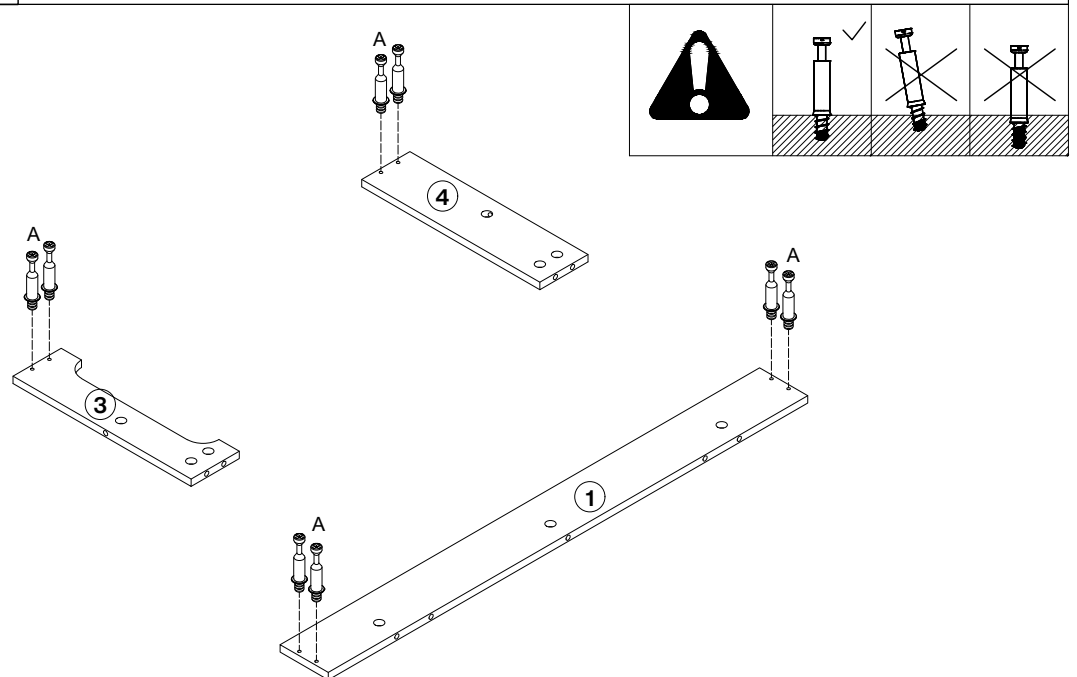
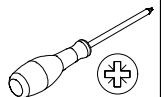
Tighten the screws(A) into the corresponding holes in part 8

18

A x 8



M6*35mm



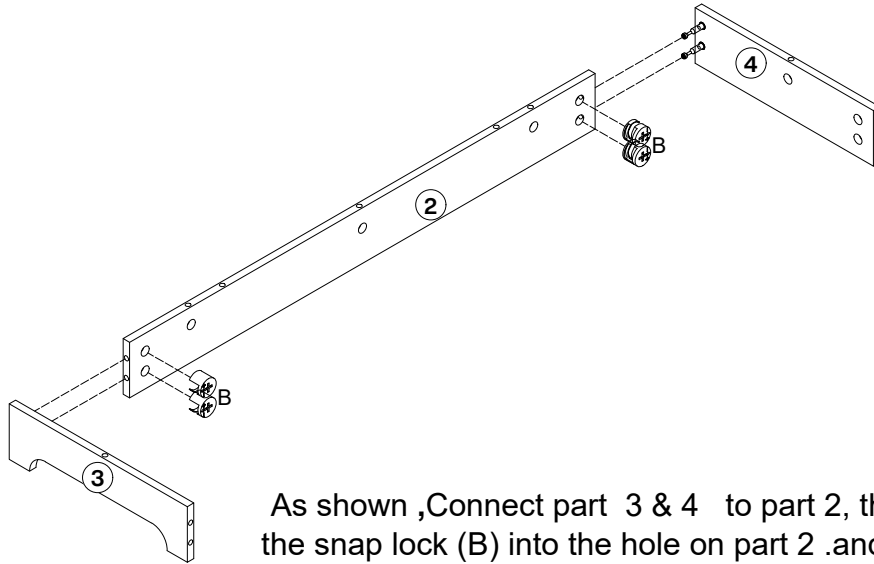
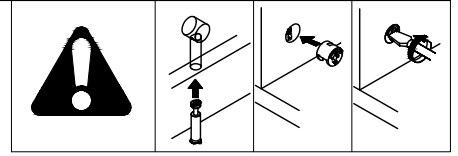
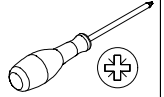
Tighten the screws(A) into the corresponding holes in part 1 & 3 and 4

19

B x 4



Ø15*9.5mm



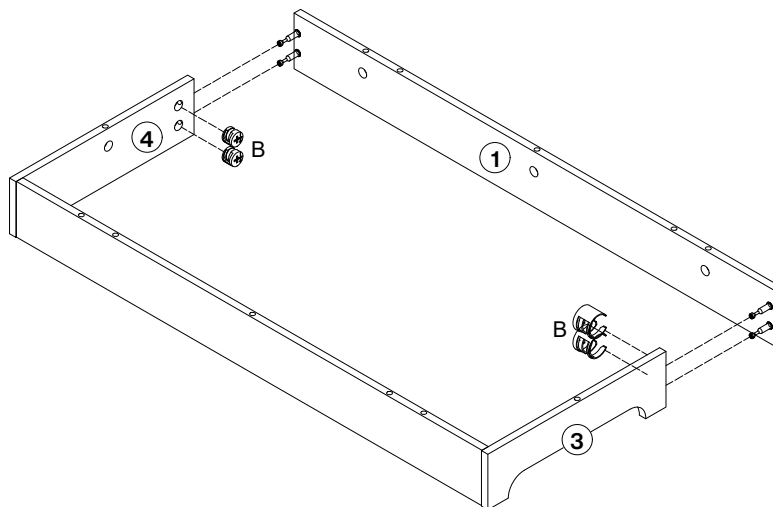
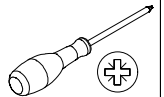
As shown ,Connect part 3 & 4 to part 2, then insert the snap lock (B) into the hole on part 2 .and tighten by turning clockwise as shown.

20

B x 4

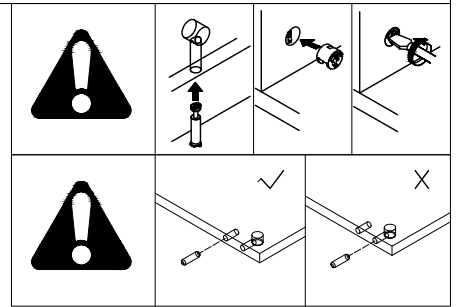
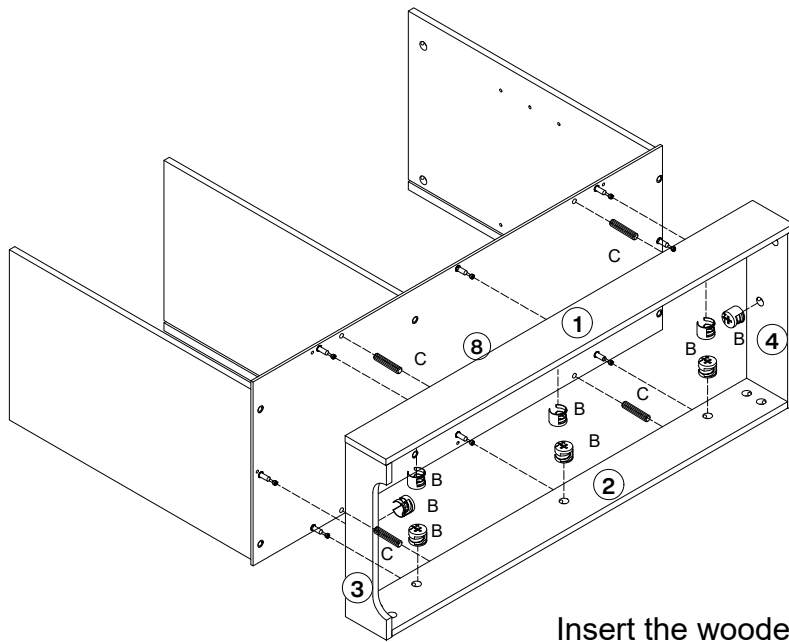


Ø15*9.5mm



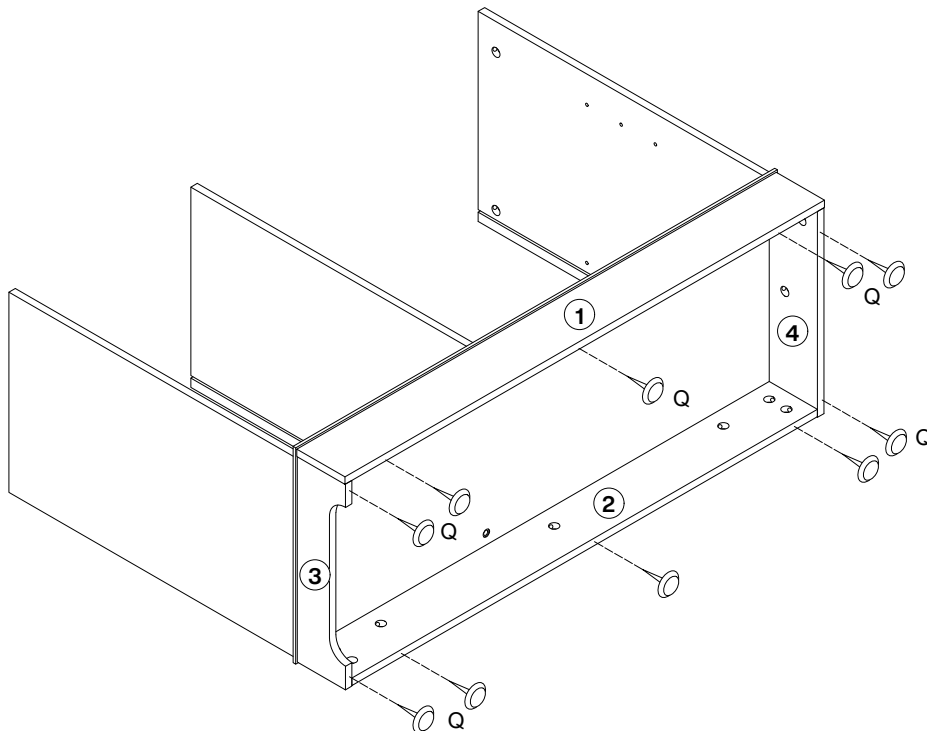
As shown ,Connect part 3 & 4 to part 1, then insert the snap lock (B) into the hole on part 1 .and tighten by turning clockwise as shown.

21



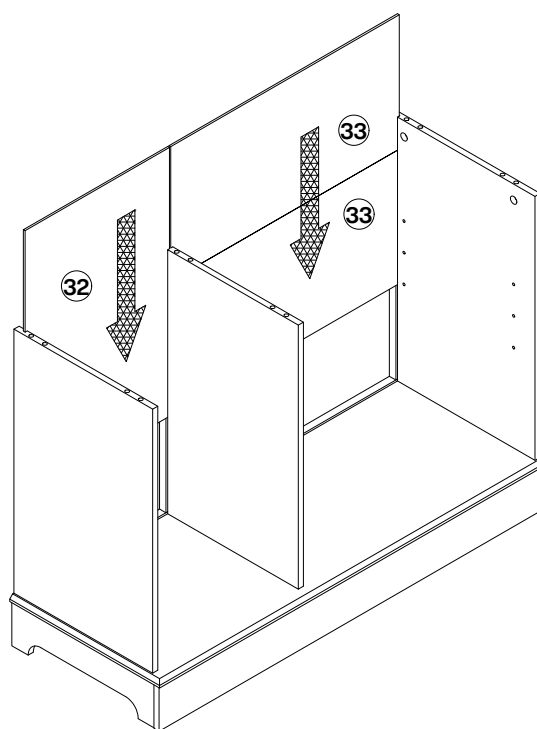
Insert the wooden dowel (C) into one side of part 1 & 2. Connect part 1 & 2 & 3 and part 4 to part 8, then insert the snap lock (B) into the hole on part 1 & 2 & 3 and part 4 .and tighten by turning clockwise as shown.

22



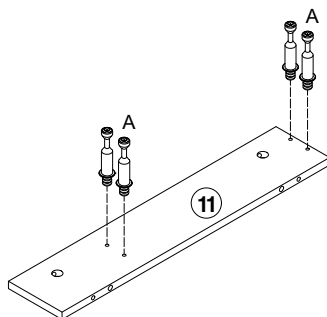
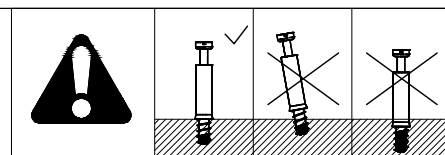
Hammer screw Q into the part 1 & 2 & 3 and part 4

23



Slide back board 32 and 33 along available grooves as shown.

24



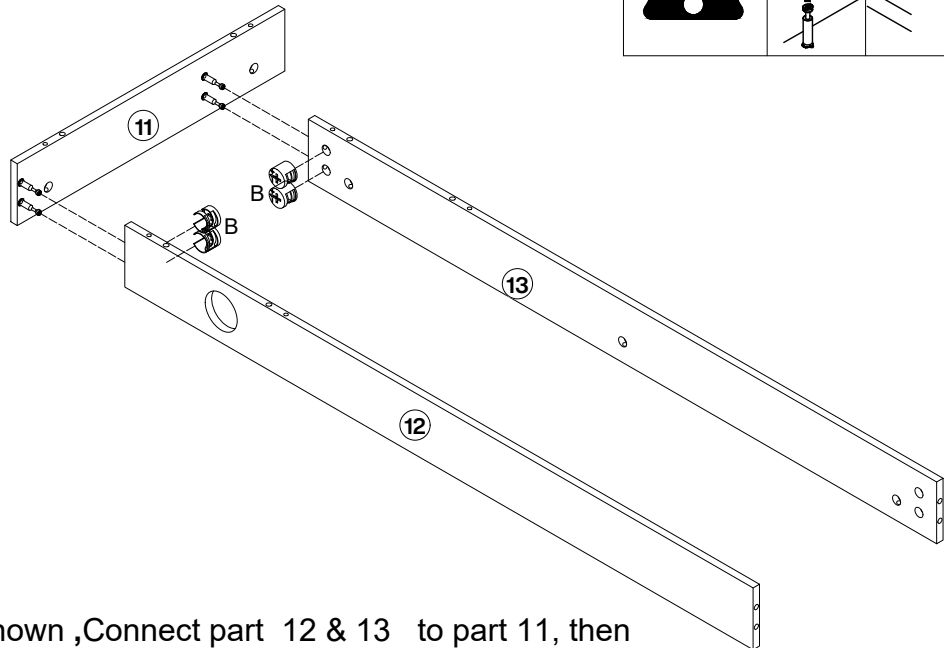
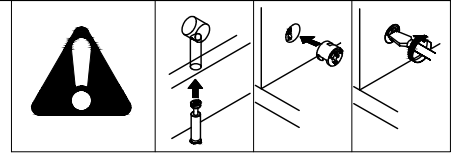
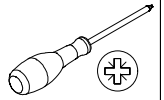
Tighten the screws(A) into the corresponding holes in part 11

25

B x 4



Ø15*9.5mm



As shown ,Connect part 12 & 13 to part 11, then insert the snap lock (B) into the hole on part 12 & 13 .and tighten by turning clockwise as shown.

26

C x 6

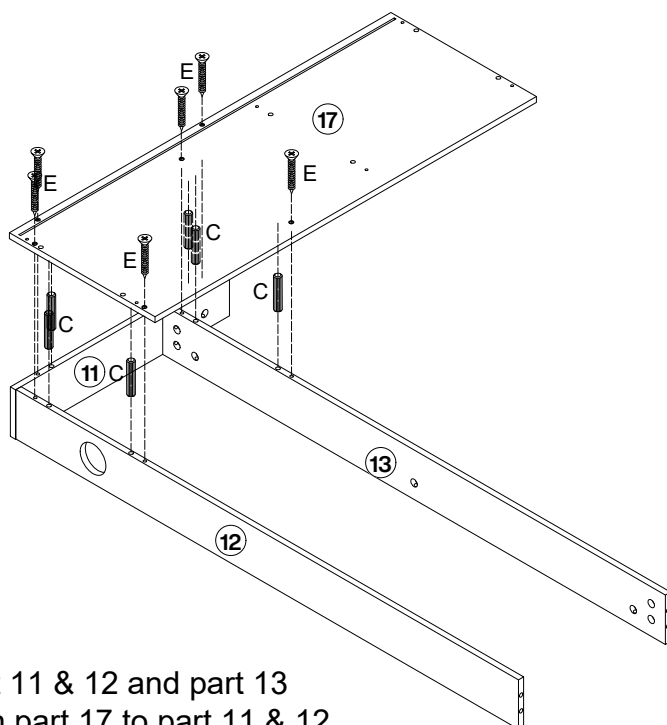
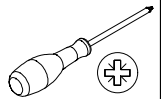


Ø8*30mm

E x 6



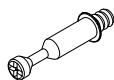
Ø4*35mm



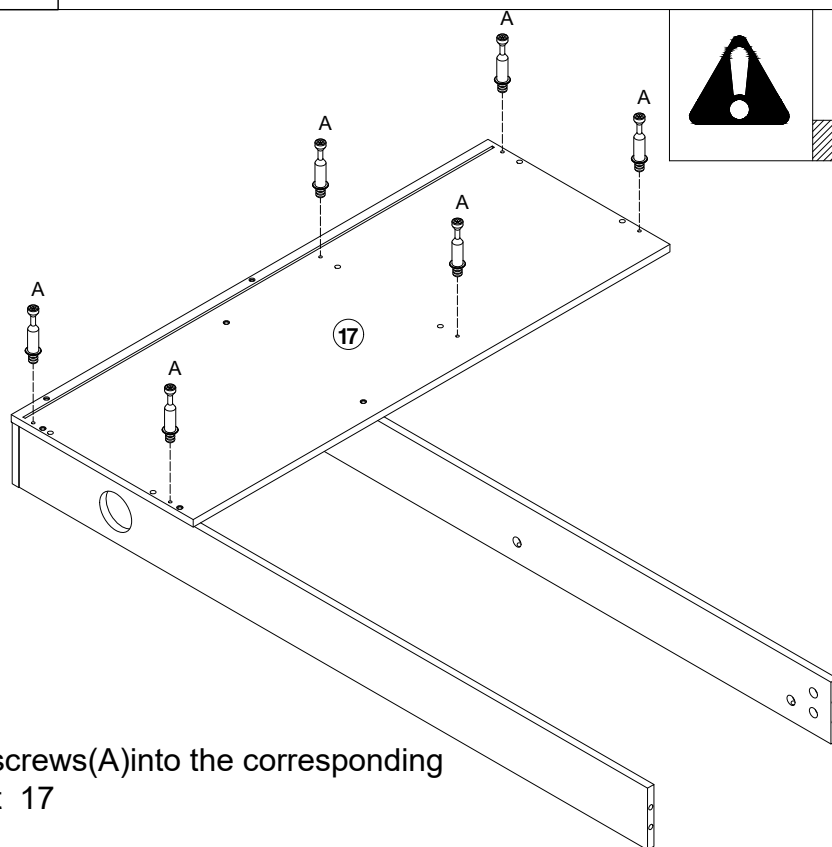
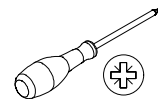
As shown, connect part 17 to part 11 & 12 and part 13 with wooden dowel (C) and fasten part 17 to part 11 & 12 and part 13 with (E).

27

A x 6



M6*35mm



Tighten the screws(A) into the corresponding holes in part 17

28

B x 6

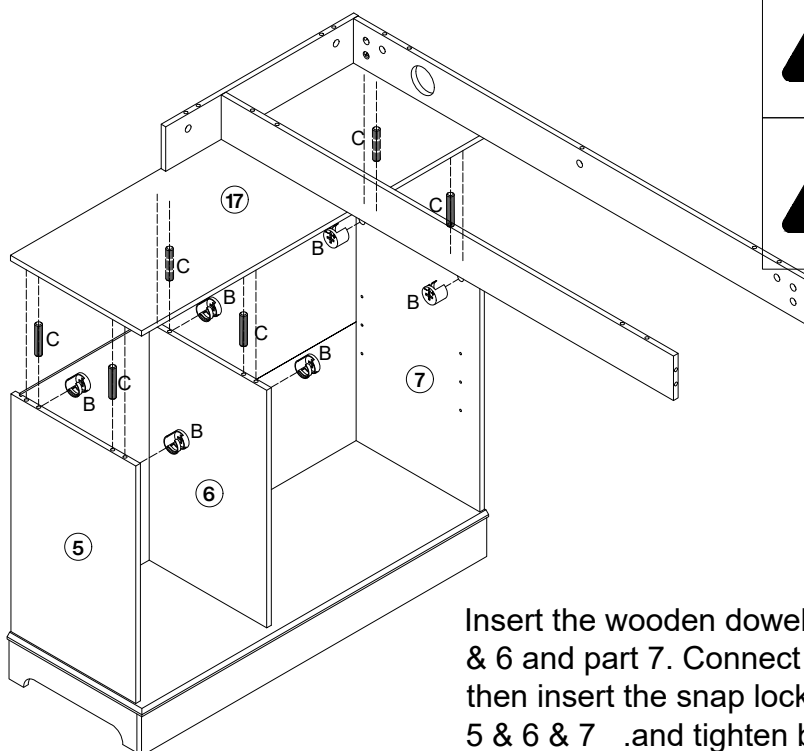
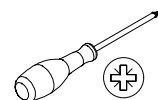


Ø15*9.5mm

C x 6



Ø8*30mm



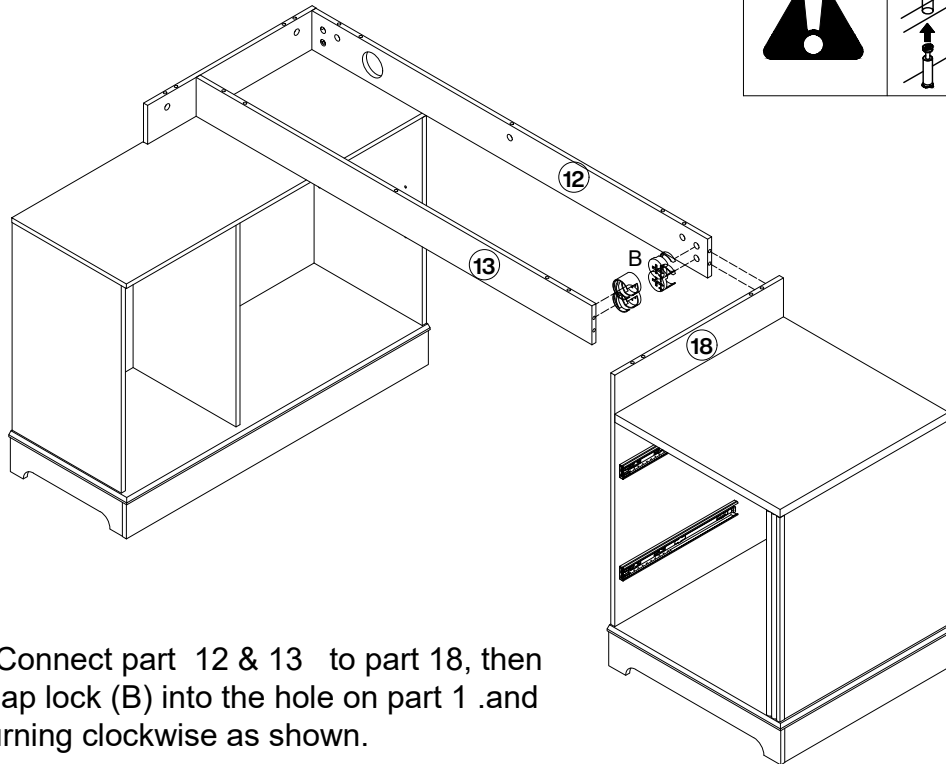
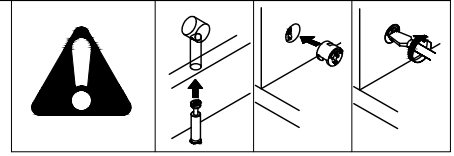
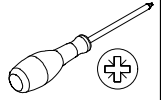
Insert the wooden dowel (C) into one side of part 5 & 6 and part 7. Connect part 17 to part 5 & 6 & 7, then insert the snap lock (B) into the hole on part 5 & 6 & 7 .and tighten by turning clockwise as shown.

29

B x 4



Ø15*9.5mm



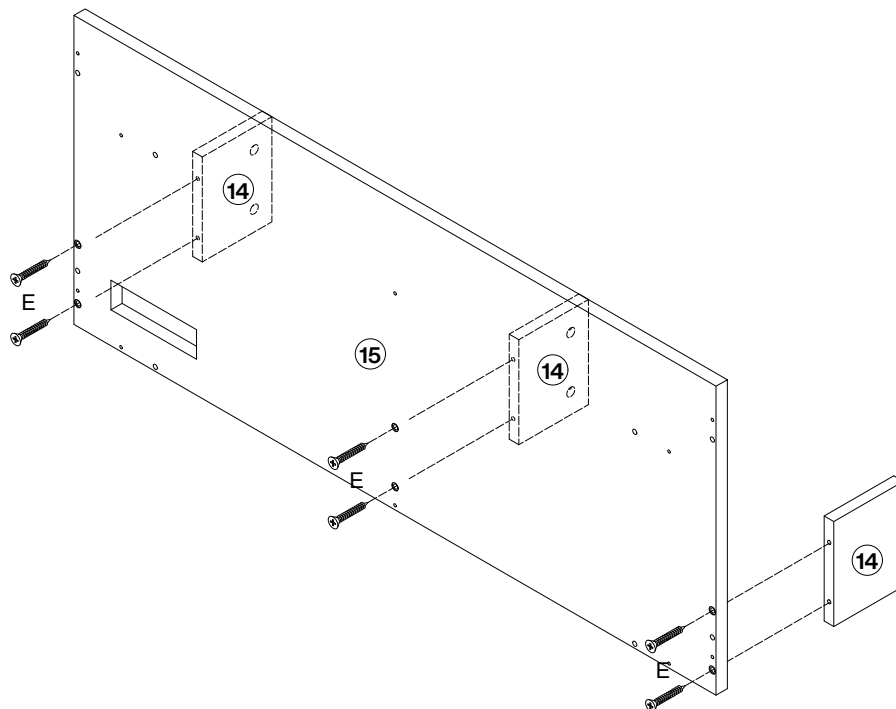
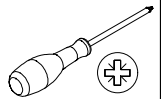
As shown ,Connect part 12 & 13 to part 18, then insert the snap lock (B) into the hole on part 12 .and tighten by turning clockwise as shown.

30

E x 6



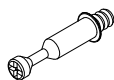
Ø4*35mm



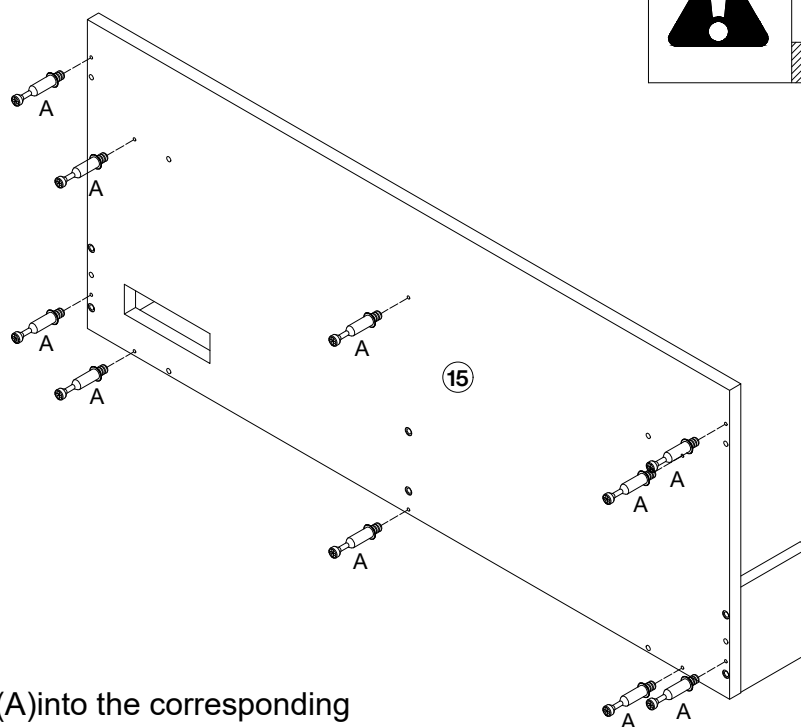
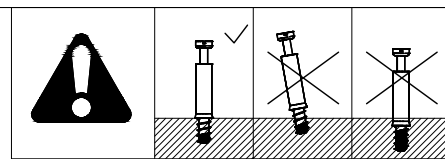
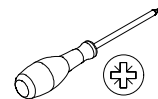
As shown, attach part 14 to part 15 with (E).

31

A x 10



M6*35mm



Tighten the screws(A) into the corresponding holes in part 15

32

B x 10

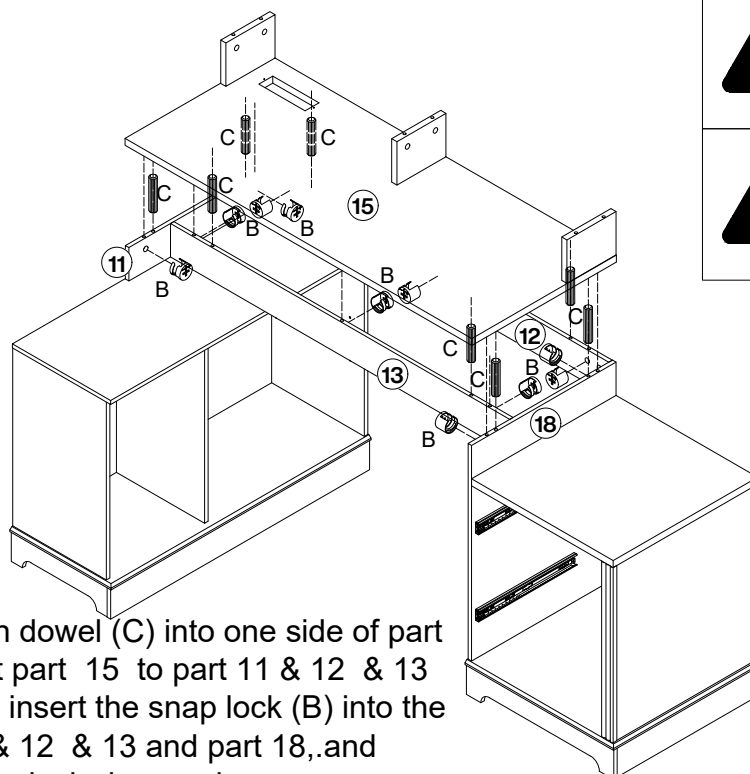
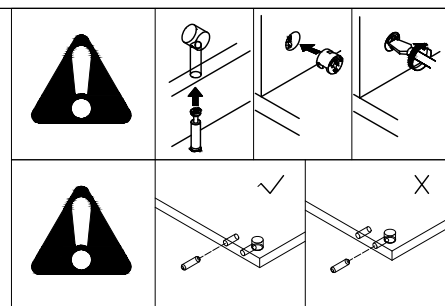
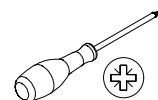


Ø15*9.5mm

C x 8



Ø8*30mm



Insert the wooden dowel (C) into one side of part 12 & 13. Connect part 15 to part 11 & 12 & 13 and part 18, then insert the snap lock (B) into the hole on part 11 & 12 & 13 and part 18, and tighten by turning clockwise as shown.

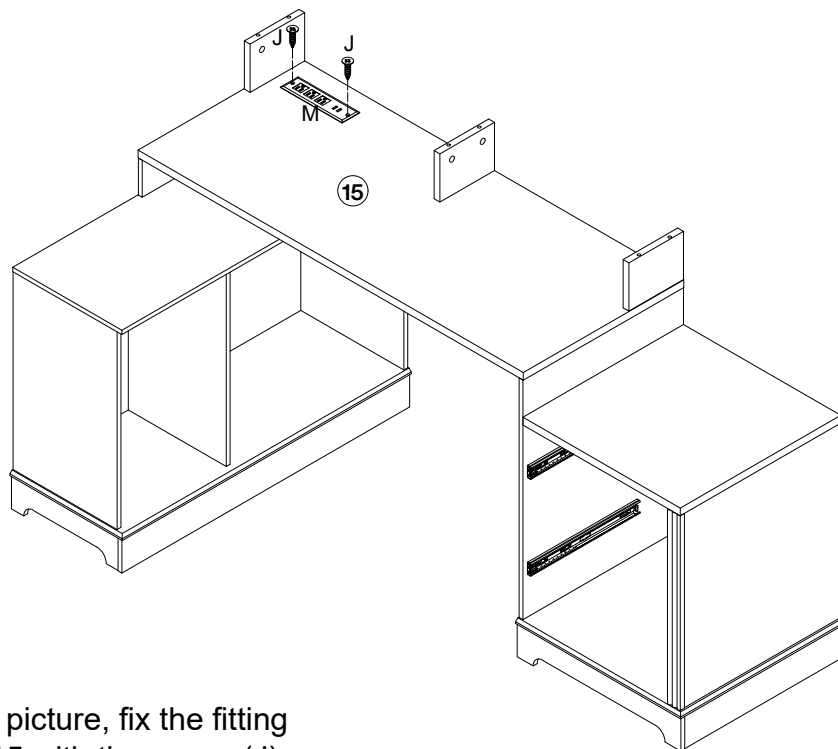
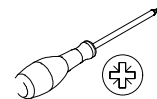
33

J x 2



Ø3*16mm

M x 1



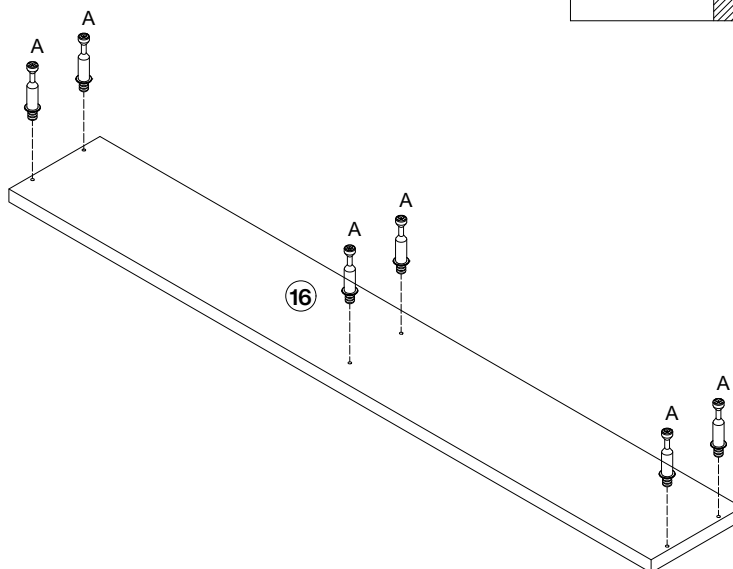
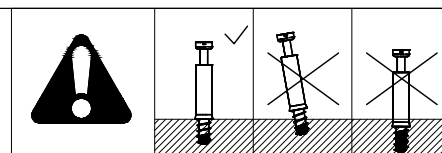
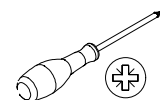
As shown in the picture, fix the fitting (M) to the part 15 with the screw (J).

34

A x 6



M6*35mm



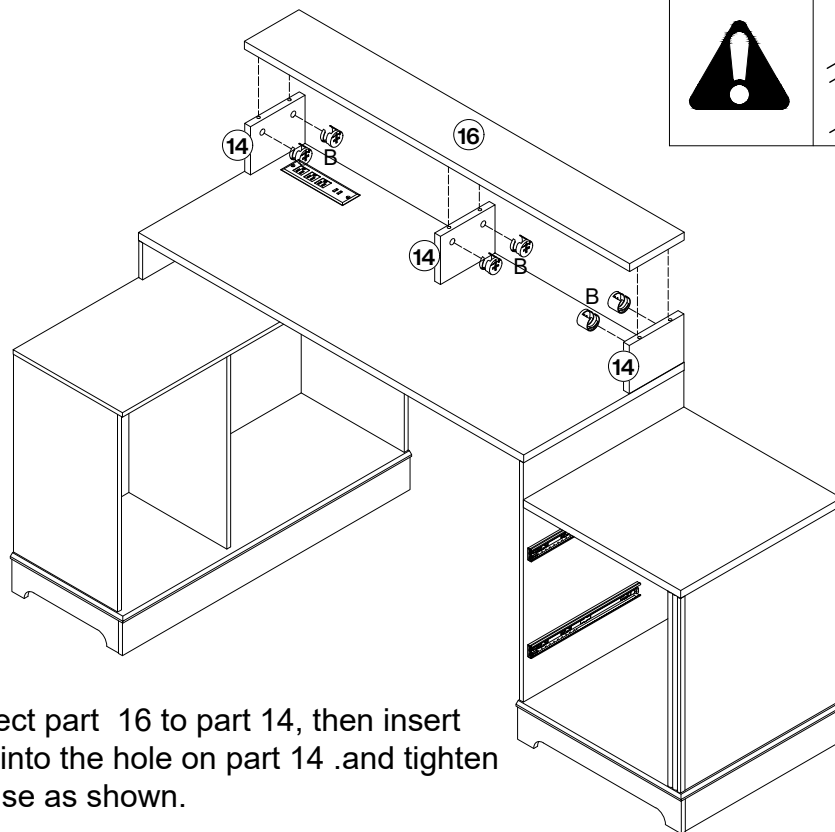
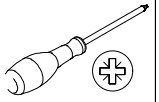
Tighten the screws(A)into the corresponding holes in part 16

35

B x 6



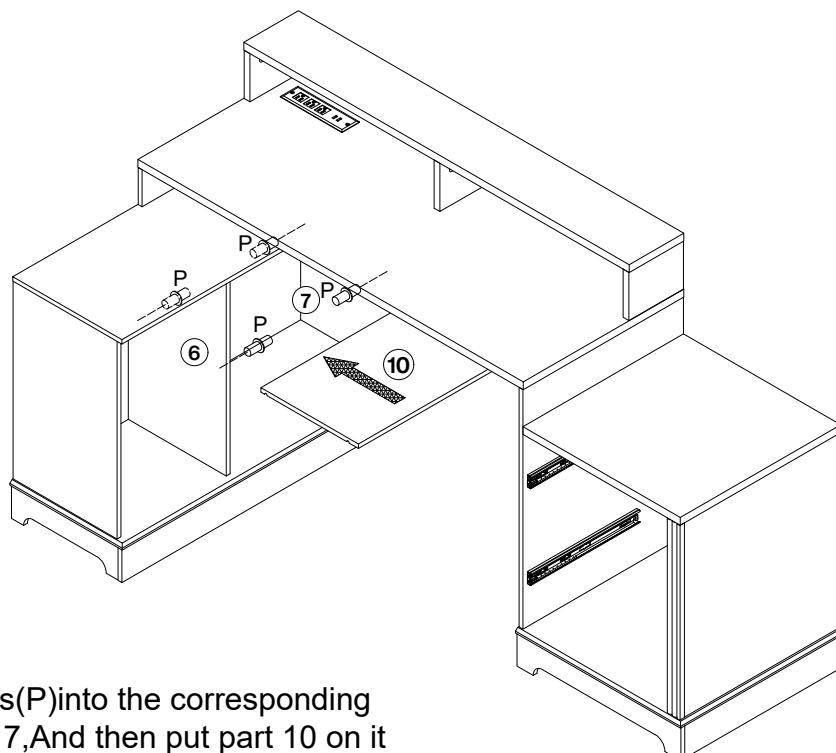
Ø15*9.5mm



As shown ,Connect part 16 to part 14, then insert the snap lock (B) into the hole on part 14 .and tighten by turning clockwise as shown.




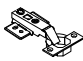
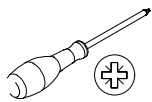
36

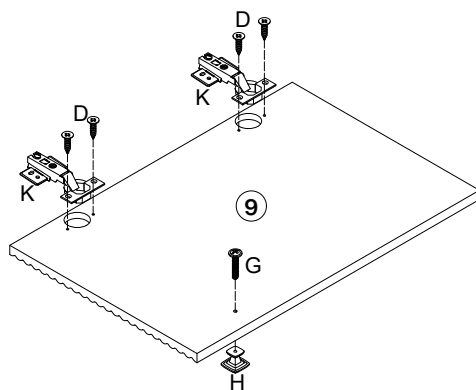
P x 4



Tighten the screws(P)into the corresponding holes in part 6 & 7,And then put part 10 on it

37

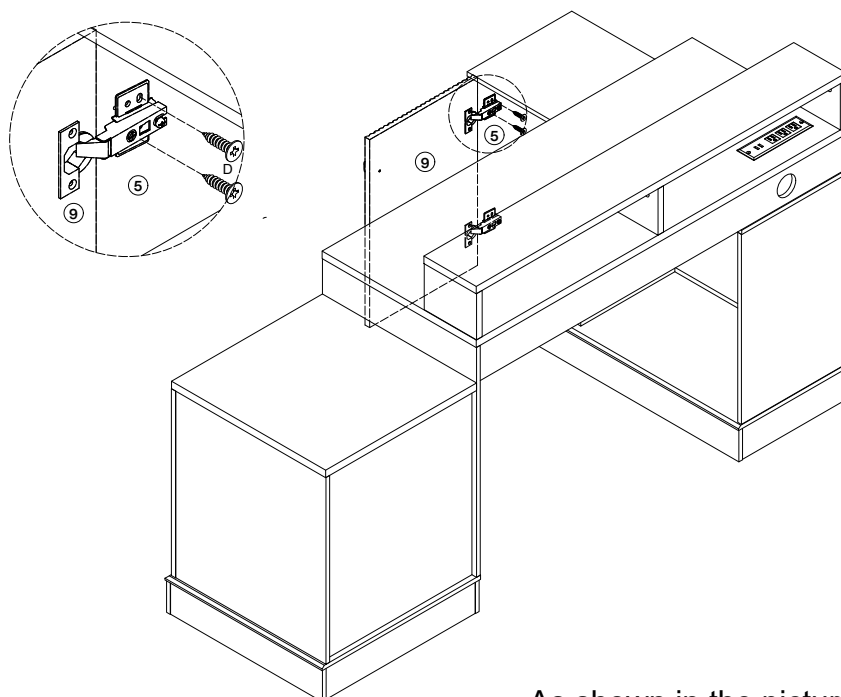
D x 4  Ø3.5*12mm	G x 1  M4*20mm	H x 1 	K x 2 		
---------------------------------------------------------------------------------------------------------	-------------------------------------------------------------------------------------------------------	--------------------------------------------------------------------------------------------	--------------------------------------------------------------------------------------------	--	-------------------------------------------------------------------------------------



As shown in the picture, fix the fitting (K) to the part 9 with the screw (D).
fix the fitting (H) to the part 9 with the screw (G).

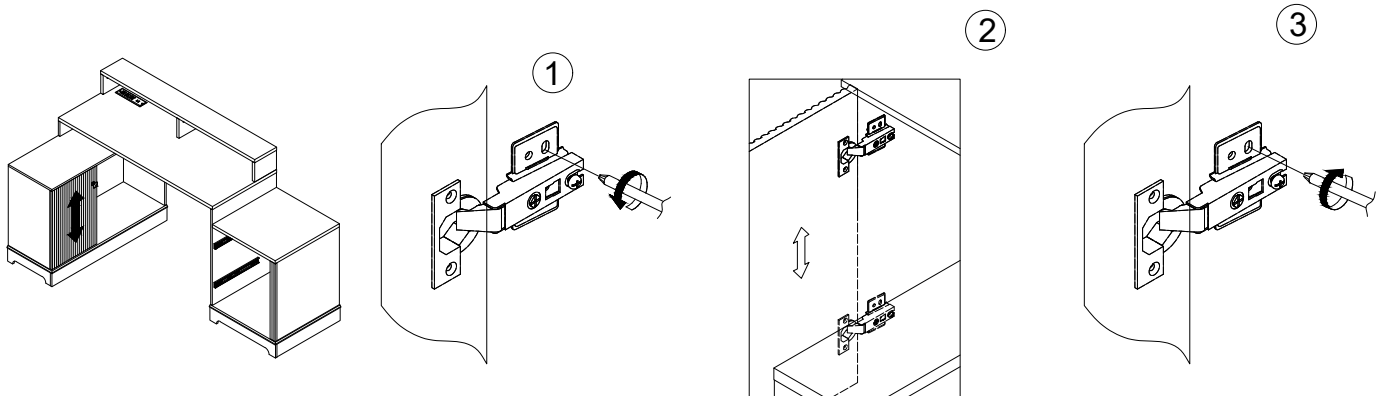
38

D x 4  Ø3.5*12mm					
-----------------------------------------------------------------------------------------------------------	--	--	--	--	---------------------------------------------------------------------------------------

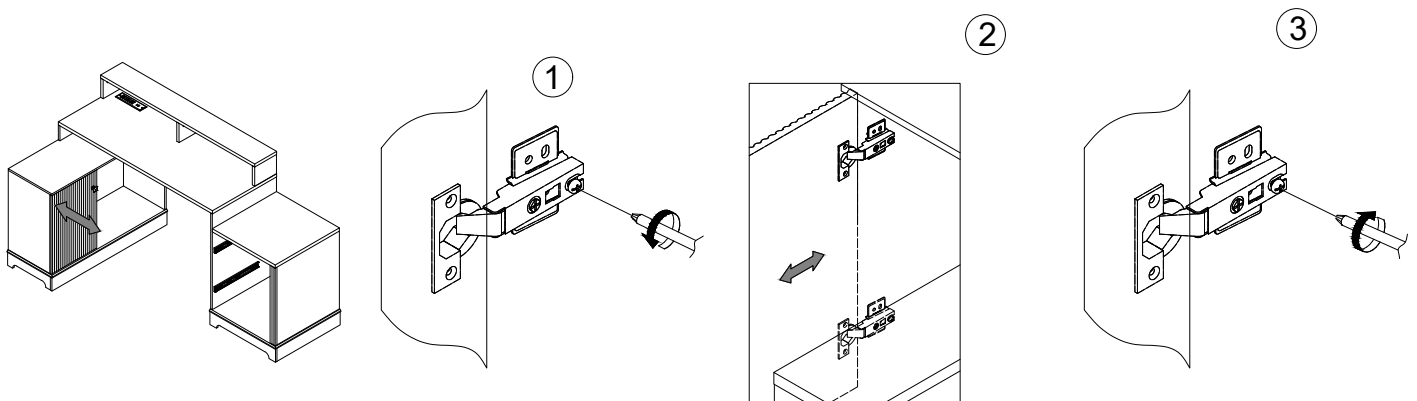


As shown in the picture, fix the fitting (K) to the part 5 with the screw (D).

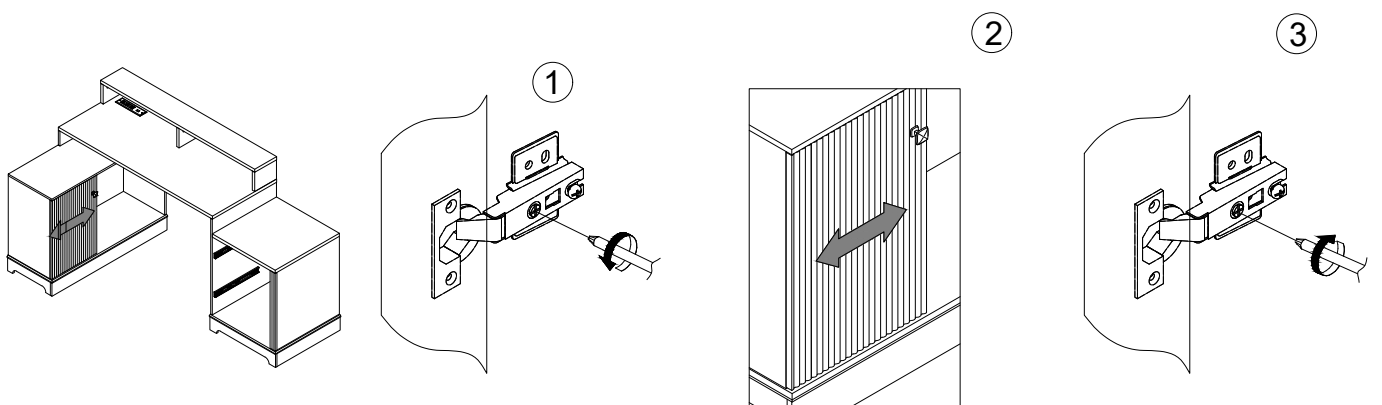
When the clearance of the door is uneven, adjust the cabinet door according to the figure. If you still have trouble adjusting the door, please contact us.



Up and down adjustment by loosening the screw on the mounting plate.




In-and-out adjustment by loosening the screws on the hinge arm.



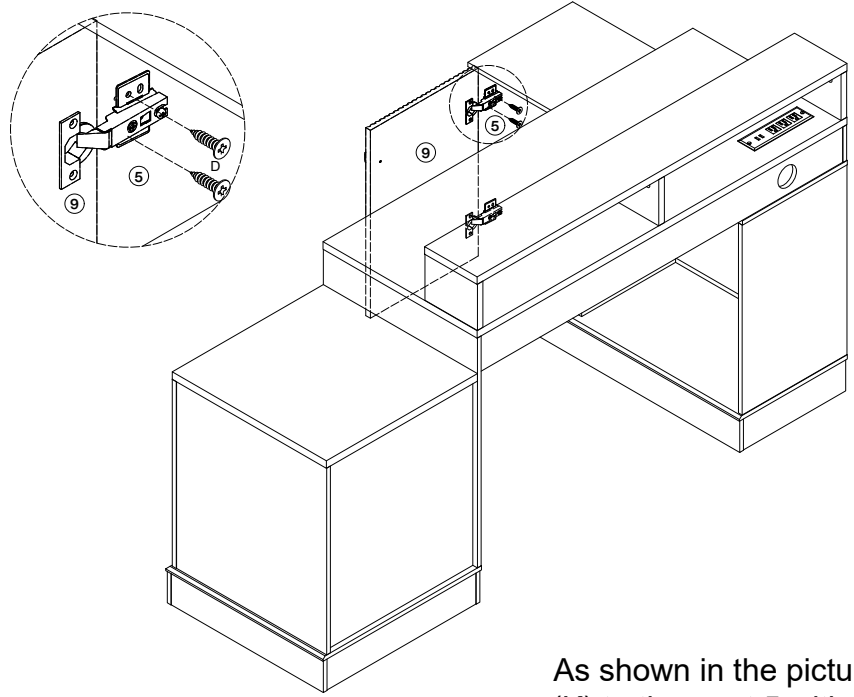
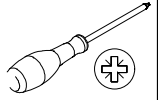
Side-to-side adjustment using the front adjustment screw on the hinge.

39

D x 4




Ø3.5*12mm



As shown in the picture, fix the fitting (K) to the part 5 with the screw (D).


40

D x 8




Ø3.5*12mm

L x 2

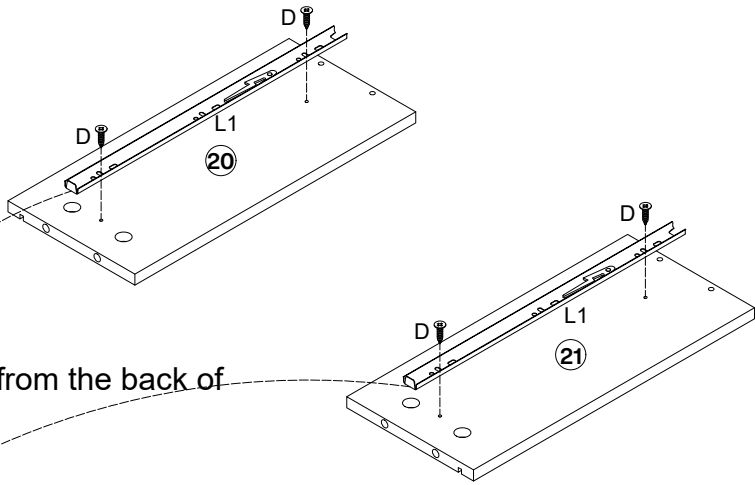
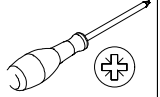


L1

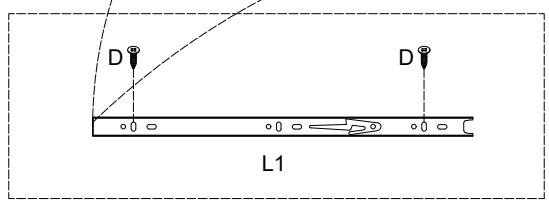


L1

14"



Attention:
Please locate the holes from the back of part L1



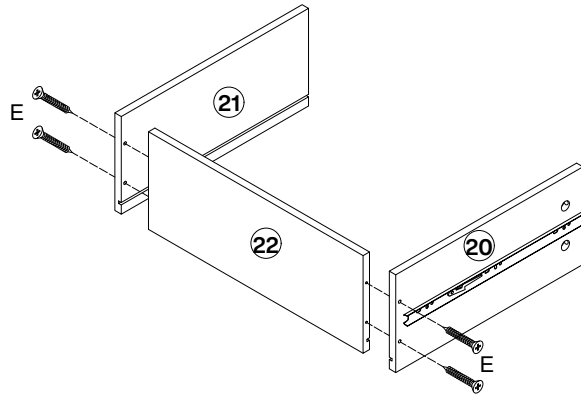
As shown in the picture, fix the slide rail (L1) to the part 20 & 21 with the screw (D).

x2

41

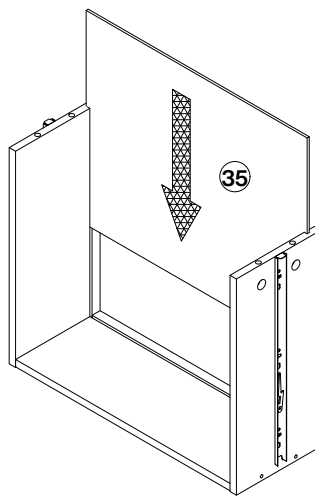


As shown, fasten part 20 & 21 to part 22 with (E).



x2

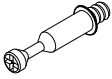

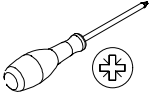
42

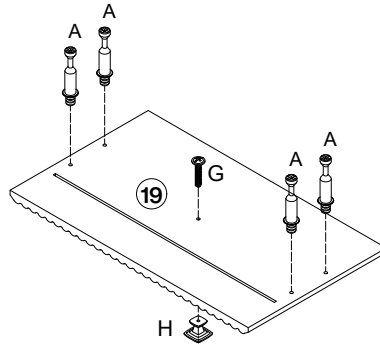
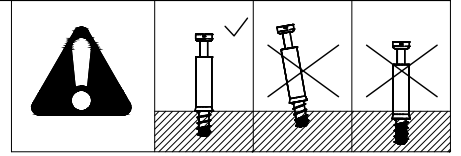


Slide back board 35 along available grooves as shown.

x2

43

A x 8  M6*35mm	G x 2  M4*20mm	H x 2 	
-------------------------------------------------------------------------------------------------------	-------------------------------------------------------------------------------------------------------	--------------------------------------------------------------------------------------------	-------------------------------------------------------------------------------------

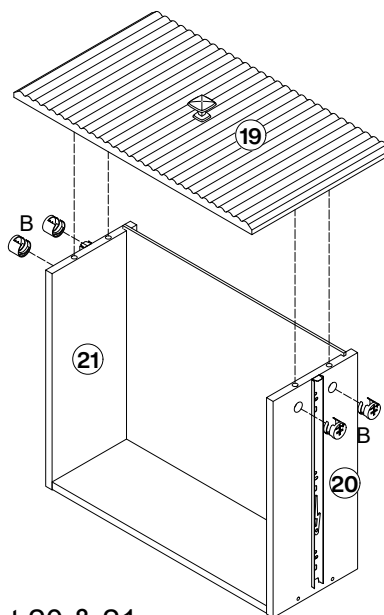
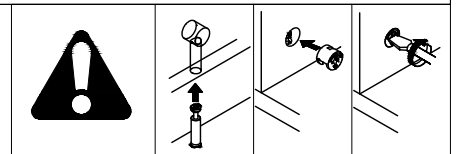


Tighten the screws(A) into the corresponding holes in part 19
fix the fitting (H) to the part 19 with the screw (G).

x2

44

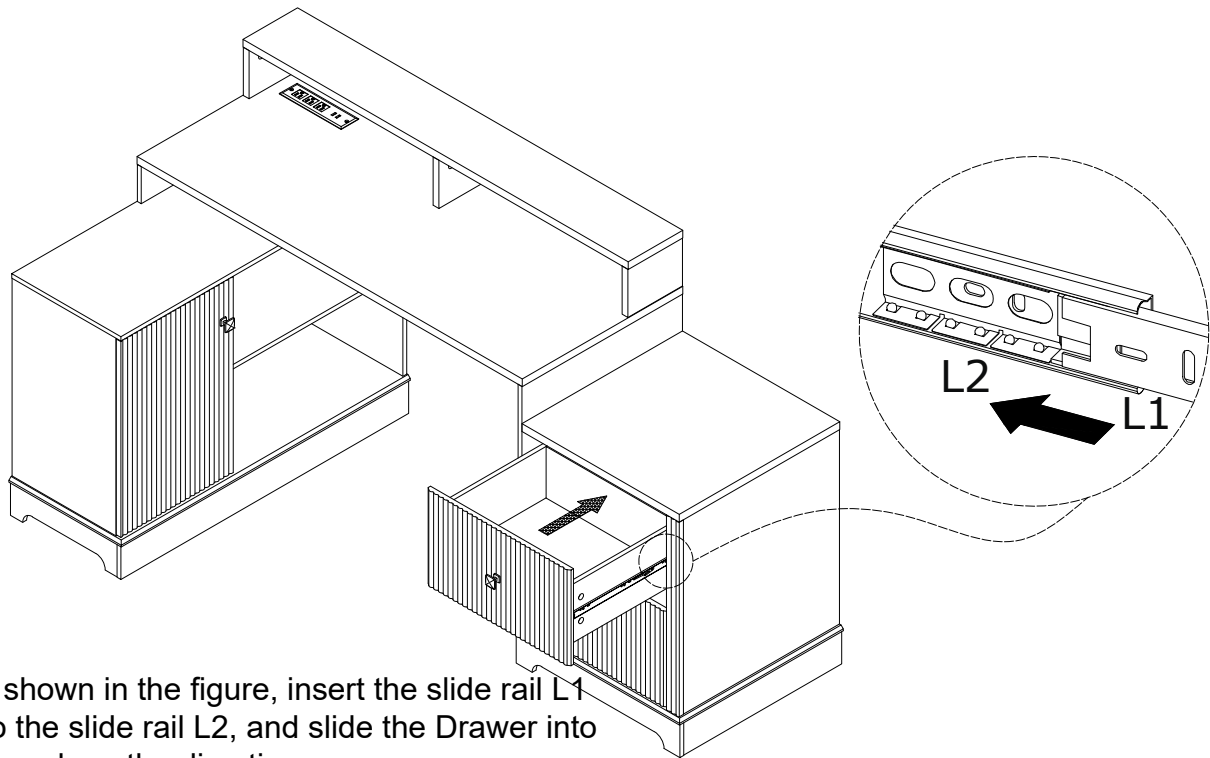
B x 8  Ø15*9.5mm		
-----------------------------------------------------------------------------------------------------------	--	---------------------------------------------------------------------------------------



As shown ,Connect part 19 to part 20 & 21,
then insert the snap lock (B) into the hole on part
20 & 21 .and tighten by turning clockwise as
shown.

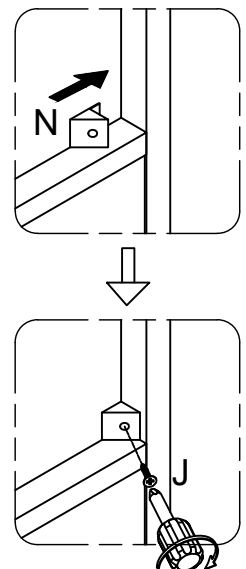
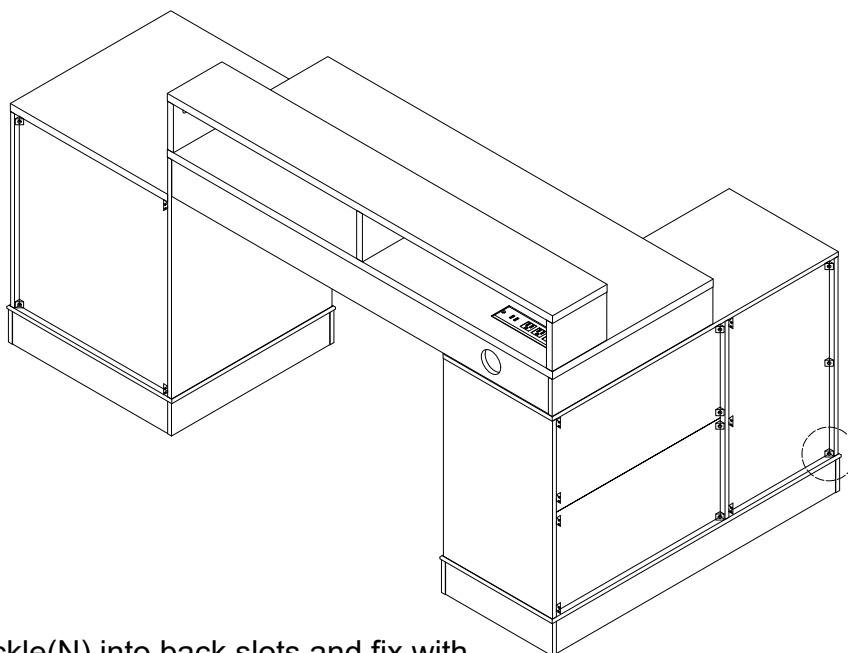
x2

45



As shown in the figure, insert the slide rail L1 into the slide rail L2, and slide the Drawer into place along the direction

46



Insert buckle(N) into back slots, and fix with screw(J) as shown.