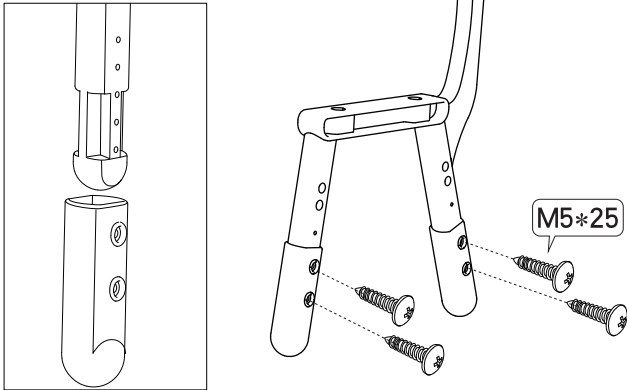


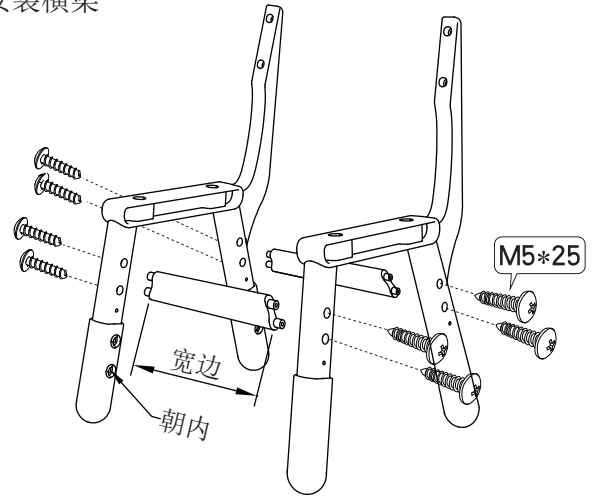
幼儿椅子安装示意图

YCX - 035

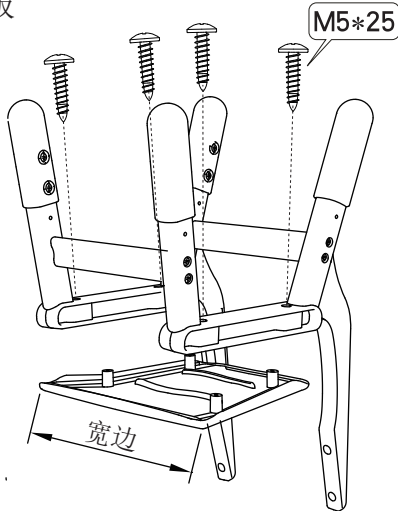
1 选择适合高度安装脚套 (26 28 30cm)



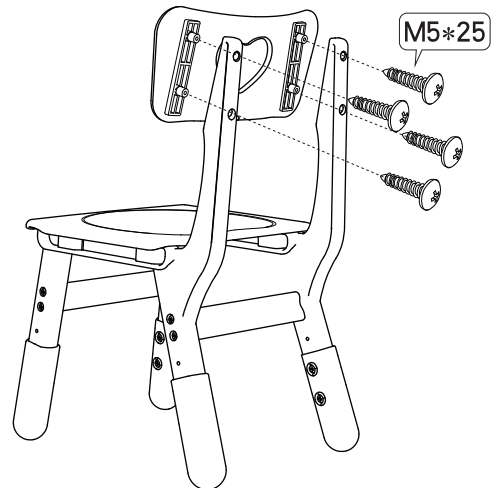
2 安装横梁



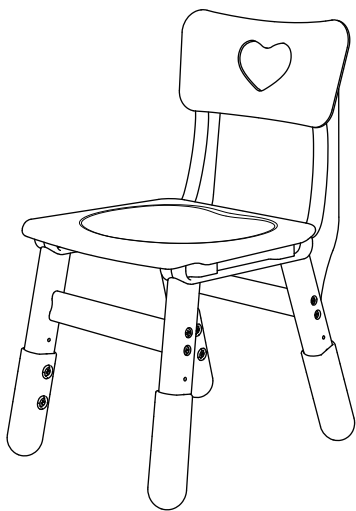
3 安装座板



4 安装靠板



5 成品图



安装配件

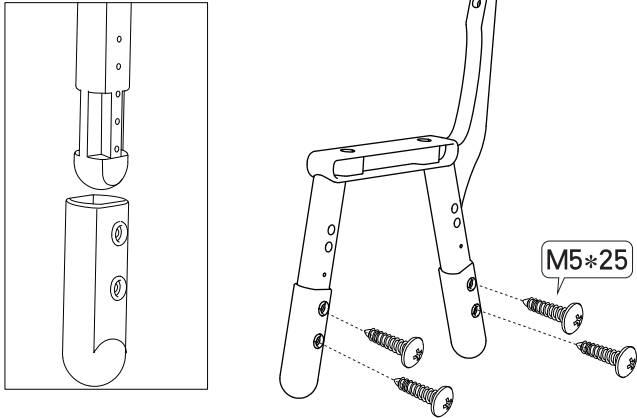


十字大扁头螺丝M5x25 24PC

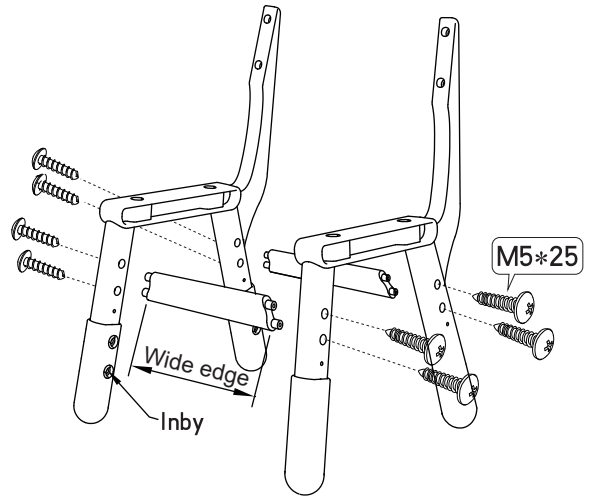
Kids chair install instruction

Replacement for YCX - 035

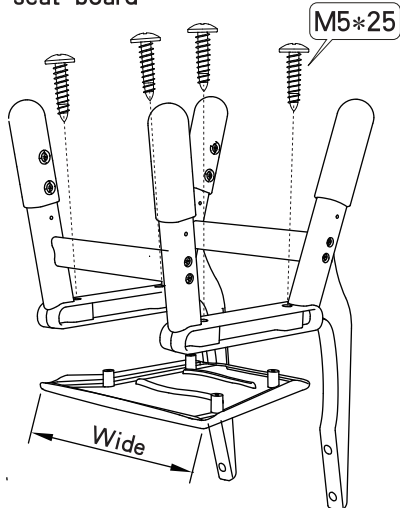
- 1** Choose the suitable height to install leg sleeve (26 28 30cm)



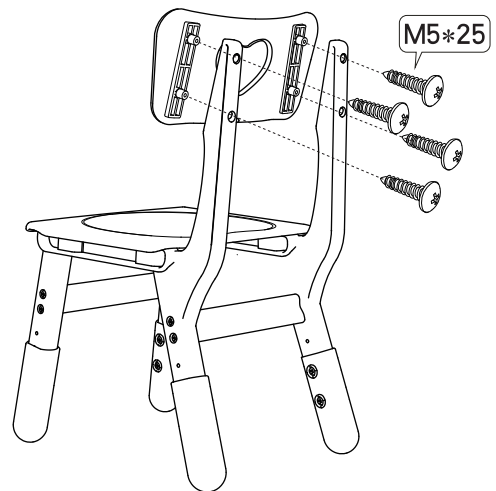
- 2** Installed the beam



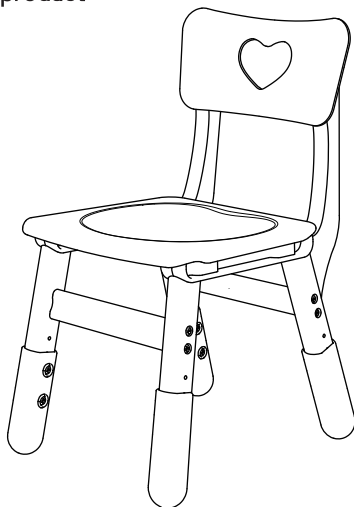
- 3** Install the seat board



- 4** Install the backboard



- 5** Finished product



Installation accessories

