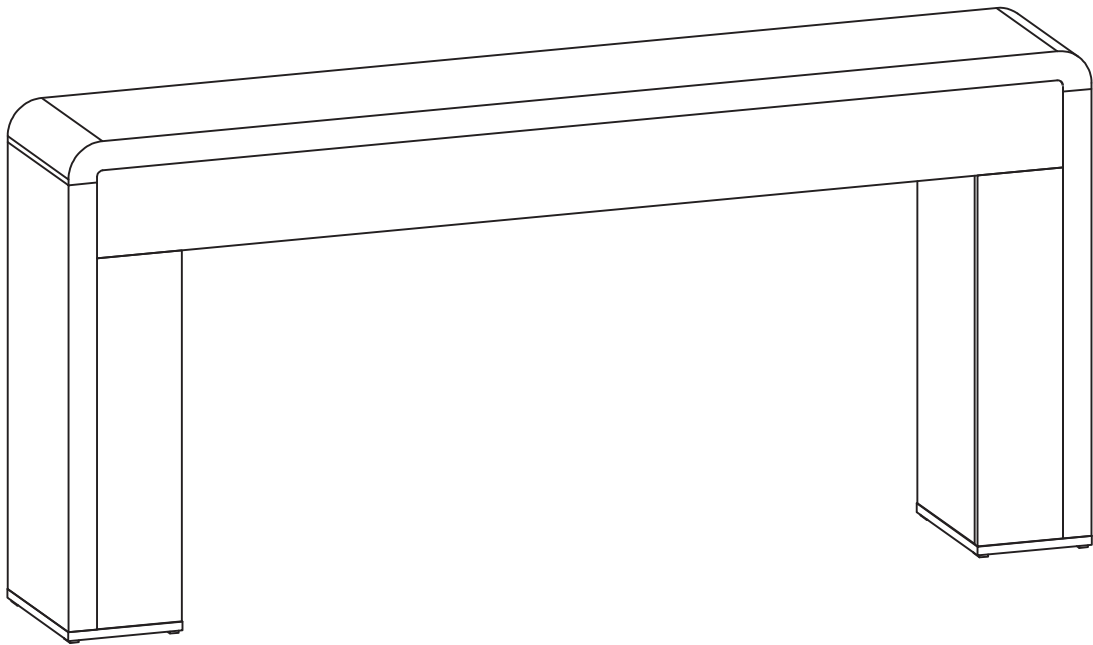


Assembly Instructions

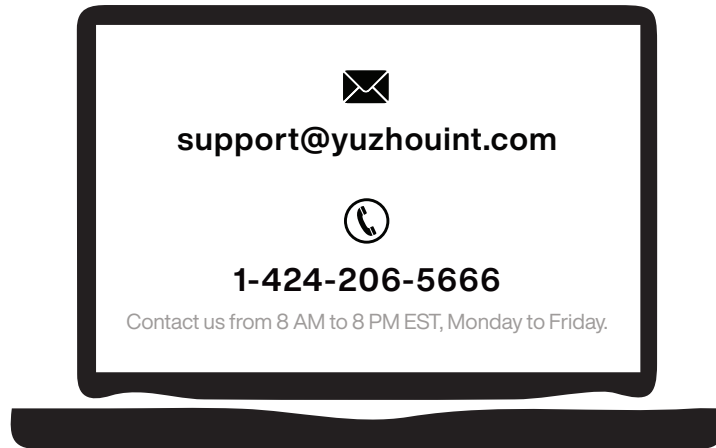


Console Table

Model No.
HOGA- F2269

Contact Us

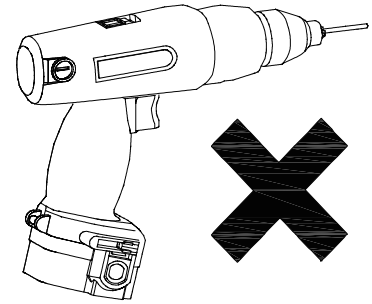
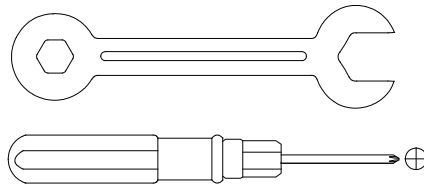
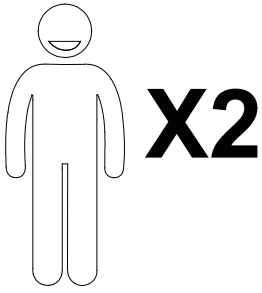
We're here to help you.



Your satisfaction is our top priority. If you encounter any issues with this product, such as missing or damaged parts, we're here to help. Please retain the original packaging and take photos of the packaging and the product, then contact us as soon as possible.

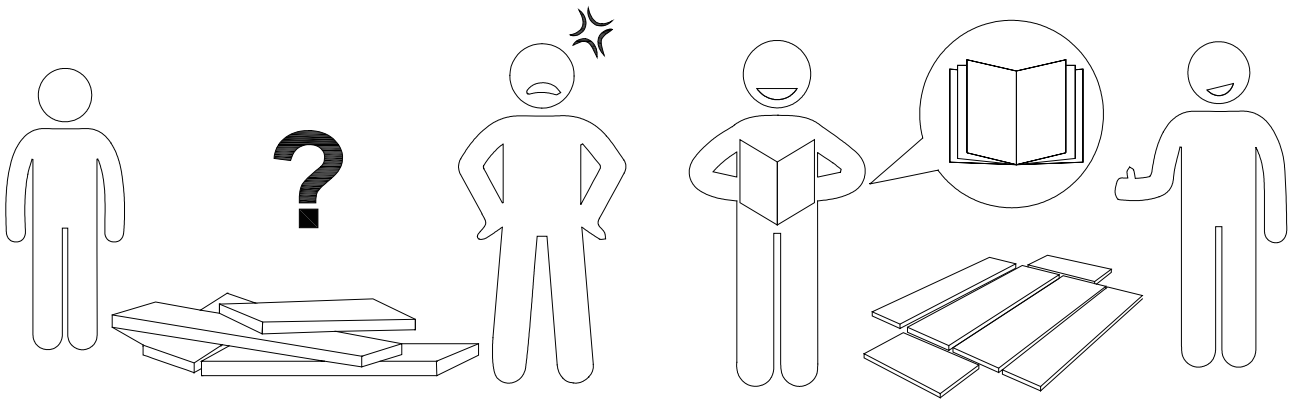
Warm Tips

1. Carefully read these instructions and keep them for future reference.
2. Check the parts list and confirm everything's there before starting assembly.
3. When assembling, put all parts on a soft, smooth surface like a carpet to avoid scratches.
4. Don't fully tighten screws until all parts are confirmed in place to avoid misalignment.



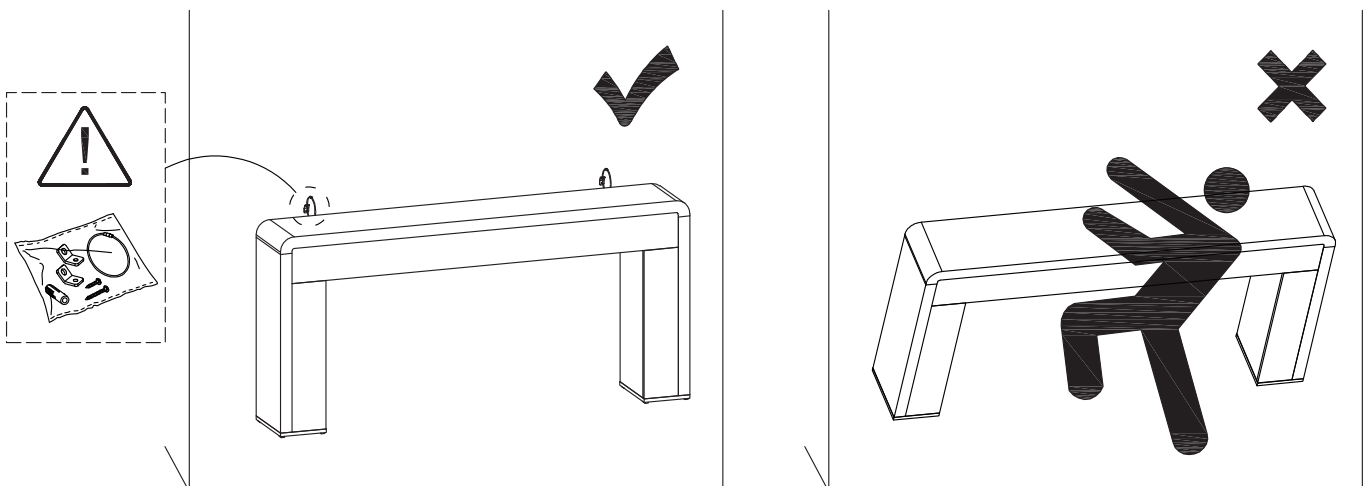
We recommend using hand tools for assembly.

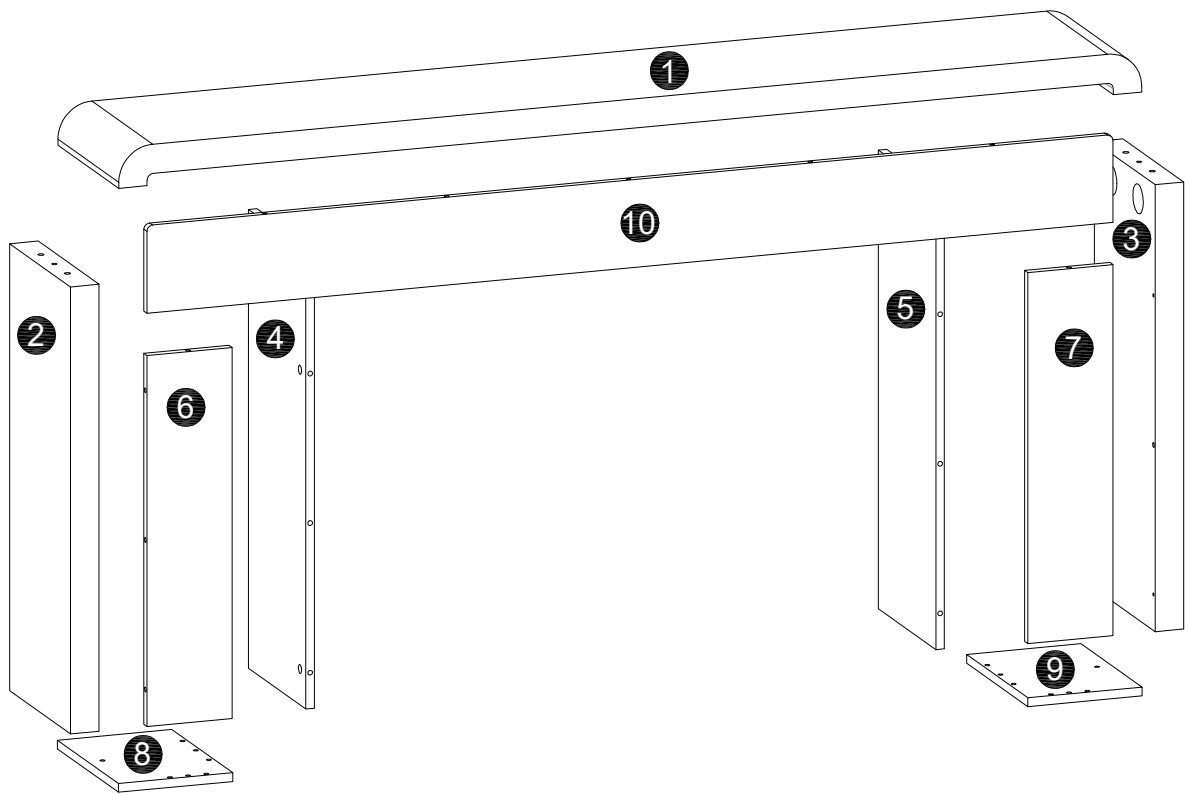
If an electric screwdriver is used, reduce power and torque to avoid damage to the product.



Install the Anti-Tip Straps

Using the anti-tip straps can reduce the risk of tipping over, but can not eliminate it.

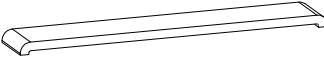

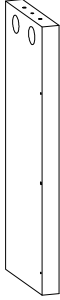




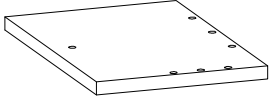
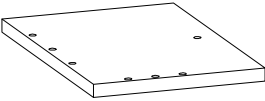







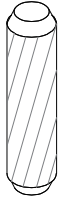
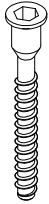

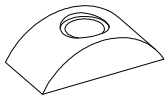
⚠ Caution

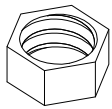
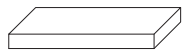
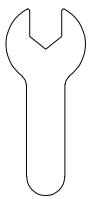
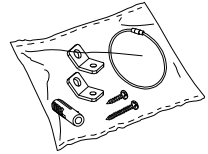
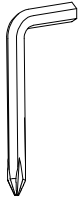
Make sure all parts are included. Most board parts are labeled or stamped on the raw edge. Contact us for a free replacement if you encounter any damaged or missing parts.

Parts List

<p>1</p>  <p>1 pc</p>	<p>2</p>  <p>1 pc</p>	<p>3</p>  <p>1 pc</p>	<p>4</p>  <p>1 pc</p>
<p>5</p>  <p>1 pc</p>	<p>6</p>  <p>1 pc</p>	<p>7</p>  <p>1 pc</p>	<p>8</p>  <p>1 pc</p>
<p>9</p>  <p>1 pc</p>	<p>10</p>  <p>1 pc</p>		

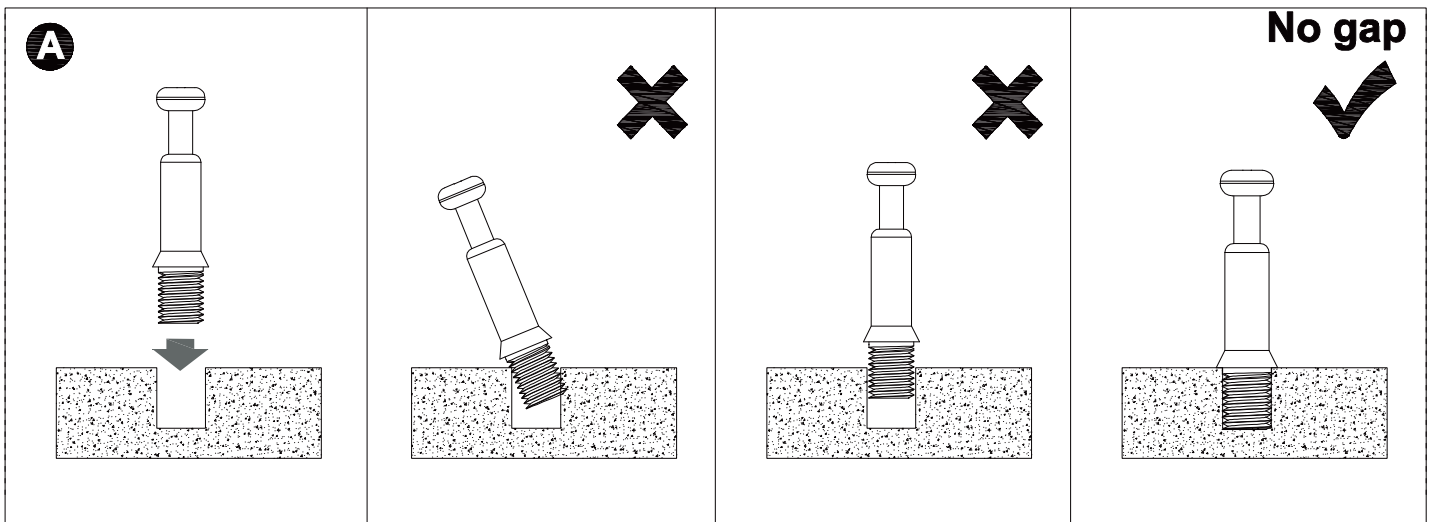
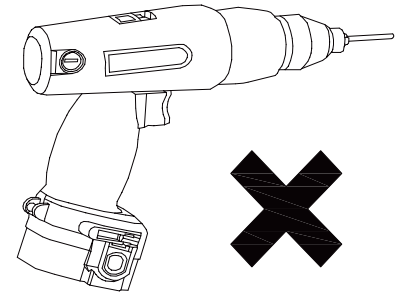
Hardware List

A	B	C	D	E	F
 <p data-bbox="159 504 287 537">6x35mm</p>	 <p data-bbox="383 504 526 537">15x12mm</p>	 <p data-bbox="622 504 750 537">8x30mm</p>	 <p data-bbox="861 504 989 537">7x40mm</p>	 <p data-bbox="1069 504 1212 537">M8x60mm</p>	
15 pcs+1 pc	15 pcs+1 pc	12 pcs+1 pc	10 pcs+1 pc	4 pcs+1 pc	4 pcs+1 pc

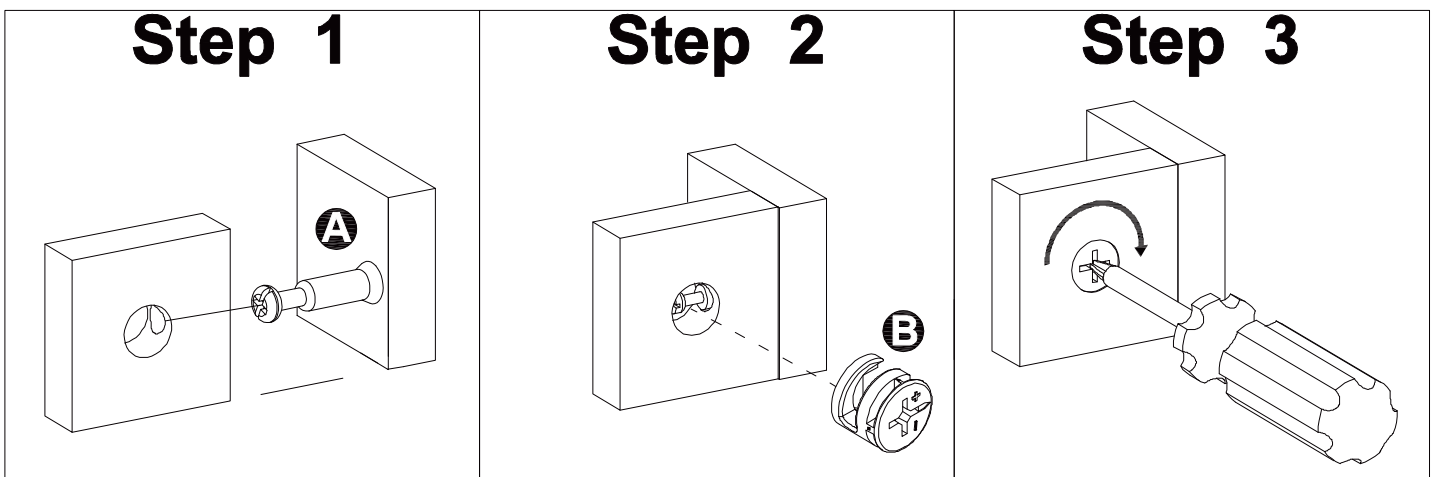
G	H	I	J	K
 <p data-bbox="183 974 231 1008">M8</p>				
4 pcs+1 pc	8 pcs	1 pc	2 pcs	1 pc

Installation of Cams and Pins

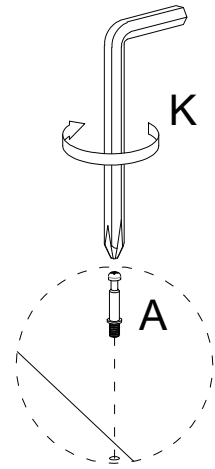
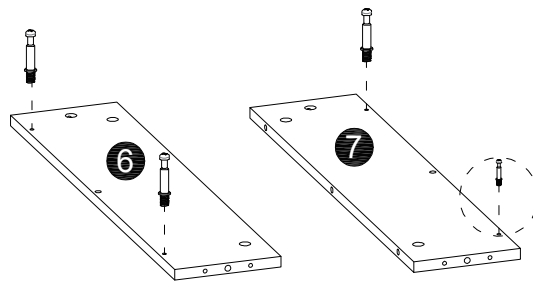
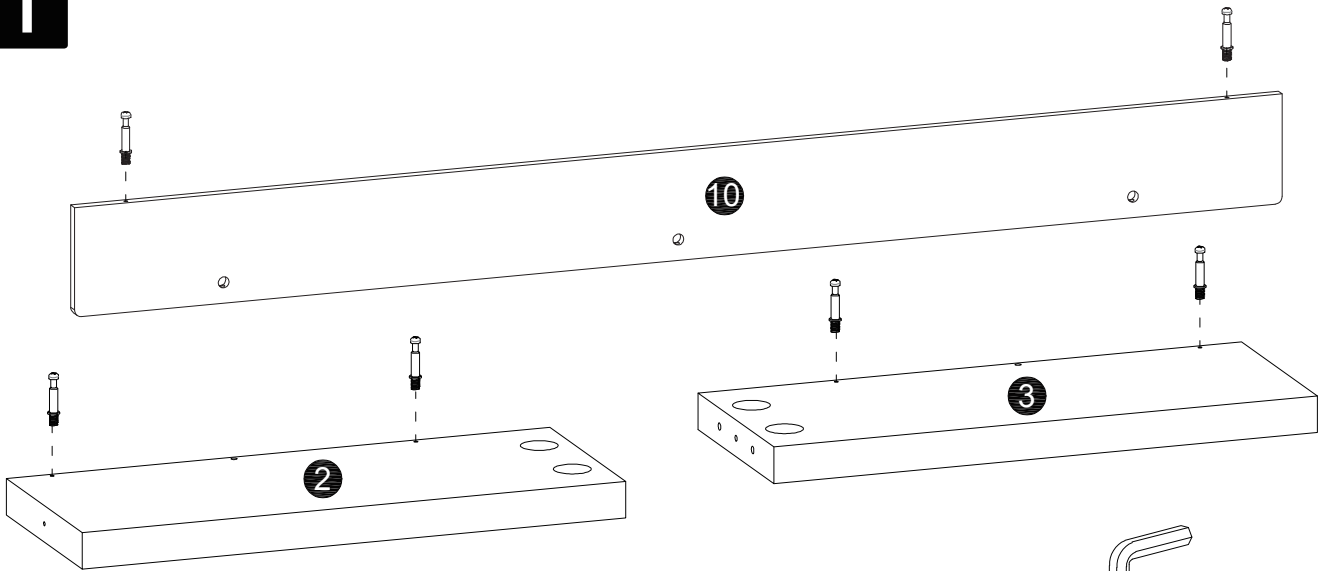
Read each step carefully before starting. Each step of instruction should be performed in the correct order. If these steps are not followed in sequence, assembly difficulties may occur.




Screw the pin into the hole. Set the cams correctly by aligning the head of the cams with the lock pins. Lock the cam by turning the cam head with a screwdriver until it is tightened. Please do not use an electric screwdriver to assemble the unit.

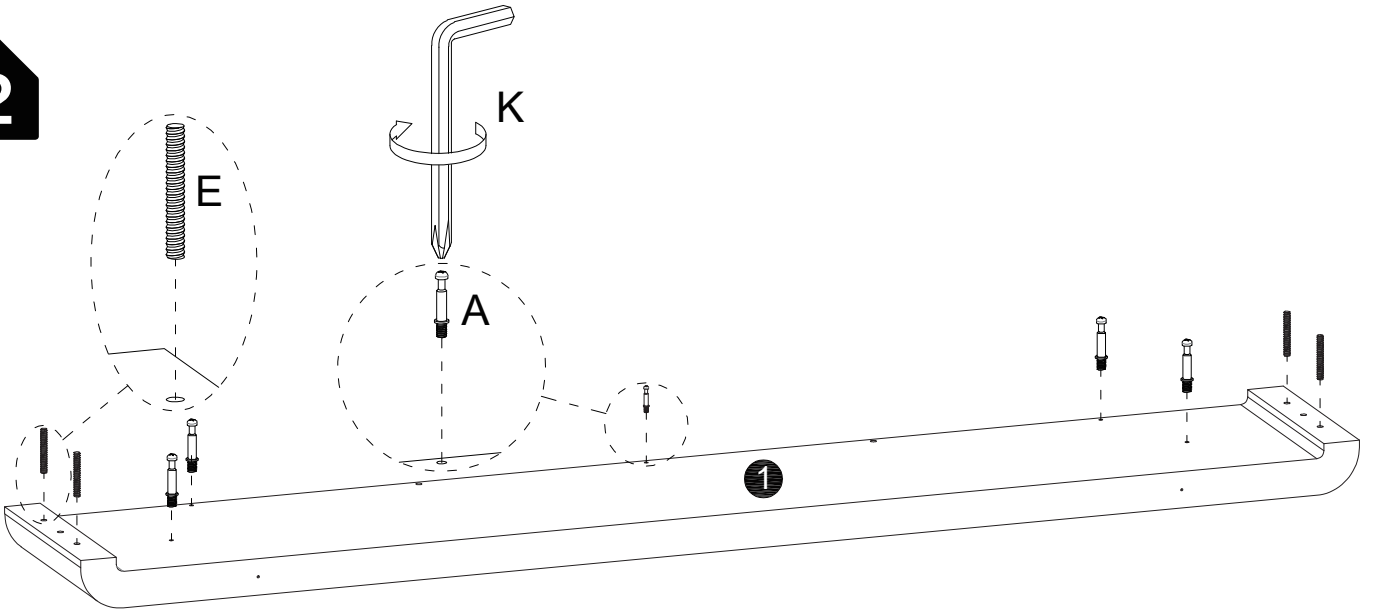




1



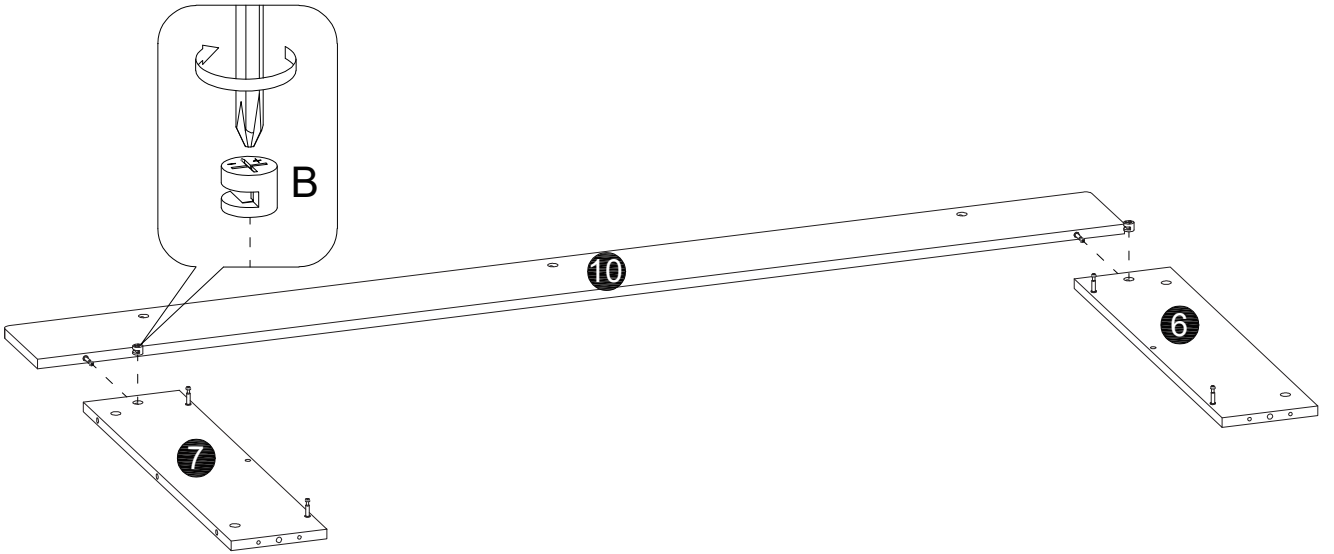
A

6x35mm
10 pcs


2

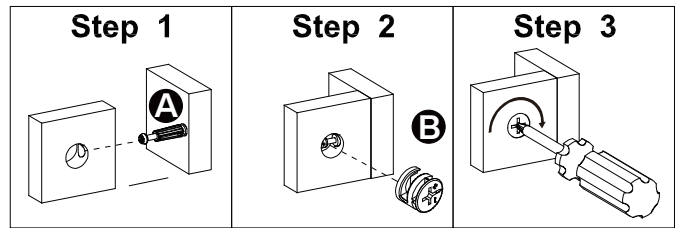


A	E
	
6x35mm	M8x60mm
5 pcs	4 pcs

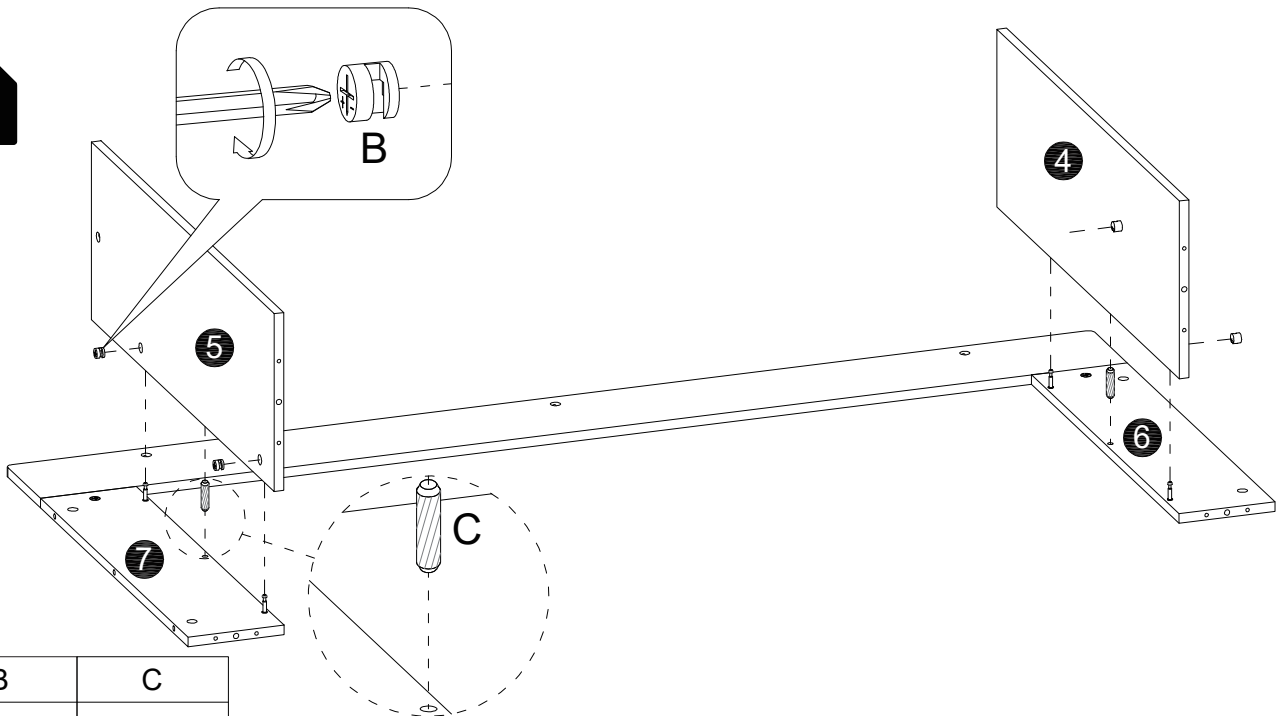
3


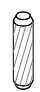


B

15x12mm
2 pcs

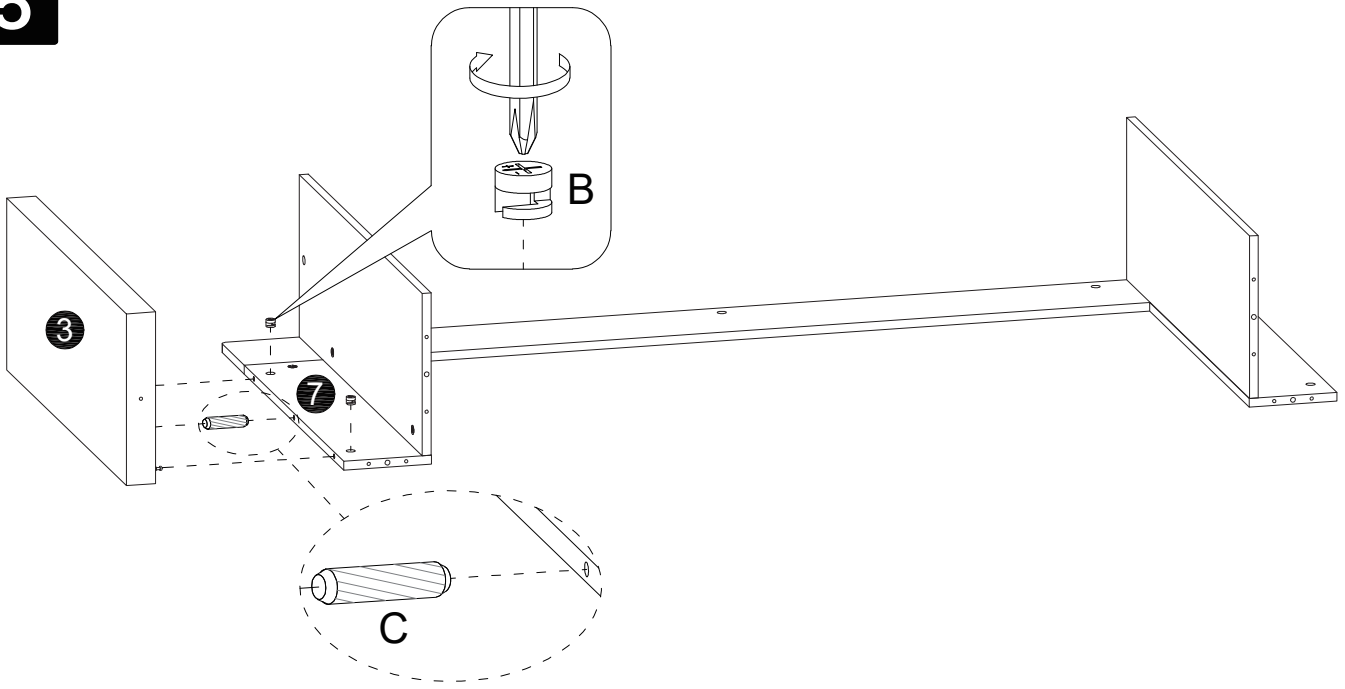



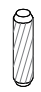
4

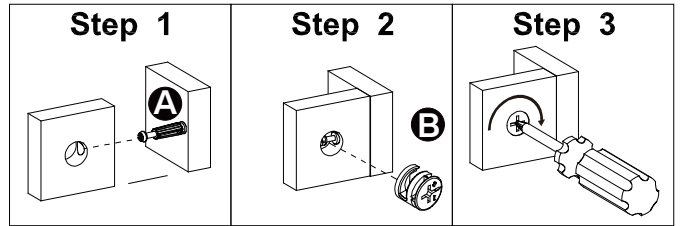


B	C
	
15x12mm	8x30mm
4 pcs	2 pcs

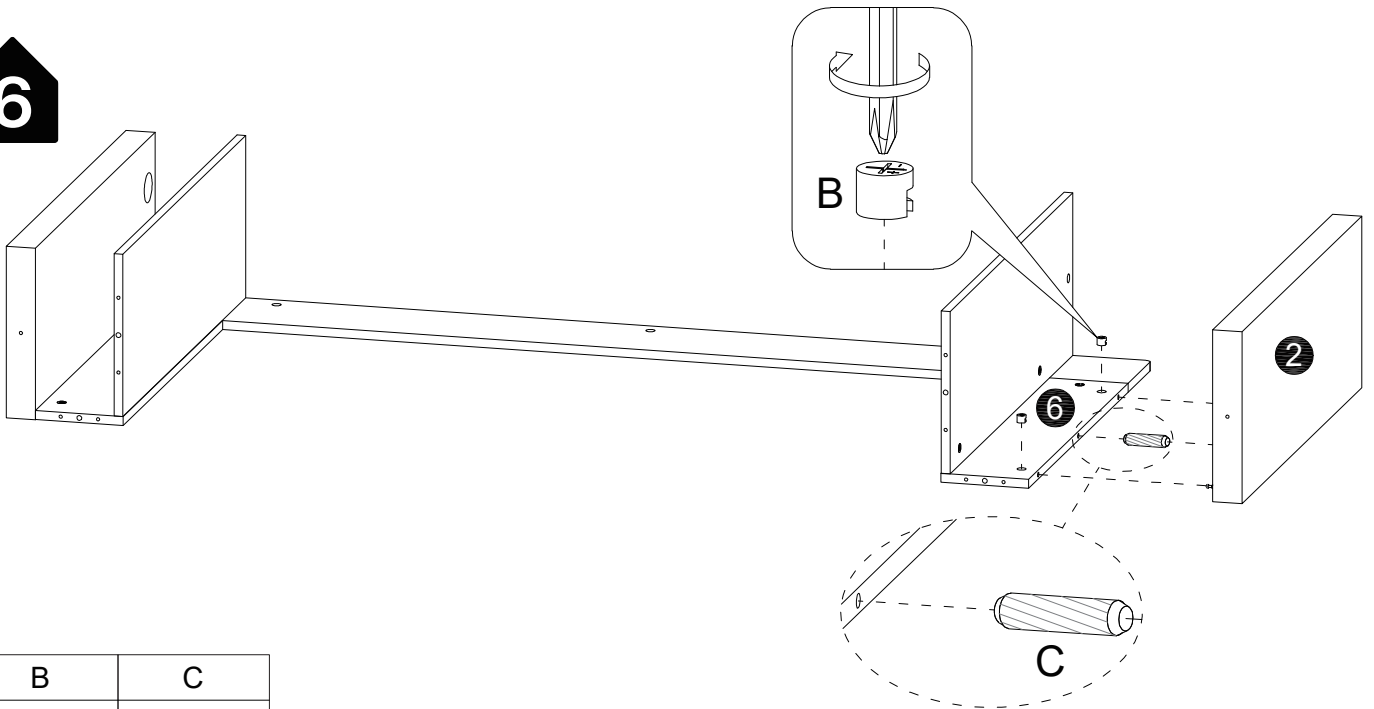
5


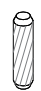


B	C
	
15x12mm	8x30mm
2 pcs	1 pc

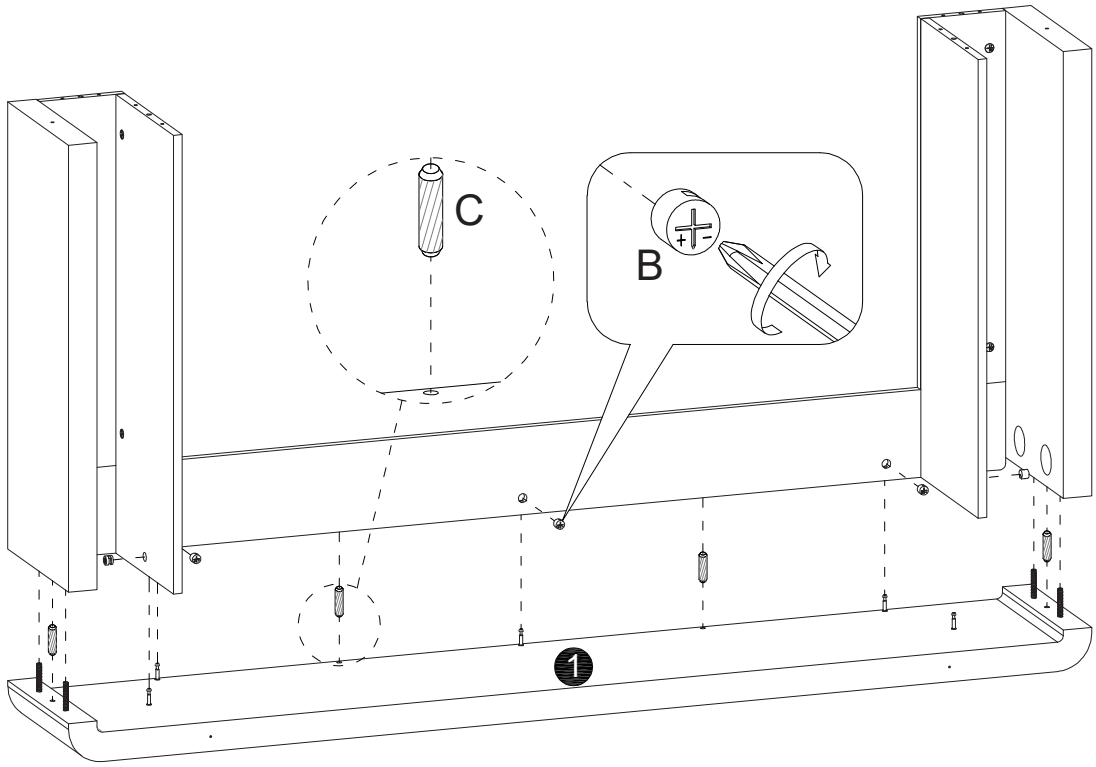



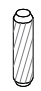
6

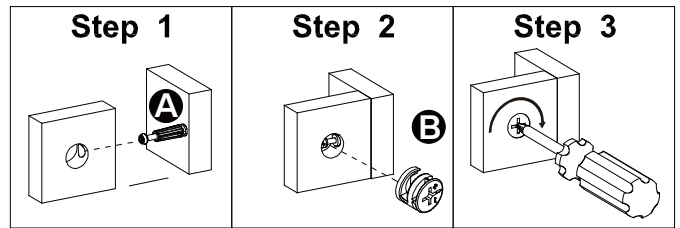


B	C
	
15x12mm	8x30mm
2 pcs	1 pc

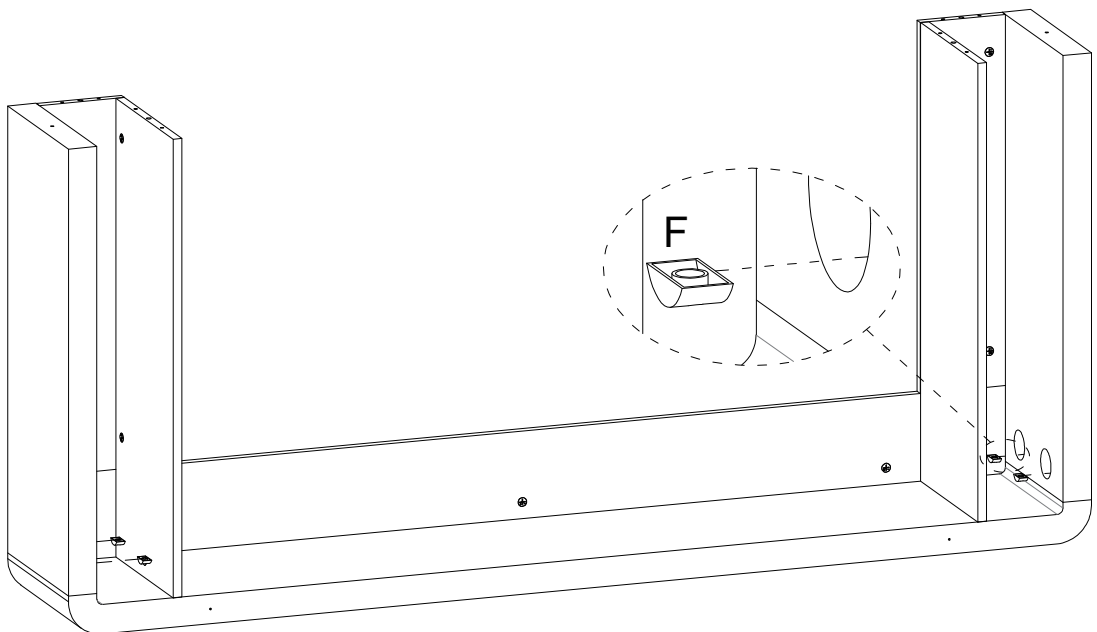
7

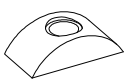


B	C
	
15x12mm	8x30mm
5 pcs	4 pcs

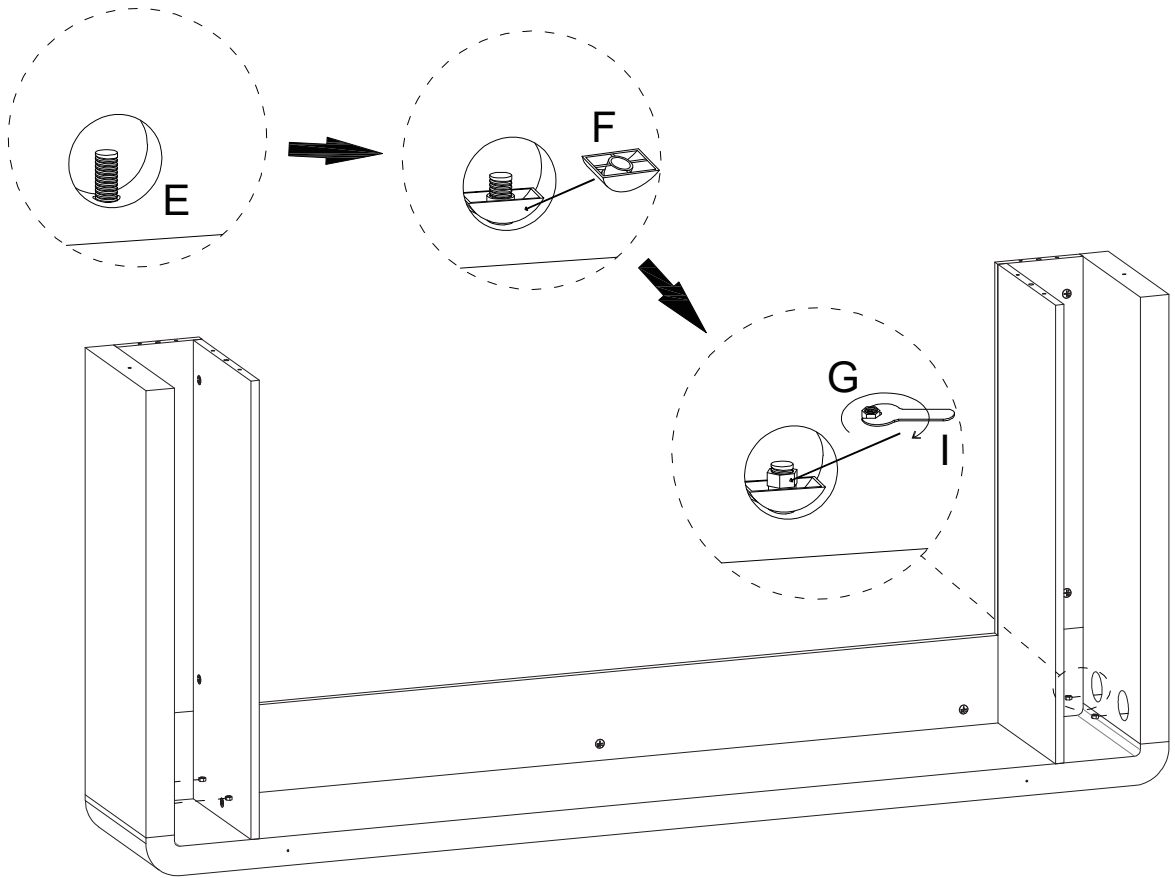



8



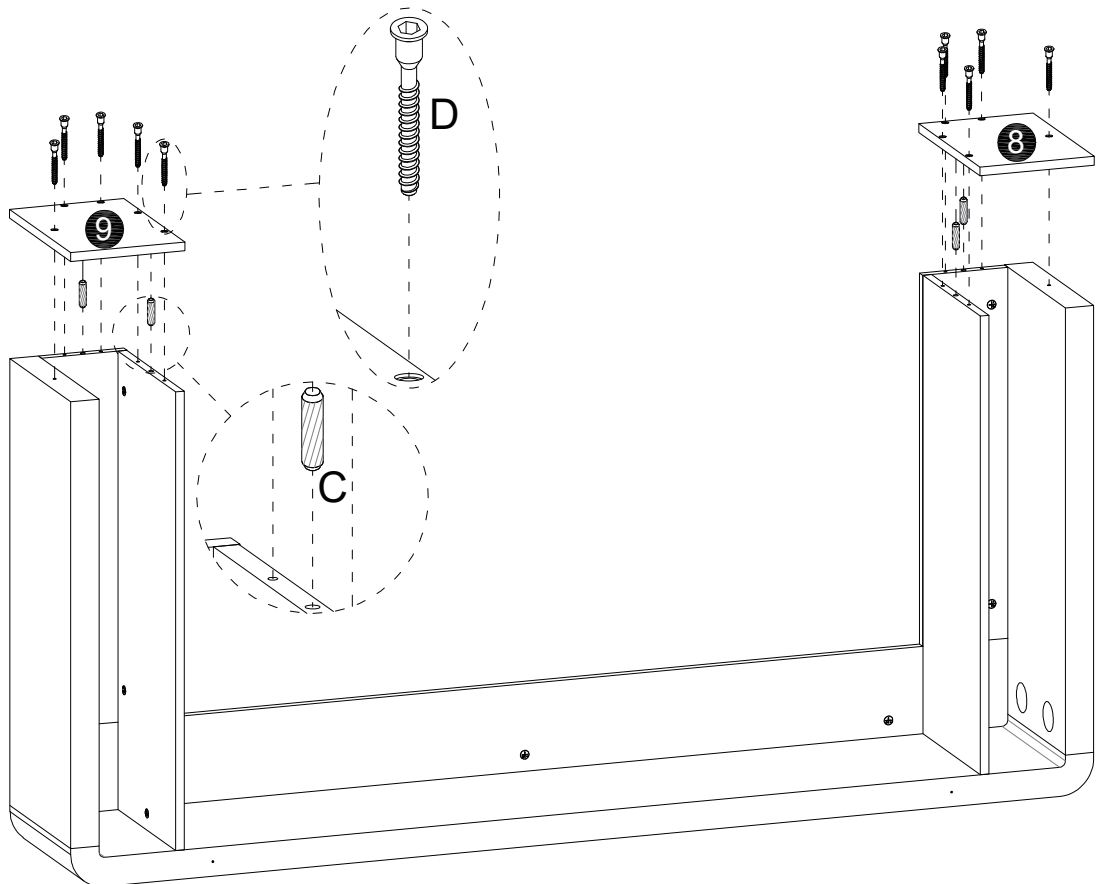
F

4 pcs



9



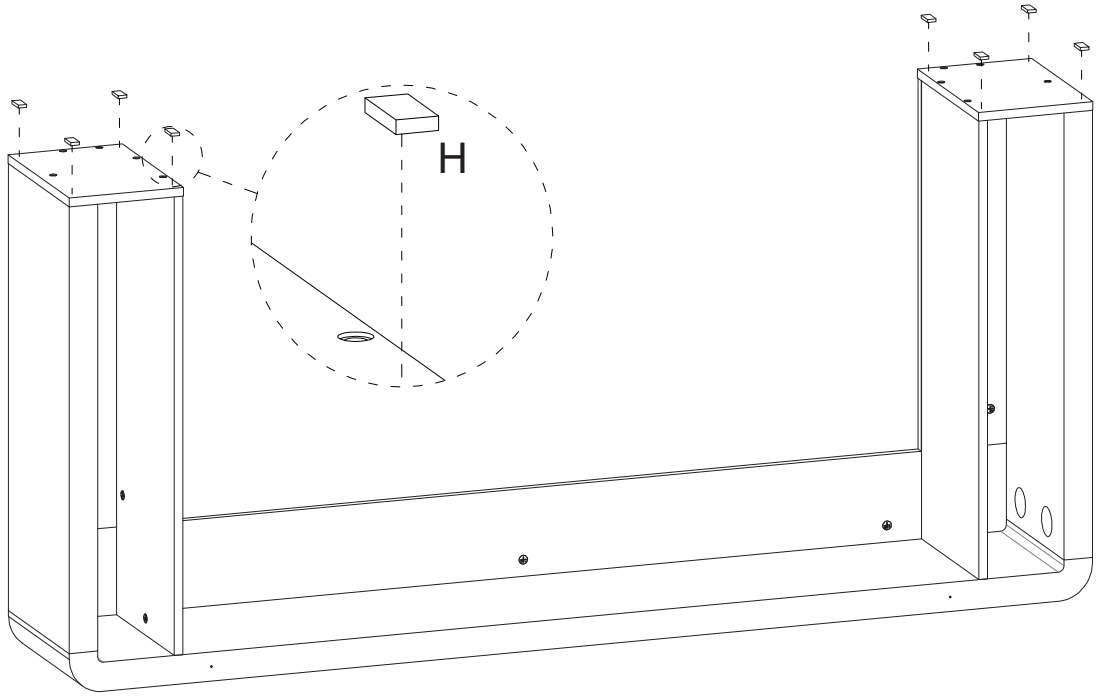
G

M8
4 pcs


10



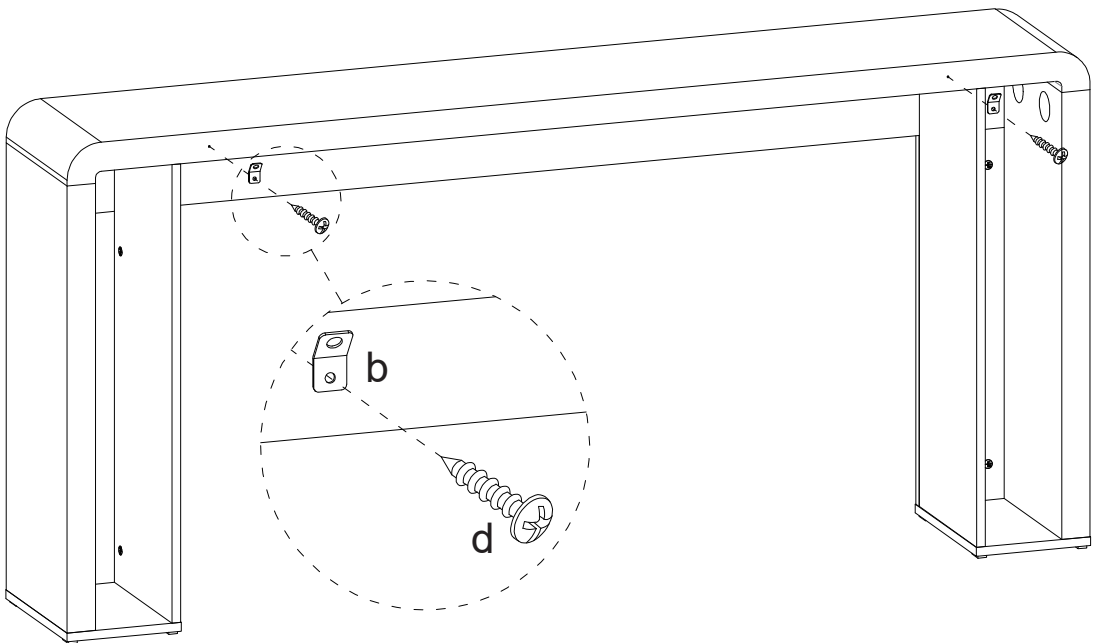
D	C
	
7x40mm	8x30mm
10 pcs	4 pcs


11



H

8 pcs

12



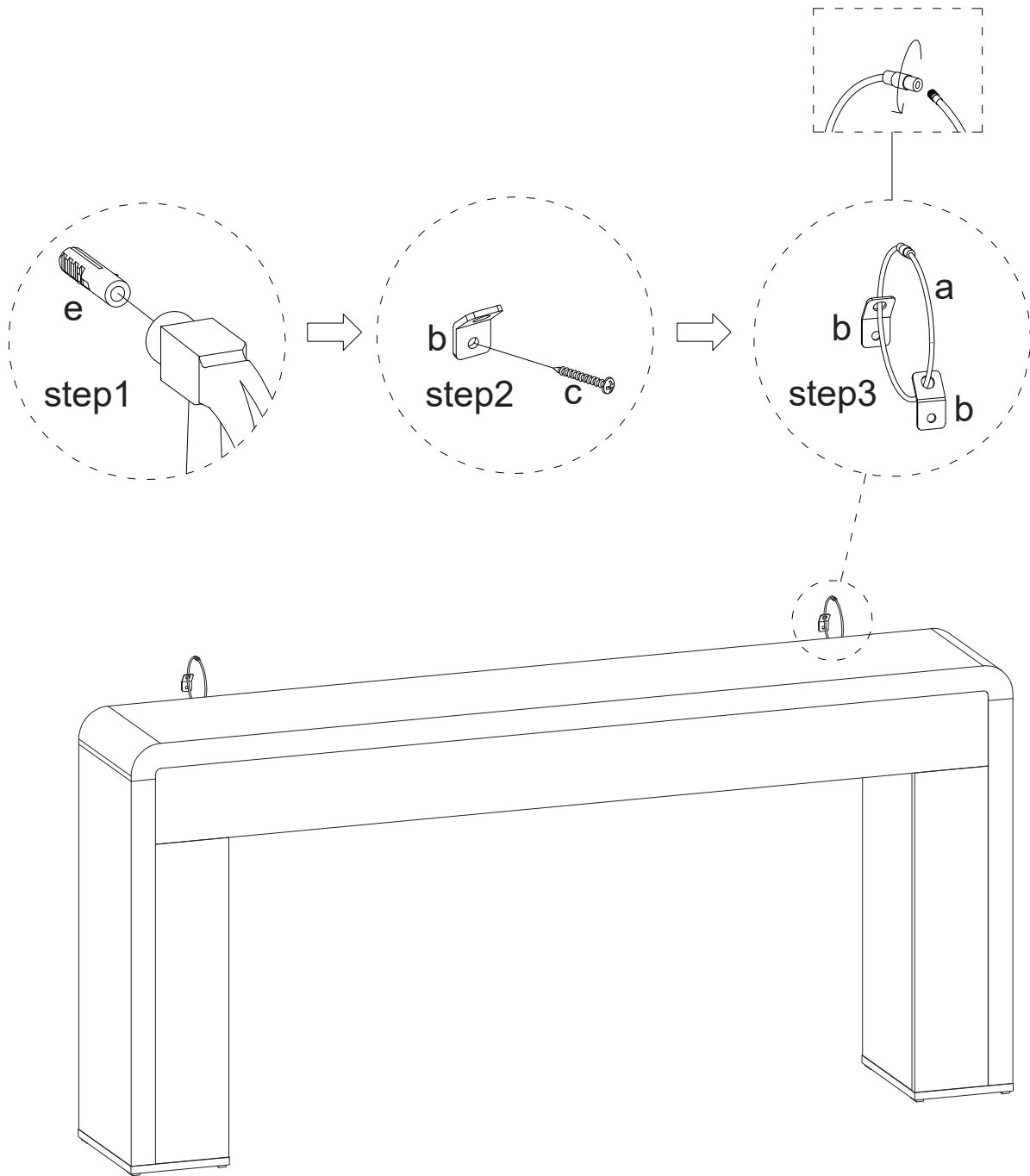
J

2 pcs



ⓑ! 2pcs



ⓓ! 2pcs



J
2 pcs



Ⓐ! 2pcs



Ⓑ! 2pcs



4! 35mm
Ⓒ! 2pcs



Ⓔ! 2pcs

Thank you for your support!

