



Assembly Instruction




Collection: CARISSA





Item No: D422-10

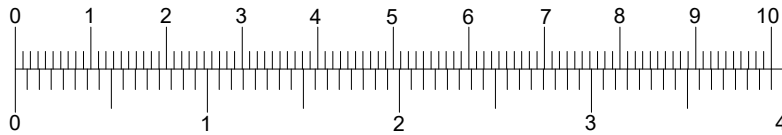
CARISSA 60" RECTANGLE DINING TABLE W/STORAGE SHELF

Thank you for purchasing this quality product. Be sure to check all packing materials carefully for small parts which may have come loose inside the carton during shipment. Identify and count all items and compare with the PARTS LIST and/or HARDWARE LIST shown below.

1. We recommend that you assemble this product with the assistance of another person; this will make the assembly easier, and will help eliminate damage to the product or injury to persons during assembly.
2. Please do not tighten screws or bolts until the assembly is completed.
3. To level the chairs or table, before tightening all the screws, the chairs or table must be placed on a flat surface and then tighten the screws.
4. Please put all parts on a non-abrasive floor before assembly and follow the assembly steps to assemble your newly purchased product correctly and efficiently.

PARTS LIST			
No.	DESCRIPTION	SKETCH	Q'TY
A	TABLE TOP		1
B	TABLE LEG		4
C	SHELF		1

HARDWARE LIST			
No.	DESCRIPTION	SKETCH	Q'TY
1	BOLT (5/16"x2-1/2")		12
2	SPRING WASHER (5/16")		12
3	FLAT WASHER (5/16"x3/4)		12
4	ALLEN KEY (M5x2-1/2")		1

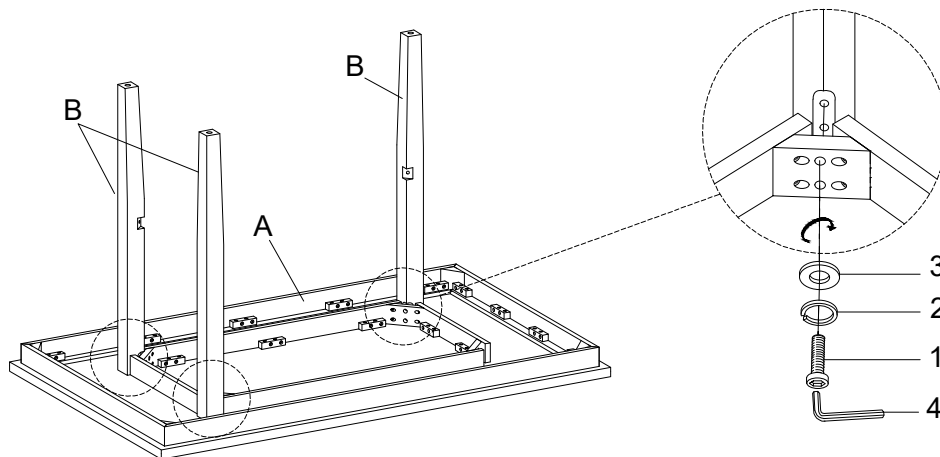


STEP 1:

Place the table top (A) upside down on a soft and clean surface.

Assemble three of the table leg (B) to the table top (A) by using Allen Key (4) with hardware 1, 2, and 3.

****Attention: DO NOT TIGHTEN THE BOLTS.**



MADE IN VIETNAM

Assembly Instruction

Collection: CARISSA

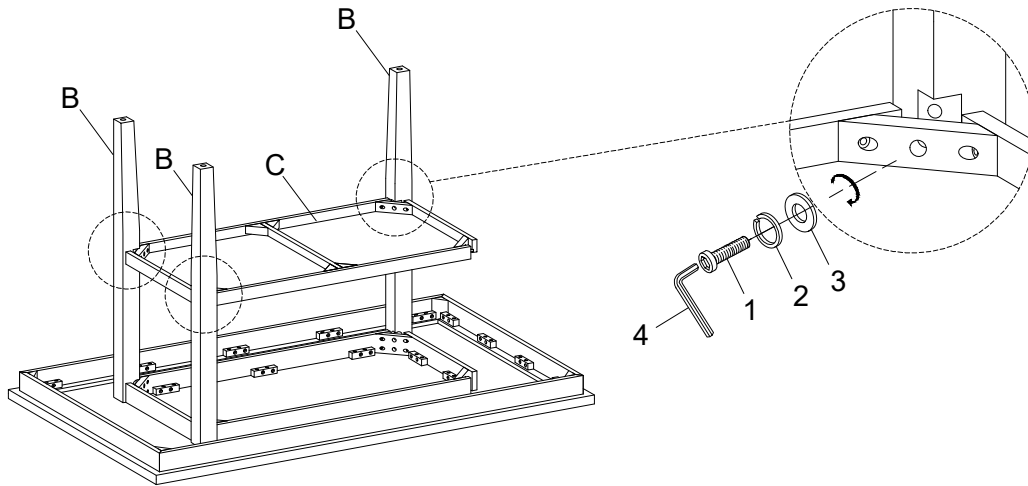
Item No: D422-10

CARISSA 60" RECTANGLE DINING TABLE W/STORAGE SHELF

STEP 2:

Assemble the shelf (C) to the table leg (B), by using Allen Key (4) with hardware 1, 2, and 3.

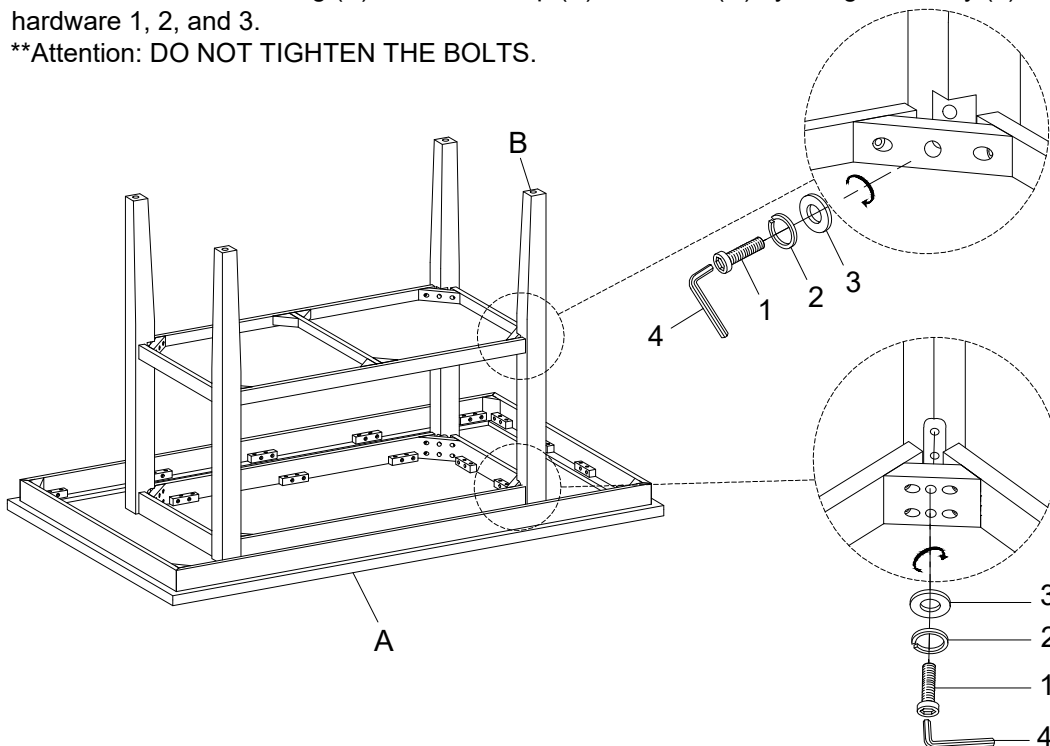
****Attention: DO NOT TIGHTEN THE BOLTS.**



STEP 3:

Assemble the last table leg (B) to the table top (A) and shelf (C) by using Allen Key (4) with hardware 1, 2, and 3.

****Attention: DO NOT TIGHTEN THE BOLTS.**



MADE IN VIETNAM



Assembly Instruction

Collection: CARISSA

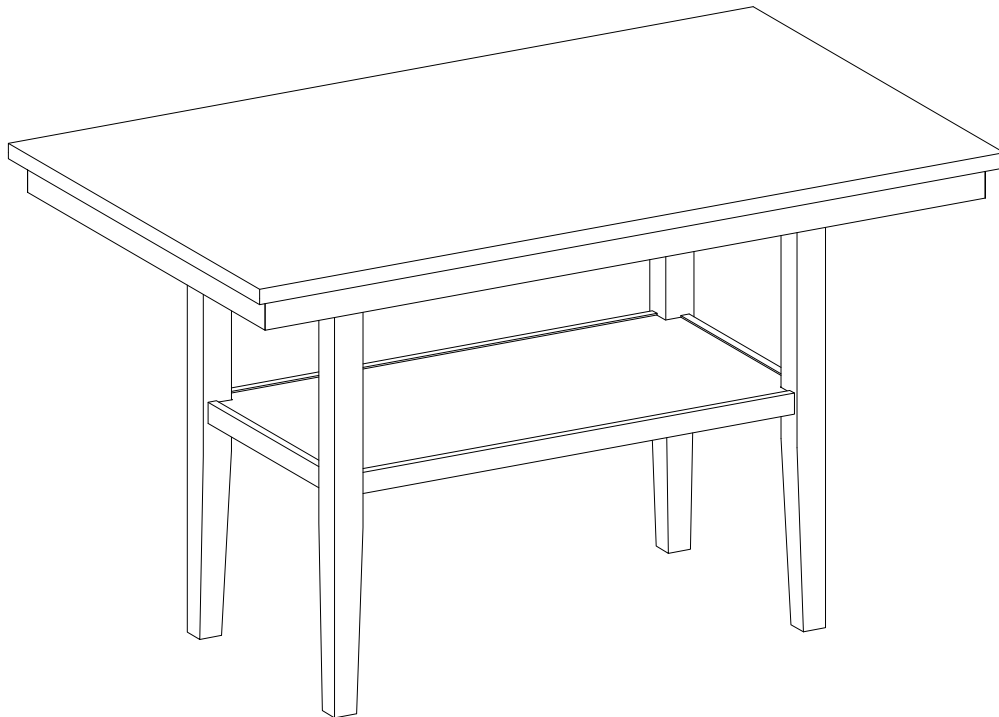
Item No: D422-10

CARISSA 60" RECTANGLE DINING TABLE W/STORAGE SHELF

STEP 4:

To level the table, stand the table up on a flat surface and tighten all the bolts by using Allen Key (4).

****Attention: DO NOT OVERTIGHTEN THE BOLTS.**



MADE IN VIETNAM