



ASSEMBLY INSTRUCTIONS COASTER FINE FURNITURE



Fine Furniture for every stage of life

205330KW (B1-B3) California King Storage Bed

REVISION 0 : 11/18/2019

PAGE 1 OF 11

COASTERFURNITURE.COM

ITEM: 205330KW (B1-B3)



ASSEMBLY INSTRUCTIONS

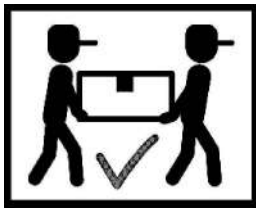
ASSEMBLY TIPS:

1. Remove hardware from box and sort by size.
2. Please check to see that all hardware and parts are present prior to start of assembly.
3. Please follow attached instructions in the same sequence as numbered to assure fast & easy assembly.



WARNING!

1. Don't attempt to repair or modify parts that are broken or defective. Please contact the store immediately.
2. This product is for home use only and not intended for commercial establishments.



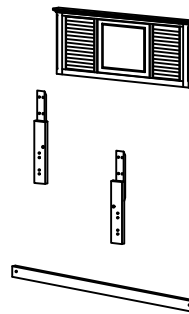
ASSEMBLY TIME

30 MINUTES

PARTS IDENTIFICATION

B1 (BOX 1)

- A HEADBOARD PANEL
- B LEFT HEADBOARD LEG
- C RIGHT HEADBOARD LEG
- D HEADBOARD BOTTOM RAIL



1PC

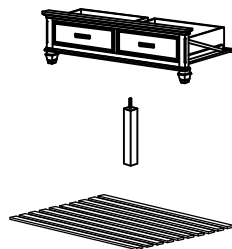
1PC

1PC

1PC

B2 (BOX 2)

- E STORAGE FOOTBOARD
- F DRAWER SUPPORT LEG WITH LEVELER
- G ROLL SLAT (10PCS)



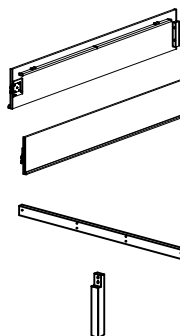
1PC

2PCS

1SET

B3 (BOX 3)

- H LEFT BED RAIL
- I RIGHT BED RAIL
- J CENTER RAIL
- K CENTER RAIL SUPPORT WITH LEVELER



1PC

1PC

1PC

2PCS

ITEM: 205330KW (B1-B3)



ASSEMBLY INSTRUCTIONS

ASSEMBLY TIPS:

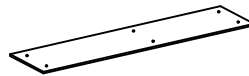
1. Remove hardware from box and sort by size.
2. Please check to see that all hardware and parts are present prior to start of assembly.
3. Please follow attached instructions in the same sequence as numbered to assure fast & easy assembly.



WARNING!

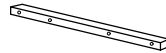
1. Don't attempt to repair or modify parts that are broken or defective. Please contact the store immediately.
2. This product is for home use only and not intended for commercial establishments.

L CONCEAL PANEL



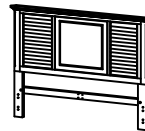
5PCS

M RAIL TOP



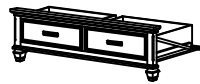
2PCS

HB 205330KW (B1)
FROM BOX 1
HEADBOARD COMPLETE



1PC

FB 205330KW (B2)
FROM BOX 2
STORAGE FOOTBOARD



1PC

ITEM:205330KW (B1-B3)



ASSEMBLY INSTRUCTIONS

ASSEMBLY TIPS:

1. Remove hardware from box and sort by size.
2. Please check to see that all hardware and parts are present prior to start of assembly.
3. Please follow attached instructions in the same sequence as numbered to assure fast & easy assembly.









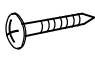

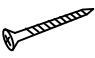



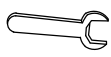



WARNING!

1. Don't attempt to repair or modify parts that are broken or defective. Please contact the store immediately.
2. This product is for home use only and not intended for commercial establishments.

HARDWARE IDENTIFICATION

Z-B3 (BOX 3) - HARDWARE PACK IS LOCATED IN 205330KW (B3)

1	ALLEN WRENCH (M4 x 110mm - BLK)		1PC
2	SHORT BOLT (M6 x 50mm - RBW)		16PCS
3	MEDIUM BOLT (M6 x 60mm - RBW)		8PCS
4	LONG BOLT (M6 x 70mm - RBW)		4PCS
5	LOCK WASHER (5/16" - RBW)		26PCS
6	BIG FLAT WASHER (5/16" x 18 x 1.2 - RBW)		18PCS
7	WOOD DOWEL (M8 x 30mm)		12PCS
8	SHORT PAN HEAD SCREW (M4 x 12mm - RBW)		30PCS
9	LONG PAN HEAD SCREW (M4 x 16mm - RBW)		6PCS
10	SHORT FLAT HEAD SCREW (M4 x 20mm - RBW)		8PCS
11	LONG FLAT HEAD SCREW (#8 x 1 1/8" - BLK)		20PCS
12	L BRACKET (BKT-4HC-01(2.0mm) - RBW)		2PCS
13	HEX NUT (M6 - RBW)		2PCS
14	U BRACKET (26 x 63 x 70mm - RBW)		2PCS
15	WRENCH (2 x 24.5 x 85 - RBW)		1PC
16	SMALL FLAT WASHER (M6 x 13mm - RBW)		8PCS

NOTE:

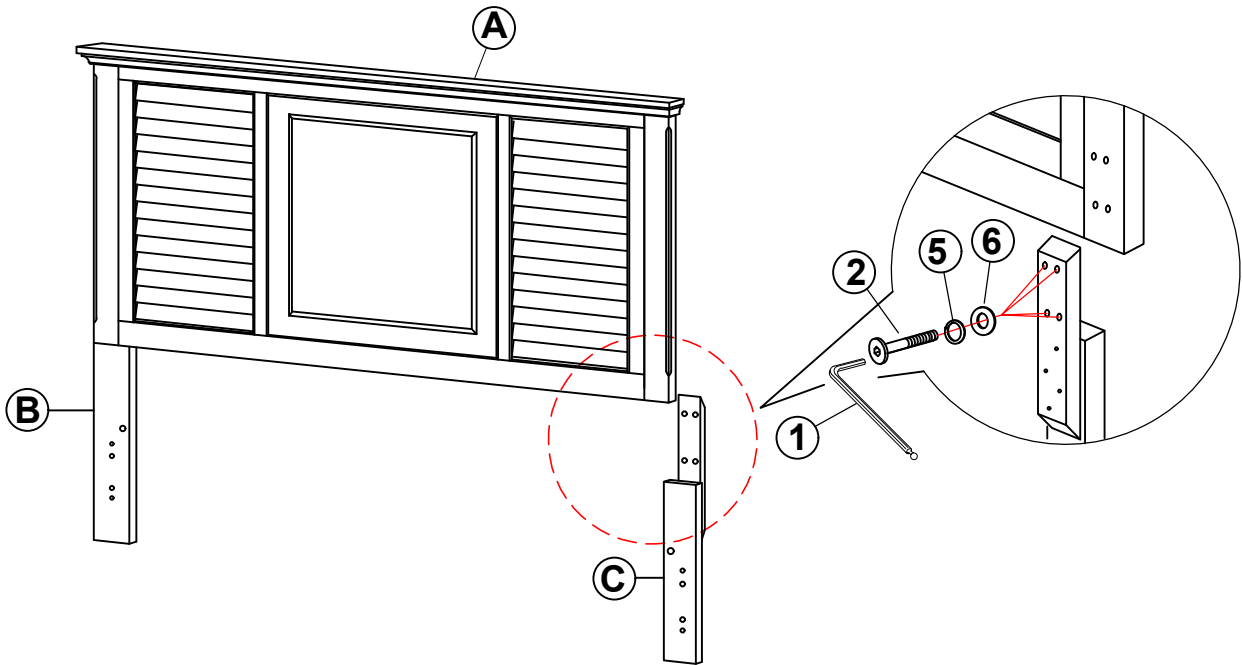
Phillips head screw driver is required in the assembly process; however, manufacturer does not provide this item.

ITEM: **205330KW (B1-B3)**

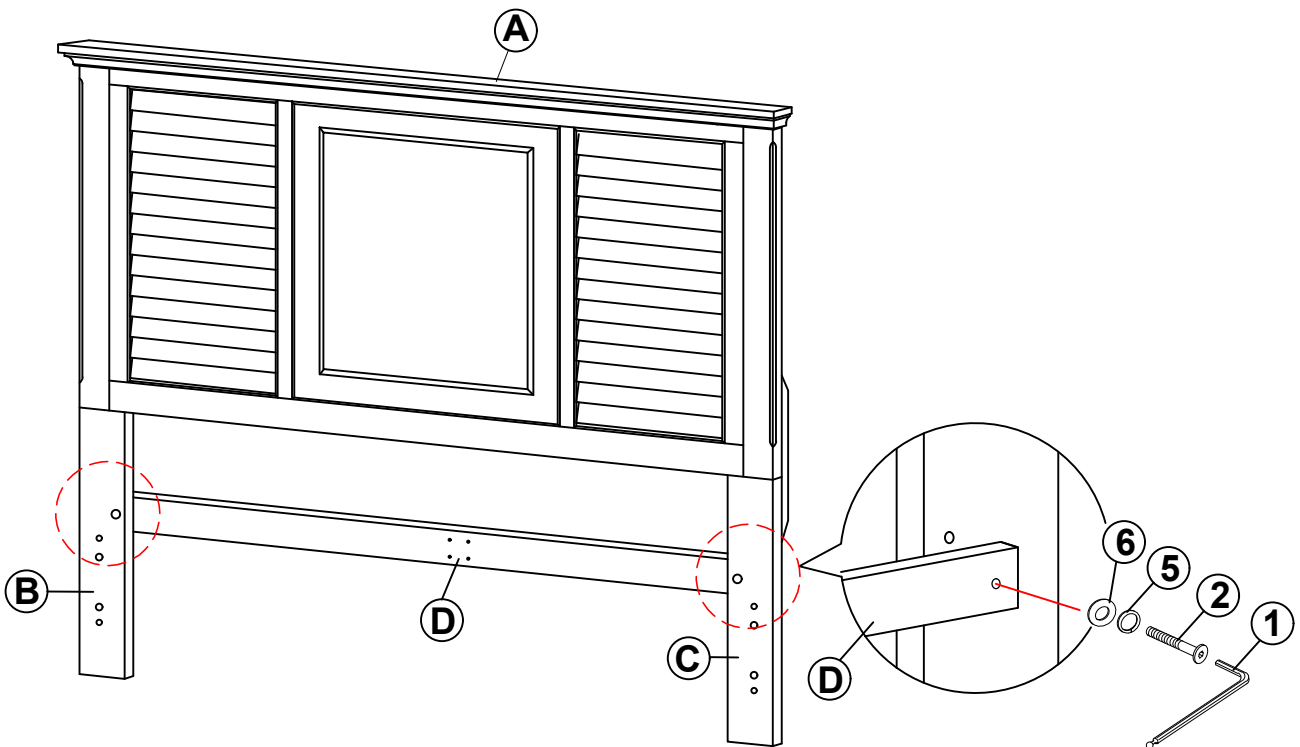


ASSEMBLY INSTRUCTIONS

STEP 1



STEP 2

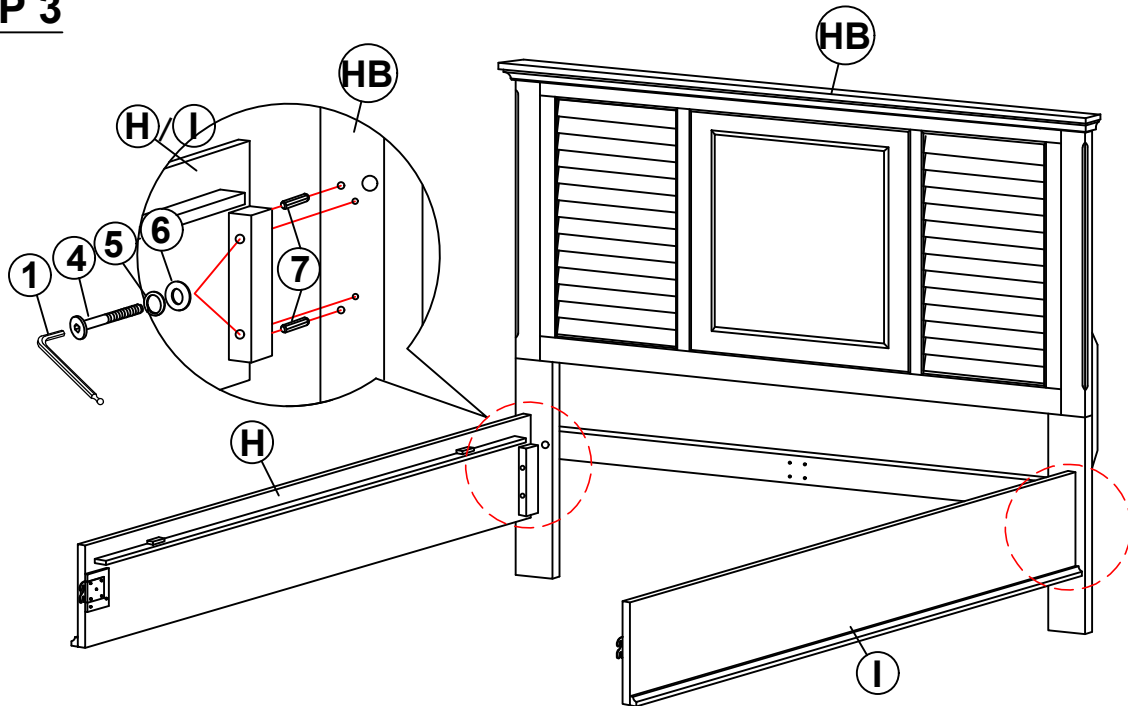


ITEM: **205330KW (B1-B3)**

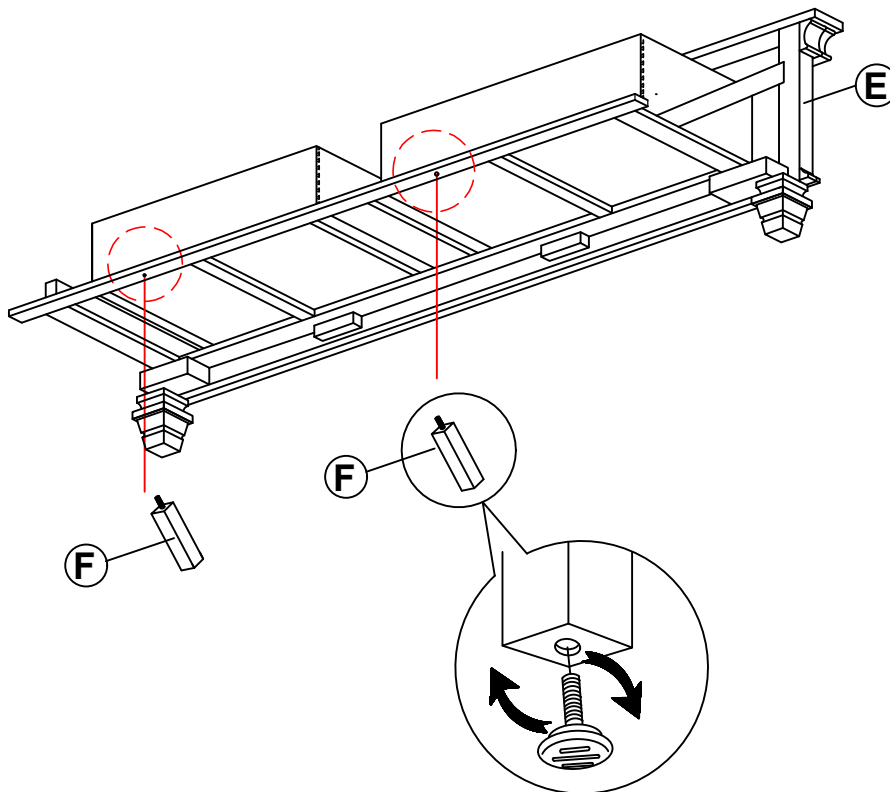


ASSEMBLY INSTRUCTIONS

STEP 3



STEP 4

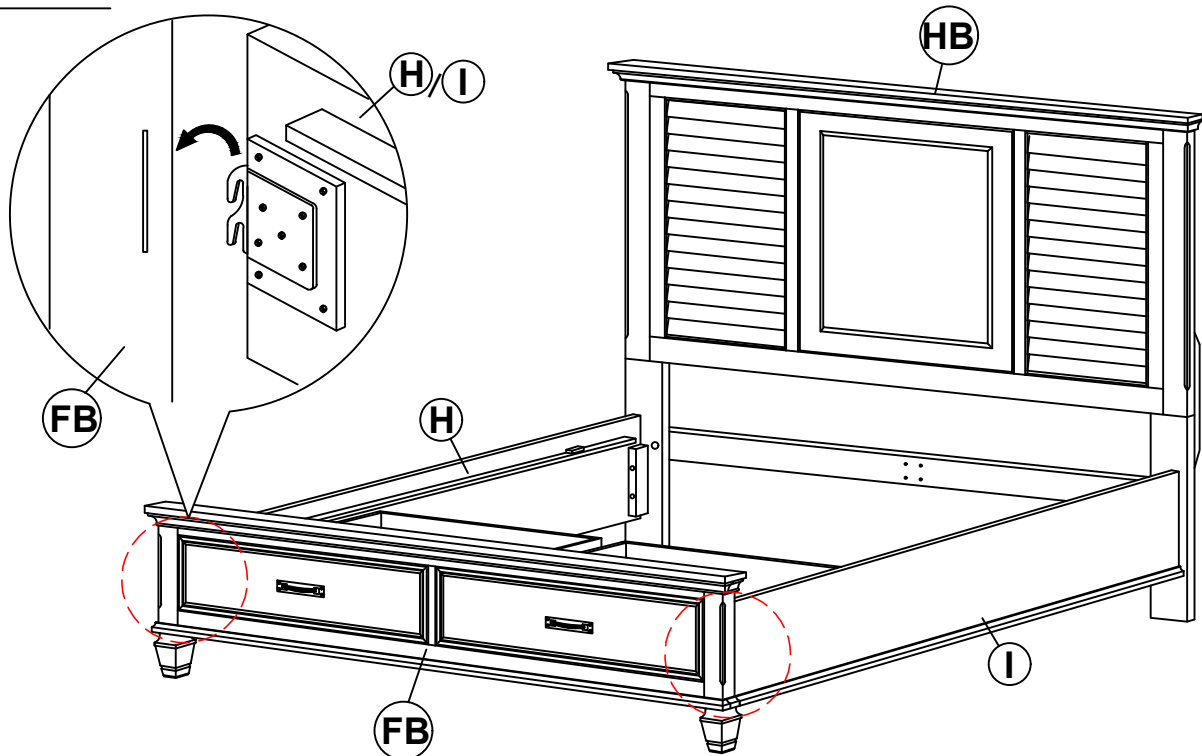


ITEM: 205330KW (B1-B3)

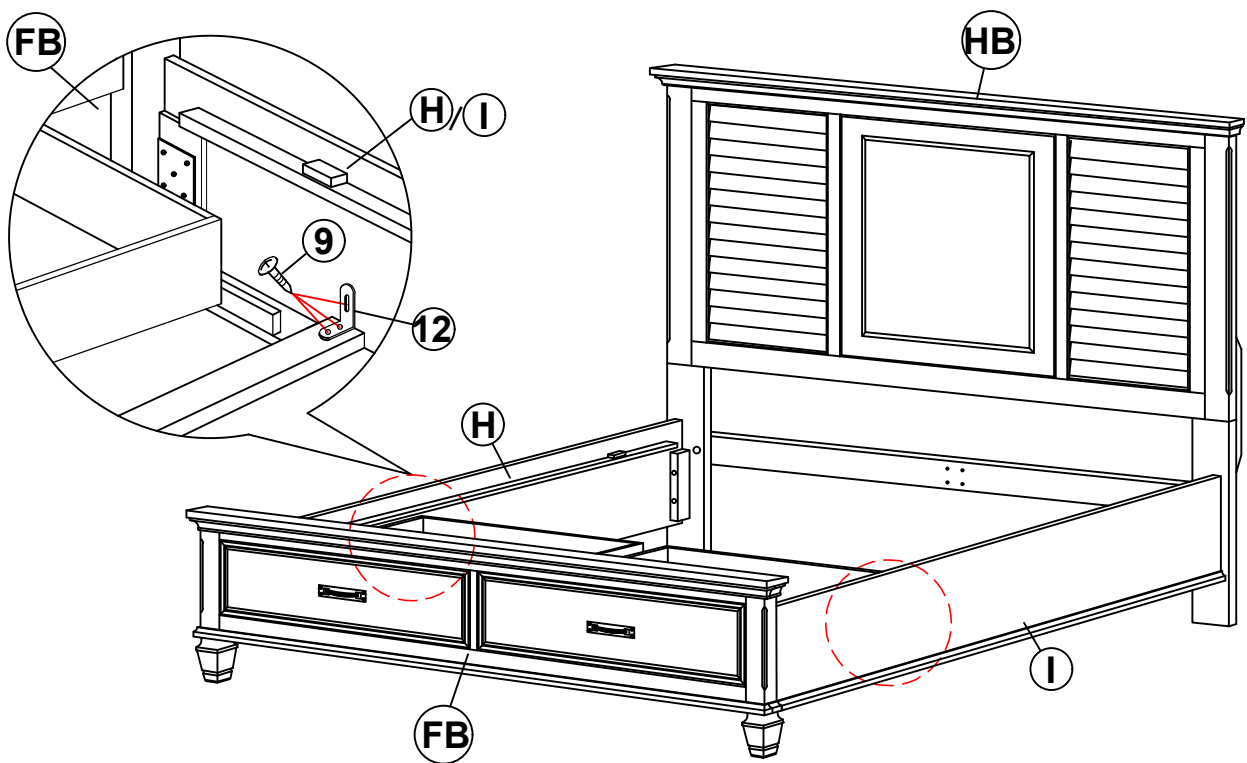


ASSEMBLY INSTRUCTIONS

STEP 5



STEP 6

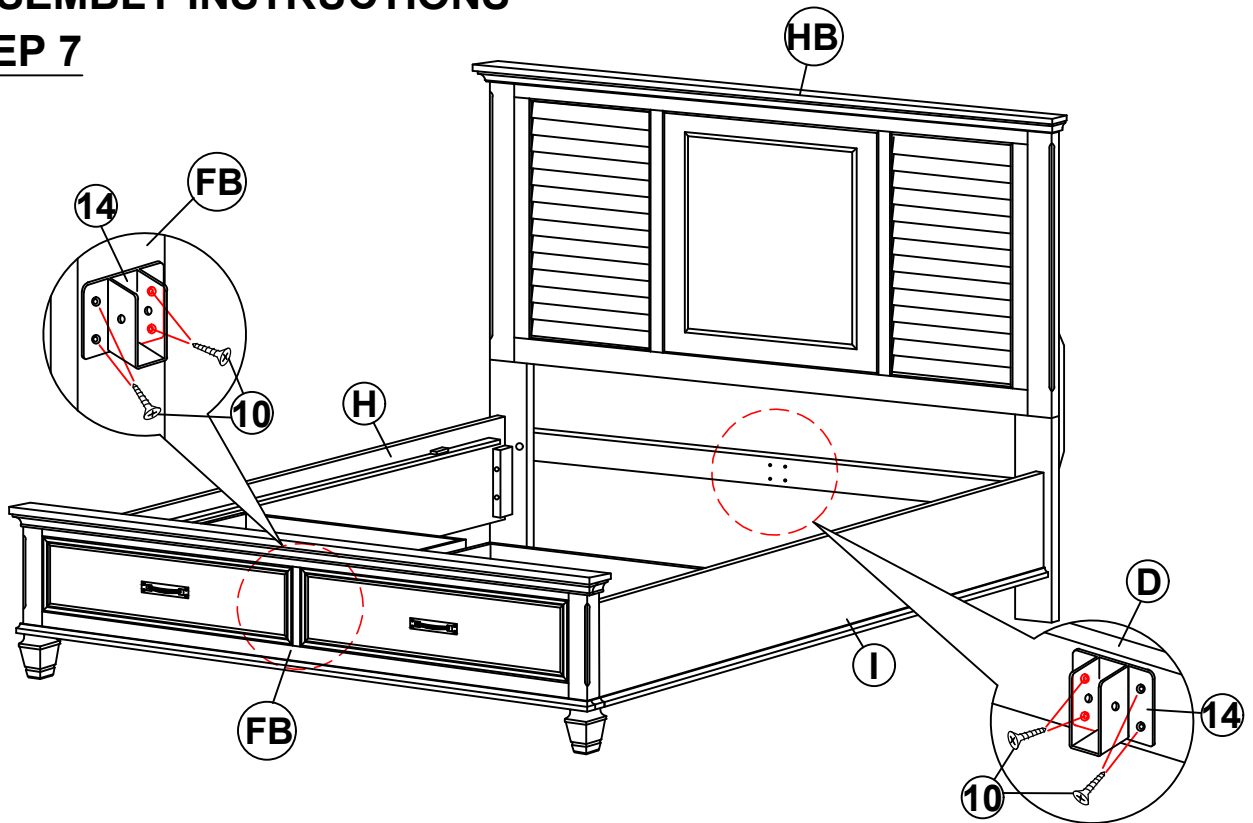


ITEM: 205330KW (B1-B3)

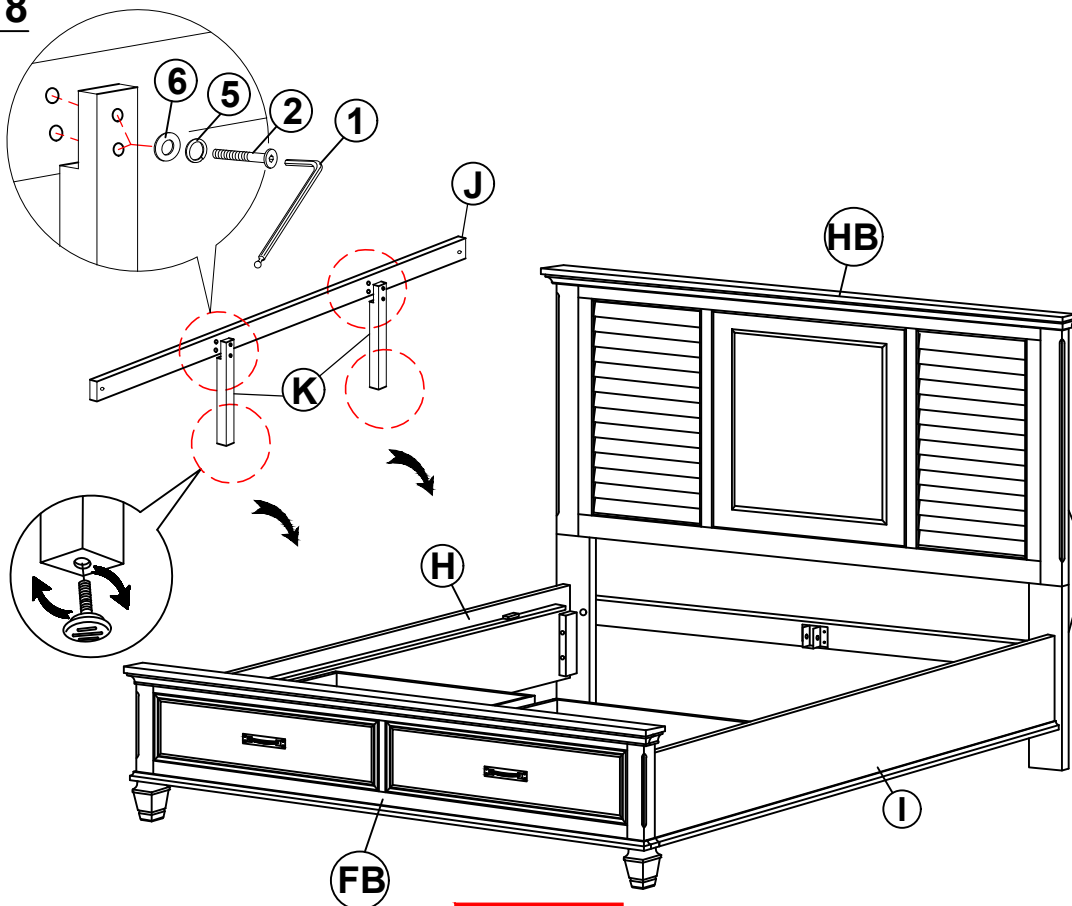


ASSEMBLY INSTRUCTIONS

STEP 7



STEP 8

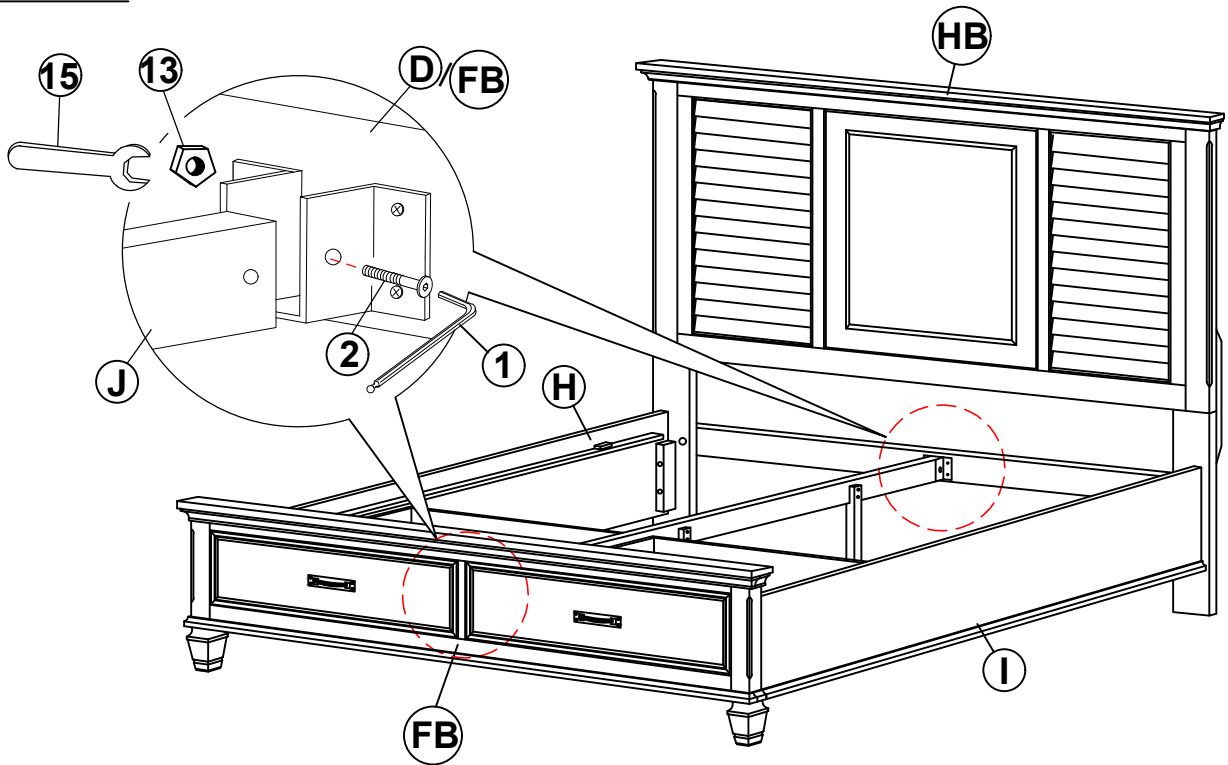


ITEM: 205330KW (B1-B3)

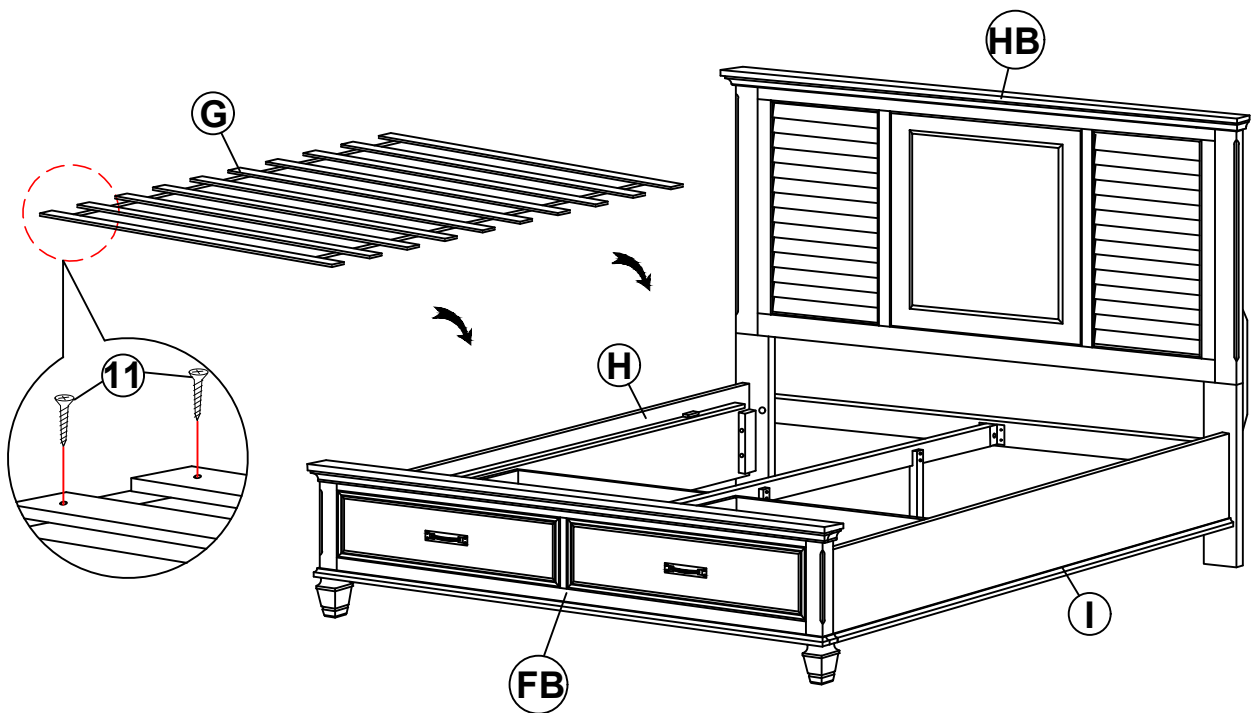


ASSEMBLY INSTRUCTIONS

STEP 9



STEP 10

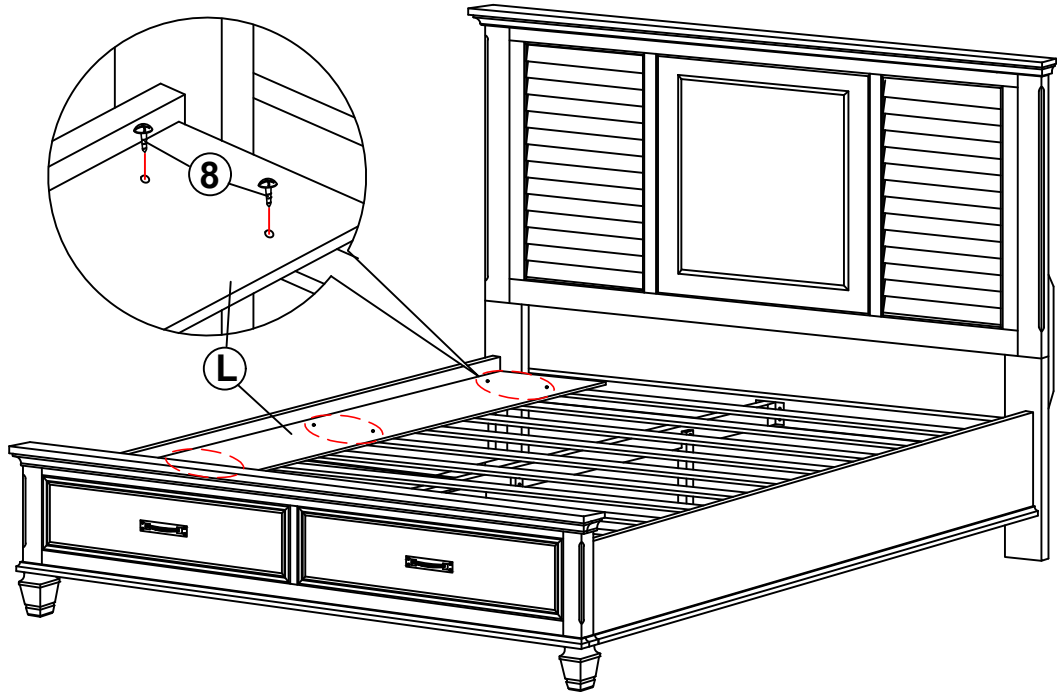


ITEM: 205330KW (B1-B3)

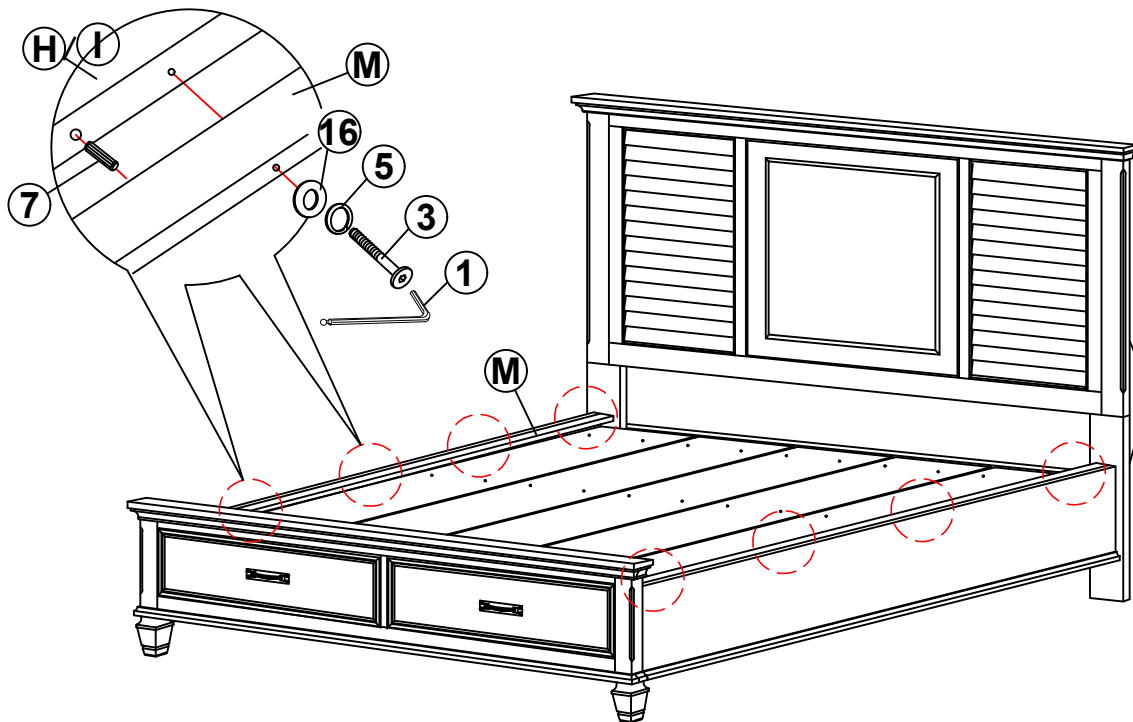


ASSEMBLY INSTRUCTIONS

STEP 11



STEP 12



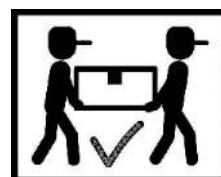
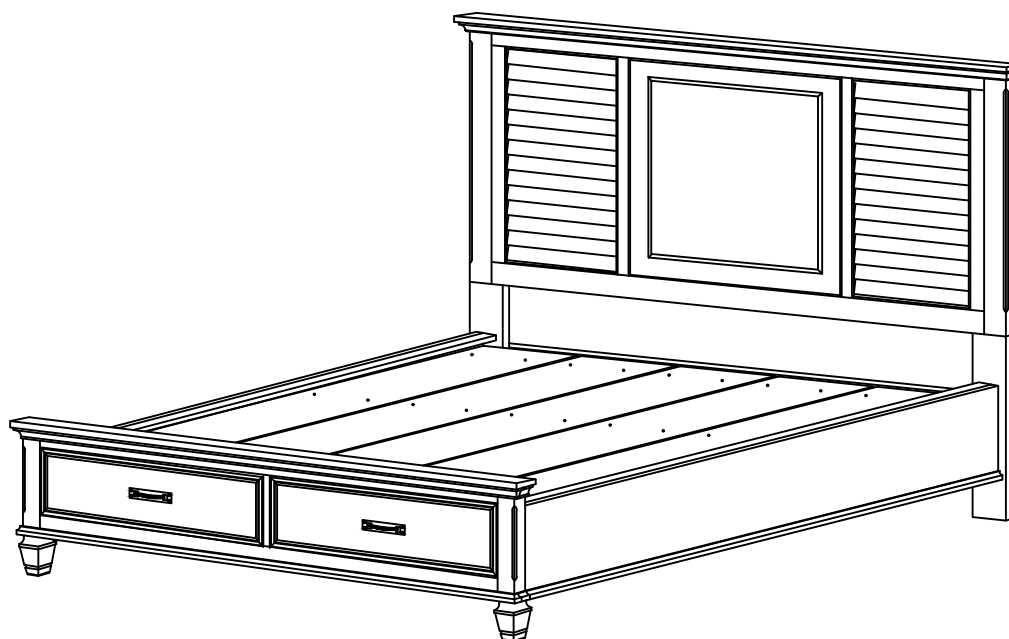
ITEM: **205330KW (B1-B3)**



ASSEMBLY INSTRUCTIONS

STEP 13

COMPLETE

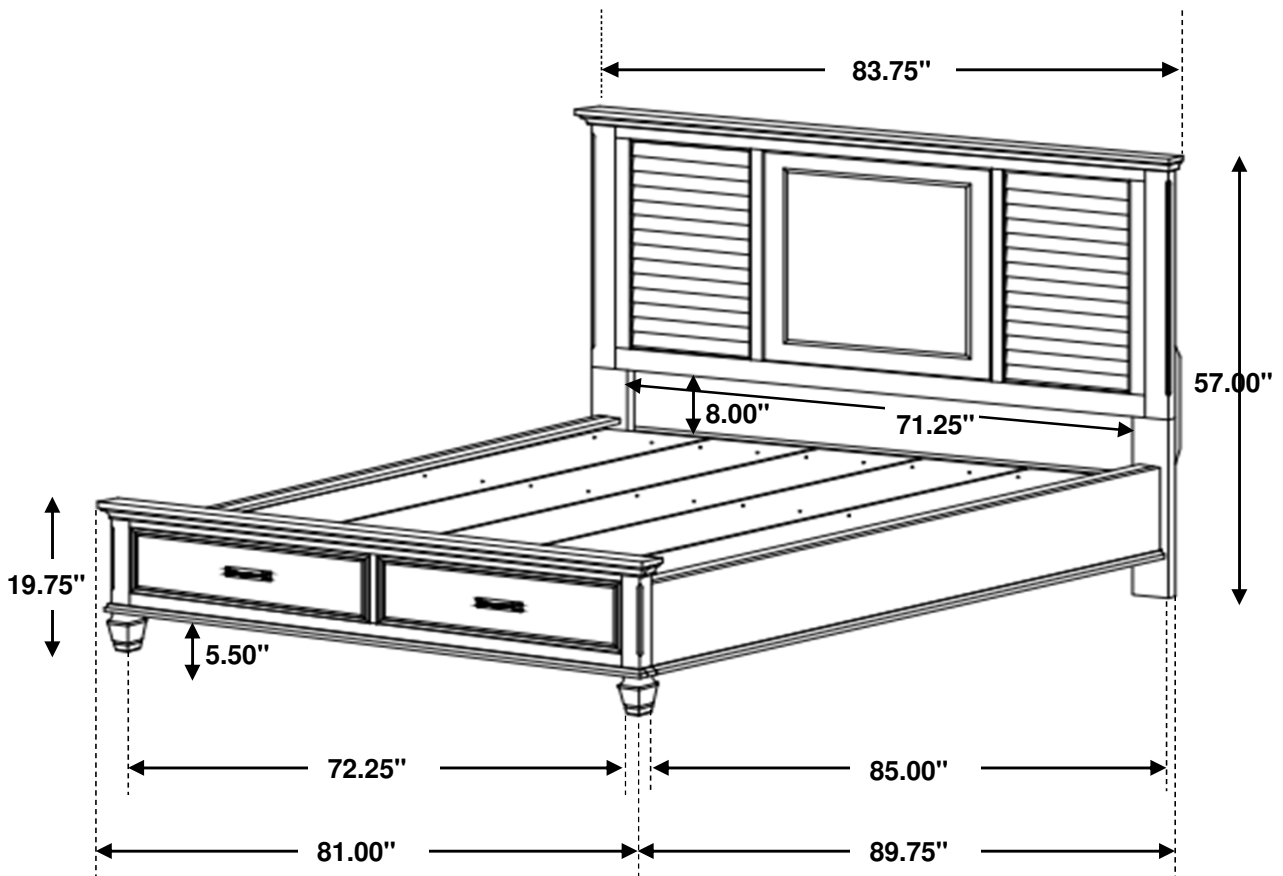


ITEM: **205330KW (B1-B3)**



Inner Size : 73.25"W X 85.00"D

Inner Size of Drawer : 5.75"W X 18.75"D X 32.00"H X 0.50"T



Note : Dimension tolerance $\pm 5\%$