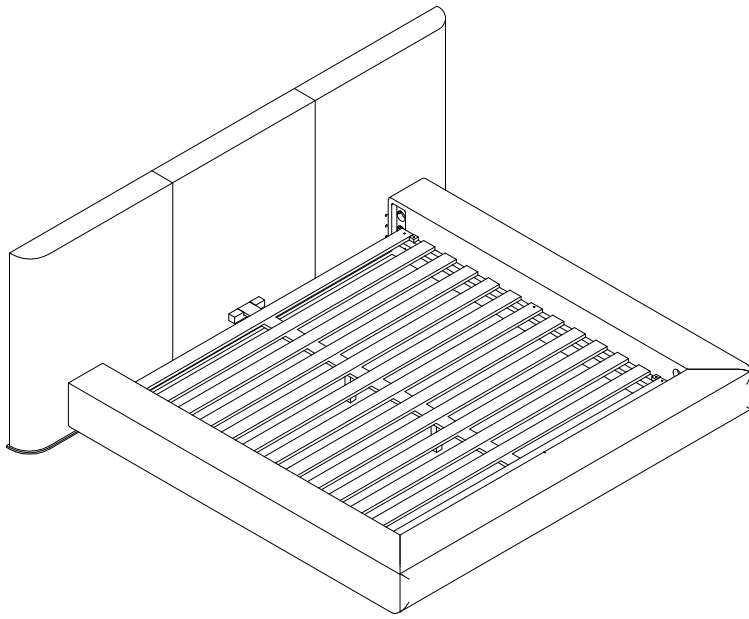
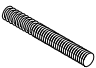

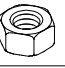

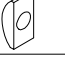




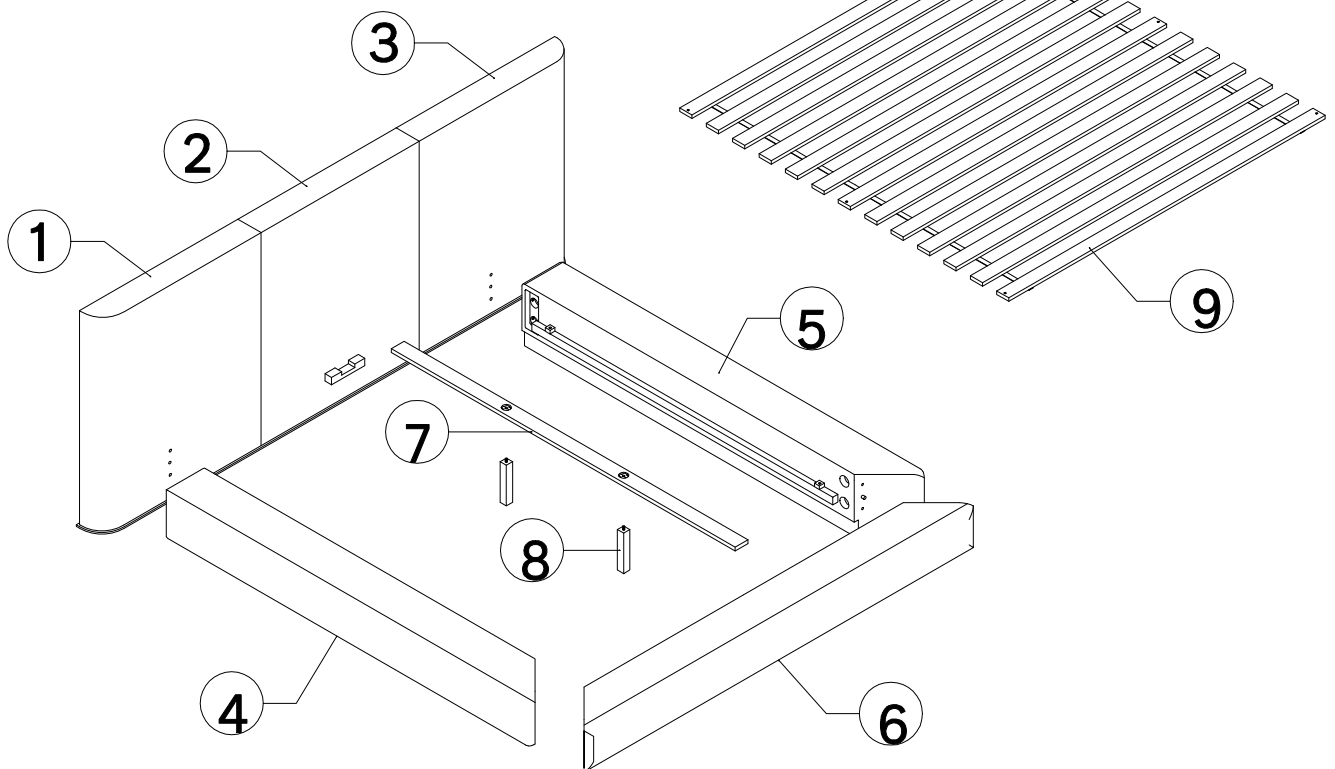


ASSEMBLY INSTRUCTION

MODEL: WOODEN LARA KING BED

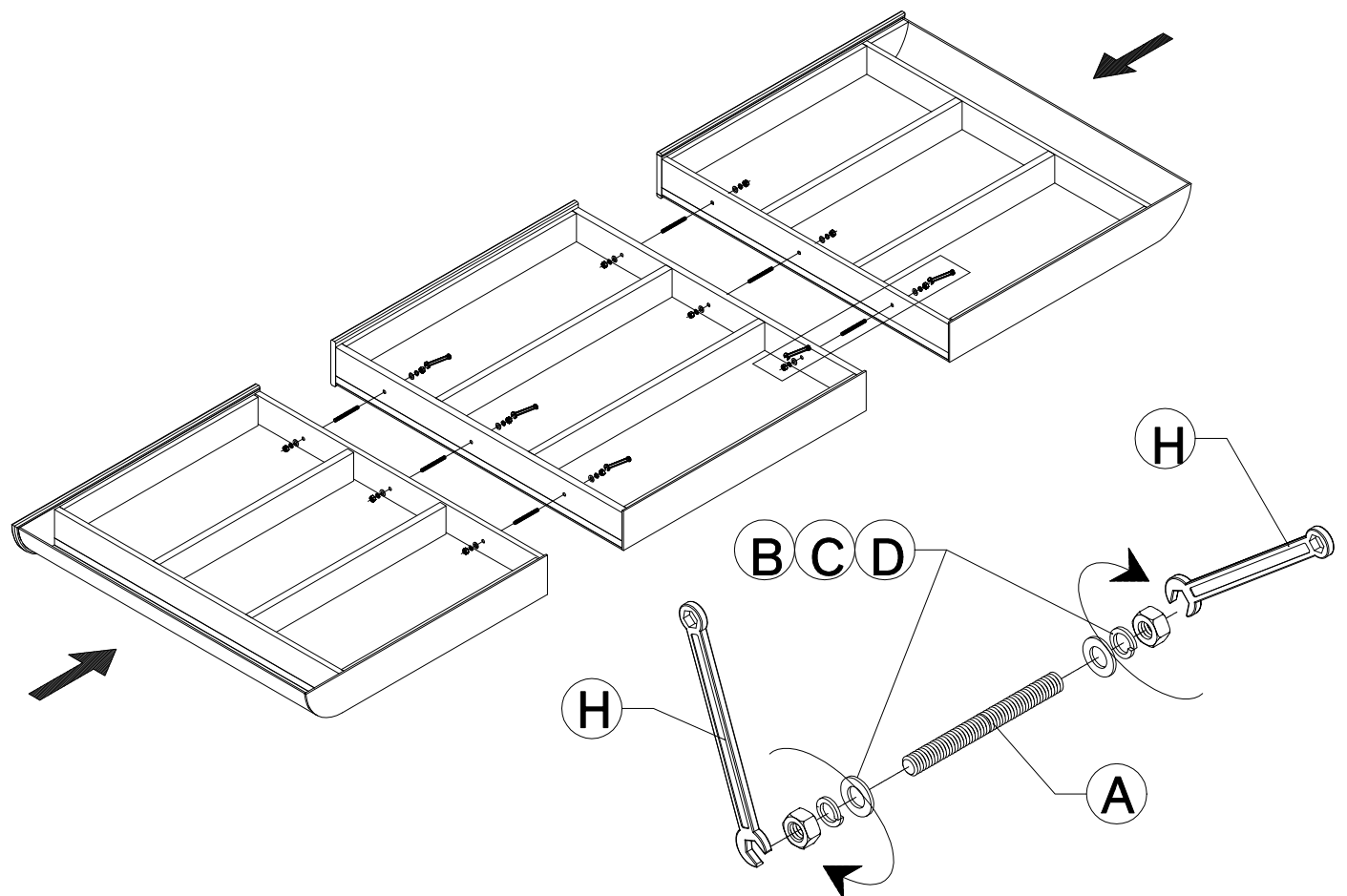
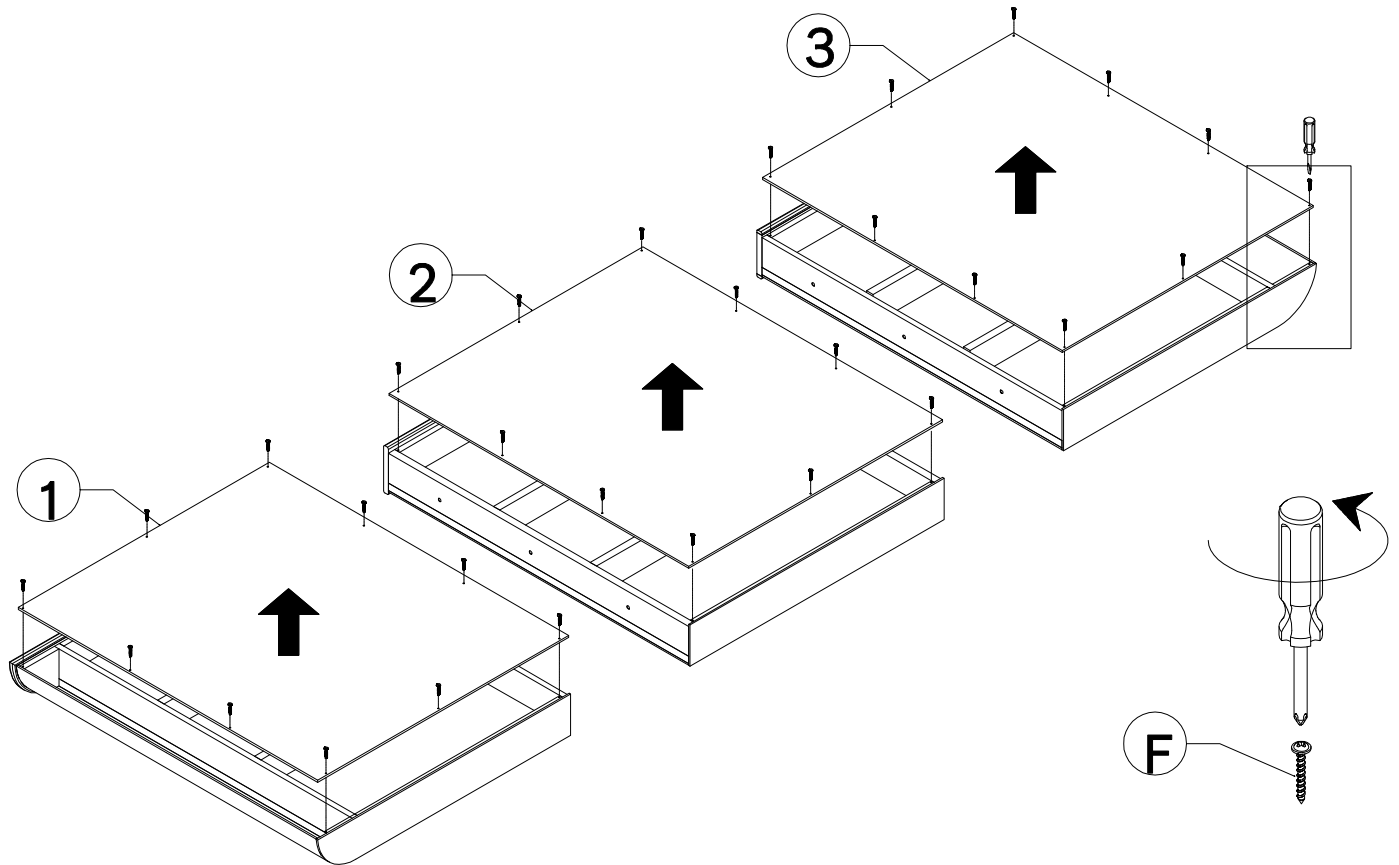


HARDWARE LIST				
A		Steel threaded bar	Ø10 x 85mm	6
B		Lock washer	Ø15 x Ø10 x 3mm	20
C		Hex nut	M17 x Ø10	20
D		Flat washer	Ø19 x Ø10 x 2mm	20
E		Half moon washer	20 x 12 x 42mm	8
F		Wood screw	M4 x 19mm	30
G		Pan head screw	M4 x 30mm	6
H		Open wrench	M17	2
I		Steel threaded bar	Ø10 x 110mm	8



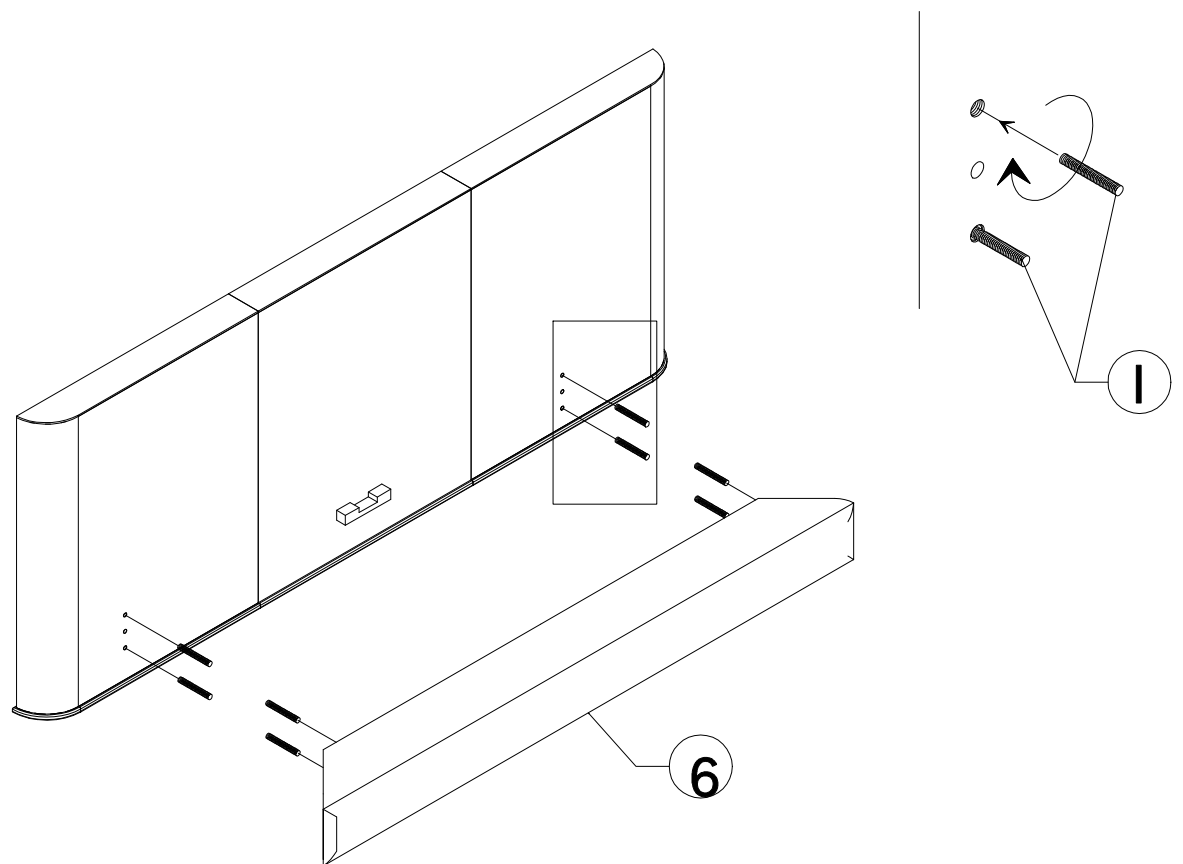
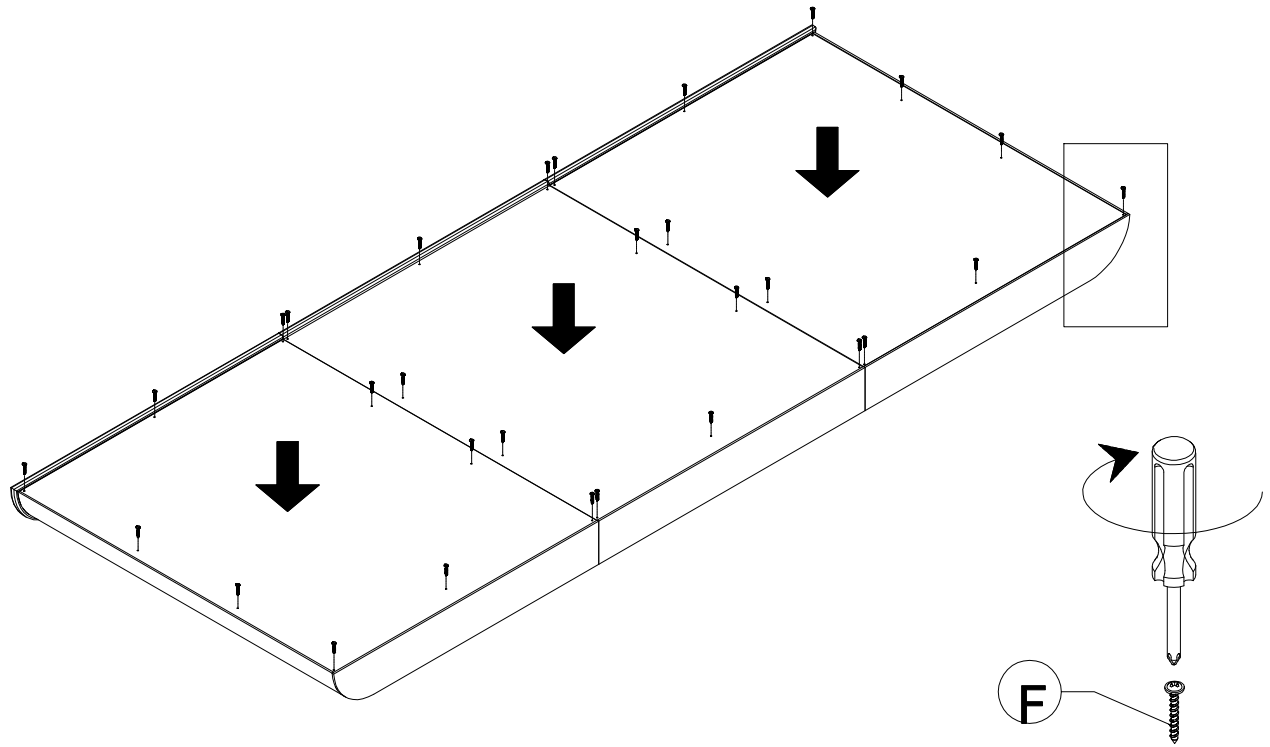
ASSEMBLY INSTRUCTION

MODEL: WOODEN LARA KING BED



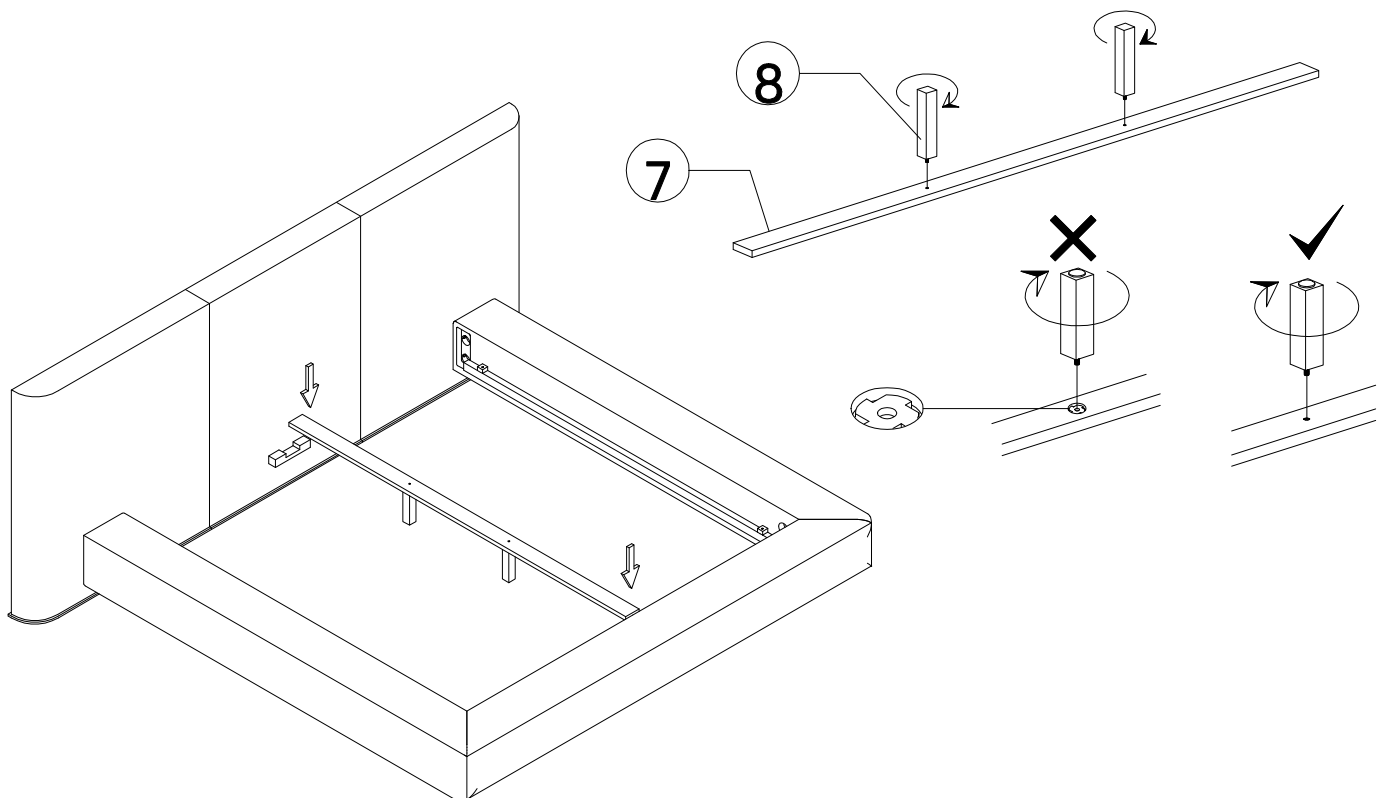
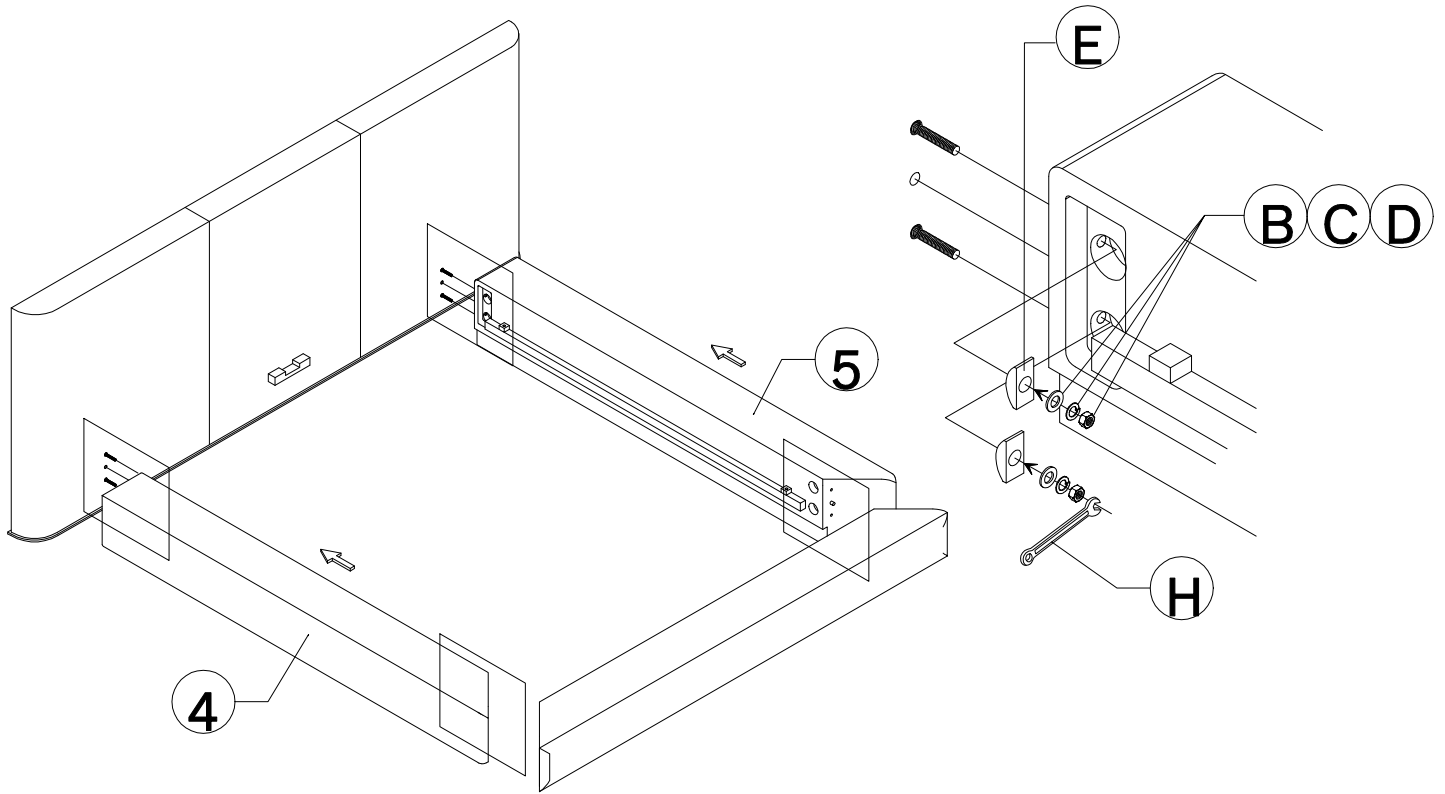
ASSEMBLY INSTRUCTION

MODEL: WOODEN LARA KING BED



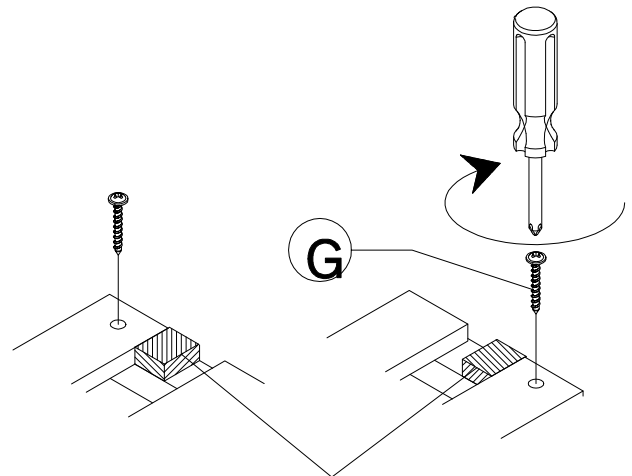
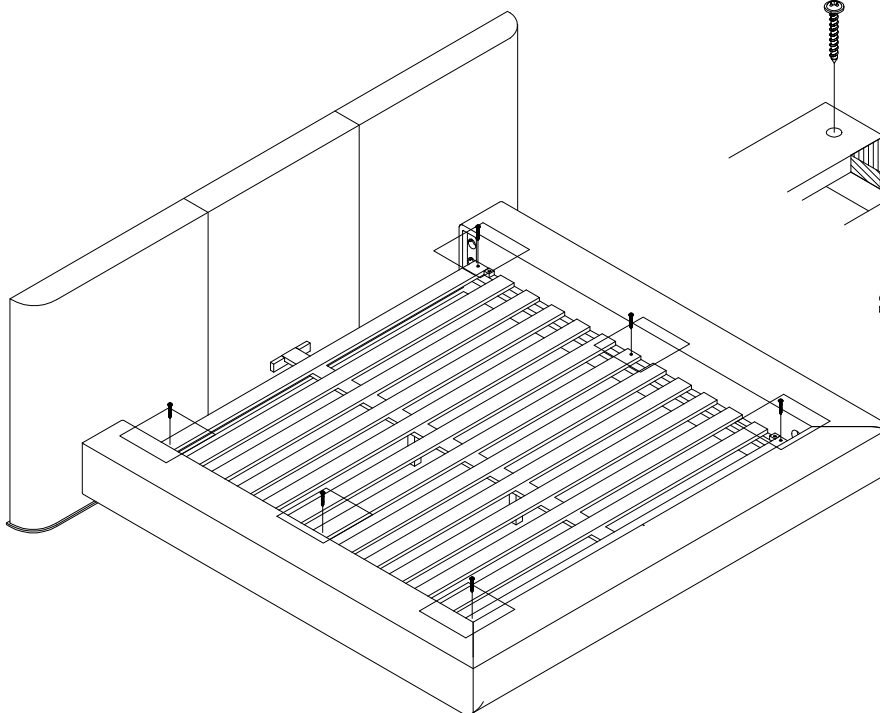
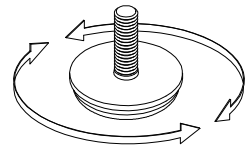
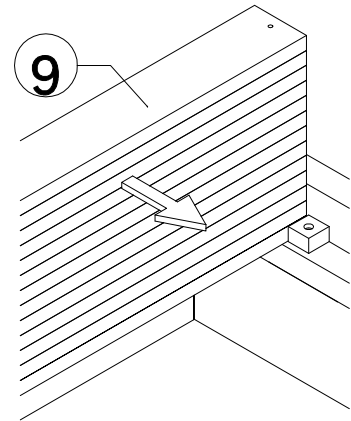
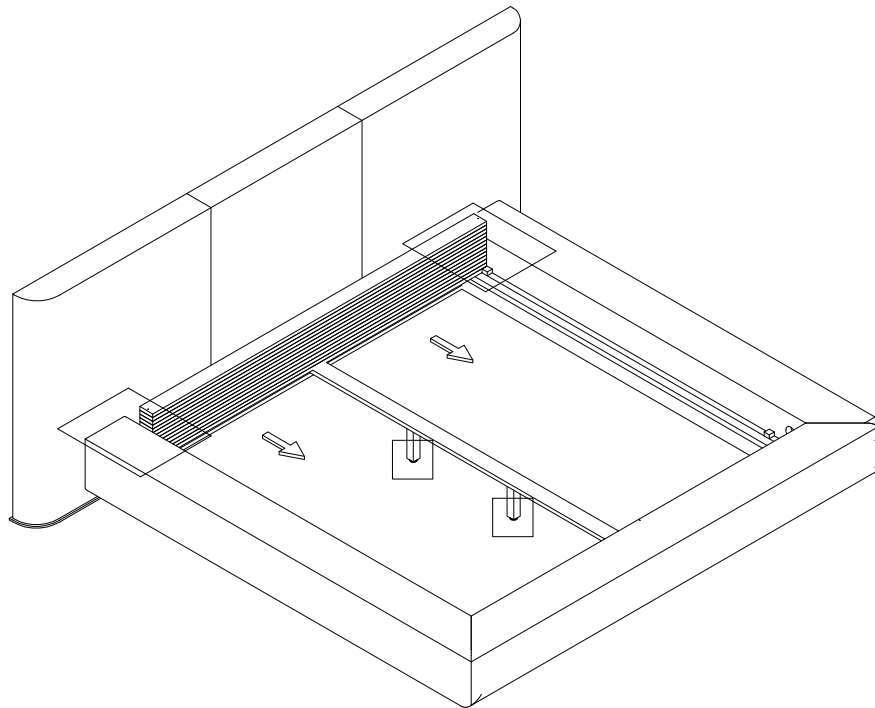
ASSEMBLY INSTRUCTION

MODEL: WOODEN LARA KING BED



ASSEMBLY INSTRUCTION

MODEL: WOODEN LARA KING BED



Support Piece On The Side Rail