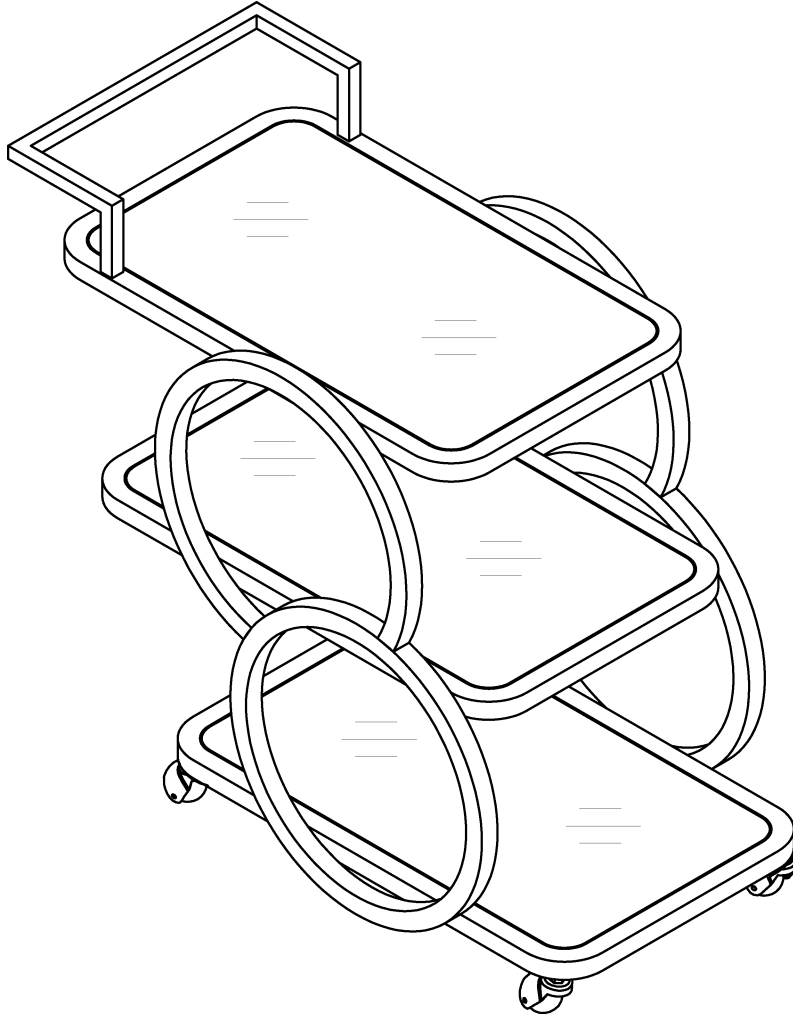


USER MANUAL

Bar Cart

Designed for your house, a New Living Style.



Attention: This instruction contains important safety information, please carefully read it and keep it for future reference...

No Need to Return !!!

If any problems occur, please reach out to us for further assistance, clear pictures associated with your problems will contribute to a faster solution.

Welcome to visit our store and purchase our quality products!

The series cover a vast selection of furniture item spanning Computer Desks , Side Tables, Garment Racks, Cabinets, Chairs, Bar Stools, Sofas, Ottomans, Bookshelves and Living Room Sets, etc, all of which are geared towards addressing various tastes and budgets.

It is our sincere hope that our furniture items could be acting as helpful companions in your life and work. We attach great importance to customer experience and promise to serve each consumer wholeheartedly by bringing them as much value as possible; whenever you are running into any problems while assembling or using our furniture items, please touch base with us, our Customer Service team is available to provide necessary assistance to address your needs and concerns.

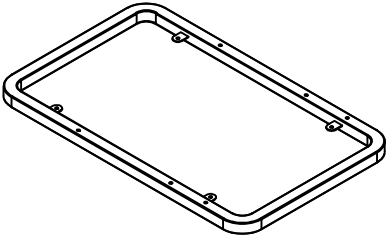
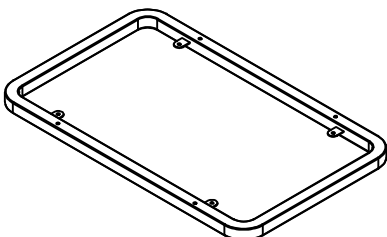
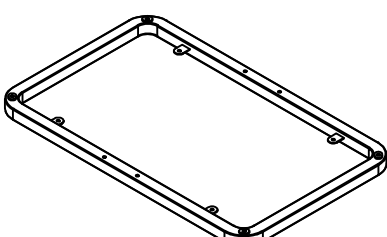
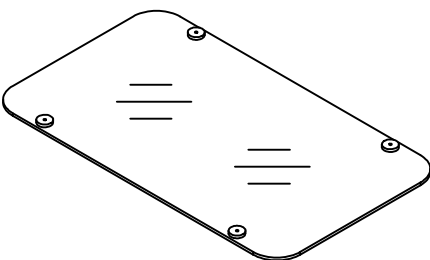
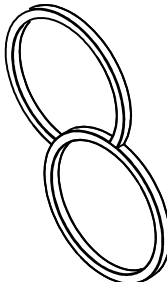
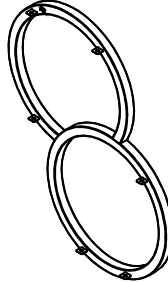
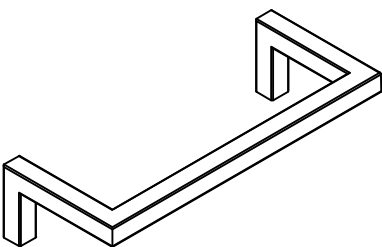





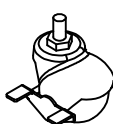
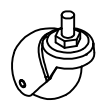
Thank you for your purchase, we are committed to providing you with high value and superior quality products characterized by sturdy build, user-friendly design and reasonable pricing.

Attention:

- Extra hardware parts and foot pads are provided for the purpose of possible repair or replacement in the future.
- In the process of assembly, be sure to keep all small parts in the package out of reach of babies and children, which pose a choking hazard if swallowed or inhaled; keep the packaging materials (film, plastic bags, foam, etc.) away from babies and children to avoid potential dangers of suffocation.
- Do not fully tighten any screw until all screws are aligned with their corresponding holes.
- Two persons are required for the assembly; for the purpose of a time- saving and hassle-free assembly, please act in compliance with the step-by-step instructions.
- Children are not allowed to play on, stand on or jump from the bar cart which is intended for the storage and organization purposes only.
- The seller bears no responsibility and/or liability for any personal injury and/or property damage arising from improper use or incorrect assembly of the bar cart.
- During the assembly, please be wary of sharp corners of the wooden panel or the metal frame, it is commended to wear a pair of gloves when you come into contact with these parts.
- Any unauthorized modification to this item will void its warranty.

Parts List

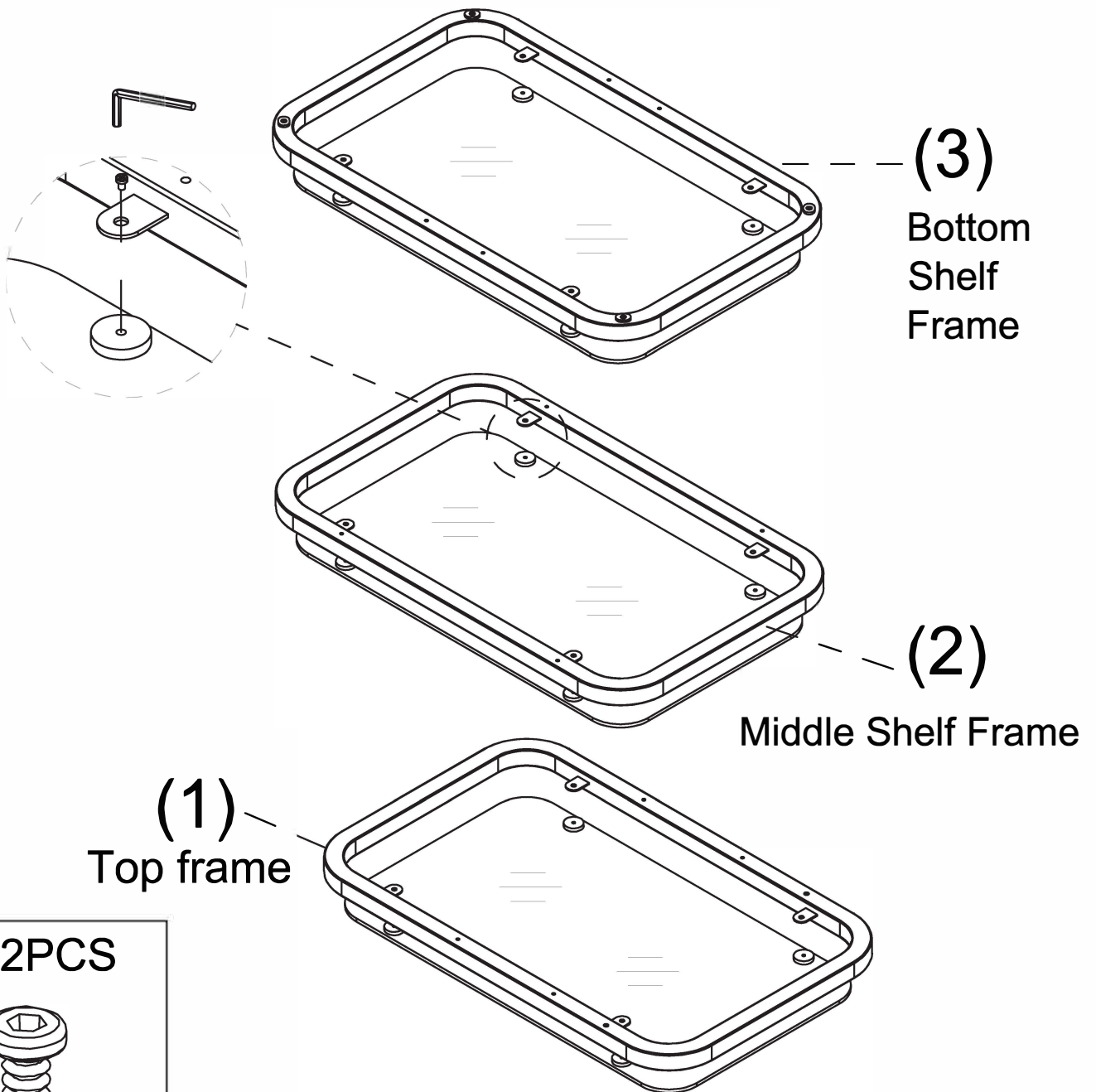
Prior to assembly, check to see if all parts and hardware are included as follows, should any part be found missing or defective, please reach out to our customer service for further assistance.

<p>(1)x1pc</p>  <p>Top frame</p>		<p>(2)x1pc</p>  <p>Middle Shelf Frame</p>		<p>(3)x1pc</p>  <p>Bottom Shelf Frame</p>		
<p>(4)x3pcs</p>  <p>Tempered Glass</p>		<p>(5)x1pcs</p>  <p>Left Side Frame</p>		<p>(6)x1pc</p>  <p>Right Side Frame</p>		
<p>(7)x1pc</p>  <p>Handle</p>						
<p>AX1PC</p>  <p>Allen Wrench</p>	<p>BX1PC</p>  <p>Wrench</p>	<p>CX2PCS</p>  <p>Screw M6X40</p>	<p>DX12PCS</p>  <p>Screw M6X15</p>	<p>EX12PCS</p>  <p>Screw M6X5</p>	<p>FX2PCS</p>  <p>Wheel with Lock</p>	<p>GX2PCS</p>  <p>Wheel</p>

Assembly Steps

Step 1

- Align Tempered Glass (4) to the Top Frame (1), Middle Shelf Frame (2), Bottom Shelf Frame (3) with Screws E by using the Allen Wrench A.



EX12PCS

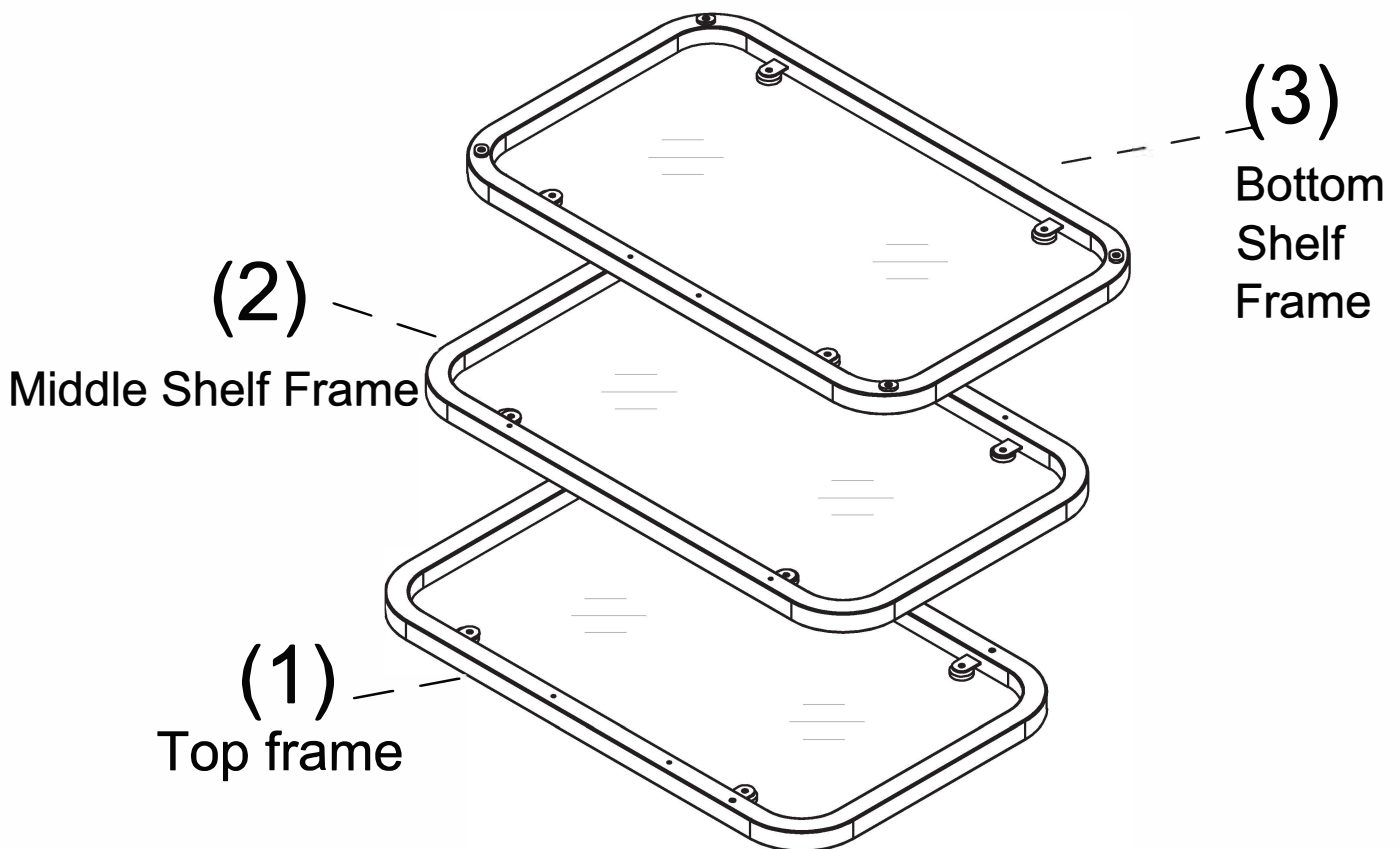


Screw
M6X5

Assembly Steps

Step 2

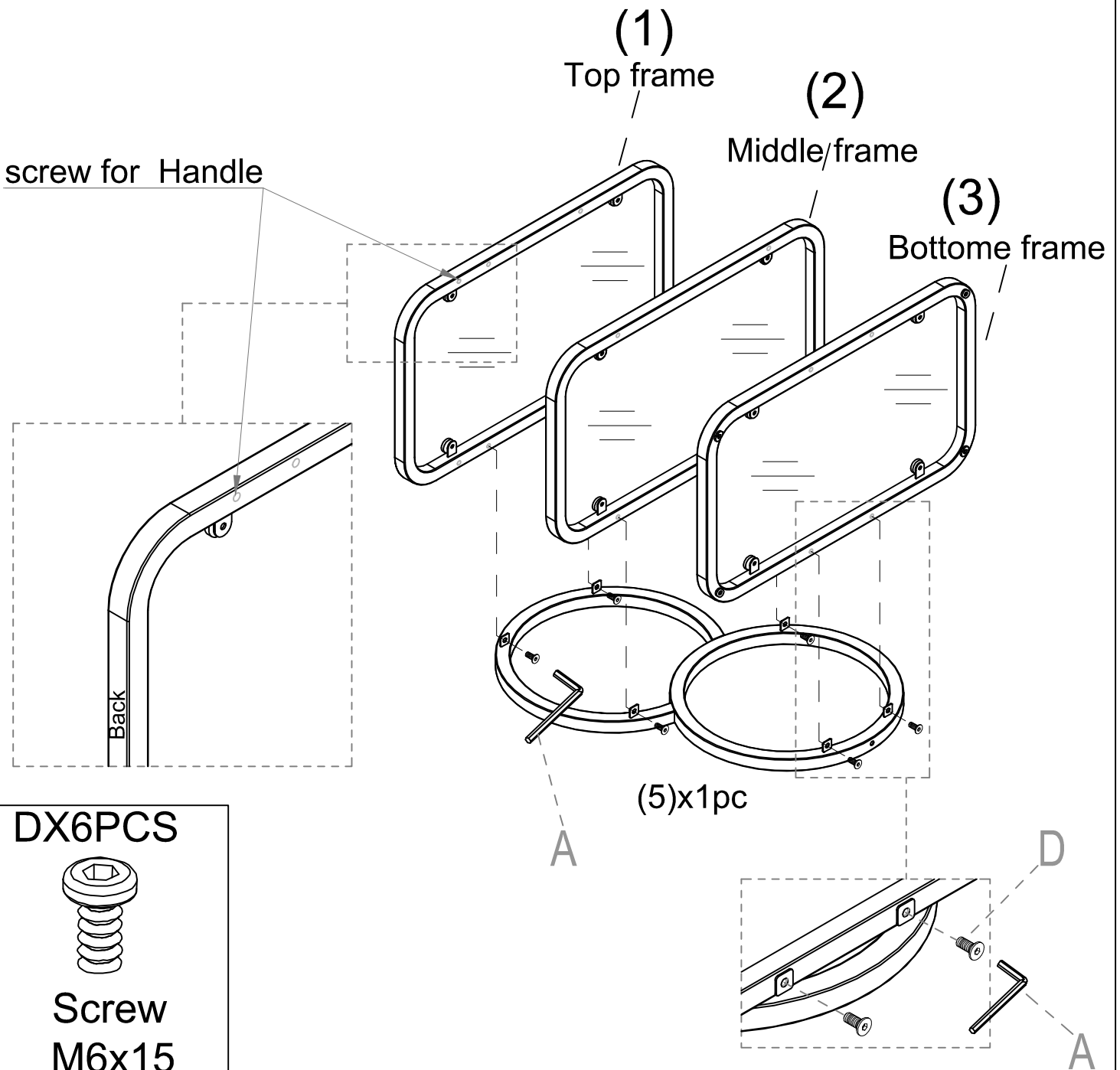
- Before you begin, please distinguish Top, Middle Shelf and Bottom Shelf. Additional labels (1) (2) (3) already marked on the Each Shelf.



Assembly Steps

Step 3

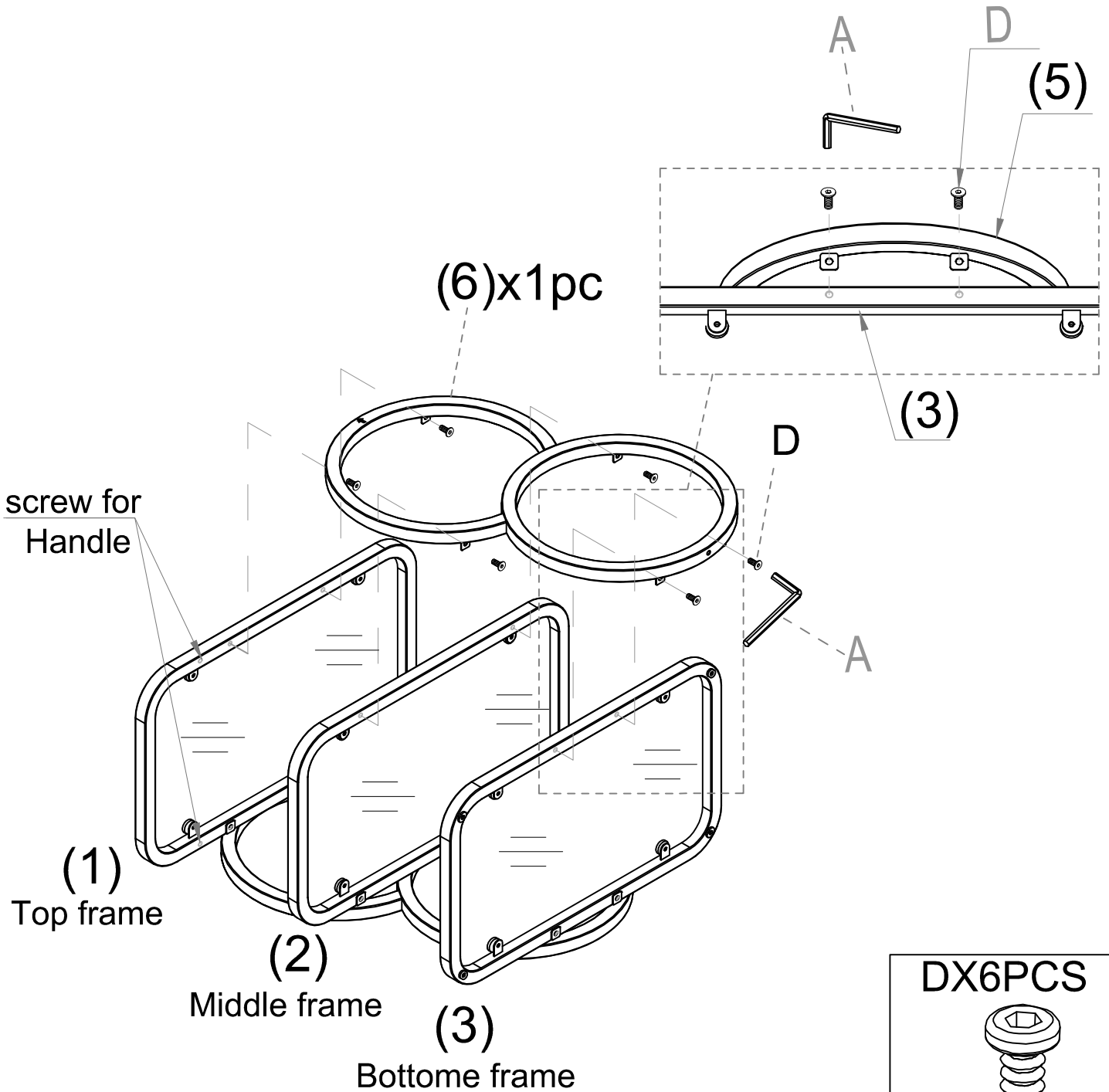
- Align Top Frame (1), Middle Shelf Frame (2), Bottom Shelf Frame (3) to Left Side Frame (5), Secure with Screws D by using the Allen Wrench A. Please Align the Top Frame first, then Middle Shelf Frame and Bottom Shelf Frame.



Assembly Steps

Step 4

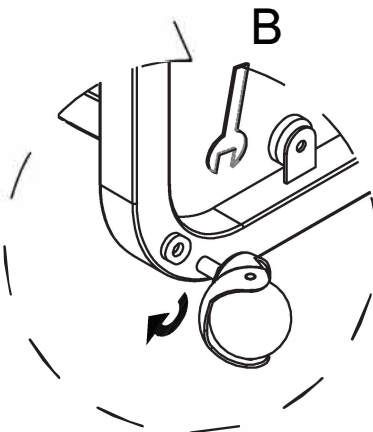
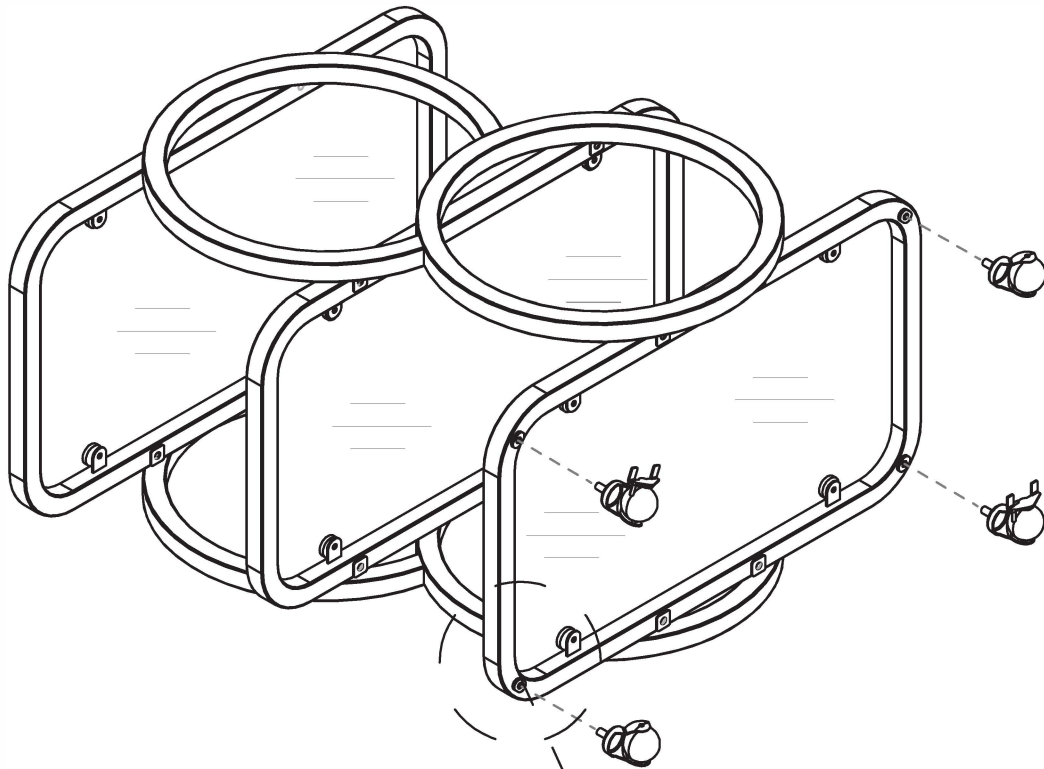
- Attaching Right Side Frame (6) to Top Frame (1), Middle Frame (2) and Bottom Frame (3) . Secured with Screws D by using Allen Wrench A.



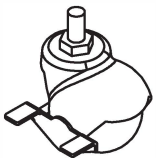
Assembly Steps

Step 5

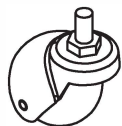
- Attached wheel G and wheel with lock F to the Bottom Shelf Frame (3), Secure with a Wrench B.



FX2PC



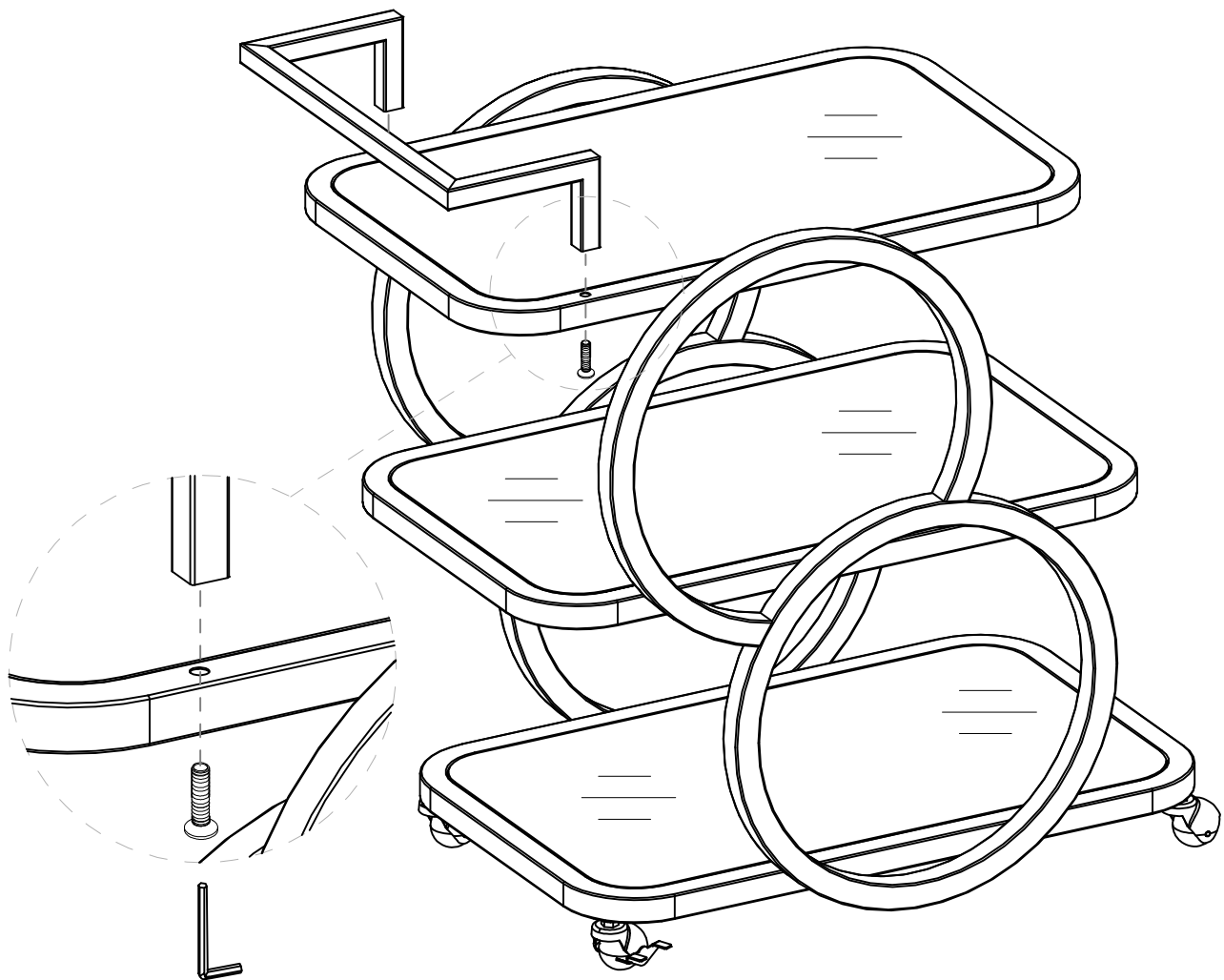
GX2PC



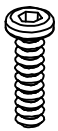
Assembly Steps

Step 6

- Attach the handle (7) to the Top Frame (1), then secure with Screws C by using the Allen Wrench A.



CX2PCS

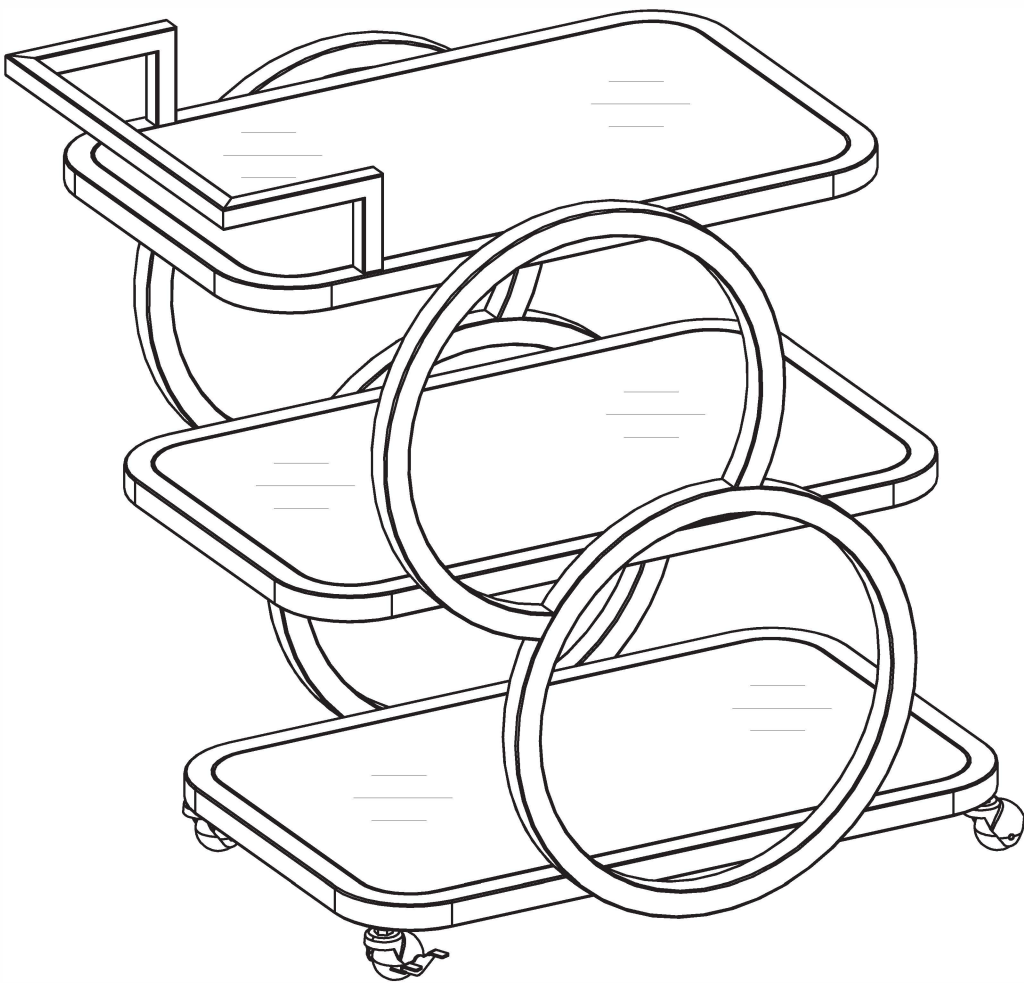


Screw
M6x40

Assembly Steps

Step 7

Fully Assembly



Care and Maintenance

- It is recommended to wipe off the dust gathering on the bar cart with a soft and clean piece of dry cloth.
- Do not use solvents of any kind, as they may damage the finish of the item.
- It is essential to check if any screws/bolts are loosened periodically and then tighten them accordingly.
- It is important to keep this item in a climate-controlled environment, since extreme temperatures and humidity changes can cause fading, warping, shrinking and splitting of Acrylic rods.
- This item is designed to be used indoors only, please avoid using it outdoors, as direct exposure to sunlight or rainwater will curtail its durability.
- Keep the sofa table away from pointed objects or corrosive chemicals to protect its surface from being damaged.
- Never stand, sit or lie on the Bar cart, nor it can be used as a ladder.
- Following the tips above will help the item retain its performance even when it ages over time.