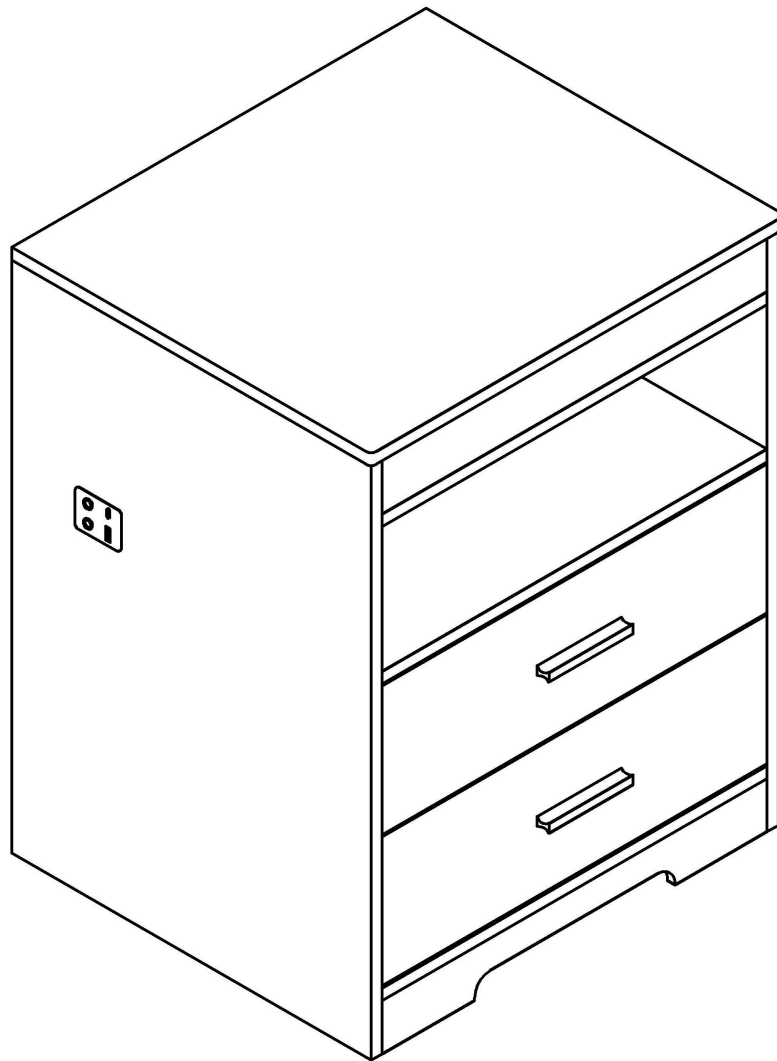
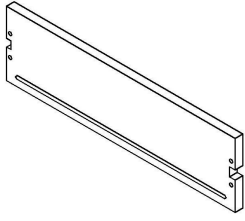
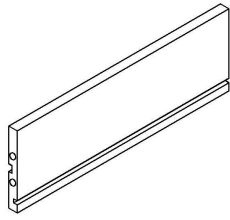


Product Installation Instructions

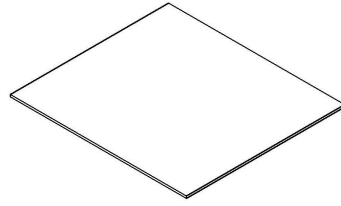




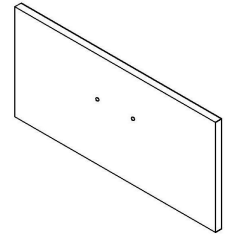
Ax2



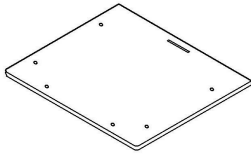
Bx4



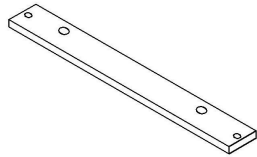
Cx2



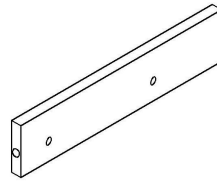
Dx2



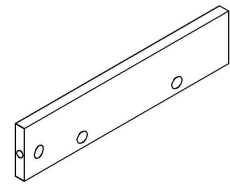
Ex1



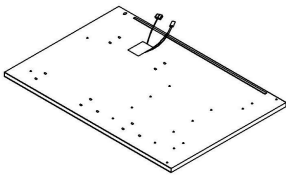
Fx1



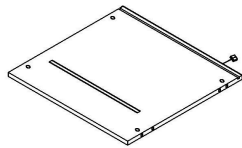
Gx1



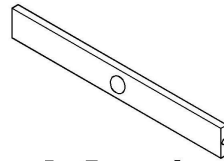
Hx1



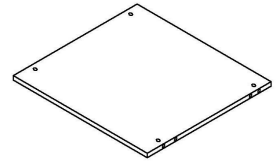
Ix1



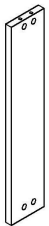
Jx1



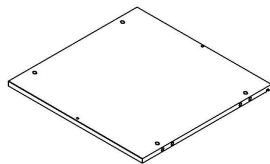
Kx1



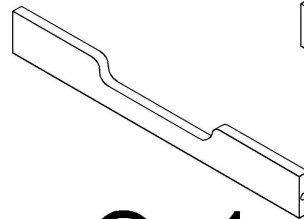
Lx1



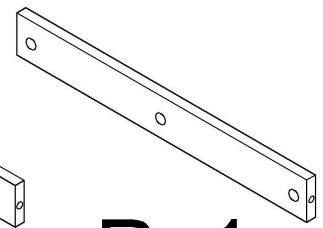
Mx1



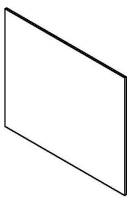
Nx1



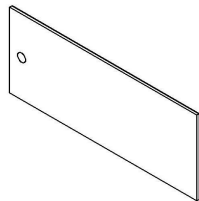
Ox1



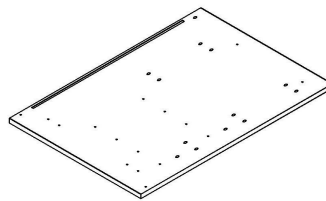
Px1



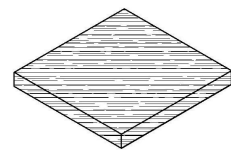
Qx1



Rx1



Sx1

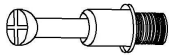


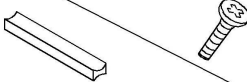
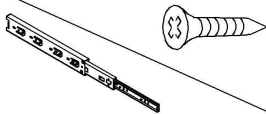
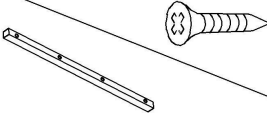
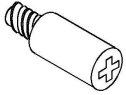

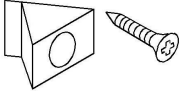
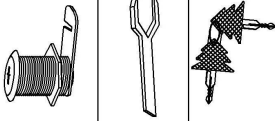
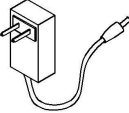
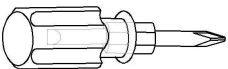



Tx1

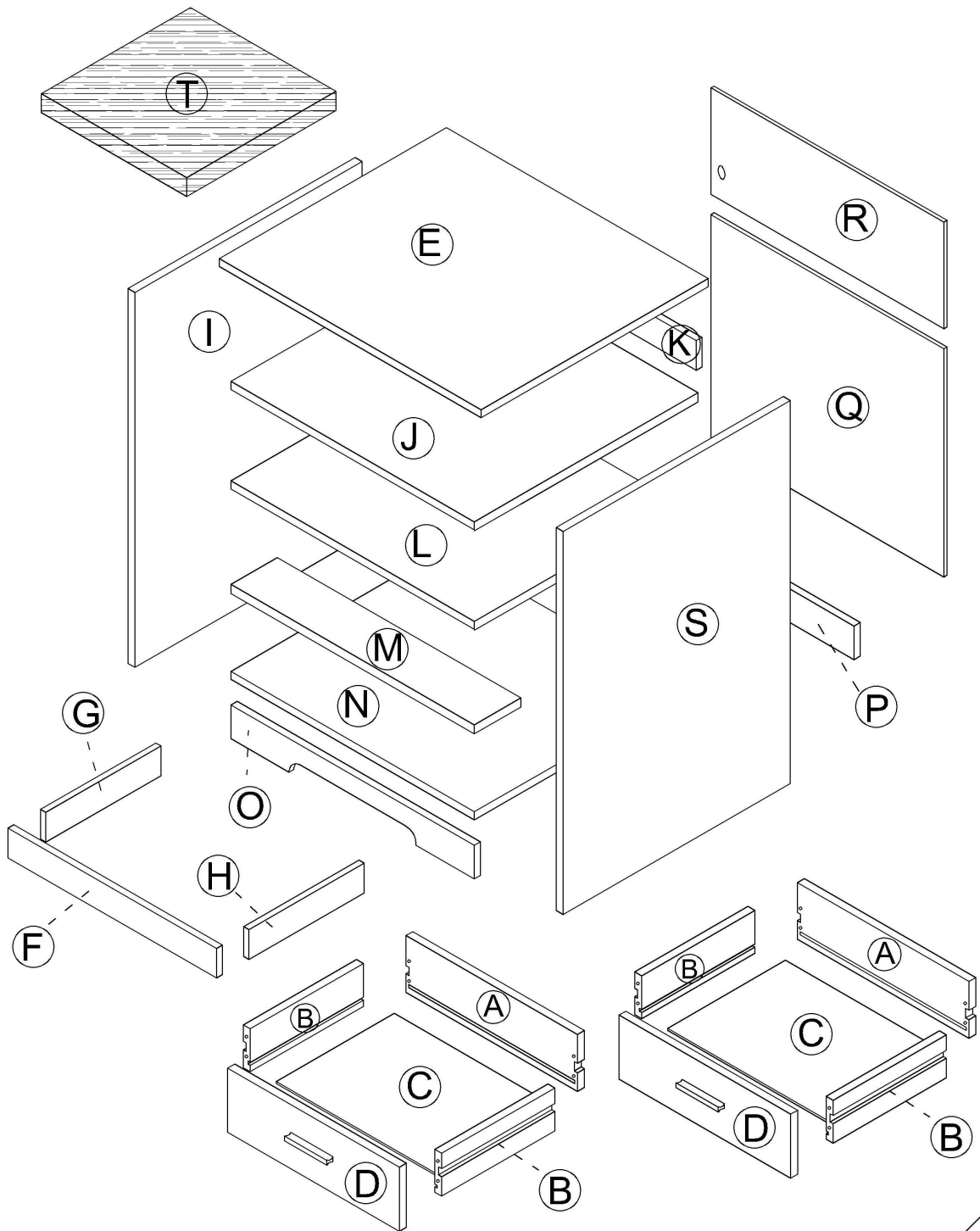


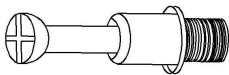
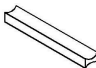




1

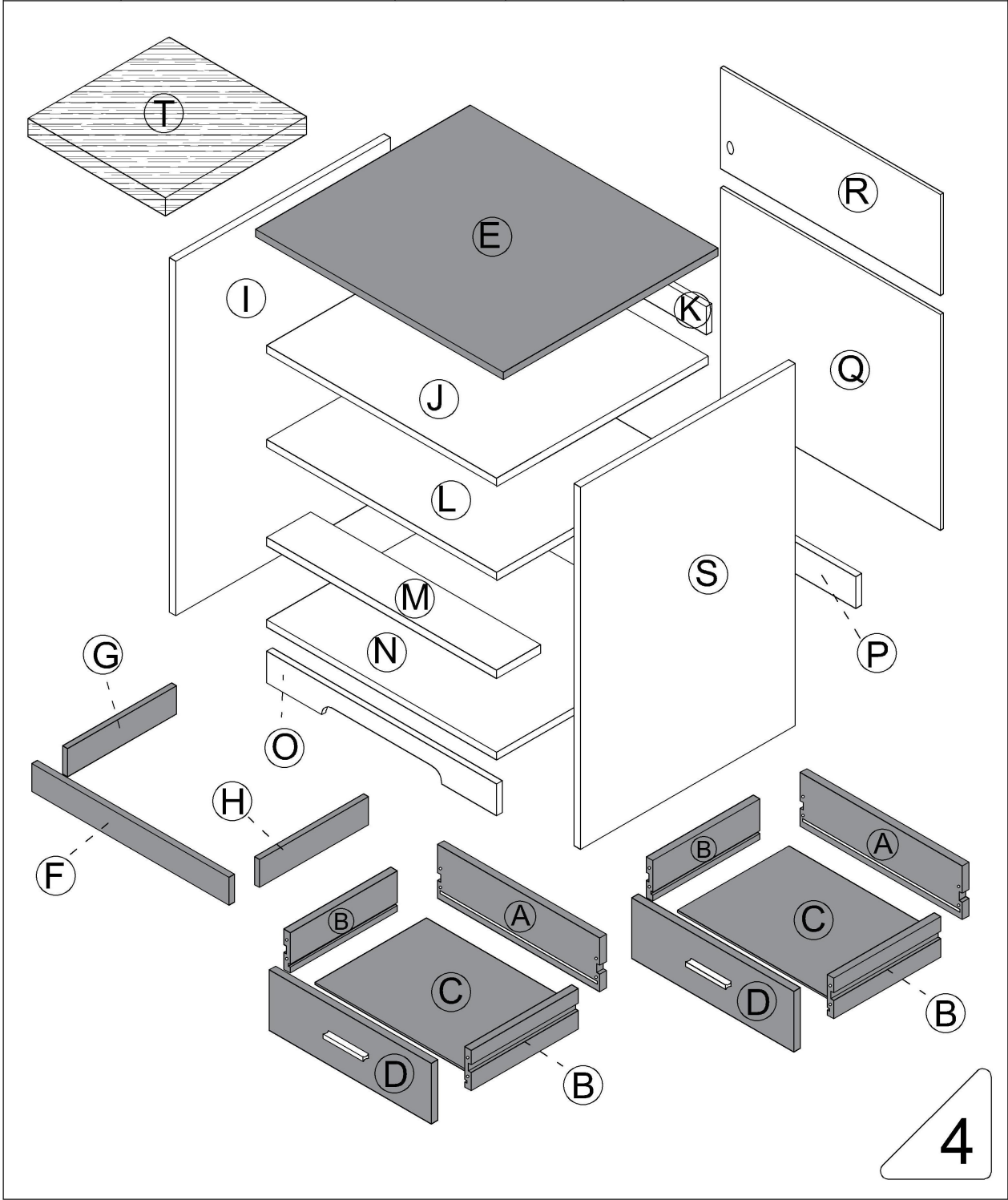
Accessories list

①		Two In One Screw (6x28mm)	50pcs +4pcs
②		Two In One Nut (10x12mm)	50pcs +4pcs
③		Wood Chipping (6x30mm)	12pcs +2pcs
④		Handle & Screw (4x16mm)	4pcs +1pcs 2pcs
⑤		Guide rails & screws (3x12mm)	10pcs +2pcs 2pcs
⑥		Rubber strip guide & Screw (4x16mm)	16pcs +2pcs 4pcs
⑦		Iron bar	4pcs +1pcs
⑧		Non-slip pads	4pcs +2pcs
⑨		Fixing Clip & Screw (3x16mm)	4pcs +1pcs
⑩		Locks & tools & key	1pcs
		AC/DC Adapter (12V= 2.0A)	1pcs
 1pcs		 Double-head screwdriver, use as required	 2

Product structure decomposition

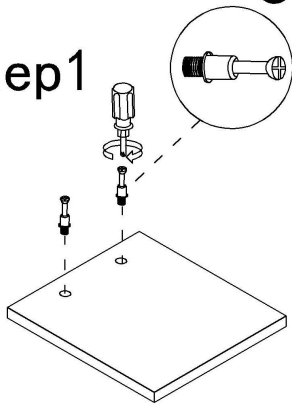


<p>1</p>		<p>24pcs</p>	<p>4</p>	 <p>2pcs</p>	 <p>4pcs</p>
<p>2</p>		<p>24pcs</p>	<p>5</p>	 <p>2pcs</p>	 <p>4pcs</p>

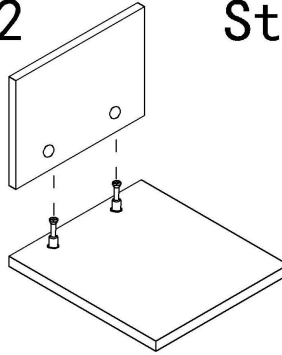


Use parts ① and ②

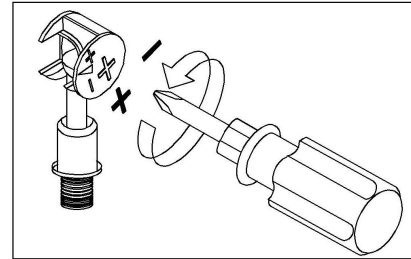
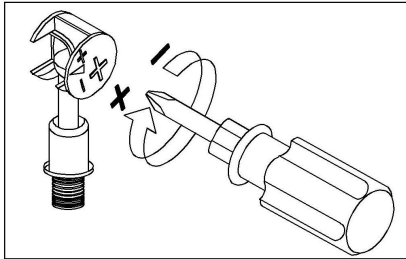
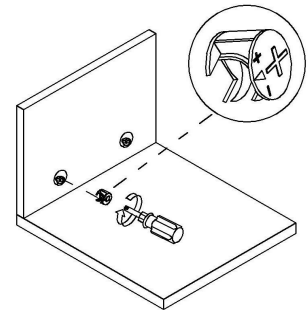
Step1



Step2



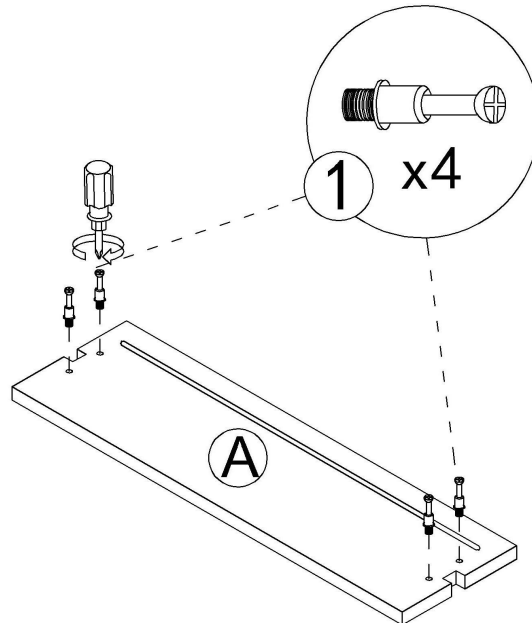
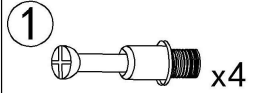
Step3



Use a screwdriver to lock in the direction of the "+" sign

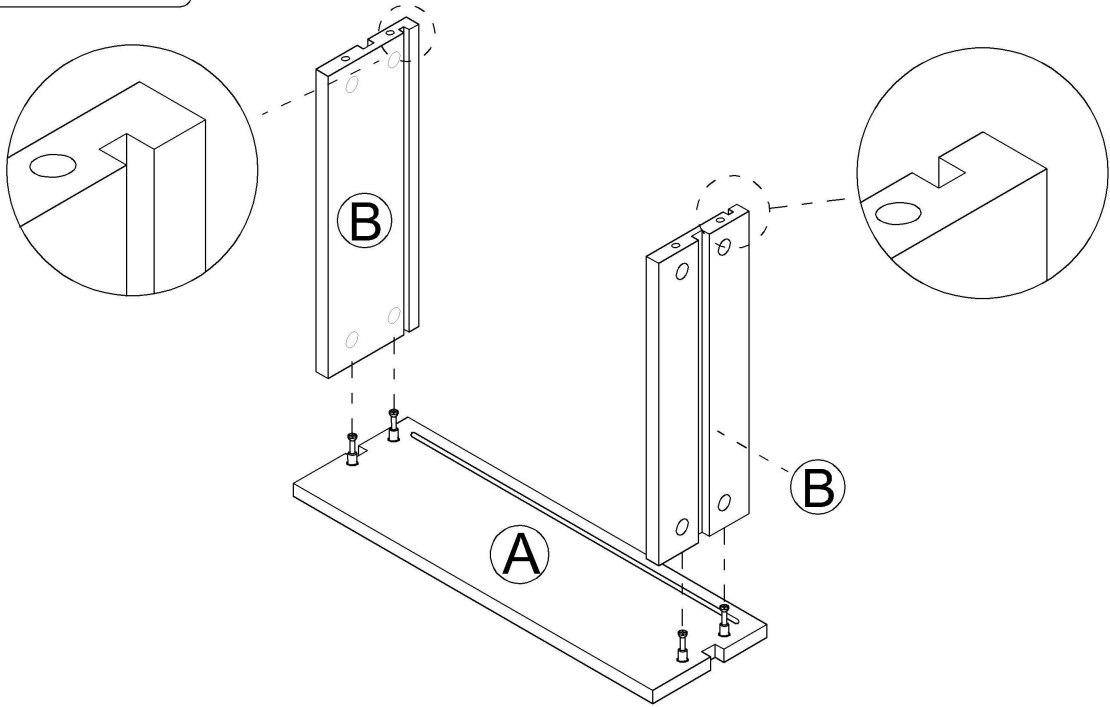
Disassemble along the direction of "-" sign

Step 1

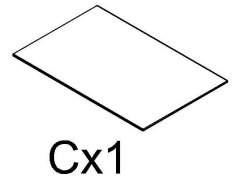
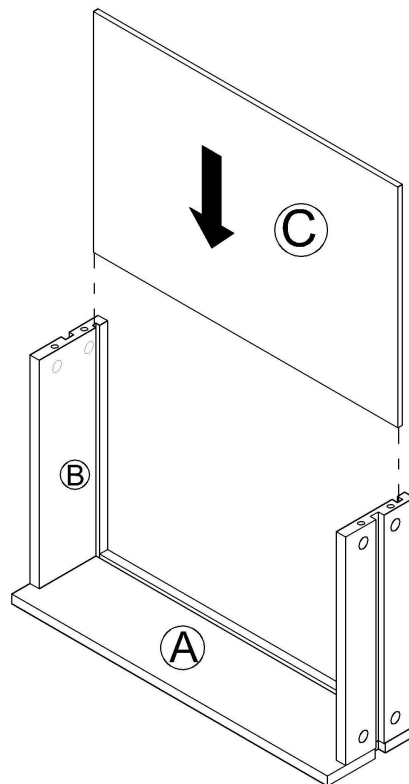


5

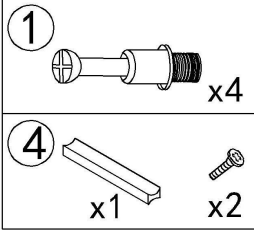
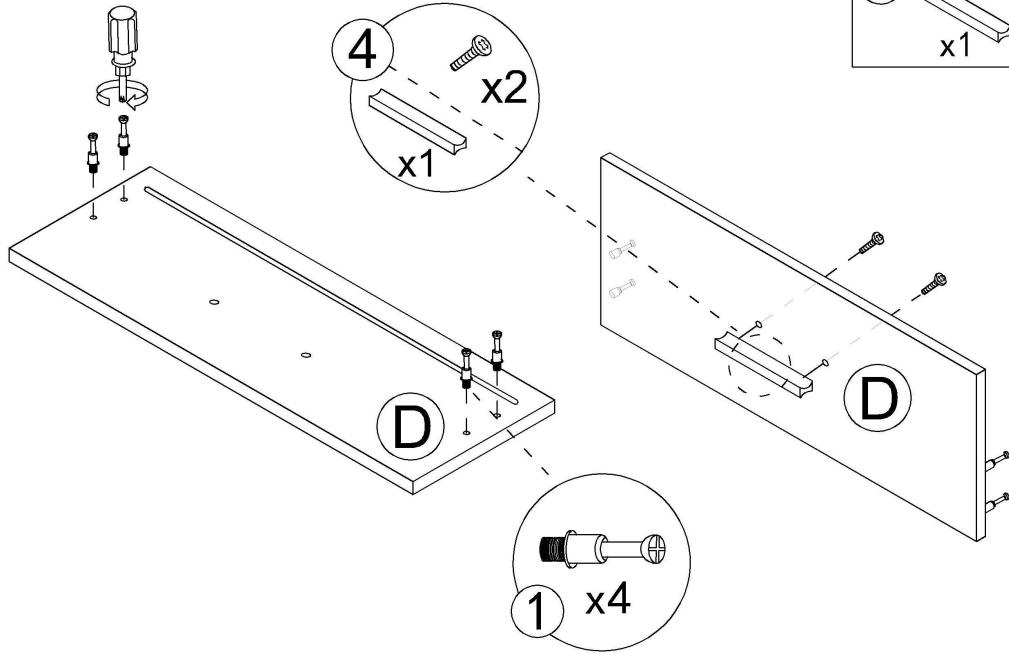
Step 2



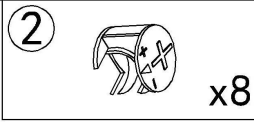
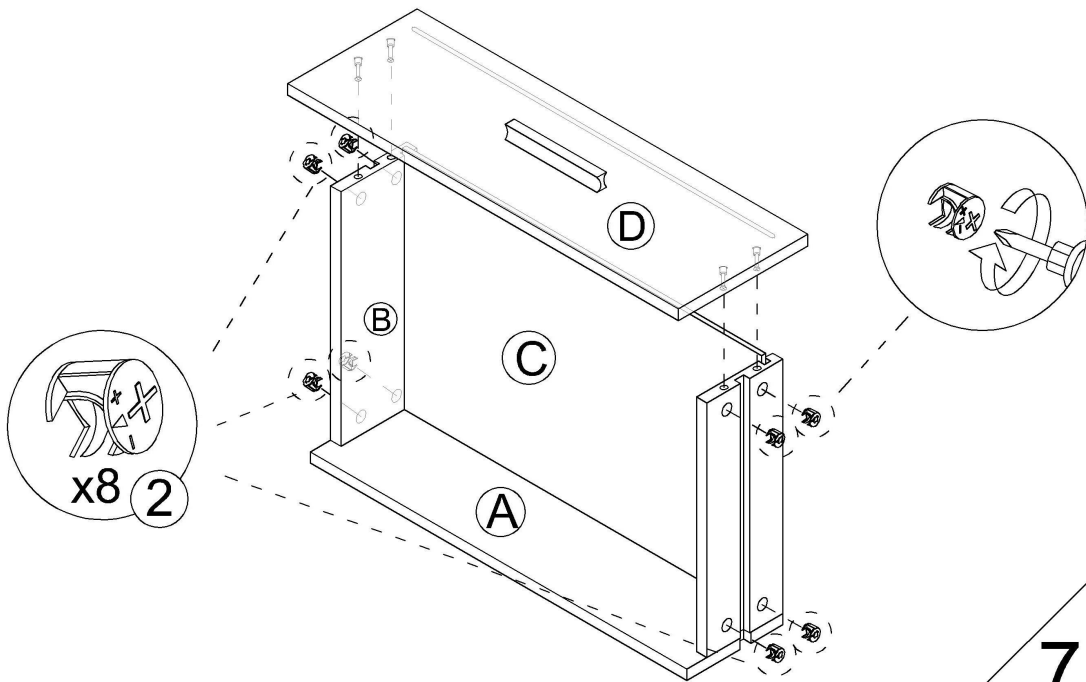
Step 3



Step 4

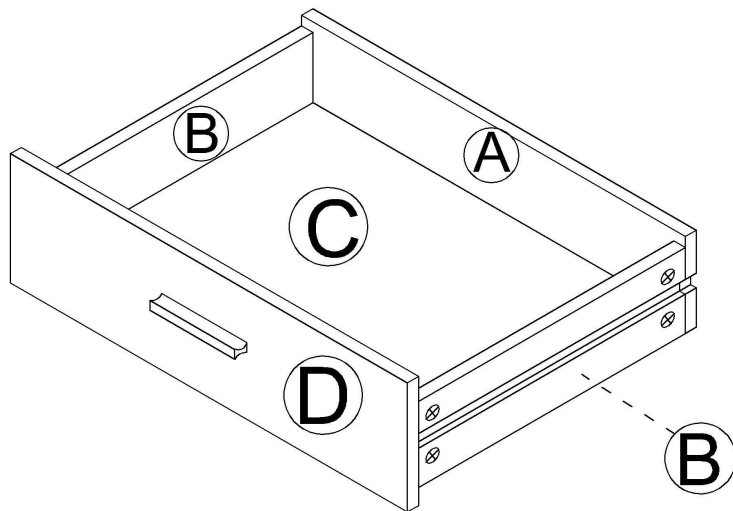
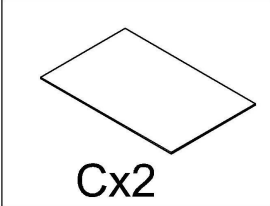
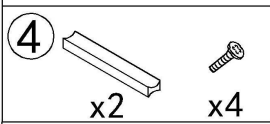
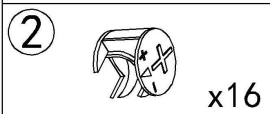
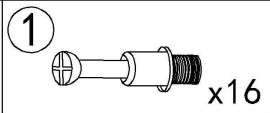


Step 5



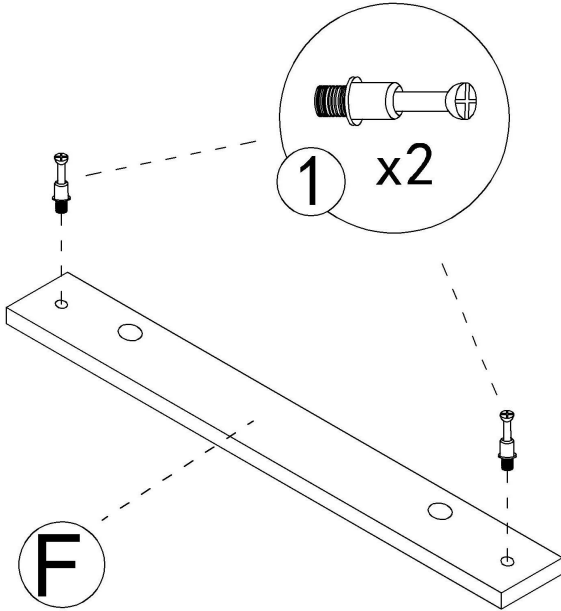
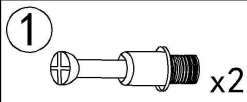
Step 6

x2

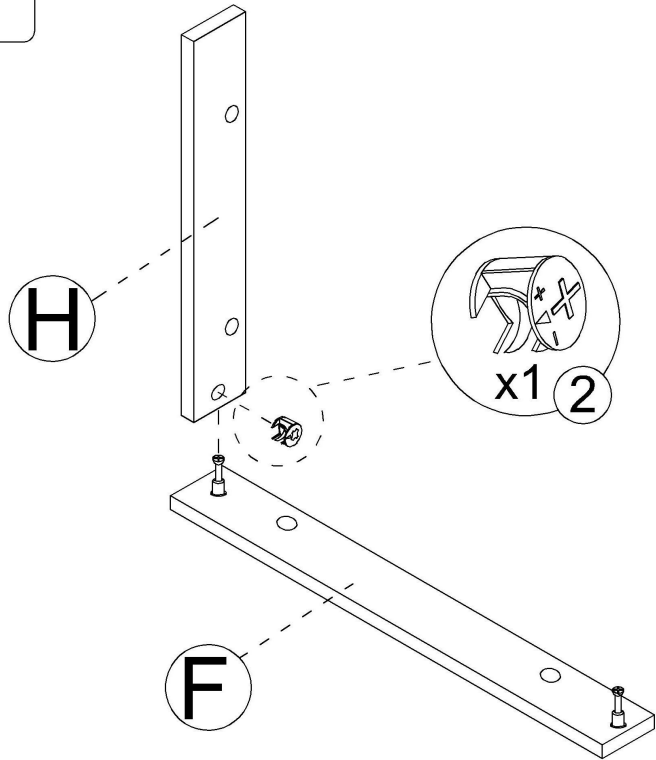


Use the same way to install another drawer

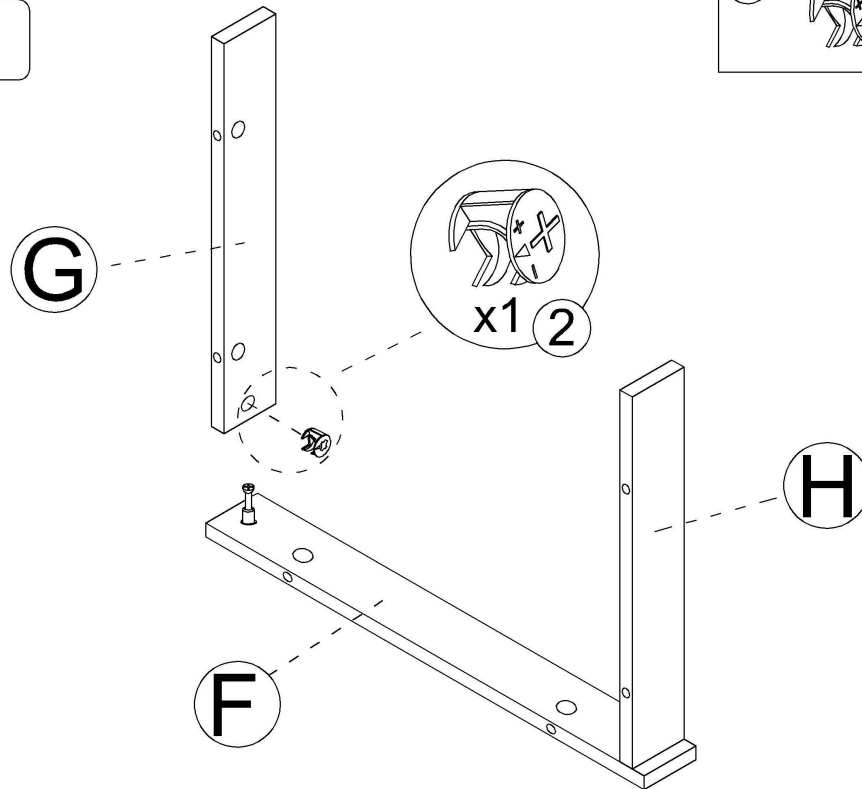
Step 7



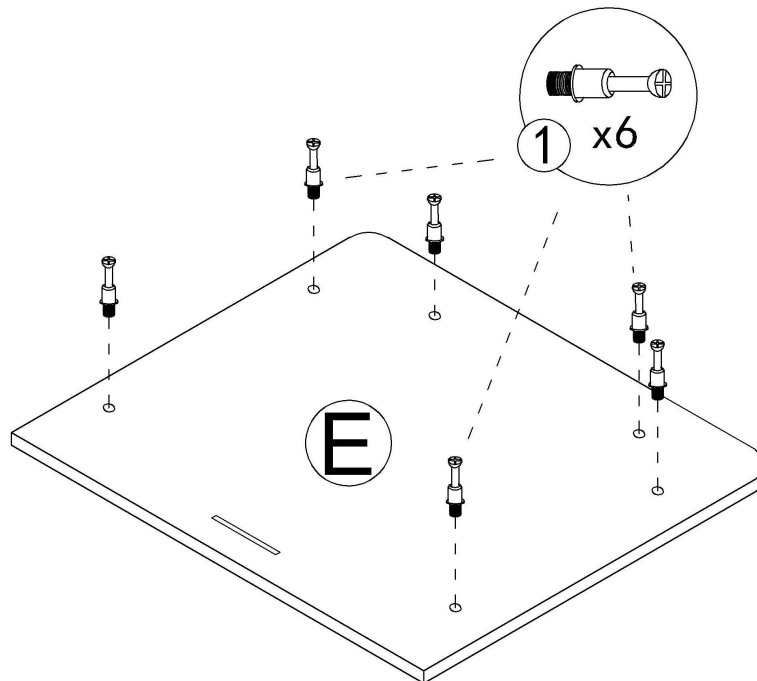
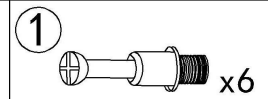
Step 8



Step 9



Step 10



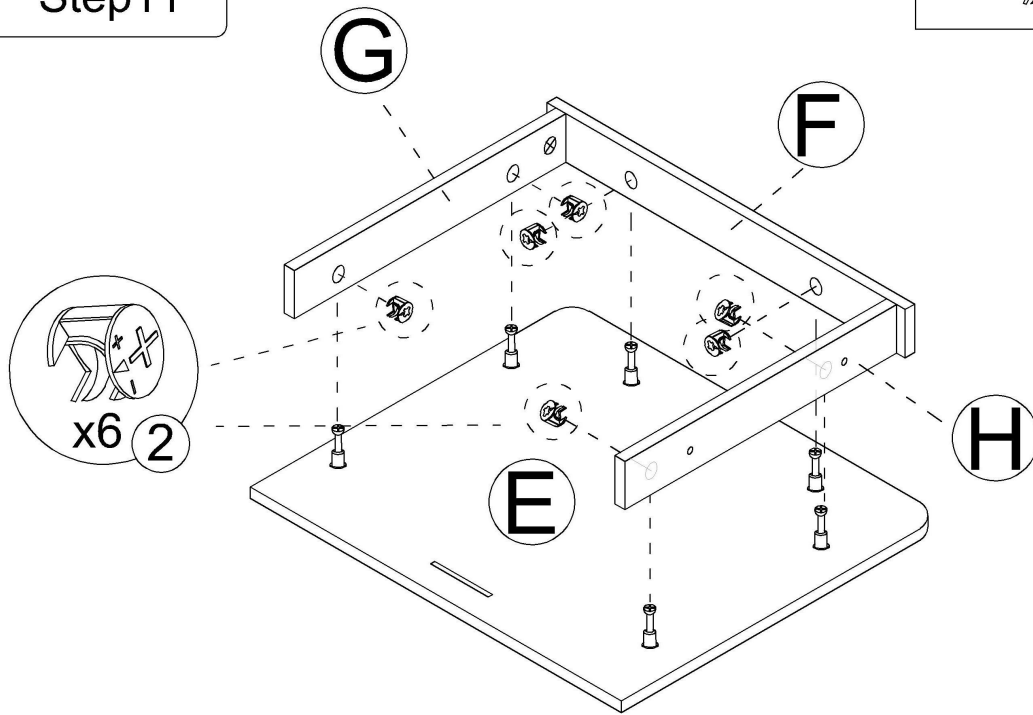
10

Step 11

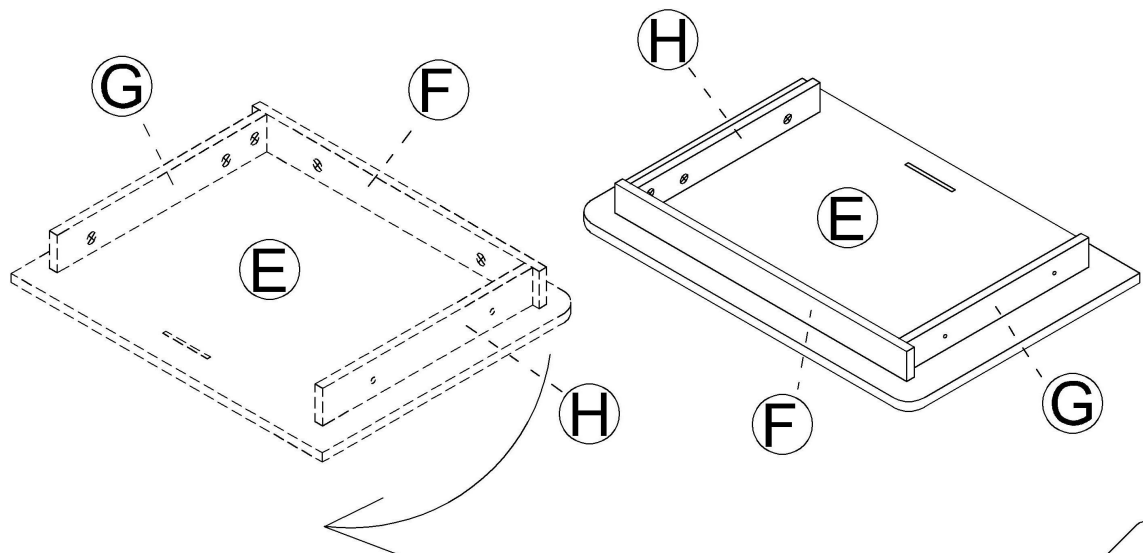
2



x6

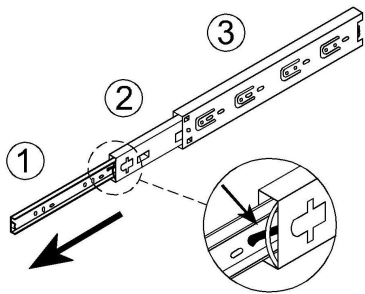


Step 12



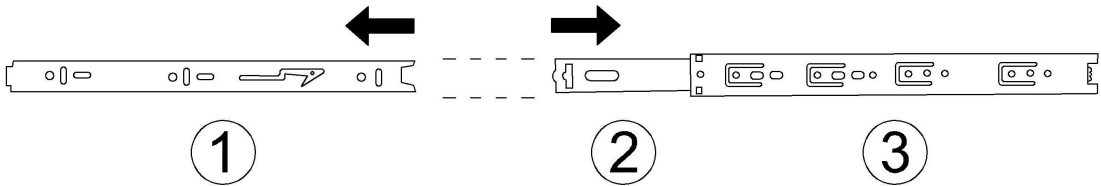
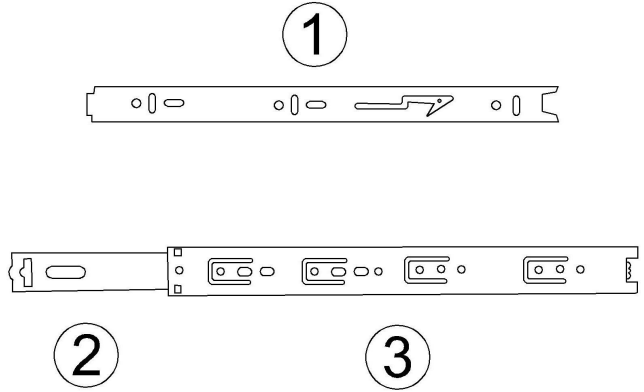
11

Exploded view of drawer guide rail

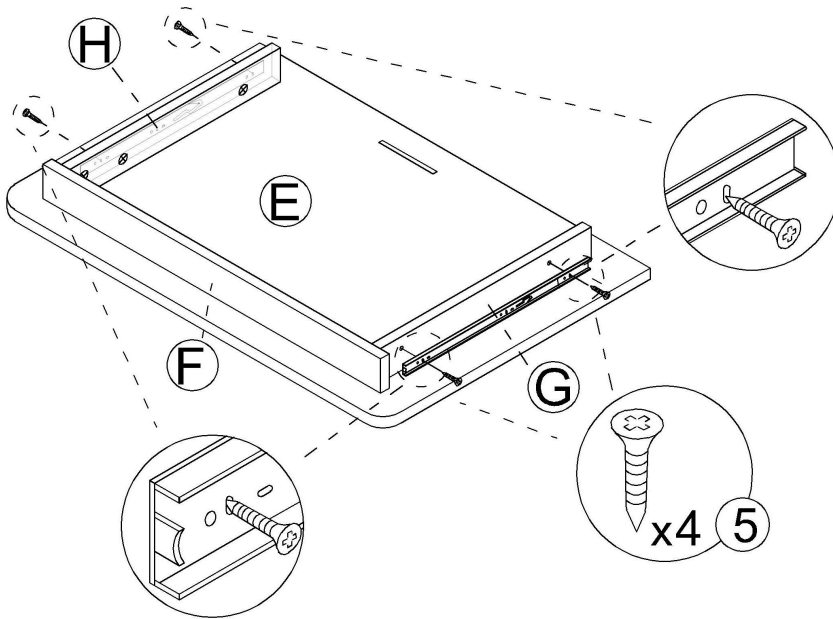
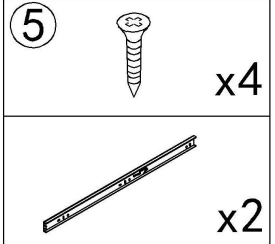
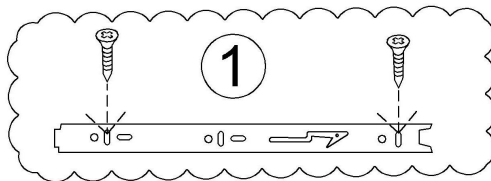


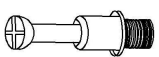




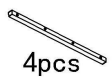

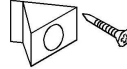





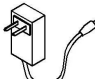
Step 1 : Pull the guide rail apart

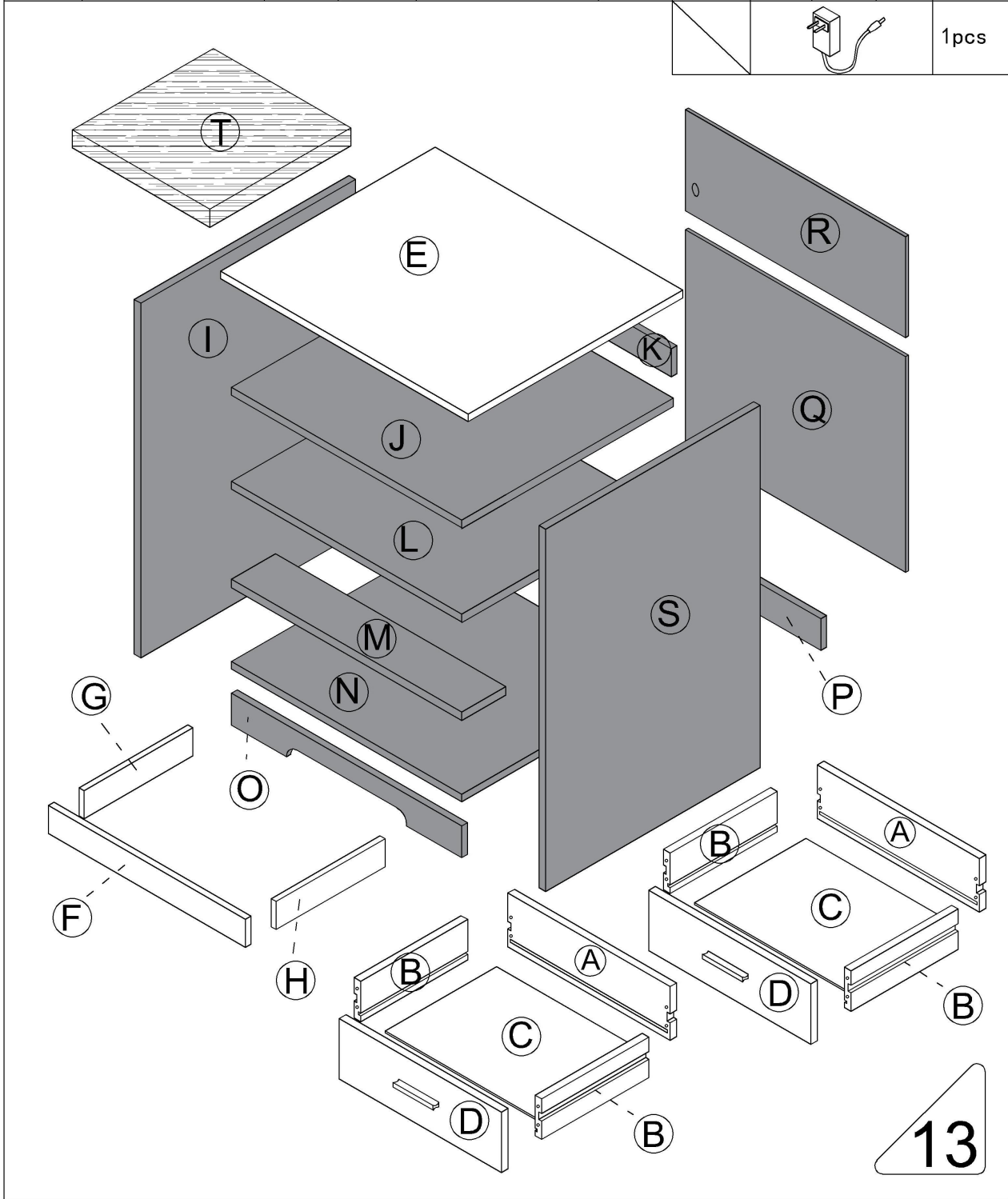
Step 2 : Push the nylon buckle and pull outward ①



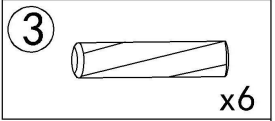
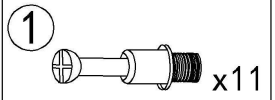
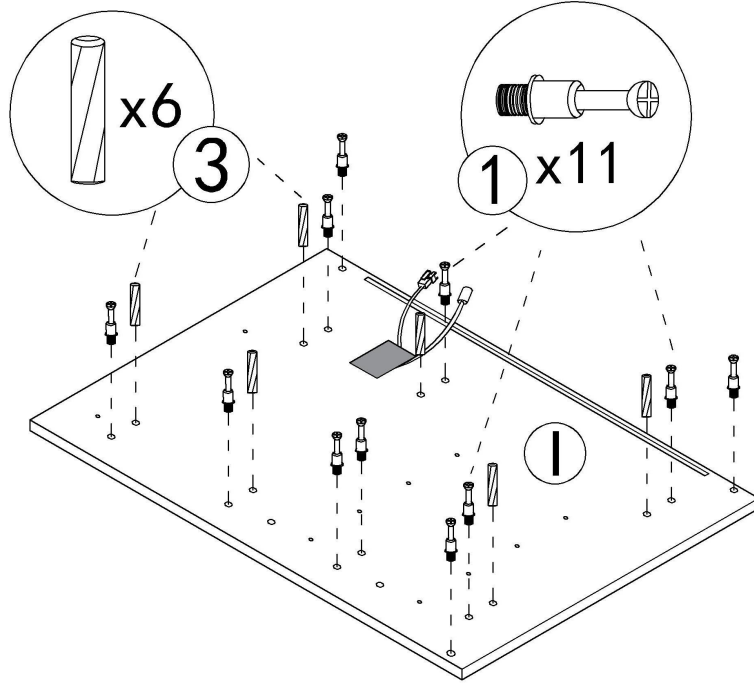
Step 13



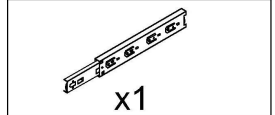
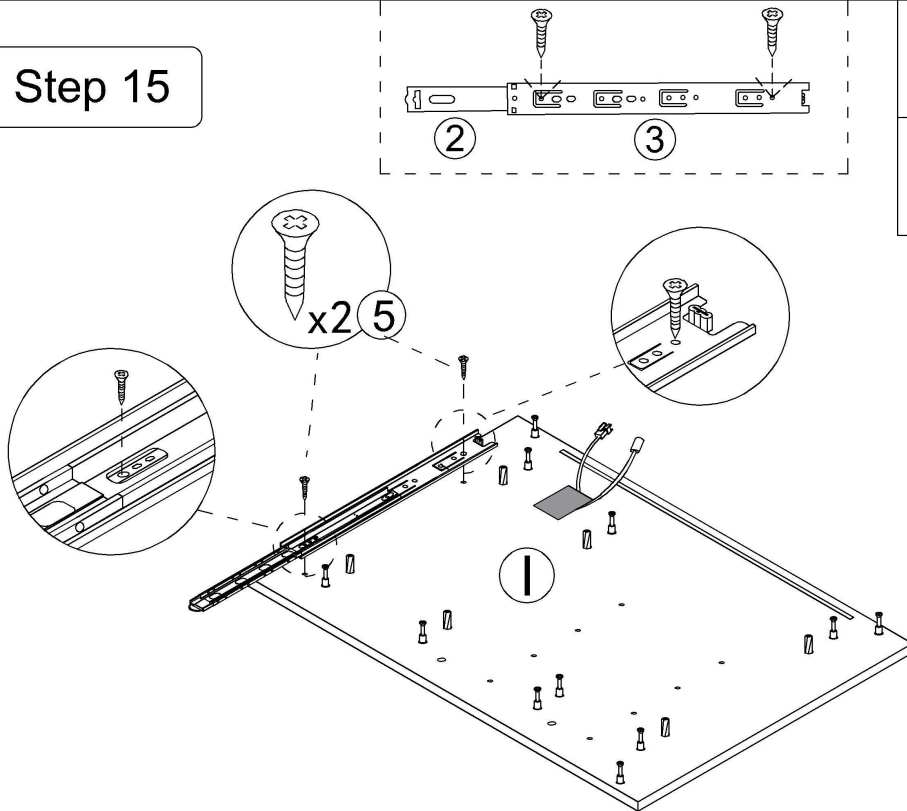
①		26pcs	⑤		2pcs		6pcs	⑧		4pcs
②		26pcs	⑥		4pcs		16pcs	⑨		4pcs
③		12pcs	⑦		4pcs	⑩				1pcs
										1pcs



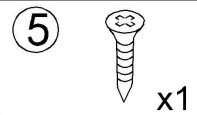
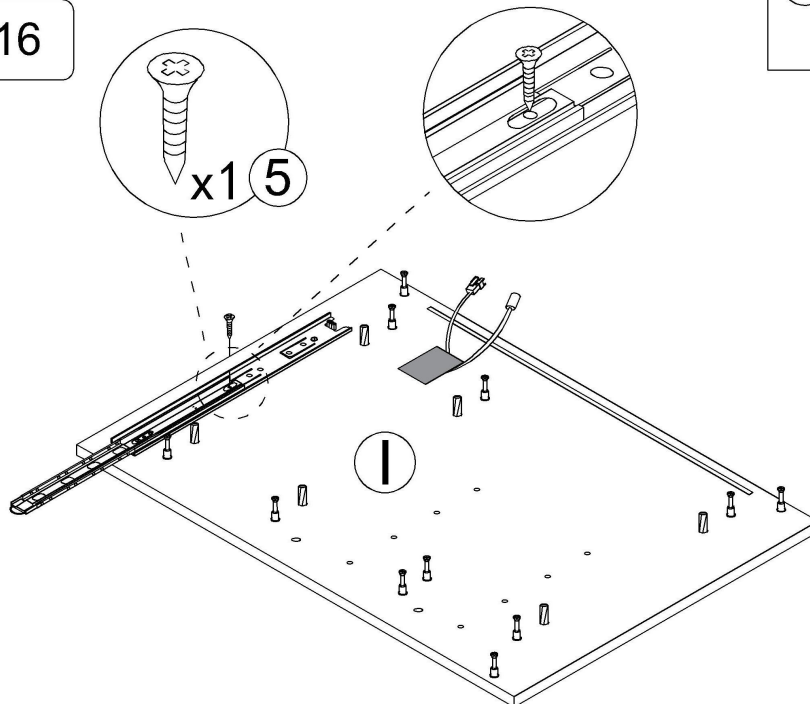
Step 14



Step 15

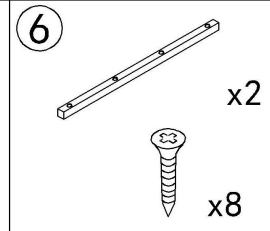
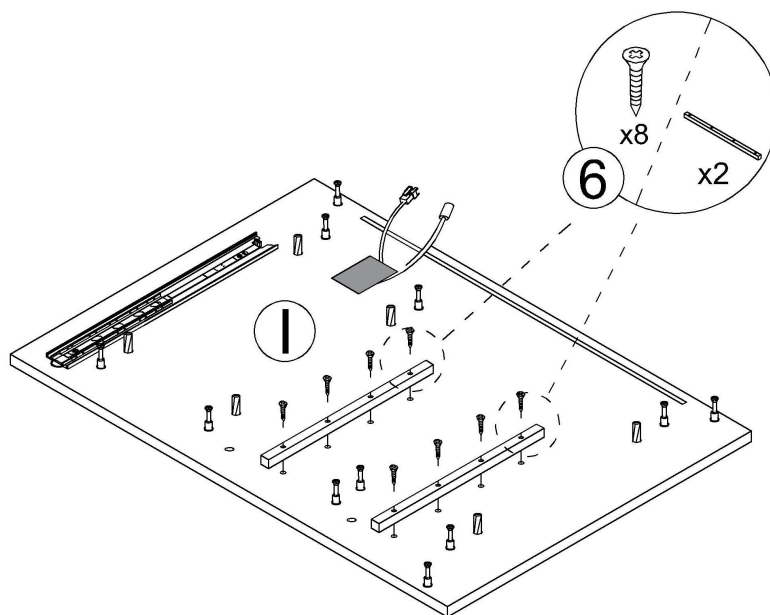


Step 16

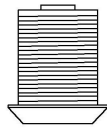


This hole is for strengthening fixed hole customers can choose to install according to their needs.

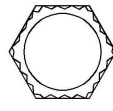
Step 17



The decomposition of the lock



①



②



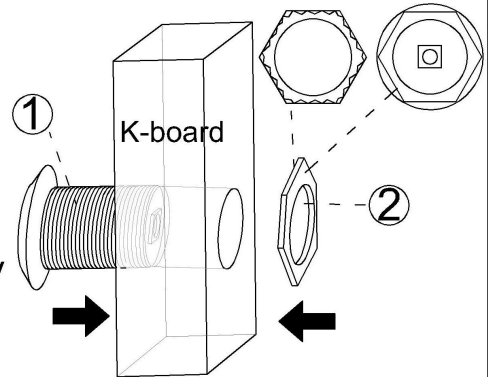
③



④

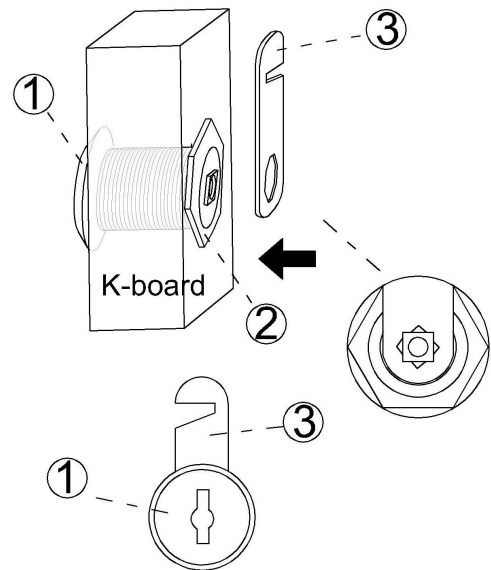
Step 1

1. Facing the direction of the keyhole position with the teeth, clamp the wooden board tightly
2. Insert part 1 into the hole of the K plate first, and then lock the hex nut



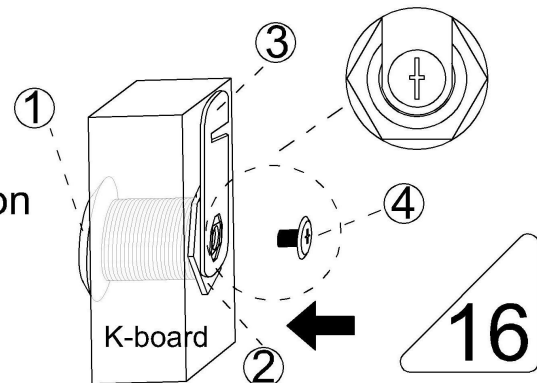
Step 2

1. Clip part 3 into the tail of part 1
2. The hole position of the key and the direction of the iron plate are the same

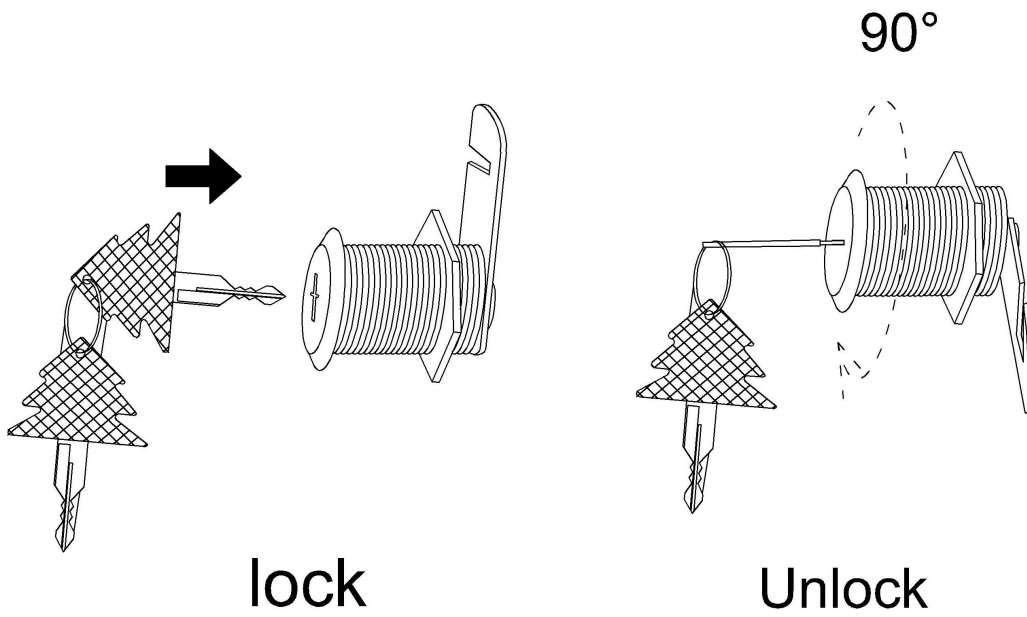


Step 3

1. Twist screw 4 into the hole position at the tail of 1

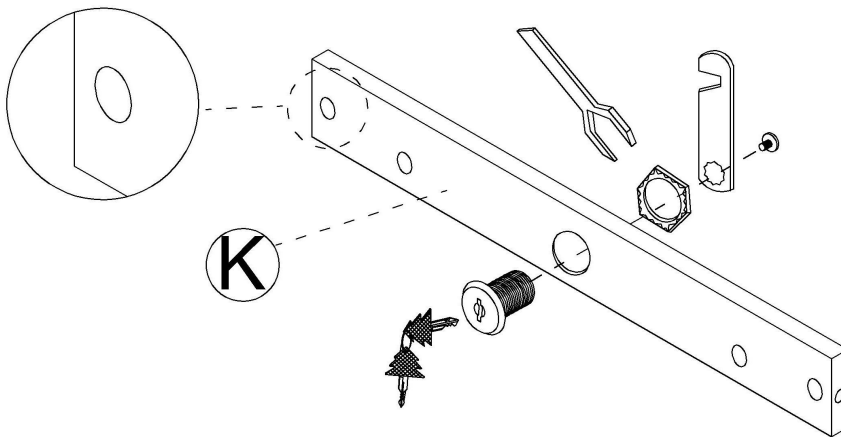


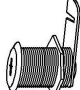


Unlock steps



Step 18

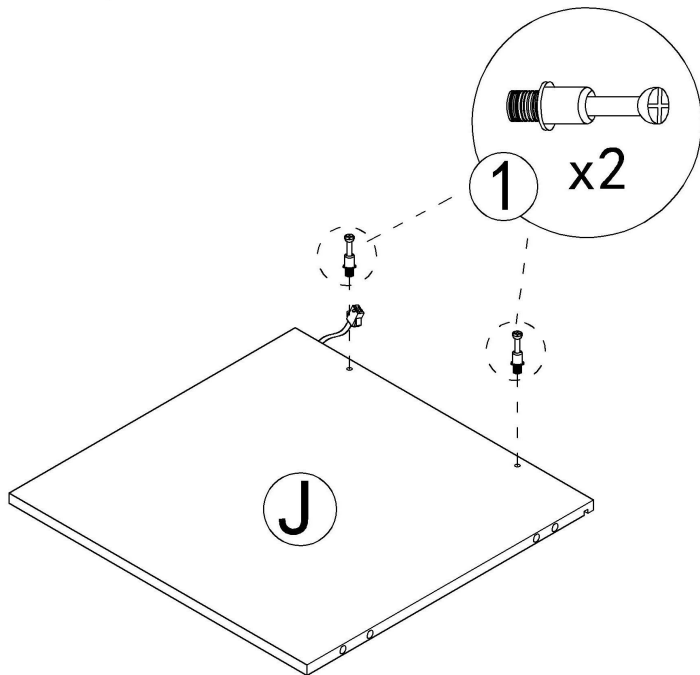
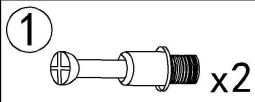
Pay attention to the direction of the hole position



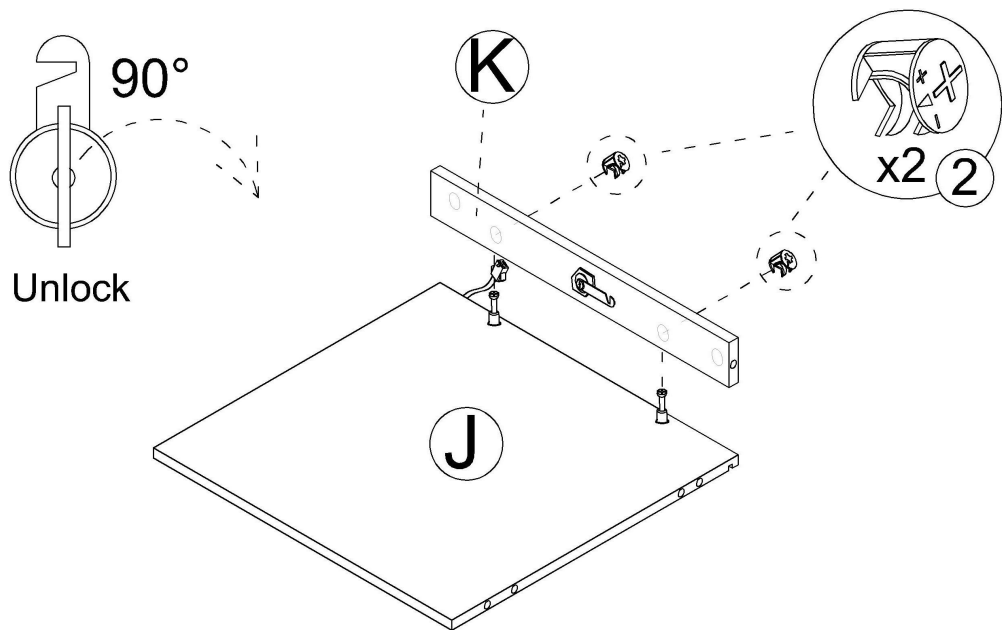
- ⑩  x1
-  x1
-  x1

Lock the hex nut with a wrench

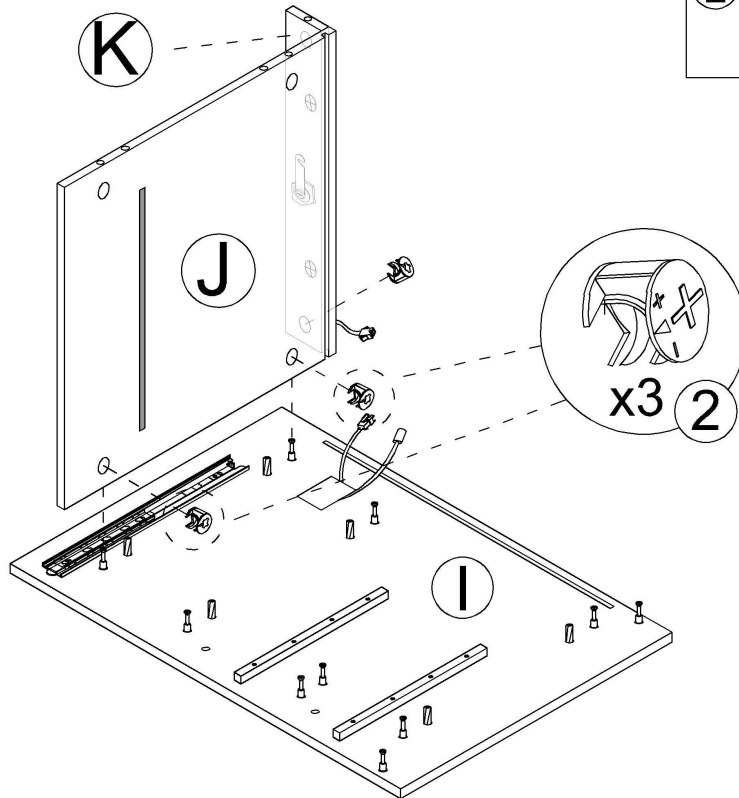
Step 19



Step 20



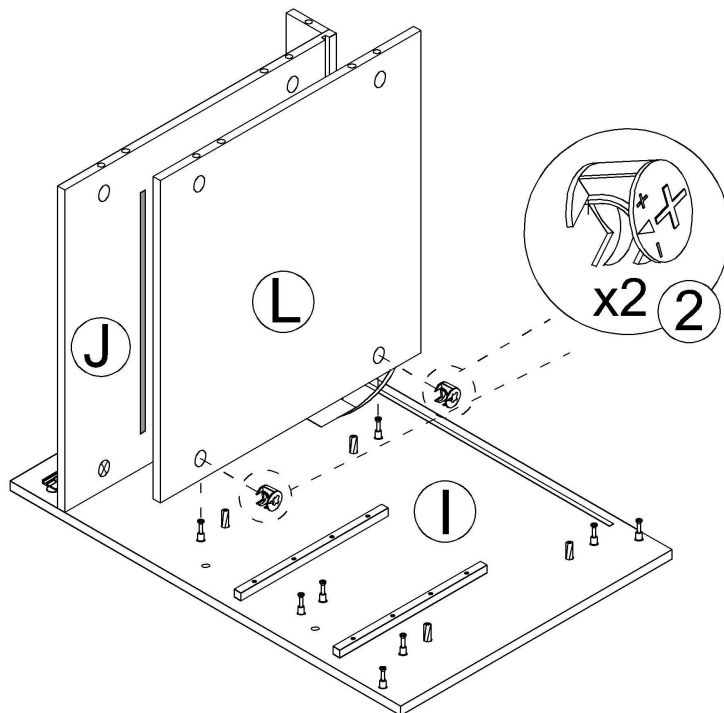
Step 21



2 x3

x3 2

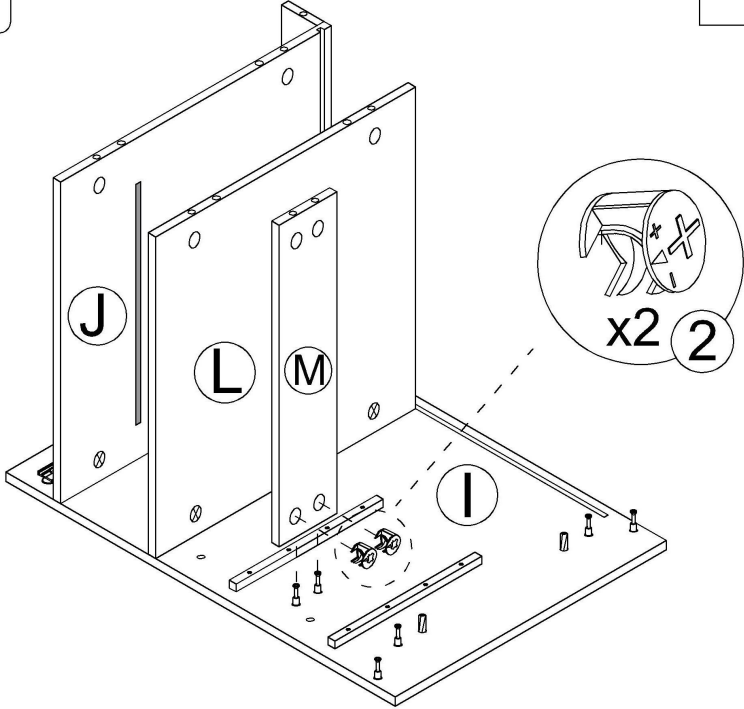
Step 22



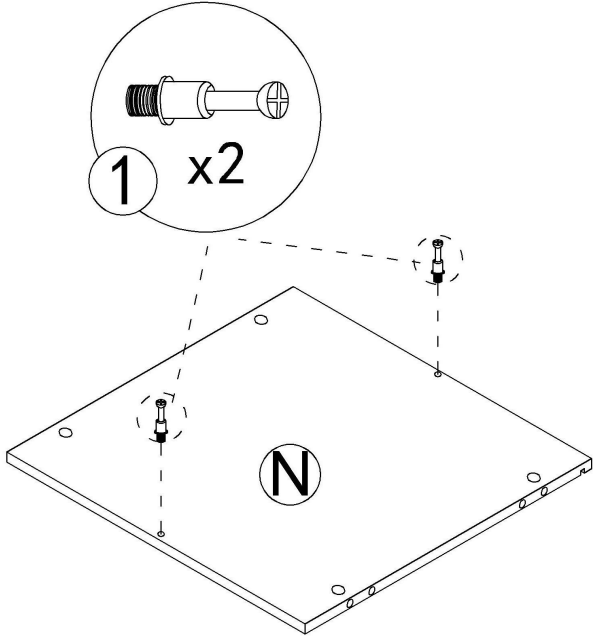
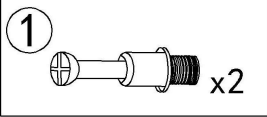
2 x2

x2 2

Step 23

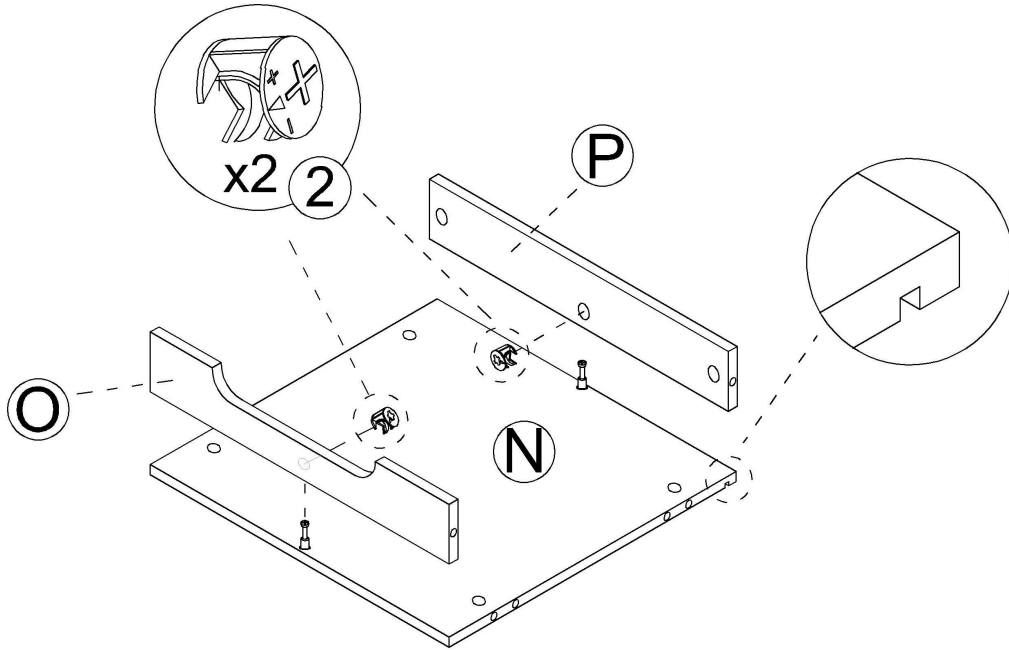


Step 24



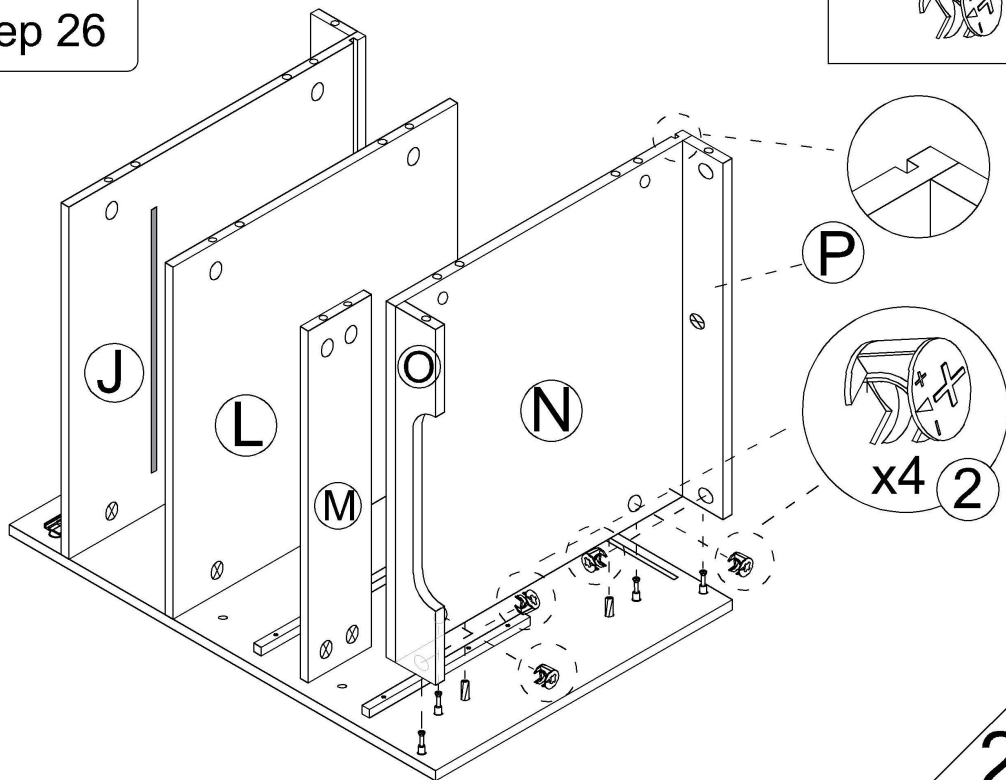
Step 25

②  x2

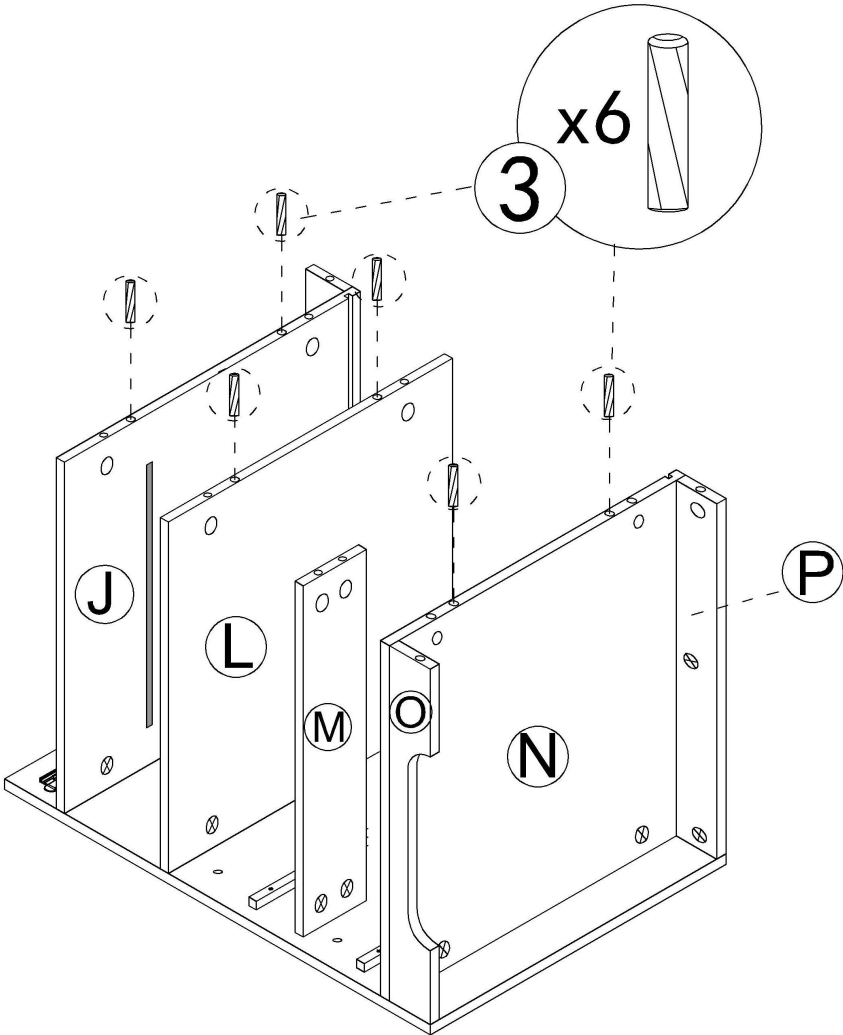
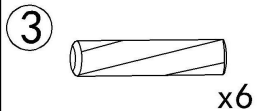


Step 26

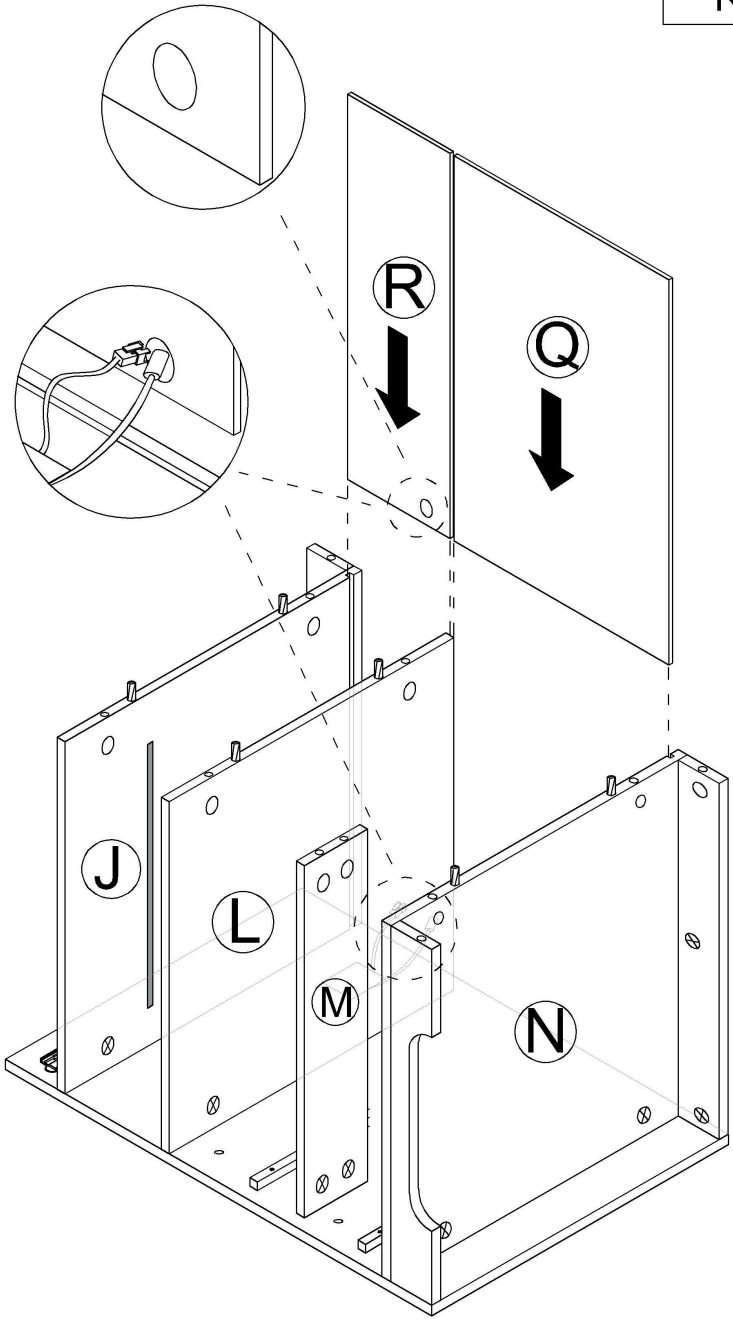
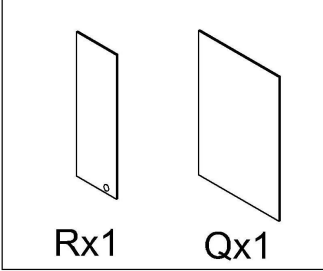
②  x4



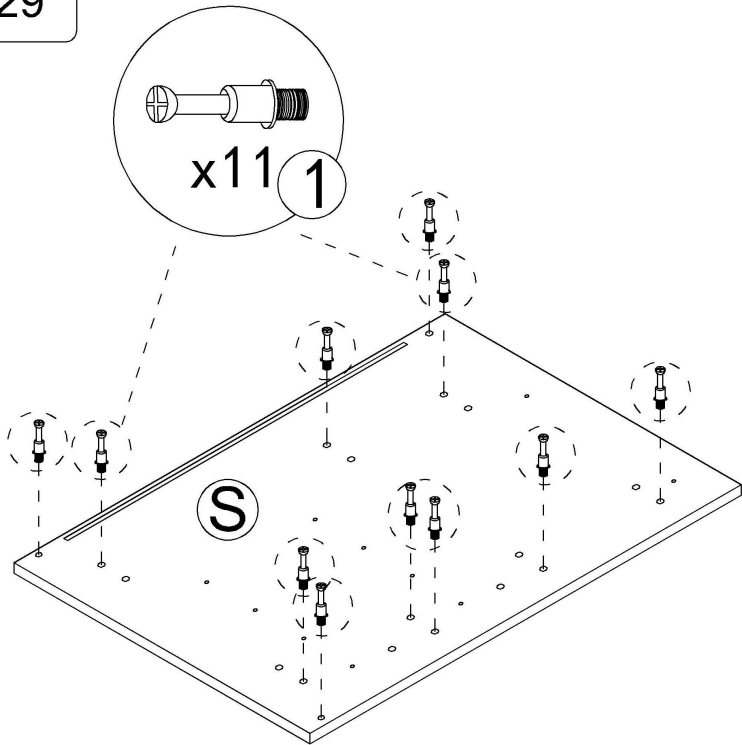
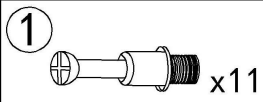
Step 27



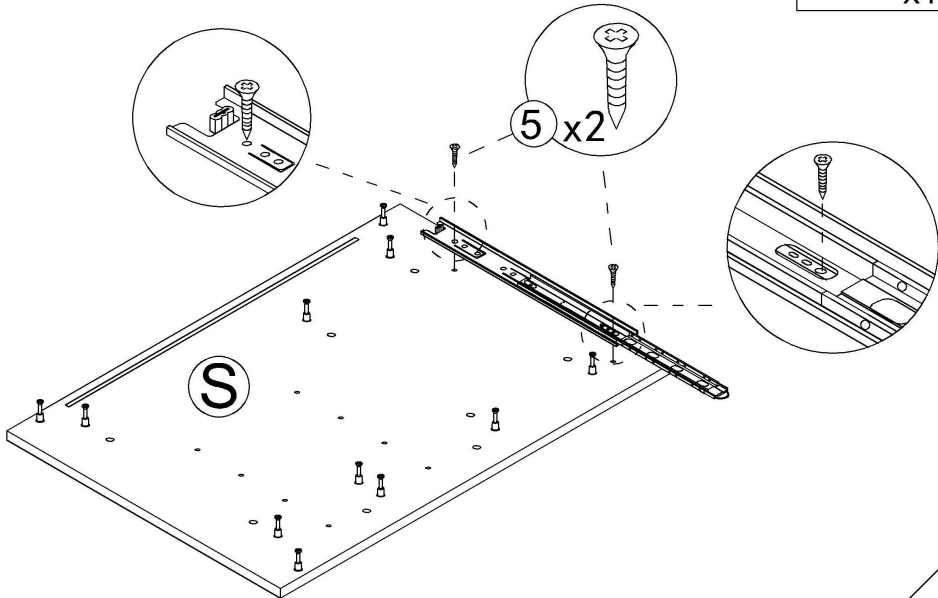
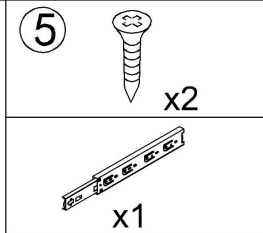
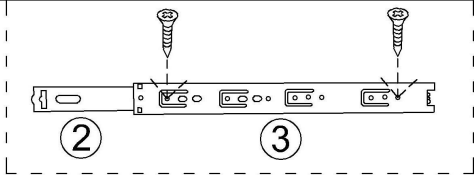
Step 28



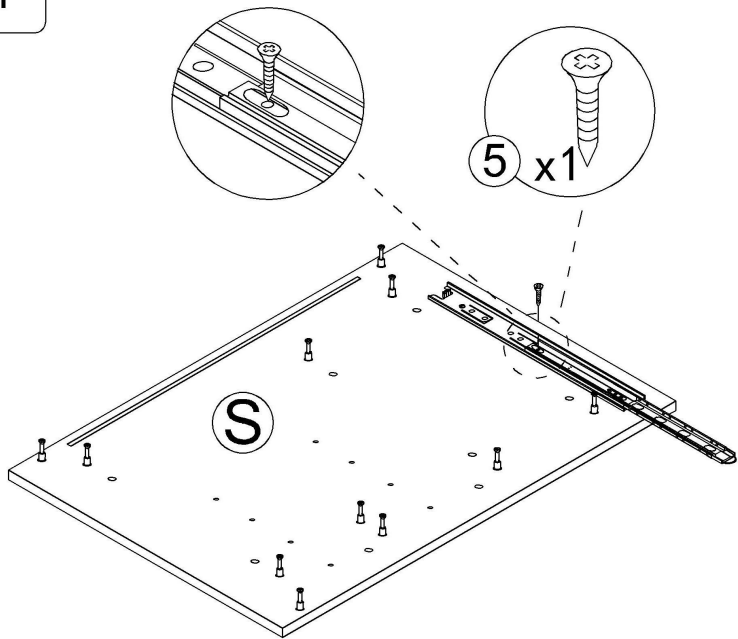
Step 29



Step 30

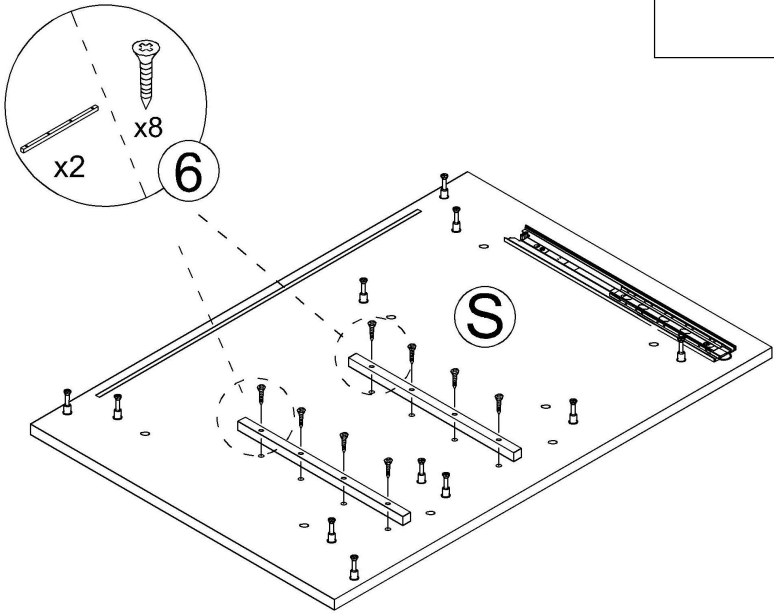
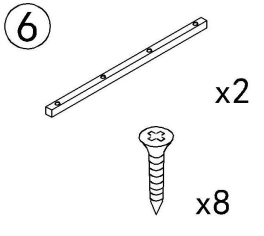


Step 31



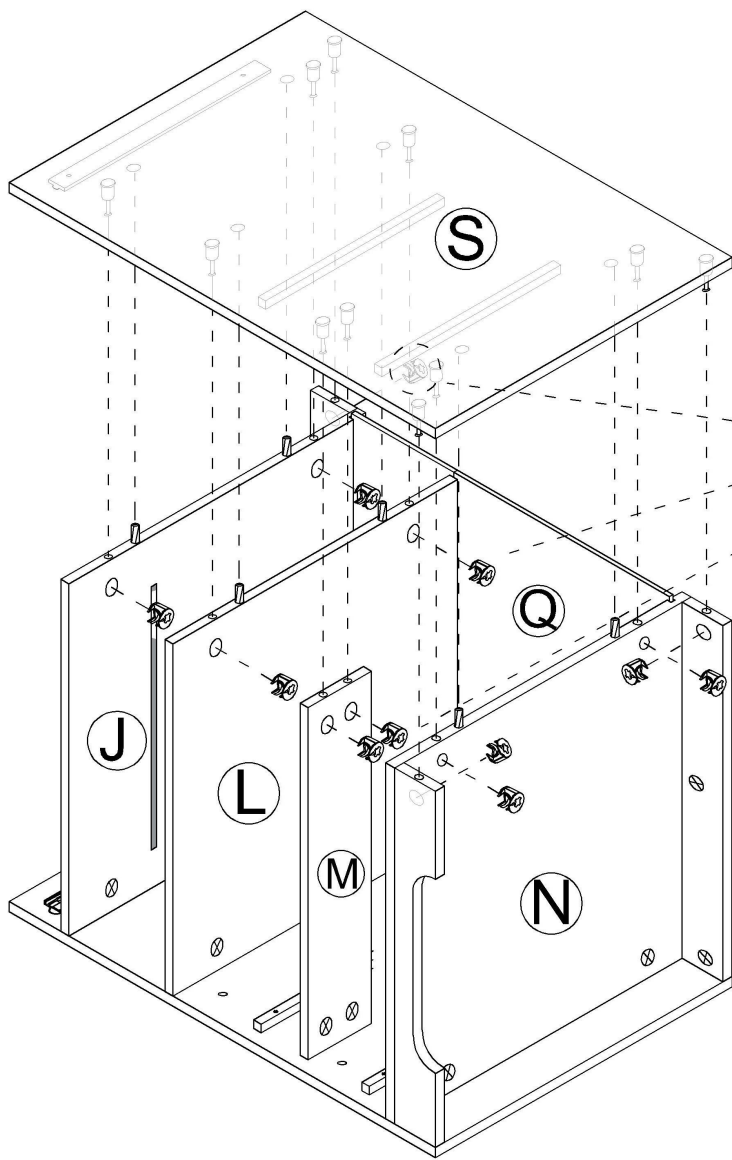
This hole is for strengthening fixed hole customers can choose to install according to their needs.

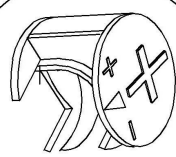
Step 32



Step 33

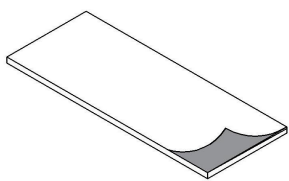
2  x11




x11 2

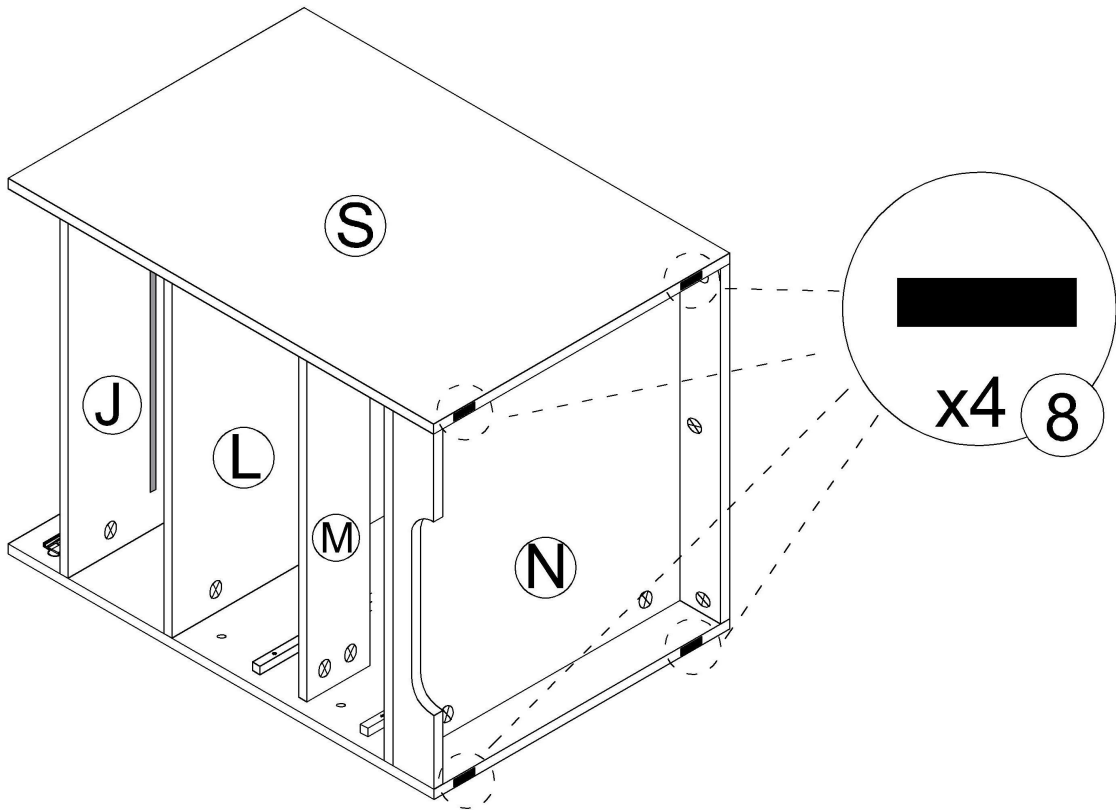
Step 34

8

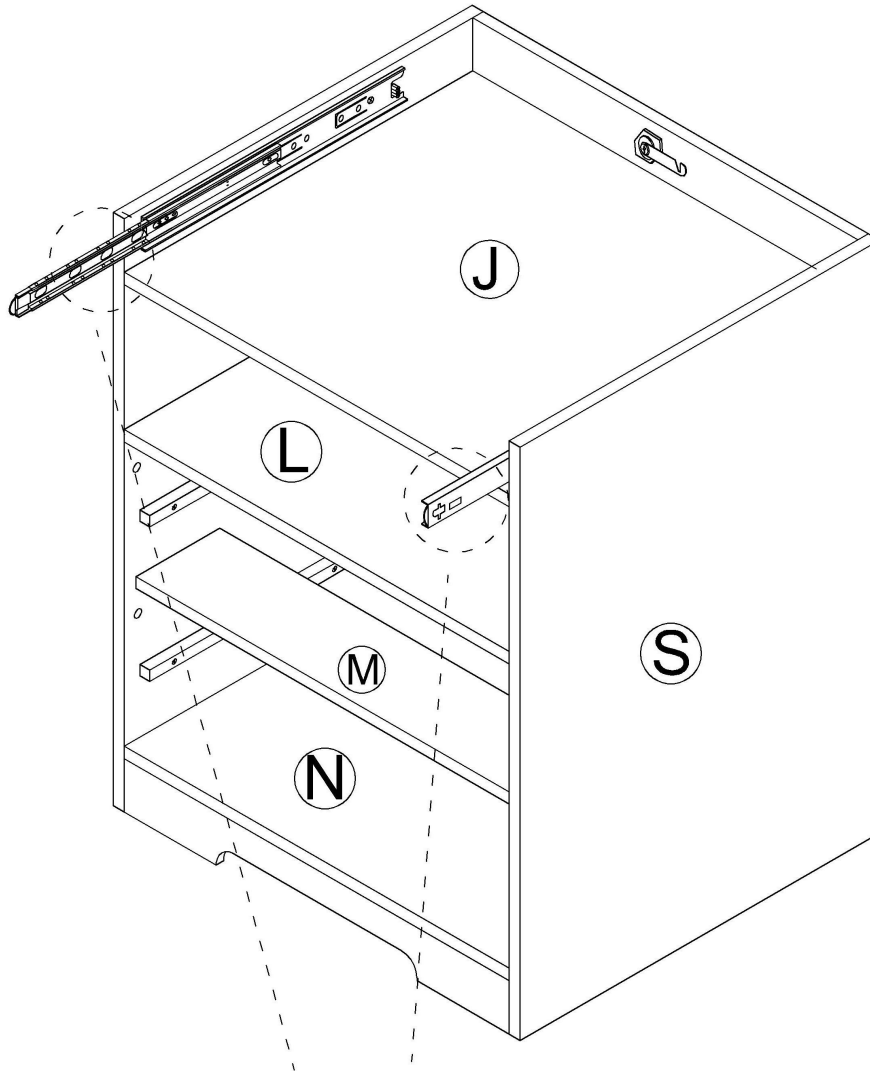


x4

Tear off release paper and stick the black foot pad on the board

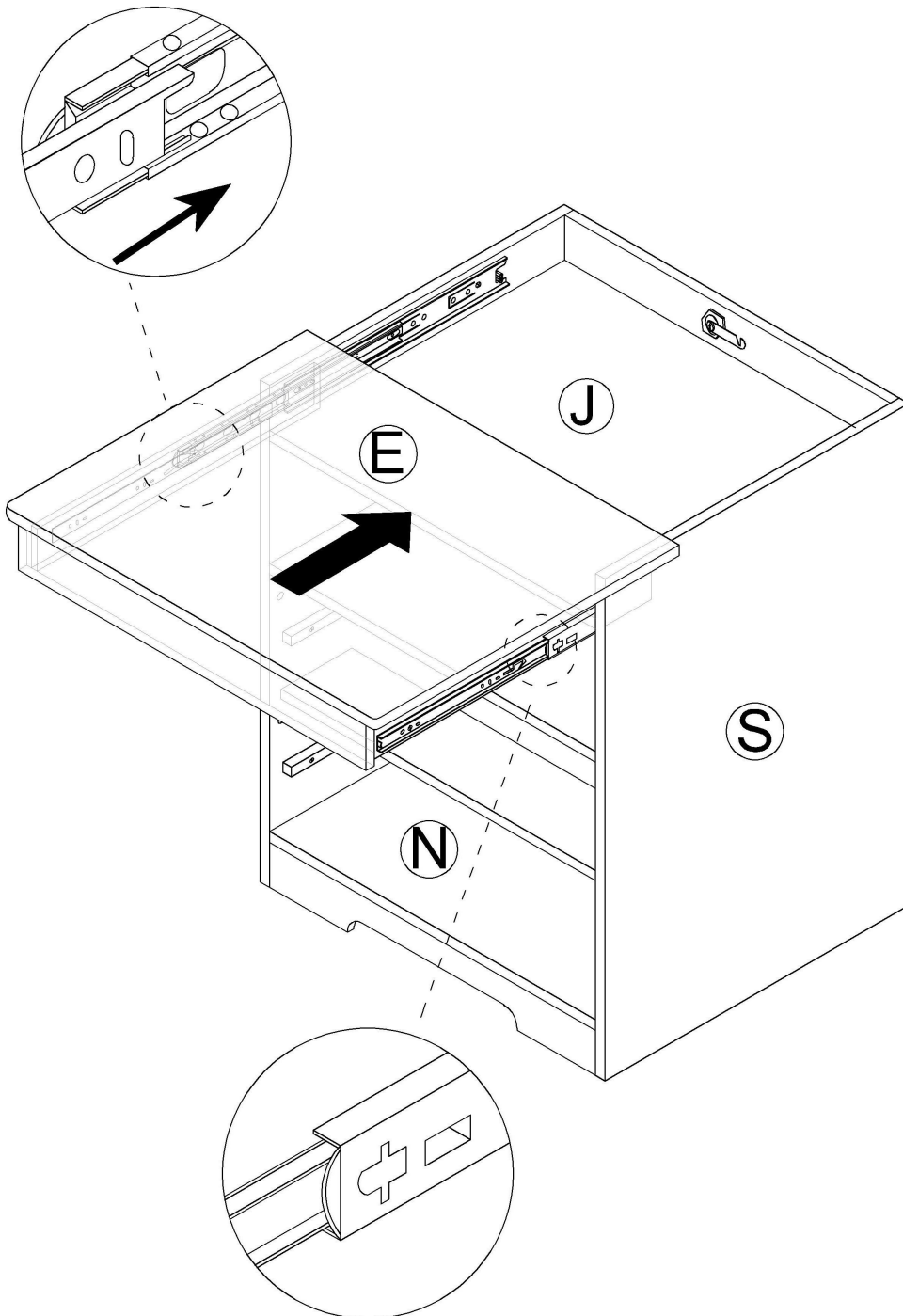


Step 35

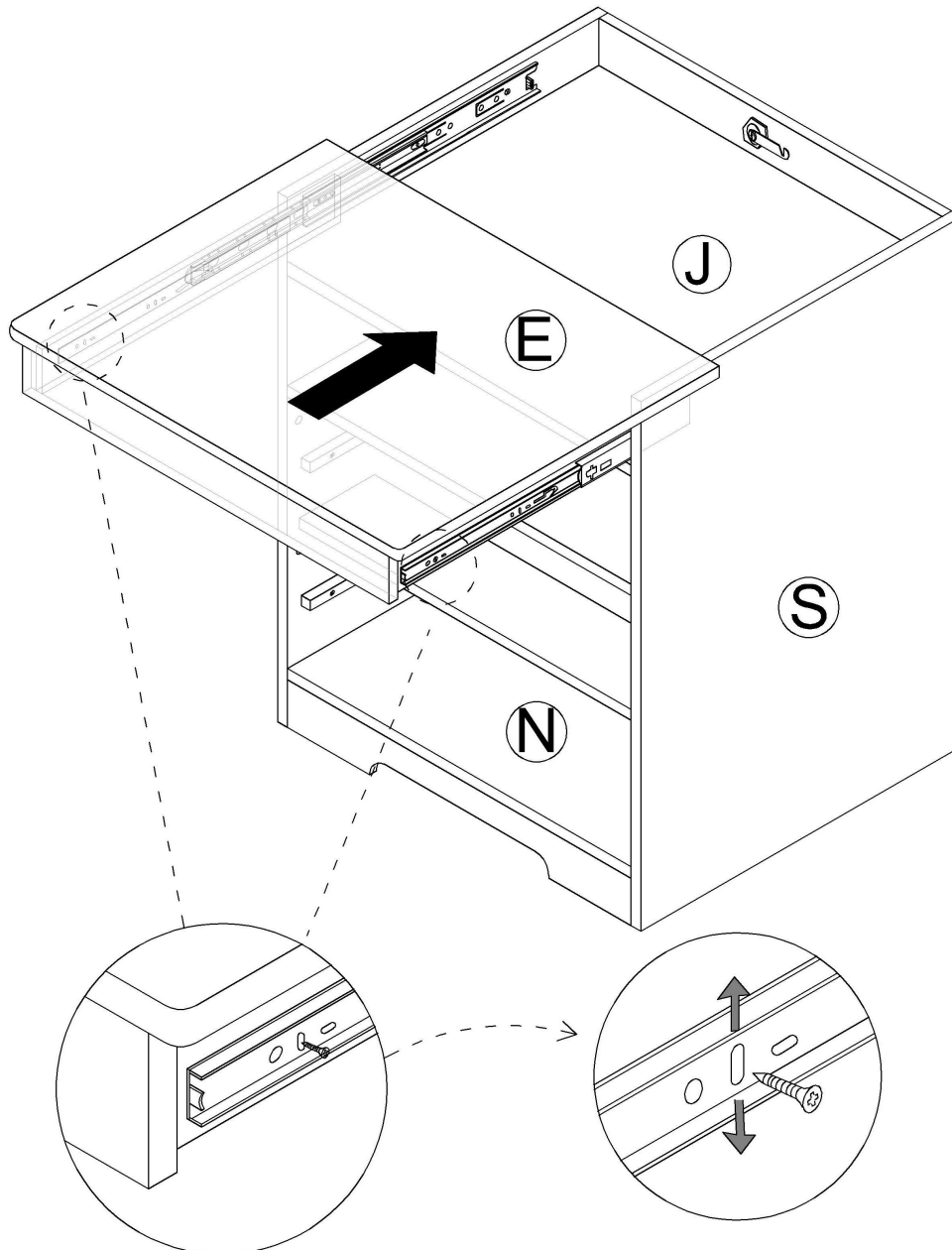


As shown, When installing the drawer, pull the guide rail out first, Slide beads are also pulled out.

Step 36

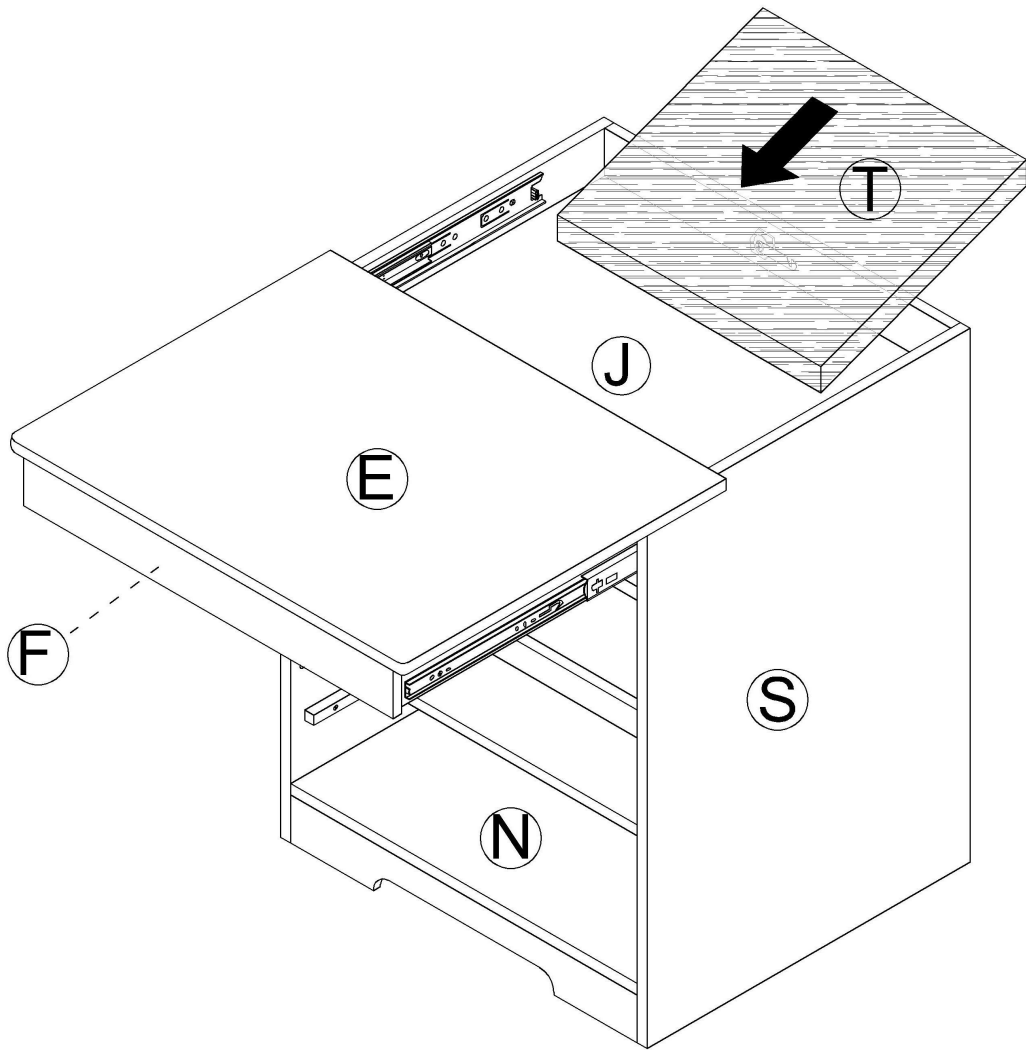
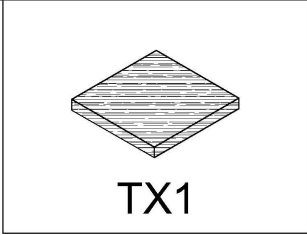


Step 37

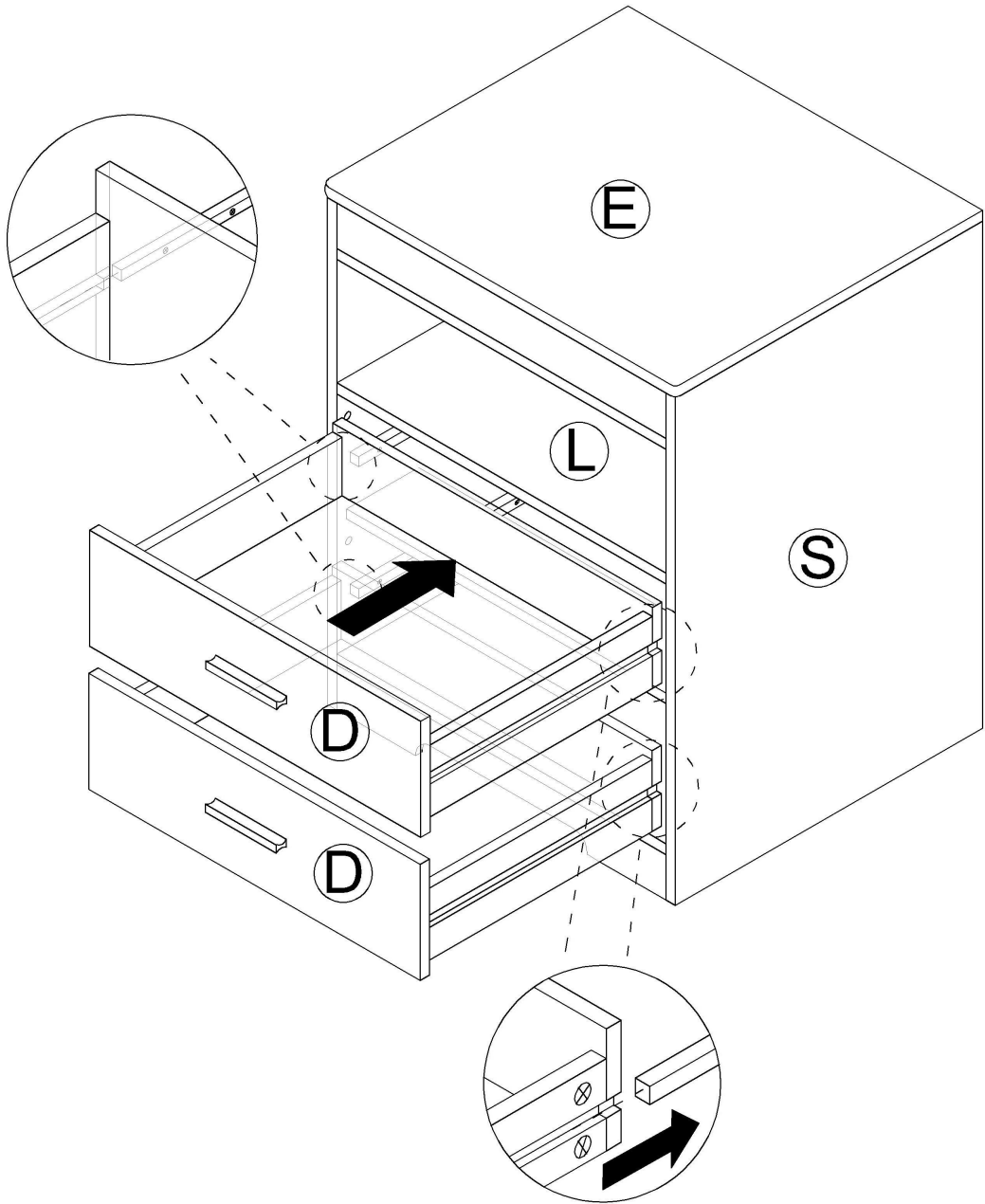


If a large gap is found after installing the drawer the slide rail can be moved up and down to adjust the gap


Step 38

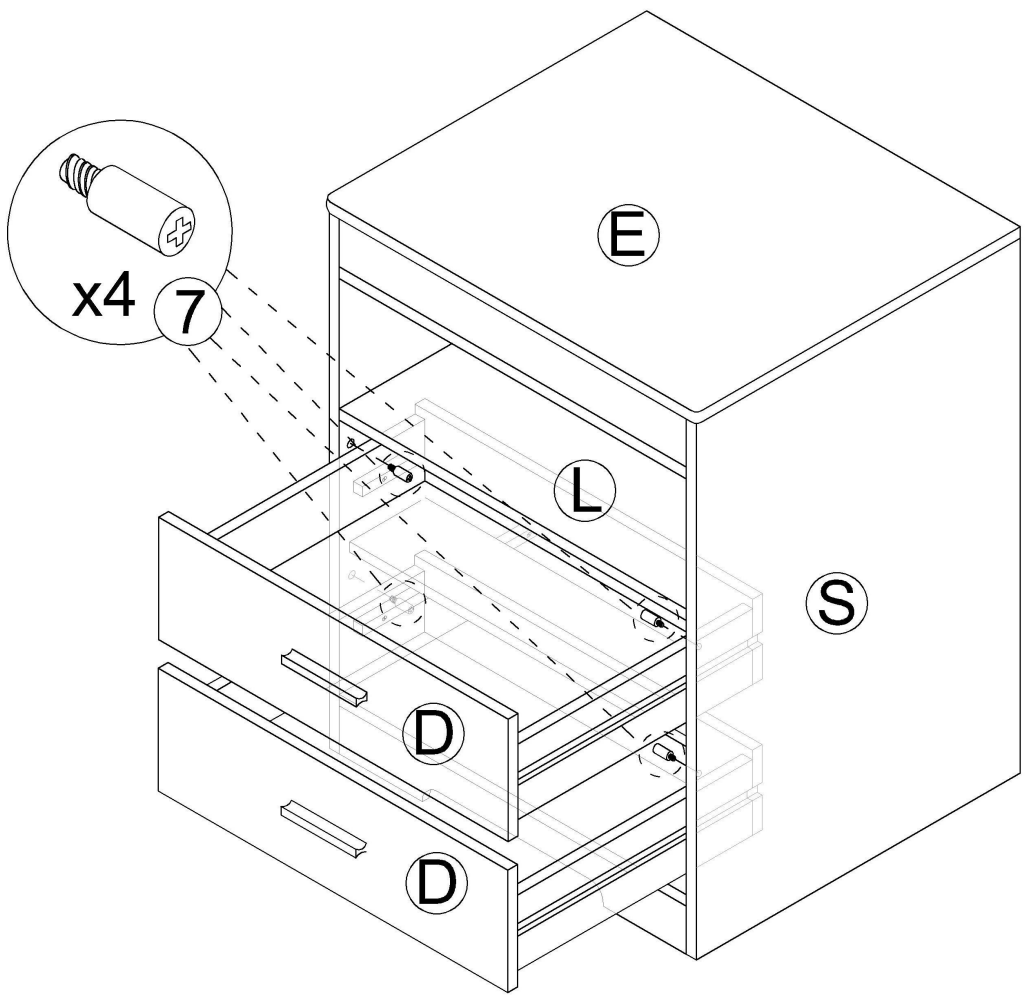


Step 39

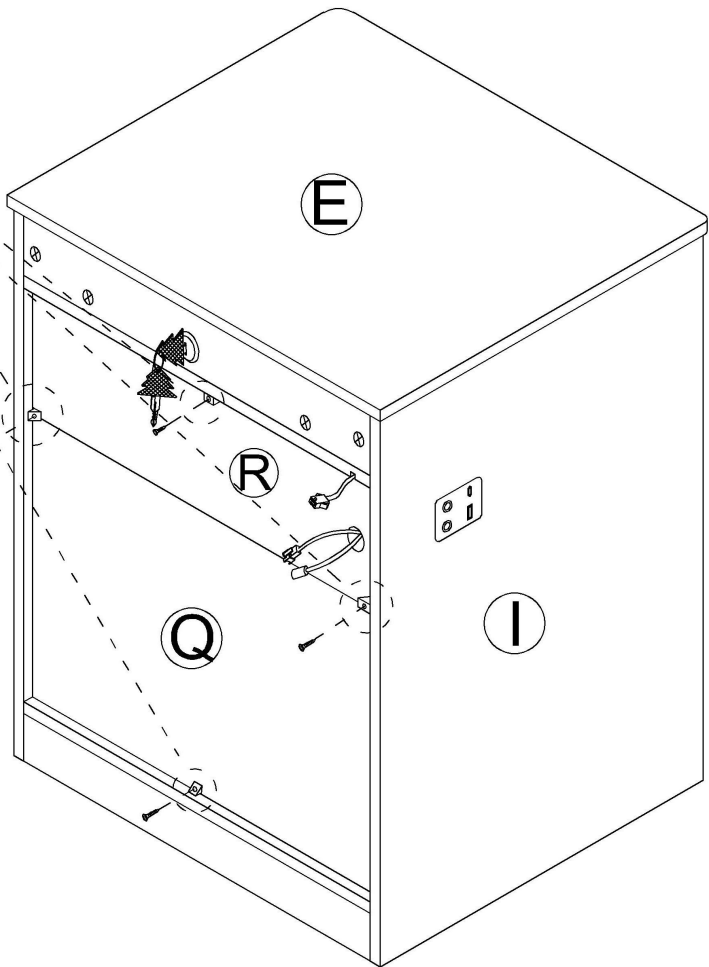
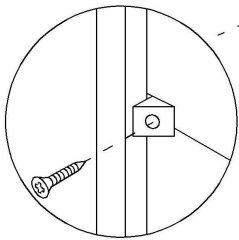
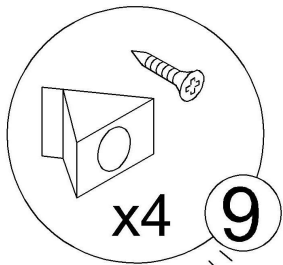
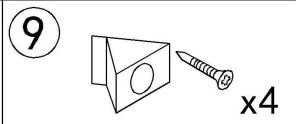


Step 40

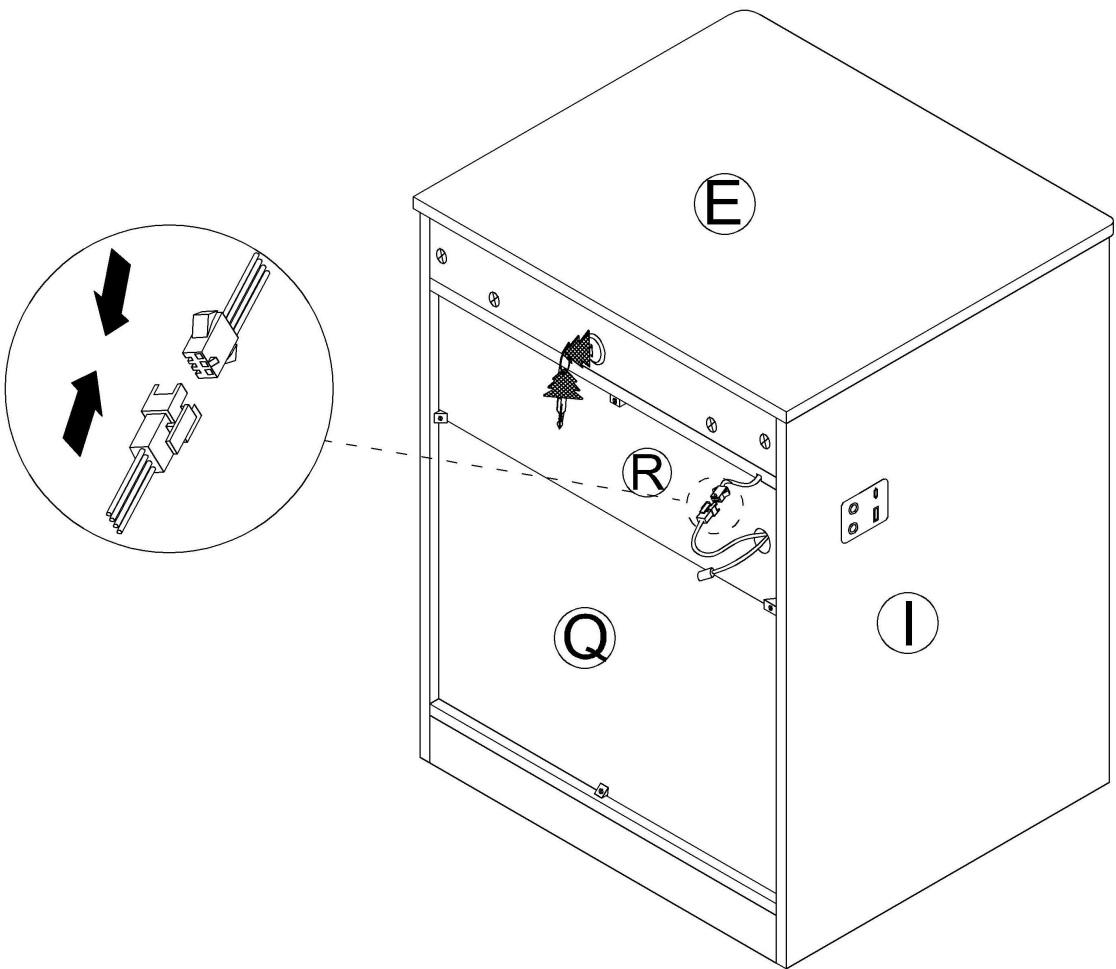
7  x4



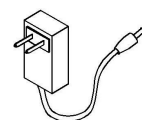
Step 41



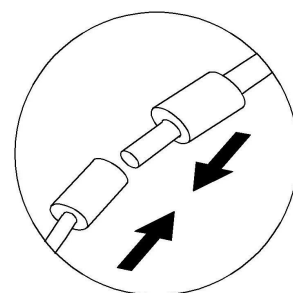
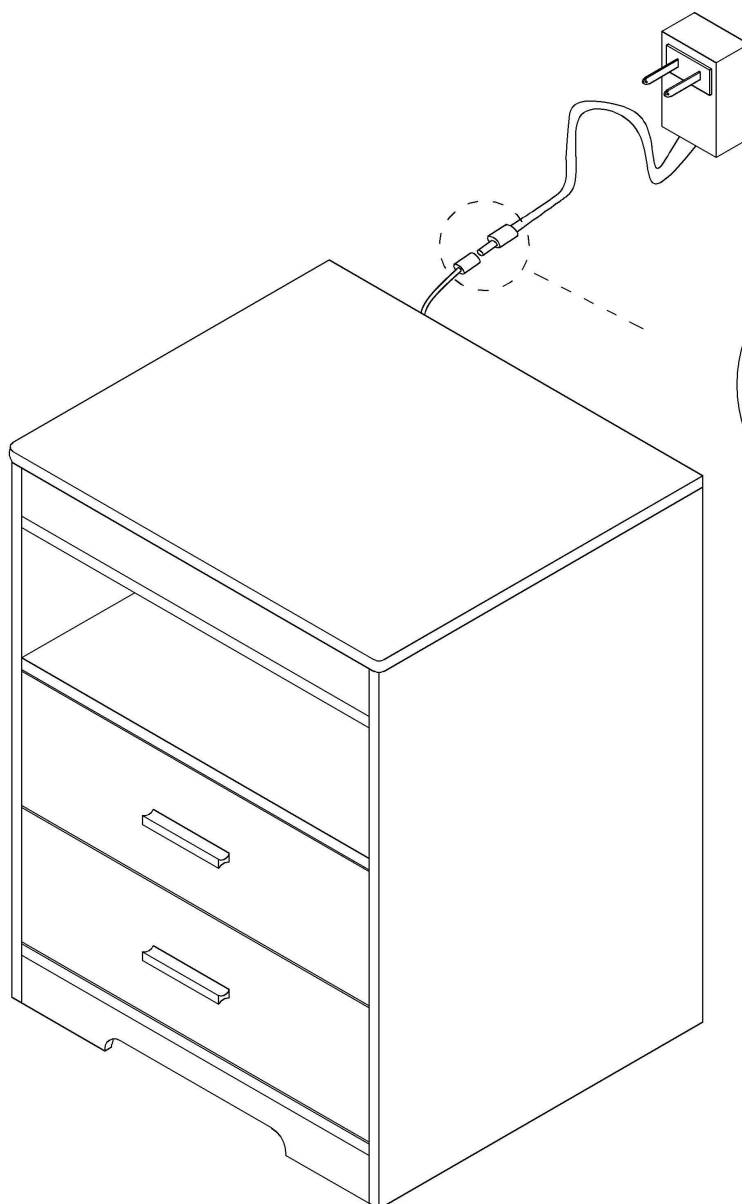
Step 42



Step 43



x1



36

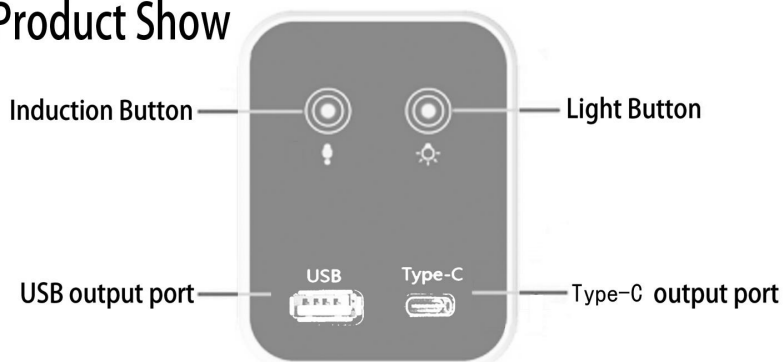
User's Guide


Thank you for purchasing this product. To use this product, please plug it into a 12V DC power supply. Please use if the product works normally after connecting to power.

Introduction

The box is an intelligent controller. It has 1 USB port and 1 type-C port and can distribute the current output up to 5V DC-2A. With 2 touch buttons, it can turn ON/OFF the light, change light colors, and adjust the light luminance.

Product Show



 **ATTENTION PLEASE**

1. If there is no touch response suddenly, Re-plug the power to reset the touch static electricity.
2. If bubbles appear on the panel, remove the protective film.

Operation



This touch button is used to turn on/off, change colors, and adjust brightness.

A. Short touch -> lighting on -> short touch -> change light color -> short touch -> change light color -> short touch -> lighting off. B. Long touch -> adjust the luminance



This touch button is used to turn on/off the induction function.

A. Short touch to turn on the induction function. It can auto-turn on the light when people are close to the controller in 1 meters. It can auto power off the light when the body is far away from the controller after 30 seconds.

B. Long touch to turn off the induction function.

C. Note: When you touch the light button to change the light modes, the induction function will automatically turn off. It is best to turn on this function after selecting the light color and adjusting the brightness you want.