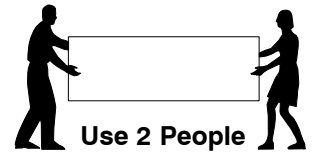
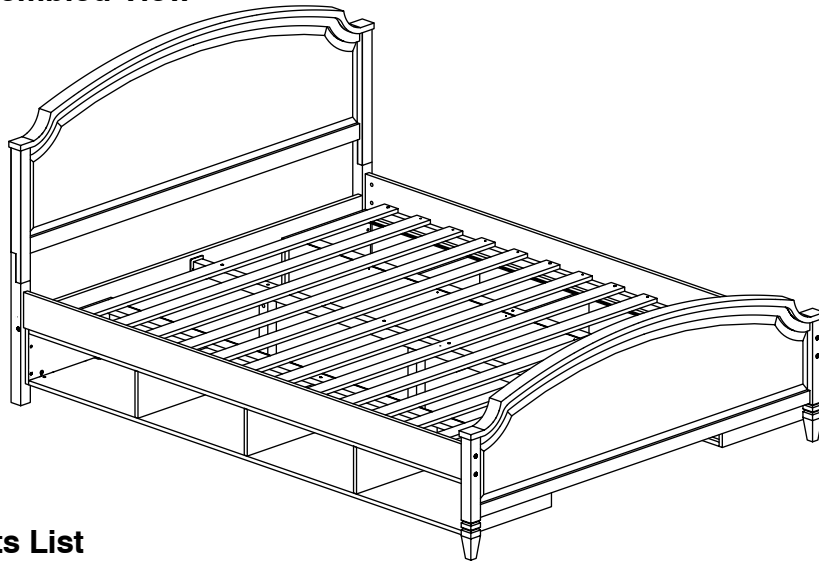


Queen Bed

Assembly Instructions

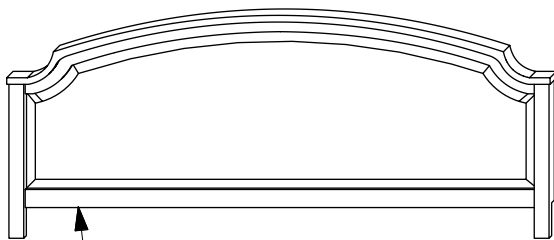
1 Assembled View



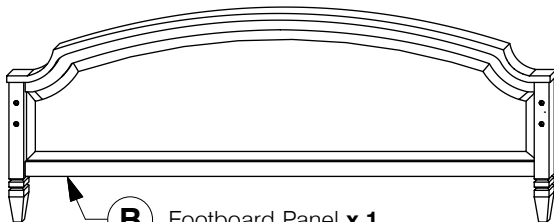
Note: Do not assemble using power tools. This can cause the bolts to be overtightened

2 Parts List

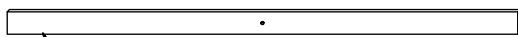
Parts in Box A:



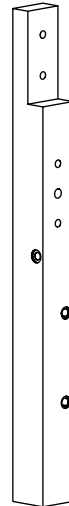
A Headboard Panel x 1



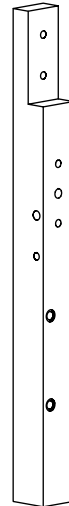
B Footboard Panel x 1



C Headboard Support Rail x 1



D Headboard Post (Left Hand) x 1

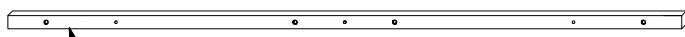


E Headboard Post (Right Hand) x 1

Parts in Box B:



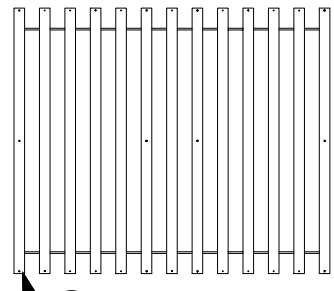
F Side Rail x 2



G Long Support x 1



H Support Leg x 3



J Set of Bed Slats x 1

Queen Bed

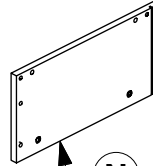
Assembly Instructions

2 Parts List

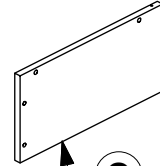
Parts in Box C:



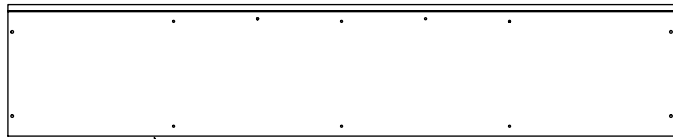
K Storage Back Panel x 2



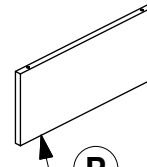
N Storage Side Panel (Left Hand) x 2



O Storage Side Panel (Right Hand) x 2



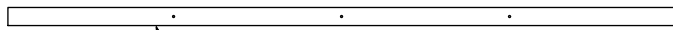
L Storage Bottom Panel x 2



P Storage Divider x 6



Q Storage Foot x 4

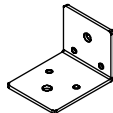


M Storage Support Rail x 4

3 Hardware List



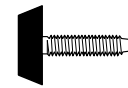
1 M4 Allen Key x 1



2 Center Rail Bracket x 2



3 'L' Bracket x 8



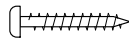
4 Adjustable Foot x 3



5 Barrel Nut x 13



6 Wood Screw (M4 x 16mm) x 14



7 Wood Screw (M4 x 32mm) x 18



8 Wood Dowel (M8 x 30mm) x 8



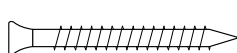
9 Wood Dowel (M10 x 40mm) x 6



10 Spring Washer x 4



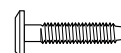
11 Flat Washer x 4



12 CSK Cap Wood Screw (M6 x 50mm) x 24



13 M6 x 15mm JCB x 20



14 M6 x 30mm JCB x 8



15 M6 x 40mm JCB x 20



16 M6 x 60mm JCB x 8

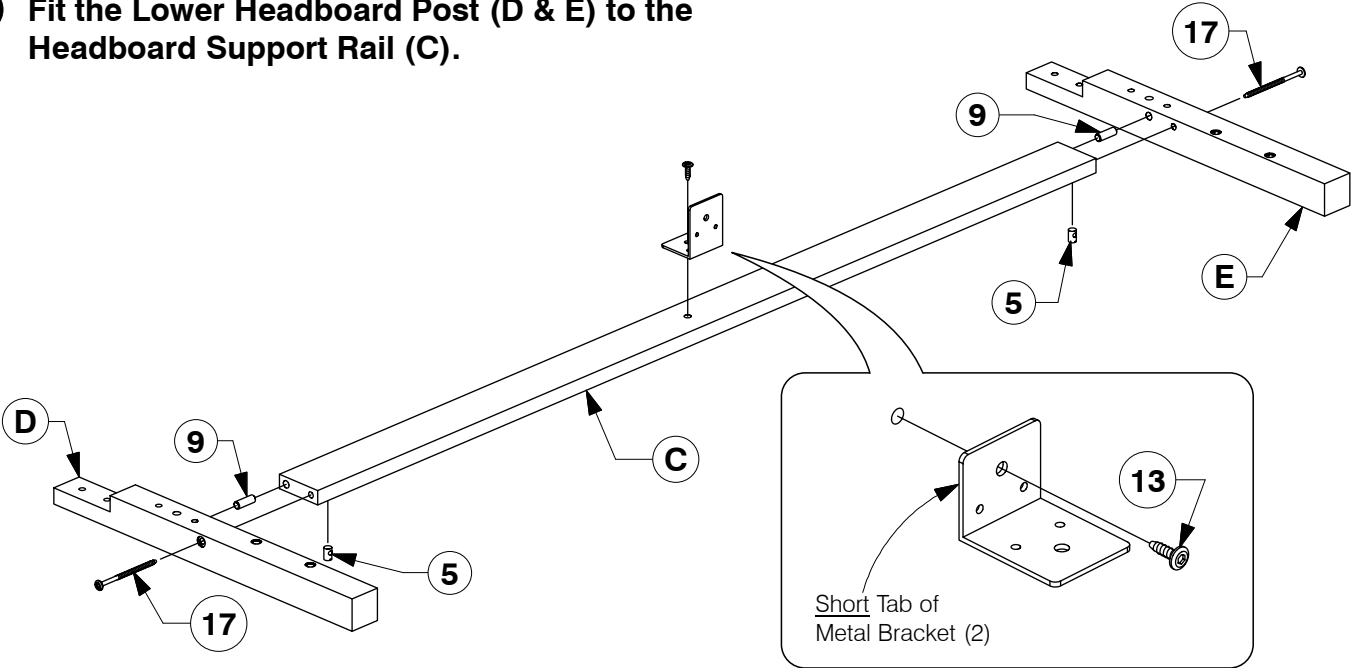


17 M6 x 90mm JCB x 13

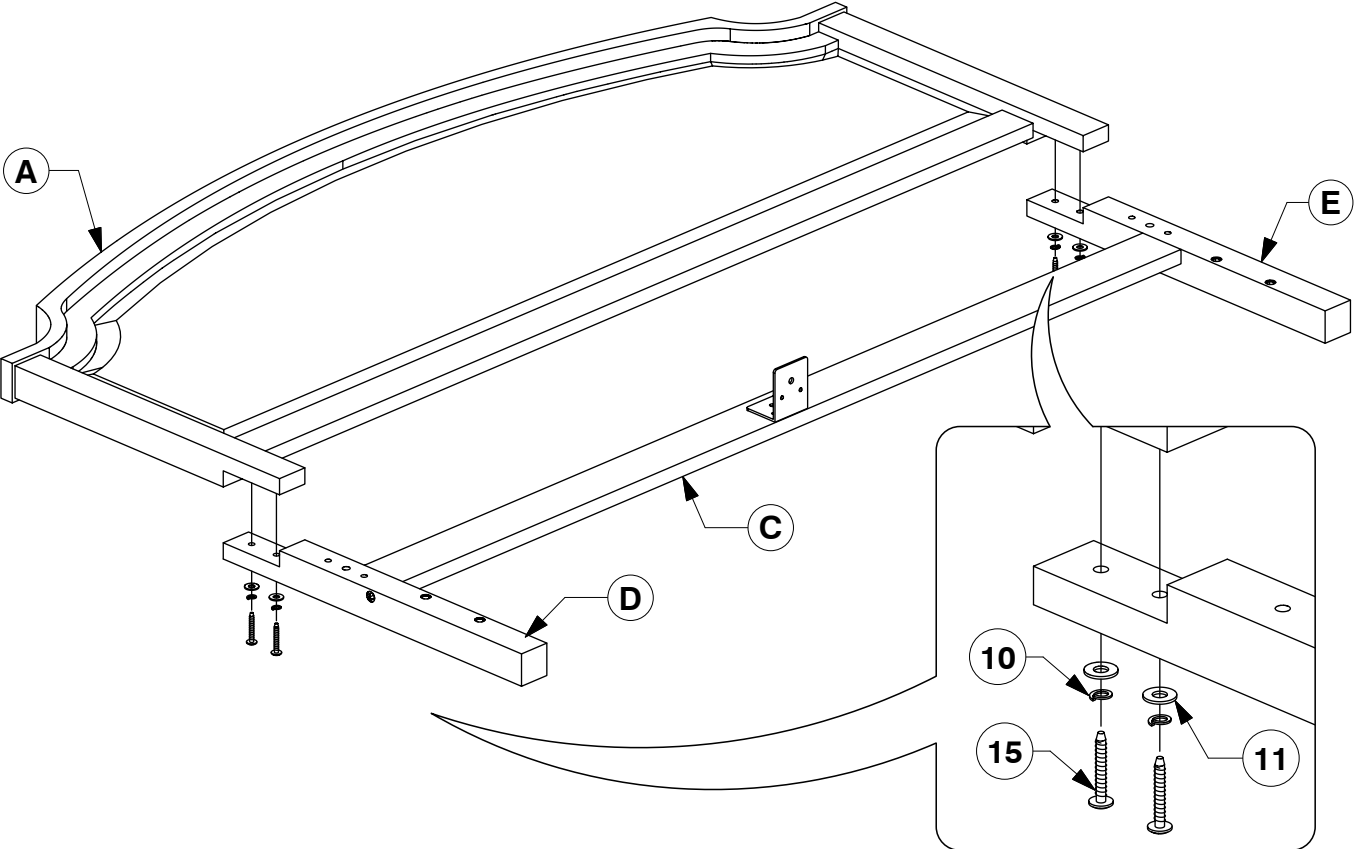
Queen Bed

Assembly Instructions

4 Fit the Lower Headboard Post (D & E) to the Headboard Support Rail (C).



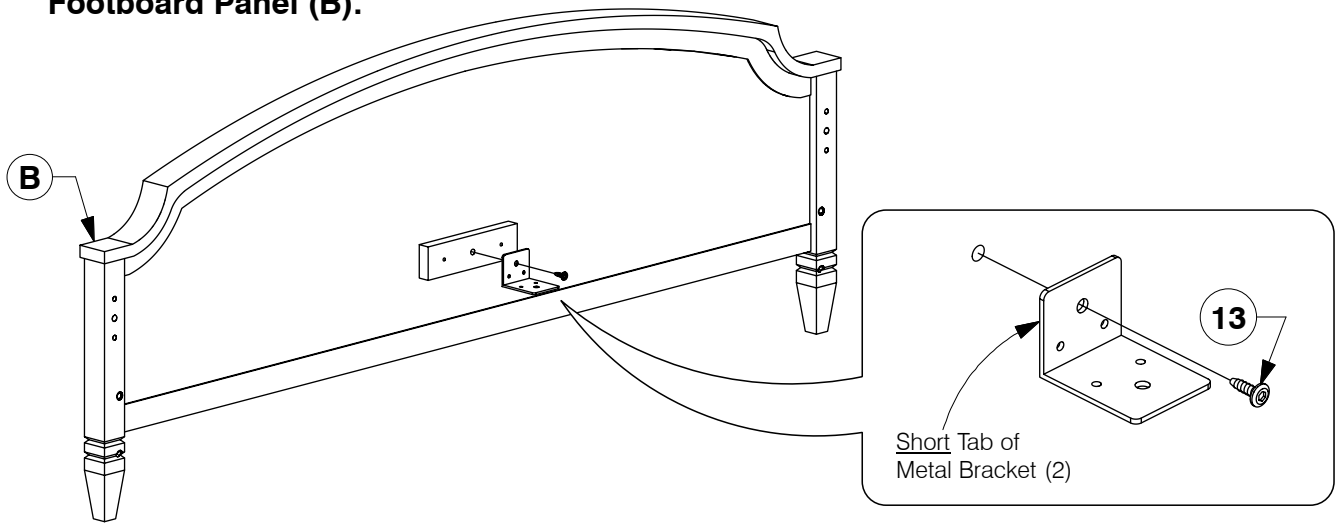
5 Fit the Headboard Panel (A) to the Headboard Post (D & E).



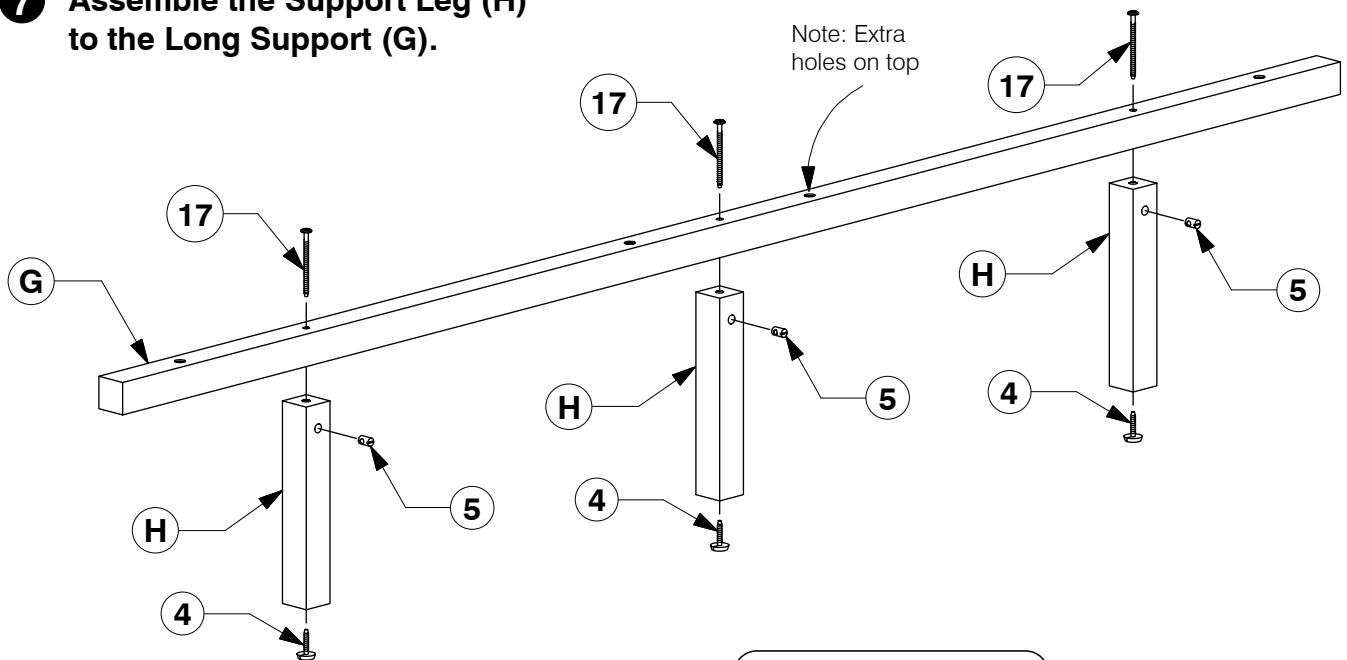
Queen Bed

Assembly Instructions

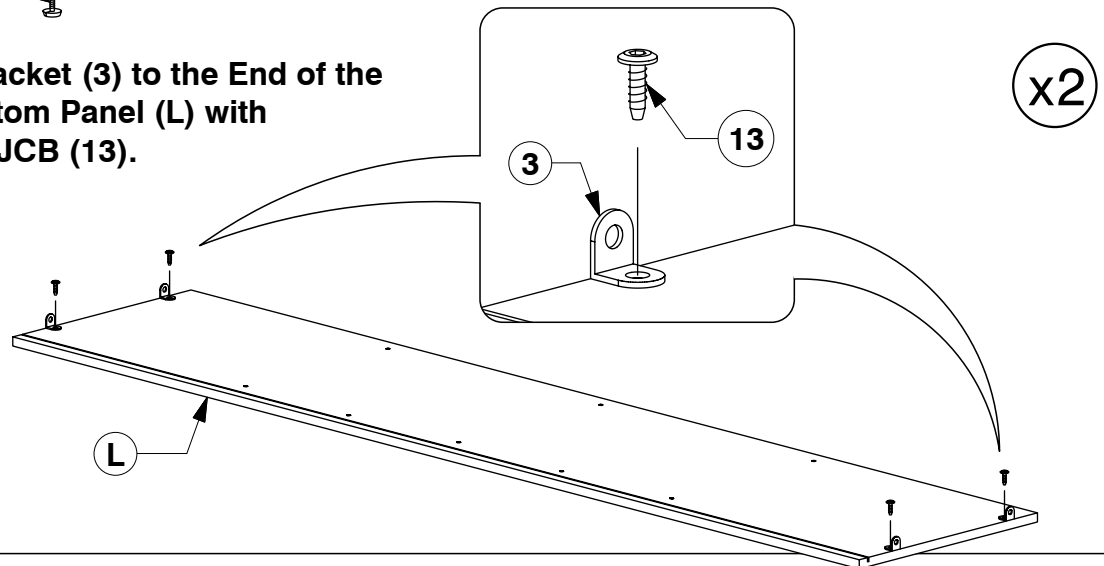
- 6** Fit the Center Rail Bracket to the Footboard Panel (B).



- 7** Assemble the Support Leg (H) to the Long Support (G).



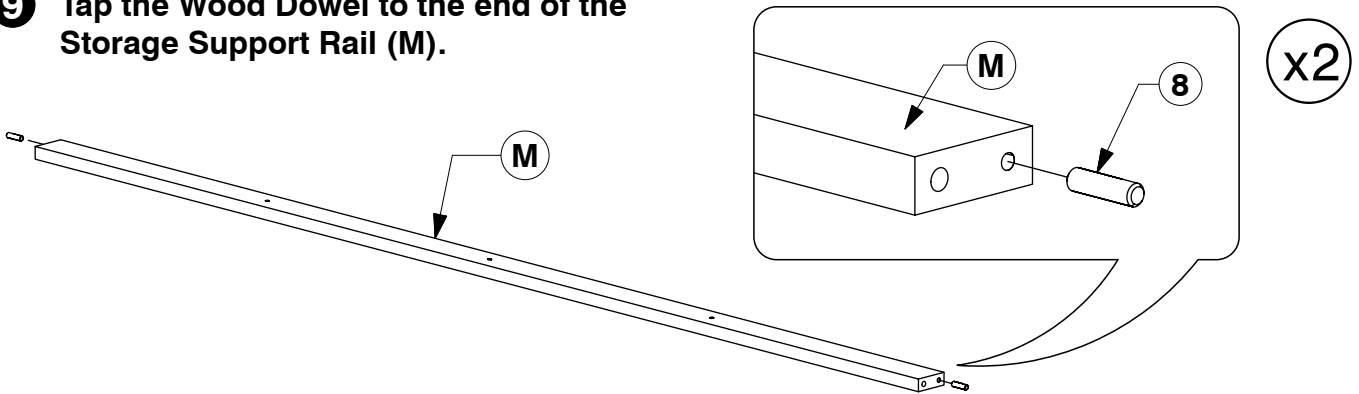
- 8** Fit the 'L' Bracket (3) to the End of the Storage Bottom Panel (L) with M6 x 15mm JCB (13).



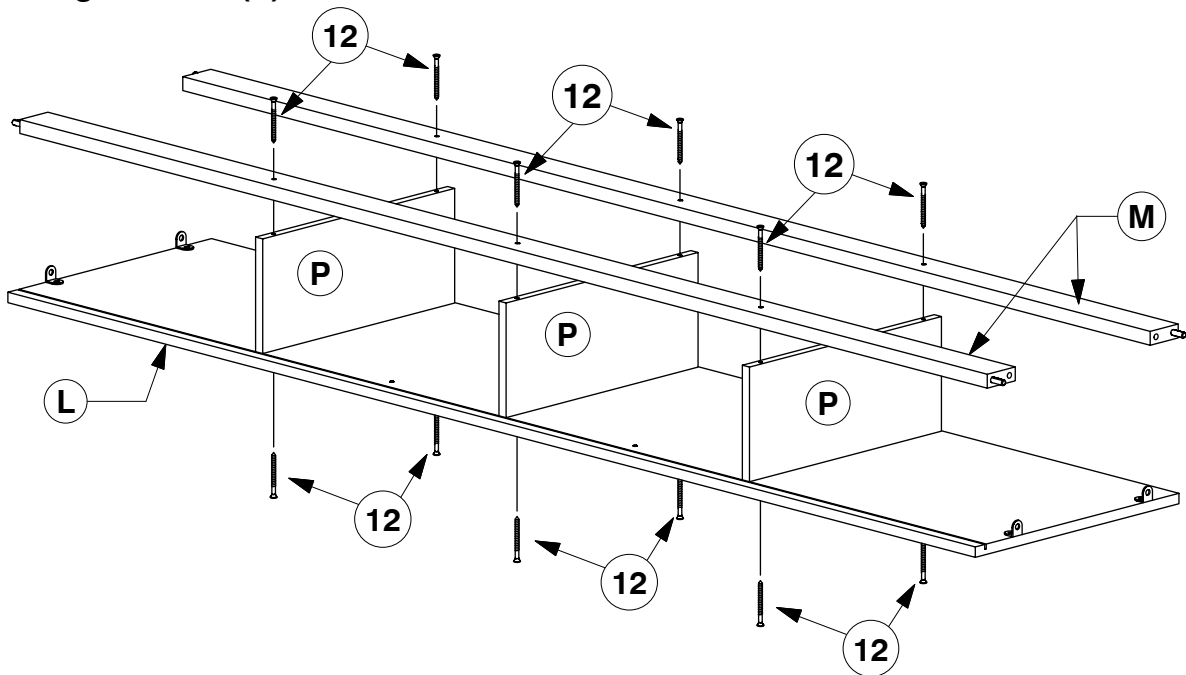
Queen Bed

Assembly Instructions

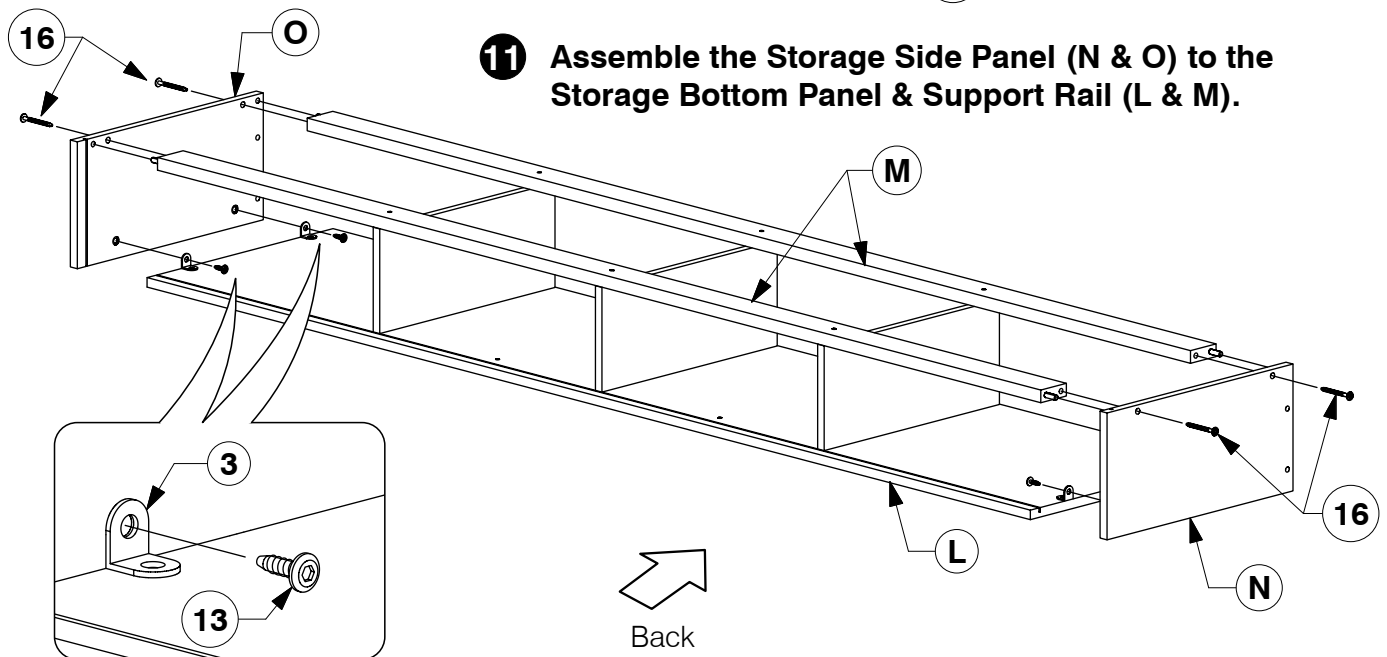
- 9** Tap the Wood Dowel to the end of the Storage Support Rail (M).



- 10** Assemble the Storage Bottom Panel (L) & Support Rail (M) to the Storage Divider (P).



- 11** Assemble the Storage Side Panel (N & O) to the Storage Bottom Panel & Support Rail (L & M).

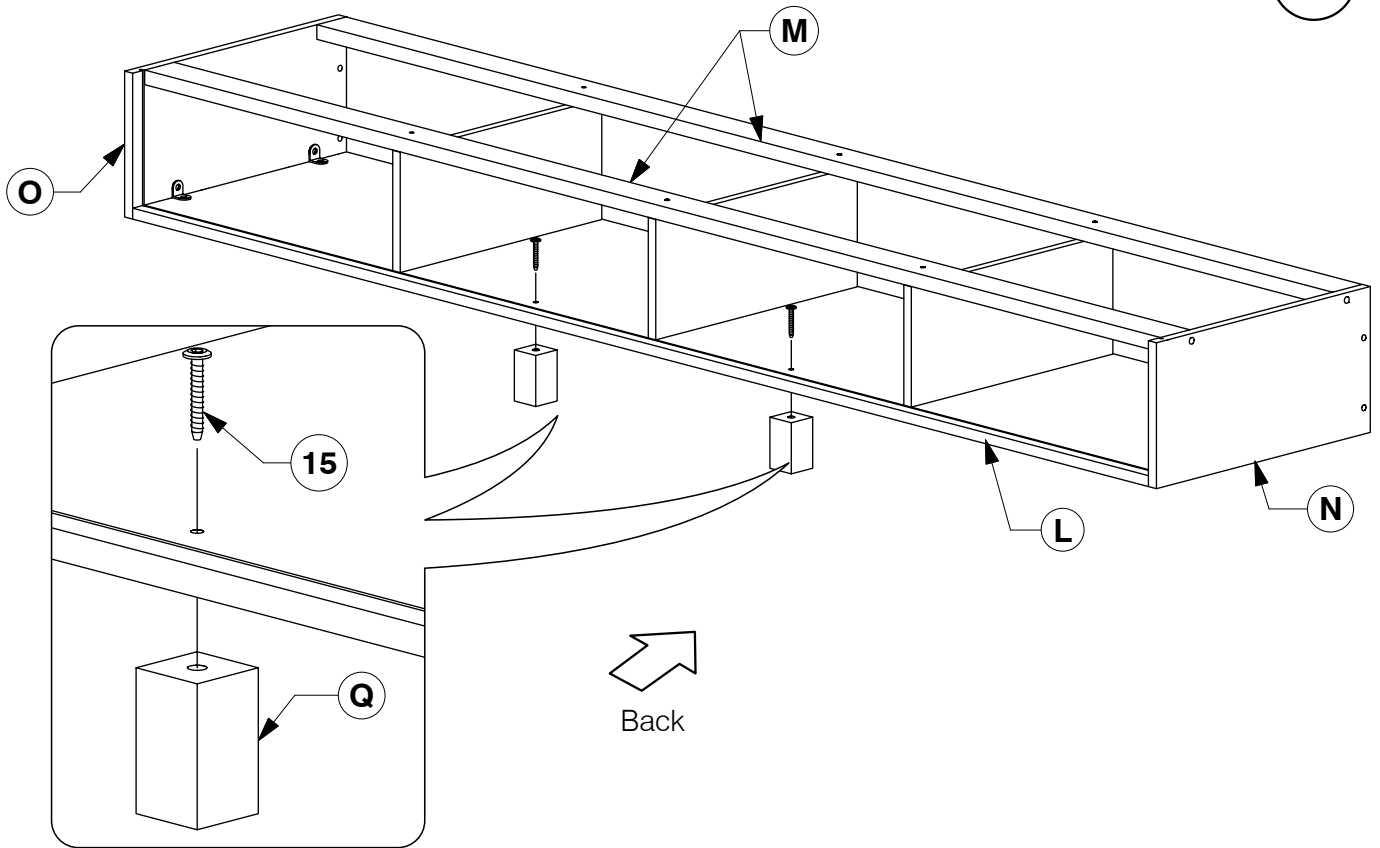


Queen Bed

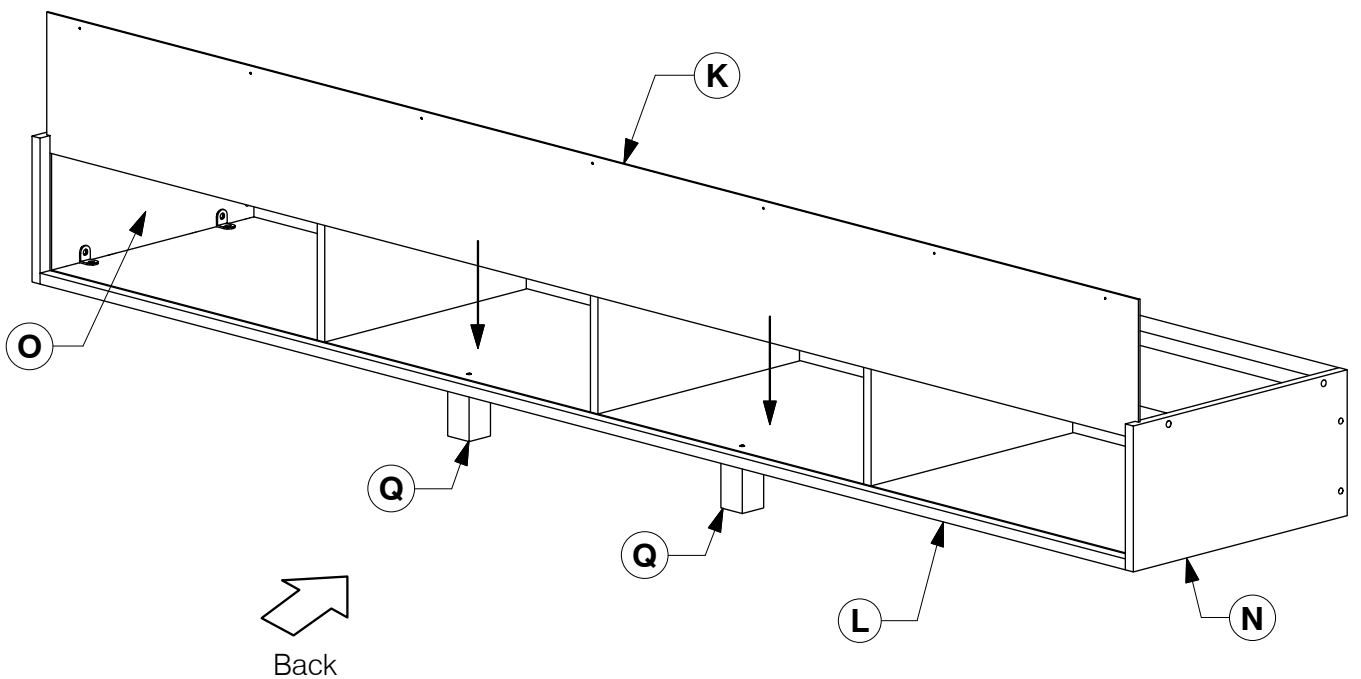
Assembly Instructions

12 Fit the Storage Foot (Q) to the Storage Bottom Panel (L).

x2



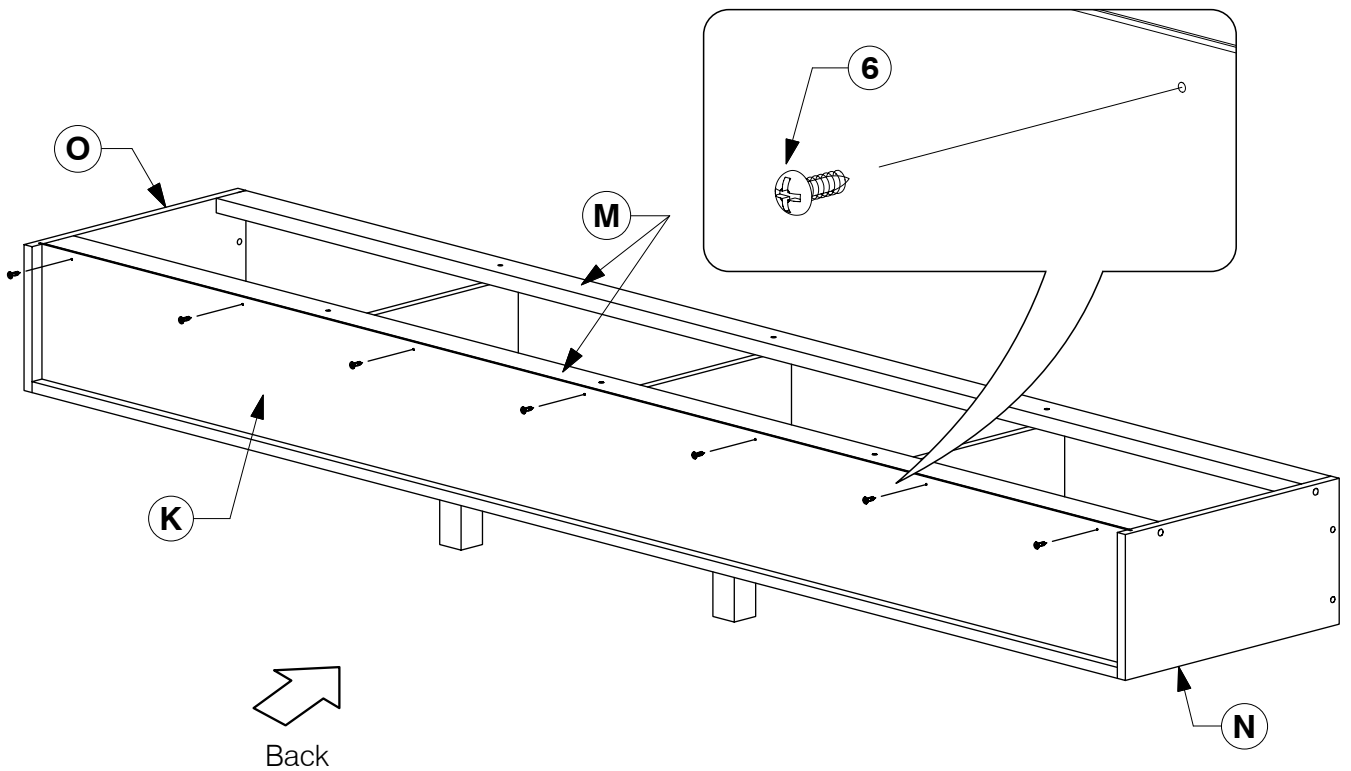
13 Slide the Storage Back Panel (K) into the groove.



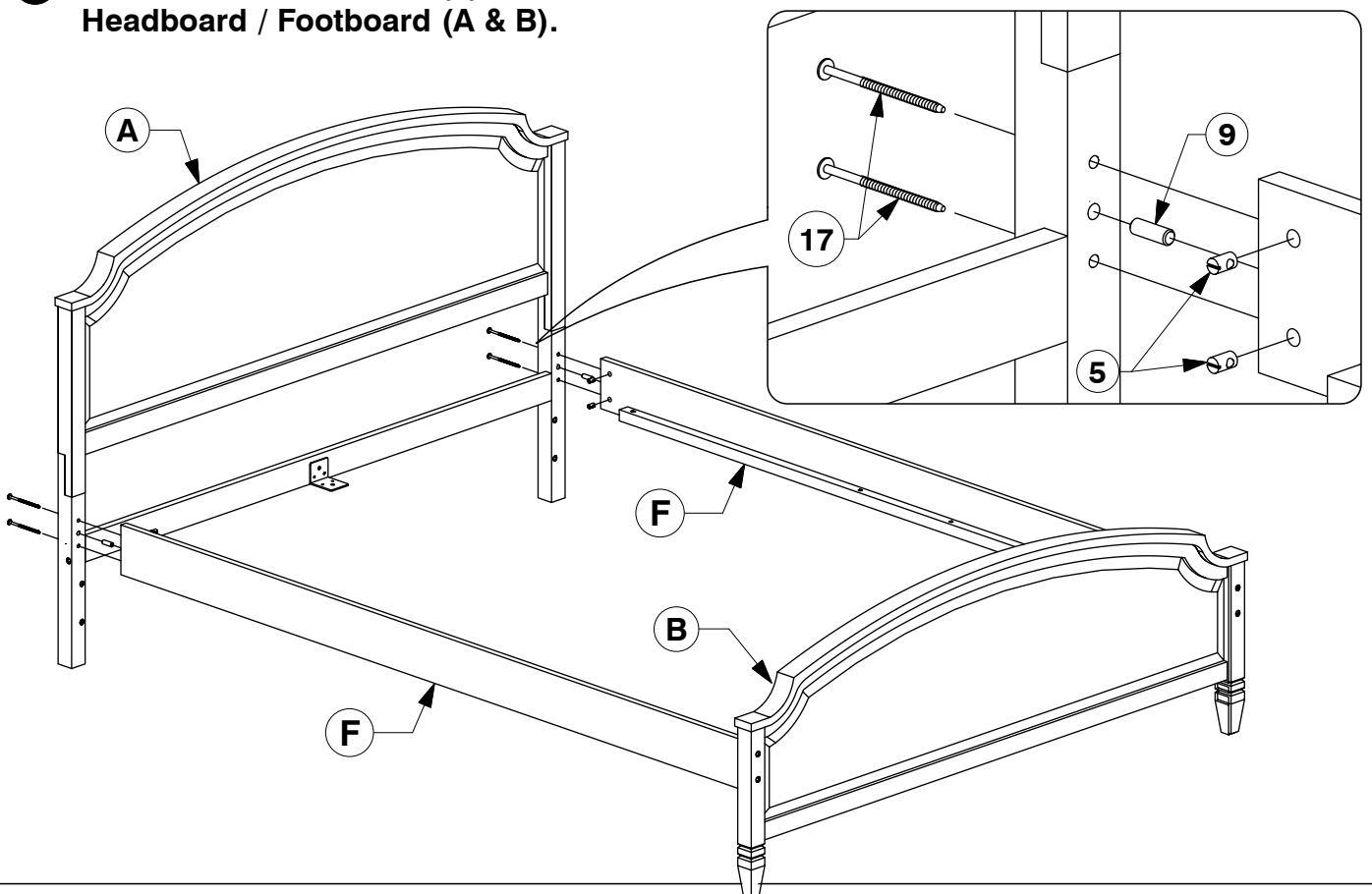
Queen Bed

Assembly Instructions

- 14** Fit the Storage Back Panel (K) in place.



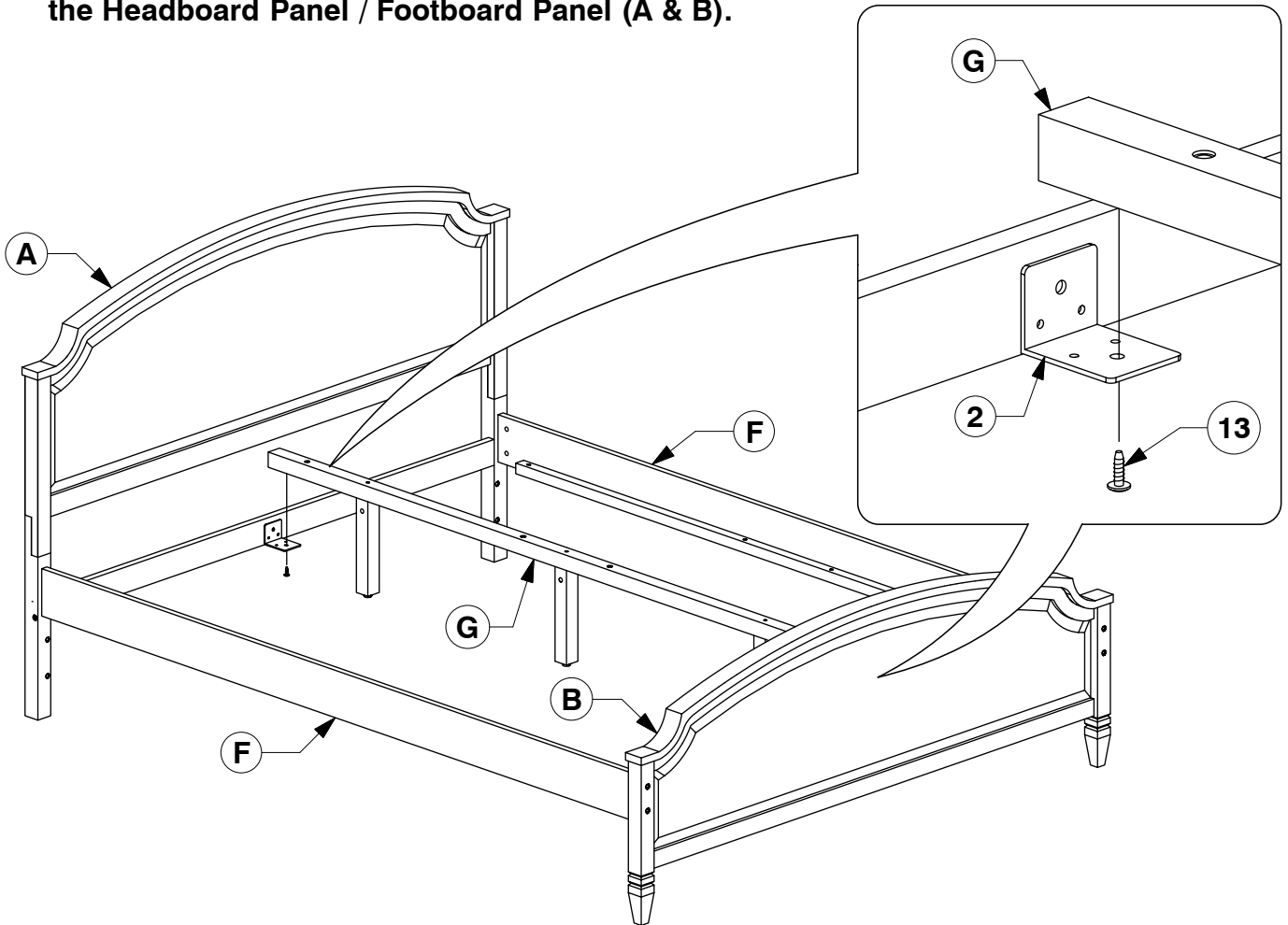
- 15** Assemble the Side Rail (F) to the Headboard / Footboard (A & B).



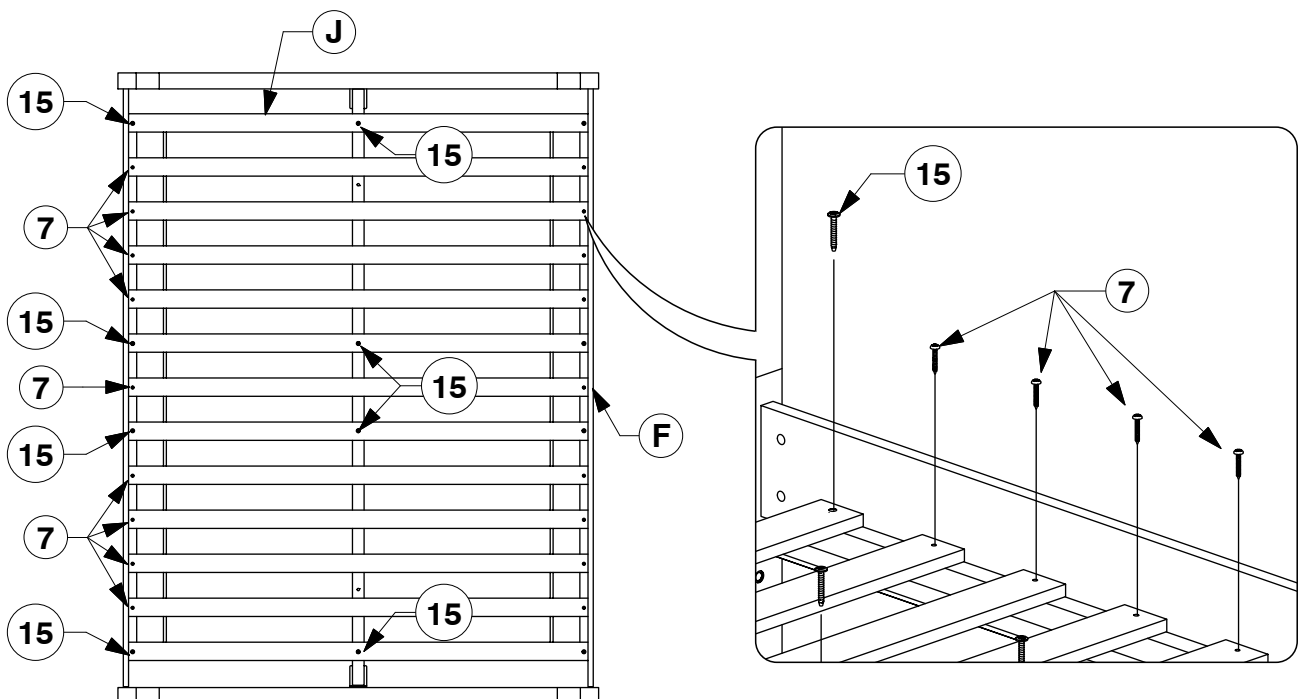
Queen Bed

Assembly Instructions

- 16** Bolt the Long Support (G) to the Center Rail Brackets on the Headboard Panel / Footboard Panel (A & B).



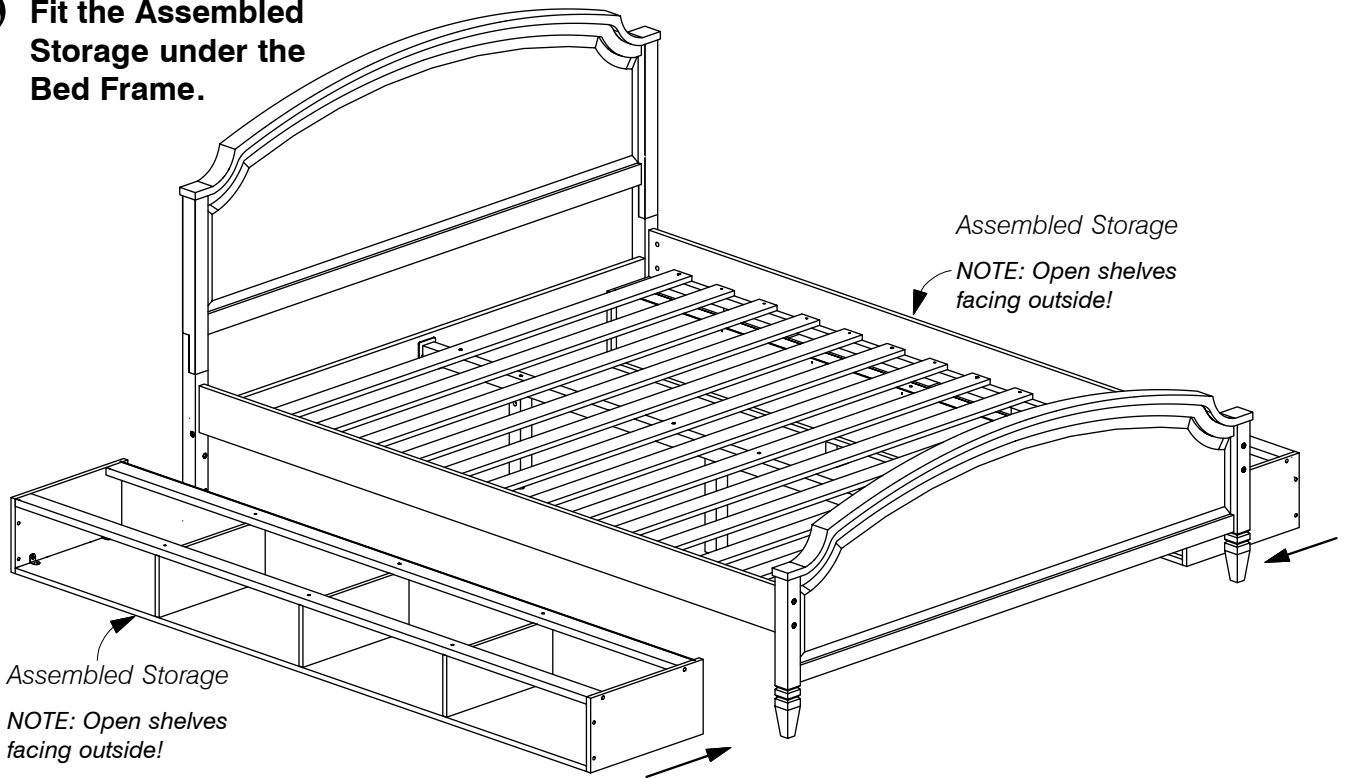
- 17** Bolt & screw the Bed Slats (J) to the Side Rail (F).



Queen Bed

Assembly Instructions

- 18** Fit the Assembled Storage under the Bed Frame.



- 19** Bolt the Assembled Storage to the Bed Frame with M6 x 30mm JCB (14).

