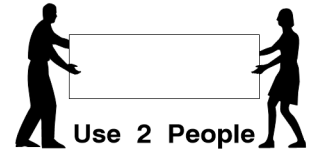
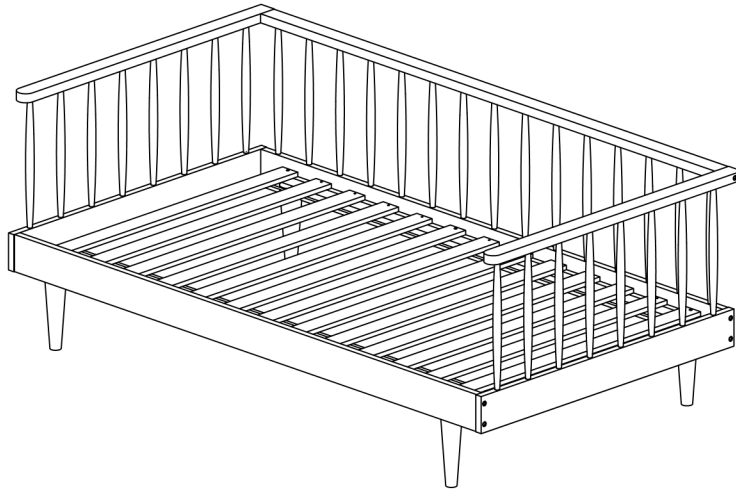


Daybed

Assembly Instructions

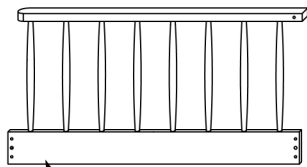
1 Assembled View



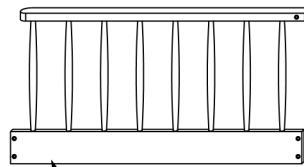
Note: Do not assemble using power tools. This can cause the bolts to be overtightened

2 Parts List

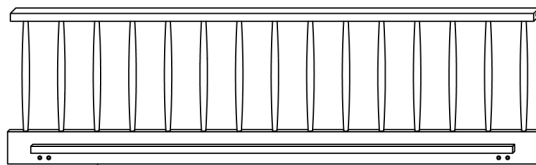
Parts in Box A:



A Headboard Panel (Left Hand) x 1



B Headboard Panel (Right Hand) x 1



C Back Panel x 1

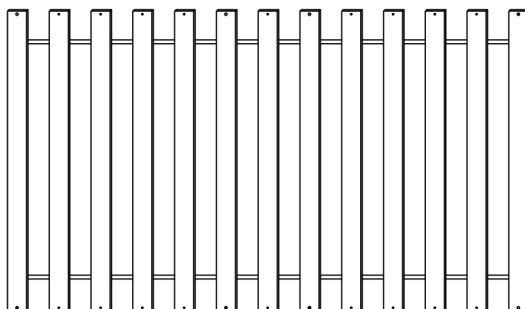


D Side Rail x 1



E Bed Post x 4

Parts in Box B:

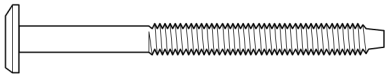


F Set of Bed Slats x 1

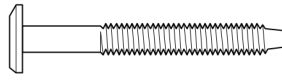
Daybed

Assembly Instructions

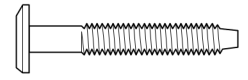
3 Hardware List



1 M6 x 70mm JCB
x 10



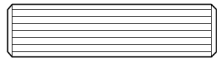
2 M6 x 50mm JCB
x 8



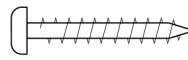
3 M6 x 40mm JCB
x 8



4 Barrel Nut
x 8



5 Wood Dowel
(10 x 40mm) x 4

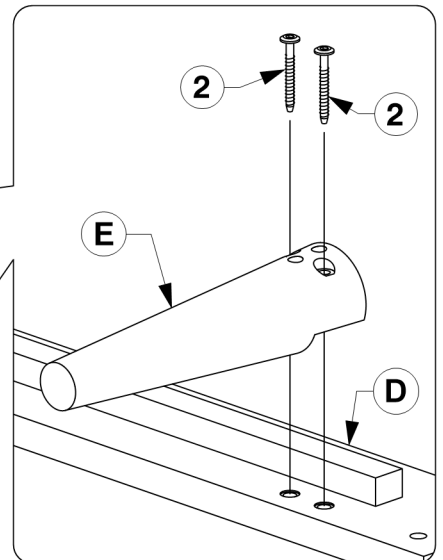
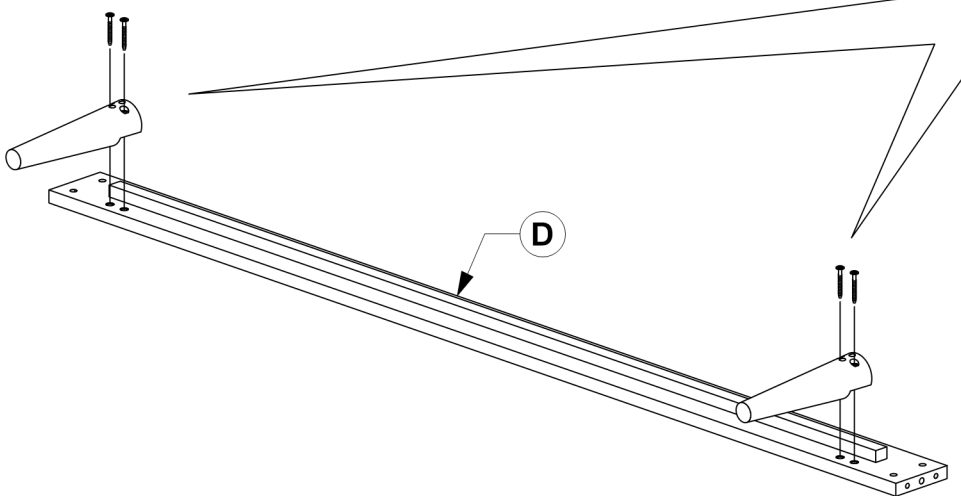


6 Wood Screw
(M4 x 32mm) x 26

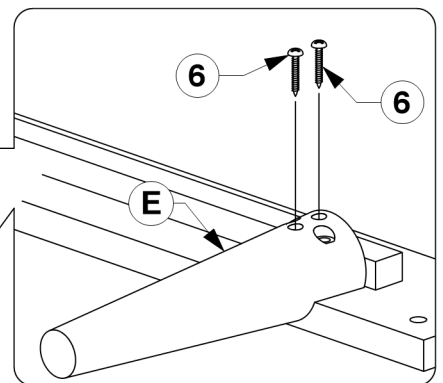
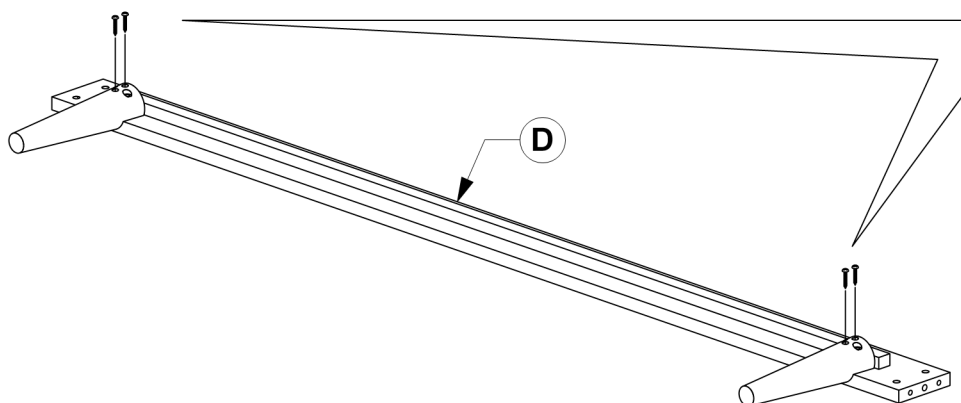


7 M4 Allen Key
x 1

4 Bolt the Post (E) to the Side Rail (D).



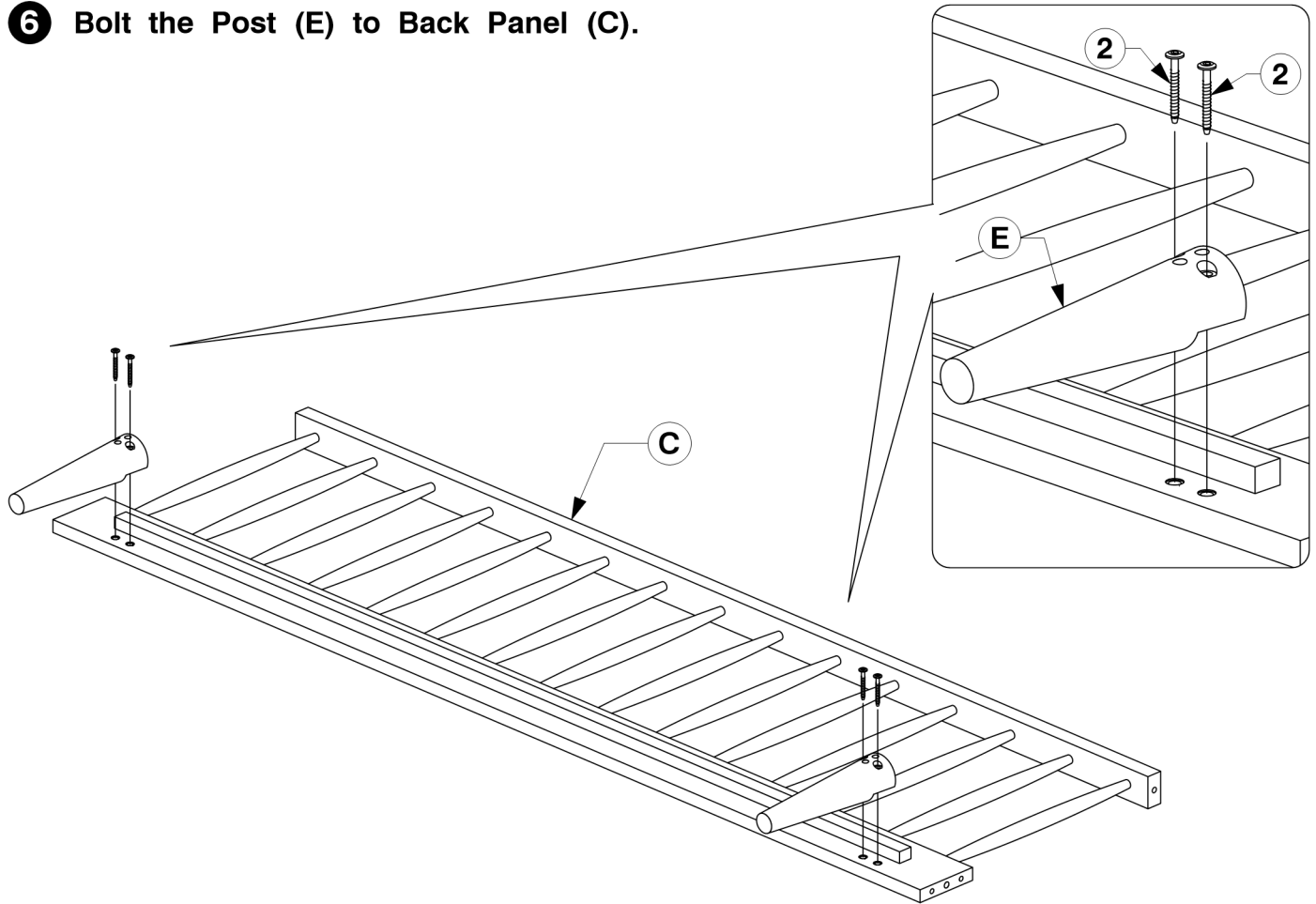
5 Screw the Post (E) to the Side Rail (D).



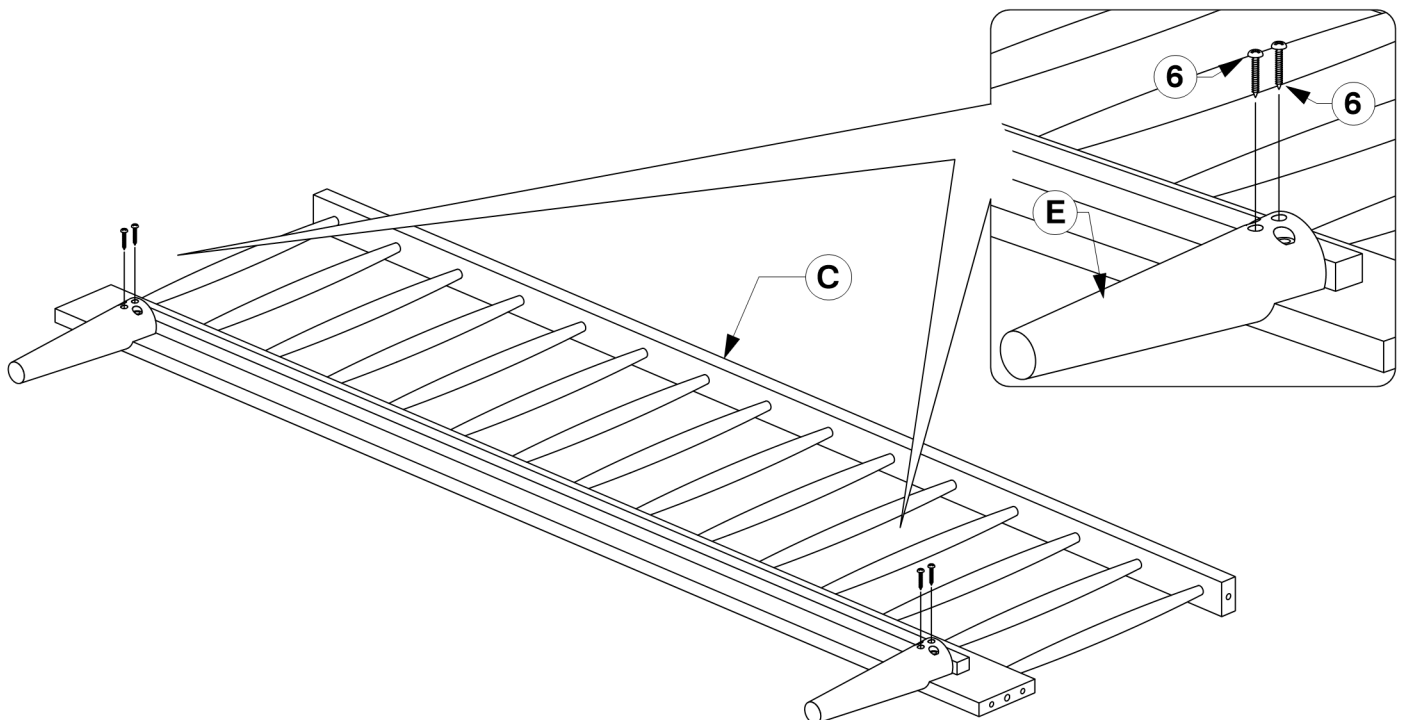
Daybed

Assembly Instructions

6 Bolt the Post (E) to Back Panel (C).



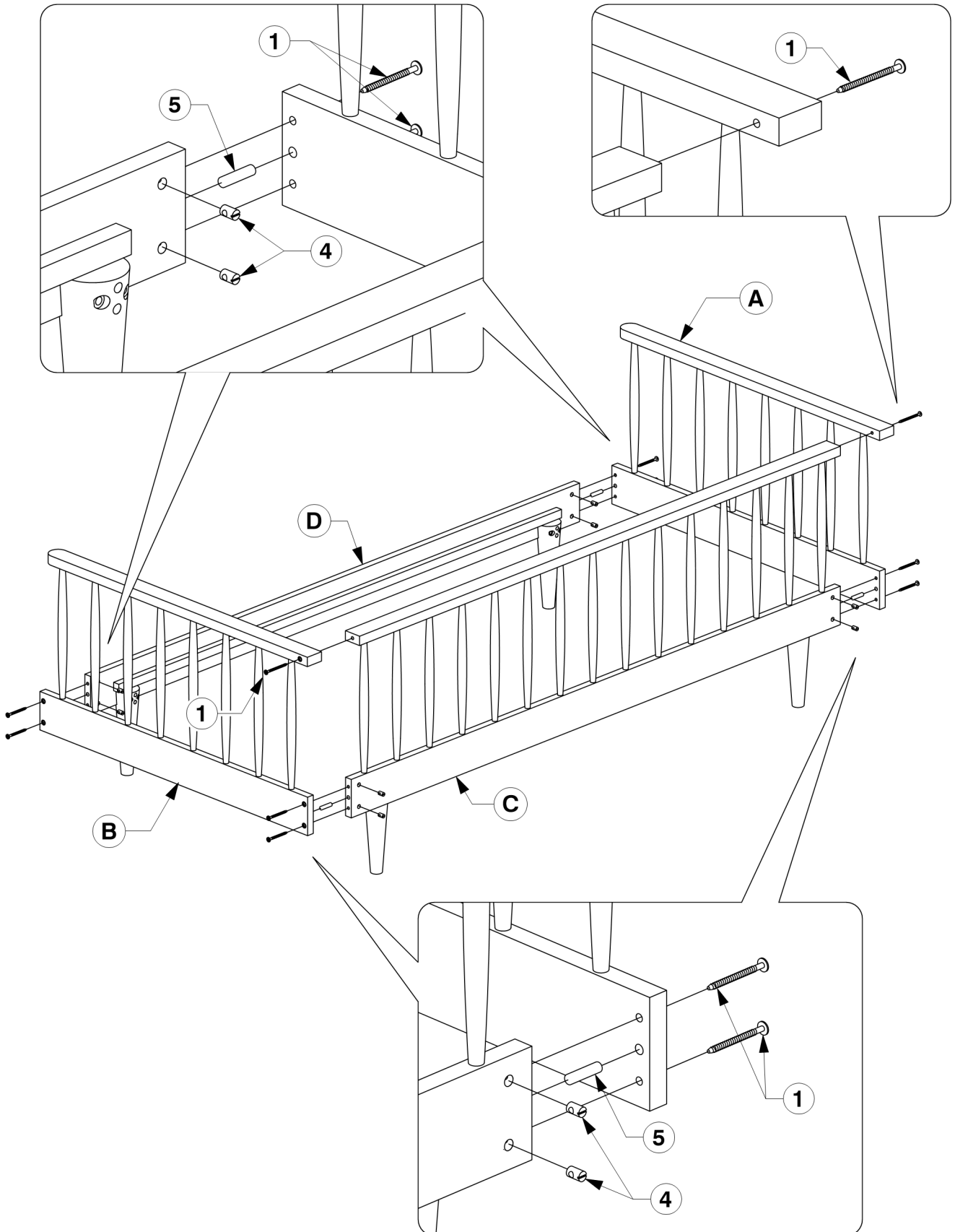
7 Screw the Post (E) to the Back Panel (C).



Daybed

Assembly Instructions

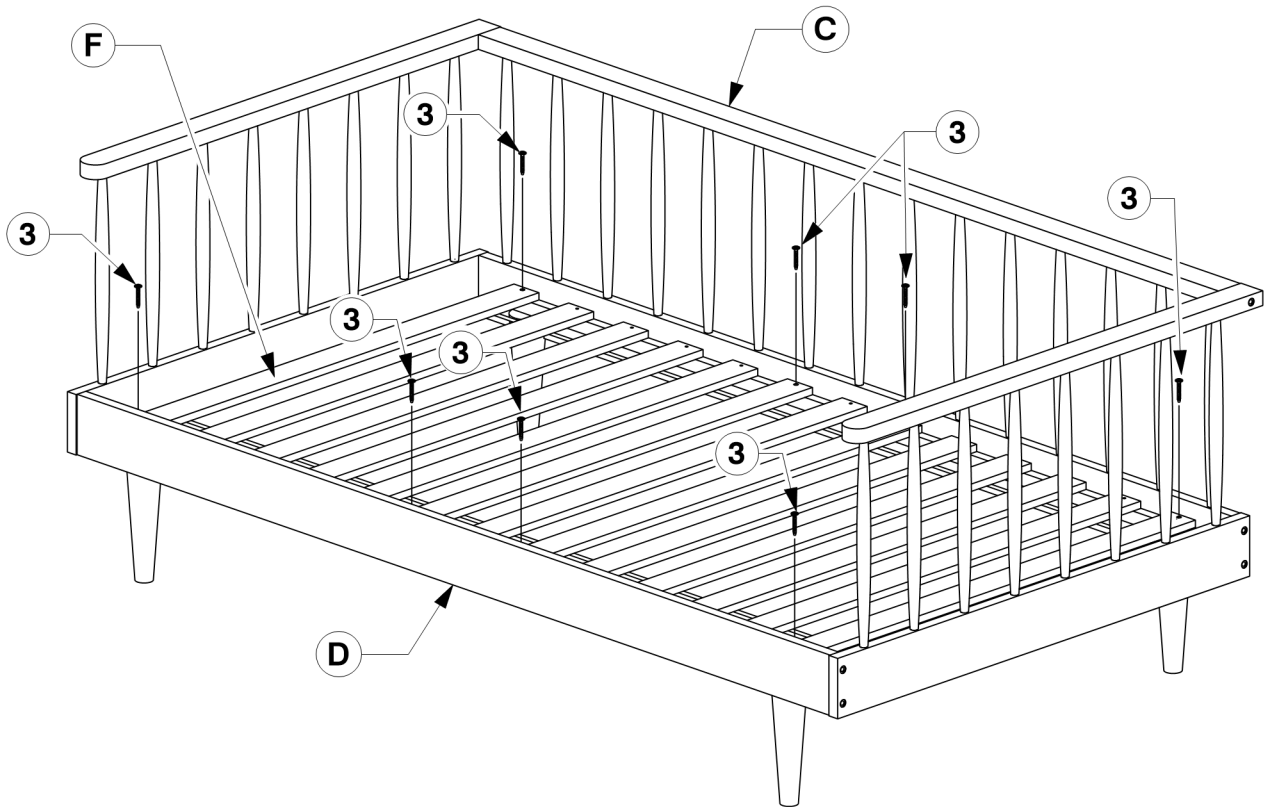
- 8** Assembled the Headboard Panel (A & B) to the Side Rail (D) & Back Panel (C).



Daybed

Assembly Instructions

9 Bolts the Slats (F) to the Side Rail (D) & Back Panel (C).



10 Screws the Slats (F) to the Side Rail (D) & Back Panel (C).

