

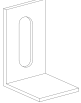

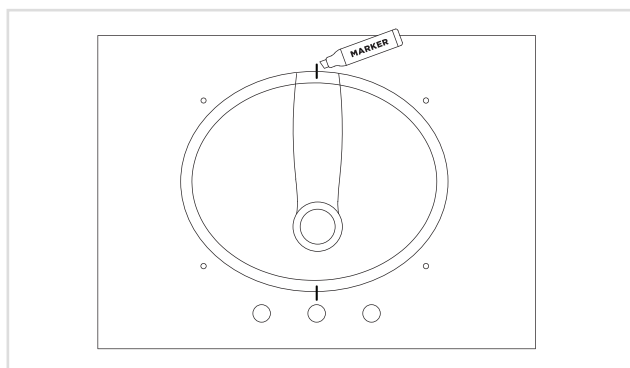


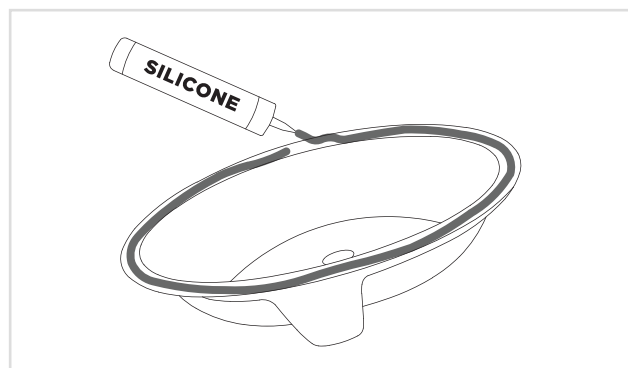
INSTALLATION GUIDE

INCLUDED	NEEDED	HARDWARE	
<ul style="list-style-type: none">• Base cabinet• Countertop• Sink basin• Backsplash• Hardware	<ul style="list-style-type: none">• Permanent marker• Silicone - (Recommend Liquid Nails #LN-933 or Loctite #PL530 or GE Silicone II #M90010)• Epoxy - (Recommend Loctite #1365868 or Gorilla Glue #4200101)• Caulking gun• Power Drill• Drywall Screws	<p data-bbox="996 485 1020 512">A</p>  <p data-bbox="1020 555 1120 583">Bolts (4)</p> <p data-bbox="996 634 1020 661">C</p>  <p data-bbox="1020 672 1153 700">Washers (4)</p>	<p data-bbox="1243 485 1268 512">B</p>  <p data-bbox="1235 555 1473 583">Undermount clips (4)</p> <p data-bbox="1243 634 1268 661">D</p>  <p data-bbox="1276 672 1425 700">Wing nuts (4)</p>



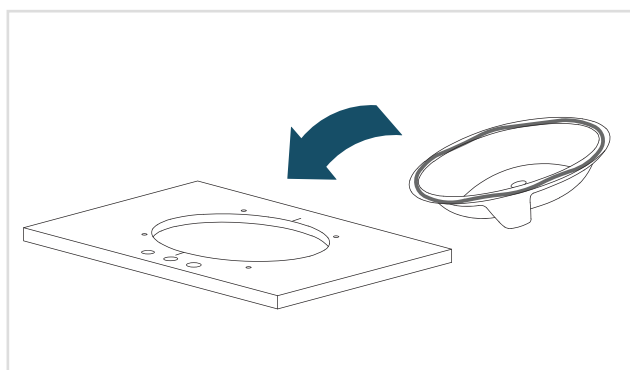
STEP 1 - PLACE & TRACE

Place the sink basin on the bottom of the countertop, making sure to center over the opening. Draw guide lines on the countertop and the basin in two locations.



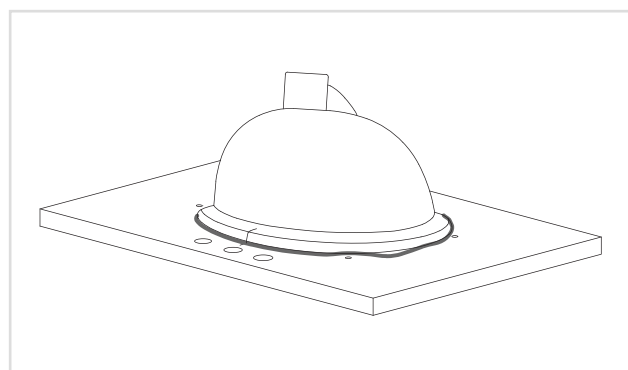
STEP 2 - PREPARE SINK BASIN

Using a caulking gun, apply a heavy amount of silicone of your choice on the top side of the sink basin edge.



STEP 3 - FLIP & SET IN PLACE

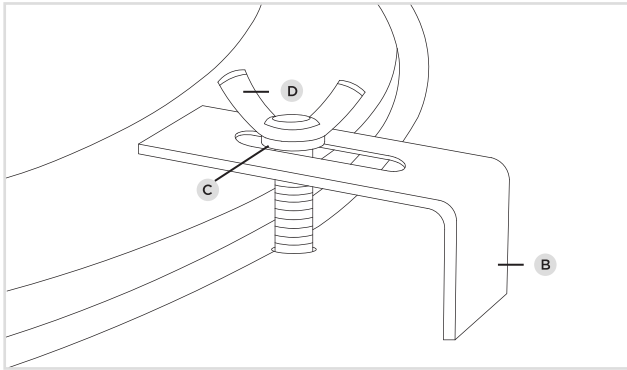
Carefully flip the sink basin over and place it so the guide lines match up in both locations.



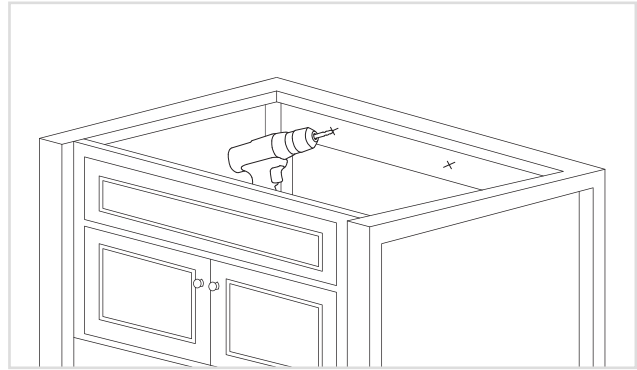
STEP 4 - DRY & SET

Press down on the sink basin to seal the silicone. Remove any excess. Follow dry time recommendations found on your product, typically 12 to 24 hours.

INSTALLATION GUIDE



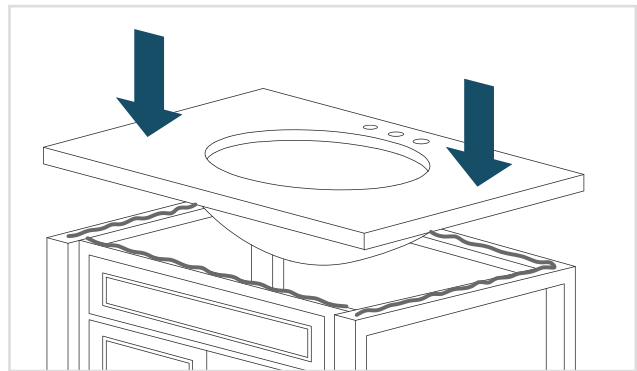
STEP 5 - ATTACH UNDERMOUNT CLIPS
After following recommended drying time, attach the undermount clips (PART B) facing down, place the washer (PART C) on the clips & use the wing nuts (PART D) to secure in place. Apply silicone to the wing nut for added stability.



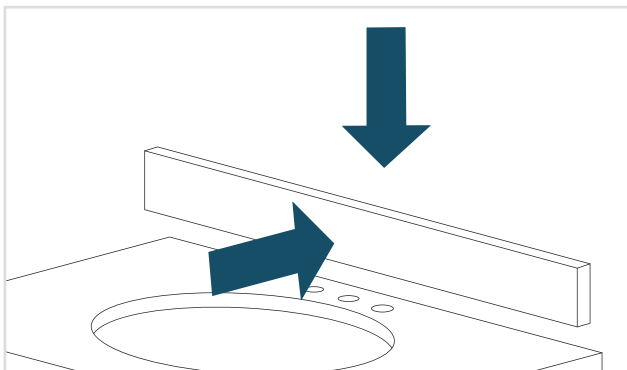
STEP 6 - ATTACH BASE CABINET TO WALL
Place cabinet in desired location and determine where the wall studs are. Using drywall screws, attach the cabinet to the wall by screwing into the wall studs.



STEP 7 - PREPARE BASE CABINET
Using a caulking gun, apply silicone around the top of the base cabinet.



STEP 8 - SET COUNTERTOP IN PLACE
Carefully place the countertop, with the sink attached, onto the cabinet and press down firmly. Wipe away and excess silicone immediately.



STEP 9 - SET BACKSPLASH
After the vanity is in place, use a caulking gun to apply silicone to the back and bottom unfinished sides of the backsplash. Press firmly down and back to set in place. Remove any excess silicone.