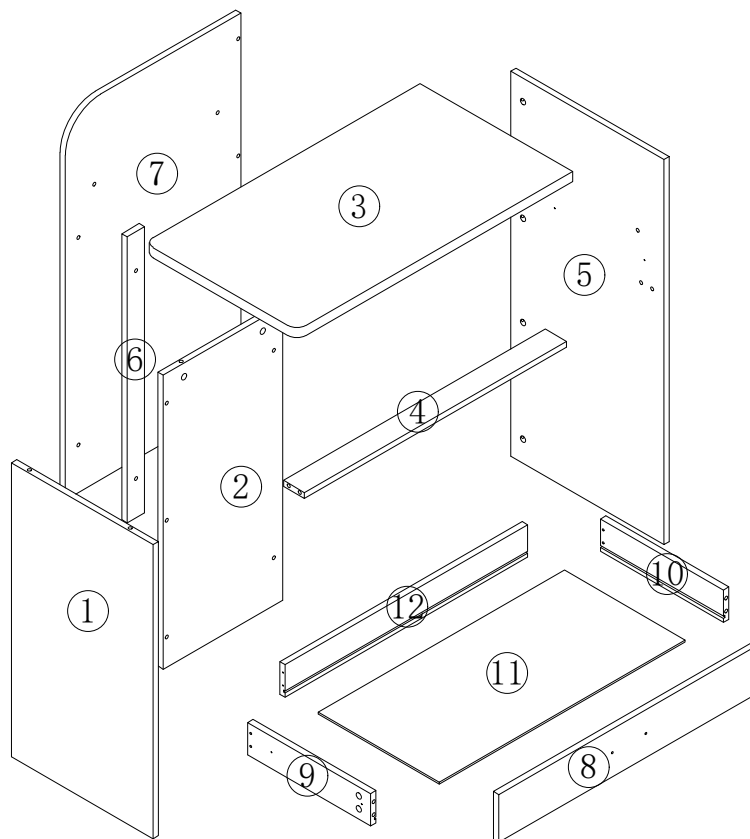
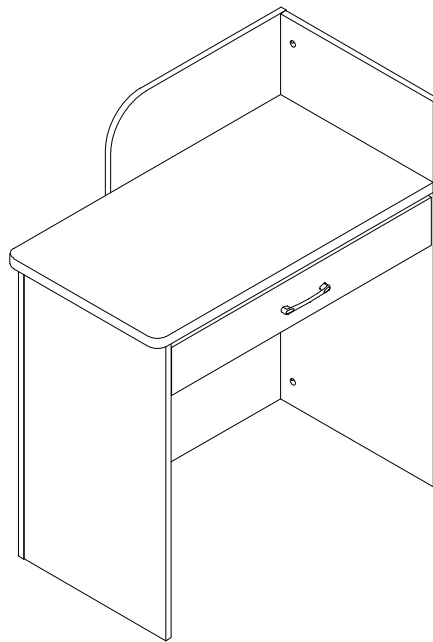
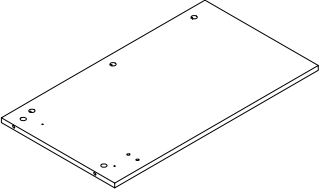
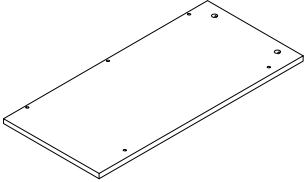
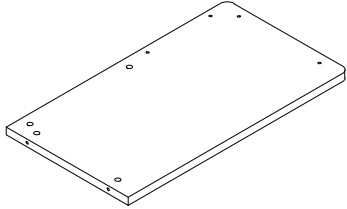
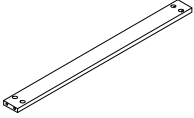
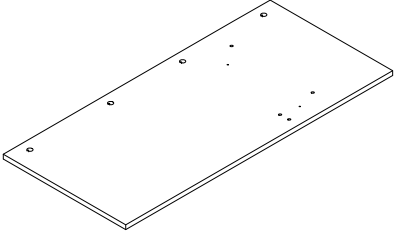
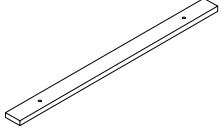
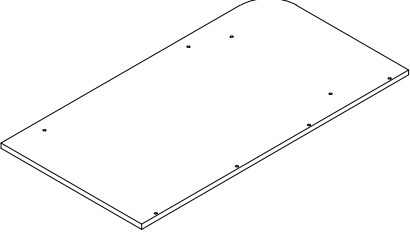
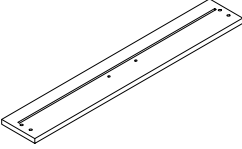
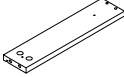
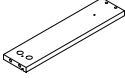
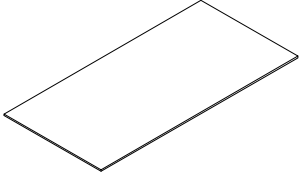
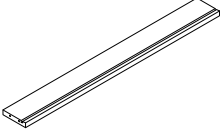


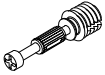






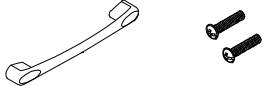
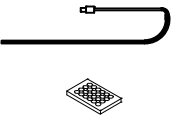



# ASSEMBLY INSTRUCTION



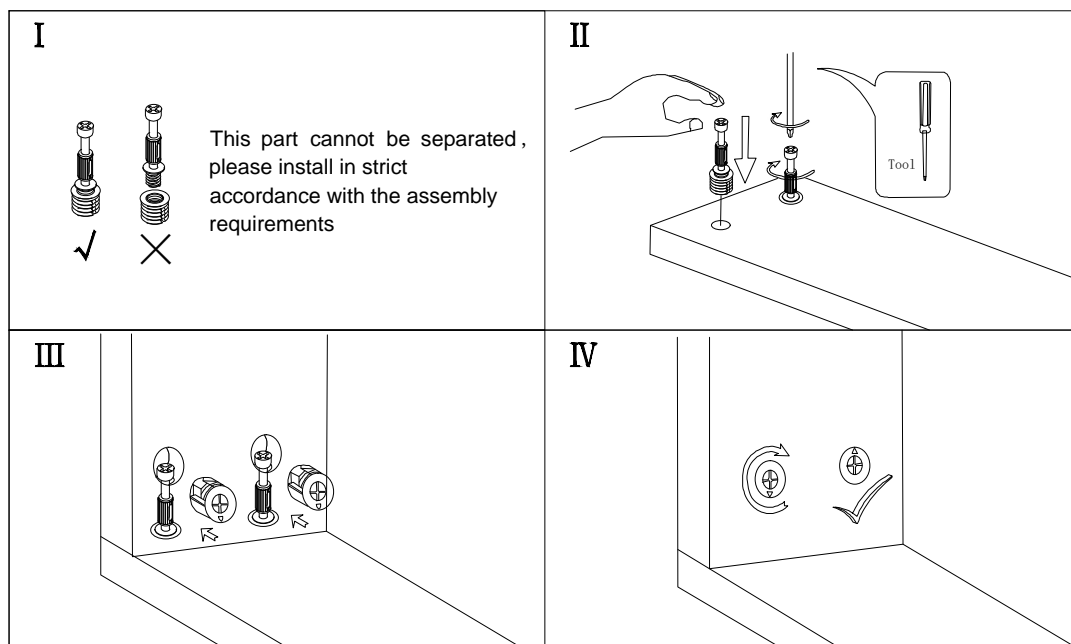
# ASSEMBLY INSTRUCTION

<p>① 1PC</p> 	<p>② 1PC</p> 	<p>③ 1PC</p> 
<p>④ 1PC</p> 	<p>⑤ 1PC</p> 	<p>⑥ 1PC</p> 
<p>⑦ 1PC</p> 	<p>⑧ 1PC</p> 	<p>⑨ 1PC</p> 
<p>⑩ 1PC</p> 	<p>⑪ 1PC</p> 	<p>⑫ 1PC</p> 

# ASSEMBLY INSTRUCTION

<p>A 23PCS</p>  <p>M6*40</p>	<p>B 23PCS</p>  <p>Ø15*9.5</p>	<p>C 8PCS</p>  <p>Ø3.5*14</p>	<p>D 6PCS</p> 
<p>E 2PCS</p>  <p>M6*40</p>	<p>F 2PCS</p>  <p>14"</p>	<p>G 4PCS</p>  <p>Ø3.5*40</p>	<p>H 1set</p>  <p>96# M4*18</p>
<p>I 1set</p> 	<p>J 12PCS</p> 	<p>K 12PCS</p> 	

## "A" Hardware installation example



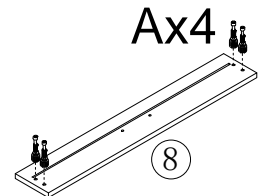
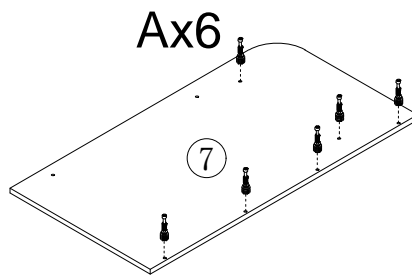
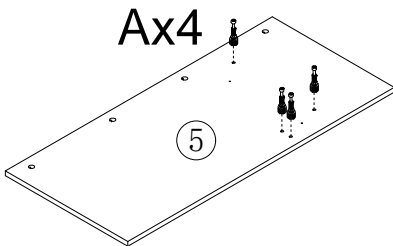
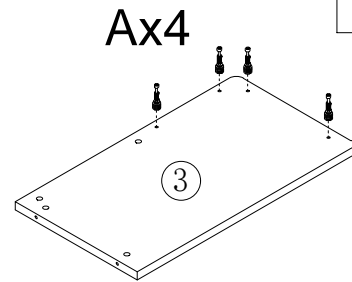
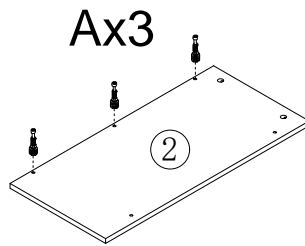
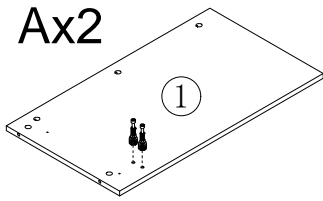
# ASSEMBLY INSTRUCTION

## Step 1

A 23PCS



M6\*40



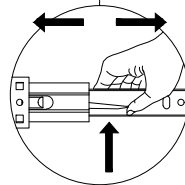
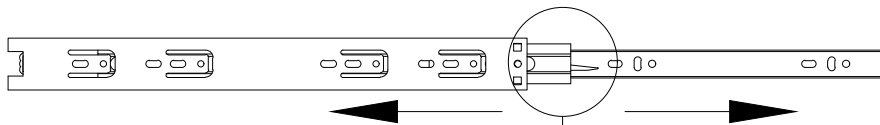
## Step 2

F 2PCS

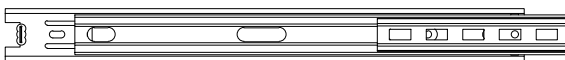


14"

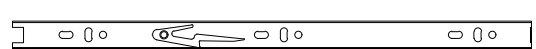
Fx2



F<sub>1</sub>




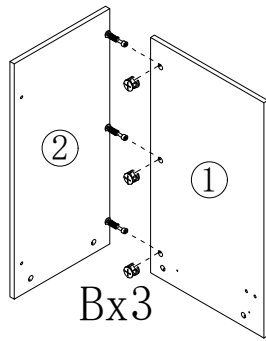
F<sub>2</sub>




# ASSEMBLY INSTRUCTION

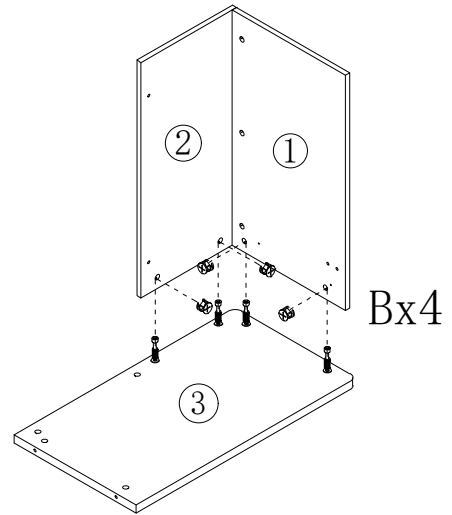
## Step 3

B 3PCS  
  
Ø15\*9.5





## Step 4

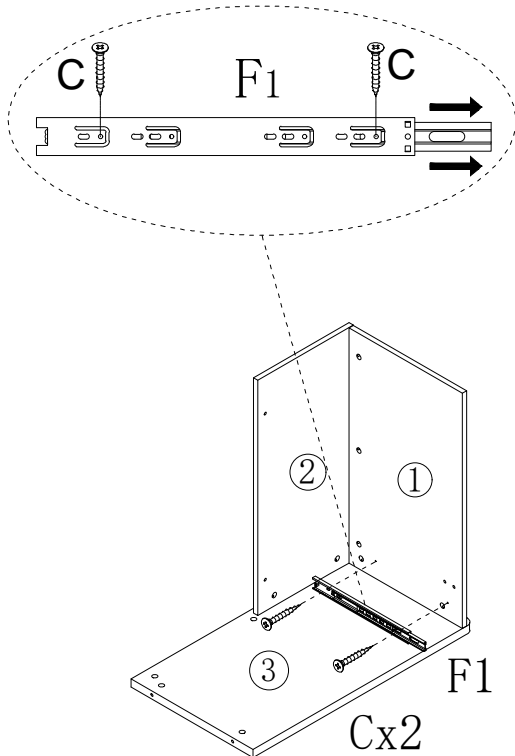
B 4PCS  
  
Ø15\*9.5




## Step 5

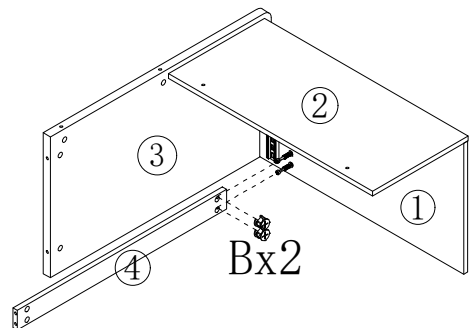
C 2PCS  
  
Ø3.5\*14

F1 1PC  
  
14"




## Step 6

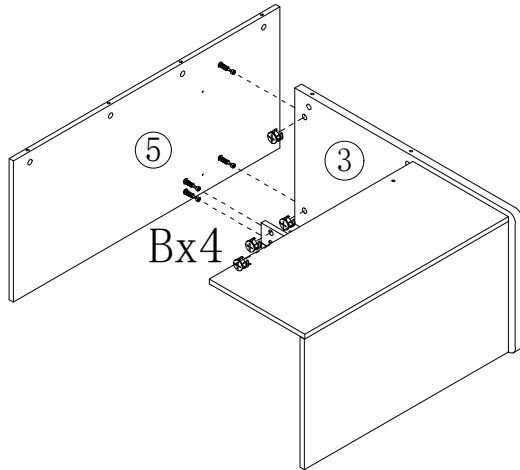
B 2PCS  
  
Ø15\*9.5





# ASSEMBLY INSTRUCTION

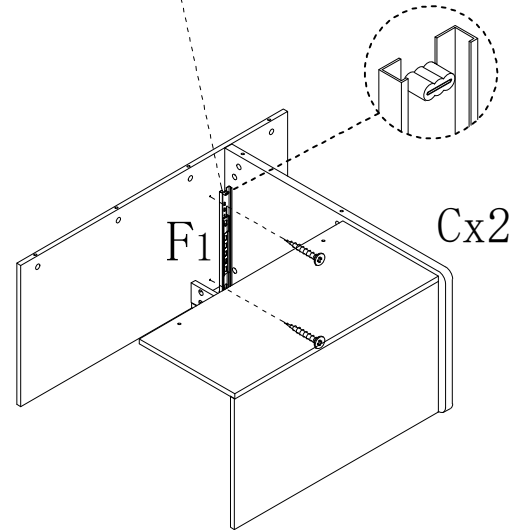
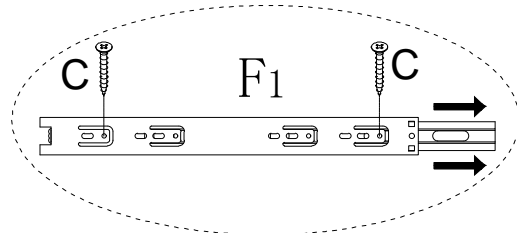
## Step 7

B 4PCS  
  
 Ø15\*9.5





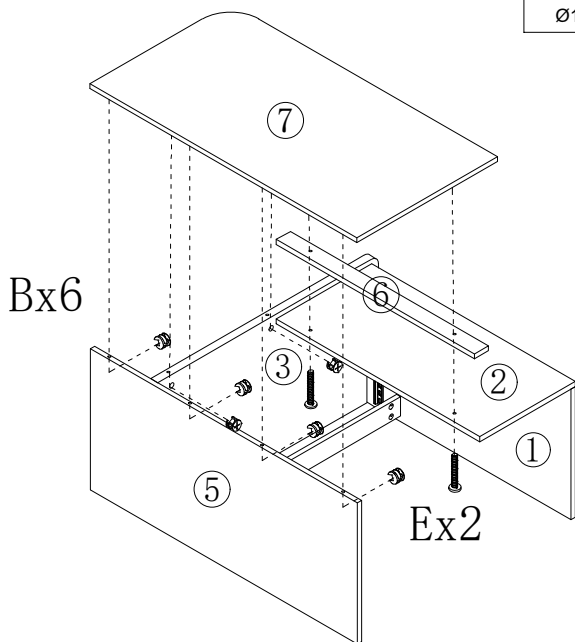
## Step 8

C 2PCS  
  
 Ø3.5\*14  
 F1 1PC  
  
 14"




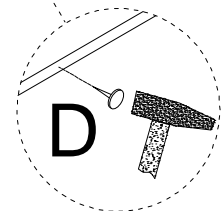
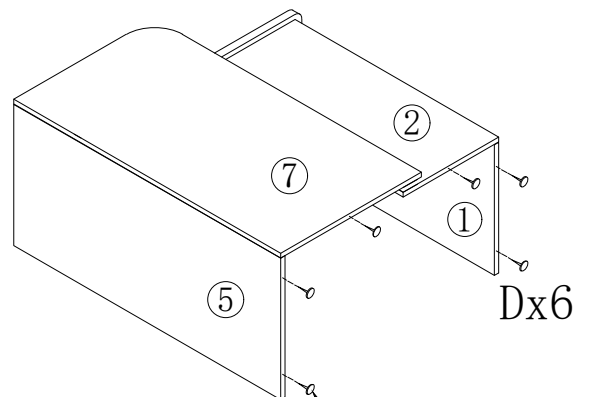
## Step 9

E 2PCS  
  
 M6\*40  
 B 6PCS  
  
 Ø15\*9.5



## Step 10

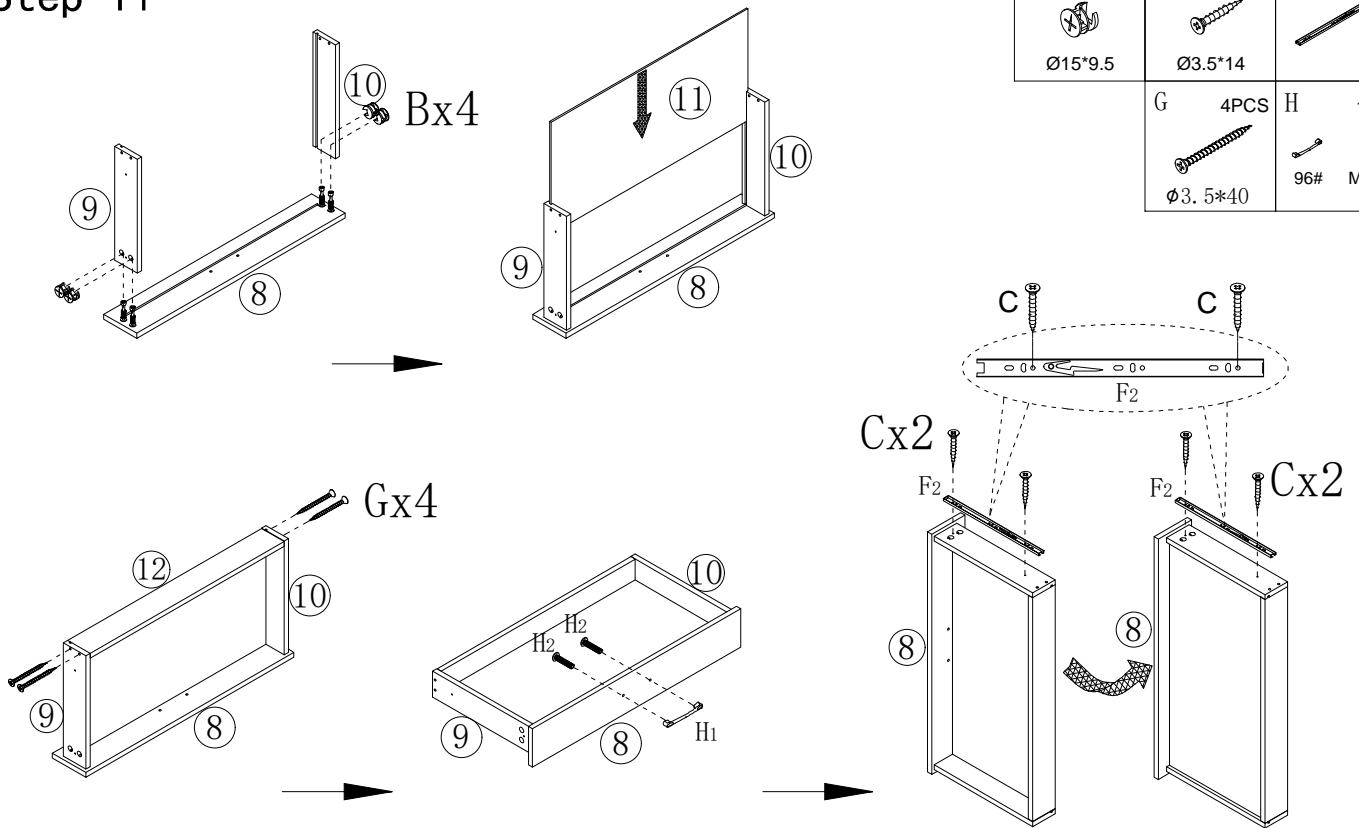
D 6PCS  




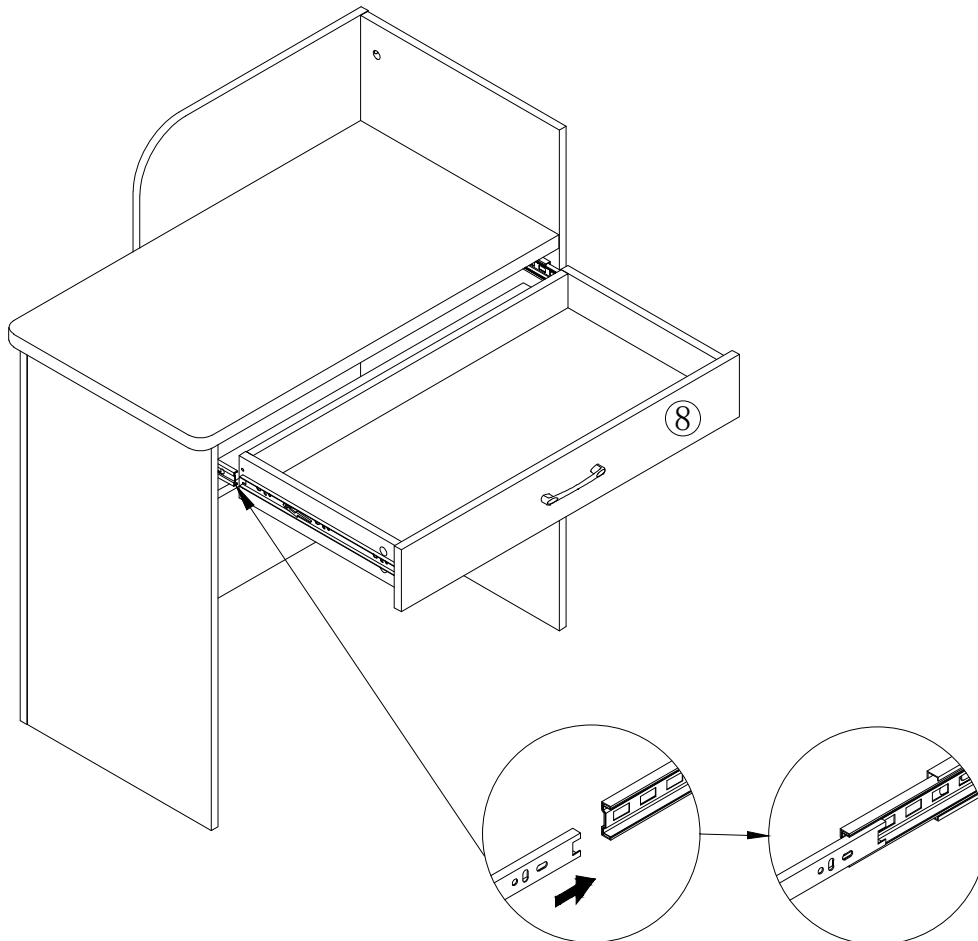
# ASSEMBLY INSTRUCTION

## Step 11

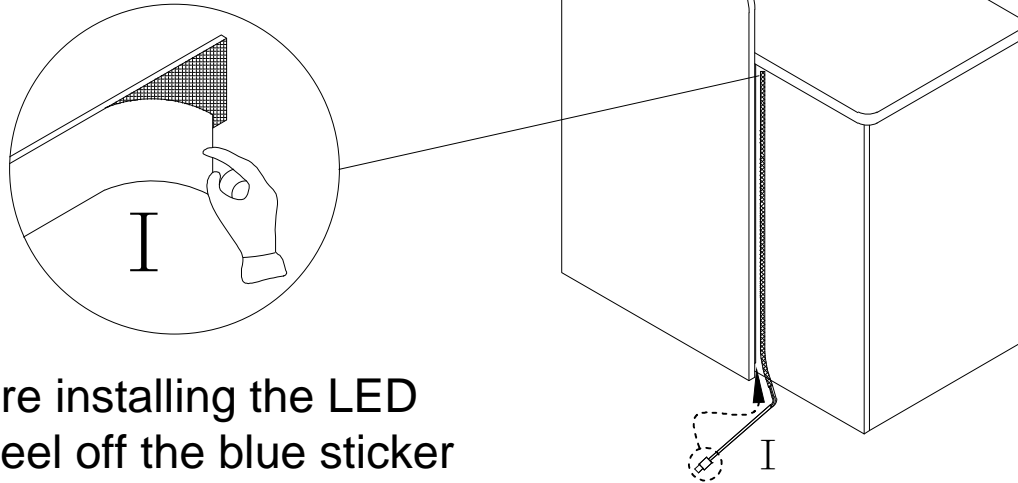
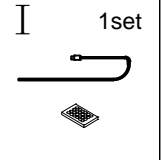
B	4PCS	C	4PCS	F <sub>2</sub>	2PCS
Ø15*9.5		Ø3.5*14		14"	
		G	4PCS	H	1set
		Ø3.5*40		96#	M4*18



## Step 12

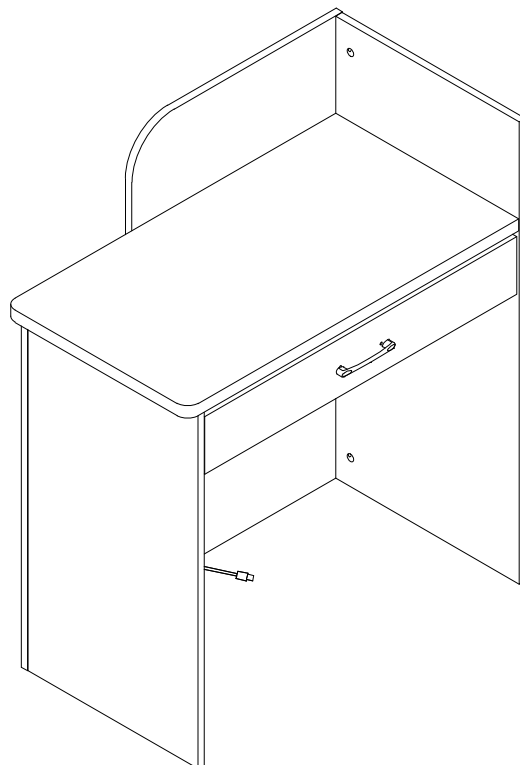


## Step 13



Before installing the LED strip Peel off the blue sticker on the back of the LED strip.

## Step 14



OK