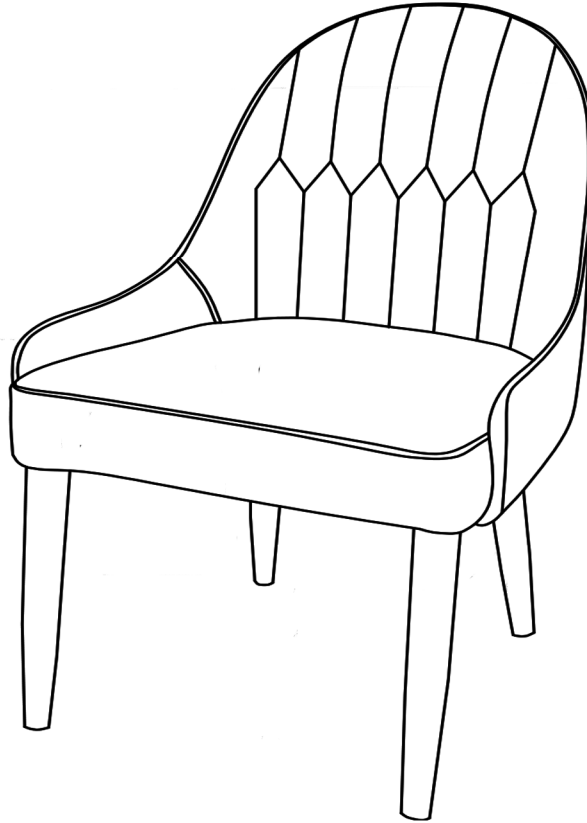


Assembly Instructions







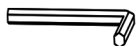
Caution:Pls read the AI before you proceed.



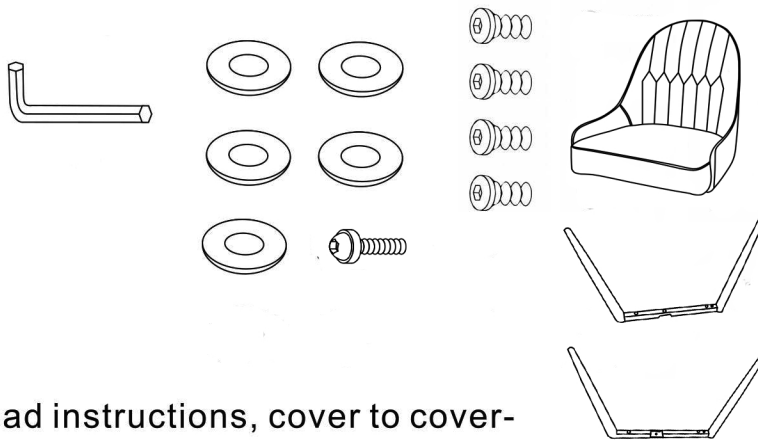
CAUTION:

Pls follow up the AI , when assemble the table leave your child away

Parts List

NO.	Picture	Description	Qty
A		Backrest	1
B		Left Leg	1
C		Right Leg	1
D	 M6X 45	Screw	4
E	 M6X25	Screw	1
F	 $\phi 6 \times 18$	Gasket	5
G	 M5	Wrench	1

Assembly Preparation Before Beginning Assembly



• Read instructions, cover to cover-



• Have 2 adults on hand for assembly-



• Do not assemble on flooring or carpet-

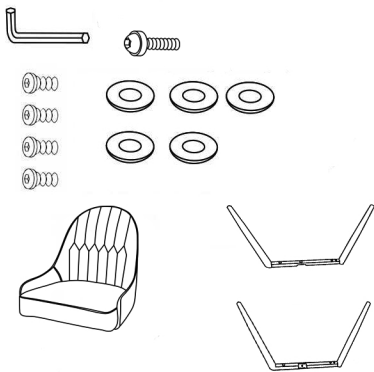


• Assemble on a clean non- marring surface (packing foam)-



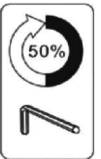
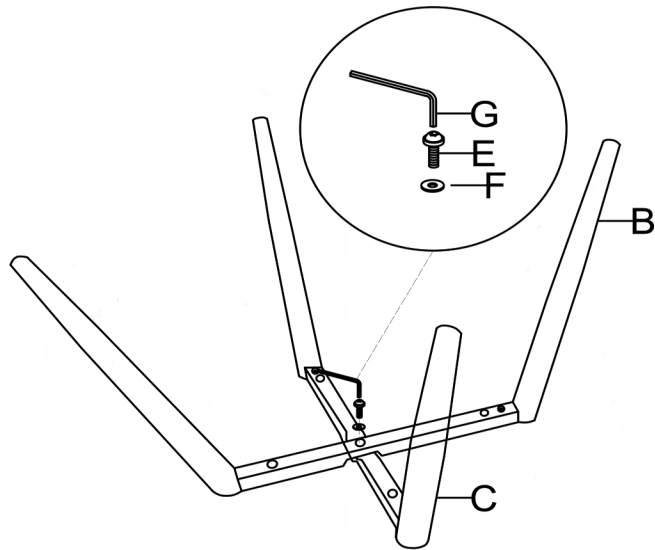
• Save all packaging until finished-

Step 1



Unpack and place all parts on a clean , soft surface

Step 2



Step 3

